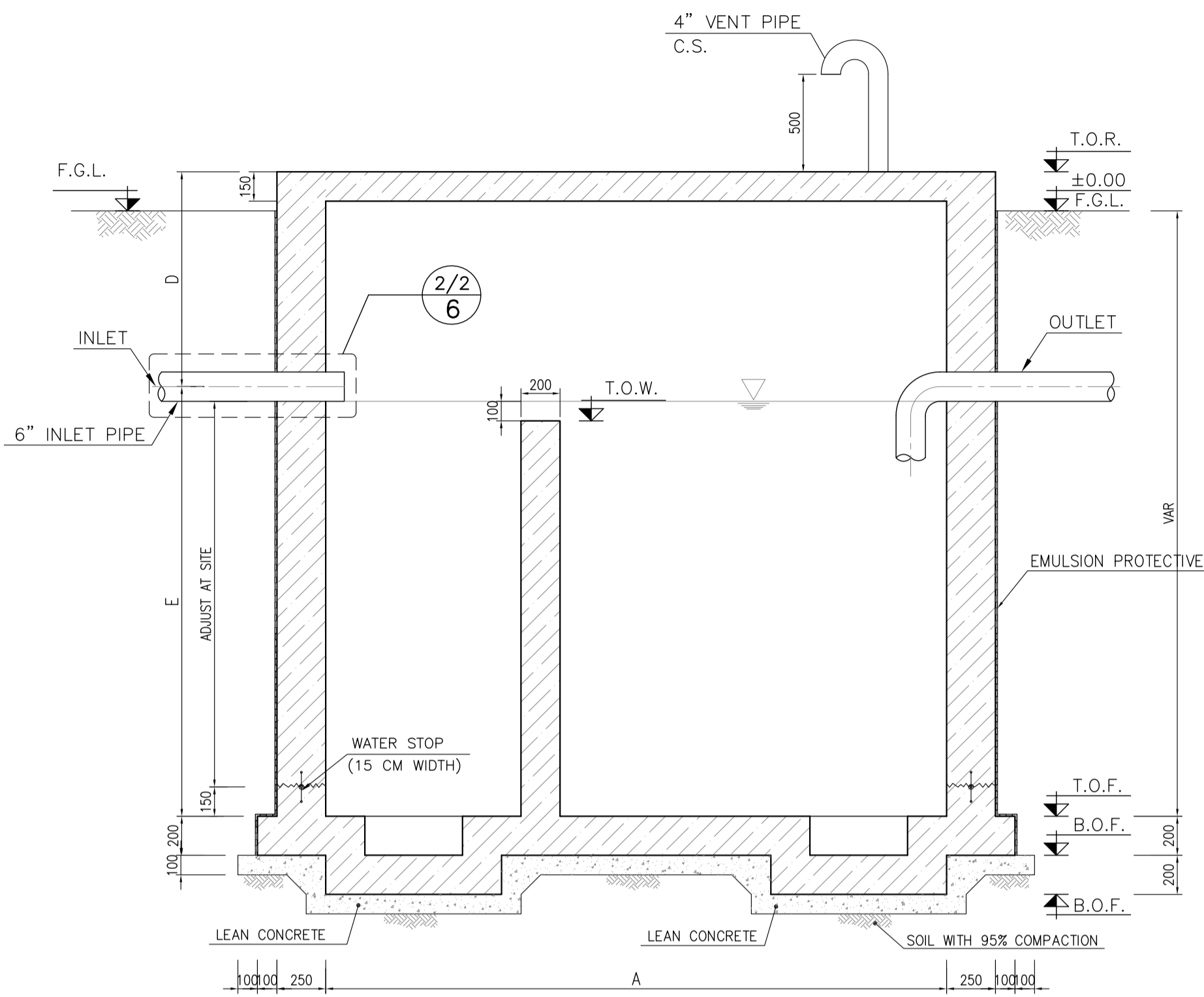
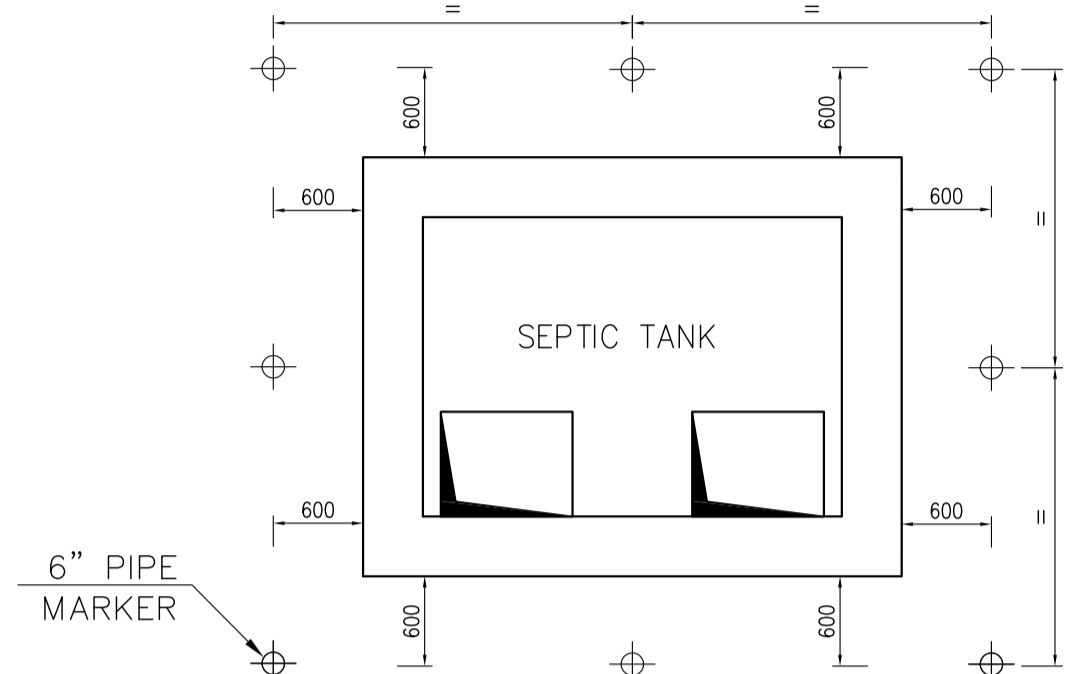


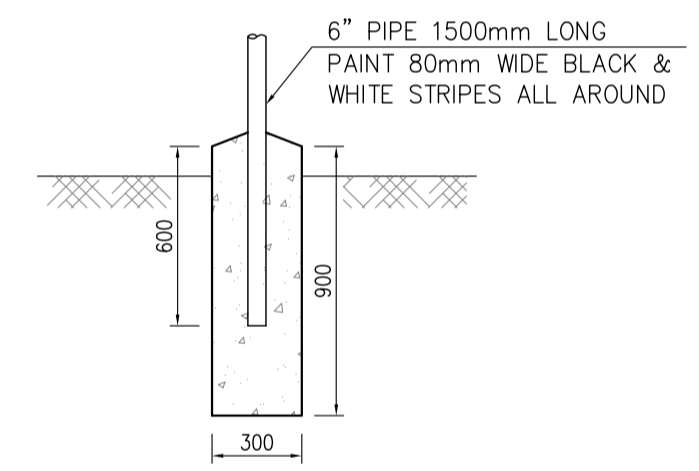
1:25 FOUNDATION PLAN SEPTIC TANK



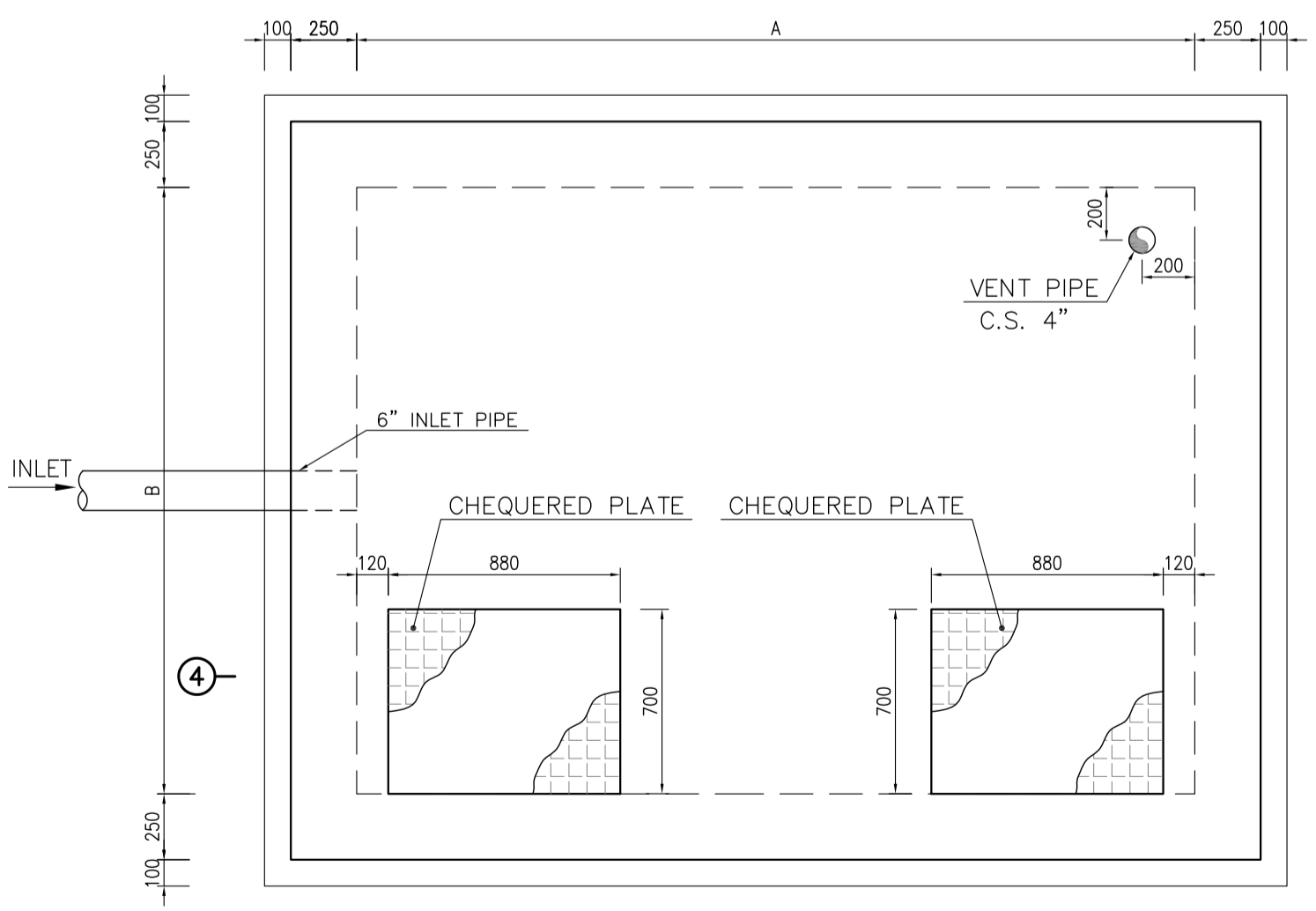
1:25 3



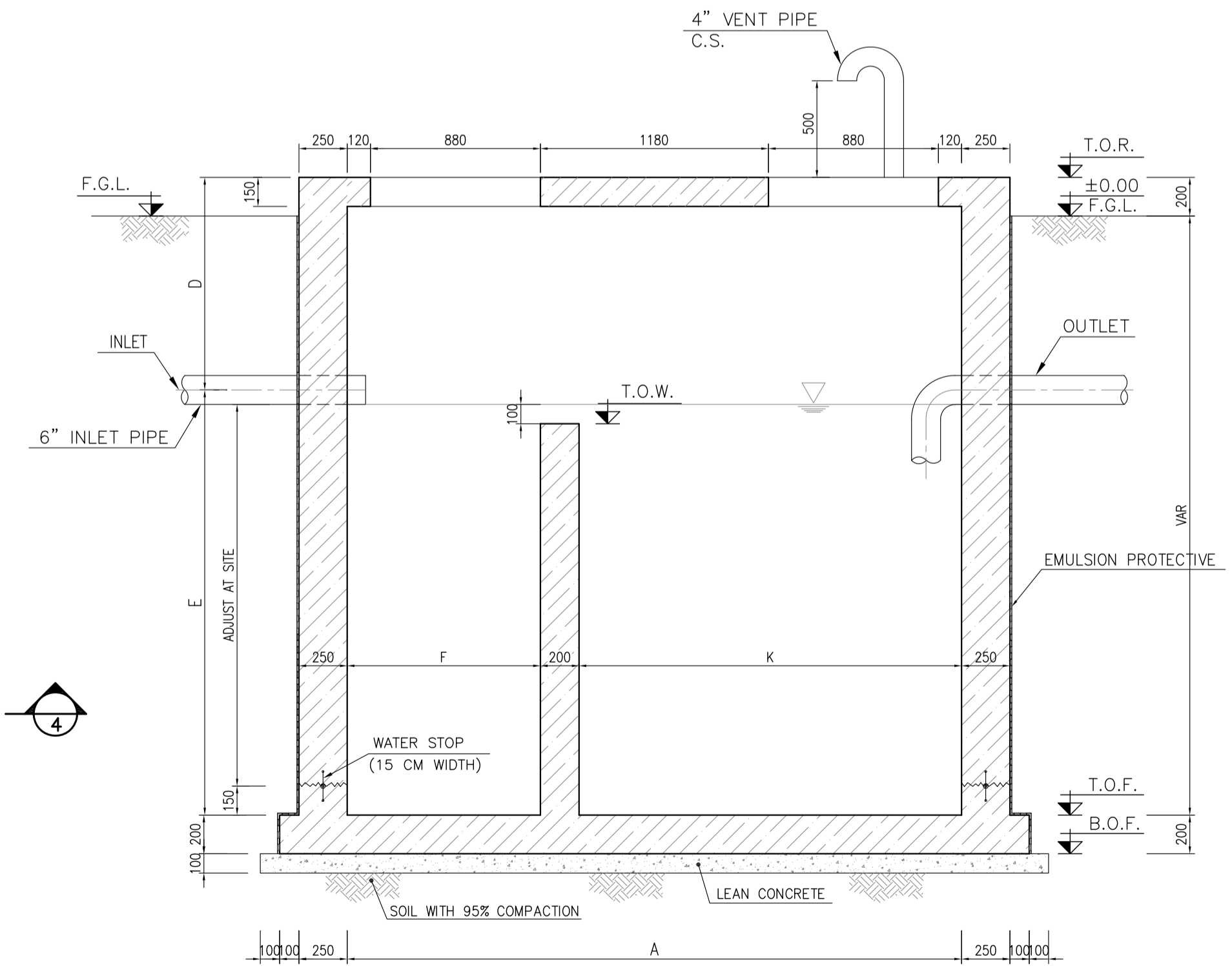
1:50 ARRANGMENT OF MARKERS



1:25 6 DETAIL OF MARKERS



1:25 ROOF PLAN SEPTIC TANK



1:25 4

PARAMETRIC DIMENSION OF SEPTIC TANK							
SIZE	A	B	C	D	E	F	K
M ³	mm	mm	mm	mm	mm	mm	mm
4	2000	2000	2500	1100	1400	1000	1000
8	4000	2000	2500	1100	1400	1000	2000
12	2500	2000	3500	1100	2400	1000	1500
24	5000	2000	3500	1100	2400	1700	3300

REV.	DATE	PREP.	CHK.	APP.	AUT.
D03	JUN.2022	IFA	R.BERLOUË	M.PAKHARIAN	M.MEHRSHAD
D02	MAY.2022	IFA	R.BERLOUË	M.PAKHARIAN	M.MEHRSHAD
D01	FEB.2022	IFA	R.BERLOUË	M.PAKHARIAN	M.MEHRSHAD
D00	JAN.2022	IPC	R.BERLOUË	M.PAKHARIAN	M.MEHRSHAD

PROJECT NAME: BINAK OILFIELD DEVELOPMENT GENERAL
 PROJECT NO.: 971020
 EPC CONTRACTOR: HIRGAN ENERGY
 EPD/EPC CONTRACTOR(GC): PETROIRAN DEVELOPMENT COMPANY

- NOTES**
- ALL DIMENSIONS ARE IN MILLIMETERS UNLESS OTHERWISE NOTED.
 - ALL CHECKERED (RAISED-PATTERN) PLATE SHALL BE 6mm THK. UNLESS OTHERWISE NOTED.
 - HOLES <250 WITHOUT TOE PLATE TO BE DRILLED ON FIELD (EXCEPT OTHERWISE INDICATED)
- HOLES >250 WITH TOE PLATE DRILLED BY FABRICATOR
 - FIXED CHECKERED PLATES ARE TO BE FIELD ATTACHED TO SUPPORT MEMBERS WITH 3 mm INTERMITTENT WELD 50mm LONG SPACED ON APPROXIMATELY 450 mm CENTERS ON ALL EDGES WITH A MINIMUM OF TWO WELDS PER EDGE.
 - STANDARD SPECIFICATION FOR PORTLAND CEMENT* (ASTM C 150)
CEMENT TYPE SHALL BE CONSIDERED ACCORDING TO GEOTECHNICAL INVESTIGATION REPORT.
 - REINFORCING BARS SHALL BE S400.
ACCORDING TO: ISIRI3132 AND INBS9 WITH MINIMUM TENSILE YIELD STRENGTH 400 N/mm²
 - CONCRETE ACCORDING TO MINIMUM COMPRESSIVE STRENGTH AT 28 DAYS ON CYLINDER SPECIMEN 30 Mpa.

- LEGEND**
- REINFORCED CONCRETE
 - CONCRETE
 - GRAVEL
 - COMPACTED SOIL
 - LEAN CONCRETE
 - CHEQUERED PLATE
- F.G.L. FINISH GROUND LEVEL
 T.O.F. TOP OF FOUNDATION
 B.O.F. BOTTOM OF FOUNDATION
 T.O.W. TOP OF WALL
 T.O.R. TOP OF ROOF
 C.S. CARBON STEEL

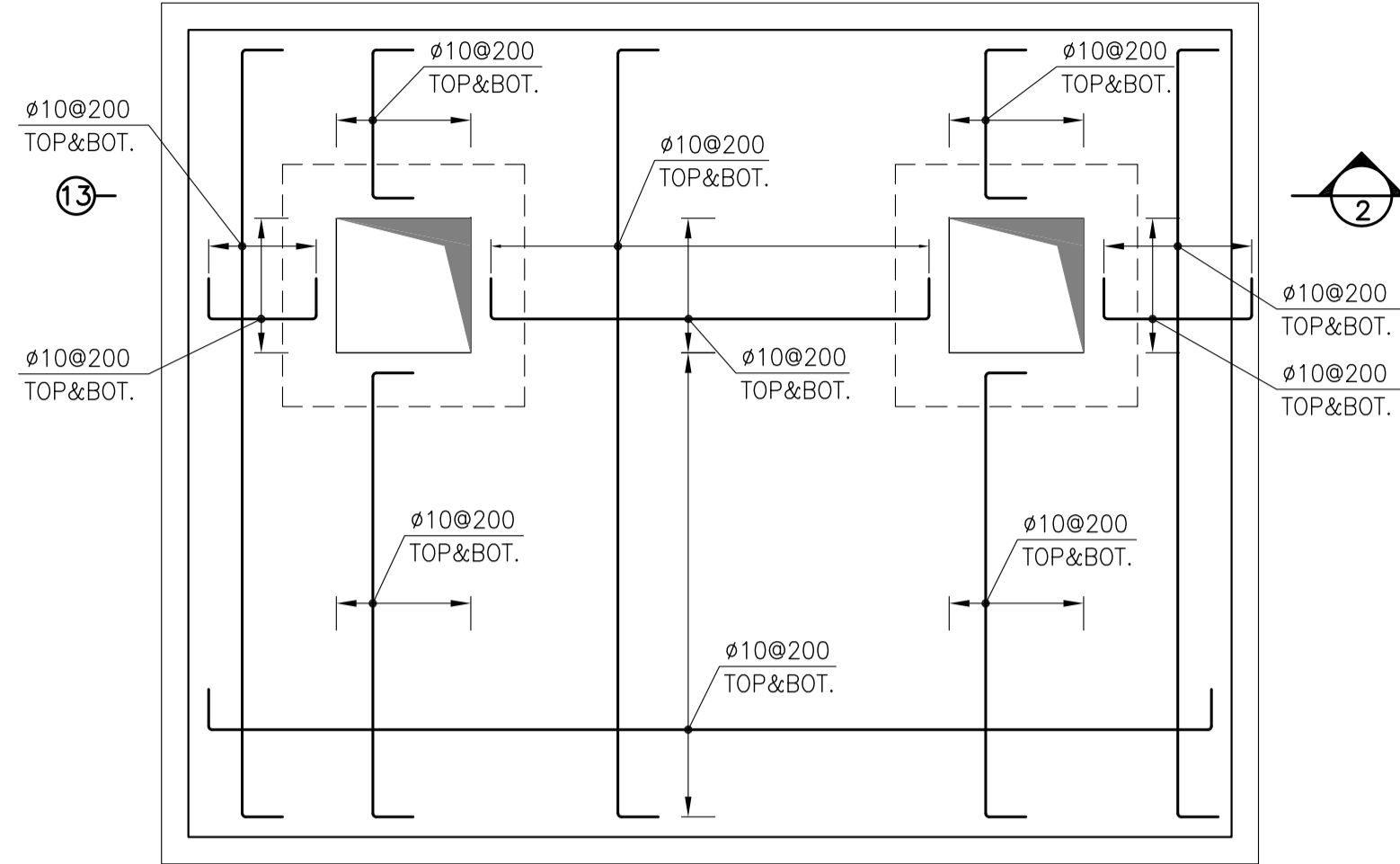
REFERENCE DRAWING	DRG. No.
GENERAL NOTES - STEEL STRUCTURES	BK-GNRL-PEDCO-000-ST-DW-0011
GENERAL NOTES - REINFORCED CONCRETE STRUCTURES	BK-GNRL-PEDCO-000-ST-DW-0012

KEY PLAN

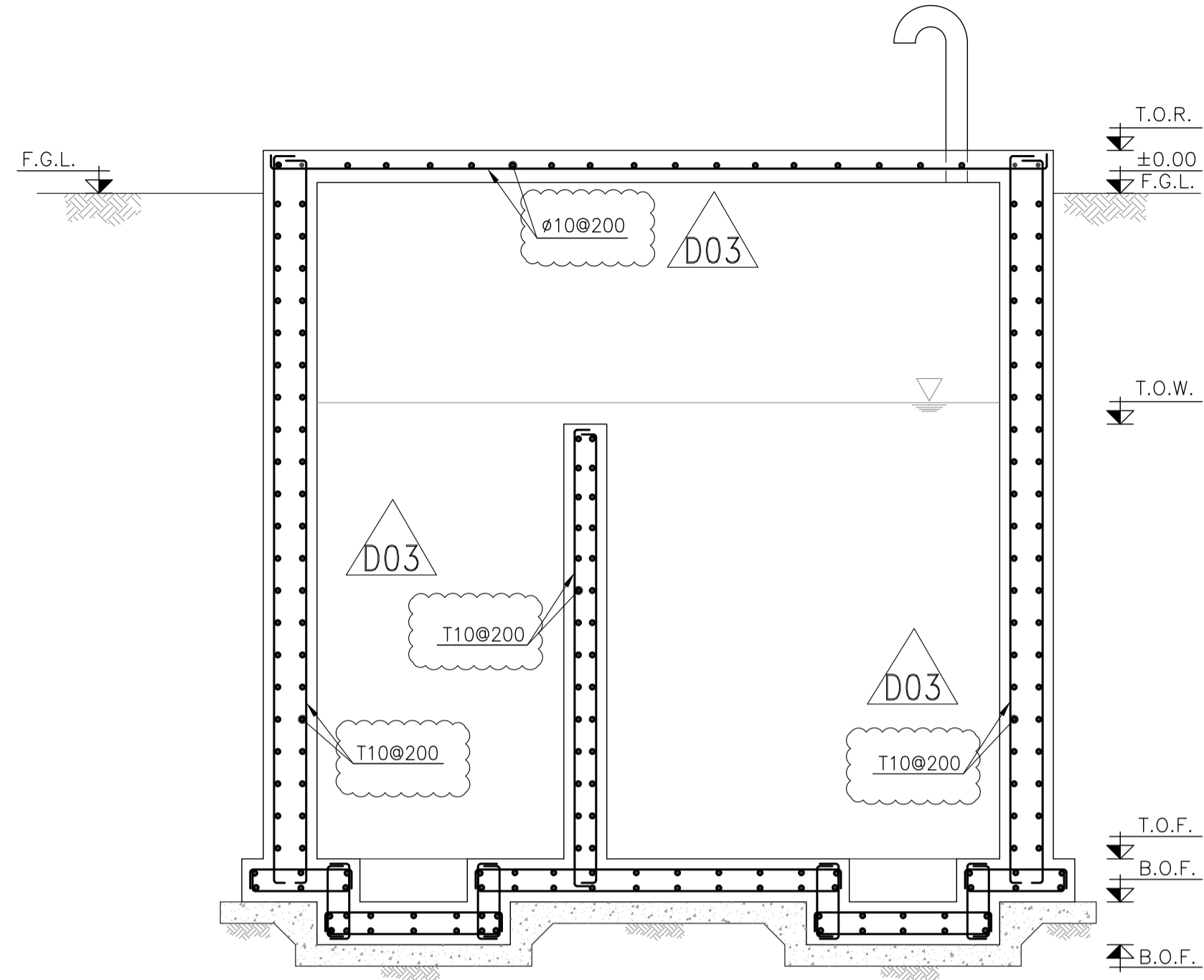
DRAWING TITLE: STANDARD DRAWING FOR SEPTIC TANK

SCALE	SIZE	DRAWING NO.	SHEET NO.	REV.	BUDGET REF.	LOCATION	SIZE	CLASS	SERIAL NO.	SHEET	REVISION
AS SHOWN	A1	BK-GNRL-PEDCO-000-ST-DW-0017	1 OF 2	D03	053-073-9184	F	4	M	707288	1 OF 2	D03

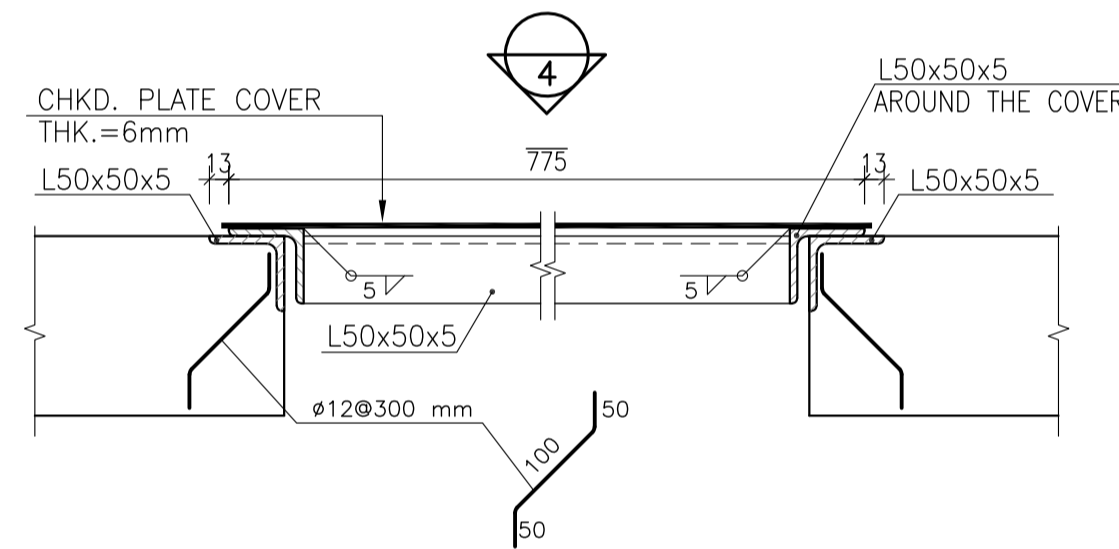
* WILL BE FIND IN SEWERAGE LAYOUT



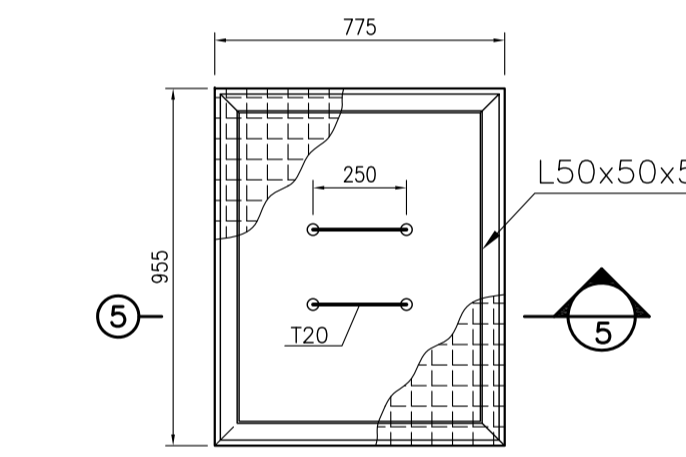
1:25 FOUNDATION PLAN REINFORCEMENT



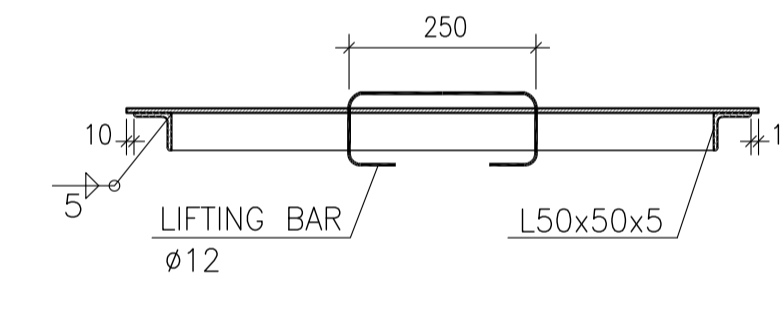
1:25 REINFORCEMENT



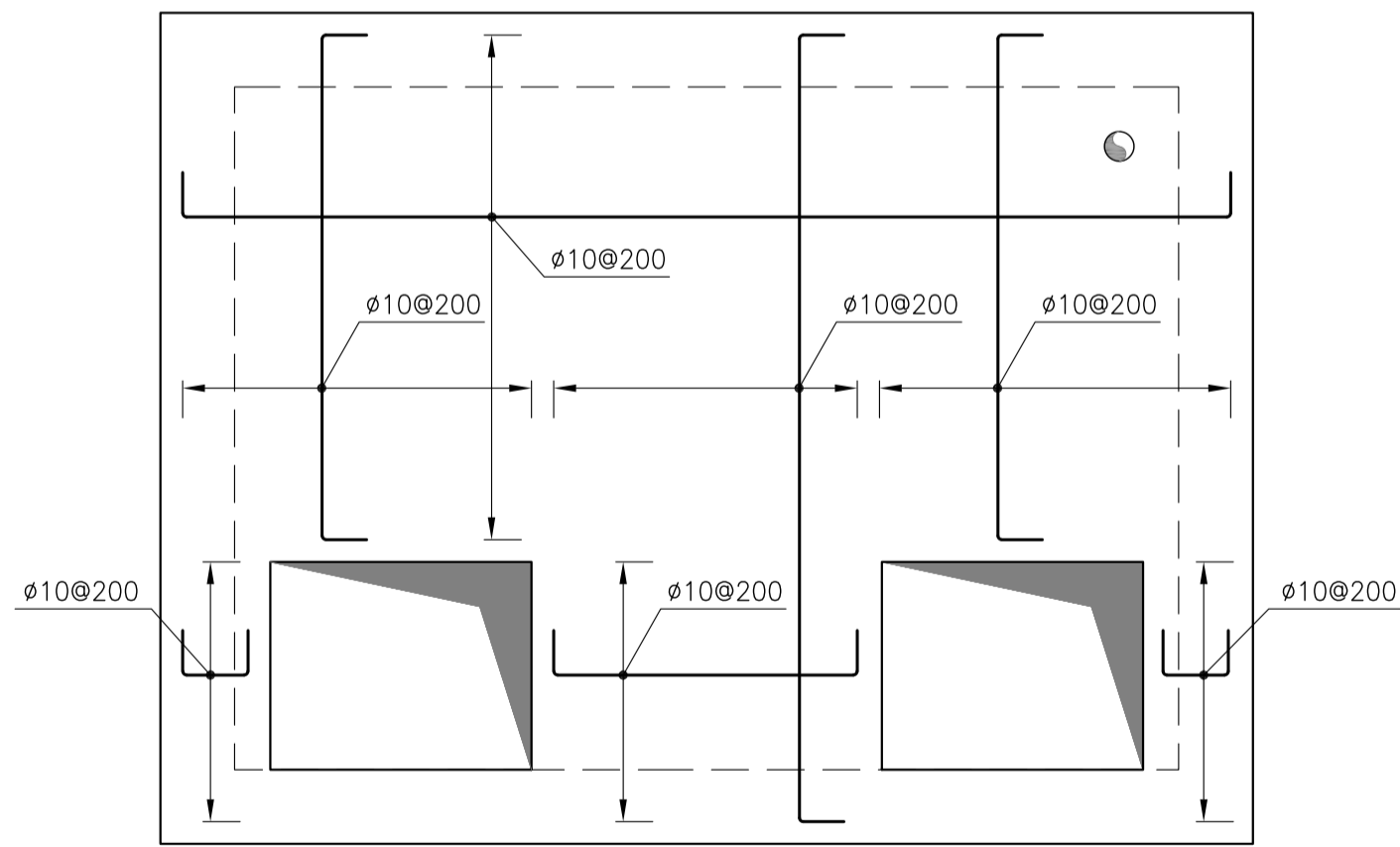
1:5 CHEQUERED PLATE



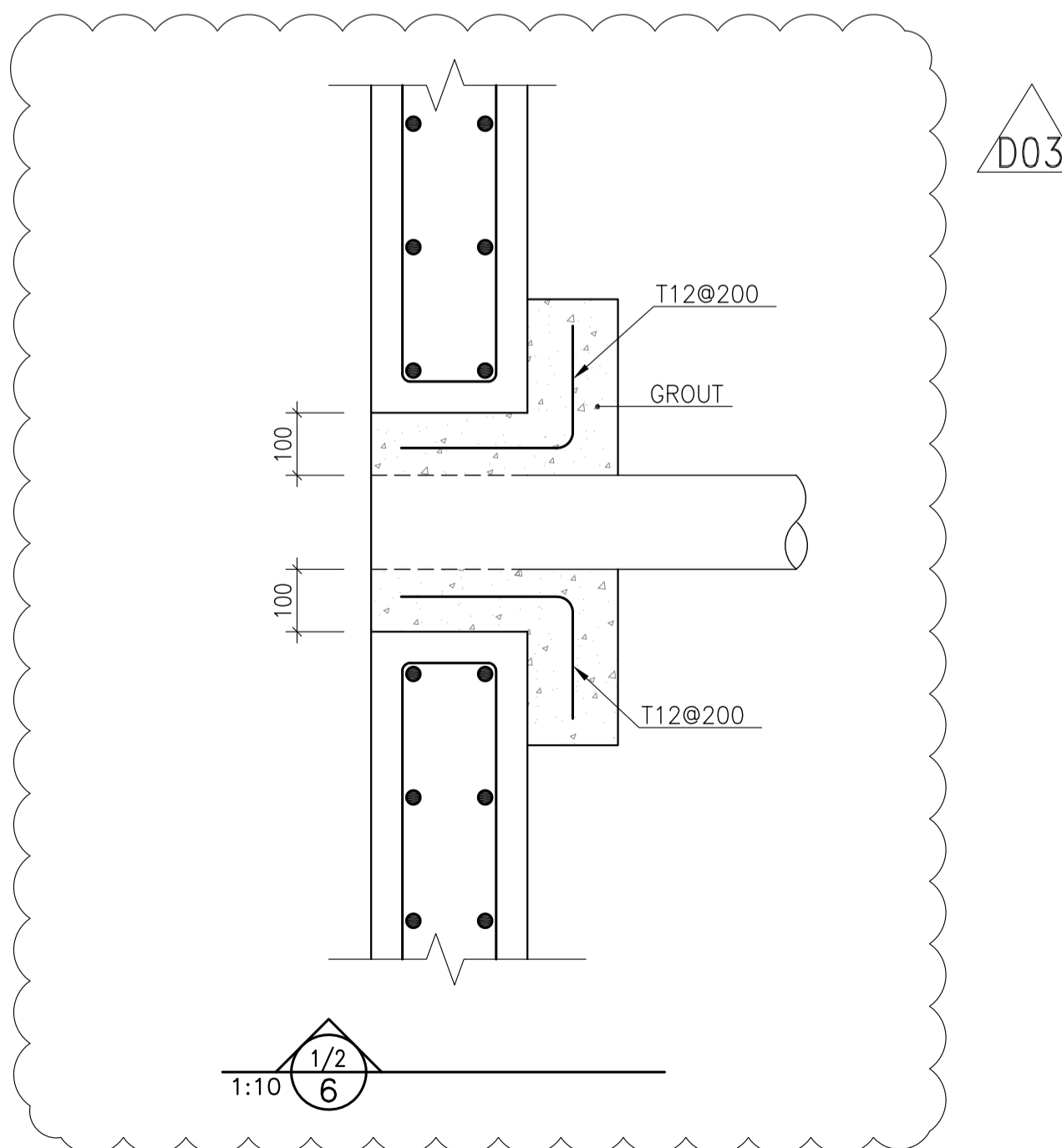
1:20 CHEQUERED PLATE



1:10 CHEQUERED PLATE



1:25 SEPTIC TANK JOIST PLAN



1:10 SEPTIC TANK JOIST PLAN

- NOTES**
- ALL DIMENSIONS ARE IN MILLIMETERS UNLESS OTHERWISE NOTED.
 - ALL CHECKERED (RAISED-PATTERN) PLATE SHALL BE 6mm THK. UNLESS OTHERWISE NOTED.
 - HOLES <250 WITHOUT TOE PLATE TO BE DRILLED ON FIELD (EXCEPT OTHERWISE INDICATED)
- HOLES >250 WITH TOE PLATE DRILLED BY FABRICATOR
 - FIXED CHECKERED PLATES ARE TO BE FIELD ATTACHED TO SUPPORT MEMBERS WITH 3 mm INTERMITTENT WELD 50mm LONG SPACED ON APPROXIMATELY 450 mm CENTERS ON ALL EDGES WITH A MINIMUM OF TWO WELDS PER EDGE.
 - STANDARD SPECIFICATION FOR PORTLAND CEMENT* (ASTM C 150)
CEMENT TYPE SHALL BE CONSIDERED ACCORDING TO GEOTECHNICAL INVESTIGATION REPORT.
 - REINFORCING BARS SHALL BE S400.
ACCORDING TO: ISIRI3132 AND INBS9 WITH MINIMUM TENSILE YIELD STRENGTH 400 N/mm²
 - CONCRETE ACCORDING TO MINIMUM COMPRESSIVE STRENGTH AT 28 DAYS ON CYLINDER SPECIMEN 30 Mpa.

LEGEND

	REINFORCED CONCRETE
	CONCRETE
	GRAVEL
	COMPACTED SOIL
	LEAN CONCRETE
	CHEQUERED PLATE

F.G.L. FINISH GROUND LEVEL
T.O.F. TOP OF FOUNDATION
B.O.F. BOTTOM OF FOUNDATION
T.O.W. TOP OF WALL
T.O.R. TOP OF ROOF
C.S. CARBON STEEL

REFERENCE DRAWING

GENERAL NOTES - STEEL STRUCTURES	DRG. No. BK-GNRL-PEDCO-000-ST-DW-0011
GENERAL NOTES - REINFORCED CONCRETE STRUCTURES	BK-GNRL-PEDCO-000-ST-DW-0012

KEY PLAN

REV.	DATE	P.O.I.S	PREP.	CHK.	APP.	AUT.
D03	JUN.2022	IFA	R.BERLOUE	M.PAKHARIAN	M.MEHRSHAD	***
D02	MAY.2022	IFA	R.BERLOUE	M.PAKHARIAN	M.MEHRSHAD	***
D01	FEB.2022	IFA	R.BERLOUE	M.PAKHARIAN	M.MEHRSHAD	***
D00	JAN.2022	IPC	R.BERLOUE	M.PAKHARIAN	M.MEHRSHAD	***

PROJECT NAME: BINAK OILFIELD DEVELOPMENT GENERAL

PROJECT NO.: 971020

EPC CONTRACTOR: HIRGAN ENERGY

EPD/EPC CONTRACTOR(GC): PETROIRAN DEVELOPMENT COMPANY

DRAWING TITLE: STANDARD DRAWING FOR SEPTIC TANK

SCALE	SIZE	DRAWING NO.	SHEET NO.	REV.	BUDGET REF.	LOCATION	SIZE	CLASS	SERIAL NO.	SHEET	REVISION
AS SHOWN	A1	BK-GNRL-PEDCO-000-ST-DW-0017	2 OF 2	D03	053-073-9184	F	4	M	707288	2 OF 2	D03

THE ORIGINAL AND ALL COPIES OF THIS DRAWING TOGETHER WITH THE COPYRIGHT THEREIN ARE THE SOLE PROPERTY OF N.I.S.O.C./ FIELDS

BINAK OILFIELD DEVELOPMENT GENERAL

DATE	SCALE	DRAWING BY	CHECKED BY	PROJECT ENG.
------	-------	------------	------------	--------------

NO CONSTRUCTION PERMITTED UNLESS DRAWING APPROVED

APPROVED FOR CONSTRUCTION	BY:	DATE:
---------------------------	-----	-------