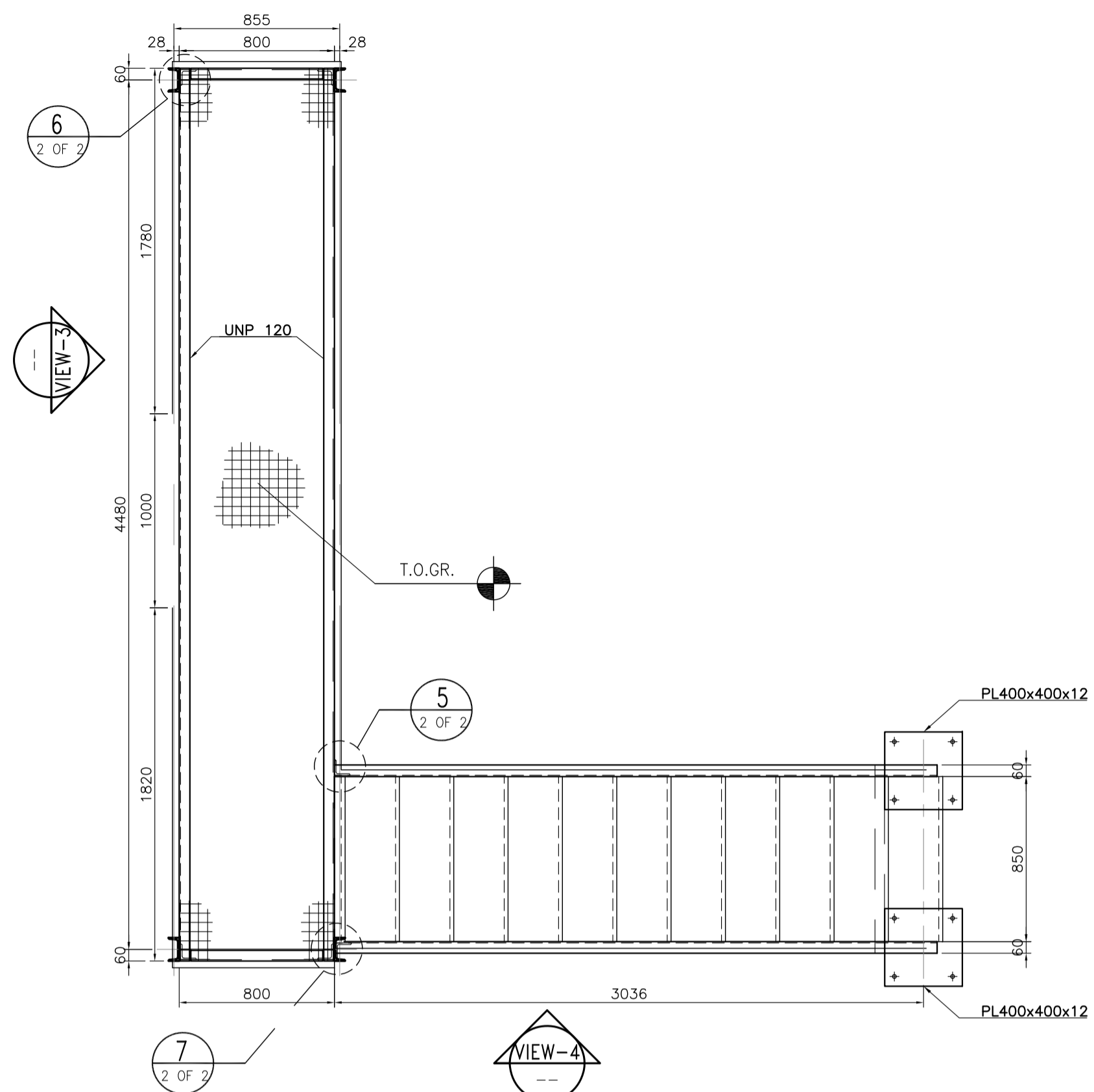
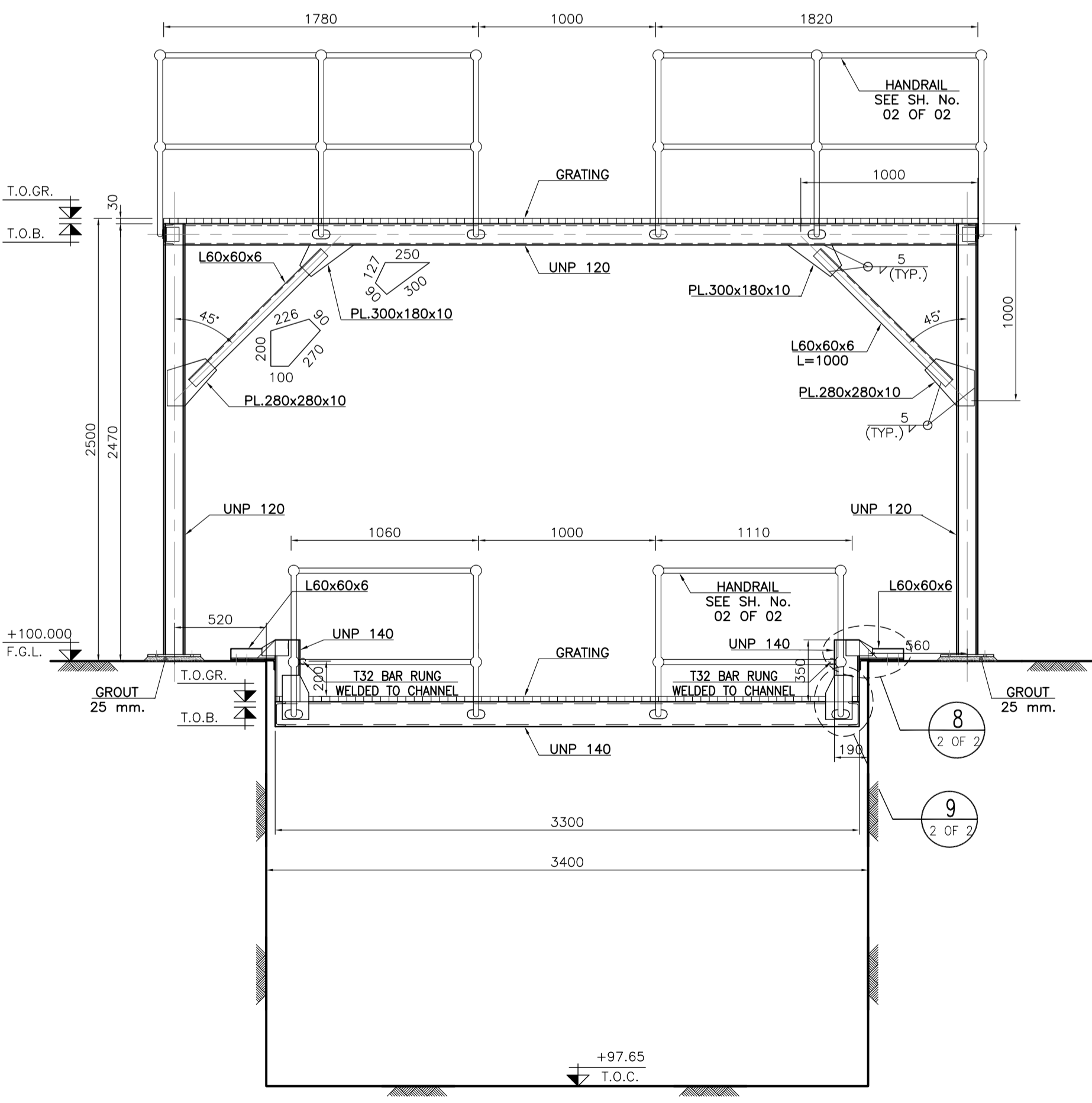


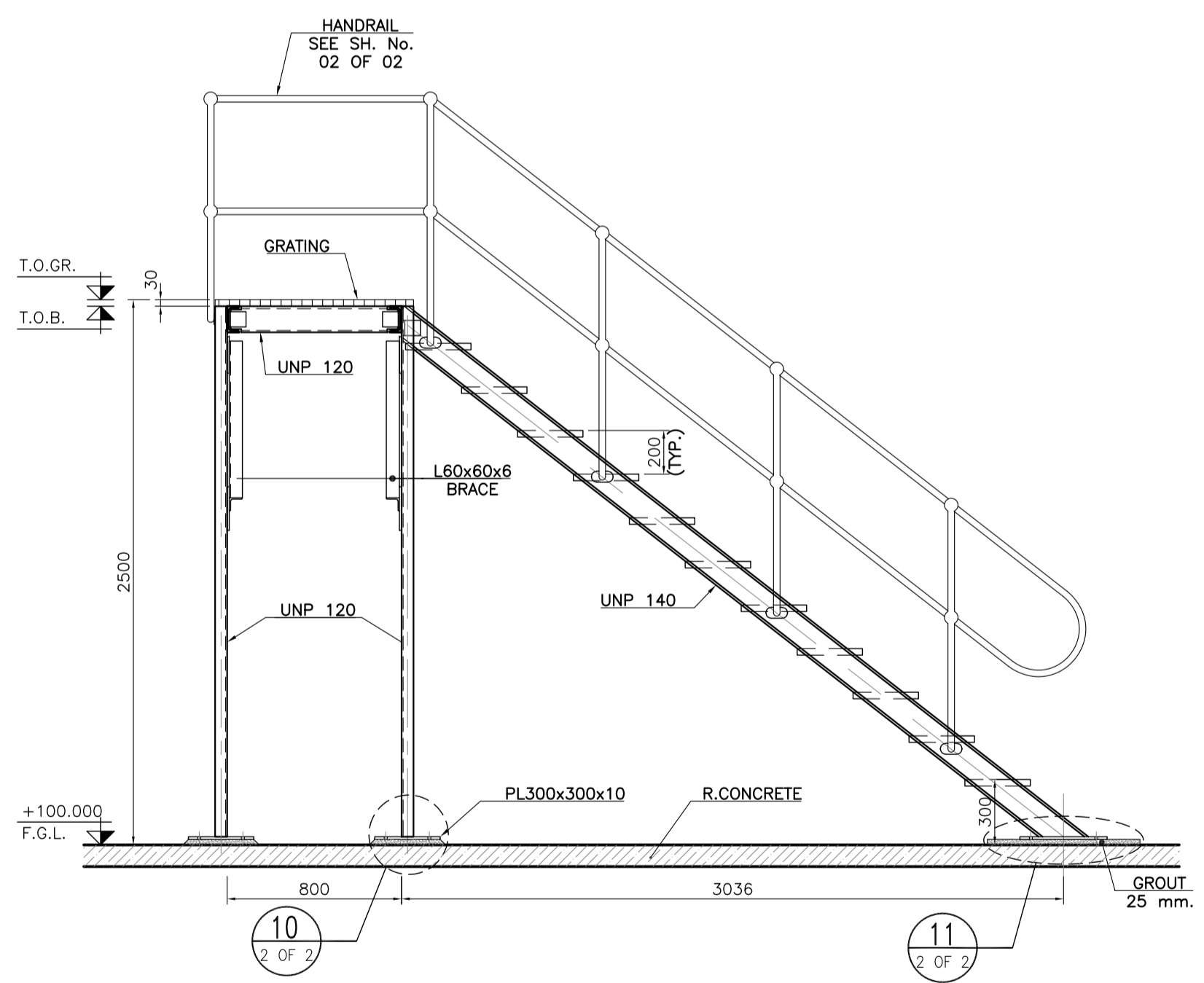
SC:1:25 **1** PLAN OF PLATFORM AT EL. +99.600



SC:1:25 **2** PLAN OF PLATFORM AT EL. +102.500



SC:1:25 **3**



SC:1:25 **4**

- NOTES**
- 1) DIMENSIONS ARE IN "mm" AND ELEVATIONS IN "m" UNLESS SPECIFIED.
 - 2) ALL DIMENSIONS AND ELEVATIONS SHALL BE CHECKED BY THE CONTRACTOR PRIOR TO CONSTRUCTION.
 - 3) CONTRACTOR SHALL CHECK THE DRAWING WITH ALL ARCHITECTURAL, MECHANICAL, INSTRUMENT, PIPING & ELECTRICAL DRAWINGS BEFORE CONSTRUCTION AND ANY REQUIRED MODIFICATIONS SHALL BE CONSIDERED WITH PRIOR CLIENT APPROVAL.
 - 4) REFERENCE COORDINATES E=1000.000 , N=1000.000 REFER TO X=437126.261 , Y=3293090.751 UTM.

LEGEND

REFERENCE DRAWING	DRG. No.
STANDARD DRAWING FOR ANCHOR BOLTS	BK-GNRL-PEDCO-00-ST-DW-0002
STANDARD DRAWING FOR STEEL STAIRS	BK-GNRL-PEDCO-00-ST-DW-0003
STANDARD DRAWING FOR OPERATING PLATFORM	BK-GNRL-PEDCO-00-ST-DW-0005
STANDARD DRAWING FOR ANCHOR BOLTS	BK-GNRL-PEDCO-00-ST-DW-0006
STANDARD DRAWING FOR HANDRAIL	BK-GNRL-PEDCO-00-ST-DW-0011
GENERAL NOTES - STEEL STRUCTURES	BK-GNRL-PEDCO-00-ST-DW-0012
STANDARD DRAWING FOR STEEL FLOORING , GRATING & CHEQUERED PLATE	BK-GNRL-PEDCO-00-ST-DW-0015

KEY PLAN

REV.	DATE	DESCRIPTION	BY	DATE	BY	DATE
DOO	JUN.2022	IFC	R.BERLOUE	M.FAKHARIAN	M.Mehrshad	***
REV.	DATE	P.O.I.S	PREP.	CHK.	APP.	AUT.

PROJECT NAME: BINAK OILFIELD DEVELOPMENT/SUB-SURFACE WORK PACKAGES W018S WELLHEAD FACILITIES

PROJECT NO.: 971020

EPC CONTRACTOR: HIRGAN ENERGY - DESIGN & INSPECTION COMPANIES

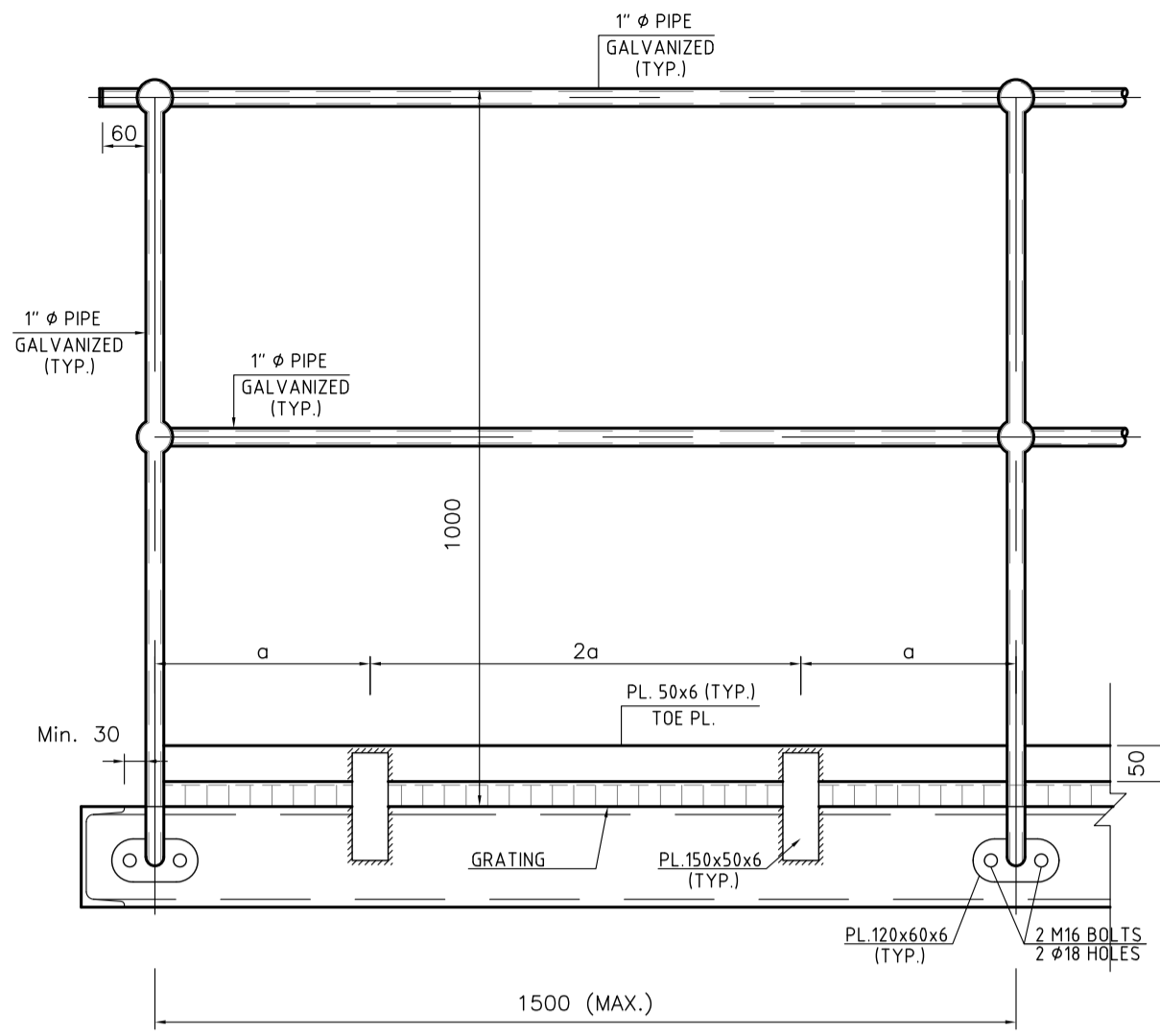
EPD/EPC CONTRACTOR (GC): PETROIRAN DEVELOPMENT COMPANY

DATE: SCALE: DRAWING BY: CHECKED BY: PROJECT ENG.

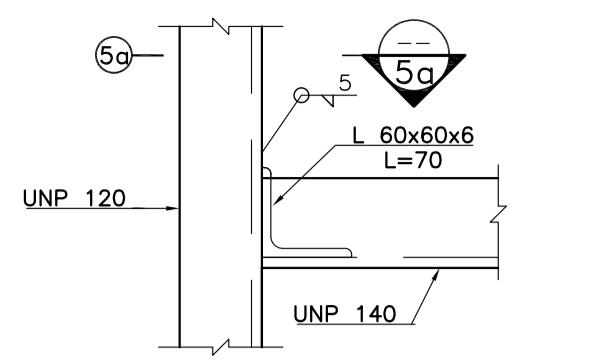
NO CONSTRUCTION PERMITTED UNLESS DRAWING APPROVED

APPROVED FOR CONSTRUCTION BY: DATE:

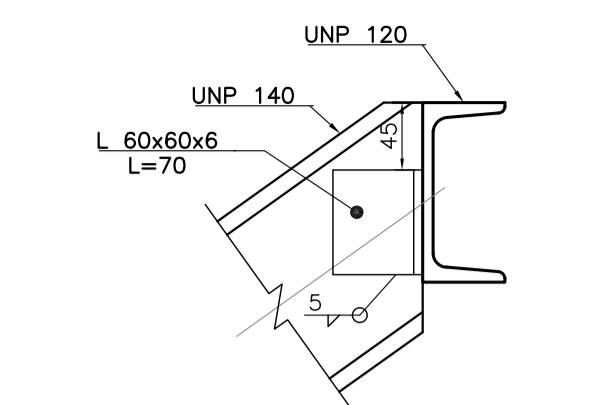
SCALE	SIZE	DRAWING NO.	SHEET NO.	REV.	BUDGET REF.	LOCATION	SIZE	CLASS	SERIAL NO.	SHEET	REVISION
N.T.S.	A1	BK-W028-PEDCO-110-ST-DW-0002	1 OF 2	DOO	053-073-9184	F	4	M	707552	1 OF 2	DOO



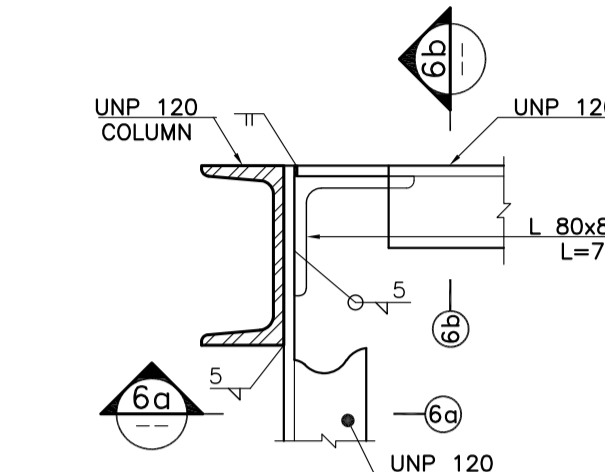
TYPICAL FIXED HANDRAIL
SC 1:10



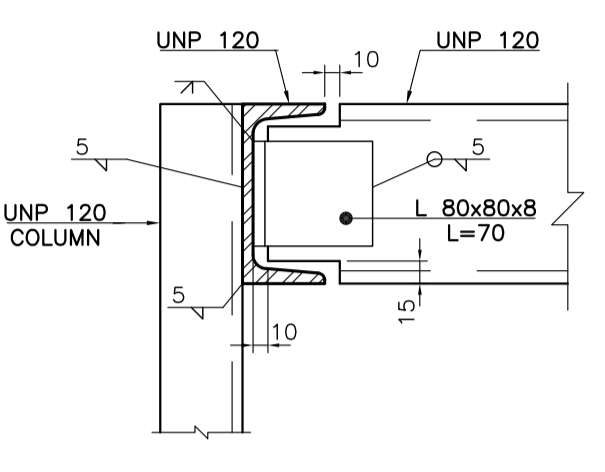
5
SC.1:5 1 OF 2



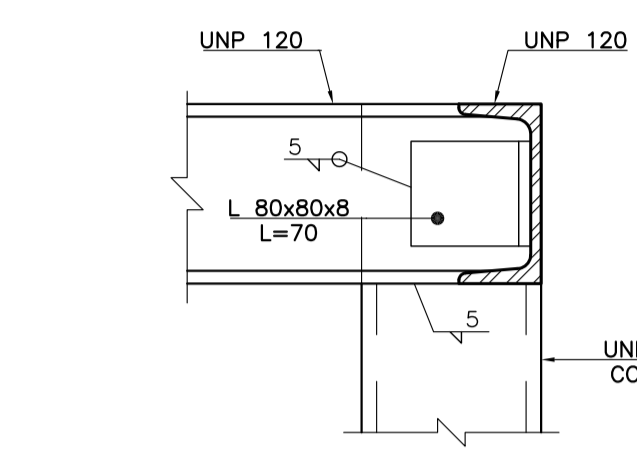
5a
SC.1:5



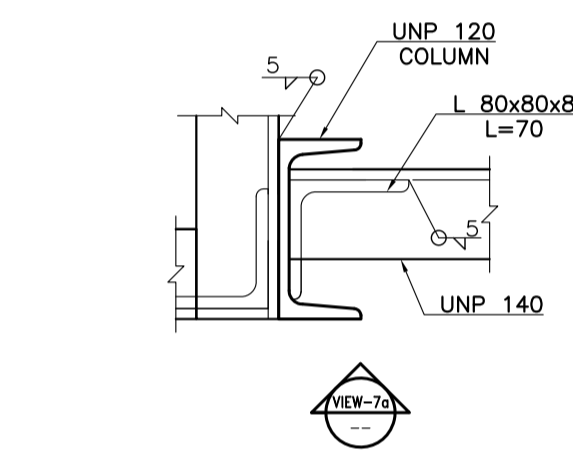
6
SC.1:5 1 OF 2



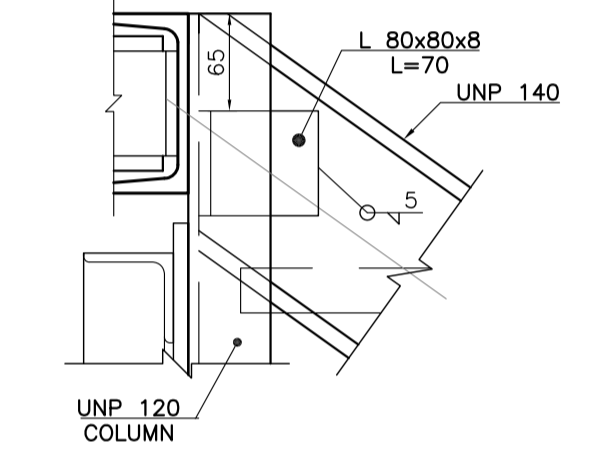
6a
SC.1:5



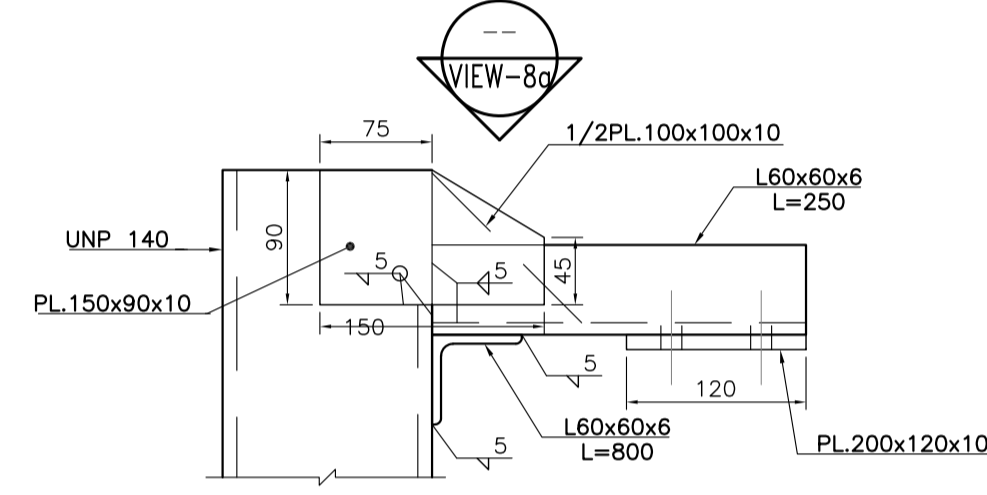
6b
SC.1:5



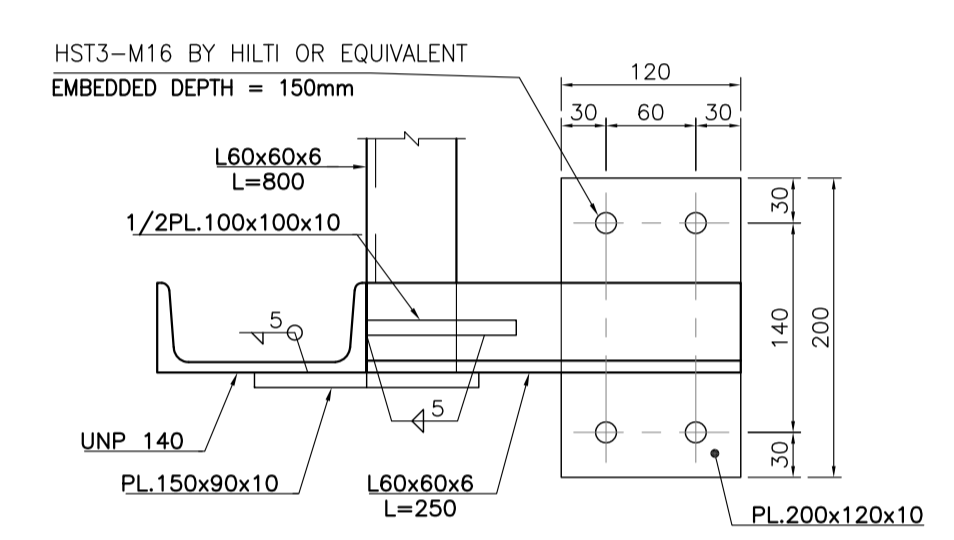
7
SC.1:5 1 OF 2



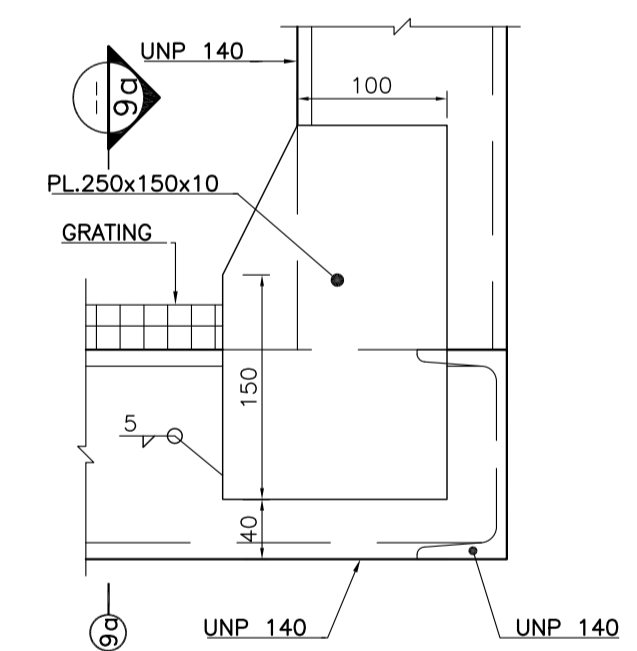
7a
SC.1:5



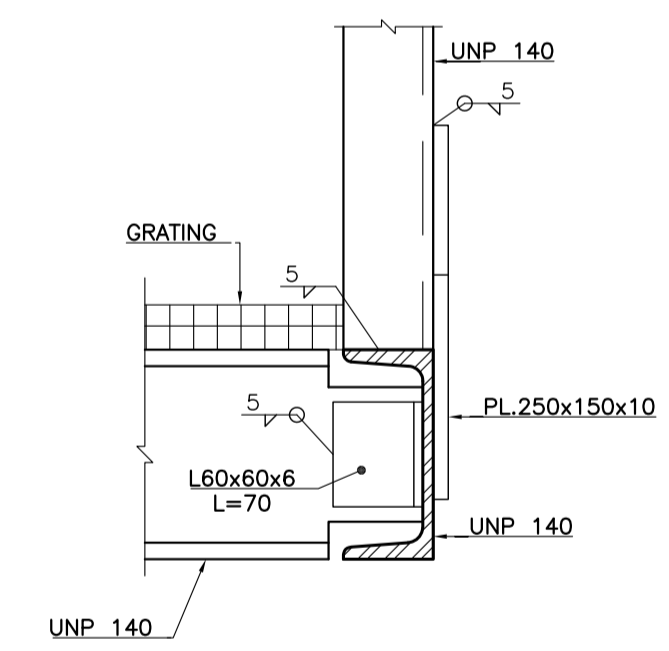
8
SC.1:5 1 OF 2



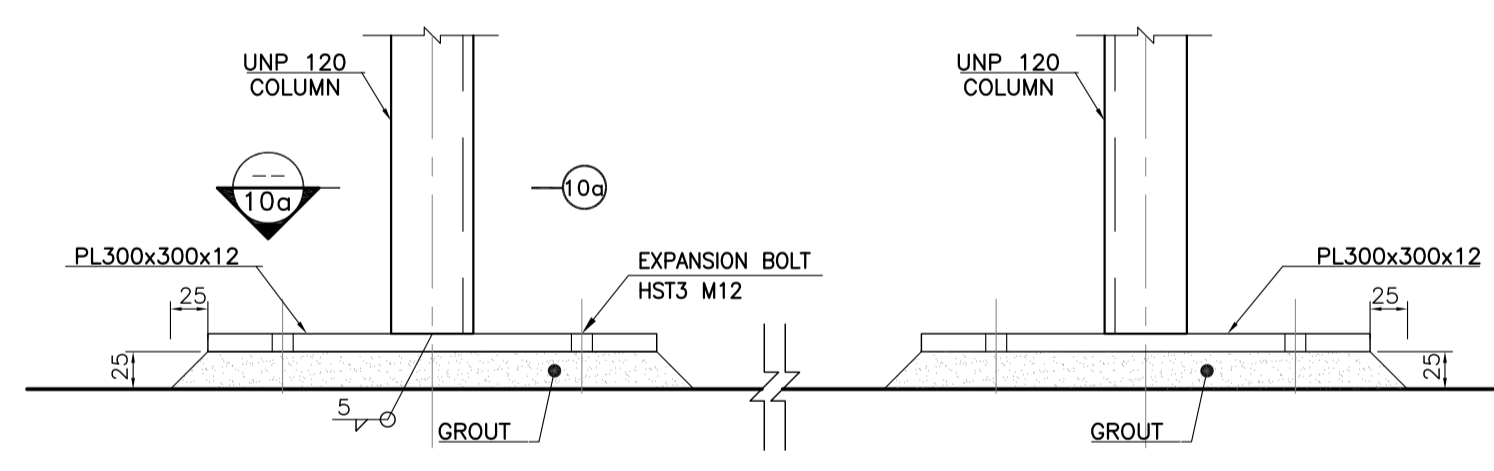
8a
SC.1:5



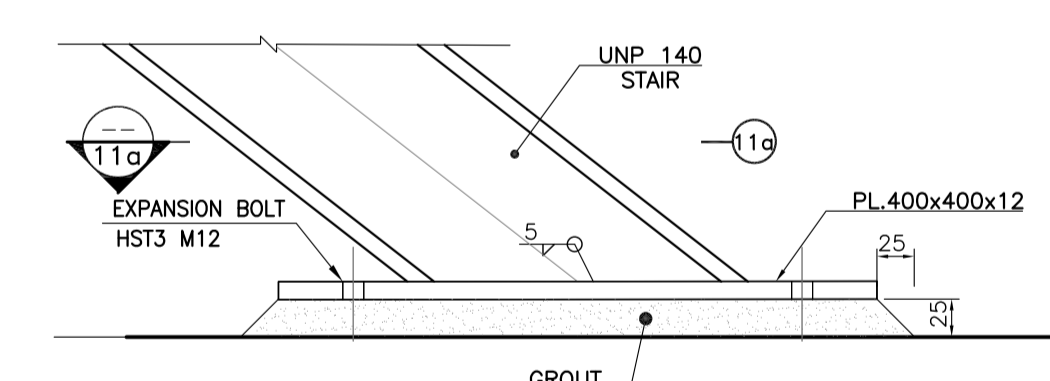
9
SC.1:5 1 OF 2



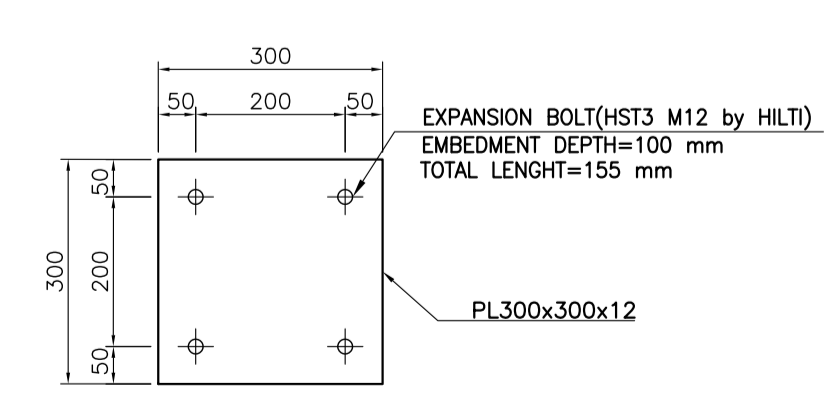
9a
SC.1:5



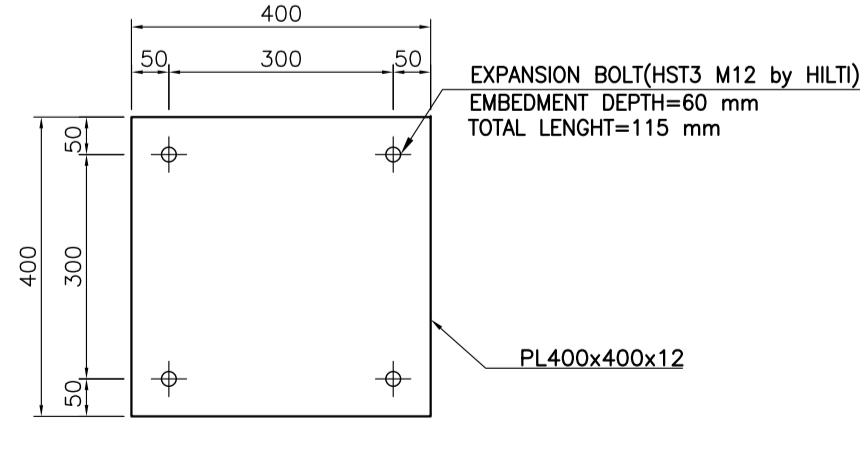
10
SC.1:5 1 OF 2



11
SC.1:5 1 OF 2



10a
SC.1:10



11a
SC.1:10

- NOTES**
- DIMENSIONS ARE IN "mm" AND ELEVATIONS IN "m" UNLESS SPECIFIED.
 - ALL DIMENSIONS AND ELEVATIONS SHALL BE CHECKED BY THE CONTRACTOR PRIOR TO CONSTRUCTION.
 - CONTRACTOR SHALL CHECK THE DRAWING WITH ALL ARCHITECTURAL, MECHANICAL, INSTRUMENT, PIPING & ELECTRICAL DRAWINGS BEFORE CONSTRUCTION AND ANY REQUIRED MODIFICATIONS SHALL BE CONSIDERED WITH PRIOR CLIENT APPROVAL.
 - REFERENCE COORDINATES E=1000.000 , N=1000.000 REFER TO X=437126.261 , Y=3293090.751 UTM.

LEGEND

REFERENCE DRAWING	DRG. No.
STANDARD DRAWING FOR ANCHOR BOLTS	BK-GNRL-PEDCO-00-ST-DW-0002
STANDARD DRAWING FOR STEEL STAIRS	BK-GNRL-PEDCO-00-ST-DW-0003
STANDARD DRAWING FOR OPERATING PLATFORM	BK-GNRL-PEDCO-00-ST-DW-0005
STANDARD DRAWING FOR ANCHOR BOLTS	BK-GNRL-PEDCO-00-ST-DW-0006
STANDARD DRAWING FOR HANDRAIL	BK-GNRL-PEDCO-00-ST-DW-0011
GENERAL NOTES - STEEL STRUCTURES	BK-GNRL-PEDCO-00-ST-DW-0012
STANDARD DRAWING FOR STEEL FLOORING , GRATING & CHEQUERED PLATE	BK-GNRL-PEDCO-00-ST-DW-0015

KEY PLAN

REV.	DATE	DESCRIPTION	BY	DATE	BY	DATE
DOO	JUN.2022	IFC	R.BERLOUE	M.FAKHARIAN	M.Mehrshad	***
REV.	DATE	P.O.I.S	PREP.	CHK.	APP.	AUT.
PROJECT NAME: BINAK OILFIELD DEVELOPMENT/SUB-SURFACE WORK PACKAGES W018S WELLHEAD FACILITIES						
PROJECT NO.: 971020						
EPC CONTRACTOR:			EPD/EPC CONTRACTOR (GC):			
 HIRGAN ENERGY - DESIGN & INSPECTION COMPANIES			 PETROIRAN DEVELOPMENT COMPANY			
DRAWING TITLE: PLATFORM STRUCTURE DRAWING - W028						
NO CONSTRUCTION PERMITTED UNLESS DRAWING APPROVED						
APPROVED FOR CONSTRUCTION			BY:		DATE:	
SCALE	SIZE	DRAWING NO.	SHEET NO.	REV.	BUDGET REF.	LOCATION
N.T.S.	A1	BK-W028-PEDCO-110-ST-DW-0002	2 OF 2	DOO	053-073-9184	F
CLASS	SIZE	CLASS	SERIAL NO.	SHEET	REVISION	
M	4	M	707552	2 OF 2	DOO	