

**NOTES**

1. ALL DIMENSIONS ARE IN CENTIMETER & ALL ELEVATIONS ARE IN METER.
2. ALL DIMENSIONS AND ELEVATIONS SHALL BE CHECKED BY THE CONTRACTOR PRIOR TO CONSTRUCTION.
3. CONTRACTOR SHALL COMPARE ALL ARCHITECTURAL, MECHANICAL, ELECTRICAL, PIPING AND STRUCTURAL DRAWINGS AND IN CASE OF ANY CONFLICTS OR DISCREPANCY, INFORM THE ENGINEER.
4. ALL MATERIALS ARE SELECTED FROM THE HIGHEST QUALITY AND MUST BE APPROVED BY THE CLIENT.
5. ALL OPENINGS FOR PIPING/CABLING AND HVAC OPENINGS SHALL BE CONSIDERED AS PER RELATED DRAWINGS BEFORE CONSTRUCTION.
6. ELEVATION CODE : LOCAL ±0.0m CORRESPONDS TO GLOBAL +11.10m

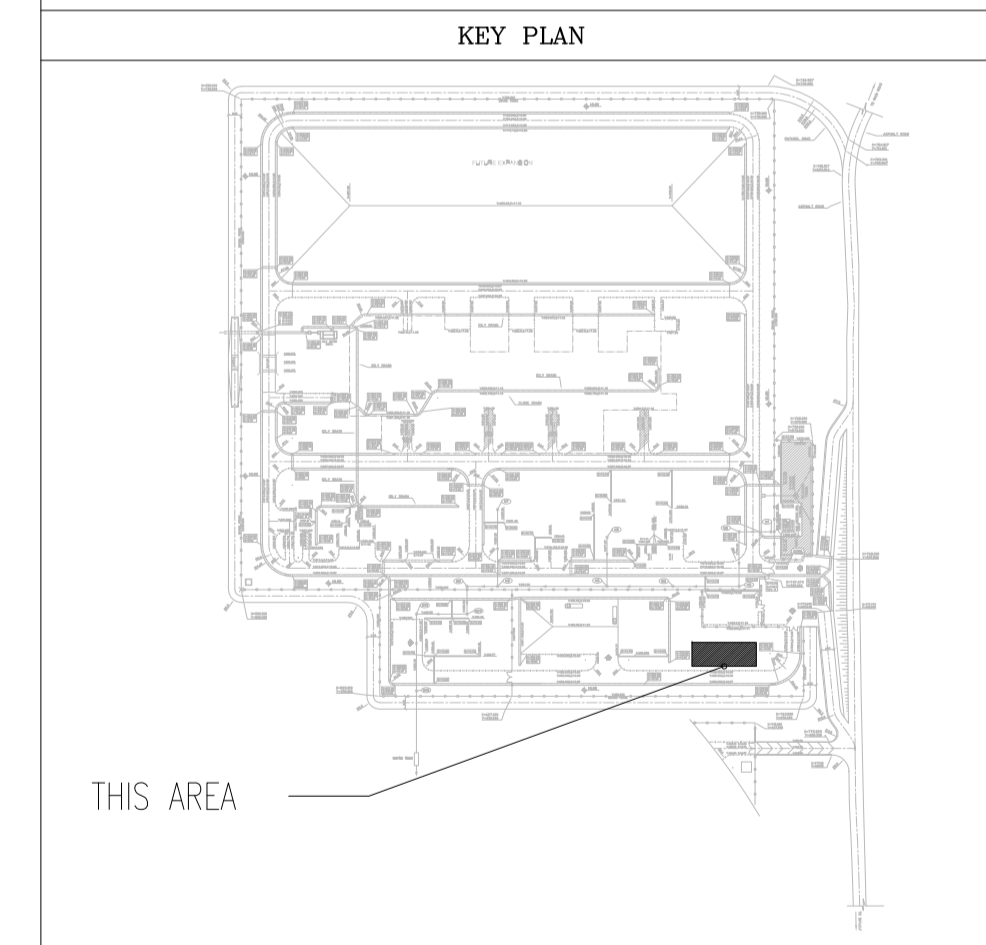
**LEGEND**

F.F.L.	FINISHED FLOOR LEVEL
T.O.G.	TOP OF GRAVEL
T.O.Wa.	TOP OF WALKWAY
T.O.P.	TOP OF PARAPET
T.O.Fou.	TOP OF FOUNDATION
T.O.D.	TOP OF DOOR
B.O.D.	BOTTOM OF DOOR
T.O.W.	TOP OF WINDOW
B.O.W.	BOTTOM OF WINDOW
T.O.R.	TOP OF ROOF
T.O.D.	TOP OF DOOR
T.O.Ca.	TOP OF CAGE
B.O.Ca.	BOTTOM OF CAGE

	BRICK FACING
	BRICK WORK
	REINFORCED CONCRETE
	LEAN CONCRETE
	BLOCKAGE
	GRAVEL
	FACADE GRANITE STONE

REFERENCE DRAWING	DRG. No.
STANDARD DRAWING FOR ARCHITECTURAL DETAILS	BK-GNRL-PEDCO-000-AR-DW-0001
SITE SEWERAGE SYSTEM LAYOUT & DETAILS	BK-GCS-PEDCO-120-CV-PY-0001
CABLE TRENCH AND DUCT BANK LAYOUT	BK-GCS-PEDCO-120-CV-PY-0002
ROAD, PAVING AND PLANT FINISH GRADING LAYOUT & SECTIONS	BK-GCS-PEDCO-120-CV-PY-0005
ELECTRICAL CABLE ROUTE & SECTION LAYOUT FOR BUILDING & SHELTER	BK-GCS-PEDCO-120-EL-PY-0006
FOUNDATION DRAWING FOR CCTV CONTROL ROOM - BINAK GCS	BK-GCS-PEDCO-120-ST-DW-0075
STRUCTURAL DRAWING FOR CCTV CONTROL ROOM - BINAK GCS	BK-GCS-PEDCO-120-ST-DW-0076
STANDARD DETAILS FOR LADDER & SAFETY CAGE	BK-GNRL-PEDCO-000-ST-DW-0009



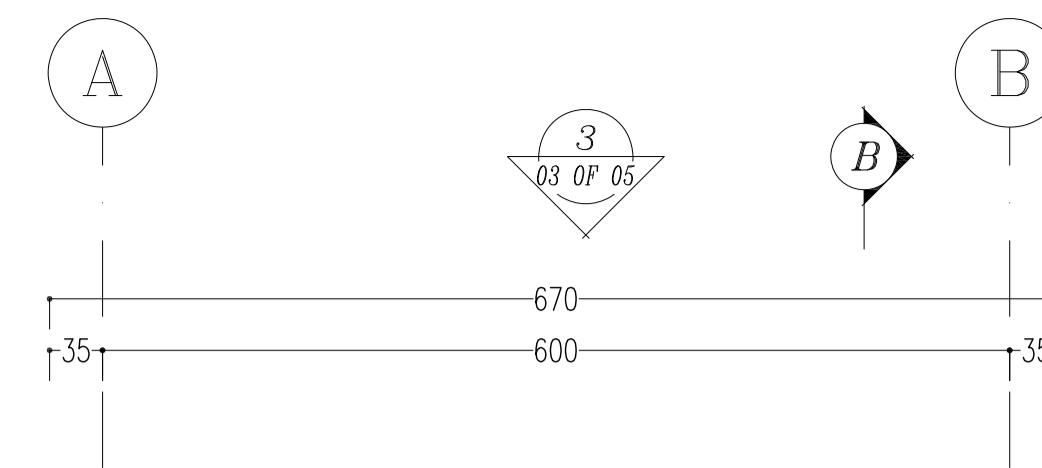
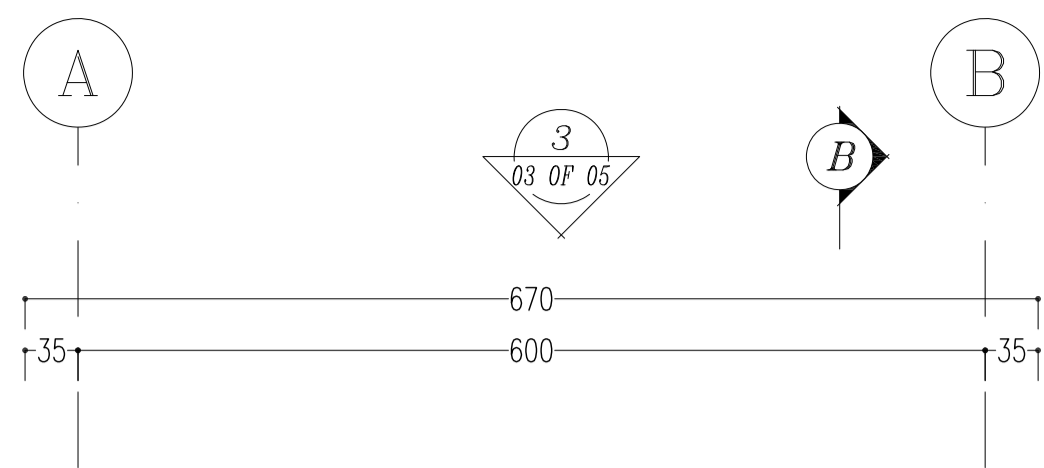
**1** DIMENSION PLAN  
SC.1:50

**4** ROOF PLAN  
SC.1:50

**SPACE TAG NUMBER**

- 100** CONTROL ROOM
- 101** RACK ROOM
- 102** PANTRY
- 103** WC

REV.	DESCRIPTION	BY	DATE	BY	DATE						
D00	JUN-2022	IPC	R.BERLOUE	M.FAKHARIAN	M.MEHRSHAD						
REV.	DATE	P.O.I.S	PREP.	CHK.	APP.	AUT.					
PROJECT NAME: BINAK OILFIELD DEVELOPMENT/SURFACE FACILITIES GAS COMPRESSOR STATION											
PROJECT NO.: 971020											
EPC CONTRACTOR:			EPD/EPC CONTRACTOR (GC):								
HIRGAN ENERGY HIRGAN ENERGY - DESIGN & INSPECTION COMPANIES			PETROIRAN DEVELOPMENT COMPANY PEDCO								
DRAWING TITLE: Architectural Drawing For CCTV Control Room- Binak GCS											
NO CONSTRUCTION PERMITTED UNLESS DRAWING APPROVED											
APPROVED FOR CONSTRUCTION			BY: DATE:								
SCALE	SIZE	DRAWING NO.	SHEET NO.	REV.	BUDGET REF.	LOCATION	SIZE	CLASS	SERIAL NO.	SHEET	REVISION
AS SHOWN	A1	BK-GCS-PEDCO-120-AR-DW-0008	01 OF 05	D00	053-073-9184	F	4	B	709396	01 OF 05	D00

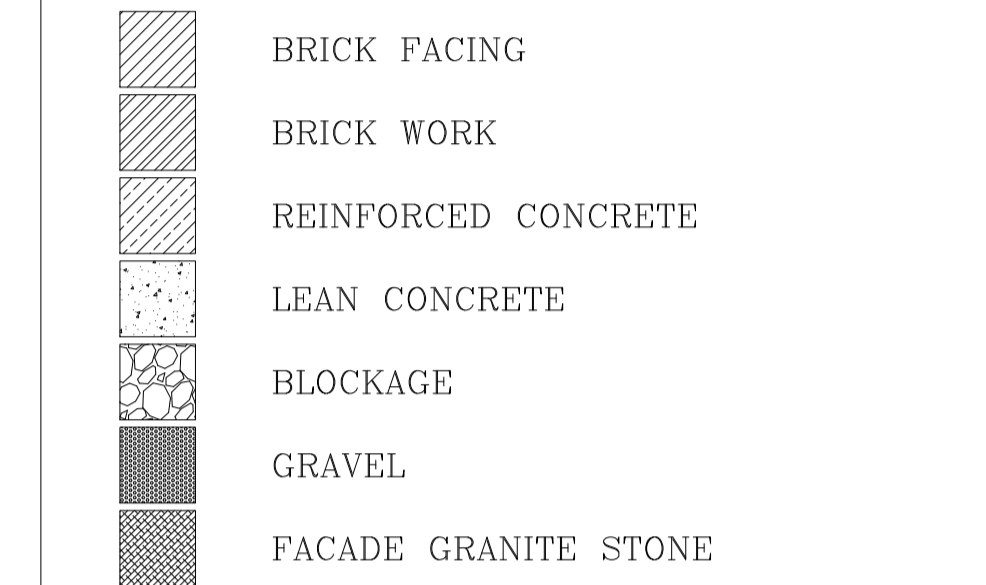


**NOTES**

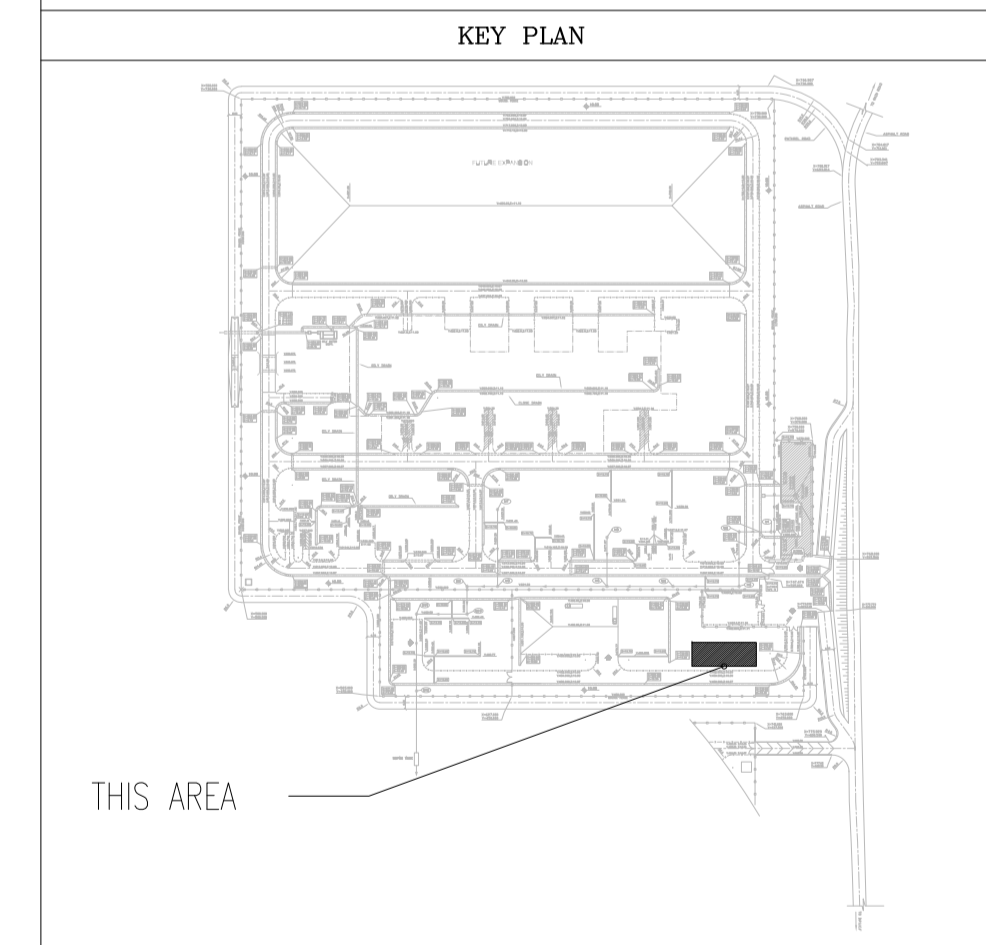
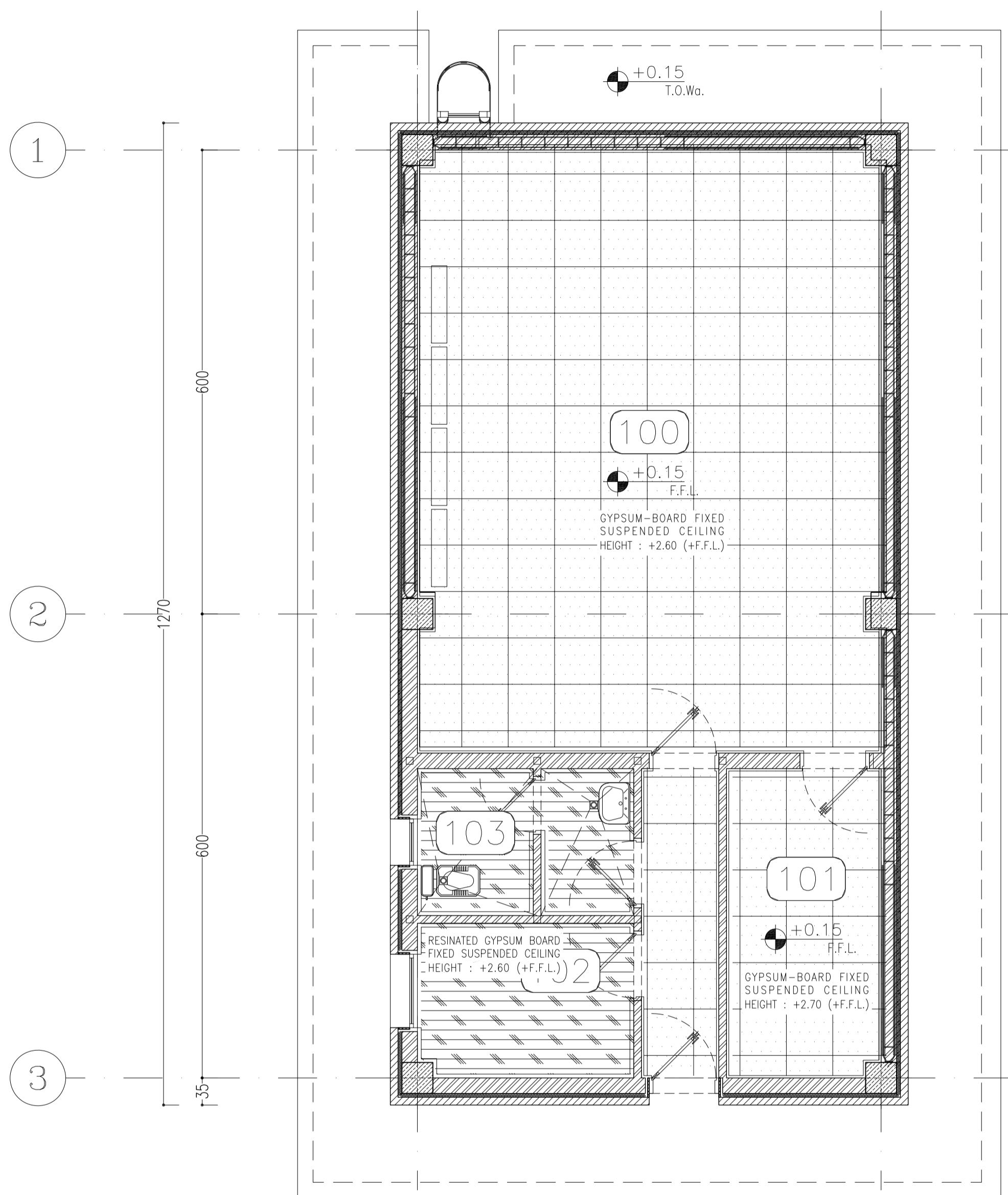
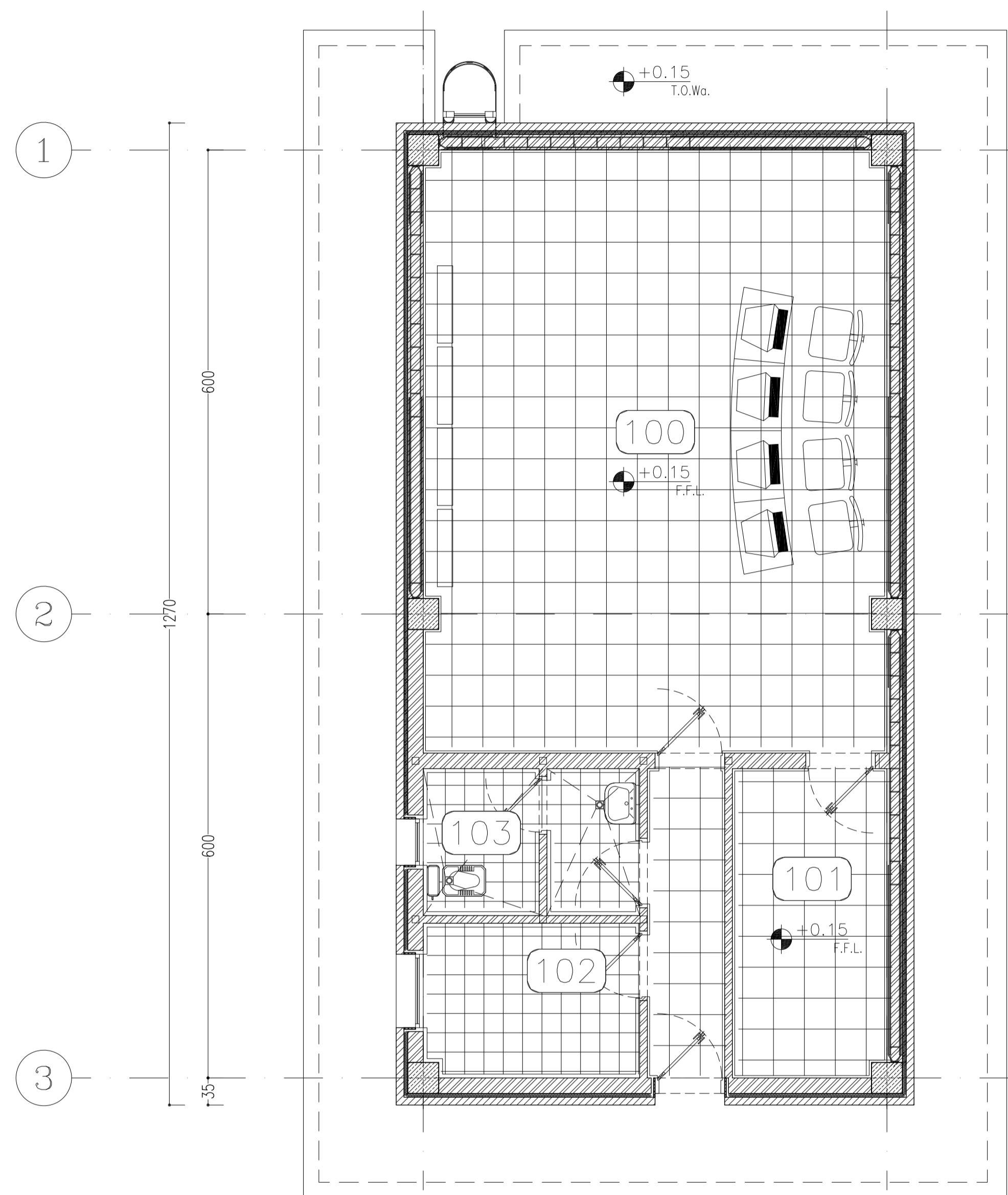
1. ALL DIMENSIONS ARE IN CENTIMETER & ALL ELEVATIONS ARE IN METER.
2. ALL DIMENSIONS AND ELEVATIONS SHALL BE CHECKED BY THE CONTRACTOR PRIOR TO CONSTRUCTION.
3. CONTRACTOR SHALL COMPARE ALL ARCHITECTURAL, MECHANICAL, ELECTRICAL, PIPING AND STRUCTURAL DRAWINGS AND IN CASE OF ANY CONFLICTS OR DISCREPANCY, INFORM THE ENGINEER.
4. ALL MATERIALS ARE SELECTED FROM THE HIGHEST QUALITY AND MUST BE APPROVED BY THE CLIENT.
5. ALL OPENINGS FOR PIPING/CABLING AND HVAC OPENINGS SHALL BE CONSIDERED AS PER RELATED DRAWINGS BEFORE CONSTRUCTION.
6. ELEVATION CODE : LOCAL ±0.0m CORRESPONDS TO GLOBAL +11.10m

**LEGEND**

F.F.L. FINISHED FLOOR LEVEL  
T.O.G. TOP OF GRAVEL  
T.O.Wa. TOP OF WALKWAY  
T.O.P. TOP OF PARAPET  
T.O.Fou. TOP OF FOUNDATION  
T.O.D. TOP OF DOOR  
B.O.D. BOTTOM OF DOOR  
T.O.W. TOP OF WINDOW  
B.O.W. BOTTOM OF WINDOW  
T.O.R. TOP OF ROOF  
T.O.D. TOP OF DOOR  
T.O.Ca. TOP OF CAGE  
B.O.Ca. BOTTOM OF CAGE



REFERENCE DRAWING	DRG. No.
STANDARD DRAWING FOR ARCHITECTURAL DETAILS	BK-GNRL-PEDCO-000-AR-DW-0001
SITE SEWAGE SYSTEM LAYOUT & DETAILS	BK-GCS-PEDCO-120-CV-PY-0001
CABLE TRENCH AND DUCT BANK LAYOUT	BK-GCS-PEDCO-120-CV-PY-0002
ROAD, PAVING AND PLANT FINISH GRADING LAYOUT & SECTIONS	BK-GCS-PEDCO-120-CV-PY-0005
ELECTRICAL CABLE ROUTE & SECTION LAYOUT FOR BUILDING & SHELTER	BK-GCS-PEDCO-120-EL-PY-0006
FOUNDATION DRAWING FOR CCTV CONTROL ROOM - BINAK GCS	BK-GCS-PEDCO-120-ST-DW-0075
STRUCTURAL DRAWING FOR CCTV CONTROL ROOM - BINAK GCS	BK-GCS-PEDCO-120-ST-DW-0076
STANDARD DETAILS FOR LADDER & SAFETY CAGE	BK-GNRL-PEDCO-000-ST-DW-0009



SC.1:50 **2 FLOOR PLAN**

(100)&(101): 60x60cm GRANITE STONE TILES ON SAND-CEMENT MORTAR  
(101)&(102): 30x30cm ANTI-GLAZE CERAMIC TILES ON SAND CEMENT MORTAR

**SPACE TAG NUMBER**

- 100** CONTROL ROOM
- 101** RACK ROOM
- 102** PANTRY
- 103** WC

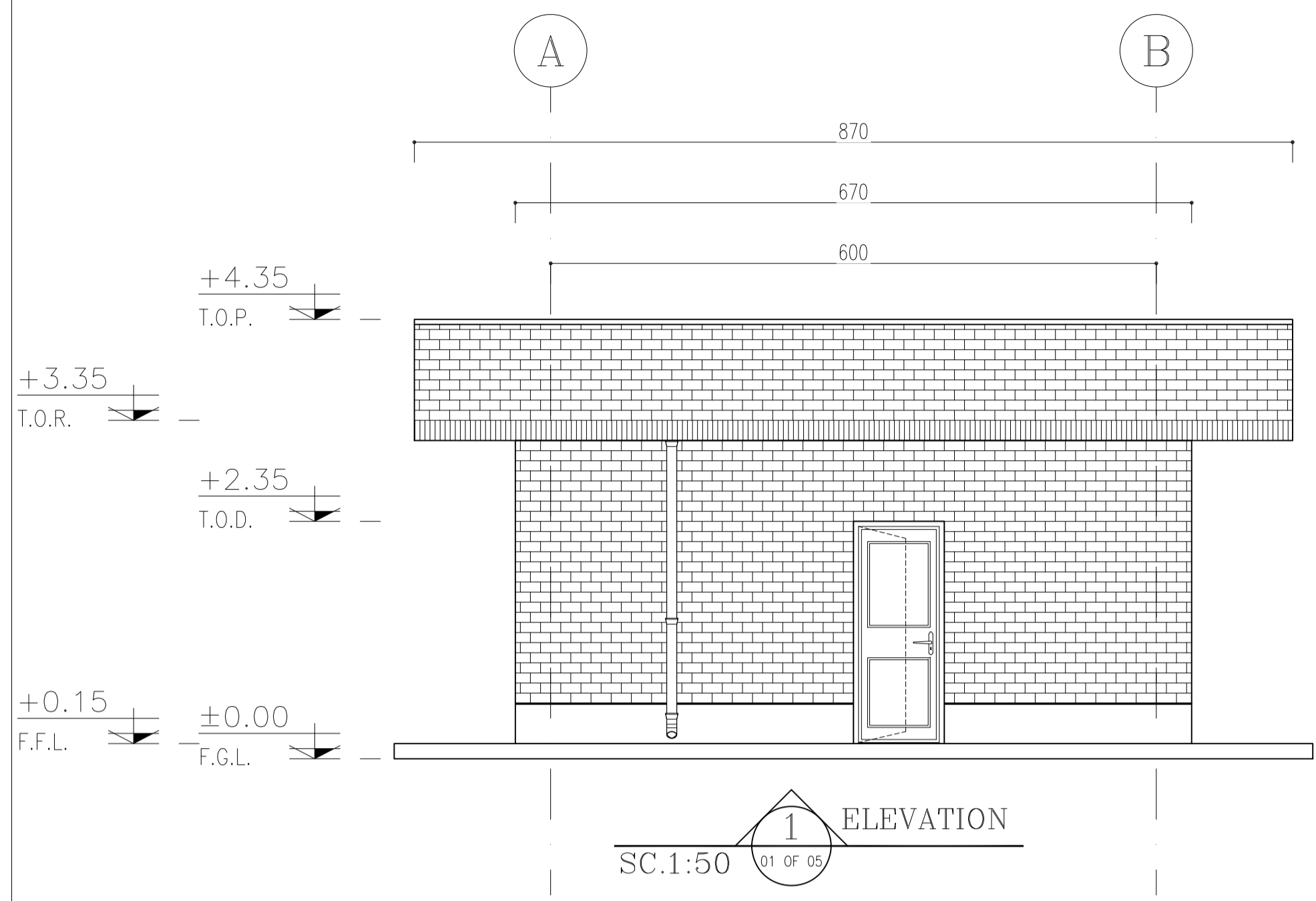
REV.	DATE	DESCRIPTION	BY	DATE	BY	DATE
D00	JUN.2022	IPC	R.BERLOUE	M.FAKHARIAN	M.MEHRSHAD	**
REV.	DATE	P.O.I.S	PREP.	CHK.	APP.	AUT.
<b>PROJECT NAME:</b> BINAK OILFIELD DEVELOPMENT/SURFACE FACILITIES GAS COMPRESSOR STATION <b>PROJECT NO.:</b> 971020 <b>EPC CONTRACTOR:</b> HIRGAN ENERGY (DESIGN & INSPECTION COMPANIES) / TE <b>EPD/EPC CONTRACTOR (GC):</b> PETROIRAN DEVELOPMENT COMPANY / PEDCO <b>DRAWING TITLE:</b> Architectural Drawing For CCTV Control Room- Binak GCS <b>DRAWING REF.:</b> BK-GCS-PEDCO-120-AR-DW-0008 <b>SHEET NO.:</b> 02 OF 05 <b>REV.:</b> D00 <b>BUDGET REF.:</b> 053-073-9184 <b>LOCATION:</b> F <b>SIZE:</b> 4 <b>CLASS:</b> B <b>SERIAL NO.:</b> 709396 <b>DATE:</b> 02 OF 05 <b>REVISION:</b> D00						

اسم و کلیه نسخ این نقشه و حق اقتباس متعلق به شرکت ملی مناطق نفت خیز جنوب میباشد.  
**THE ORIGINAL AND ALL COPIES OF THIS DRAWING TOGETHER WITH THE COPYRIGHT THEREIN ARE THE SOLE PROPERTY OF N.I.S.O.C./ FIELDS**

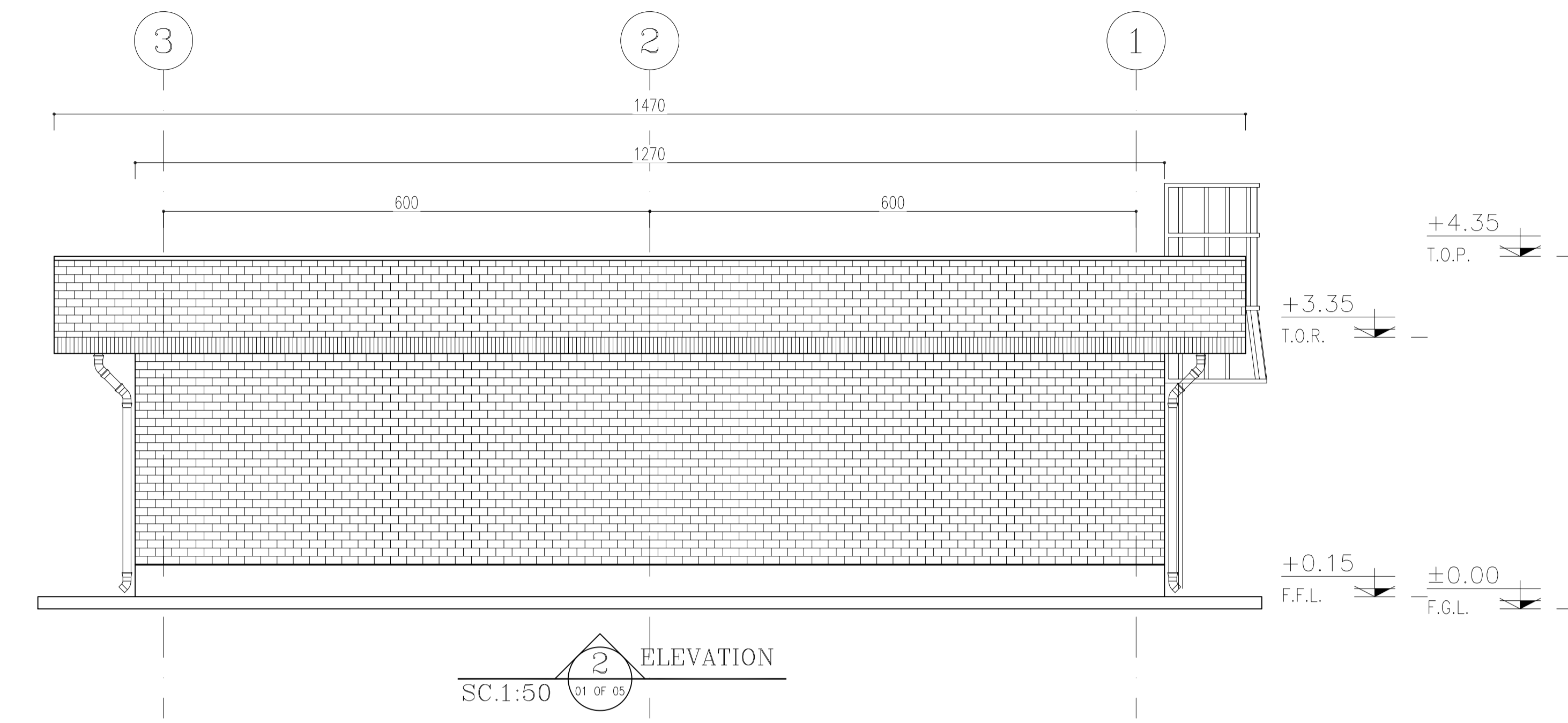
DATE	SCALE	DRAWING BY	CHECKED BY	PROJECT ENG.

NO CONSTRUCTION PERMITTED UNLESS DRAWING APPROVED

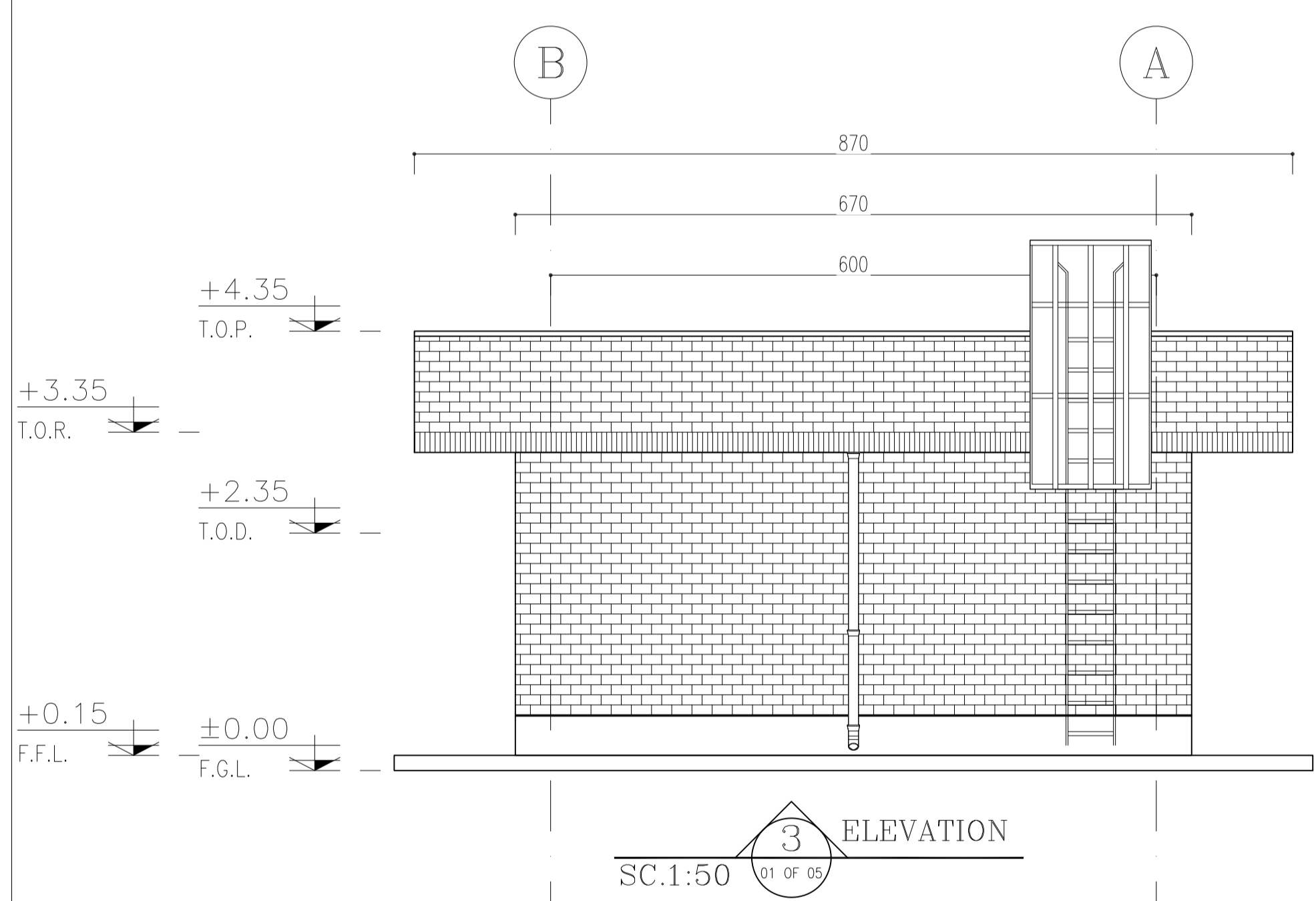
APPROVED FOR CONSTRUCTION	BY:	DATE:



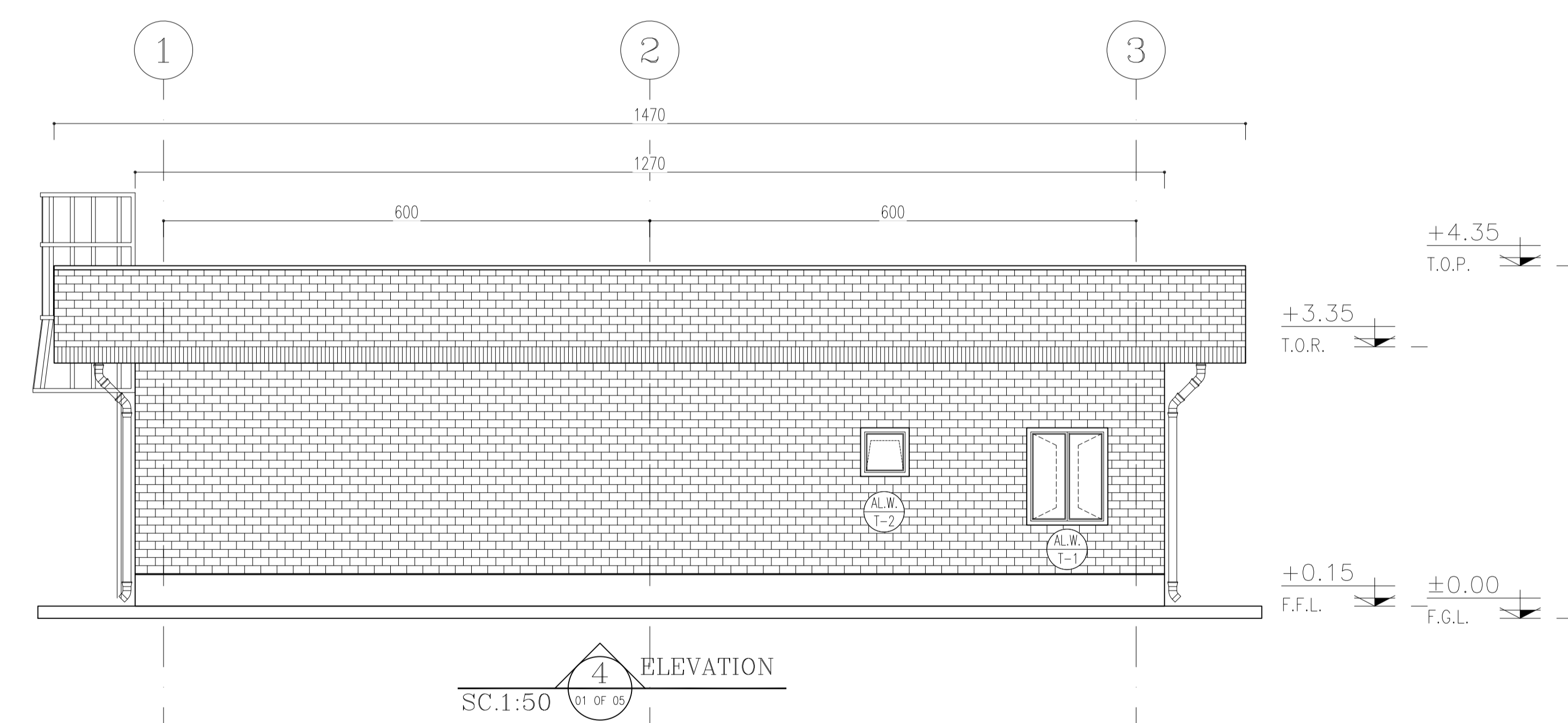
1 ELEVATION  
SC.1:50  
01 OF 05



2 ELEVATION  
SC.1:50  
01 OF 05



3 ELEVATION  
SC.1:50  
01 OF 05



4 ELEVATION  
SC.1:50  
01 OF 05

**NOTES**  
 1. ALL DIMENSIONS ARE IN CENTIMETER & ALL ELEVATIONS ARE IN METER.  
 2. ALL DIMENSIONS AND ELEVATIONS SHALL BE CHECKED BY THE CONTRACTOR PRIOR TO CONSTRUCTION.  
 3. CONTRACTOR SHALL COMPARE ALL ARCHITECTURAL, MECHANICAL, ELECTRICAL, PIPING AND STRUCTURAL DRAWINGS AND IN CASE OF ANY CONFLICTS OR DISCREPANCY, INFORM THE ENGINEER.  
 4. ALL MATERIALS ARE SELECTED FROM THE HIGHEST QUALITY AND MUST BE APPROVED BY THE CLIENT.  
 5. ALL OPENINGS FOR PIPING/CABLING AND HVAC OPENINGS SHALL BE CONSIDERED AS PER RELATED DRAWINGS BEFORE CONSTRUCTION.  
 6. ELEVATION CODE : LOCAL ±0.00m CORRESPONDS TO GLOBAL +11.10m

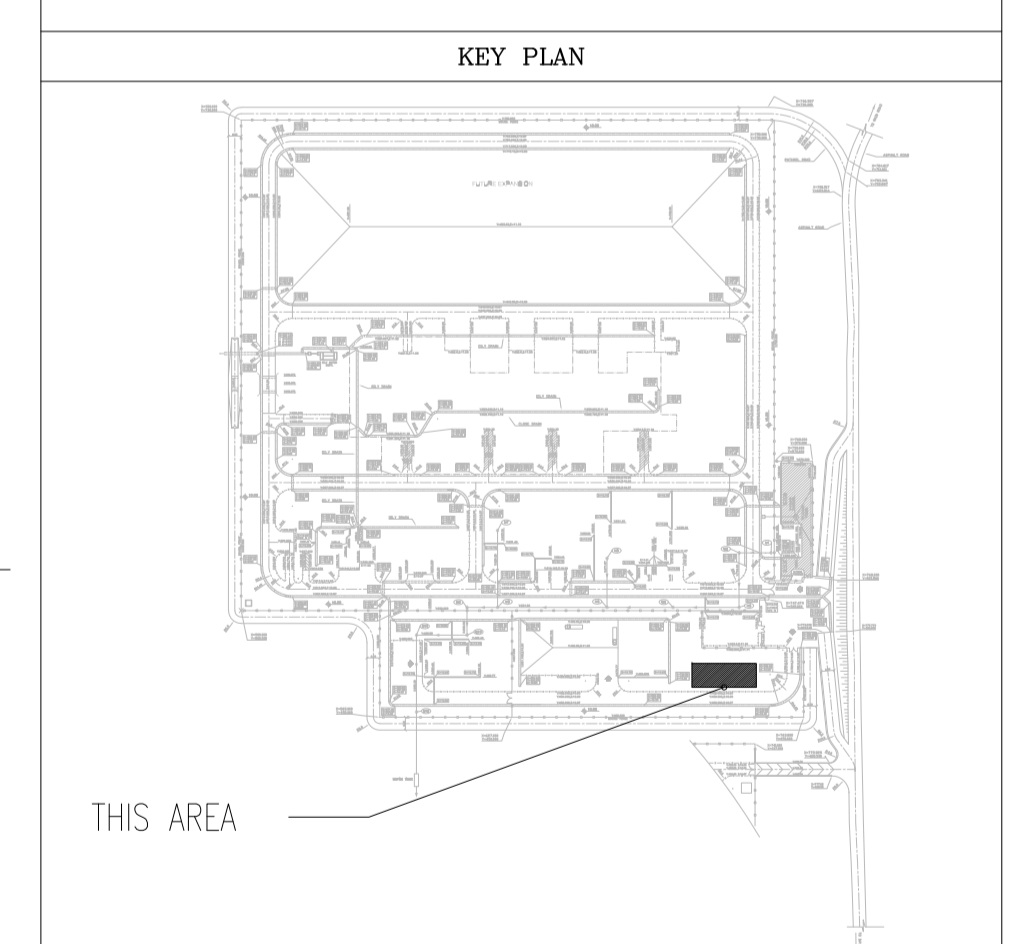
**LEGEND**

F.F.L.	FINISHED FLOOR LEVEL
T.O.G.	TOP OF GRAVEL
T.O.Wa.	TOP OF WALKWAY
T.O.P.	TOP OF PARAPET
T.O.Fou.	TOP OF FOUNDATION
T.O.D.	TOP OF DOOR
B.O.D.	BOTTOM OF DOOR
T.O.W.	TOP OF WINDOW
B.O.W.	BOTTOM OF WINDOW
T.O.R.	TOP OF ROOF
T.O.D.	TOP OF DOOR
T.O.Ca.	TOP OF CAGE
B.O.Ca.	BOTTOM OF CAGE

	BRICK FACING
	BRICK WORK
	REINFORCED CONCRETE
	LEAN CONCRETE
	BLOCKAGE
	GRAVEL
	FACADE GRANITE STONE

REFERENCE DRAWING	DRG. No.
STANDARD DRAWING FOR ARCHITECTURAL DETAILS	BK-GNRL-PEDCO-000-AR-DW-0001
SITE SEWERAGE SYSTEM LAYOUT & DETAILS	BK-GCS-PEDCO-120-CV-PY-0001
CABLE TRENCH AND DUCT BANK LAYOUT	BK-GCS-PEDCO-120-CV-PY-0002
ROAD, PAVING AND PLANT FINISH GRADING LAYOUT & SECTIONS	BK-GCS-PEDCO-120-CV-PY-0005
ELECTRICAL CABLE ROUTE & SECTION LAYOUT FOR BUILDING & SHELTER	BK-GCS-PEDCO-120-EL-PY-0006
FOUNDATION DRAWING FOR CCTV CONTROL ROOM - BINAK GCS	BK-GCS-PEDCO-120-ST-DW-0075
STRUCTURAL DRAWING FOR CCTV CONTROL ROOM - BINAK GCS	BK-GCS-PEDCO-120-ST-DW-0076
STANDARD DETAILS FOR LADDER & SAFETY CAGE	BK-GNRL-PEDCO-000-ST-DW-0009



REV.	DESCRIPTION	BY	DATE	BY	DATE	
D00	JUN.2022	IPC	R.BERLOUE	M.FAKHARIAN	M.MEHRSHAD	***
REV.	DATE	P.O.I.S	PREP.	CHK.	APP.	AUT.

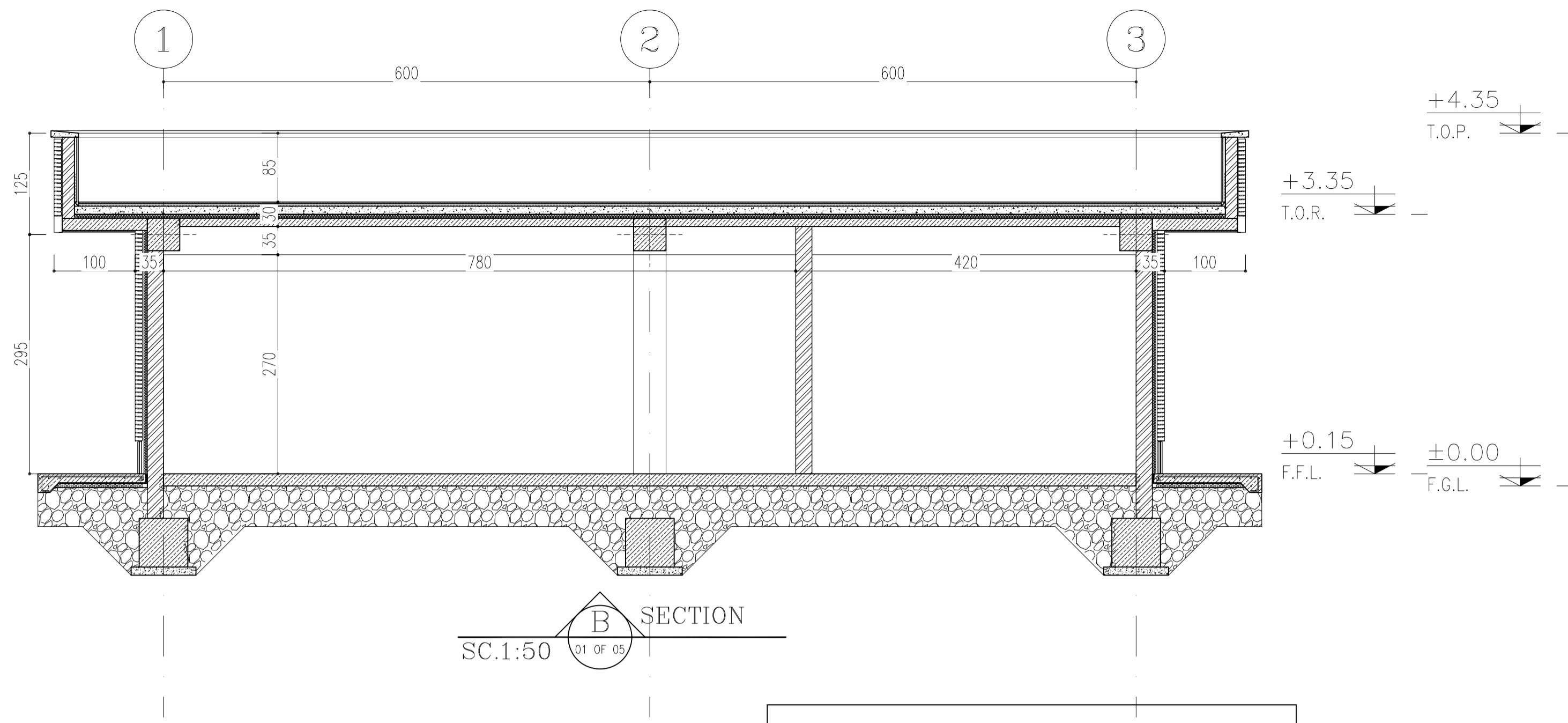
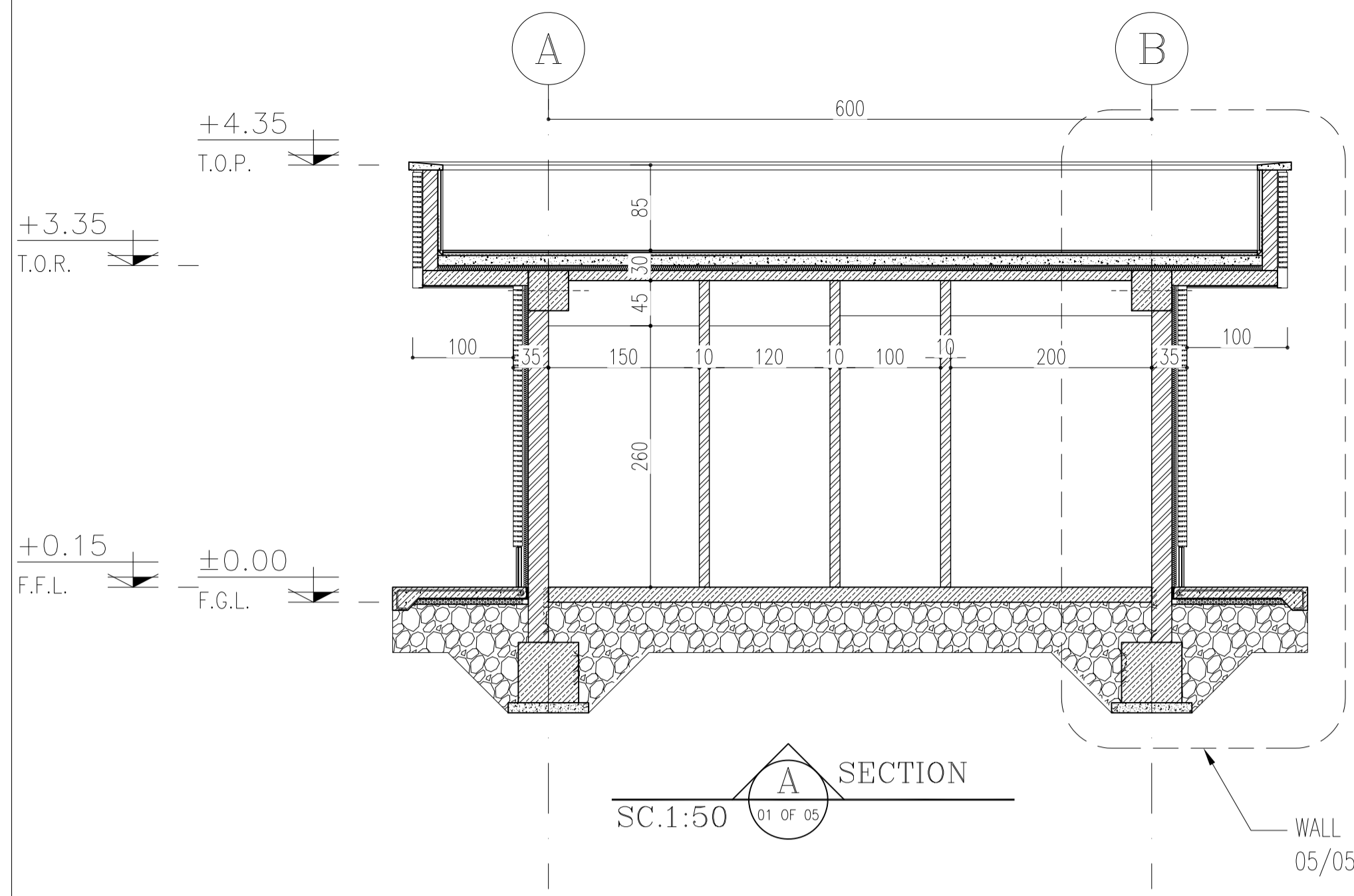
اسم و کلیه نسخ این نقشه و حق اقتباس متعلق به شرکت ملی مناطق نفت خیز جنوب میباشد.  
 THE ORIGINAL AND ALL COPIES OF THIS DRAWING TOGETHER WITH THE COPYRIGHT THEREIN ARE THE SOLE PROPERTY OF N.I.S.O.C./ FIELDS

**PROJECT NAME:** BINAK OILFIELD DEVELOPMENT/SURFACE FACILITIES GAS COMPRESSOR STATION  
**PROJECT NO.:** 971020

**EPC CONTRACTOR:** HIRGAN ENERGY - DESIGN & INSPECTION COMPANIES  
**EPD/EPC CONTRACTOR (GC):** PETROIRAN DEVELOPMENT COMPANY

**DRAWING TITLE:** Architectural Drawing For CCTV Control Room- Binak GCS

SCALE	SIZE	DRAWING NO.	SHEET NO.	REV.	BUDGET REF.	LOCATION	SIZE	CLASS	SERIAL NO.	SHEET	REVISION
AS SHOWN	A1	BK-GCS-PEDCO-120-AR-DW-0008	03 OF 05	D00	053-073-9184	F	4	B	709396	03 OF 05	D00

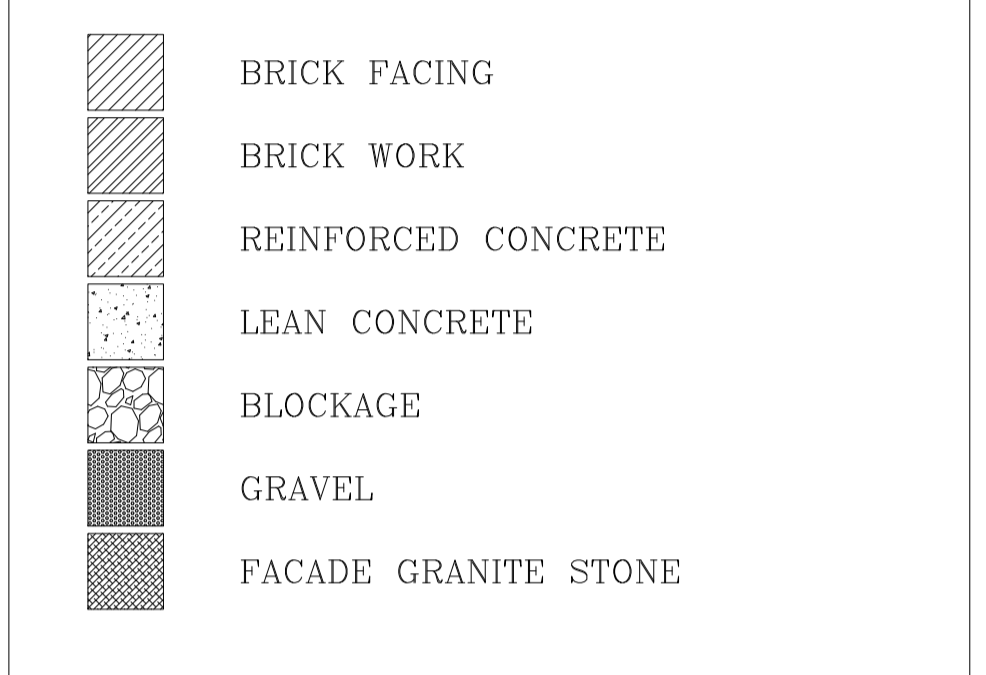


**NOTES**

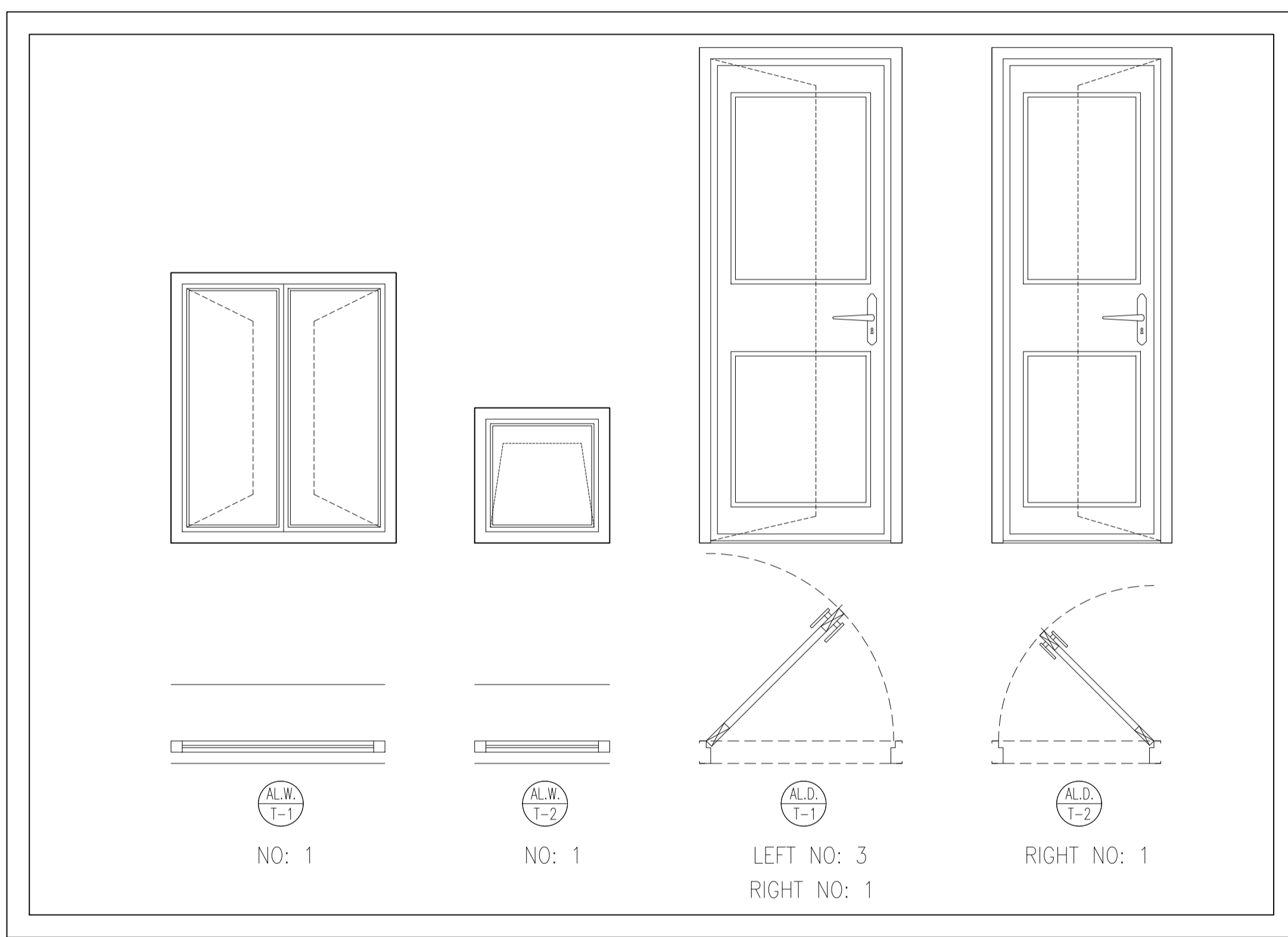
1. ALL DIMENSIONS ARE IN CENTIMETER & ALL ELEVATIONS ARE IN METER.
2. ALL DIMENSIONS AND ELEVATIONS SHALL BE CHECKED BY THE CONTRACTOR PRIOR TO CONSTRUCTION.
3. CONTRACTOR SHALL COMPARE ALL ARCHITECTURAL, MECHANICAL, ELECTRICAL, PIPING AND STRUCTURAL DRAWINGS AND IN CASE OF ANY CONFLICTS OR DISCREPANCY, INFORM THE ENGINEER.
4. ALL MATERIALS ARE SELECTED FROM THE HIGHEST QUALITY AND MUST BE APPROVED BY THE CLIENT.
5. ALL OPENINGS FOR PIPING/CABLING AND HVAC OPENINGS SHALL BE CONSIDERED AS PER RELATED DRAWINGS BEFORE CONSTRUCTION.
6. ELEVATION CODE : LOCAL ±0.0m CORRESPONDS TO GLOBAL +11.10m

**LEGEND**

F.F.L. FINISHED FLOOR LEVEL  
T.O.G. TOP OF GRAVEL  
T.O.Wa. TOP OF WALKWAY  
T.O.P. TOP OF PARAPET  
T.O.Fou. TOP OF FOUNDATION  
T.O.D. TOP OF DOOR  
B.O.D. BOTTOM OF DOOR  
T.O.W. TOP OF WINDOW  
B.O.W. BOTTOM OF WINDOW  
T.O.R. TOP OF ROOF  
T.O.D. TOP OF DOOR  
T.O.Ca. TOP OF CAGE  
B.O.Ca. BOTTOM OF CAGE



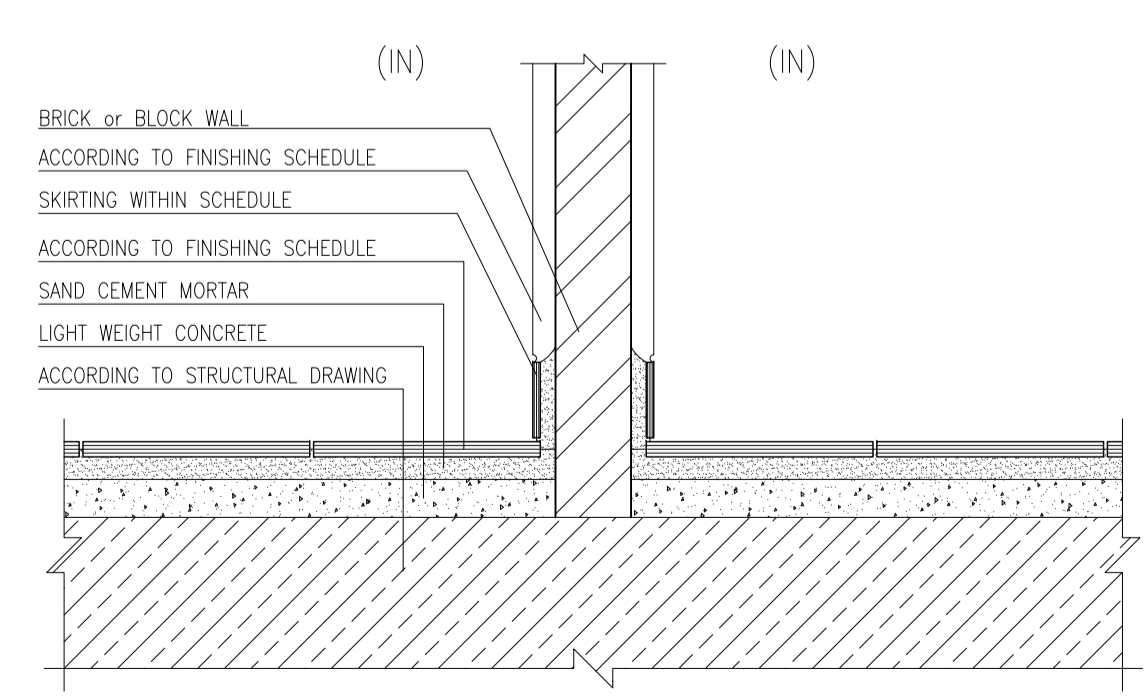
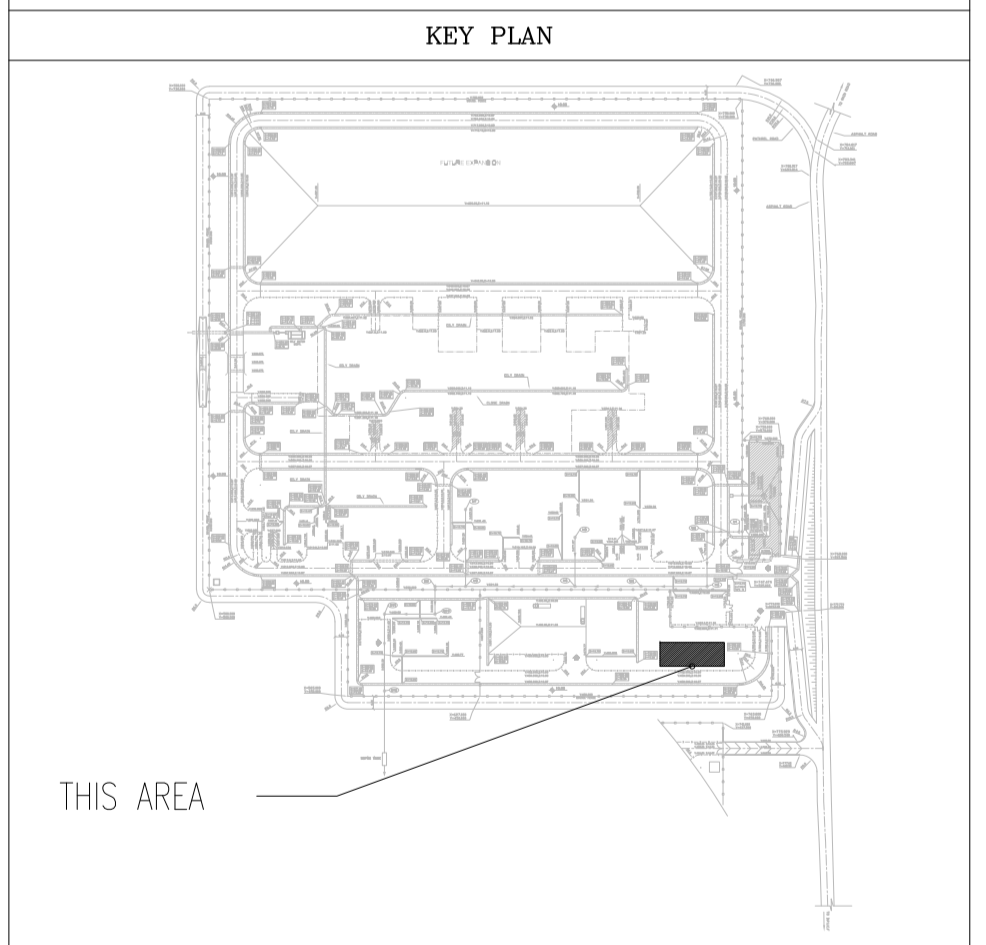
REFERENCE DRAWING	DRG. No.
STANDARD DRAWING FOR ARCHITECTURAL DETAILS	BK-GNRL-PEDCO-000-AR-DW-0001
SITE SEWERAGE SYSTEM LAYOUT & DETAILS	BK-GCS-PEDCO-120-CV-PY-0001
CABLE TRENCH AND DUCT BANK LAYOUT	BK-GCS-PEDCO-120-CV-PY-0002
ROAD, PAVING AND PLANT FINISH GRADING LAYOUT & SECTIONS	BK-GCS-PEDCO-120-CV-PY-0005
ELECTRICAL CABLE ROUTE & SECTION LAYOUT FOR BUILDING & SHELTER	BK-GCS-PEDCO-120-EL-PY-0006
FOUNDATION DRAWING FOR CCTV CONTROL ROOM - BINAK GCS	BK-GCS-PEDCO-120-ST-DW-0075
STRUCTURAL DRAWING FOR CCTV CONTROL ROOM - BINAK GCS	BK-GCS-PEDCO-120-ST-DW-0076
STANDARD DETAILS FOR LADDER & SAFETY CAGE	BK-GNRL-PEDCO-000-ST-DW-0009



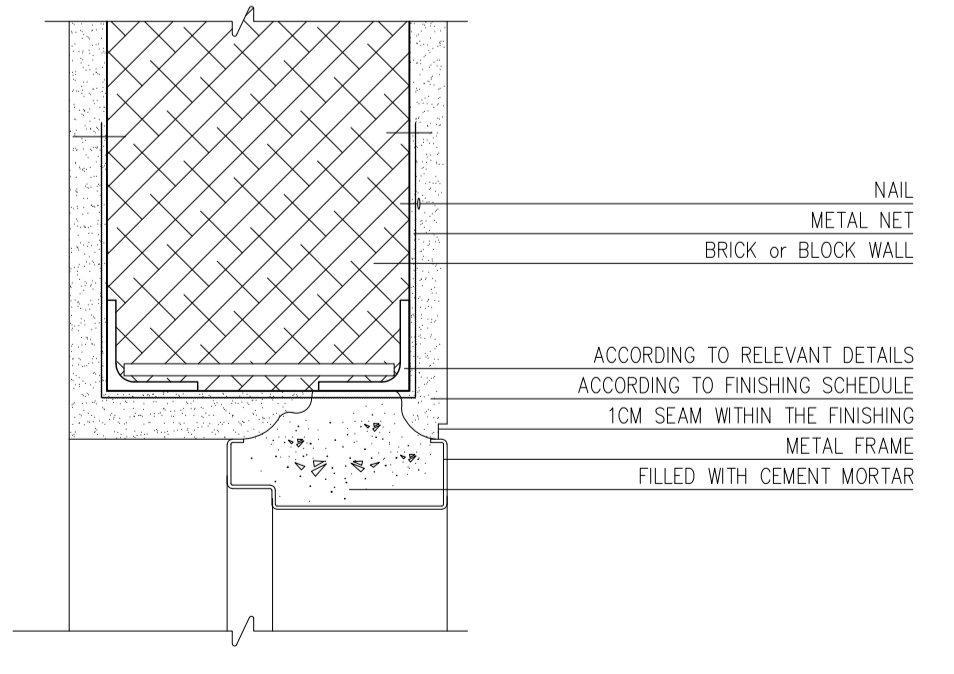
**FINISHING SCHEDULE**

SPACE TAG NUMBER	FLOOR		SKIRTING	WALL		CEILING	
	GRANITE PLAQUE STONE (60x60)	FIRST CLASS IRANIAN CERAMIC TILES	PLAQUE STONE (H=10cm)	GYPSUM PLASTER + OIL PAINT	GLAZED TILE 25x30 UP TO +2.60	KNAUF SUSPENDED CEILING	RESINATED KNAUF SUSPENDED CEILING
100 CONTROL ROOM	●		●	●		●	
101 RACK ROOM	●		●	●		●	
102 PANTRY		●			●		●
103 WC		●			●		●

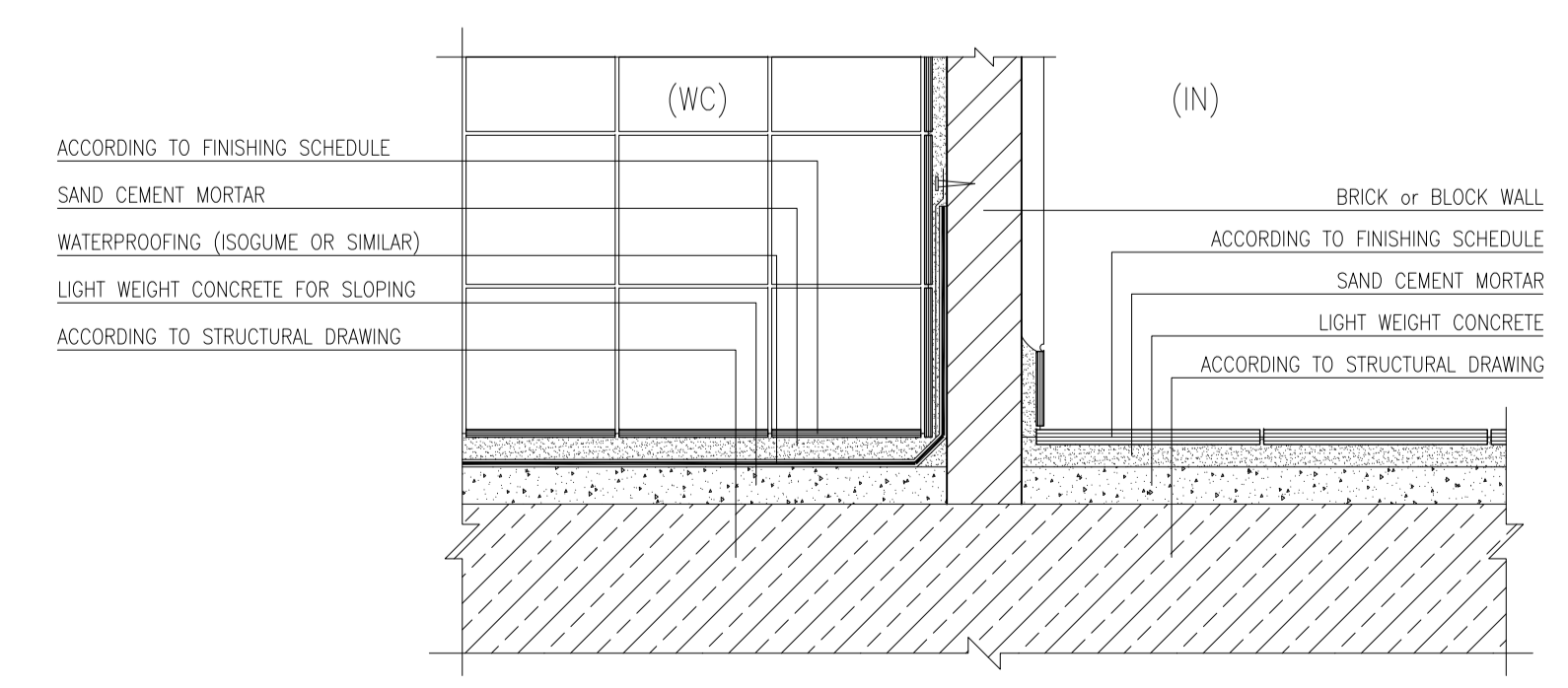
**3 FINISHING SCHEDULE**



**INTERNAL WALL DETAIL (FLOORS)**  
Sc:1/10

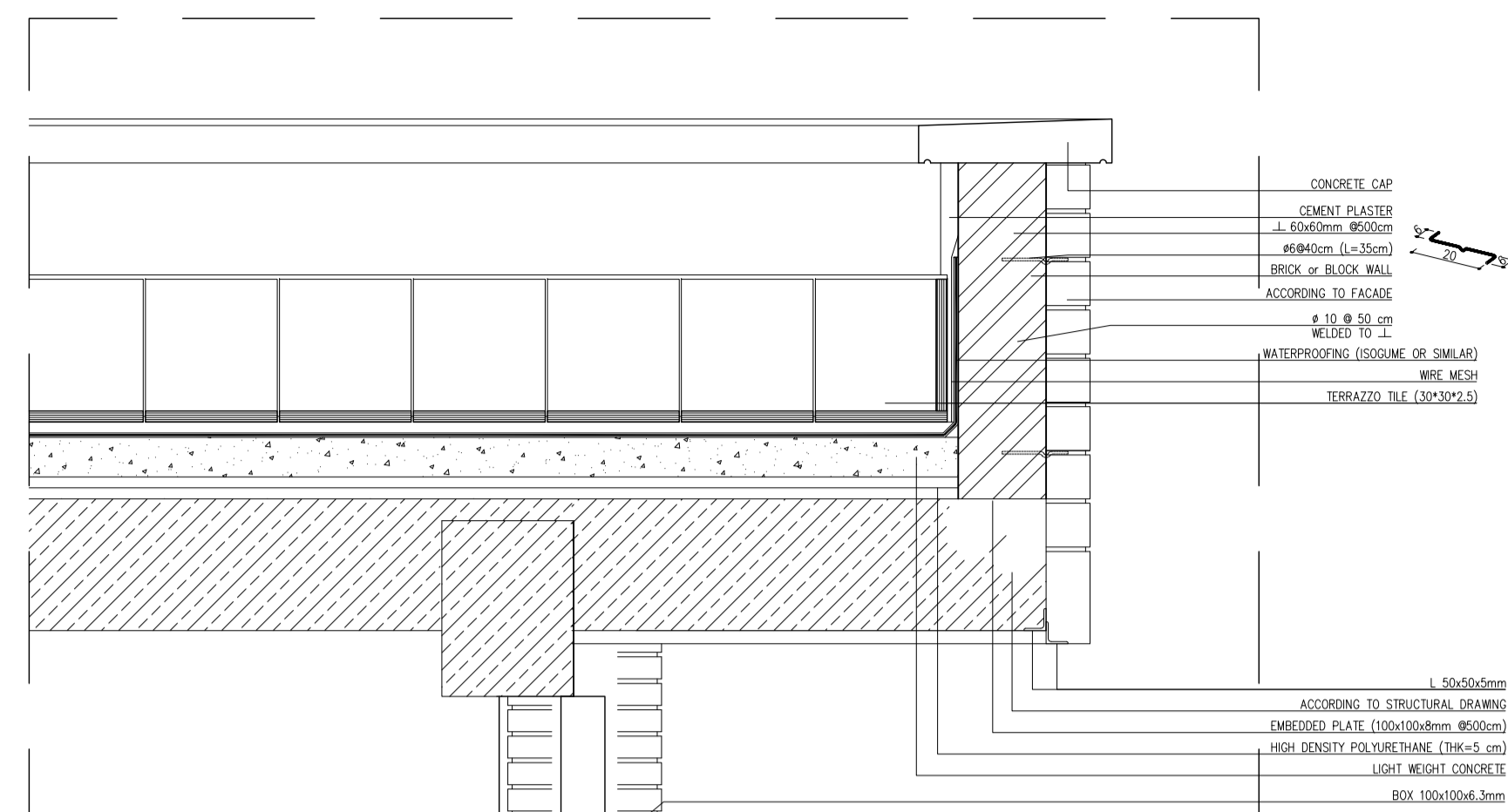


**DOOR FRAME IN 20cm WALL**  
Sc:1/5

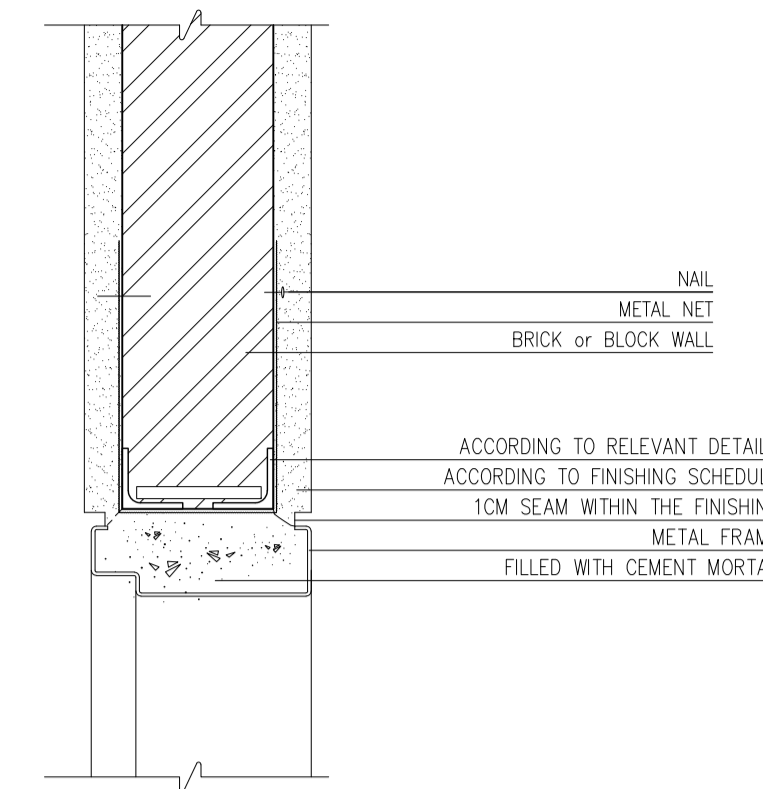


**INTERNAL WALL DETAIL (FLOORS)**  
Sc:1/10  
WET AREA

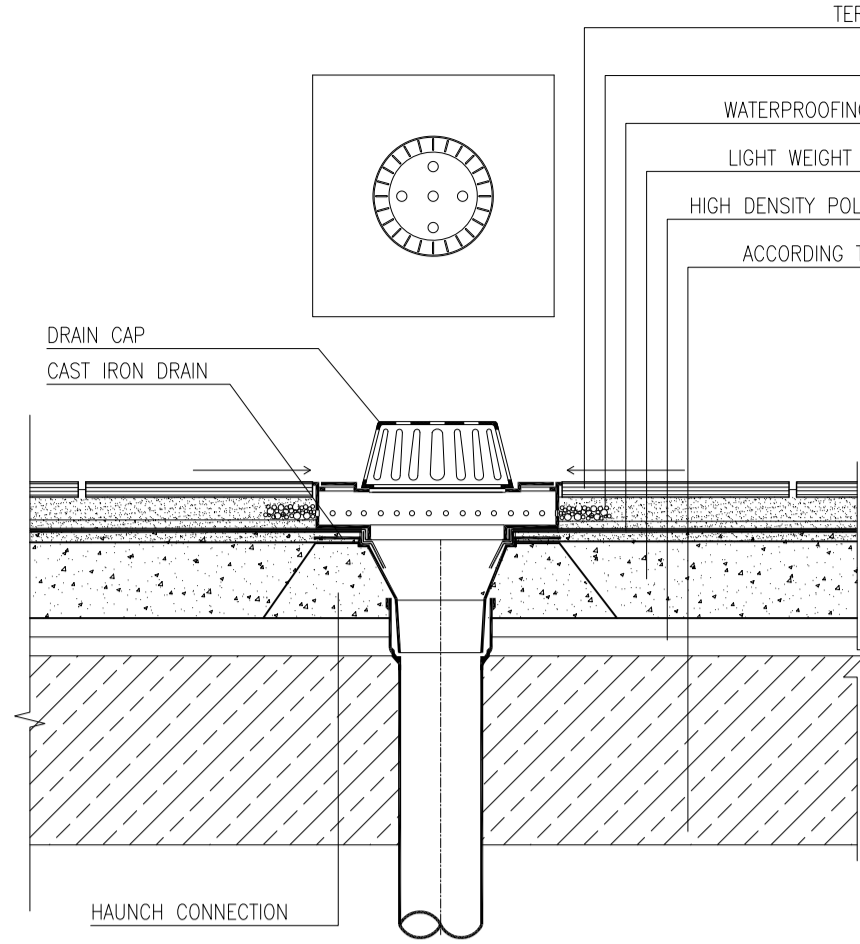
REV.	DATE	DESCRIPTION	BY	DATE	BY	DATE
D00	JUN-2022	IPC	R.BERLOUE	M.FAKHARIAN	M.MEHRSHAD	***
REV.	DATE	P.O.I.S	PREP.	CHK.	APP.	AUT.
PROJECT NAME: BINAK OILFIELD DEVELOPMENT/SURFACE FACILITIES GAS COMPRESSOR STATION						
PROJECT NO.: 971020						
EPC CONTRACTOR:			EPD/EPC CONTRACTOR (GC):			
HIRGAN ENERGY - DESIGN & INSPECTION COMPANIES			PETROIRAN DEVELOPMENT COMPANY			
DRAWING TITLE: Architectural Drawing For CCTV Control Room- Binak GCS						
NO CONSTRUCTION PERMITTED UNLESS DRAWING APPROVED						
APPROVED FOR CONSTRUCTION			BY:		DATE:	
SCALE	SIZE	DRAWING NO.	SHEET NO.	REV.	BUDGET REF.	LOCATION
AS SHOWN	A1	BK-GCS-PEDCO-120-AR-DW-0008	04 OF 05	D00	053-073-9184	F
						CLASS
						SERIAL NO.
						SHEET
						REVISION
						709396
						04 OF 05
						D00



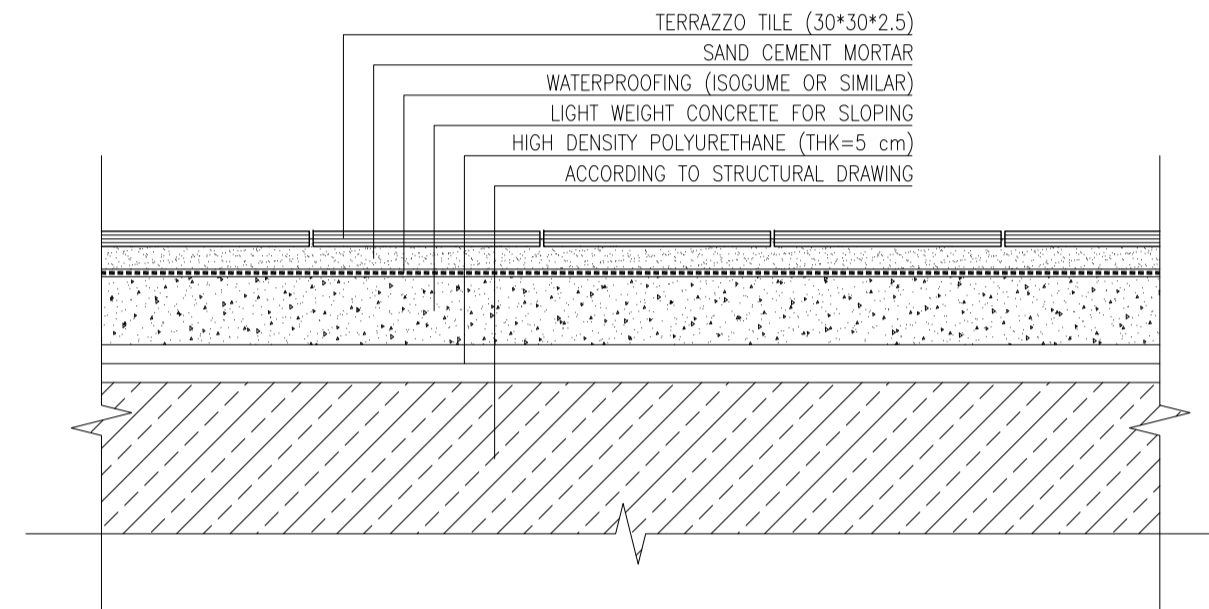
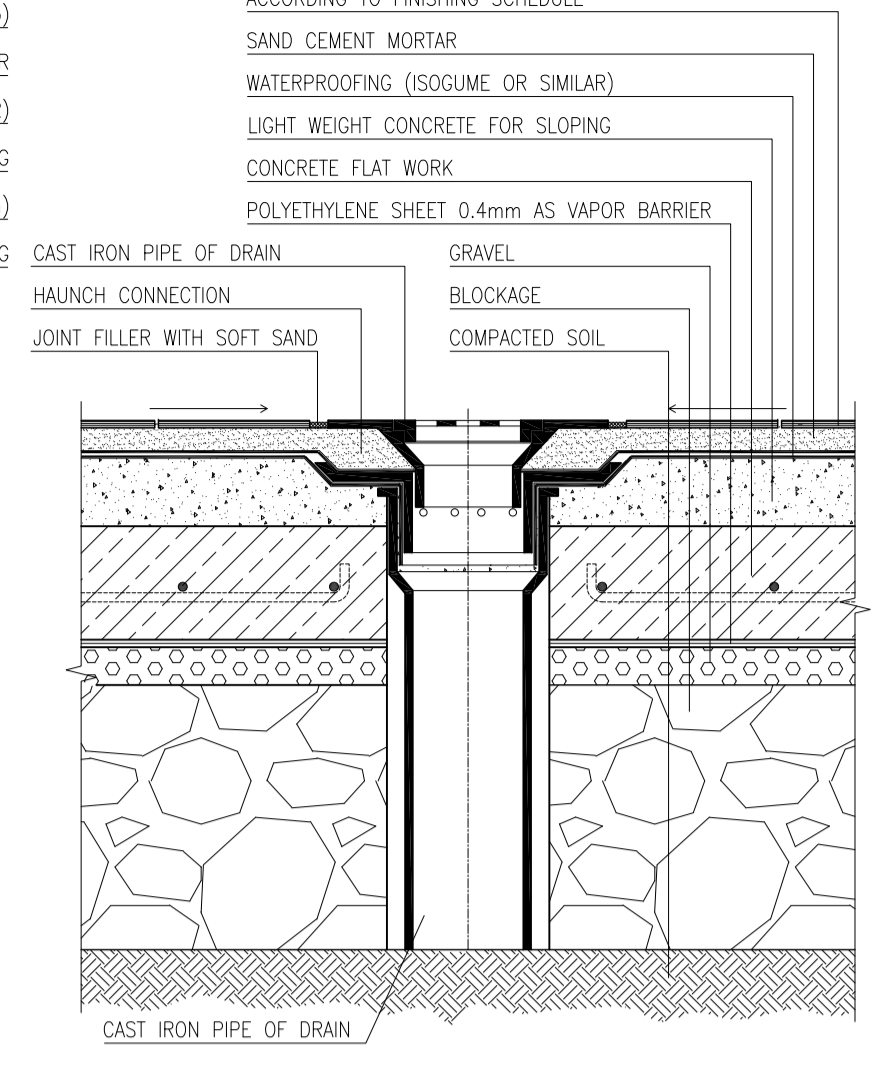
**DOOR FRAME IN 10cm WALL**  
Sc:1/5 DETAIL-34



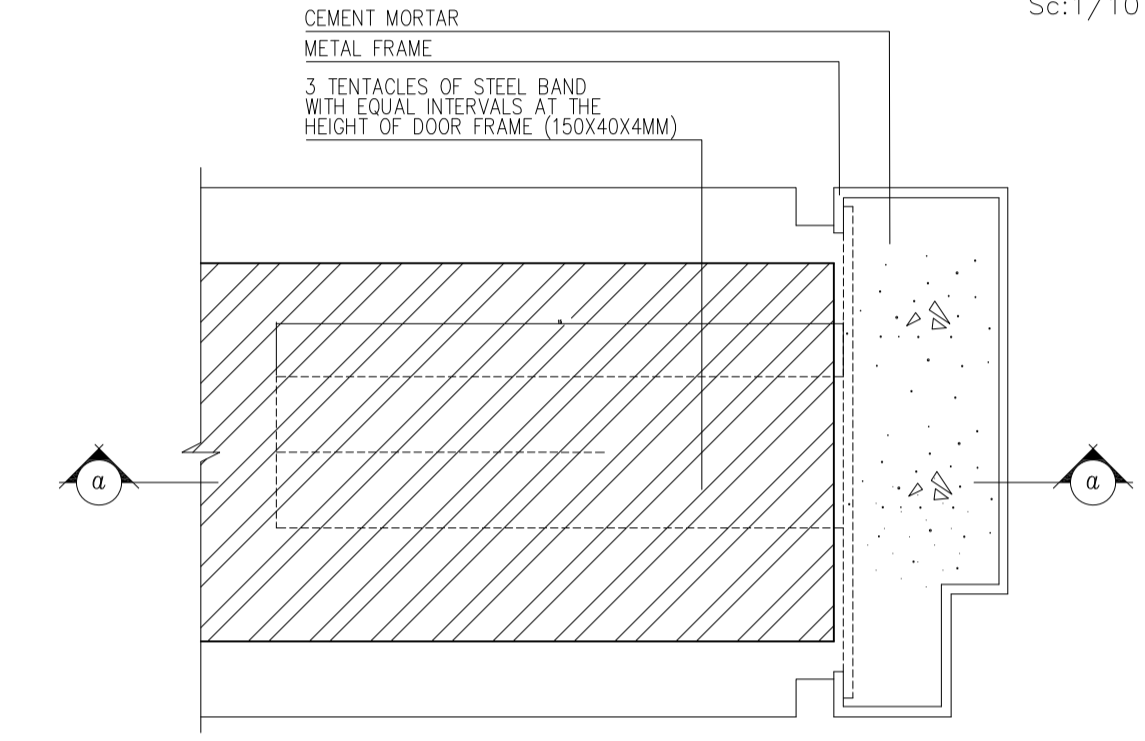
**DRAIN DETAIL (ROOF)**  
Sc:1/10



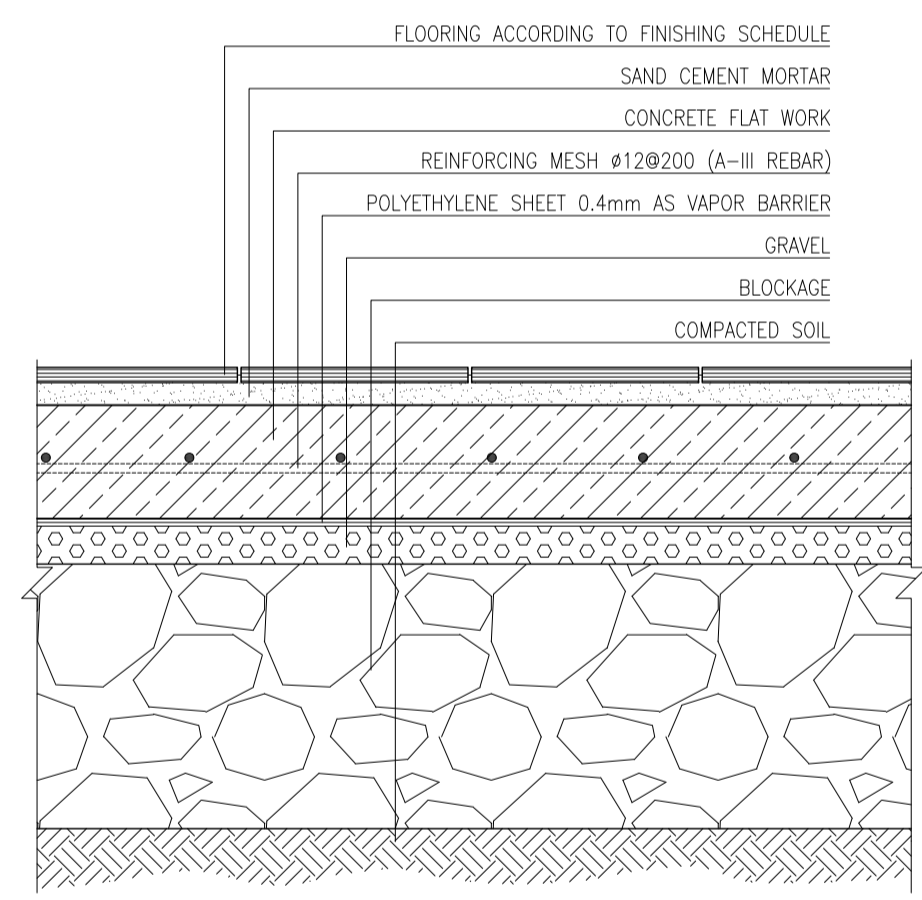
**DRAIN DETAIL (GROUND FLOORS)**  
Sc:1/10



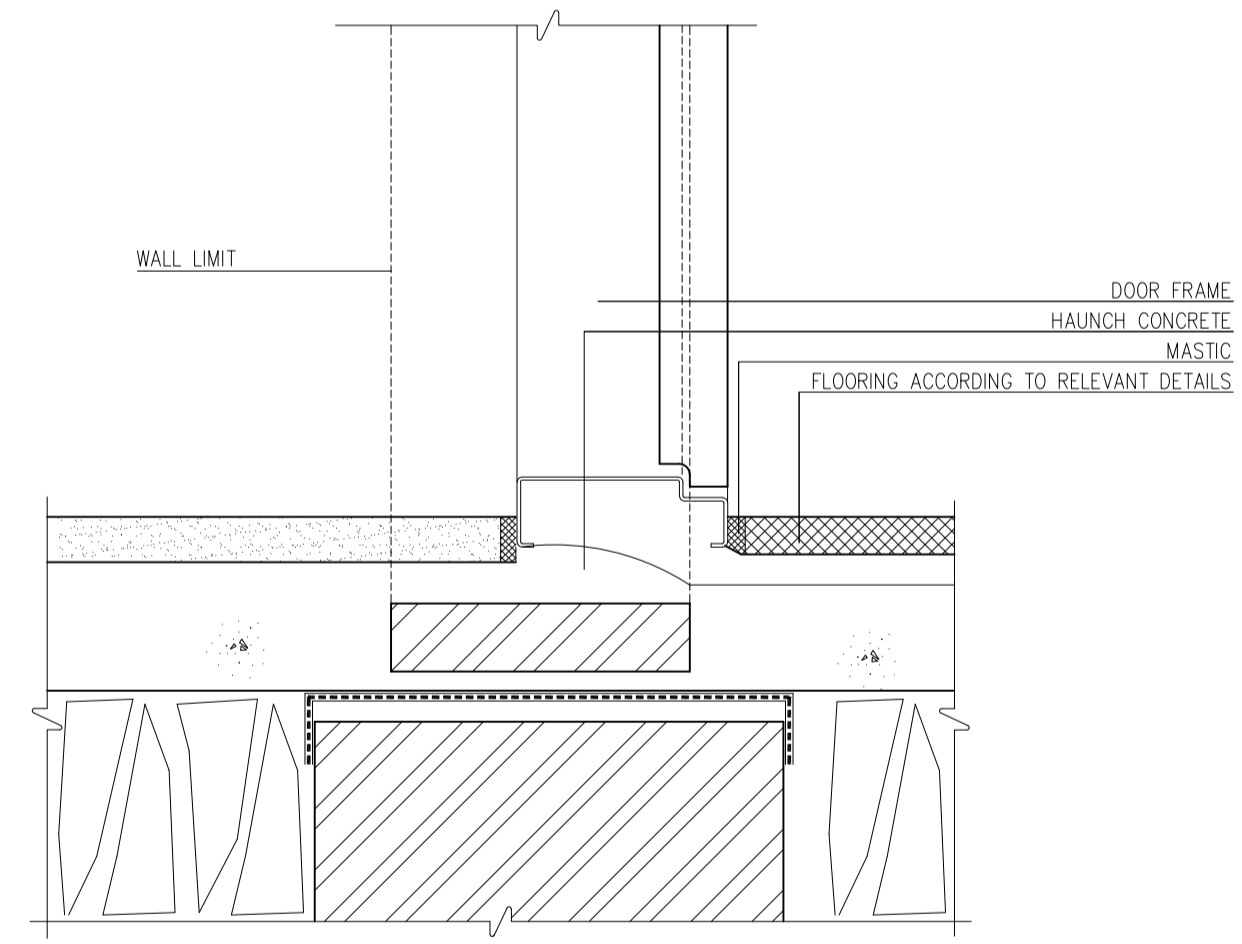
**ROOF FLOOR DETAIL**  
Sc:1/10 DETAIL-04



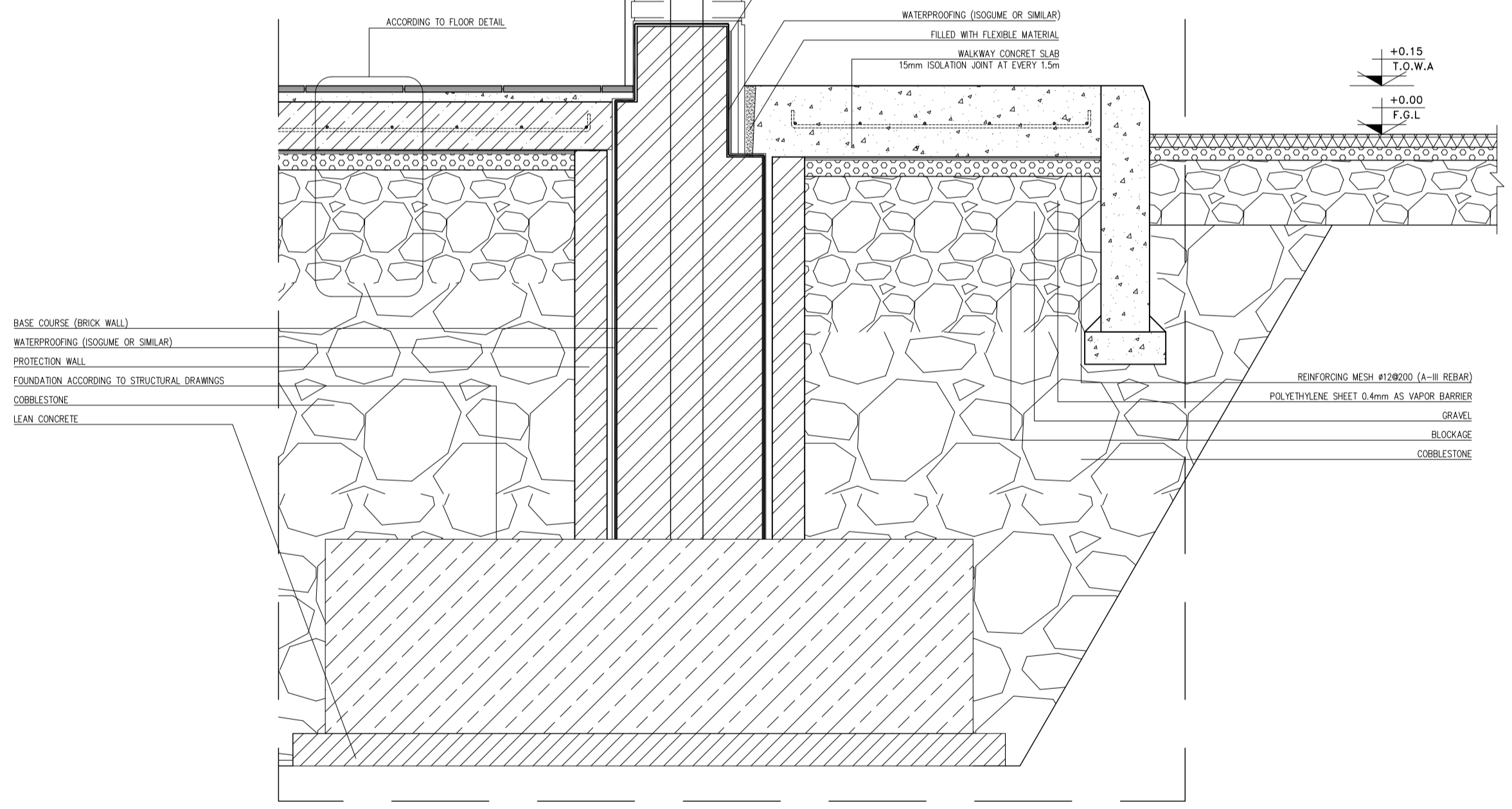
**WOODEN DOOR INSTALLATION LATERAL DETAIL**  
Sc: N.T.S. DETAIL-36



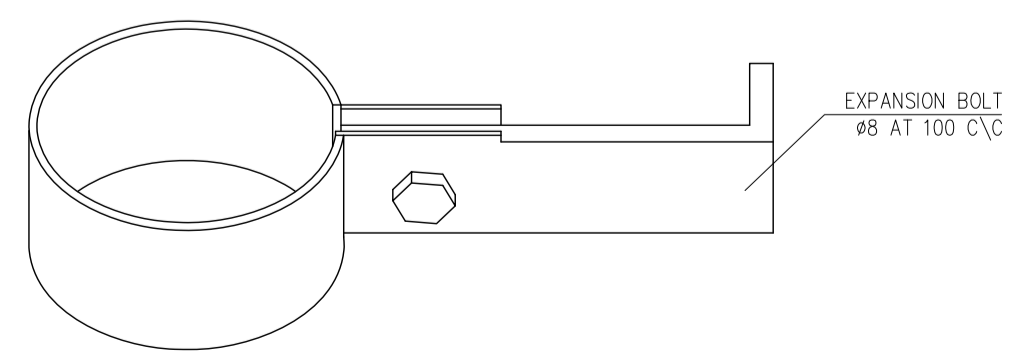
**FLOORING DETAIL (GROUND FLOOR)**  
Sc:1/10 DETAIL-03



**THRESHOLD DETAIL (GROUND FLOOR)**  
Sc: N.T.S. DETAIL-35



**1 WALL SECTION**  
SC.1:15 04 OF 05



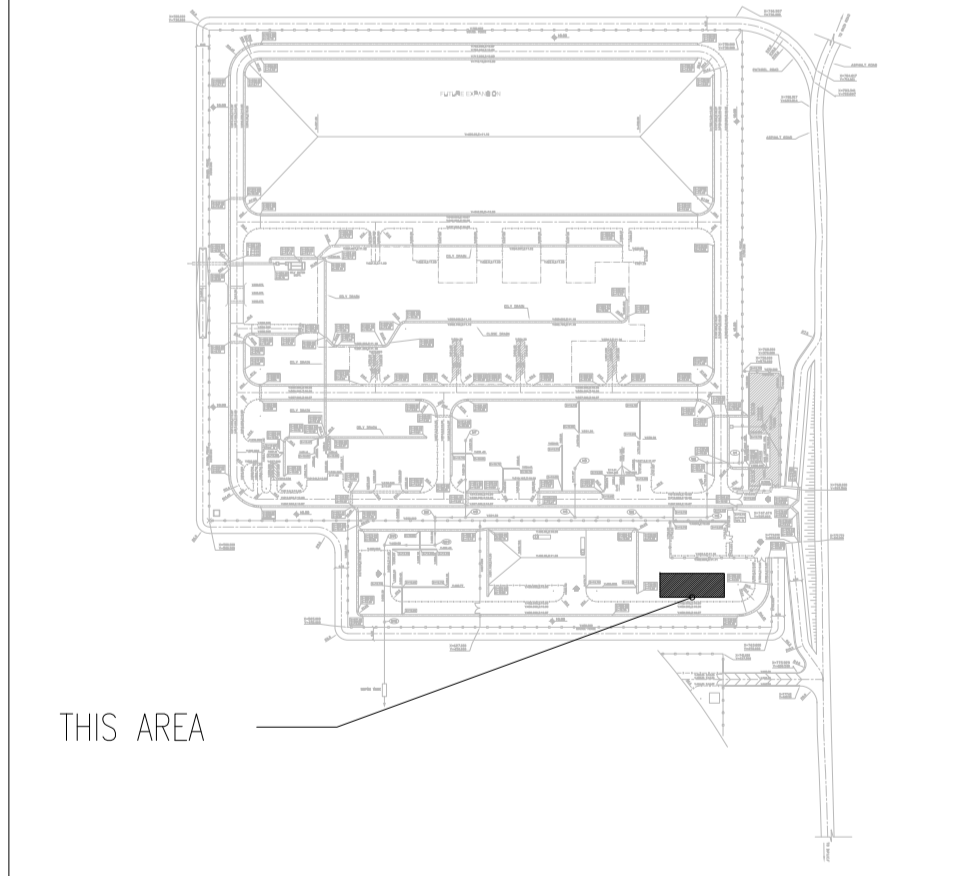
**TYPICAL PIPE CLIP ON TRAPEZOIDAL SHEET**  
Sc:1/5

**NOTES**  
1. ALL DIMENSIONS ARE IN CENTIMETER & ALL ELEVATIONS ARE IN METER.  
2. ALL DIMENSIONS AND ELEVATIONS SHALL BE CHECKED BY THE CONTRACTOR PRIOR TO CONSTRUCTION.  
3. CONTRACTOR SHALL COMPARE ALL ARCHITECTURAL, MECHANICAL, ELECTRICAL, PIPING AND STRUCTURAL DRAWINGS AND IN CASE OF ANY CONFLICTS OR DISCREPANCY, INFORM THE ENGINEER.  
4. ALL MATERIALS ARE SELECTED FROM THE HIGHEST QUALITY AND MUST BE APPROVED BY THE CLIENT.  
5. ALL OPENINGS FOR PIPING/CABLING AND HVAC OPENINGS SHALL BE CONSIDERED AS PER RELATED DRAWINGS BEFORE CONSTRUCTION.  
6. ELEVATION CODE : LOCAL ±0.0m CORRESPONDS TO GLOBAL +11.10m

**LEGEND**

REFERENCE DRAWING	DRG. No.
STANDARD DRAWING FOR ARCHITECTURAL DETAILS	BK-GNRL-PEDCO-000-AR-DW-0001
SITE SEWERAGE SYSTEM LAYOUT & DETAILS	BK-GCS-PEDCO-120-CV-PY-0001
CABLE TRENCH AND DUCT BANK LAYOUT	BK-GCS-PEDCO-120-CV-PY-0002
ROAD, PAVING AND PLANT FINISH GRADING LAYOUT & SECTIONS	BK-GCS-PEDCO-120-CV-PY-0005
ELECTRICAL CABLE ROUTE & SECTION LAYOUT FOR BUILDING & SHELTER	BK-GCS-PEDCO-120-EL-PY-0006
FOUNDATION DRAWING FOR CCTV CONTROL ROOM - BINAK GCS	BK-GCS-PEDCO-120-ST-DW-0075
STRUCTURAL DRAWING FOR CCTV CONTROL ROOM - BINAK GCS	BK-GCS-PEDCO-120-ST-DW-0076
STANDARD DETAILS FOR LADDER & SAFETY CAGE	BK-GNRL-PEDCO-000-ST-DW-0009

**KEY PLAN**



REV.	DESCRIPTION	BY	DATE	BY	DATE
***	*****	**	*****	**	*****
D00	JUN.2022	IPC	R.BERLOUE	M.FAKHARIAN	M.MEHRSHAD
REV.	DATE	P.O.I.S	PREP.	CHK.	APP.
PROJECT NAME: BINAK OILFIELD DEVELOPMENT/SURFACE FACILITIES GAS COMPRESSOR STATION					
PROJECT NO.: 971020					
EPC CONTRACTOR:			EPD/EPC CONTRACTOR (GC):		
HIRGAN ENERGY			PETROIRAN DEVELOPMENT COMPANY		
DRAWING TITLE: Architectural Drawing For CCTV Control Room- Binak GCS					
NO CONSTRUCTION PERMITTED UNLESS DRAWING APPROVED					
APPROVED FOR CONSTRUCTION					
SCALE	SIZE	DRAWING NO.	SHEET NO.	REV.	DATE
AS SHOWN	A1	BK-GCS-PEDCO-120-AR-DW-0008	05 OF 05	D00	053-073-9184
BUDGET REF.	LOCATION	SIZE CLASS	SERIAL NO.	SHEET	REVISION
	F	4	B	709396	05 OF 05