

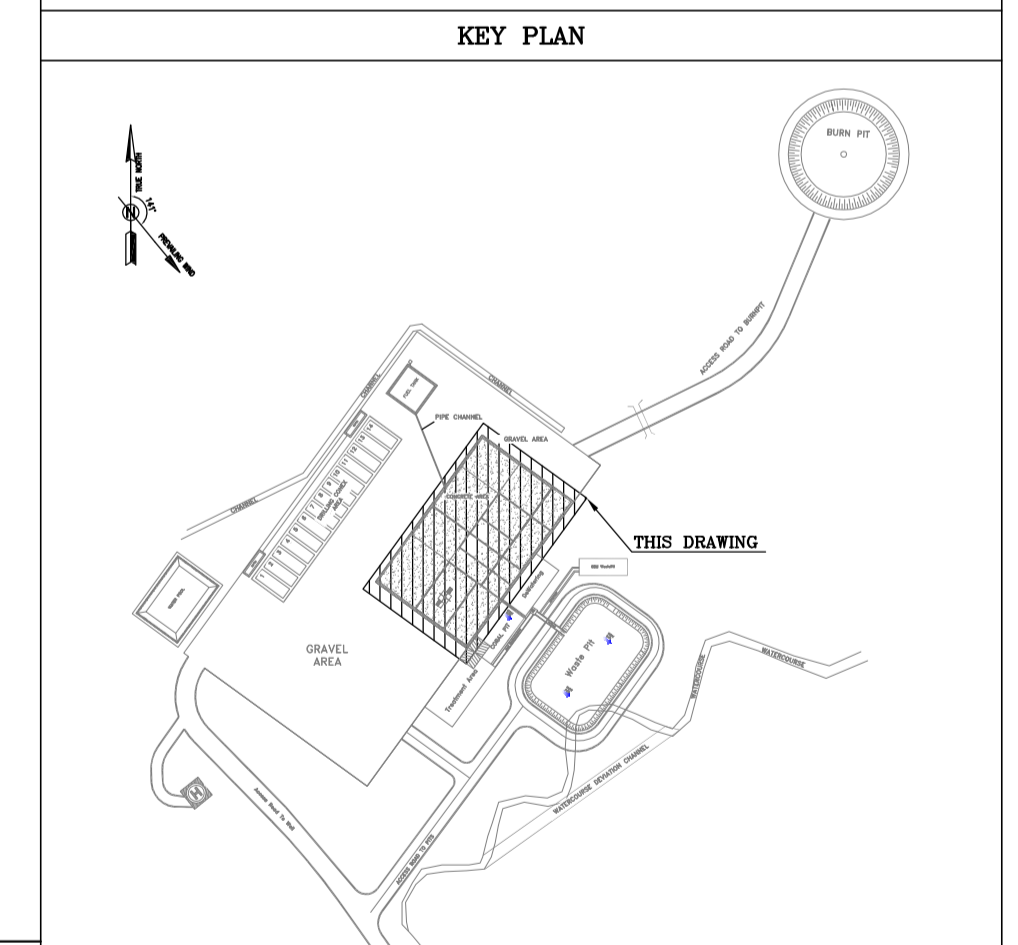
- NOTES**
- 1- ALL COORDINATES ARE IN METER.
 - 2- ALL DIMENSIONS ARE IN MILLIMETERS AND ELEVATIONS ARE IN METER.
 - 3- ALL DRAWINGS SHALL BE CHECKED BY CONTRACTOR WITH RELATIVE DRAWINGS BEFORE CONSTRUCTION.
 - 4- ACCORDING TO THE SPECIFICATION OF CONCRETE WORKS: "BK-GNRL-PEDCO-000-ST-SP-0001", 28 DAYS CHARACTERISTIC COMPRESSIVE STRENGTH OF MAIN CONCRETE IS 25 MPa (ON CYLINDRICAL SPECIMEN)
 - 5- ACCORDING TO THE SPECIFICATION OF CONCRETE WORKS: "BK-GNRL-PEDCO-000-ST-SP-0001", 28 DAYS CHARACTERISTIC COMPRESSIVE STRENGTH OF LEAN CONCRETE IS 15 MPa (ON CYLINDRICAL SPECIMEN)
 - 6- REINFORCING BARS SHALL BE S400 ACCORDING TO; ISIRI3132 AND INBC9 WITH MINIMUM TENSILE YIELD STRENGTH 400 N/mm²
 - 7- MINIMUM FOUNDATION NET CONCRETE COVER SHALL BE 75 mm.
 - 8- SPECIFICATIONS OF THERMO PLAST ACRYLIC COLOR, BASED ON No.3758 NATIONAL STANDARD CODE:
DENSITY : 4.1-5.1 gr/cm³
THICKNESS : 300-400 MICRON
GLOSS : DULL
SOLID MATERIAL PERCENTAGE BY WEIGHT : 75%±2
SOLID MATERIAL PERCENTAGE BY VOLUME : 48%±2
 - 9- JOINT SEALANT MATERIALS SHALL BE WETHER-RESISTANT POLYURETHANE OR SILICONE SCH AS "AEROLASTIC 1674" OR SIMILAR AND SHALL CONFORM TO BS-4254 FOR VERTICAL JOINTS IN WALLS.
 - 10- CONTRACTION JOINTS SHALL BE CONSIDERED IN CONCRETE SLABS EVERY 6m.
 - 11- GEODETIC PARAMETERS FOR COORDINATES ARE AS BELOW:
HORIZONTAL COORDINATE SYSTEM: WGS84/UTM ZONE 39
ELLIPSOID : WORLD GEODETIC SYSTEM 1984 (WGS84)
MAP PROJECTION: UNIVERSAL TRANSVERSE MERCATOR (UTM)
VERTICAL DATUM: MSL

LEGEND AND ABBREVIATION

	REINFORCED CONCRETE	T.O.F.	TOP OF FOUNDATION
	LEAN CONCRETE	T.O.W.	TOP OF WALL
	CEMENT BLOCK WALL	T.O.C.	TOP OF CONCRETE
	GRAVEL	T.O.PIT	TOP OF PIT
	SUB GRADE	B.O.P.	BOTTOM OF PIPE
	SLOPE	R.G.L.	ROUGH GRADING LEVEL

REFERENCE DRAWING

REFERENCE DRAWING	DRG. No.
SPECIFICATION FOR PENCE & GATE	BK-GNRL-PEDCO-000-CV-SP-0003
GENERAL NOTES - STEEL STRUCTURES	BK-GNRL-PEDCO-000-ST-DW-0011
GENERAL NOTES - REINFORCED CONCRETE STRUCTURES	BK-GNRL-PEDCO-000-ST-DW-0012
GENERAL CIVIL LAYOUT - W028	BK-W028-PEDCO-110-CV-PY-0001
ROUGH GRADING PLANS - W028	BK-W028-PEDCO-110-CV-DW-0001
STANDARD DRAWING FOR CULVERT & DETAILS	BK-GNRL-PEDCO-000-CV-DW-0014
STANDARD DETAILS OF MISCELLANEOUS ITEMS	BK-GNRL-PEDCO-000-CV-DW-0040



WELLPAD FOUNDATION PLAN FORMWORK
1:100

TABLE 1 (CORNERS COORDINATES)

POINT	E	N
POINT 1	E=437101.775	N=3293096.177
POINT 2	E=437139.387	N=3293147.959
POINT 3	E=437172.074	N=3293124.216
POINT 4	E=437134.462	N=3293072.434
POINT 5	E=437158.881	N=3293106.052
POINT 6	E=437166.972	N=3293100.175

REV.	DATE	P.O.I.S	PREP.	CHK.	APP.	AUT.
D05	JUL.2022	IFA	R. BERLOUFI	M.FAKHARIAN	M.MEHRSHAD	***
D04	JUN.2022	IFA	R. BERLOUFI	M.FAKHARIAN	M.MEHRSHAD	***
D03	MAY.2022	IFA	R. BERLOUFI	M.FAKHARIAN	M.MEHRSHAD	***
D02	MAR.2022	IFA	R. BERLOUFI	M.FAKHARIAN	M.MEHRSHAD	***
D01	NOV.2021	IFA	R. BERLOUFI	M.FAKHARIAN	M.MEHRSHAD	***
D00	OCT.2021	IPC	R. BERLOUFI	M.FAKHARIAN	SH.GHALUKAR	***

PROJECT NAME: BINAK OILFIELD DEVELOPMENT/SUB-SURFACE WORK PACKAGES W028 WELLHEAD FACILITIES

PROJECT NO.: 971020

EPC CONTRACTOR: HIRGAN ENERGY - DESIGN & INSPECTION COMPANIES

EPD/EPC CONTRACTOR(GC): PETROIRAN DEVELOPMENT COMPANY

DRAWING TITLE: CIVIL AND STRUCTURAL DRAWINGS-W028S WELLPAD FOUNDATION FORMWORK PLAN

SCALE	SIZE	DRAWING NO.	SHEET NO.	REV.	BUDGET REF.	LOCATION	SIZE CLASS	SERIAL NO.	SHEET	REVISION
AS SHOWN	A1	BK-W028-PEDCO-110-CV-PY-0002	01 OF 42	D05	053-073-9184	F	4	S	707548	1

REV.	DESCRIPTION	BY	DATE	BY	DATE

اسم و کلیه نسخ این نقشه و حق اقتباس متعلق به شرکت ملی مناطق نفت خیز جنوب میباشد.

THE ORIGINAL AND ALL COPIES OF THIS DRAWING TOGETHER WITH THE COPYRIGHT THEREIN ARE THE SOLE PROPERTY OF N.I.S.O.C./ FIELDS

BINAK OILFIELD DEVELOPMENT SUB-SURFACE WORK PACKAGES W028 WELLHEAD FACILITIES

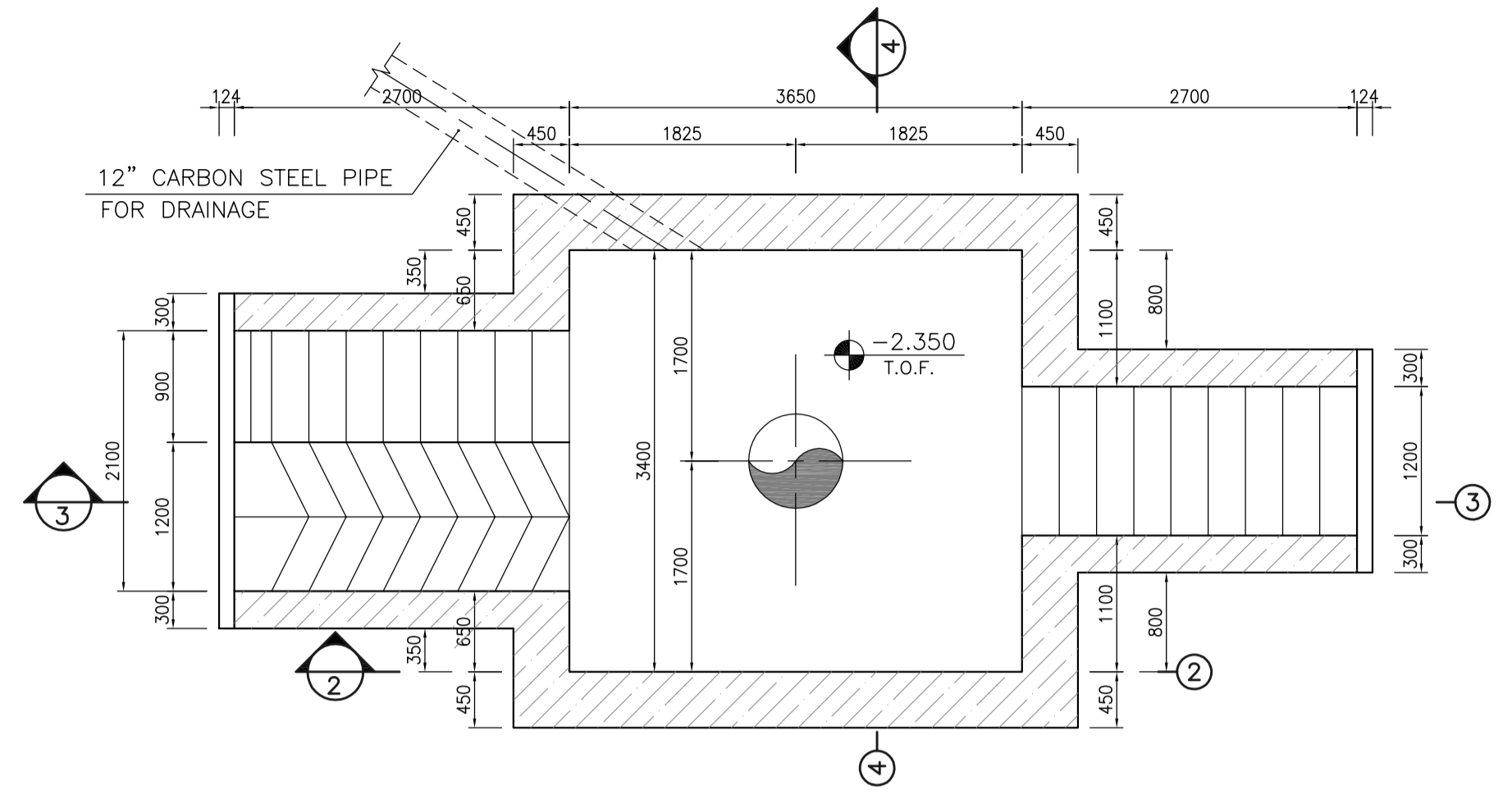
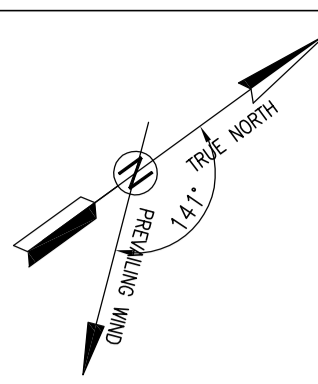
DATE	SCALE	DRAWING BY	CHECKED BY	PROJECT ENG.

NO CONSTRUCTION PERMITTED UNLESS DRAWING APPROVED

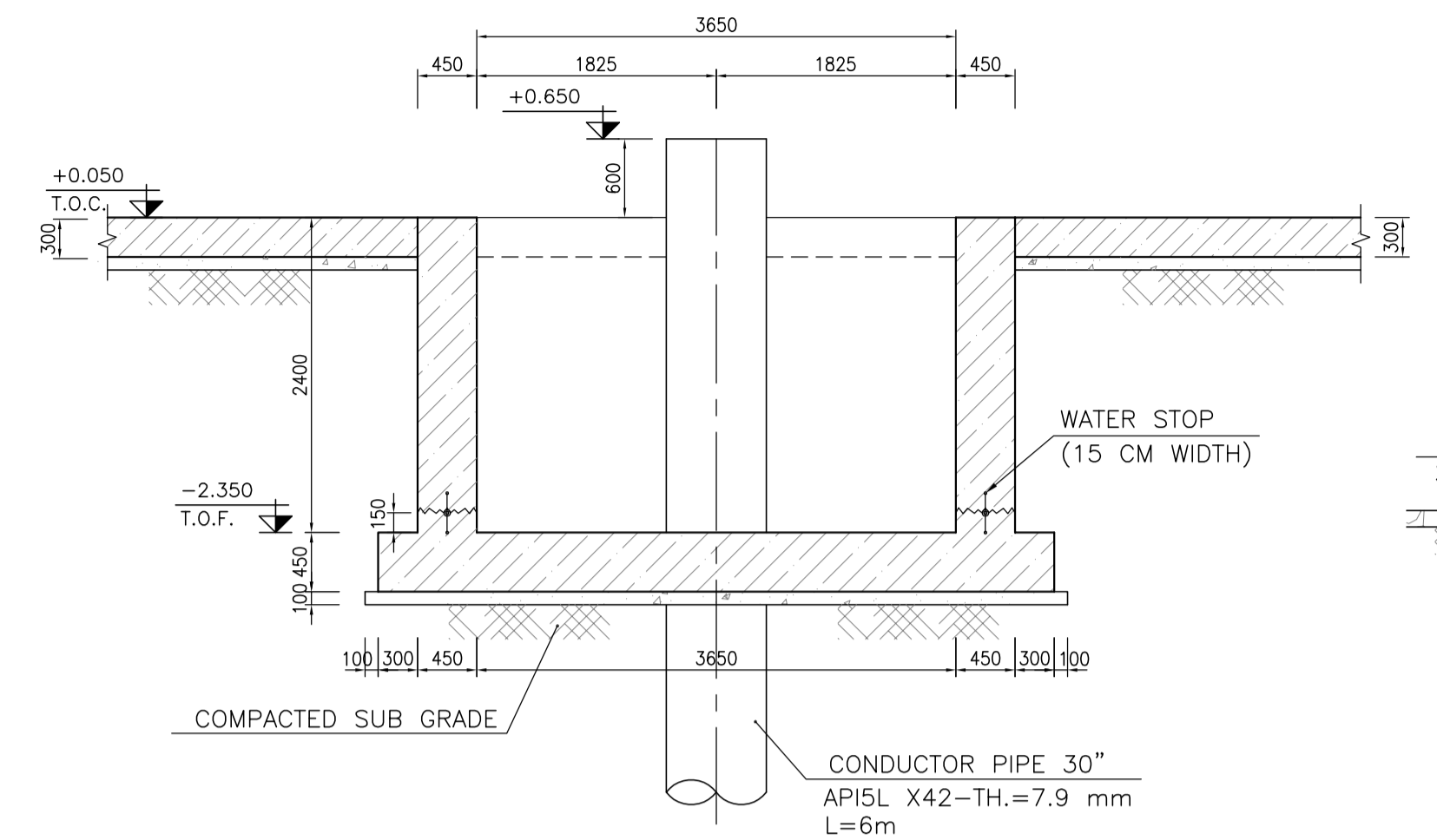
APPROVED FOR CONSTRUCTION	BY:	DATE:

E=437147.290
N=3293067.100

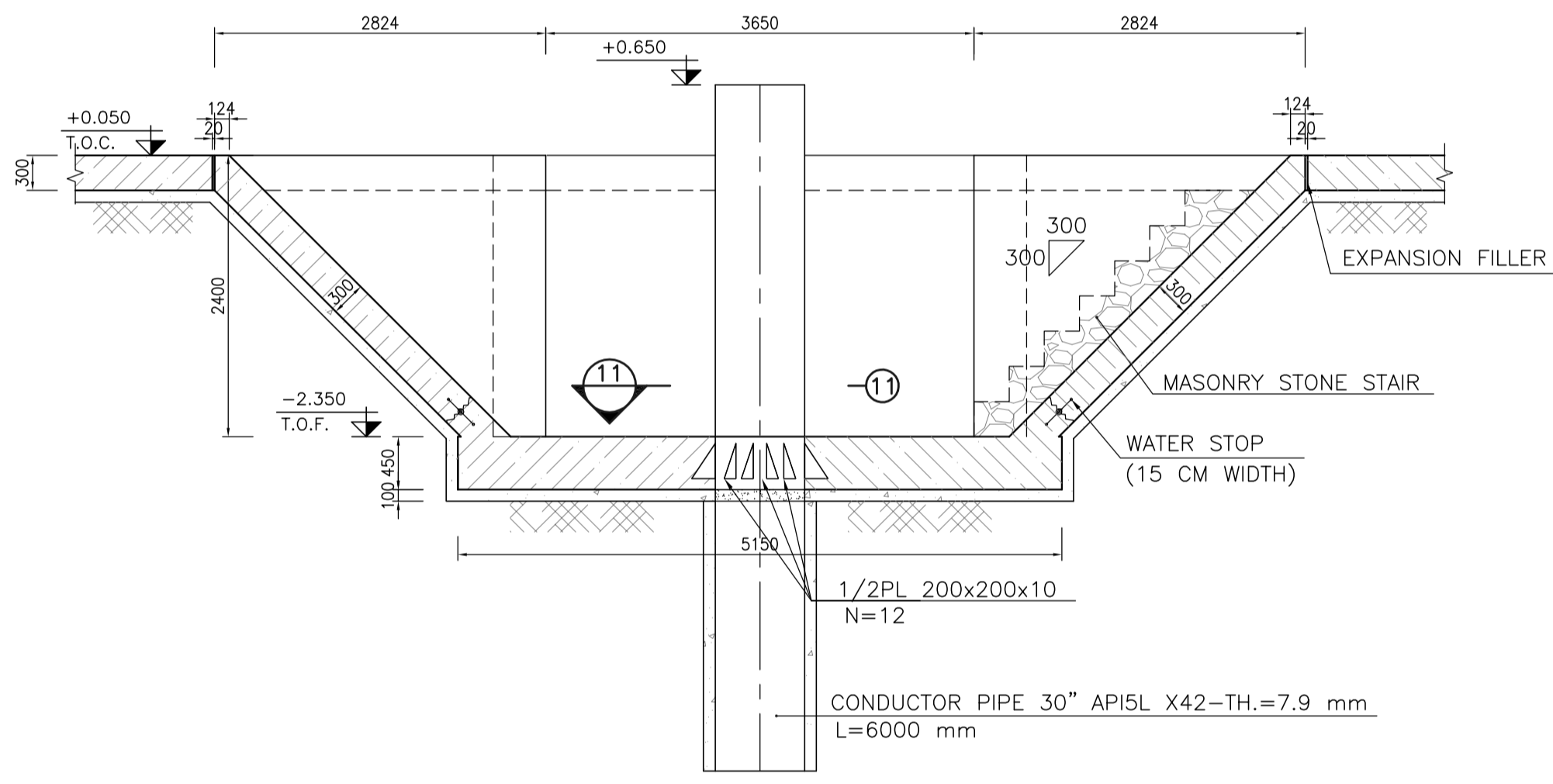
TOTALLY REVISED



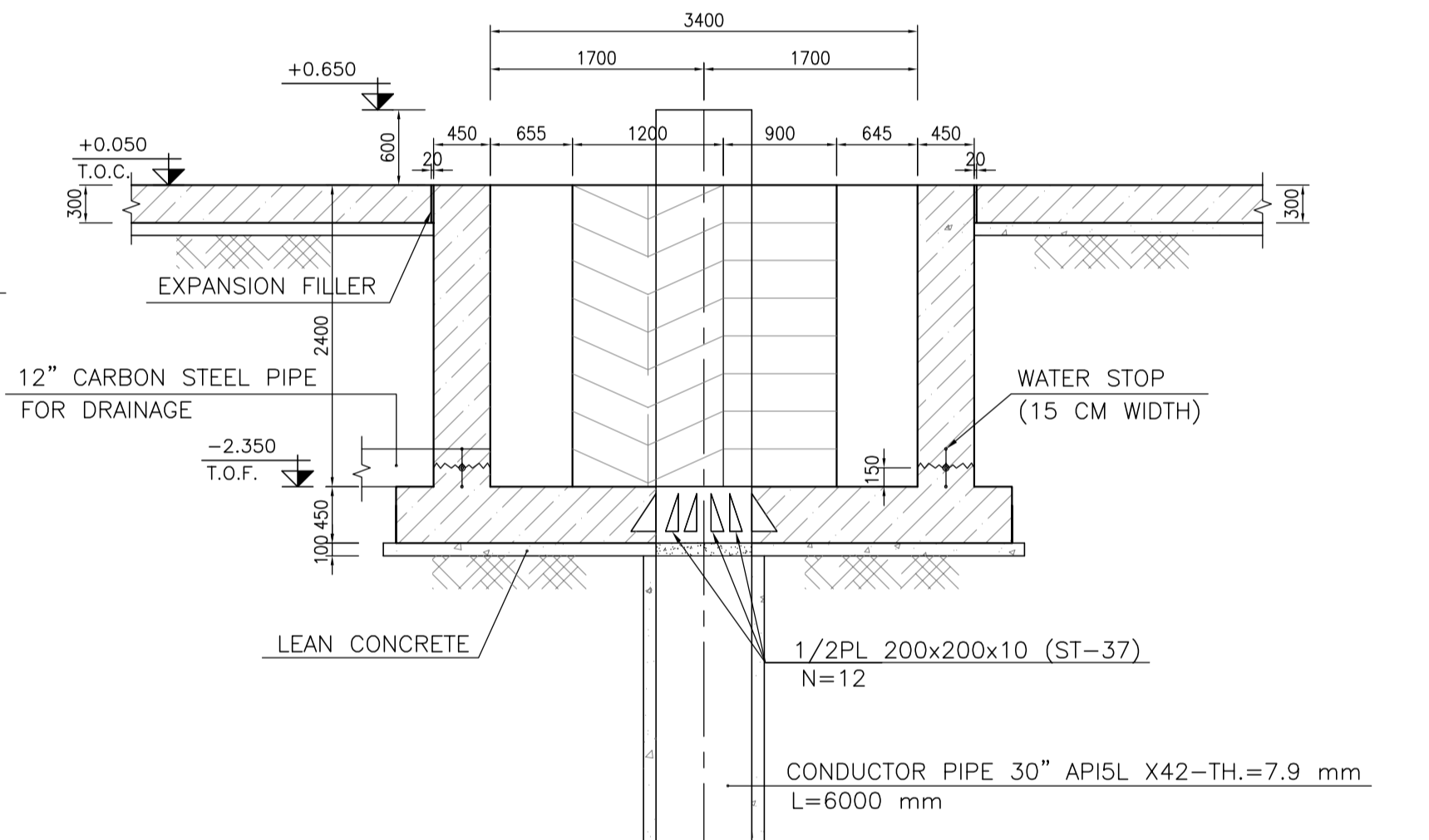
1/41 CELLAR PIT FORMWORK PLAN
1:50



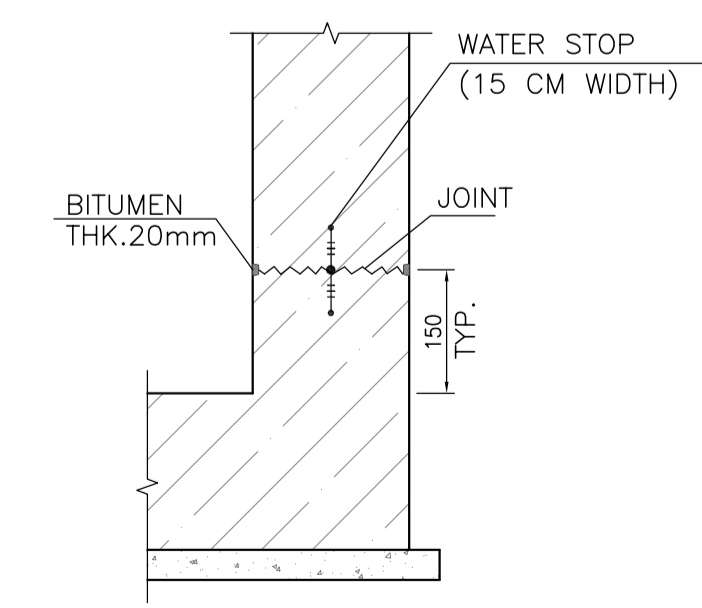
2 FORMWORK
1:50



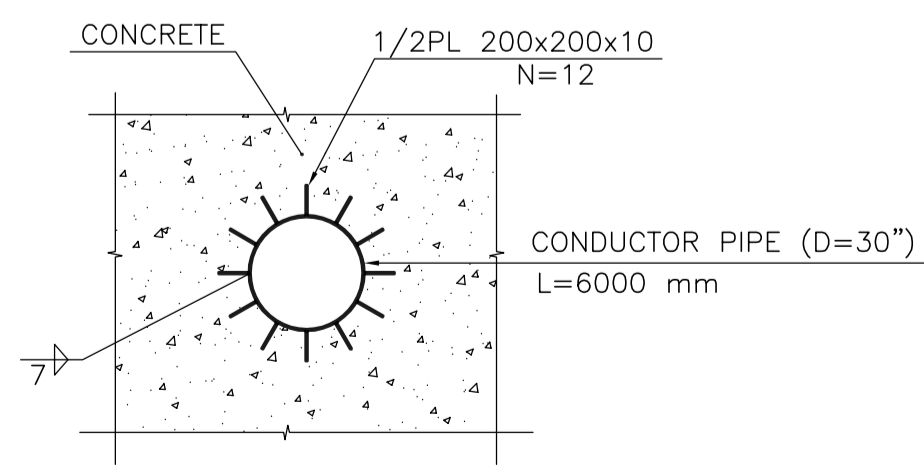
3 FORMWORK
1:50



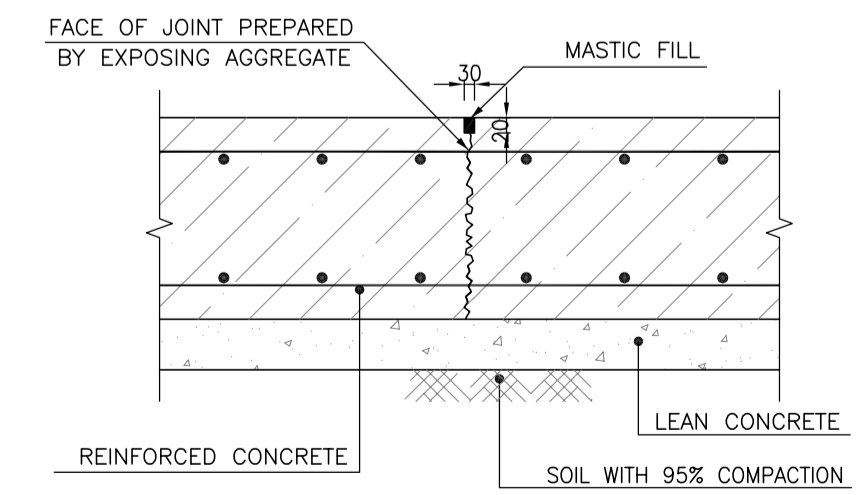
4 FORMWORK
1:50



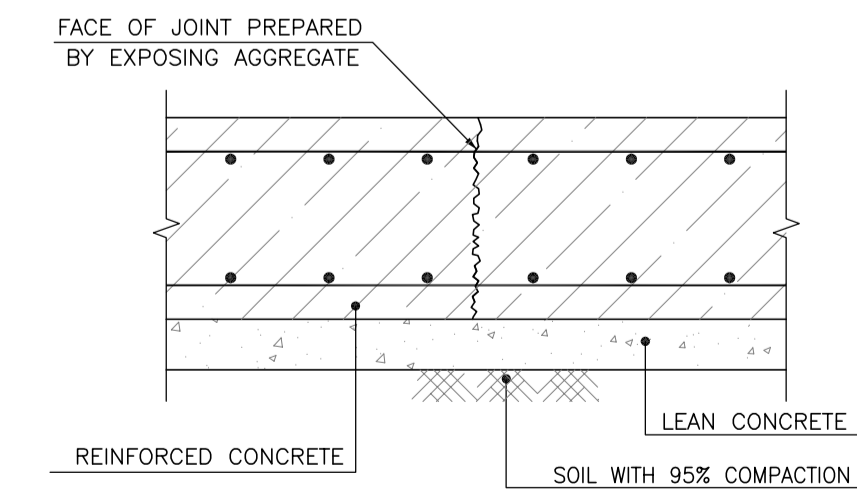
10 TYPICAL DETAIL OF WATER STOP
N.T.S.



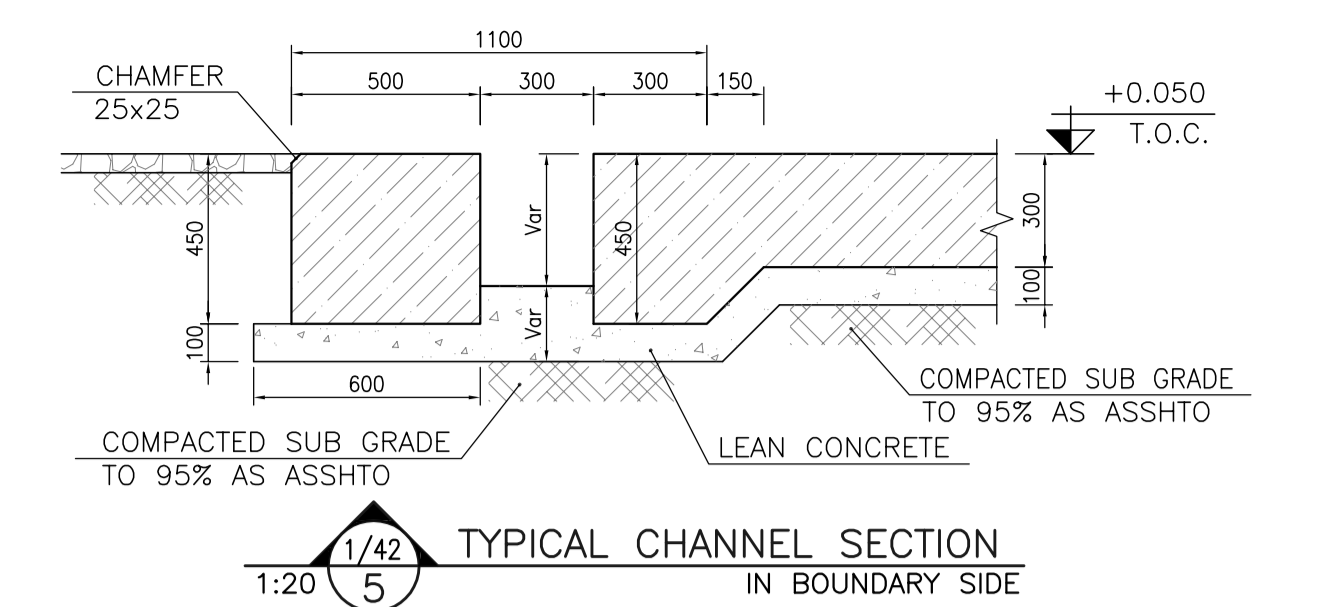
11
1:50



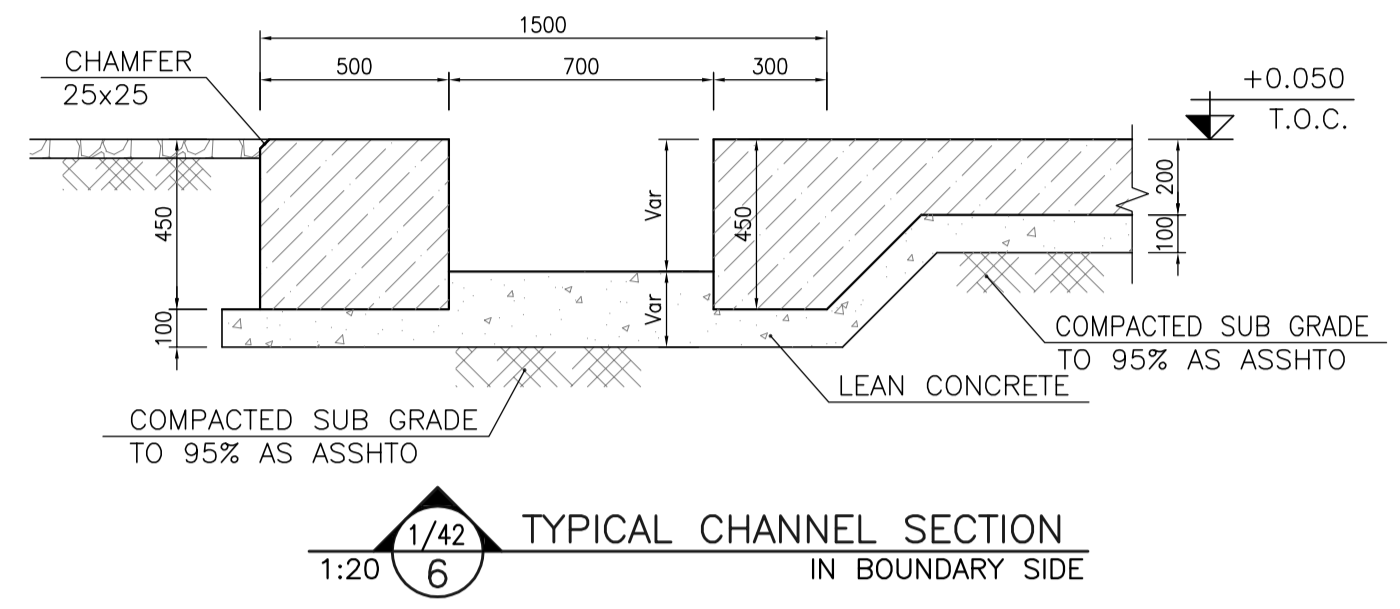
12 TYPICAL CONTRACTION JOINT EVERY 6000
N.T.S.



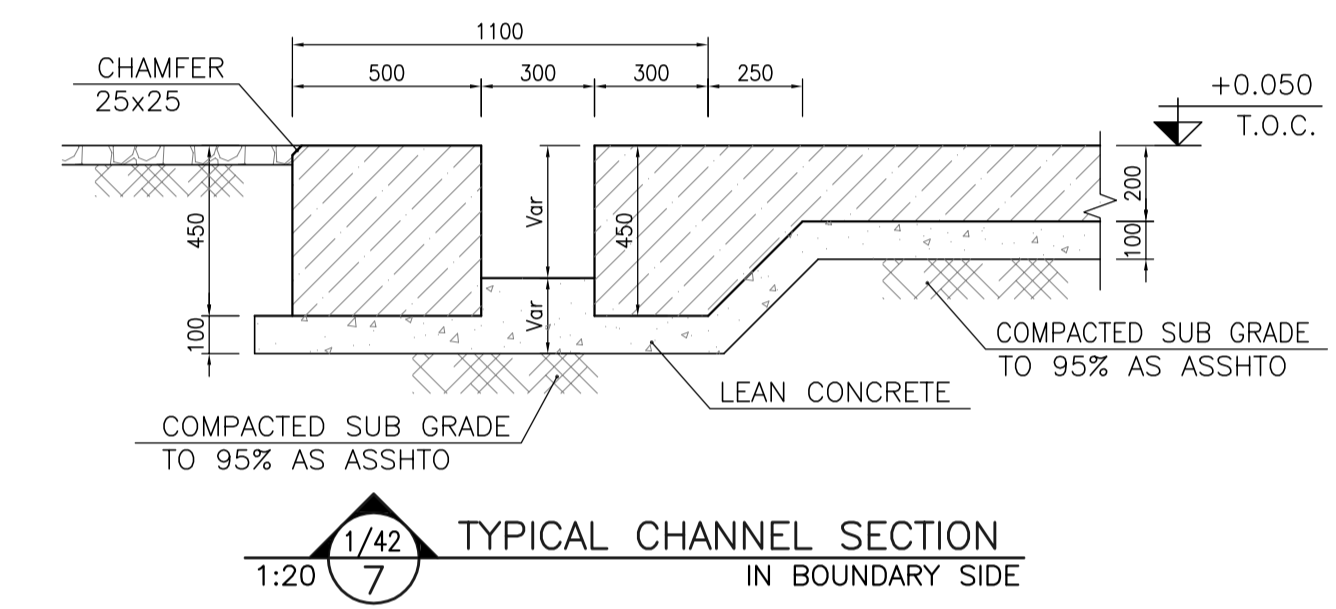
13 TYPICAL CONSTRUCTION JOINT
N.T.S.



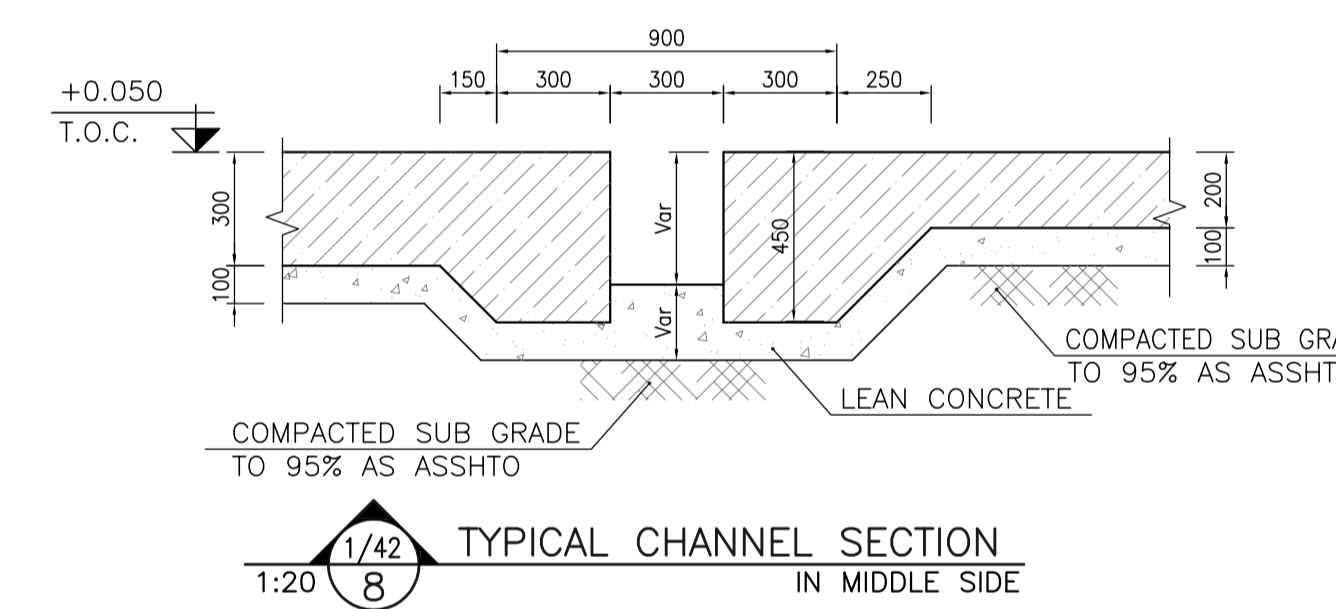
5 TYPICAL CHANNEL SECTION IN BOUNDARY SIDE
1:20



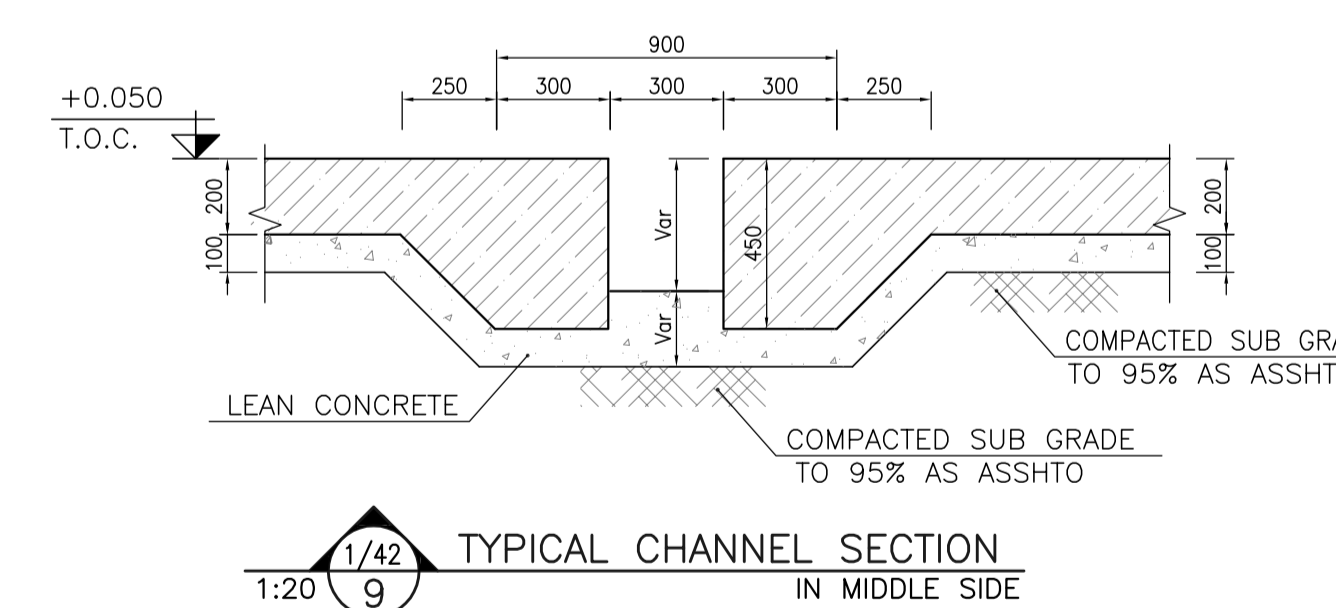
6 TYPICAL CHANNEL SECTION IN BOUNDARY SIDE
1:20



7 TYPICAL CHANNEL SECTION IN BOUNDARY SIDE
1:20



8 TYPICAL CHANNEL SECTION IN MIDDLE SIDE
1:20



9 TYPICAL CHANNEL SECTION IN MIDDLE SIDE
1:20

- NOTES**
- ALL COORDINATES ARE IN METER.
 - ALL DIMENSIONS ARE IN MILLIMETERS AND ELEVATIONS ARE IN METER.
 - ALL DRAWINGS SHALL BE CHECKED BY CONTRACTOR WITH RELATIVE DRAWINGS BEFORE CONSTRUCTION.
 - ACCORDING TO THE SPECIFICATION OF CONCRETE WORKS: "BK-GNRL-PEDCO-000-ST-SP-0001", 28 DAYS CHARACTERISTIC COMPRESSIVE STRENGTH OF MAIN CONCRETE IS 25 MPa (ON CYLINDRICAL SPECIMEN)
 - ACCORDING TO THE SPECIFICATION OF CONCRETE WORKS: "BK-GNRL-PEDCO-000-ST-SP-0001", 28 DAYS CHARACTERISTIC COMPRESSIVE STRENGTH OF LEAN CONCRETE IS 15 MPa (ON CYLINDRICAL SPECIMEN)
 - REINFORCING BARS SHALL BE S400 ACCORDING TO: ISIRI3132 AND INBC9 WITH MINIMUM TENSILE YIELD STRENGTH 400 N/mm²
 - MINIMUM FOUNDATION NET CONCRETE COVER SHALL BE 75 mm.
 - SPECIFICATIONS OF THERMO PLAST ACRYLIC COLOR, BASED ON No.3758 NATIONAL STANDARD CODE: DENSITY : 4.1-5.1 gr/cm³ THICKNESS : 300-400 MICRON GLOSS : DULL SOLID MATERIAL PERCENTAGE BY WEIGHT : 75%±2 SOLID MATERIAL PERCENTAGE BY VOLUME : 48%±2
 - JOINT SEALANT MATERIALS SHALL BE WETHER-RESISTANT POLYURETHANE OR SILICONE SCH AS "AEROLASTIC 1674" OR SIMILAR AND SHALL CONFORM TO BS-4254 FOR VERTICAL JOINTS IN WALLS.
 - CONTRACTION JOINTS SHALL BE CONSIDERED IN CONCRETE SLABS EVERY 6m.
 - COORDINATE PARAMETERS FOR COORDINATES ARE AS BELOW:
HORIZONTAL COORDINATE SYSTEM: WGS84/UTM ZONE 39
ELLIPSOID : WORLD GEOIDETIC SYSTEM 1984 (WGS84)
MAP PROJECTION: UNIVERSAL TRANSVERSE MERCATOR (UTM)
VERTICAL DATUM: MSL

±0.00 = +31.00(R.G.L.)MSL

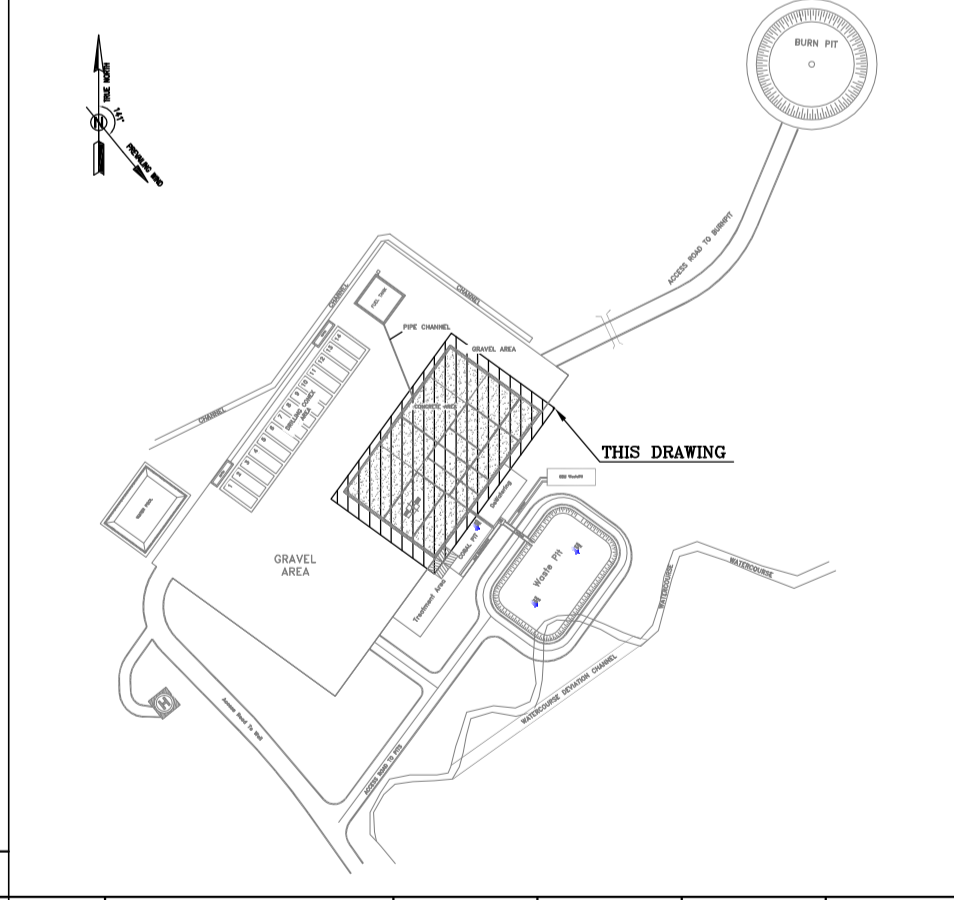
LEGEND AND ABBREVIATION

	REINFORCED CONCRETE	T.O.F.	TOP OF FOUNDATION
	LEAN CONCRETE	T.O.W.	TOP OF WALL
	CEMENT BLOCK WALL	T.O.C.	TOP OF CONCRETE
	GRAVEL	T.O.PIT	TOP OF PIT
	SUB GRADE	B.O.P.	BOTTOM OF PIPE
	SLOPE	R.G.L.	ROUGH GRADING LEVEL

REFERENCE DRAWING

REFERENCE DRAWING	DRG. No.
SPECIFICATION FOR FENCE & GATE	BK-GNRL-PEDCO-000-CV-SP-0003
GENERAL NOTES - STEEL STRUCTURES	BK-GNRL-PEDCO-000-ST-DW-0011
GENERAL NOTES - REINFORCED CONCRETE STRUCTURES	BK-GNRL-PEDCO-000-ST-DW-0012
GENERAL CIVIL LAYOUT - W028	BK-W028-PEDCO-110-CV-PY-0001
ROUGH GRADING PLANS - W028	BK-W028-PEDCO-110-CV-DW-0001
STANDARD DRAWING FOR CULVERT & DETAILS	BK-GNRL-PEDCO-000-CV-DW-0014
STANDARD DETAILS OF MISCELLANEOUS ITEMS	BK-GNRL-PEDCO-000-CV-DW-0040

KEY PLAN



REV.	DATE	P.O.I.S	PREP.	CHK.	APP.	AUT.
D05	JUL.2022	IFA	R. BERLOUHI	M.PAKHARIAN	M.MEHRSHAD	***
D04	JUN.2022	IFA	R. BERLOUHI	M.PAKHARIAN	M.MEHRSHAD	***
D03	MAY.2022	IFA	R. BERLOUHI	M.PAKHARIAN	M.MEHRSHAD	***
D02	MAR.2022	IFA	R. BERLOUHI	M.PAKHARIAN	M.MEHRSHAD	***
D01	NOV.2021	IFA	R. BERLOUHI	M.PAKHARIAN	M.MEHRSHAD	***
D00	OCT.2021	IPC	R. BERLOUHI	M.PAKHARIAN	SH.GHALIKAR	***

PROJECT NAME: BINAK OILFIELD DEVELOPMENT/SUB-SURFACE WORK PACKAGES W028 WELLHEAD FACILITIES

PROJECT NO.: 971020

EPC CONTRACTOR: HIRGAN ENERGY - DESIGN & INSPECTION COMPANIES

EPD/EPC CONTRACTOR(GC): PETROIRAN DEVELOPMENT COMPANY

DRAWING TITLE: CIVIL AND STRUCTURAL DRAWINGS-W028S WELLPAD AND RIG FOUNDATION DETAILS & SECTIONS

SCALE	SIZE	DRAWING NO.	SHEET NO.	REV.	BUDGET REF.	LOCATION	SIZE CLASS	SERIAL NO.	SHEET	REVISION
AS SHOWN	A1	BK-W028-PEDCO-110-CV-PY-0002	02 OF 42	D05	053-073-9184	F	4	S	707548	2 D05

اسم و کلیه نسخ این نقشه و حق اقتباس متعلق به شرکت ملی مناطق نفت خیز جنوب می باشد.

THE ORIGINAL AND ALL COPIES OF THIS DRAWING TOGETHER WITH THE COPYRIGHT THEREIN ARE THE SOLE PROPERTY OF N.I.S.O.C./ FIELDS

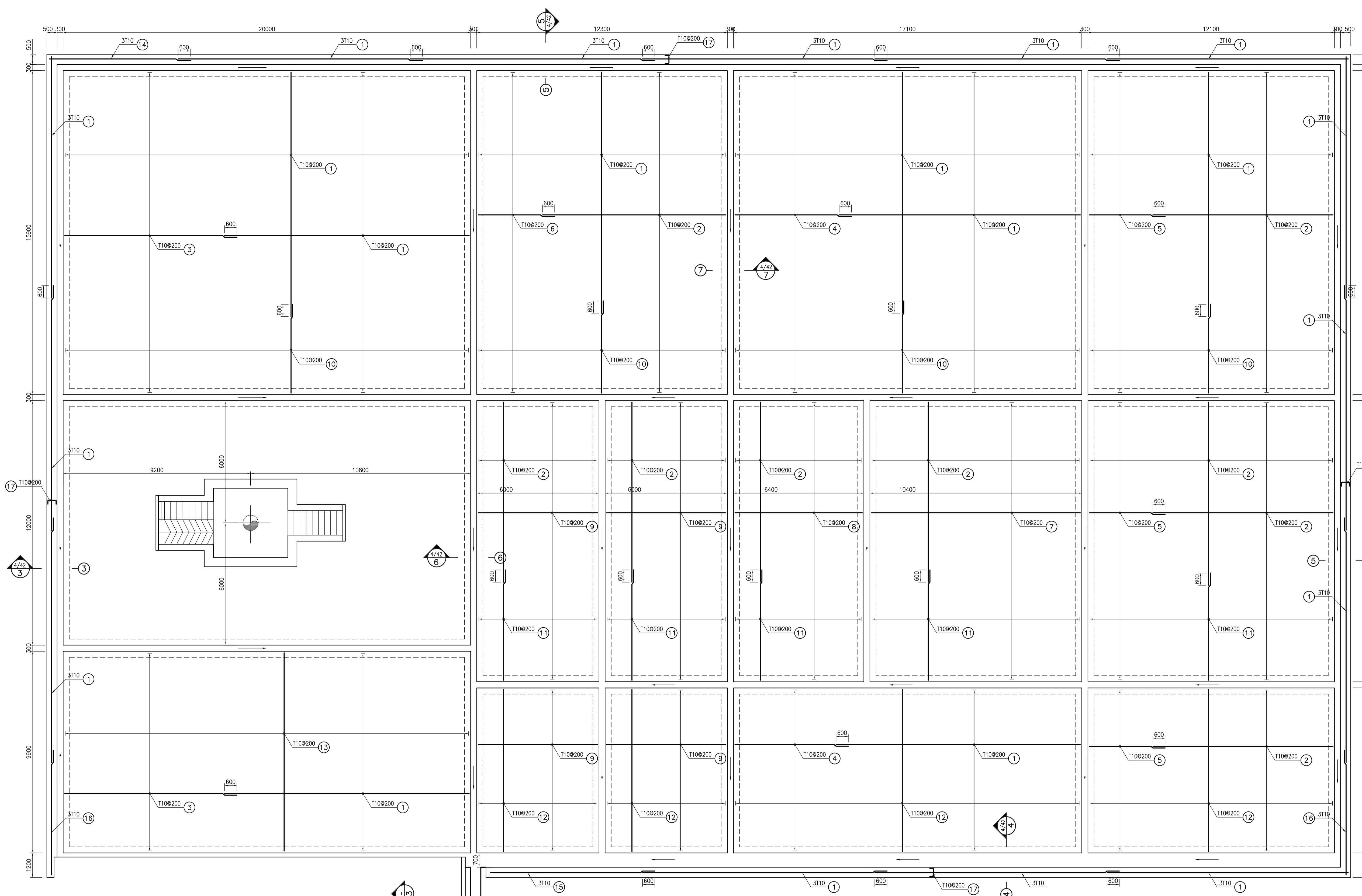
BINAK OILFIELD DEVELOPMENT SUB-SURFACE WORK PACKAGES W028 WELLHEAD FACILITIES

DATE	SCALE	DRAWING BY	CHECKED BY	PROJECT ENG.

NO CONSTRUCTION PERMITTED UNLESS DRAWING APPROVED

APPROVED FOR CONSTRUCTION	BY:	DATE:

TOTALLY REVISED



- NOTES**
- ALL COORDINATES ARE IN METER.
 - ALL DIMENSIONS ARE IN MILLIMETERS AND ELEVATIONS ARE IN METER.
 - ALL DRAWINGS SHALL BE CHECKED BY CONTRACTOR WITH RELATIVE DRAWINGS BEFORE CONSTRUCTION.
 - ACCORDING TO THE SPECIFICATION OF CONCRETE WORKS: "BK-GNRL-PEDCO-000-ST-SP-0001", 28 DAYS CHARACTERISTIC COMPRESSIVE STRENGTH OF MAIN CONCRETE IS 25 MPa (ON CYLINDRICAL SPECIMEN)
 - ACCORDING TO THE SPECIFICATION OF CONCRETE WORKS: "BK-GNRL-PEDCO-000-ST-SP-0001", 28 DAYS CHARACTERISTIC COMPRESSIVE STRENGTH OF LEAN CONCRETE IS 15 MPa (ON CYLINDRICAL SPECIMEN)
 - REINFORCING BARS SHALL BE S400 ACCORDING TO: ISIRI3132 AND INBC9 WITH MINIMUM TENSILE YIELD STRENGTH 400 N/mm²
 - MINIMUM FOUNDATION NET CONCRETE COVER SHALL BE 75 mm.
 - SPECIFICATIONS OF THERMO PLAST ACRYLIC COLOR, BASED ON No.3758 NATIONAL STANDARD CODE:
DENSITY : 4.1-5.1 gr/cm³
THICKNESS : 300-400 MICRON
GLOSS : DULL
SOLID MATERIAL PERCENTAGE BY WEIGHT : 75%±2
SOLID MATERIAL PERCENTAGE BY VOLUME : 48%±2
 - JOINT SEALANT MATERIALS SHALL BE WETHER-RESISTANT POLYURETHANE OR SILICONE SCH AS "AEROLASTIC 1674" OR SIMILAR AND SHALL CONFORM TO BS-4254 FOR VERTICAL JOINTS IN WALLS.
 - CONTRACTION JOINTS SHALL BE CONSIDERED IN CONCRETE SLABS EVERY 6m.
 - GEODETIC PARAMETERS FOR COORDINATES ARE AS BELOW:
HORIZONTAL COORDINATE SYSTEM: WGS84/UTM ZONE 39
ELLIPSOID : WORLD GEODETIC SYSTEM 1984 (WGS84)
MAP PROJECTION: UNIVERSAL TRANSVERSE MERCATOR (UTM)
VERTICAL DATUM: MSL

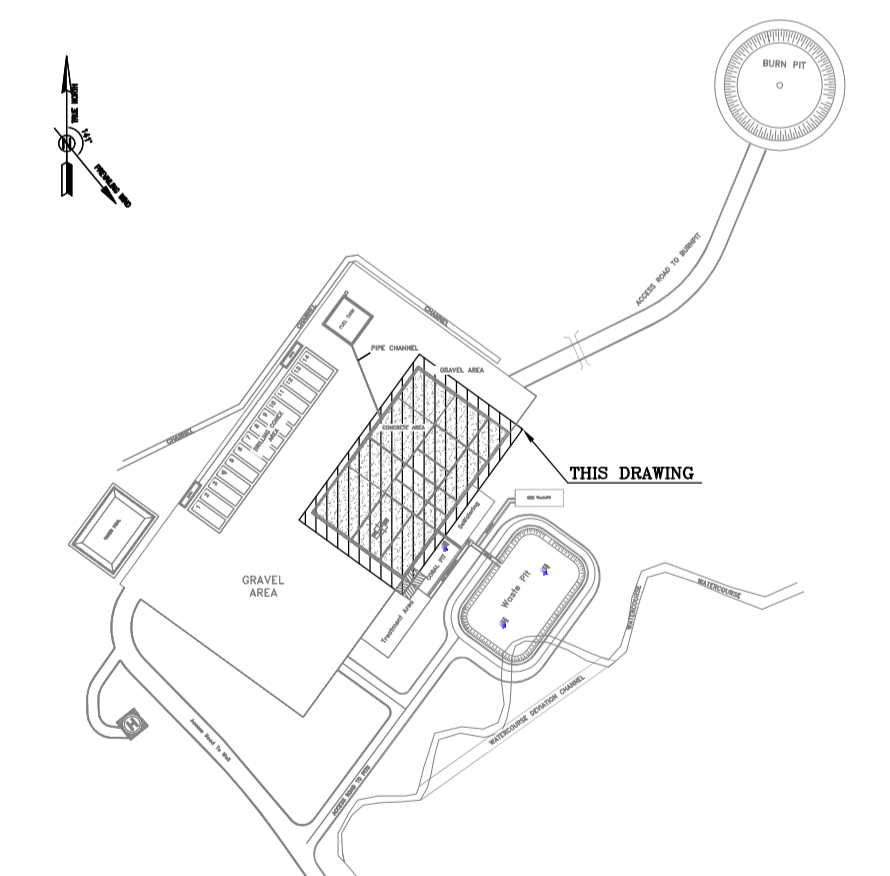
±0.00 = +31.00(R.G.L.)MSL

LEGEND AND ABBREVIATION

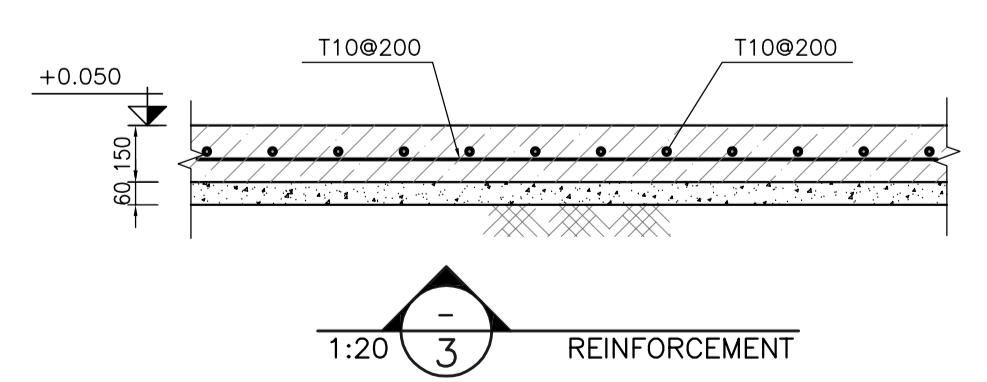
	REINFORCED CONCRETE	T.O.F.	TOP OF FOUNDATION
	LEAN CONCRETE	T.O.W.	TOP OF WALL
	CEMENT BLOCK WALL	T.O.C.	TOP OF CONCRETE
	GRAVEL	T.O.PIT	TOP OF PIT
	SUB GRADE	B.O.P.	BOTTOM OF PIPE
	SLOPE	R.G.L.	ROUGH GRADING LEVEL

REFERENCE DRAWING	DRG. No.
SPECIFICATION FOR FENCE & GATE	BK-GNRL-PEDCO-000-CV-SP-0003
GENERAL NOTES - STEEL STRUCTURES	BK-GNRL-PEDCO-000-ST-DW-0011
GENERAL NOTES - REINFORCED CONCRETE STRUCTURES	BK-GNRL-PEDCO-000-ST-DW-0012
GENERAL CIVIL LAYOUT - W028	BK-W028-PEDCO-110-CV-PY-0001
ROUGH GRADING PLANS - W028	BK-W028-PEDCO-110-CV-DW-0001
STANDARD DRAWING FOR CULVERT & DETAILS	BK-GNRL-PEDCO-000-CV-DW-0014
STANDARD DETAILS OF MISCELLANEOUS ITEMS	BK-GNRL-PEDCO-000-CV-DW-0040

KEY PLAN

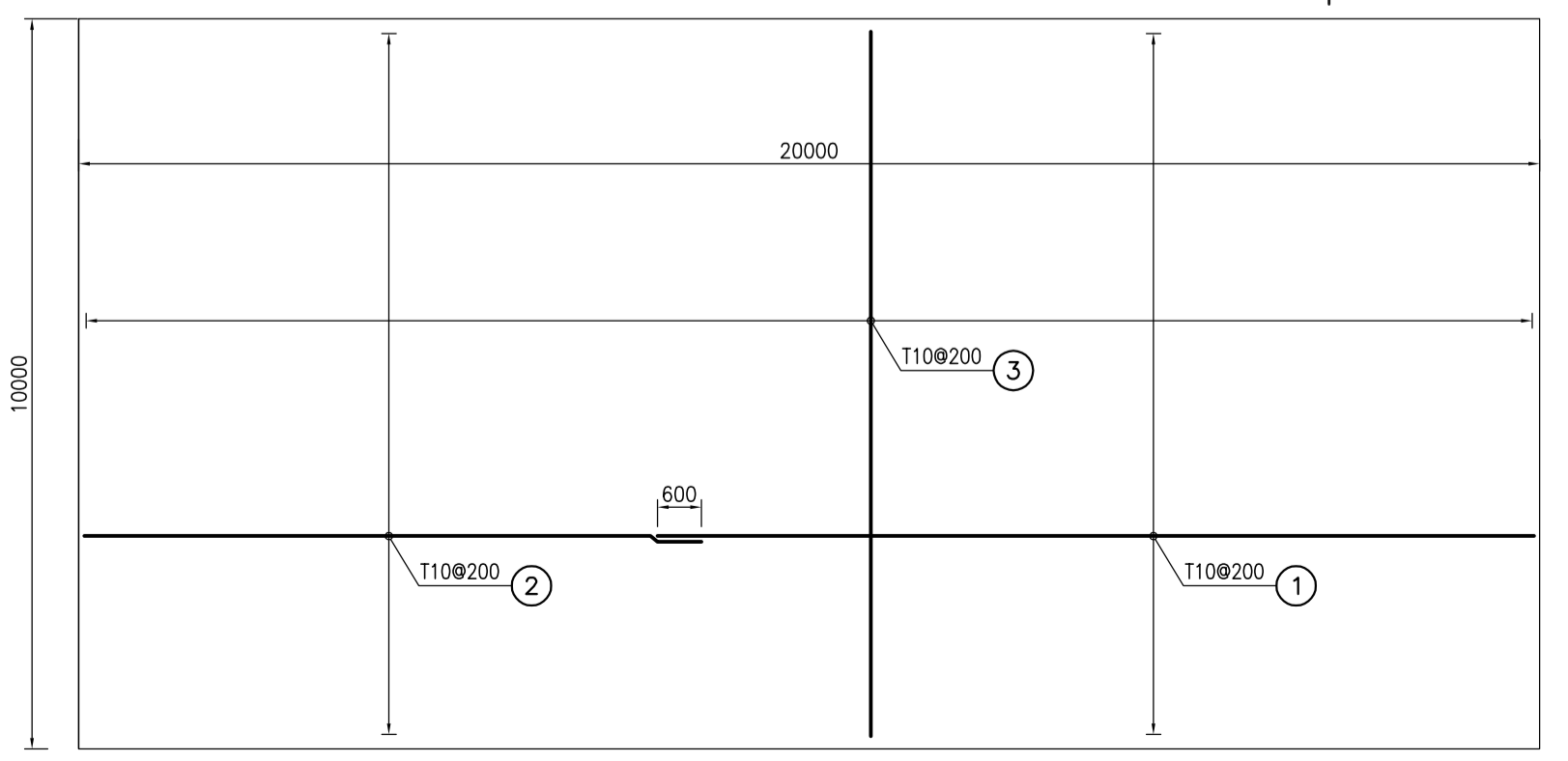


1:100 WELLPAD FOUNDATION REINFORCEMENT



Pos	Spec.	Shape	L/A	No.	T10
1	T10	12000	12.00	49	588.0
2	T10	8450	8.45	49	414.1
3	T10	9650	9.65	100	965
TOTAL LENGTH OR AREA (m/m ²)					1967.1
UNIT WEIGTH (Kg)					0.617
WEIGHT (Kg)					1213.70
GRAND TOTAL (Kg)					1214

1:100 DEWATERING FORMWORK PLAN REINFORCEMENT



REV.	DATE	DESCRIPTION	BY	DATE	BY	DATE
D05	JUL.2022	IFA	R. BERLOUFI	M.FAKHARIAN	M.MEHRSHAD	***
D04	JUN.2022	IFA	R. BERLOUFI	M.FAKHARIAN	M.MEHRSHAD	**
D03	MAY.2022	IFA	R. BERLOUFI	M.FAKHARIAN	M.MEHRSHAD	**
D02	MAR.2022	IFA	R. BERLOUFI	M.FAKHARIAN	M.MEHRSHAD	**
D01	NOV.2021	IFA	R. BERLOUFI	M.FAKHARIAN	M.MEHRSHAD	**
D00	OCT.2021	IPC	R. BERLOUFI	M.FAKHARIAN	SH.GHALIKAR	**

PROJECT NAME: BINAK OILFIELD DEVELOPMENT/SUB-SURFACE WORK PACKAGES W028 WELLHEAD FACILITIES

PROJECT NO.: 971020

EPC CONTRACTOR: HIRGAN ENERGY - DESIGN & INSPECTION COMPANIES

EPD/EPC CONTRACTOR(GC): PETROIRAN DEVELOPMENT COMPANY

DRAWING TITLE: CIVIL AND STRUCTURAL DRAWINGS-W028S WELLPAD FOUNDATION REINFORCEMENT PLAN

SCALE	SIZE	DRAWING NO.	SHEET NO.	REV.	BUDGET REF.	LOCATION	SIZE	CLASS	SERIAL NO.	SHEET	REVISION
AS SHOWN	A1	BK-W028-PEDCO-110-CV-PY-0002	03 OF 42	D05	053-073-9184	F	4	S	707548	3	D05

اسم و کلیه نسخ این نقشه و حق اقتباس متعلق به شرکت ملی مناطق نفت خیز جنوب می باشد.

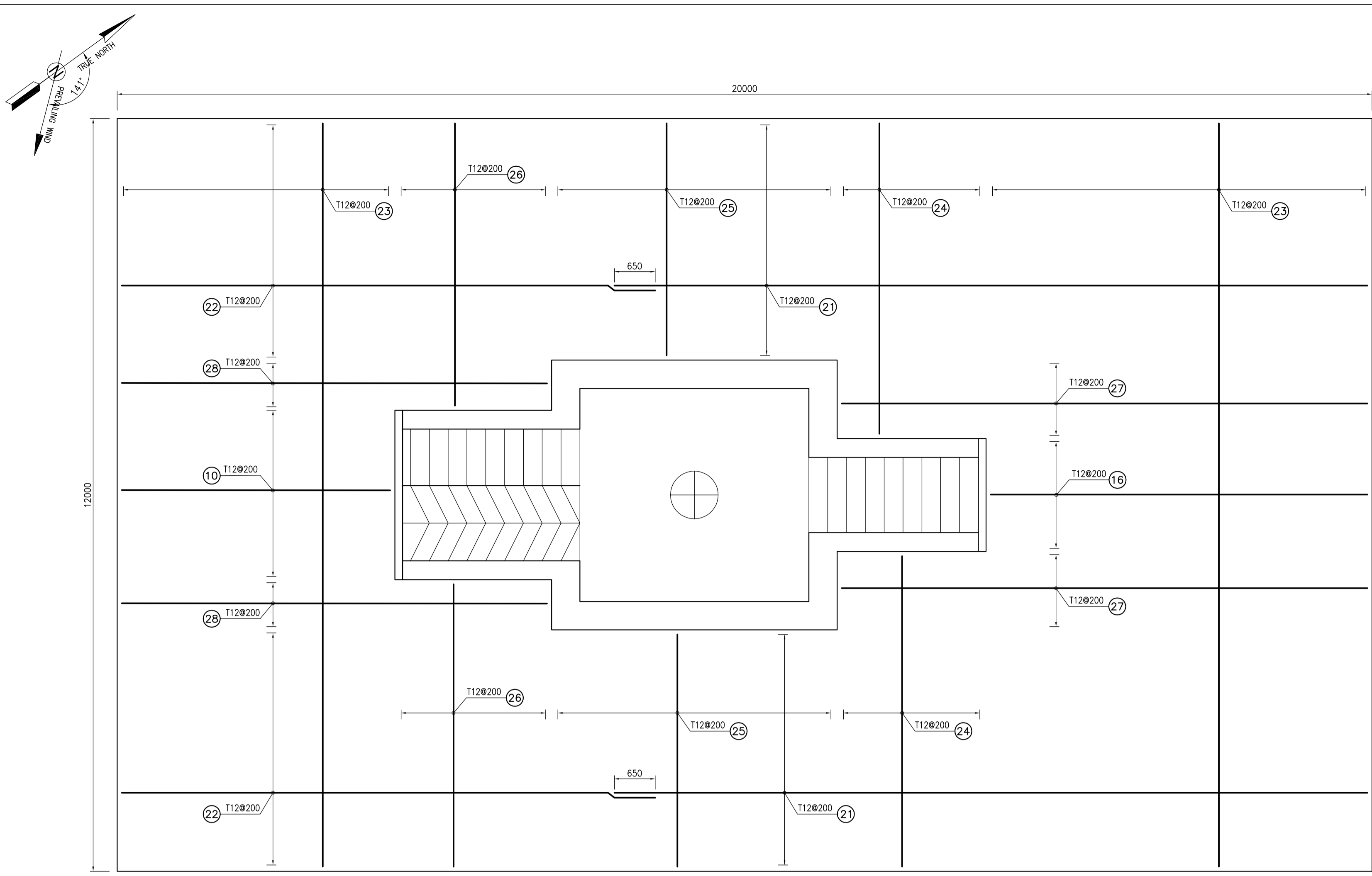
THE ORIGINAL AND ALL COPIES OF THIS DRAWING TOGETHER WITH THE COPYRIGHT THEREIN ARE THE SOLE PROPERTY OF N.I.S.O.C./ FIELDS

BINAK OILFIELD DEVELOPMENT SUB-SURFACE WORK PACKAGES W028 WELLHEAD FACILITIES

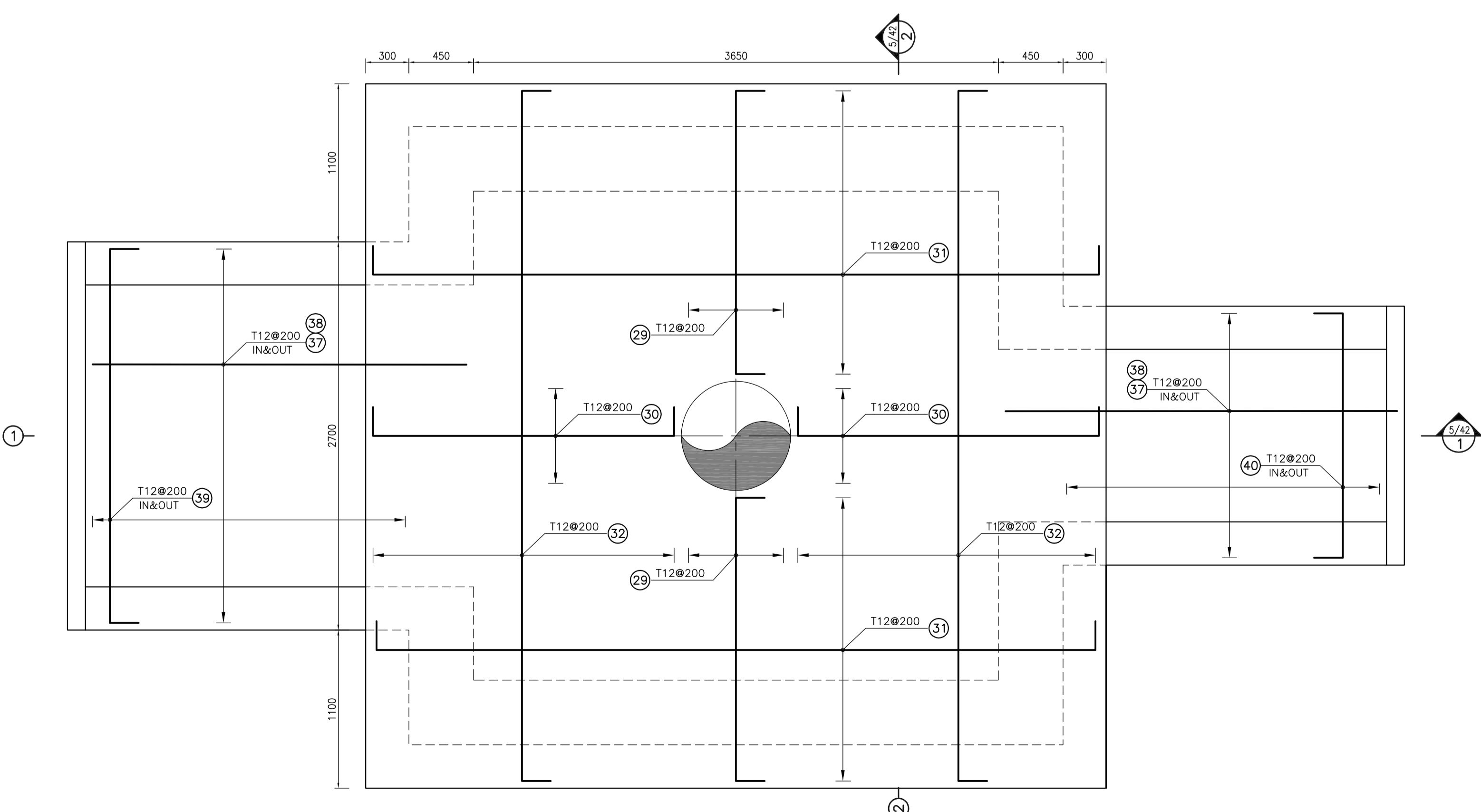
DATE	SCALE	DRAWING BY	CHECKED BY	PROJECT ENG.

NO CONSTRUCTION PERMITTED UNLESS DRAWING APPROVED

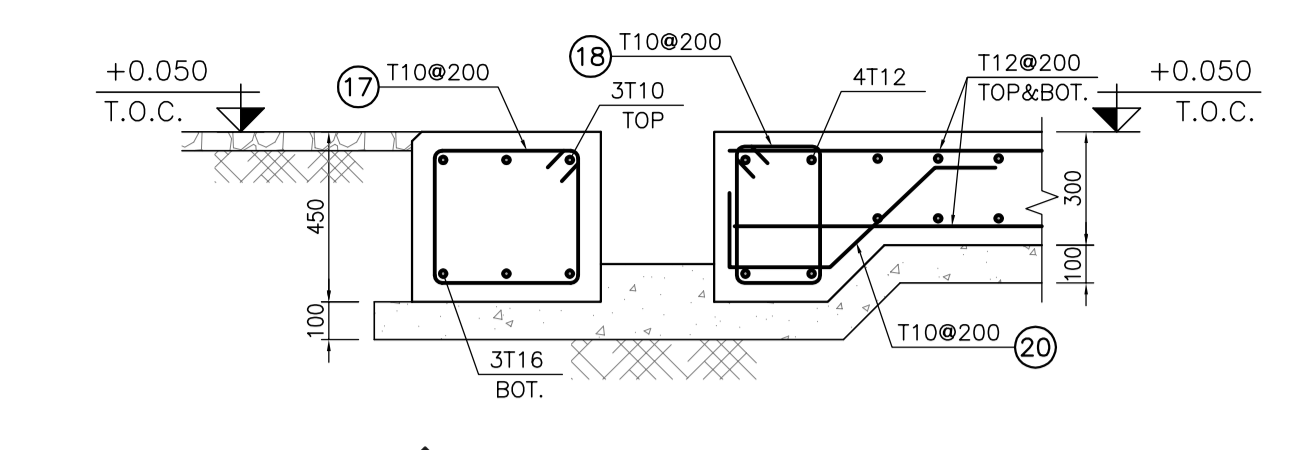
APPROVED FOR CONSTRUCTION	BY:	DATE:



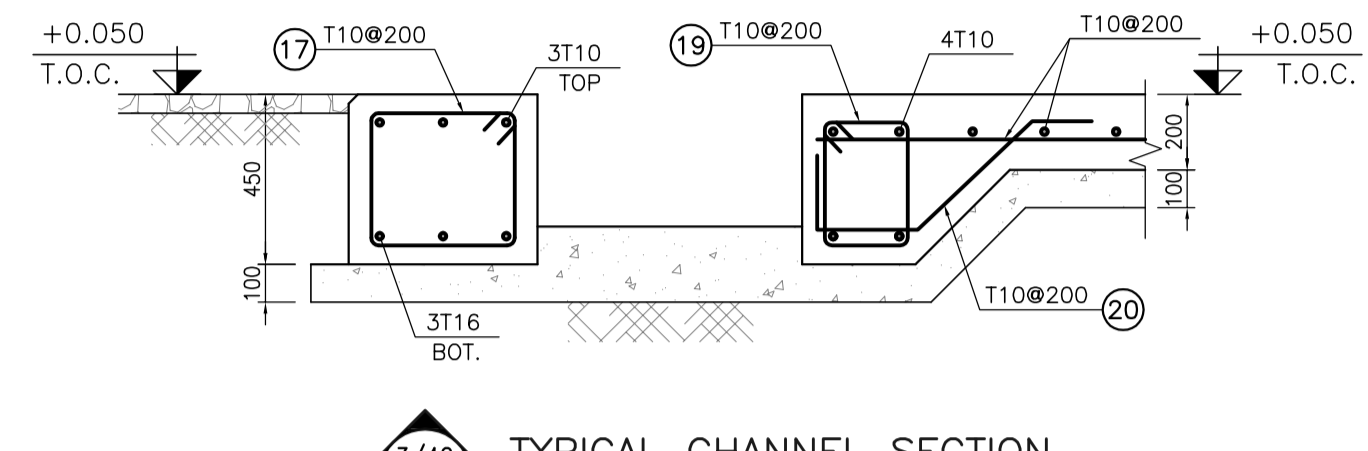
1:50 (1) RIG FOUNDATION REINFORCEMENT PLAN TOP & BOTTOM



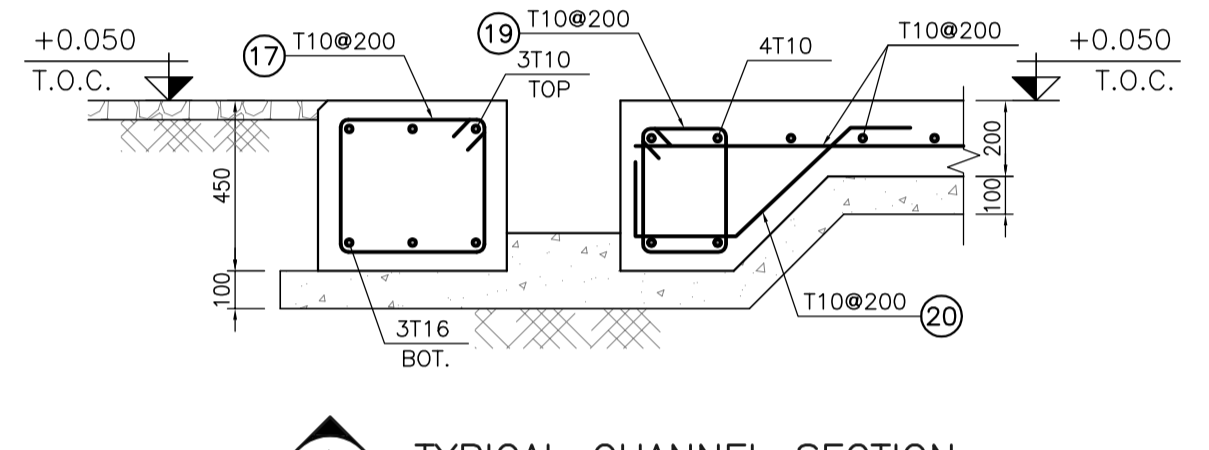
1:25 (2) CELLAR PIT FOUNDATION REINFORCEMENT PLAN TOP & BOTTOM



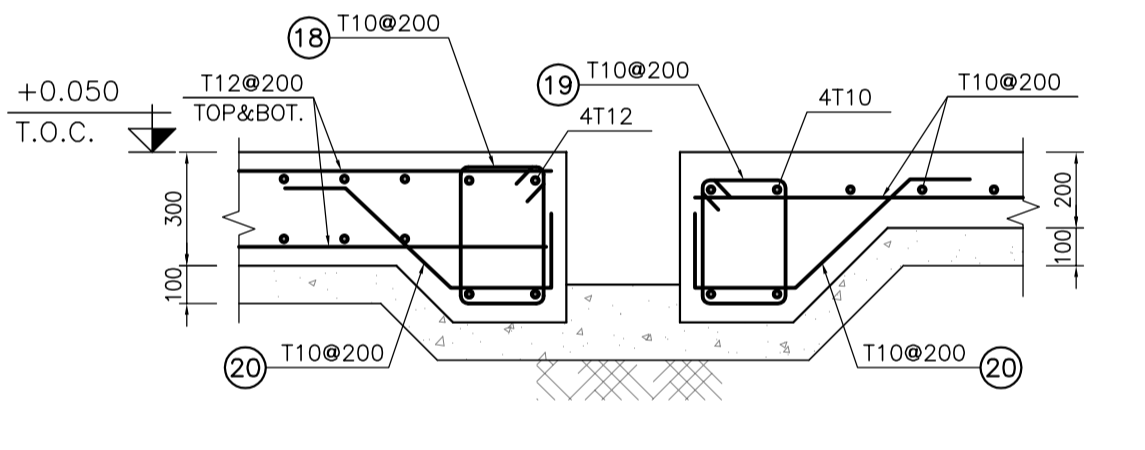
3/42 (3) TYPICAL CHANNEL SECTION IN BOUNDARY SIDE 1:20



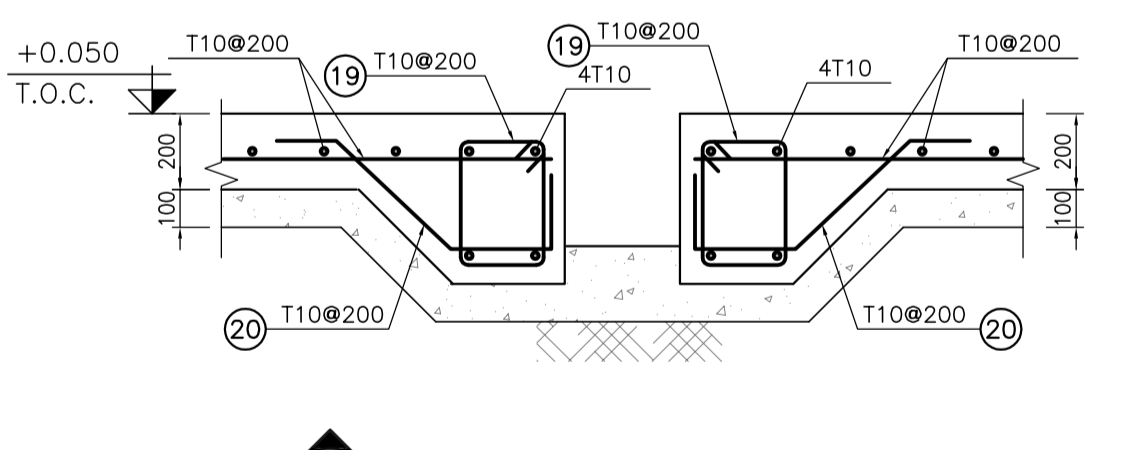
3/42 (4) TYPICAL CHANNEL SECTION IN BOUNDARY SIDE 1:20



3/42 (5) TYPICAL CHANNEL SECTION IN BOUNDARY SIDE 1:20



3/42 (6) TYPICAL CHANNEL SECTION IN MIDDLE SIDE 1:20



3/42 (7) TYPICAL CHANNEL SECTION IN MIDDLE SIDE 1:20

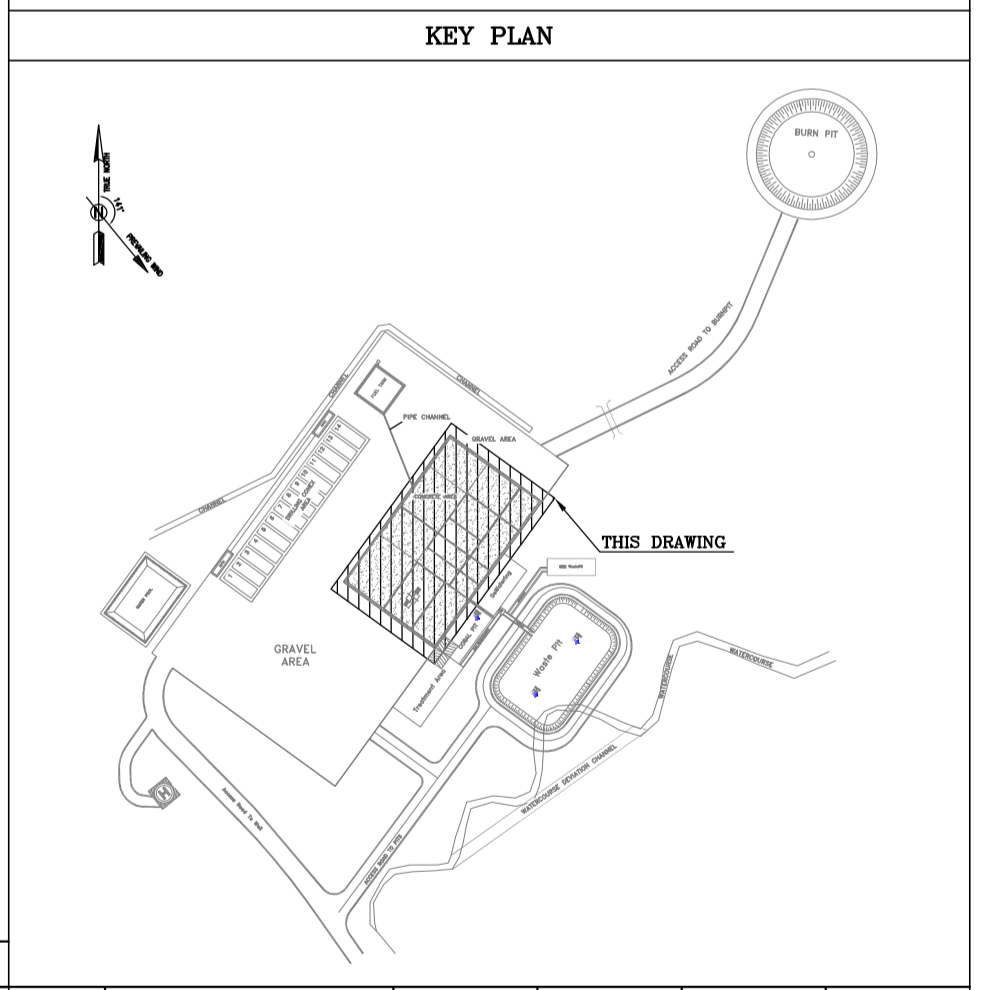
- NOTES**
- ALL COORDINATES ARE IN METER.
 - ALL DIMENSIONS ARE IN MILLIMETERS AND ELEVATIONS ARE IN METER.
 - ALL DRAWINGS SHALL BE CHECKED BY CONTRACTOR WITH RELATIVE DRAWINGS BEFORE CONSTRUCTION.
 - ACCORDING TO THE SPECIFICATION OF CONCRETE WORKS: "BK-GNRL-PEDCO-000-ST-SP-0001", 28 DAYS CHARACTERISTIC COMPRESSIVE STRENGTH OF MAIN CONCRETE IS 25 MPa (ON CYLINDRICAL SPECIMEN)
 - ACCORDING TO THE SPECIFICATION OF CONCRETE WORKS: "BK-GNRL-PEDCO-000-ST-SP-0001", 28 DAYS CHARACTERISTIC COMPRESSIVE STRENGTH OF LEAN CONCRETE IS 15 MPa (ON CYLINDRICAL SPECIMEN)
 - REINFORCING BARS SHALL BE S400 ACCORDING TO: ISIRI3132 AND INBC9 WITH MINIMUM TENSILE YIELD STRENGTH 400 N/mm²
 - MINIMUM FOUNDATION NET CONCRETE COVER SHALL BE 75 mm.
 - SPECIFICATIONS OF THERMO PLAST ACRYLIC COLOR, BASED ON No.3758 NATIONAL STANDARD CODE: DENSITY : 4.1-5.1 gr/cm³ THICKNESS : 300-400 MICRON GLOSS : DULL SOLID MATERIAL PERCENTAGE BY WEIGHT : 75%±2 SOLID MATERIAL PERCENTAGE BY VOLUME : 48%±2
 - JOINT SEALANT MATERIALS SHALL BE WETHER-RESISTANT POLYURETHANE OR SILICONE SCH AS "AEROLASTIC 1674" OR SIMILAR AND SHALL CONFORM TO BS-4254 FOR VERTICAL JOINTS IN WALLS.
 - CONTRACTION JOINTS SHALL BE CONSIDERED IN CONCRETE SLABS EVERY 6m.
 - GEODETIC PARAMETERS FOR COORDINATES ARE AS BELOW:
HORIZONTAL COORDINATE SYSTEM: WGS84/UTM ZONE 39
ELLIPSOID : WORLD GEODETIC SYSTEM 1984 (WGS84)
MAP PROJECTION: UNIVERSAL TRANSVERSE MERCATOR (UTM)
VERTICAL DATUM: MSL

±0.00 = +31.00(R.G.L.)MSL

LEGEND AND ABBREVIATION

	REINFORCED CONCRETE	T.O.F.	TOP OF FOUNDATION
	LEAN CONCRETE	T.O.W.	TOP OF WALL
	CEMENT BLOCK WALL	T.O.C.	TOP OF CONCRETE
	GRAVEL	T.O.PIT	TOP OF PIT
	SUB GRADE	B.O.P.	BOTTOM OF PIPE
	SLOPE	R.G.L.	ROUGH GRADING LEVEL

REFERENCE DRAWING	DRG. No.
SPECIFICATION FOR FENCE & GATE	BK-GNRL-PEDCO-000-CV-SP-0003
GENERAL NOTES - STEEL STRUCTURES	BK-GNRL-PEDCO-000-ST-DW-0011
GENERAL NOTES - REINFORCED CONCRETE STRUCTURES	BK-GNRL-PEDCO-000-ST-DW-0012
GENERAL CIVIL LAYOUT - W028	BK-W028-PEDCO-110-CV-PY-0001
ROUGH GRADING PLANS - W028	BK-W028-PEDCO-110-CV-DW-0001
STANDARD DRAWING FOR CULVERT & DETAILS	BK-GNRL-PEDCO-000-CV-DW-0014
STANDARD DETAILS OF MISCELLANEOUS ITEMS	BK-GNRL-PEDCO-000-CV-DW-0040



REV.	DATE	P.O.I.S	PREP.	CHK.	APP.	AUT.
D05	JUL.2022	IFA	R. BERLOUFI	M.FAKHARIAN	M.MEHRSHAD	***
D04	JUN.2022	IFA	R. BERLOUFI	M.FAKHARIAN	M.MEHRSHAD	***
D03	MAY.2022	IFA	R. BERLOUFI	M.FAKHARIAN	M.MEHRSHAD	***
D02	MAR.2022	IFA	R. BERLOUFI	M.FAKHARIAN	M.MEHRSHAD	***
D01	NOV.2021	IFA	R. BERLOUFI	M.FAKHARIAN	M.MEHRSHAD	***
D00	OCT.2021	IPC	R. BERLOUFI	M.FAKHARIAN	SH.GHALIKAR	***

اسم و کلیه نسخ این نقشه و حق اقتباس متعلق به شرکت ملی مناطق نفت خیز جنوب میباشد.
THE ORIGINAL AND ALL COPIES OF THIS DRAWING TOGETHER WITH THE COPYRIGHT THEREIN ARE THE SOLE PROPERTY OF N.I.S.O.C./ FIELDS

PROJECT NAME: BINAK OILFIELD DEVELOPMENT/SUB-SURFACE WORK PACKAGES W028 WELLHEAD FACILITIES

PROJECT NO.: 971020

EPC CONTRACTOR: HIRGAN ENERGY - DESIGN & INSPECTION COMPANIES

EPD/EPC CONTRACTOR(GC): PETROIRAN DEVELOPMENT COMPANY

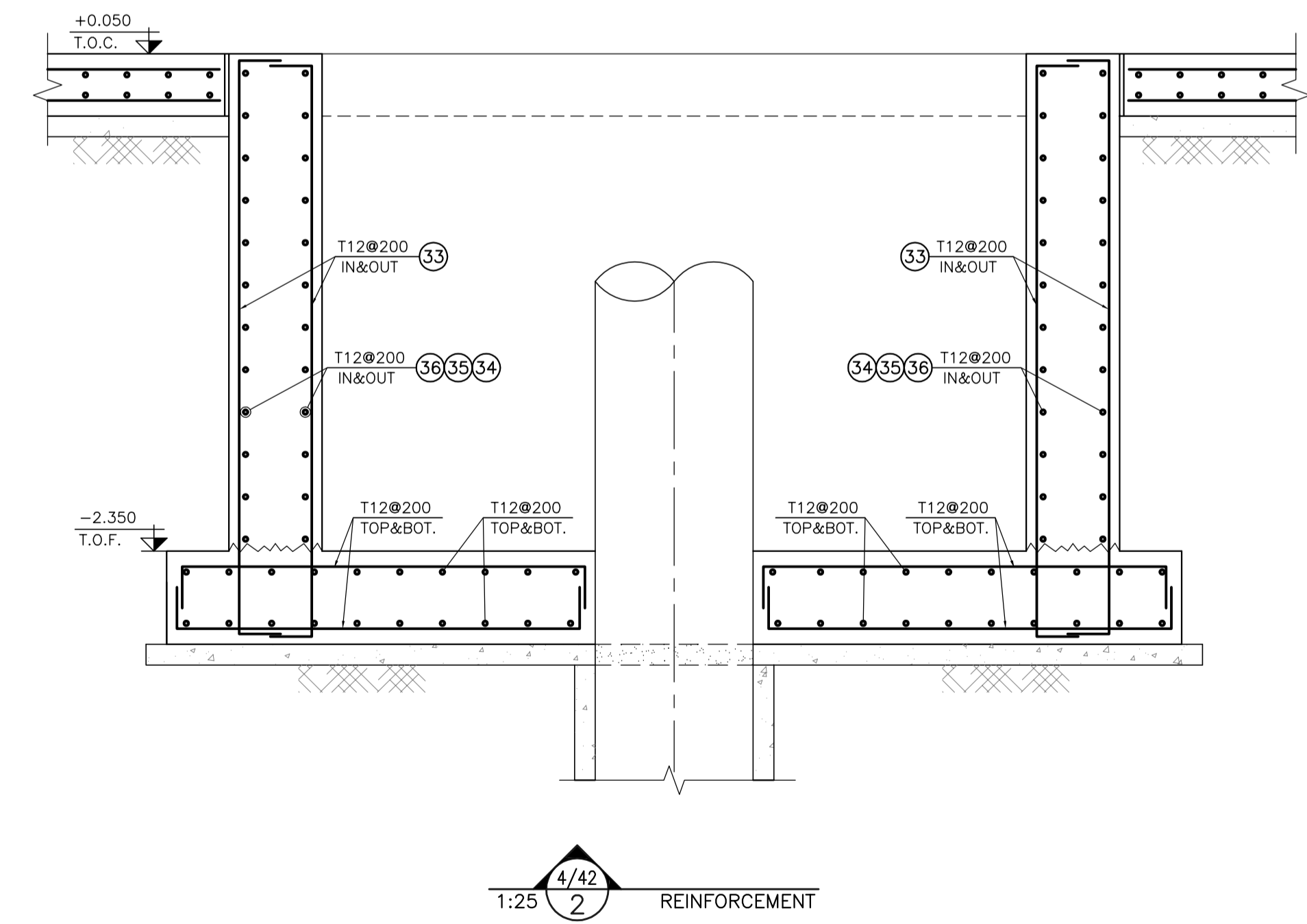
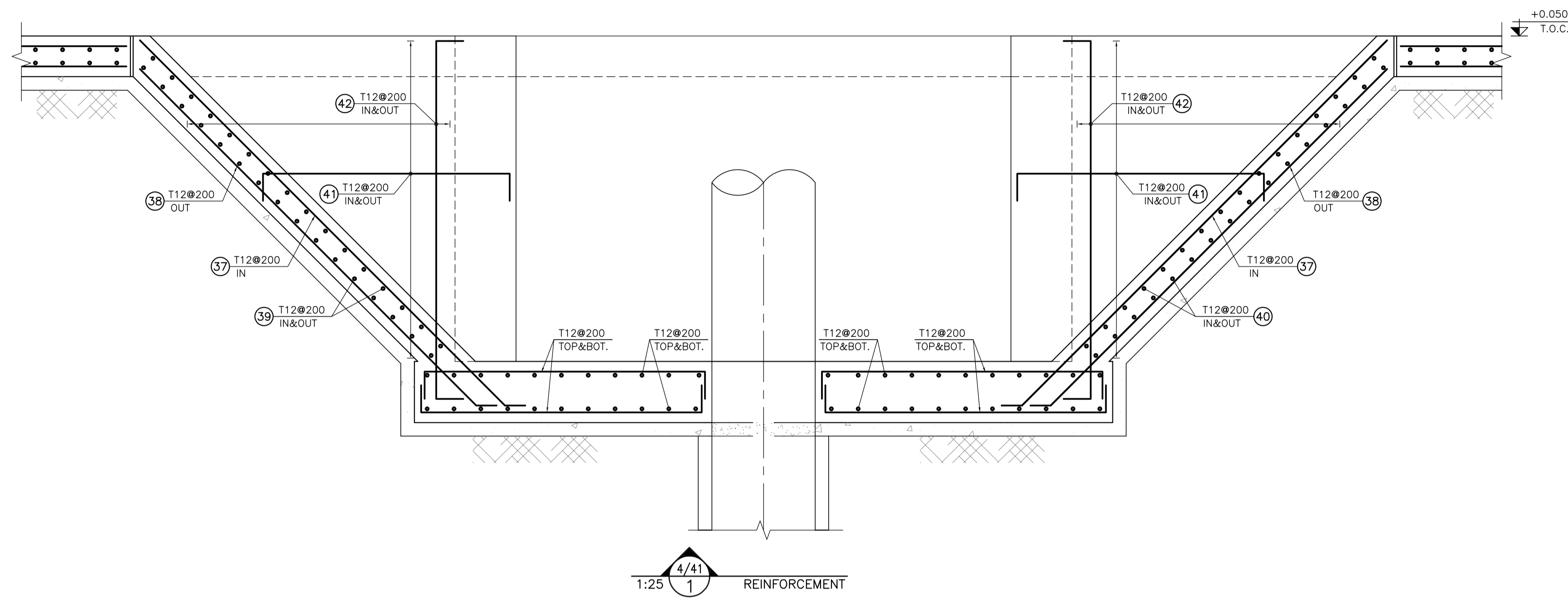
DATE	SCALE	DRAWING BY	CHECKED BY	PROJECT ENG.

DRAWING TITLE: CIVIL AND STRUCTURAL DRAWINGS-W028S RIG AND CELLAR FOUNDATION REINFORCEMENT-SECTIONS

NO CONSTRUCTION PERMITTED UNLESS DRAWING APPROVED

SCALE	SIZE	DRAWING NO.	SHEET NO.	REV.	BUDGET REF.	LOCATION	SIZE CLASS	SERIAL NO.	SHEET	REVISION
AS SHOWN	A1	BK-W028-PEDCO-110-CV-PY-0002	04 OF 42	D05	053-073-9184	F	4	S	707548	4 D05

BAR BENDING SCHEDULE - WELLPAD & CELLAR						
Pos	Spec.	Shape	L/A	No.	T10	T112
1	T10	12000	12.00	637	7644.00	
2	T10	9000	9.00	478	4302.00	
3	T10	8450	8.45	130	1098.50	
4	T10	5550	5.55	121	671.55	
5	T10	3550	3.55	191	670.05	
6	T10	3750	3.75	80	300.00	
7	T10	10250	10.25	70	717.50	
8	T10	6250	6.25	70	737.50	
9	T10	5850	5.85	222	1298.70	
10	T10	4350	4.35	336	1461.6	
11	T10	5250	5.25	206	1081.50	
12	T10	7950	7.95	206	1637.70	
13	T10	9750	9.75	100	975.00	
14	T10	6850	6.85	6	41.10	
15	T10	8100	8.10	6	48.60	
16	T10	6000	6.00	32	192.00	
17	T10	300 350 100	1.50	925	1387.50	
18	T10	300 150 100	1.10	320	352.00	
19	T10	250 150 100	1.00	1950	1950.00	
20	T10	150 200 400 150	0.90	3625	3262.50	
21	T12	12000	12.00	80		960.00
22	T12	8500	8.50	80		680.00
23	T12	11850	11.85	108		1279.80
24	T12	4950	4.95	48		237.60
25	T12	3700	3.70	48		177.60
26	T12	4500	4.50	48		216.00
27	T12	8400	8.40	24		201.60
28	T12	6800	6.80	16		108.80
29	T12	200 1900 200	2.30	16		36.80
30	T12	200 2000 200	2.40	16		38.40
31	T12	200 5000 200	5.40	40		216.00
32	T12	200 4750 200	5.15	44		226.60
33	T12	200 2700 200	3.10	84		260.40
34	T12	200 4400 200	4.80	48		230.40
35	T12	200 1400 200	1.80	48		86.40
36	T12	200 950 200	1.35	48		64.80
37	T12	200 3800	4.00	24		96.00
38	T12	200 3500	3.70	24		88.80
39	T12	200 2550 200	2.95	32		94.40
40	T12	200 1650 200	2.05	32		65.60
41	T12	200 700-2700 200	Var	48		100.80
42	T12	200 300-2300 200	Var	56		95.20
TOTAL LENGTH OR AREA (m/m ²)			29829.30	6251.20		
UNIT WEIGTH (Kg)			0.617	0.888		
WEIGTH (Kg)			18404.67	4939.06		
GRAND TOTAL (Kg)			23400			



BAR BENDING SCHEDULE - DEWATERING					
Pos	Spec.	Shape	L/A	No.	T10
1	T10	12000	12.00	50	600.0
2	T10	8450	8.45	50	422.5
3	T10	9850	9.85	100	985.0
TOTAL LENGTH OR AREA (m/m ²)					2007.50
UNIT WEIGTH (Kg)					0.617
WEIGTH (Kg)					1238.7
GRAND TOTAL (Kg)					1240

REV.	DATE	P.O.I.S	PREP.	CHK.	APP.	AUT.
D05	JUL.2022	IFA	R. BERLOUEI	M.FAKHARIAN	M.MEHRSHAD	***
D04	JUN.2022	IFA	R. BERLOUEI	M.FAKHARIAN	M.MEHRSHAD	**
D03	MAY.2022	IFA	R. BERLOUEI	M.FAKHARIAN	M.MEHRSHAD	**
D02	MAR.2022	IFA	R. BERLOUEI	M.FAKHARIAN	M.MEHRSHAD	**
D01	NOV.2021	IFA	R. BERLOUEI	M.FAKHARIAN	M.MEHRSHAD	**
D00	OCT.2021	IPC	R. BERLOUEI	M.FAKHARIAN	SH.GHALIKAR	**

PROJECT NAME: BINAK OILFIELD DEVELOPMENT/SUB-SURFACE WORK PACKAGES W028 WELLPAD FACILITIES						
PROJECT NO.: 971020						
EPC CONTRACTOR:			EPD/EPC CONTRACTOR(GC):			
 HIRGAN ENERGY - DESIGN & INSPECTION COMPANIES			 PETROIRAN DEVELOPMENT COMPANY			
DRAWING TITLE: CIVIL AND STRUCTURAL DRAWINGS-W028S RIG AND CELLAR SECTIONS - LISTOFER						
SCALE	SIZE	DRAWING NO.	SHEET NO.	REV.	BUDGET REF.	LOCATION
AS SHOWN	A1	BK-W028-PEDCO-110-CV-PY-0002	05 OF 42	D05	053-073-9184	F

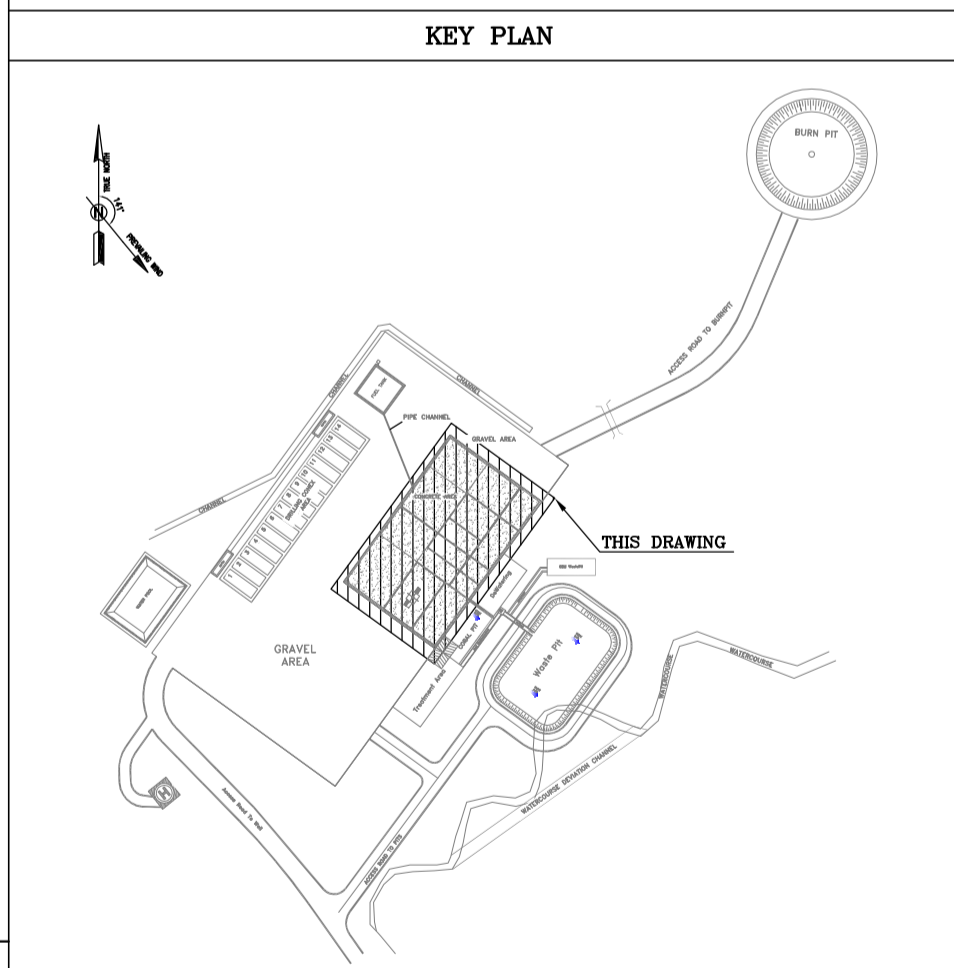
- NOTES**
- ALL COORDINATES ARE IN METER.
 - ALL DIMENSIONS ARE IN MILLIMETERS AND ELEVATIONS ARE IN METER.
 - ALL DRAWINGS SHALL BE CHECKED BY CONTRACTOR WITH RELATIVE DRAWINGS BEFORE CONSTRUCTION.
 - ACCORDING TO THE SPECIFICATION OF CONCRETE WORKS: "BK-GNRL-PEDCO-000-ST-SP-0001", 28 DAYS CHARACTERISTIC COMPRESSIVE STRENGTH OF MAIN CONCRETE IS 25 MPa (ON CYLINDRICAL SPECIMEN)
 - ACCORDING TO THE SPECIFICATION OF CONCRETE WORKS: "BK-GNRL-PEDCO-000-ST-SP-0001", 28 DAYS CHARACTERISTIC COMPRESSIVE STRENGTH OF LEAN CONCRETE IS 15 MPa (ON CYLINDRICAL SPECIMEN)
 - REINFORCING BARS SHALL BE S400 ACCORDING TO: ISIRI3132 AND INBC9 WITH MINIMUM TENSILE YIELD STRENGTH 400 N/mm²
 - MINIMUM FOUNDATION NET CONCRETE COVER SHALL BE 75 mm.
 - SPECIFICATIONS OF THERMO PLAST ACRYLIC COLOR, BASED ON No.3758 NATIONAL STANDARD CODE: DENSITY : 4.1-5.1 gr/cm³ THICKNESS : 300-400 MICRON GLOSS : DULL SOLID MATERIAL PERCENTAGE BY WEIGHT : 75%±2 SOLID MATERIAL PERCENTAGE BY VOLUME : 48%±2
 - JOINT SEALANT MATERIALS SHALL BE WETHER-RESISTANT POLYURETHANE OR SILICONE SCH AS "AEROLASTIC 1674" OR SIMILAR AND SHALL CONFORM TO BS-4254 FOR VERTICAL JOINTS IN WALLS.
 - CONTRACTION JOINTS SHALL BE CONSIDERED IN CONCRETE SLABS EVERY 6m.
 - GEODETIC PARAMETERS FOR COORDINATES ARE AS BELOW:
HORIZONTAL COORDINATE SYSTEM: WGS84/UTM ZONE 39
ELLIPSOID : WORLD GEODETIC SYSTEM 1984 (WGS84)
MAP PROJECTION: UNIVERSAL TRANSVERSE MERCATOR (UTM)
VERTICAL DATUM: MSL
- ±0.00 = +31.00(R.G.L.)MSL

LEGEND AND ABBREVIATION

	REINFORCED CONCRETE	T.O.F.	TOP OF FOUNDATION
	LEAN CONCRETE	T.O.W.	TOP OF WALL
	CEMENT BLOCK WALL	T.O.C.	TOP OF CONCRETE
	GRAVEL	T.O.PIT	TOP OF PIT
	SUB GRADE	B.O.P.	BOTTOM OF PIPE
	SLOPE	R.G.L.	ROUGH GRADING LEVEL

REFERENCE DRAWING

REFERENCE DRAWING	DRG. No.
SPECIFICATION FOR FENCE & GATE	BK-GNRL-PEDCO-000-CV-SP-0003
GENERAL NOTES - STEEL STRUCTURES	BK-GNRL-PEDCO-000-ST-DW-0011
GENERAL NOTES - REINFORCED CONCRETE STRUCTURES	BK-GNRL-PEDCO-000-ST-DW-0012
GENERAL CIVIL LAYOUT - W028	BK-W028-PEDCO-110-CV-PY-0001
ROUGH GRADING PLANS - W028	BK-W028-PEDCO-110-CV-DW-0001
STANDARD DRAWING FOR CULVERT & DETAILS	BK-GNRL-PEDCO-000-CV-DW-0014
STANDARD DETAILS OF MISCELLANEOUS ITEMS	BK-GNRL-PEDCO-000-CV-DW-0040



اسم و کلیه نسخ این نقشه و حق اقتباس متعلق به شرکت ملی مناطق نفت خیز جنوب میباشد.

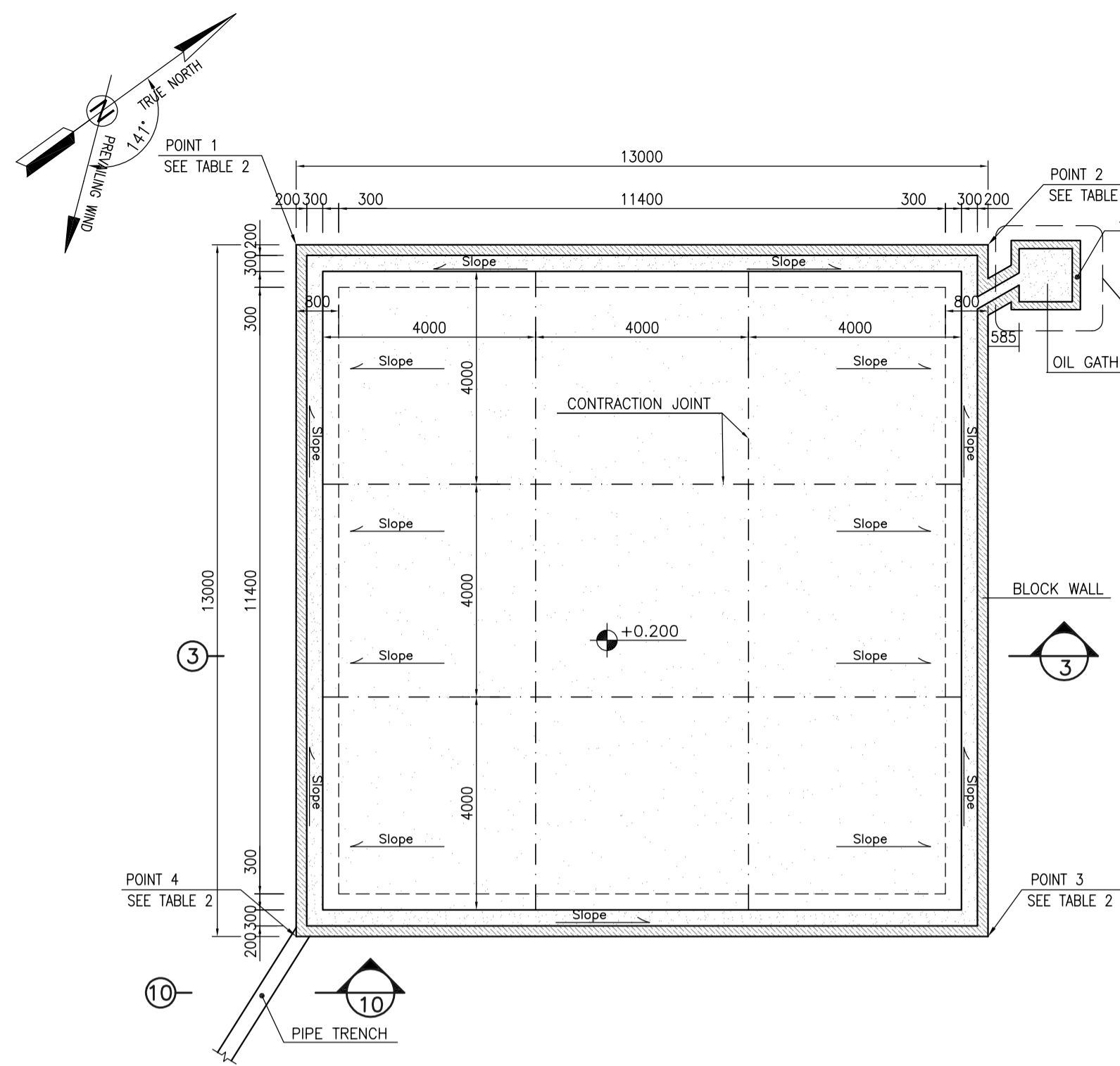
THE ORIGINAL AND ALL COPIES OF THIS DRAWING TOGETHER WITH THE COPYRIGHT THEREIN ARE THE SOLE PROPERTY OF N.I.S.O.C./ FIELDS

DATE	SCALE	DRAWING BY	CHECKED BY	PROJECT ENG.

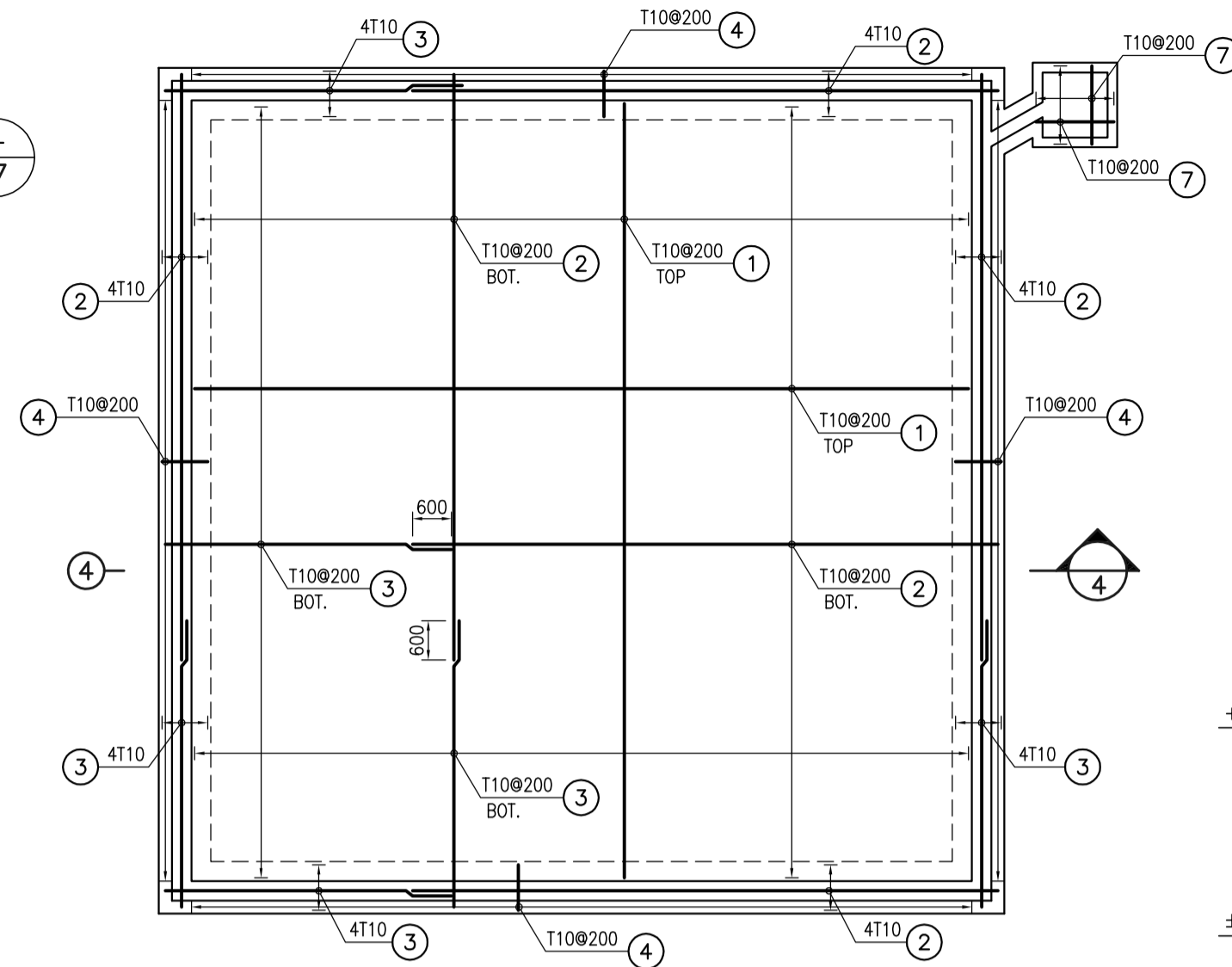
NO CONSTRUCTION PERMITTED UNLESS DRAWING APPROVED

APPROVED FOR CONSTRUCTION	BY:	DATE:

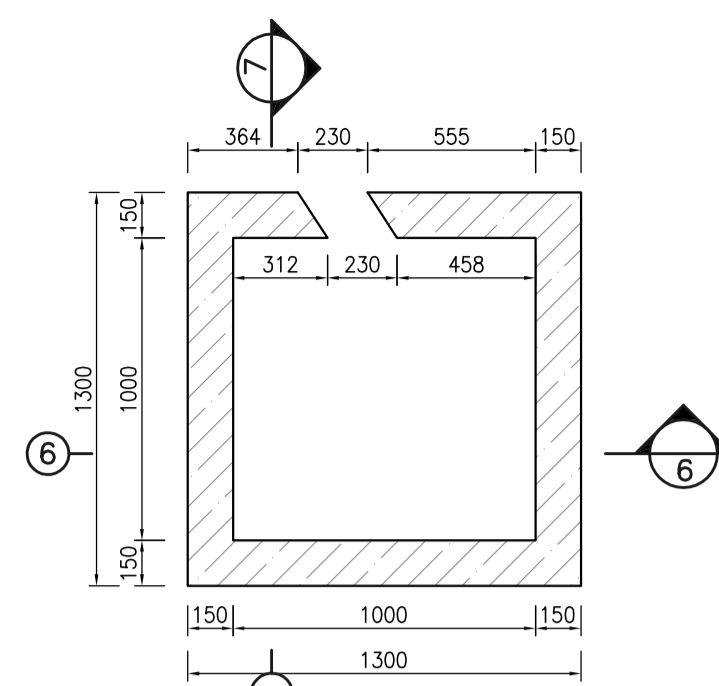
SCALE	SIZE	DRAWING NO.	SHEET NO.	REV.	BUDGET REF.	LOCATION	SIZE CLASS	SERIAL NO.	SHEET	REVISION
AS SHOWN	A1	BK-W028-PEDCO-110-CV-PY-0002	05 OF 42	D05	053-073-9184	F	4	S	707548	5



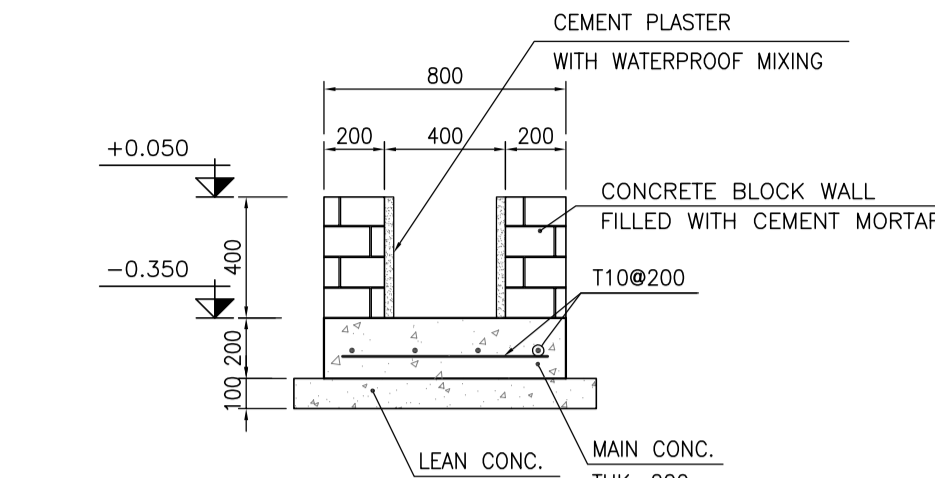
1:100 (1) GAS OIL STORAGE FOUNDATION FORMWORK



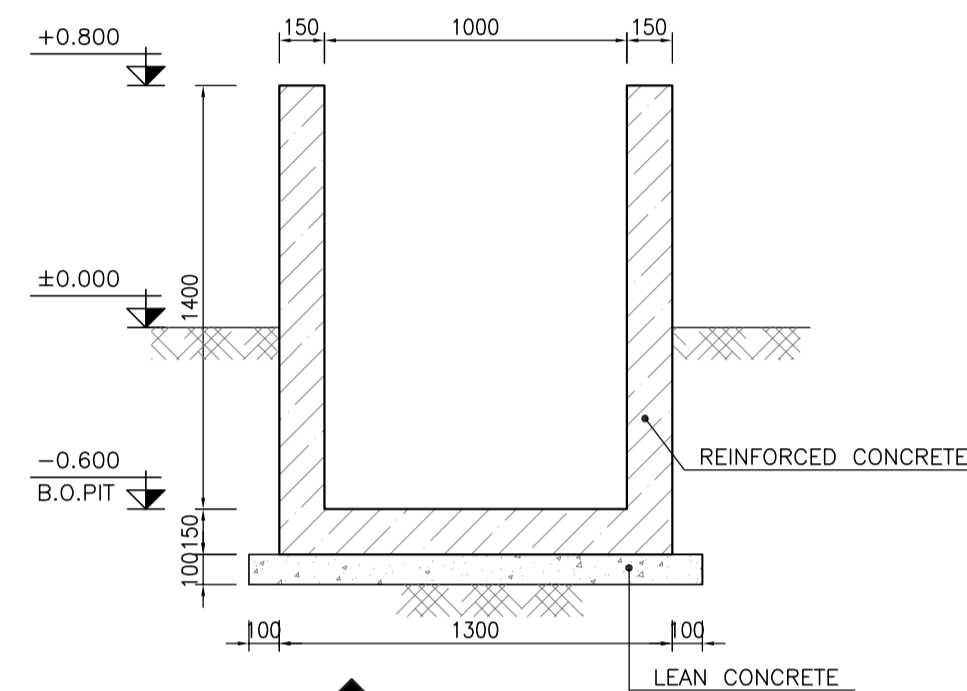
1:100 (2) GAS OIL STORAGE FOUNDATION REINFORCEMENT



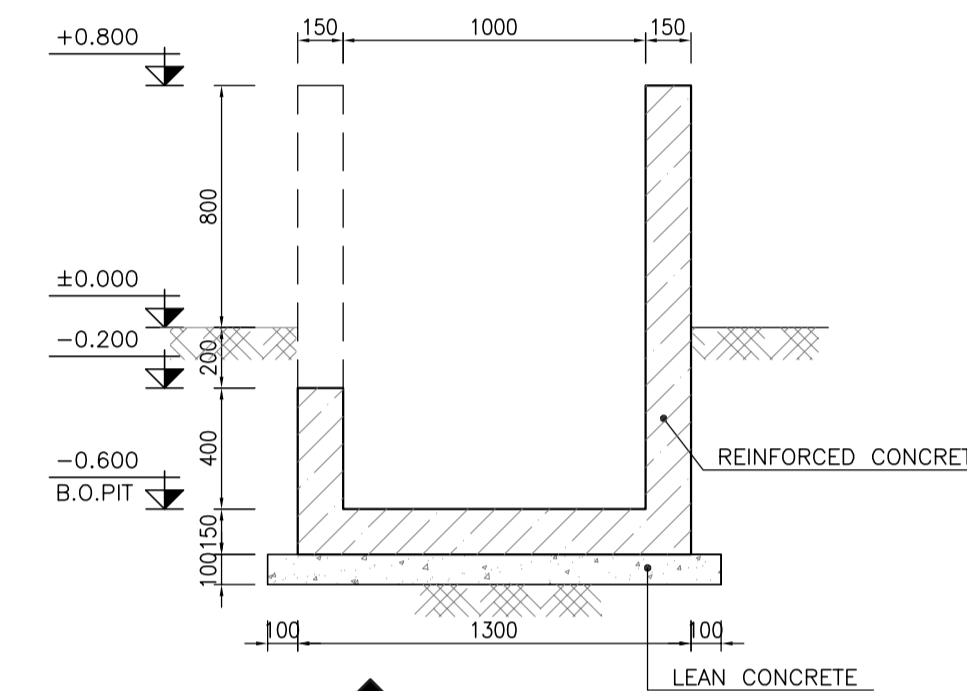
1:25 (5) OIL GATHERING PIT



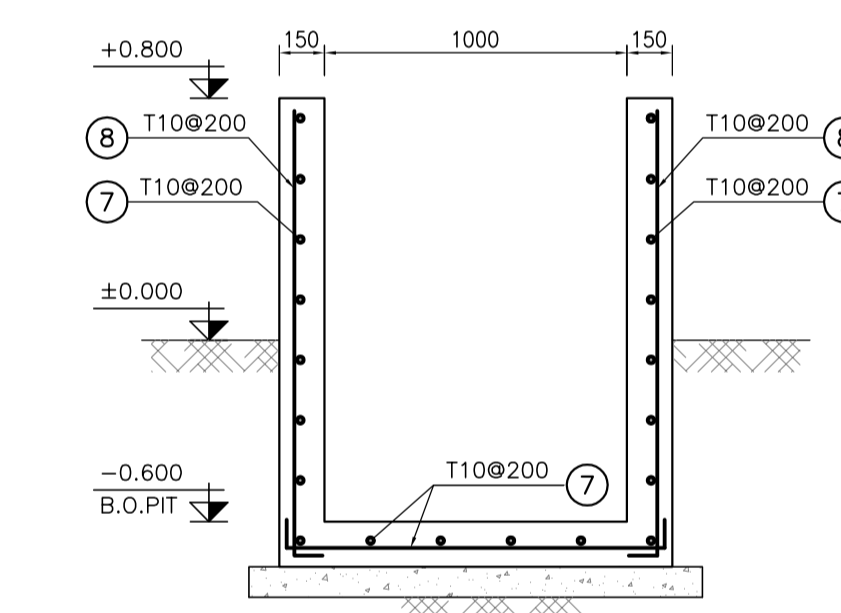
1:25 (10) TYPICAL SECTION OF PIPE TRENCH



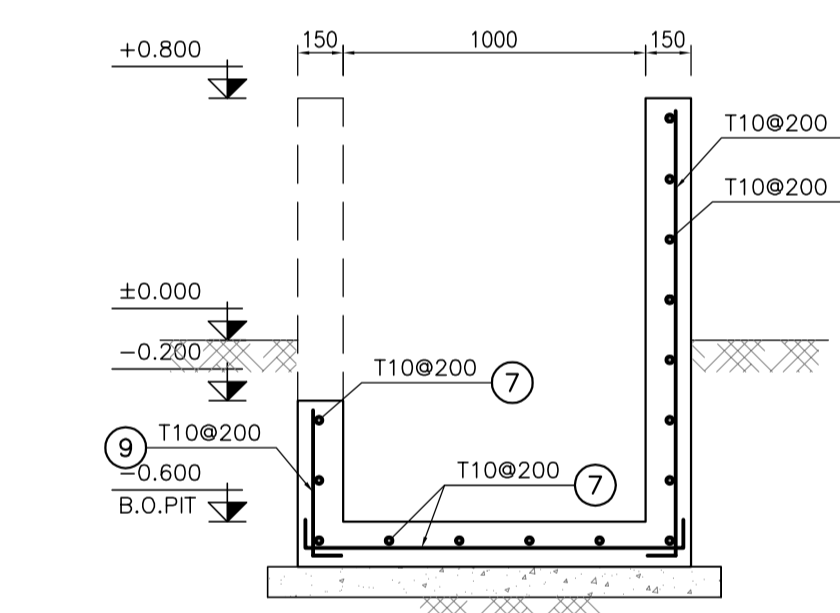
1:25 (6) FORMWORK



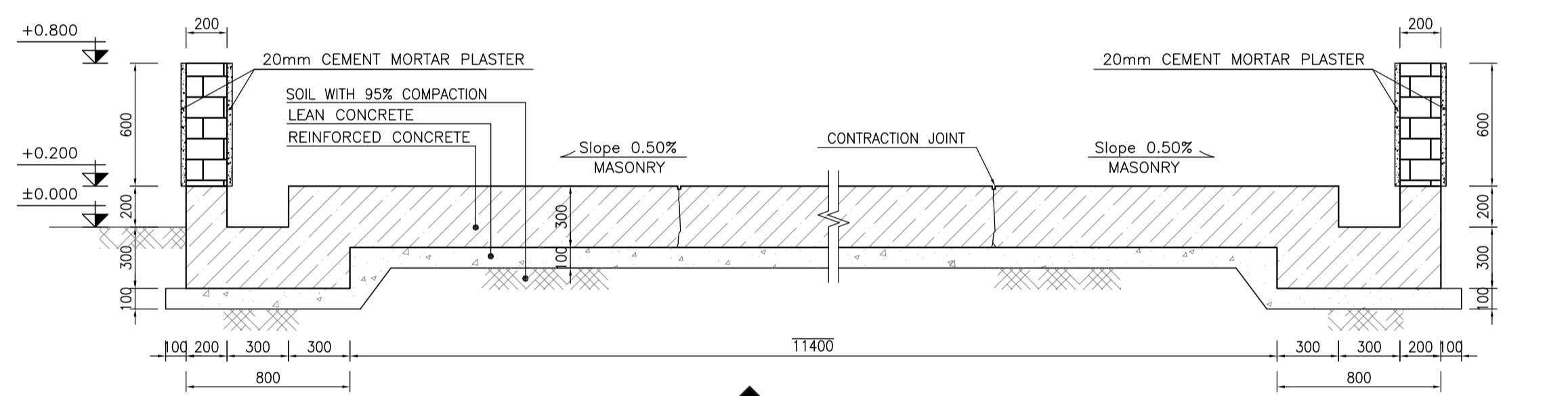
1:25 (7) FORMWORK



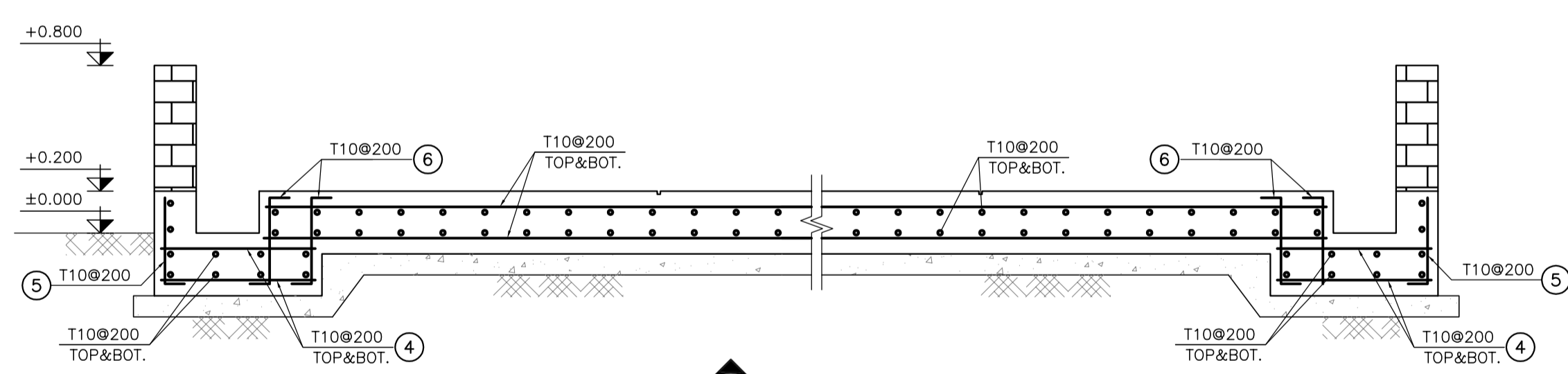
1:25 (8) REINFORCEMENT



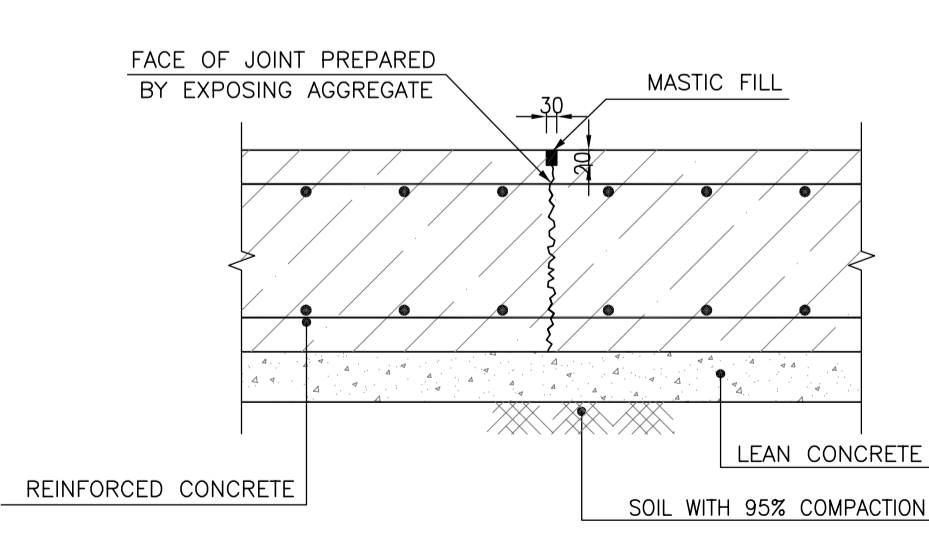
1:25 (9) REINFORCEMENT



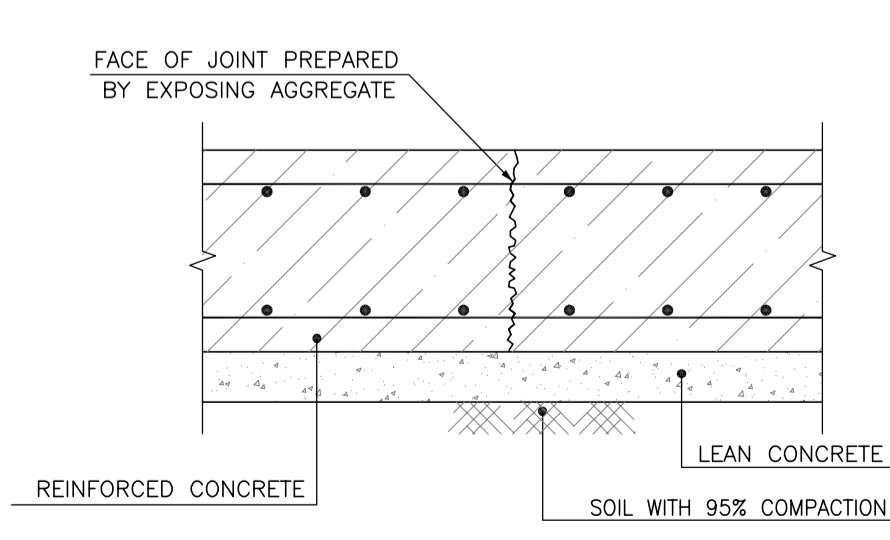
1:25 (3) FORMWORK



1:25 (4) REINFORCEMENT



N.T.S. (11) TYPICAL CONTRACTION JOINT EVERY 4000



N.T.S. (12) TYPICAL CONSTRUCTION JOINT

BAR BENDING SCHEDULE - GAS OIL STORAGE					
Pos	Spec.	Shape	L/A	No.	T10
1	T10	11850	11.85	124	1469.4
2	T10	9000	9.00	140	1260.0
3	T10	4450	4.45	140	600.85
4	T10	650	0.65	480	312.00
5	T10	150 350	0.50	240	120.00
6	T10	150 350 150	0.65	480	312.00
7	T10	1150	1.15	37	42.55
8	T10	150 1400	1.55	34	52.70
9	T10	150 400	0.55	14	7.70
TOTAL LENGTH OR AREA (m)					4188.20
UNIT WEIGHT (Kg/m)					0.617
WEIGHT (Kg)					2577.34
GRAND TOTAL (Kg)					2580

TABLE 2 (CORNERS COORDINATES)		
POINT 1	E=437105.558	N=3293162.643
POINT 2	E=437113.198	N=3293173.161
POINT 3	E=437123.716	N=3293165.521
POINT 4	E=437116.076	N=3293155.003

REV.	DATE	P.O.I.S	PREP.	CHK.	APP.	AUT.
D05	JUL.2022	IFA	R. BERLOUFI	M.FAKHARIAN	M.MEHRSHAD	***
D04	JUN.2022	IFA	R. BERLOUFI	M.FAKHARIAN	M.MEHRSHAD	***
D03	MAY.2022	IFA	R. BERLOUFI	M.FAKHARIAN	M.MEHRSHAD	***
D02	MAR.2022	IFA	R. BERLOUFI	M.FAKHARIAN	M.MEHRSHAD	***
D01	NOV.2021	IFA	R. BERLOUFI	M.FAKHARIAN	M.MEHRSHAD	***
D00	OCT.2021	IPC	R. BERLOUFI	M.FAKHARIAN	SH.GHALIKAR	***

PROJECT NAME: BINAK OILFIELD DEVELOPMENT/SUB-SURFACE WORK PACKAGES W028 WELLHEAD FACILITIES						
PROJECT NO.:		971020				
EPC CONTRACTOR:			EPD/EPC CONTRACTOR(GC):			
HIRGAN ENERGY			PETROIRAN DEVELOPMENT COMPANY			
HIRGAN ENERGY - DESIGN & INSPECTION COMPANIES			PEDCO			
DRAWING TITLE: CIVIL AND STRUCTURAL DRAWINGS-W028S GAS OIL PAD FORMWORK & REINFORCEMENT PLAN-SECTION						
SCALE	SIZE	DRAWING NO.	SHEET NO.	REV.	BUDGET REF.	LOCATION
AS SHOWN	A1	BK-W028-PEDCO-110-CV-PY-0002	06 OF 42	D05	053-073-9184	F

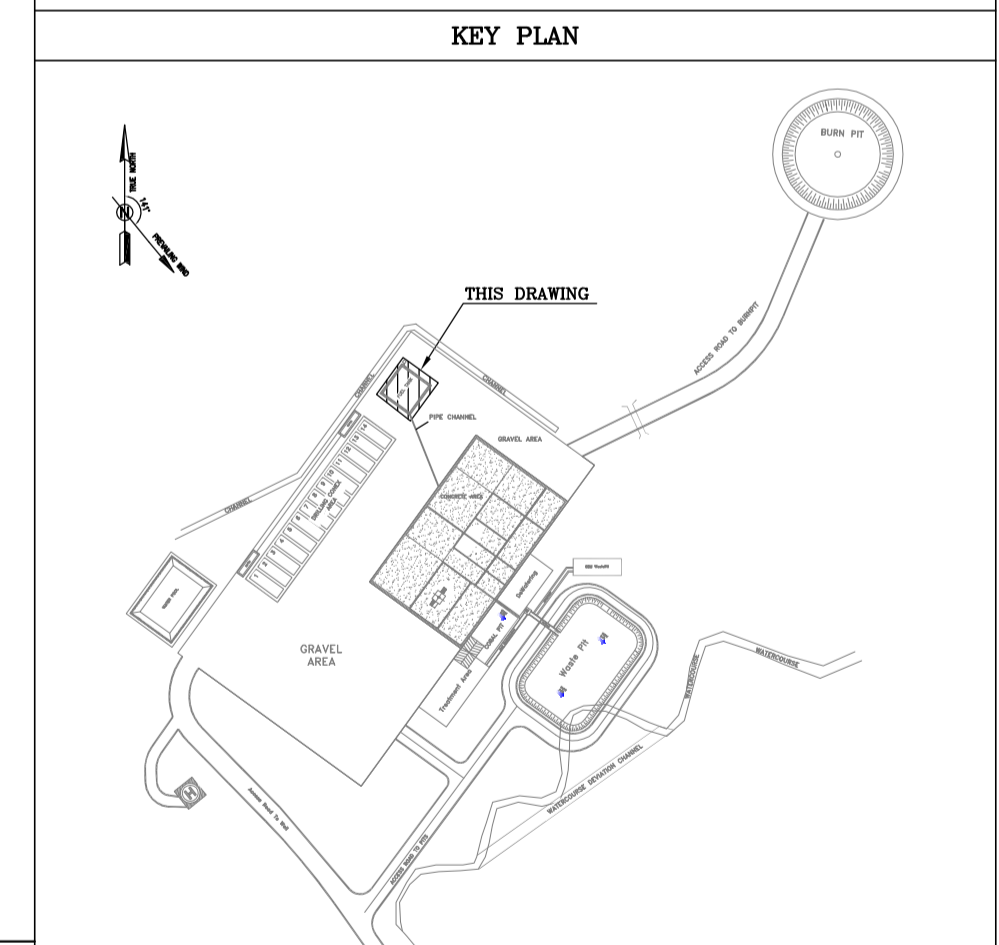
- NOTES**
- ALL COORDINATES ARE IN METER.
 - ALL DIMENSIONS ARE IN MILLIMETERS AND ELEVATIONS ARE IN METER.
 - ALL DRAWINGS SHALL BE CHECKED BY CONTRACTOR WITH RELATIVE DRAWINGS BEFORE CONSTRUCTION.
 - ACCORDING TO THE SPECIFICATION OF CONCRETE WORKS: "BK-GNRL-PEDCO-000-ST-SP-0001", 28 DAYS CHARACTERISTIC COMPRESSIVE STRENGTH OF MAIN CONCRETE IS 25 MPa (ON CYLINDRICAL SPECIMEN)
 - ACCORDING TO THE SPECIFICATION OF CONCRETE WORKS: "BK-GNRL-PEDCO-000-ST-SP-0001", 28 DAYS CHARACTERISTIC COMPRESSIVE STRENGTH OF LEAN CONCRETE IS 15 MPa (ON CYLINDRICAL SPECIMEN)
 - REINFORCING BARS SHALL BE S400 ACCORDING TO: ISIRI3132 AND INBC9 WITH MINIMUM TENSILE YIELD STRENGTH 400 N/mm²
 - MINIMUM FOUNDATION NET CONCRETE COVER SHALL BE 75 mm.
 - SPECIFICATIONS OF THERMO PLAST ACRYLIC COLOR, BASED ON No.3758 NATIONAL STANDARD CODE: DENSITY : 4.1-5.1 gr/cm³ THICKNESS : 300-400 MICRON GLOSS : DULL SOLID MATERIAL PERCENTAGE BY WEIGHT : 75%±2 SOLID MATERIAL PERCENTAGE BY VOLUME : 48%±2
 - JOINT SEALANT MATERIALS SHALL BE WETHER-RESISTANT POLYURETHANE OR SILICONE SCH AS "AEROLASTIC 1674" OR SIMILAR AND SHALL CONFORM TO BS-4254 FOR VERTICAL JOINTS IN WALLS.
 - CONTRACTION JOINTS SHALL BE CONSIDERED IN CONCRETE SLABS EVERY 6m.
 - GEODETIC PARAMETERS FOR COORDINATES ARE AS BELOW:
HORIZONTAL COORDINATE SYSTEM: WGS84/UTM ZONE 39
ELLIPSOID : WORLD GEODETIC SYSTEM 1984 (WGS84)
MAP PROJECTION: UNIVERSAL TRANSVERSE MERCATOR (UTM)
VERTICAL DATUM: MSL

LEGEND AND ABBREVIATION

	REINFORCED CONCRETE	T.O.F.	TOP OF FOUNDATION
	LEAN CONCRETE	T.O.W.	TOP OF WALL
	CEMENT BLOCK WALL	T.O.C.	TOP OF CONCRETE
	GRAVEL	T.O.PIT	TOP OF PIT
	SUB GRADE	B.O.P.	BOTTOM OF PIPE
	SLOPE	R.G.L.	ROUGH GRADING LEVEL

REFERENCE DRAWING

REFERENCE DRAWING	DRG. No.
SPECIFICATION FOR FENCE & GATE	BK-GNRL-PEDCO-000-CV-SP-0003
GENERAL NOTES - STEEL STRUCTURES	BK-GNRL-PEDCO-000-ST-DW-0011
GENERAL NOTES - REINFORCED CONCRETE STRUCTURES	BK-GNRL-PEDCO-000-ST-DW-0012
GENERAL CIVIL LAYOUT - W028	BK-W028-PEDCO-110-CV-PY-0001
ROUGH GRADING PLANS - W028	BK-W028-PEDCO-110-CV-DW-0001
STANDARD DRAWING FOR CULVERT & DETAILS	BK-GNRL-PEDCO-000-CV-DW-0014
STANDARD DETAILS OF MISCELLANEOUS ITEMS	BK-GNRL-PEDCO-000-CV-DW-0040



REV.	DESCRIPTION	BY	DATE	BY	DATE
***	*****	***	*****	***	*****

اصل و کلیه نسخ این نقشه و حق اقتباس متعلق به شرکت ملی مناطق نفت خیز جنوب میباشد.

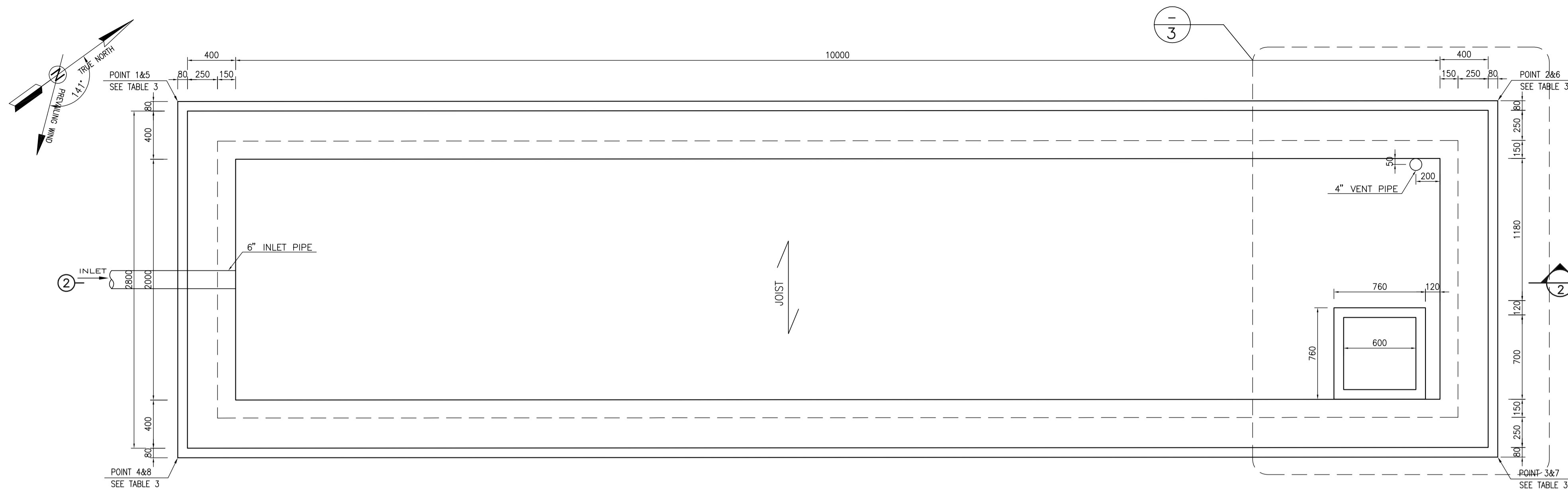
THE ORIGINAL AND ALL COPIES OF THIS DRAWING TOGETHER WITH THE COPYRIGHT THEREIN ARE THE SOLE PROPERTY OF N.I.S.O.C./ FIELDS

BINAK OILFIELD DEVELOPMENT SUB-SURFACE WORK PACKAGES W028 WELLHEAD FACILITIES

DATE	SCALE	DRAWING BY	CHECKED BY	PROJECT ENG.

NO CONSTRUCTION PERMITTED UNLESS DRAWING APPROVED

APPROVED FOR CONSTRUCTION				BY:	DATE:
SCALE	SIZE	DRAWING NO.	SHEET NO.	REV.	BUDGET REF.
AS SHOWN	A1	BK-W028-PEDCO-110-CV-PY-0002	06 OF 42	D05	053-073-9184



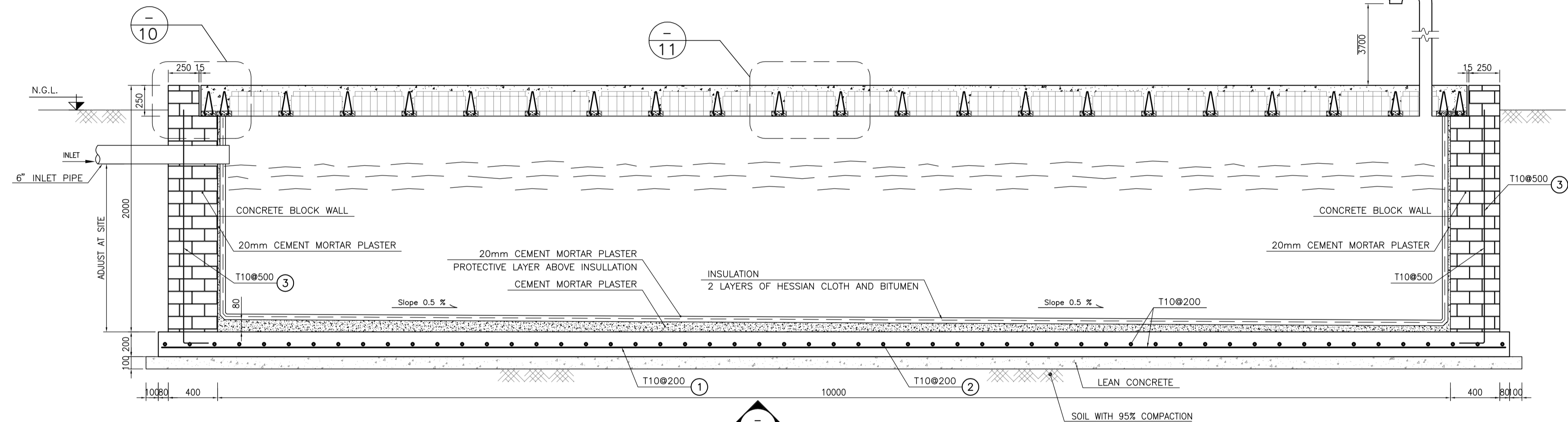
**TABLE 3
(CORNERS COORDINATES)**

POINT	E	N
POINT 1	E=437090.383	N=3293148.353
POINT 2	E=437096.825	N=3293157.221
POINT 3	E=437099.219	N=3293155.480
POINT 4	E=437092.777	N=3293146.612
POINT 5	E=437054.638	N=3293099.141
POINT 6	E=437061.079	N=3293108.008
POINT 7	E=437063.473	N=3293106.267
POINT 8	E=437057.032	N=3293097.400

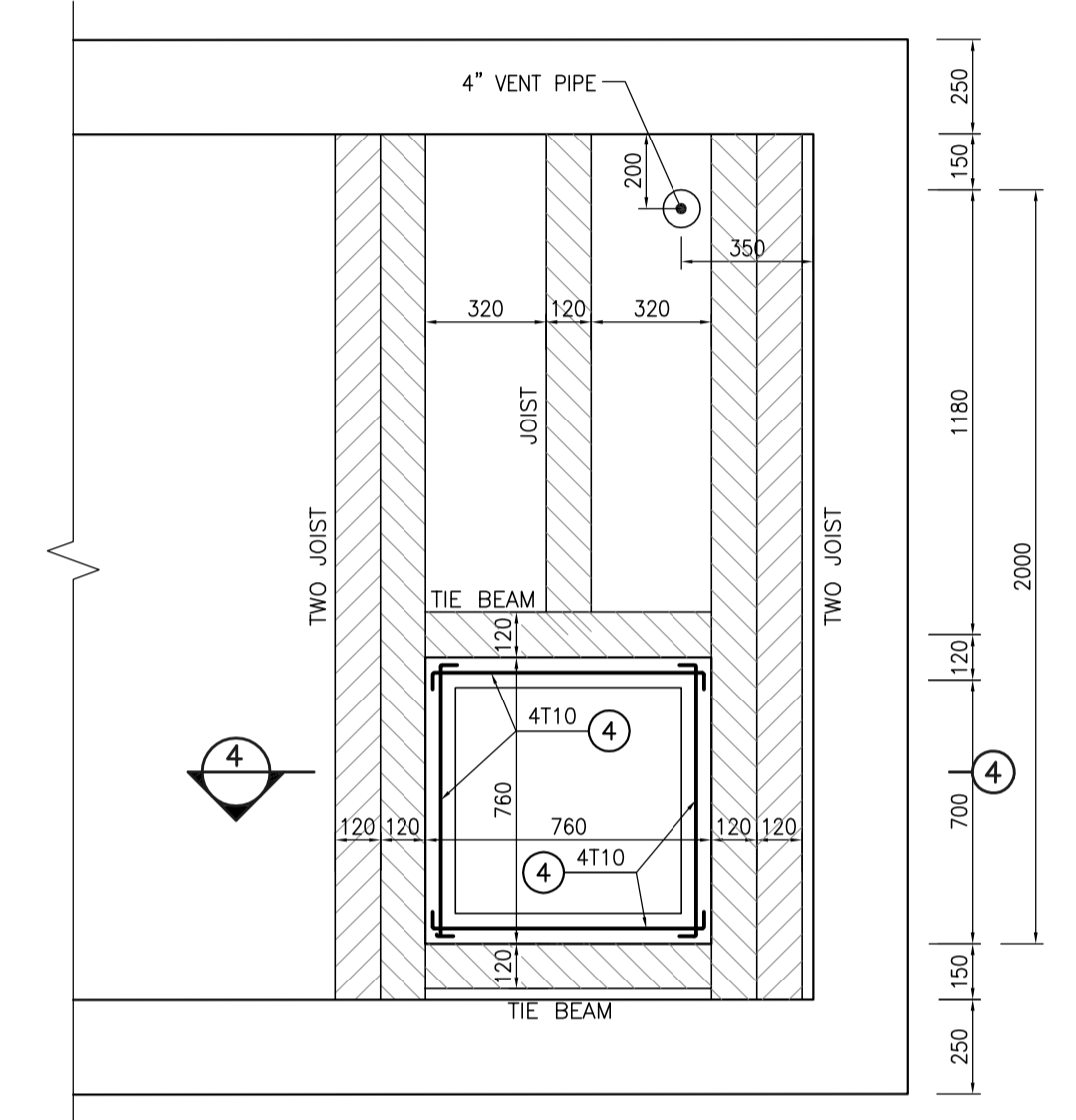
- NOTES**
- 1- ALL COORDINATES ARE IN METER.
 - 2- ALL DIMENSIONS ARE IN MILLIMETERS AND ELEVATIONS ARE IN METER.
 - 3- ALL DRAWINGS SHALL BE CHECKED BY CONTRACTOR WITH RELATIVE DRAWINGS BEFORE CONSTRUCTION.
 - 4- ACCORDING TO THE SPECIFICATION OF CONCRETE WORKS: "BK-GNRL-PEDCO-000-ST-SP-0001", 28 DAYS CHARACTERISTIC COMPRESSIVE STRENGTH OF MAIN CONCRETE IS 25 MPa (ON CYLINDRICAL SPECIMEN)
 - 5- ACCORDING TO THE SPECIFICATION OF CONCRETE WORKS: "BK-GNRL-PEDCO-000-ST-SP-0001", 28 DAYS CHARACTERISTIC COMPRESSIVE STRENGTH OF LEAN CONCRETE IS 15 MPa (ON CYLINDRICAL SPECIMEN)
 - 6- REINFORCING BARS SHALL BE S400 ACCORDING TO: ISIRI3132 AND INBC9 WITH MINIMUM TENSILE YIELD STRENGTH 400 N/mm²
 - 7- MINIMUM FOUNDATION NET CONCRETE COVER SHALL BE 75 mm.
 - 8- SPECIFICATIONS OF THERMO PLAST ACRYLIC COLOR, BASED ON No.3758 NATIONAL STANDARD CODE:
DENSITY : 4.1-5.1 gr/cm³
THICKNESS : 300-400 MICRON
GLOSS : DULL
SOLID MATERIAL PERCENTAGE BY WEIGHT : 75%±2
SOLID MATERIAL PERCENTAGE BY VOLUME : 48%±2
 - 9- JOINT SEALANT MATERIALS SHALL BE WETHER-RESISTANT POLYURETHANE OR SILICONE SCH AS "AEROLASTIC 1674" OR SIMILAR AND SHALL CONFORM TO BS-4254 FOR VERTICAL JOINTS IN WALLS.
 - 10- CONTRACTION JOINTS SHALL BE CONSIDERED IN CONCRETE SLABS EVERY 6m.
 - 11- GEODETIC PARAMETERS FOR COORDINATES ARE AS BELOW:
HORIZONTAL COORDINATE SYSTEM: WGS84/UTM ZONE 39
ELLIPSOID : WORLD GEODETIC SYSTEM 1984 (WGS84)
MAP PROJECTION: UNIVERSAL TRANSVERSE MERCATOR (UTM)
VERTICAL DATUM: MSL

±0.00 = +31.00(R.G.L.)MSL

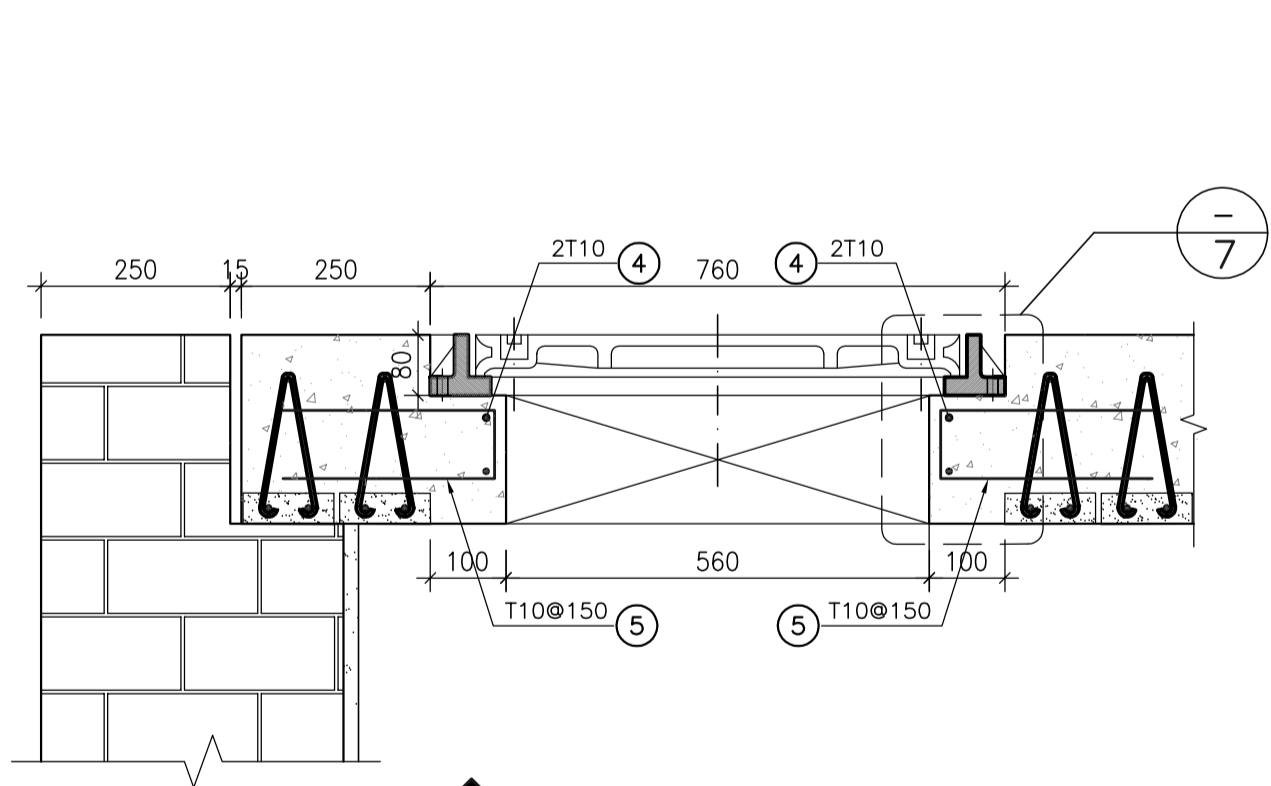
SEPTIC TANK PLAN
1:25



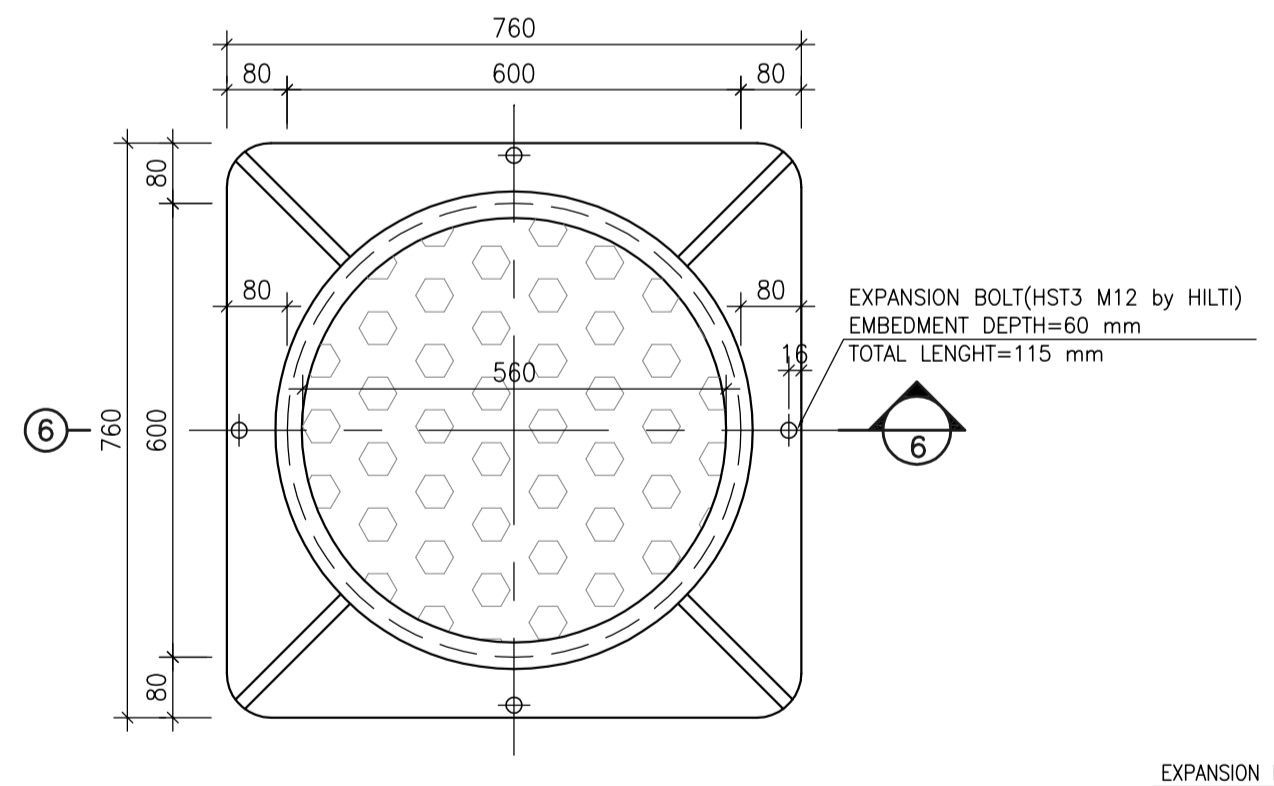
FORMWORK REINFORCEMENT
1:25



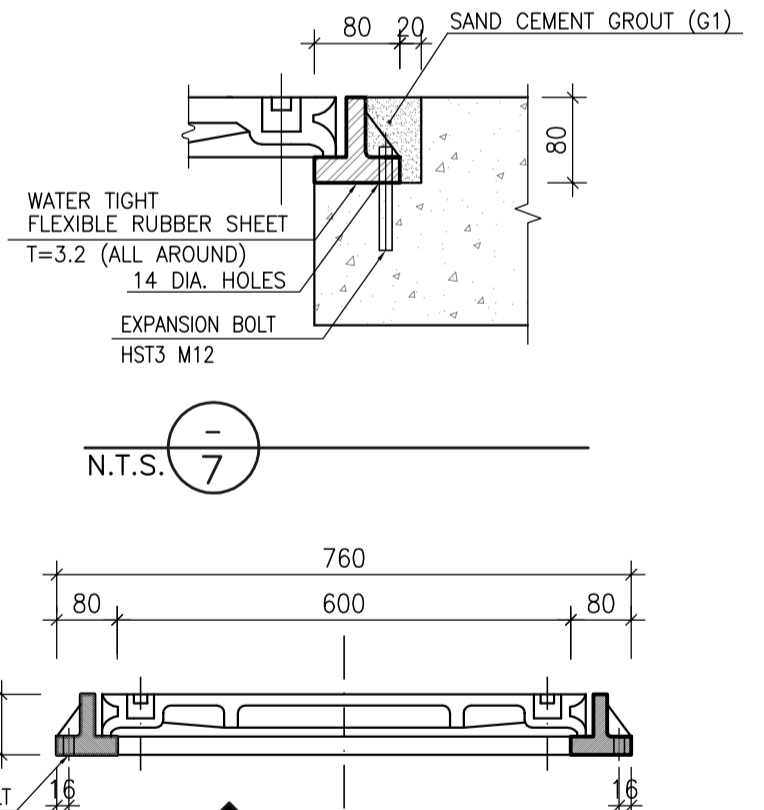
ARRANGEMENT OF MARKERS
1:20



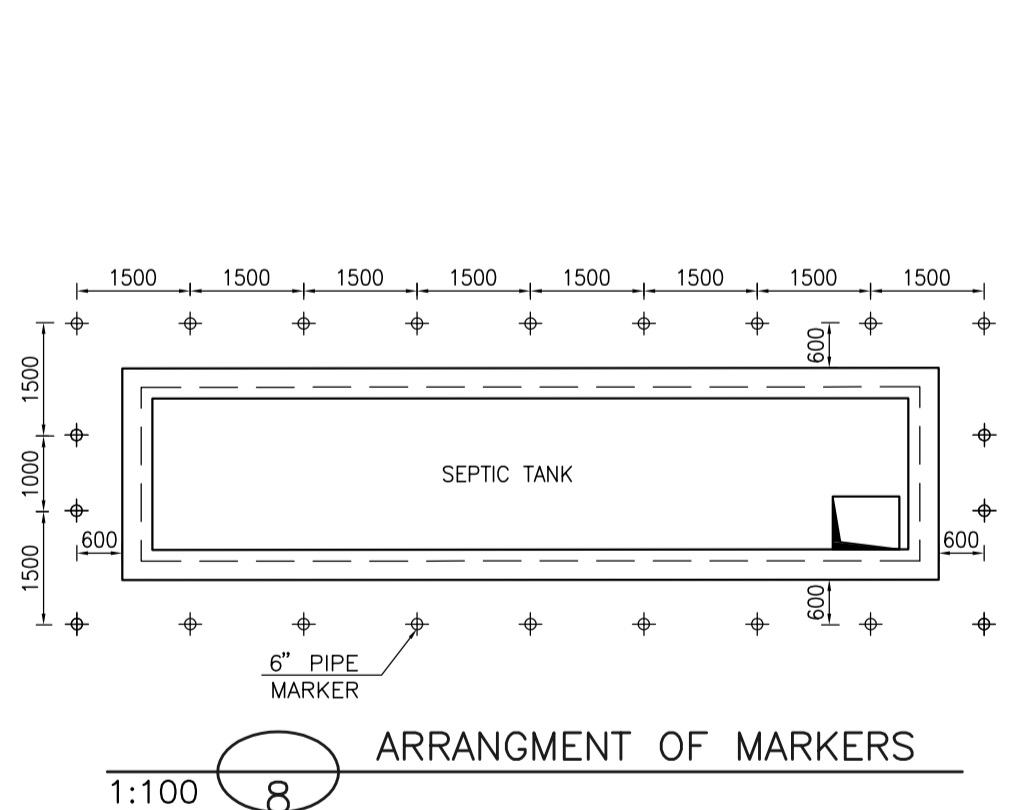
DUCTILE IRON DETAIL 4
1:10



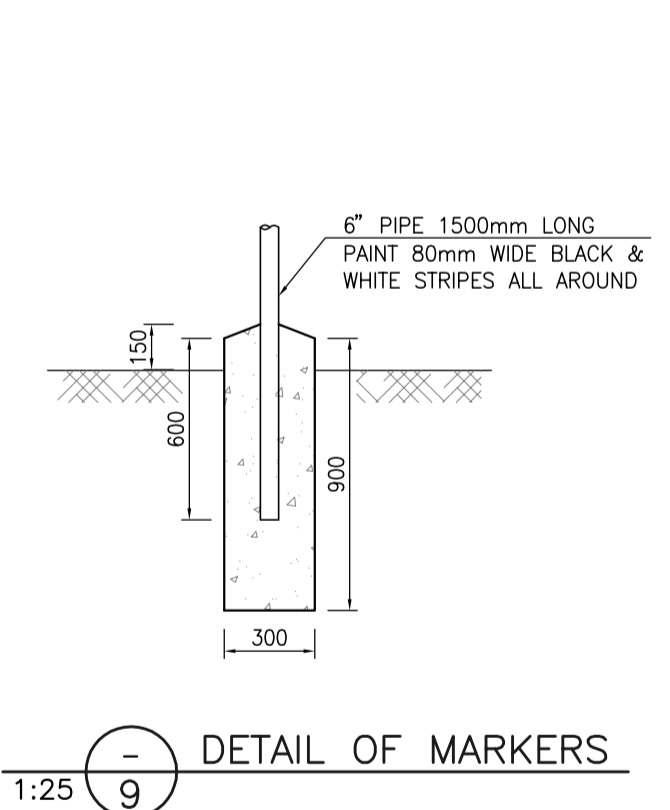
DUCTILE IRON DETAIL 5
1:10



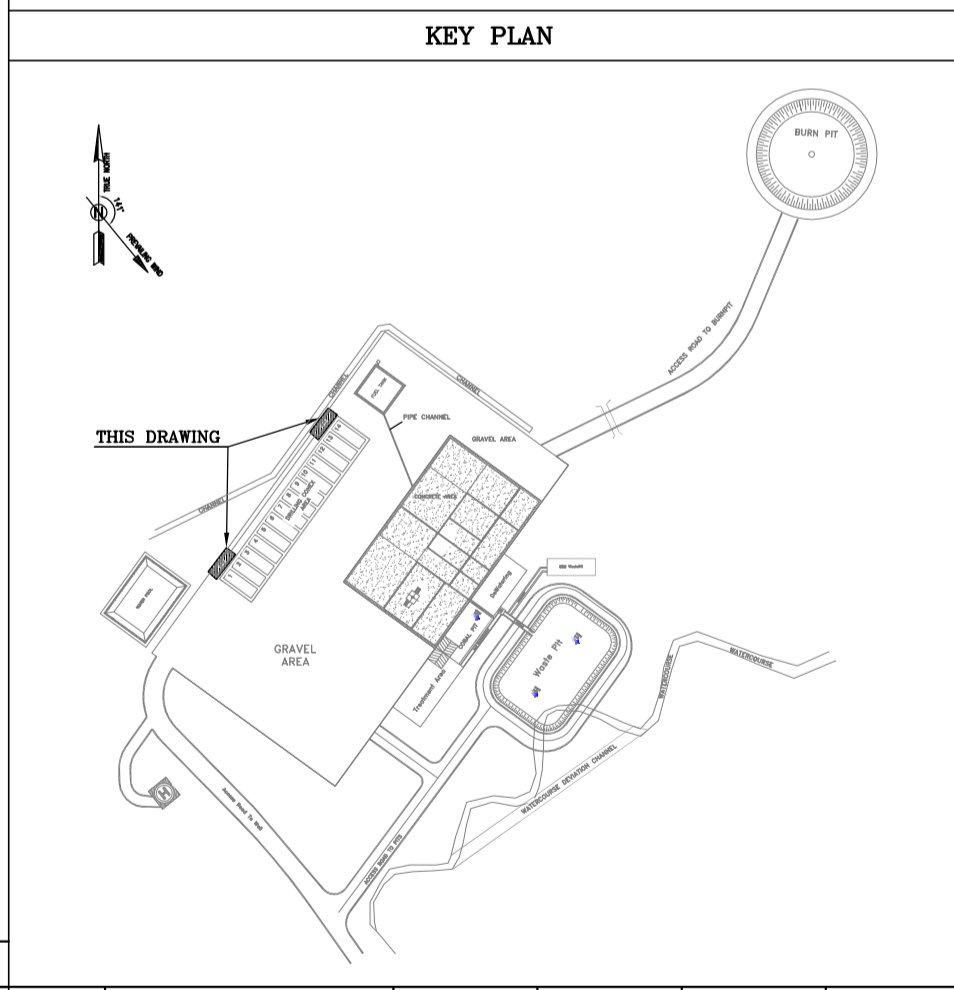
DUCTILE IRON DETAIL 6
1:10



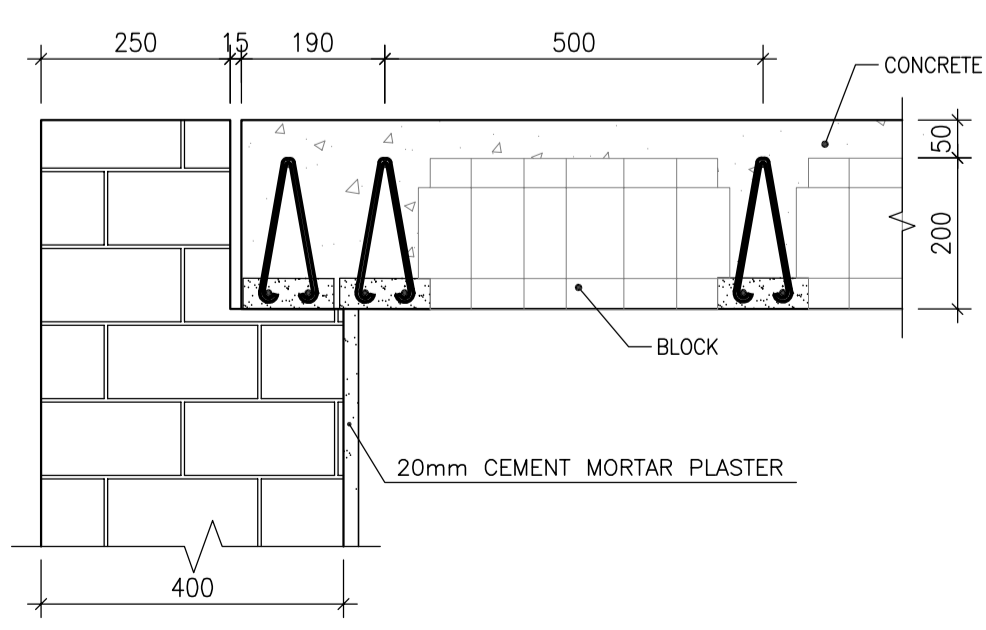
DETAIL OF MARKERS 8
1:100



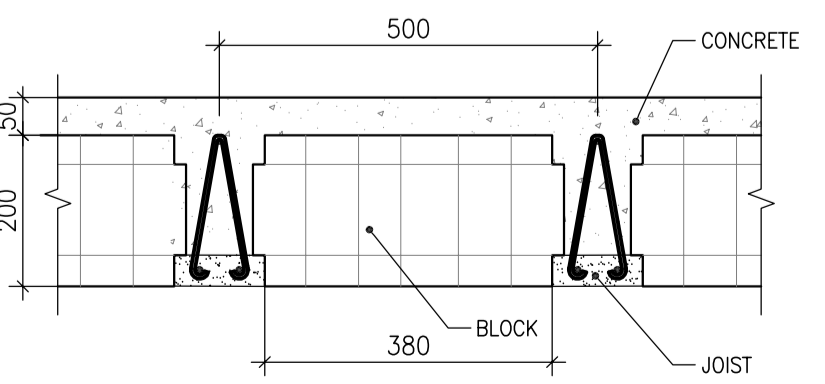
DETAIL OF MARKERS 9
1:25



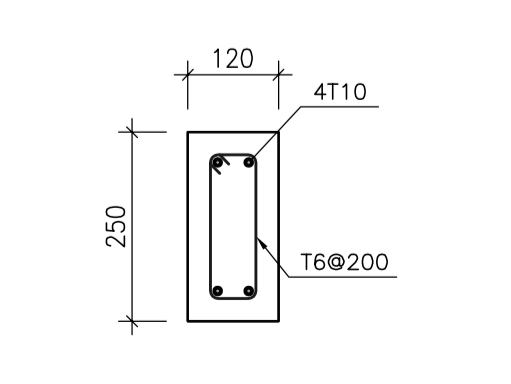
KEY PLAN



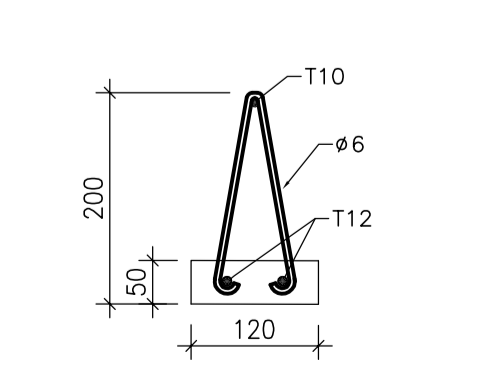
TYPICAL SEC. OF TIE BEAM
1:10



TYPICAL SEC. OF TIE BEAM
1:10



JOIST DETAIL 12
1:10



JOIST DETAIL 13
1:10

BAR BENDING SCHEDULE - SEPTIC TANK

Pos	Spec.	Shape	L/A	No.	T10
1	T10	19800	10.80	14	151.20
2	T10	2800	2.80	18	50.40
3	T10	150 2050	2.20	52	114.40
4	T10	150 600 150	0.90	8	7.20
5	T10	90 280 280	0.65	20	13.0
TOTAL LENGTH OR AREA (m/m²)					336.20
UNIT WEIGHT (Kg)					0.617
WEIGHT (Kg)					207.44
GRAND TOTAL (Kg)					210

REV.	DATE	DESCRIPTION	BY	DATE	BY	DATE
D05	JUL.2022	IFA	R. BERLOUEI	M.FAKHARIAN	M.MEHRSHAD	***
D04	JUN.2022	IFA	R. BERLOUEI	M.FAKHARIAN	M.MEHRSHAD	***
D03	MAY.2022	IFA	R. BERLOUEI	M.FAKHARIAN	M.MEHRSHAD	***
D02	MAR.2022	IFA	R. BERLOUEI	M.FAKHARIAN	M.MEHRSHAD	***
D01	NOV.2021	IFA	R. BERLOUEI	M.FAKHARIAN	M.MEHRSHAD	***
D00	OCT.2021	IPC	R. BERLOUEI	M.FAKHARIAN	SH.GHALIKAR	***

PROJECT NAME: BINAK OILFIELD DEVELOPMENT/SUB-SURFACE WORK PACKAGES W028 WELLHEAD FACILITIES
PROJECT NO.: 971020

EPC CONTRACTOR: HIRGAN ENERGY - DESIGN & INSPECTION COMPANIES
EPD/EPC CONTRACTOR(GC): PETROIRAN DEVELOPMENT COMPANY

DRAWING TITLE: CIVIL AND STRUCTURAL DRAWINGS-W028S SEPTIC TANK FORMWORK & REINFORCEMENT PLAN-SECTION

SCALE	SIZE	DRAWING NO.	SHEET NO.	REV.	BUDGET REF.	LOCATION	SIZE	CLASS	SERIAL NO.	SHEET	REVISION
AS SHOWN	A1	BK-W028-PEDCO-110-CV-PY-0002	07 OF 42	D05	053-073-9184	F	4	S	707548	7	D05

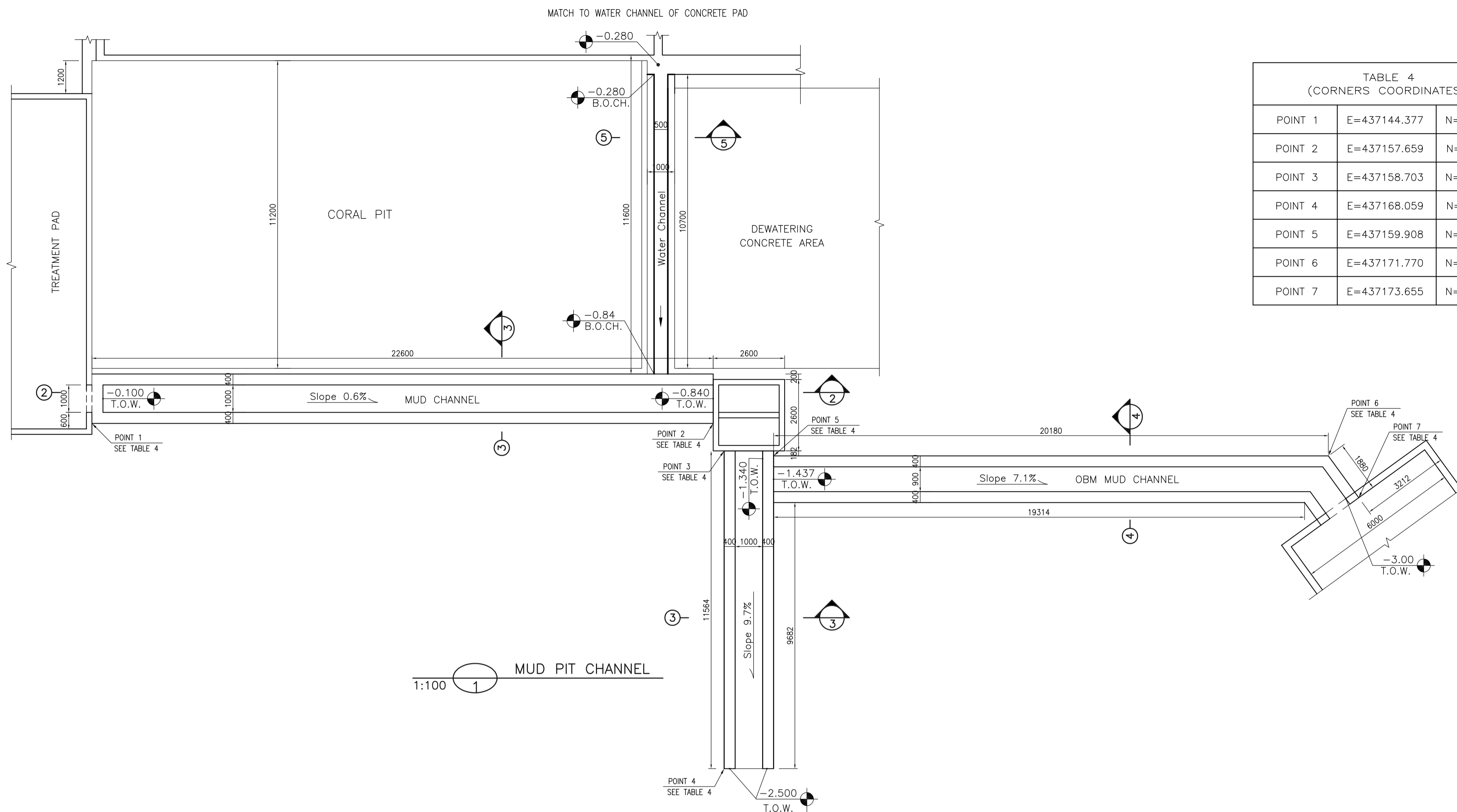
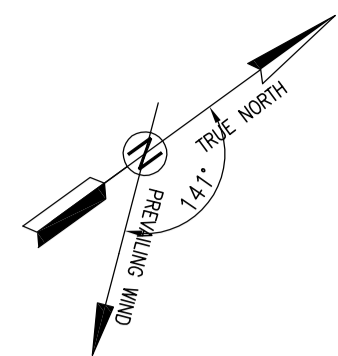
اسم و کلیه نسخ این نقشه و حق اقتباس متعلق به شرکت ملی مناطق نفت خیز جنوب میباشد.
THE ORIGINAL AND ALL COPIES OF THIS DRAWING TOGETHER WITH THE COPYRIGHT THEREIN ARE THE SOLE PROPERTY OF N.I.S.O.C./ FIELDS

BINAK OILFIELD DEVELOPMENT SUB-SURFACE WORK PACKAGES W028 WELLHEAD FACILITIES

DATE	SCALE	DRAWING BY	CHECKED BY	PROJECT ENG.

NO CONSTRUCTION PERMITTED UNLESS DRAWING APPROVED

APPROVED FOR CONSTRUCTION	BY:	DATE:



**TABLE 4
(CORNERS COORDINATES)**

POINT	E	N
POINT 1	E=437144.377	N=3293065.665
POINT 2	E=437157.659	N=3293083.951
POINT 3	E=437158.703	N=3293083.687
POINT 4	E=437168.059	N=3293076.891
POINT 5	E=437159.908	N=3293085.036
POINT 6	E=437171.770	N=3293101.370
POINT 7	E=437173.655	N=3293101.367

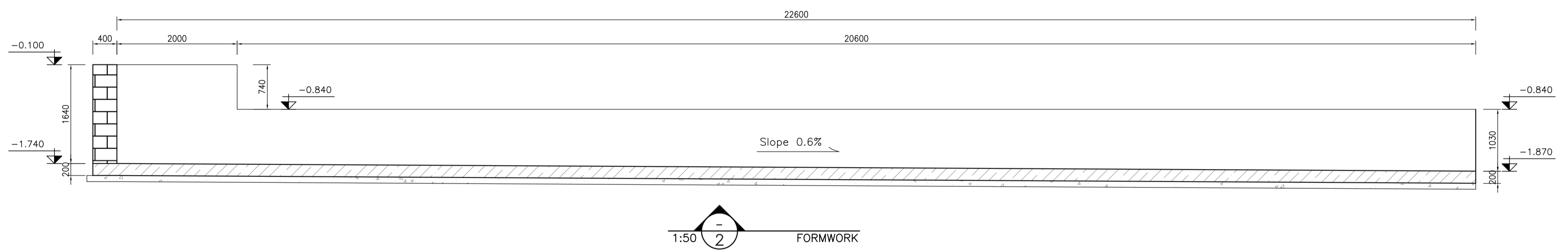
- NOTES**
- ALL COORDINATES ARE IN METER.
 - ALL DIMENSIONS ARE IN MILLIMETERS AND ELEVATIONS ARE IN METER.
 - ALL DRAWINGS SHALL BE CHECKED BY CONTRACTOR WITH RELATIVE DRAWINGS BEFORE CONSTRUCTION.
 - ACCORDING TO THE SPECIFICATION OF CONCRETE WORKS: "BK-GNRL-PEDCO-000-ST-SP-0001", 28 DAYS CHARACTERISTIC COMPRESSIVE STRENGTH OF MAIN CONCRETE IS 25 MPa (ON CYLINDRICAL SPECIMEN)
 - ACCORDING TO THE SPECIFICATION OF CONCRETE WORKS: "BK-GNRL-PEDCO-000-ST-SP-0001", 28 DAYS CHARACTERISTIC COMPRESSIVE STRENGTH OF LEAN CONCRETE IS 15 MPa (ON CYLINDRICAL SPECIMEN)
 - REINFORCING BARS SHALL BE S400 ACCORDING TO ISIRI 3132 AND INBC9 WITH MINIMUM TENSILE YIELD STRENGTH 400 N/mm²
 - MINIMUM FOUNDATION NET CONCRETE COVER SHALL BE 75 mm.
 - SPECIFICATIONS OF THERMO PLAST ACRYLIC COLOR, BASED ON No. 3758 NATIONAL STANDARD CODE:
DENSITY : 4.1-5.1 gr/cm³
THICKNESS : 300-400 MICRON
GLOSS : DULL
SOLID MATERIAL PERCENTAGE BY WEIGHT : 75%±2
SOLID MATERIAL PERCENTAGE BY VOLUME : 48%±2
 - JOINT SEALANT MATERIALS SHALL BE WETHER-RESISTANT POLYURETHANE OR SILICONE SCH AS "AEROLASTIC 1674" OR SIMILAR AND SHALL CONFORM TO BS-4254 FOR VERTICAL JOINTS IN WALLS.
 - CONTRACTION JOINTS SHALL BE CONSIDERED IN CONCRETE SLABS EVERY 6m.
 - GEODETIC PARAMETERS FOR COORDINATES ARE AS BELOW:
HORIZONTAL COORDINATE SYSTEM: WGS84/UTM ZONE 39
ELLIPSOID : WORLD GEODETIC SYSTEM 1984 (WGS84)
MAP PROJECTION: UNIVERSAL TRANSVERSE MERCATOR (UTM)
VERTICAL DATUM: MSL

±0.00 = +31.00(R.G.L.)MSL

LEGEND AND ABBREVIATION

	REINFORCED CONCRETE	T.O.F.	TOP OF FOUNDATION
	LEAN CONCRETE	T.O.W.	TOP OF WALL
	CEMENT BLOCK WALL	T.O.C.	TOP OF CONCRETE
	GRAVEL	T.O.PIT	TOP OF PIT
	SUB GRADE	B.O.P.	BOTTOM OF PIPE
	SLOPE	R.G.L.	ROUGH GRADING LEVEL

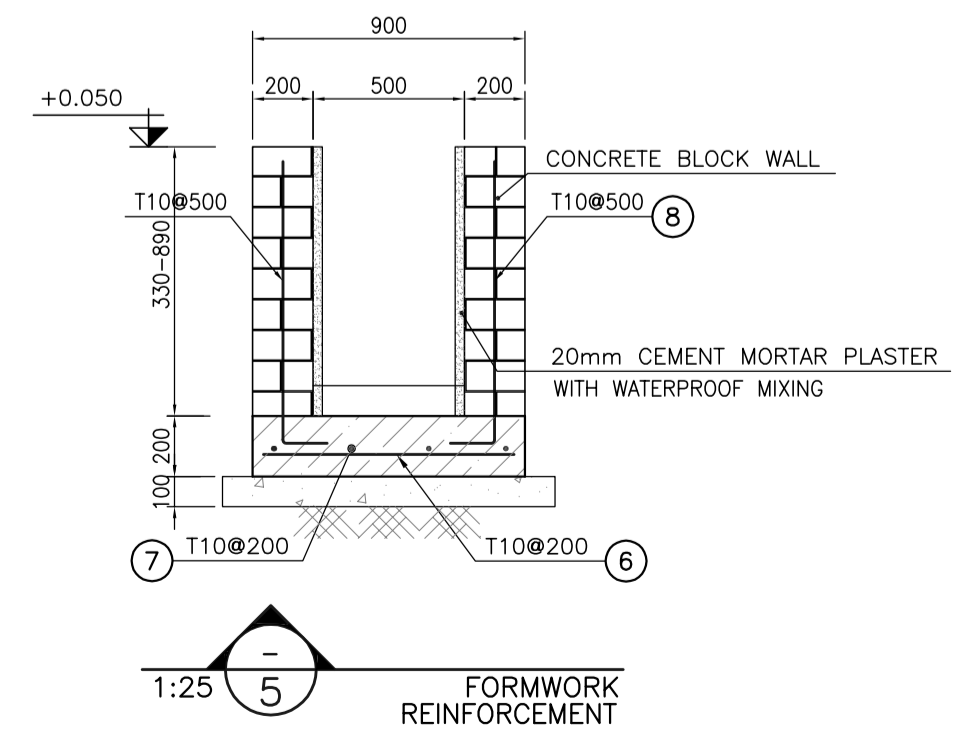
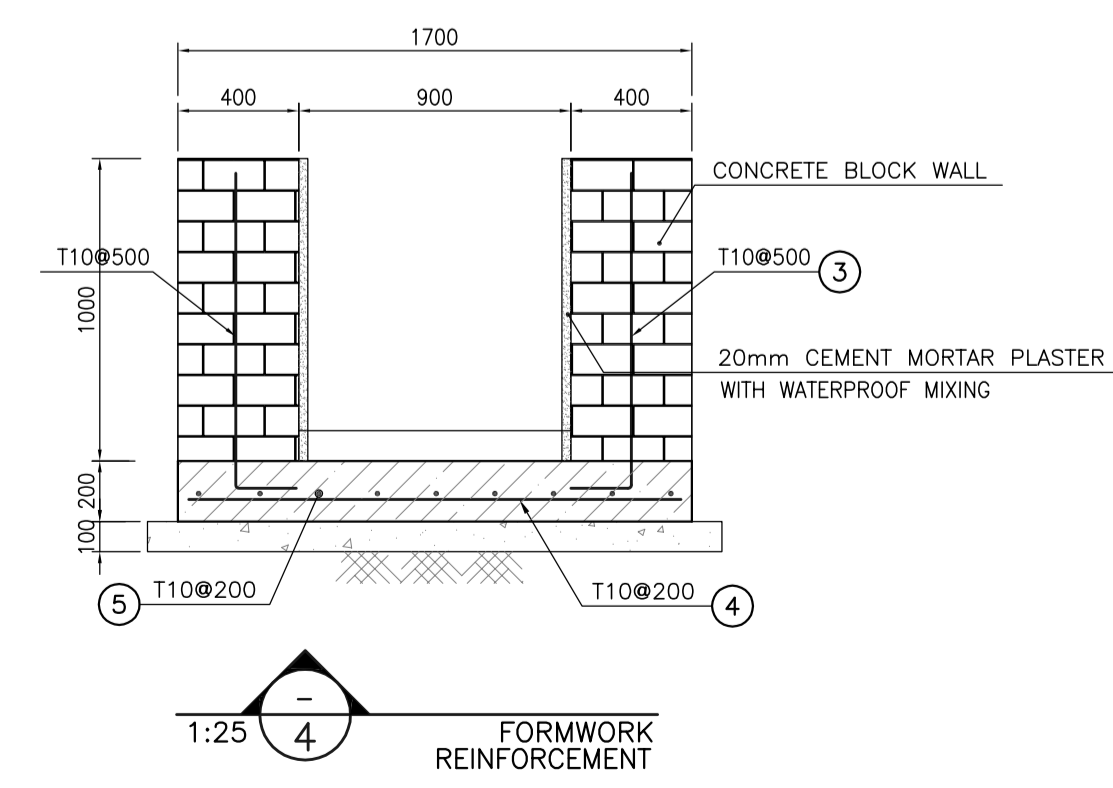
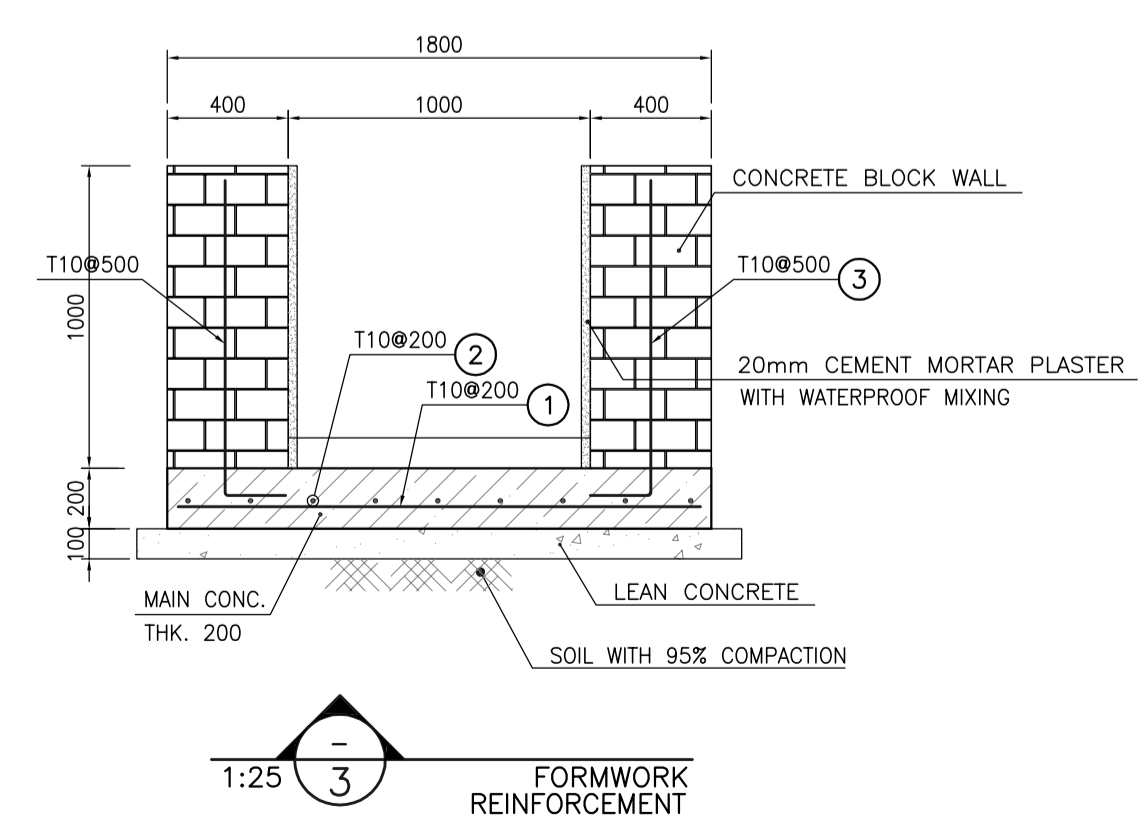
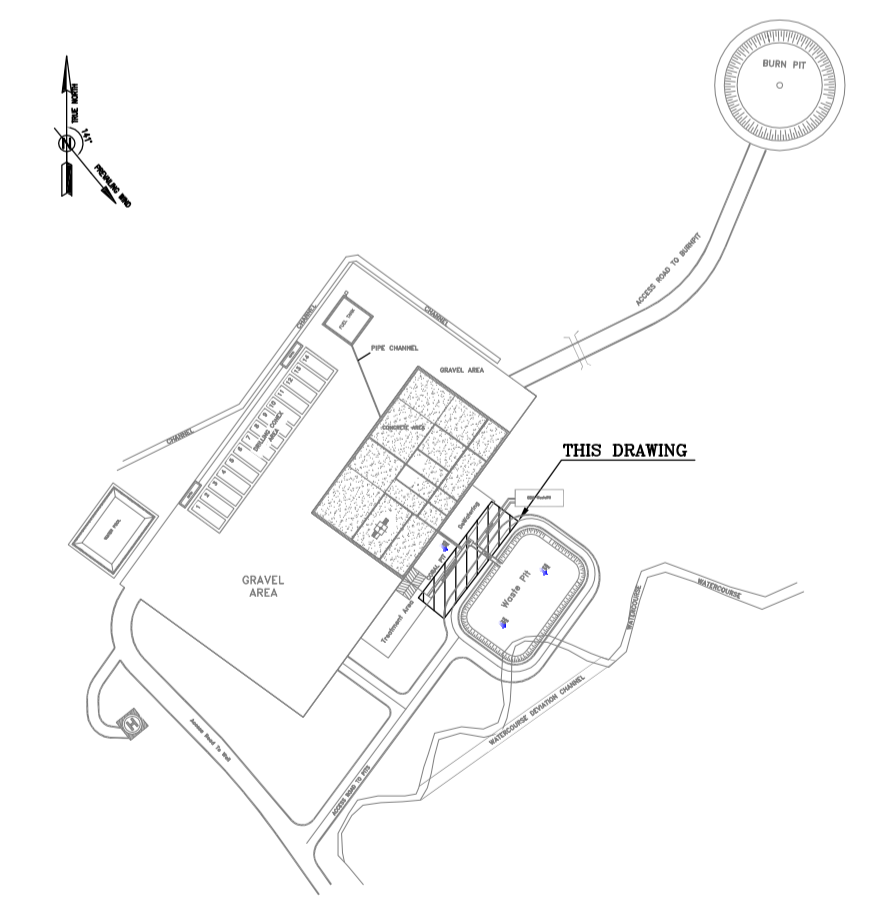
REFERENCE DRAWING	DRG. No.
SPECIFICATION FOR FENCE & GATE	BK-GNRL-PEDCO-000-CV-SP-0003
GENERAL NOTES - STEEL STRUCTURES	BK-GNRL-PEDCO-000-ST-DW-0011
GENERAL NOTES - REINFORCED CONCRETE STRUCTURES	BK-GNRL-PEDCO-000-ST-DW-0012
GENERAL CIVIL LAYOUT - W028	BK-W028-PEDCO-110-CV-PY-0001
ROUGH GRADING PLANS - W028	BK-W028-PEDCO-110-CV-DW-0001
STANDARD DRAWING FOR CULVERT & DETAILS	BK-GNRL-PEDCO-000-CV-DW-0014
STANDARD DETAILS OF MISCELLANEOUS ITEMS	BK-GNRL-PEDCO-000-CV-DW-0040



BAR BENDING SCHEDULE - SEPTIC TANK

Pos	Spec.	Shape	L/A	No.	T10
1	T10	1700	1.70	170	289.0
2	T10	L	320.0	-	320.0
3	T10	150 L 1100	1.25	224	280.0
4	T10	1600	1.60	101	161.6
5	T10	L	180.0	-	180.0
6	T10	800	0.80	55	44.0
7	T10	10600	10.6	5	53.0
8	T10	150 L 400-800	-	46	34.50
TOTAL LENGTH OR AREA (m/m²)					1329.70
UNIT WEIGTH (Kg)					0.617
WEIGTH (Kg)					820.42
GRAND TOTAL (Kg)					820

KEY PLAN



REV.	DATE	P.O.I.S	PREP.	CHK.	APP.	AUT.
D05	JUL.2022	IFA	R. BERLOUEI	M.FAKHARIAN	M.MEHRSHAD	***
D04	JUN.2022	IFA	R. BERLOUEI	M.FAKHARIAN	M.MEHRSHAD	***
D03	MAY.2022	IFA	R. BERLOUEI	M.FAKHARIAN	M.MEHRSHAD	***
D02	MAR.2022	IFA	R. BERLOUEI	M.FAKHARIAN	M.MEHRSHAD	***
D01	NOV.2021	IFA	R. BERLOUEI	M.FAKHARIAN	M.MEHRSHAD	***
D00	OCT.2021	IPC	R. BERLOUEI	M.FAKHARIAN	SH.GHALUKAR	***

اسم و کلیه نسخ این نقشه و حق اقتباس متعلق به شرکت ملی مناطق نفت خیز جنوب می باشد.
THE ORIGINAL AND ALL COPIES OF THIS DRAWING TOGETHER WITH THE COPYRIGHT THEREIN ARE THE SOLE PROPERTY OF N.I.S.O.C./ FIELDS

PROJECT NAME: BINAK OILFIELD DEVELOPMENT/SUB-SURFACE WORK PACKAGES W028 WELLHEAD FACILITIES

PROJECT NO.: 971020

EPC CONTRACTOR: HIRGAN ENERGY - DESIGN & INSPECTION COMPANIES

EPD/EPC CONTRACTOR(GC): PETROIRAN DEVELOPMENT COMPANY

DATE	SCALE	DRAWING BY	CHECKED BY	PROJECT ENG.

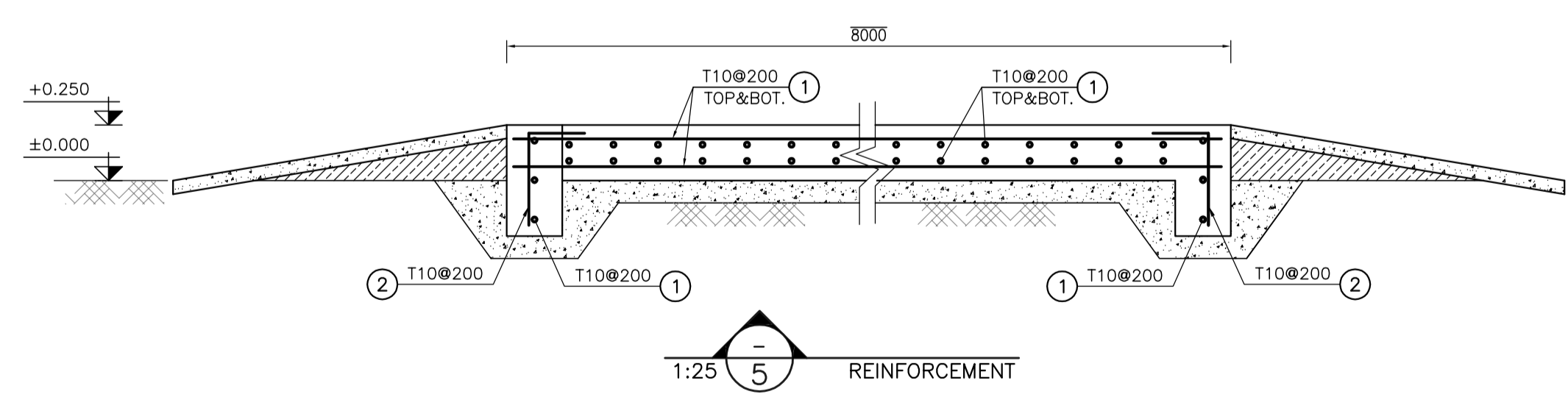
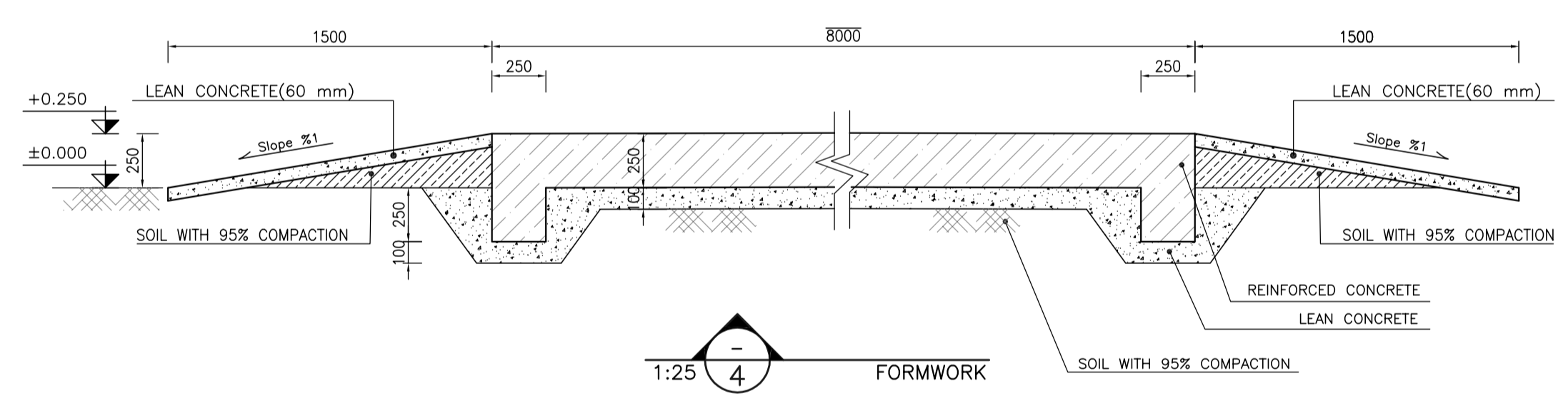
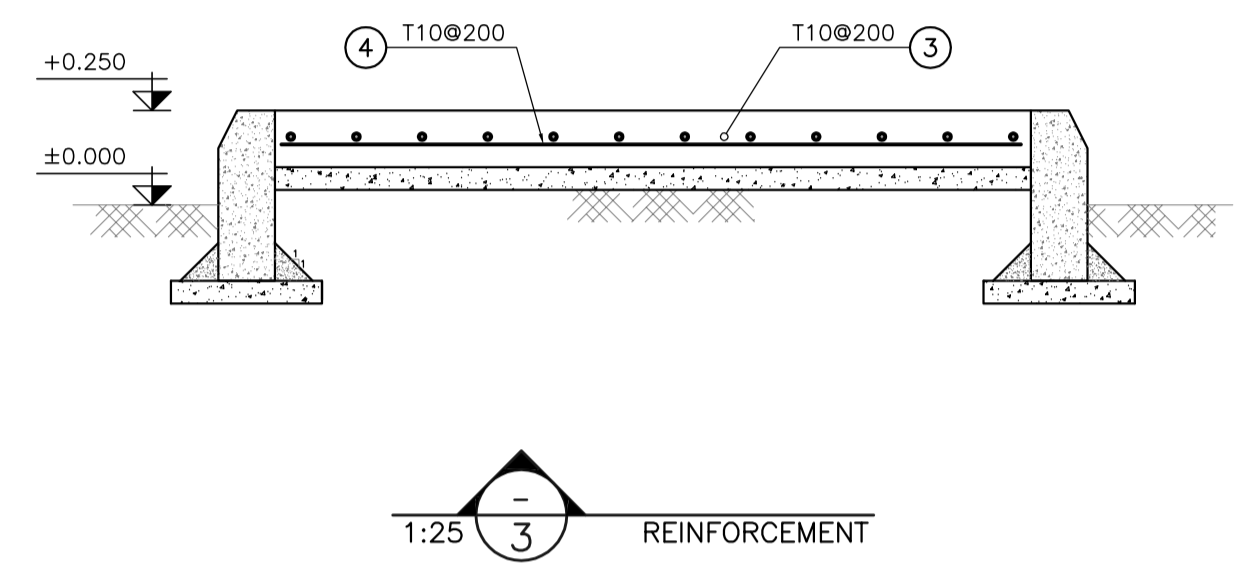
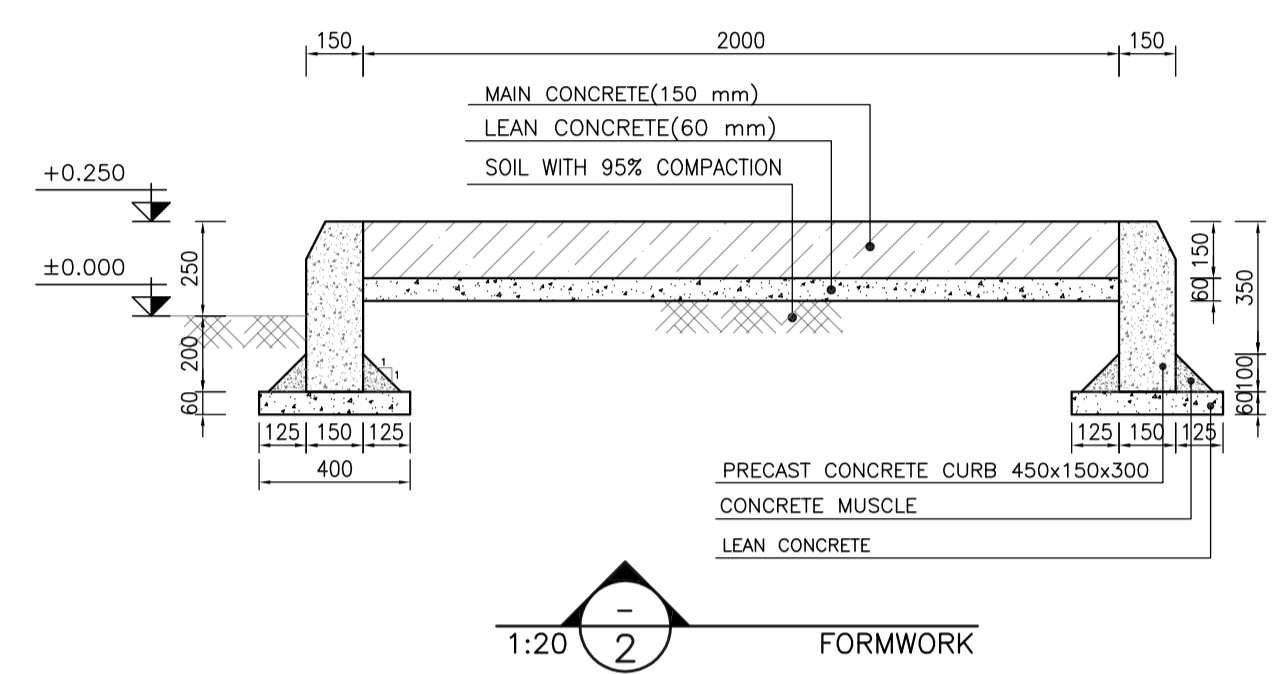
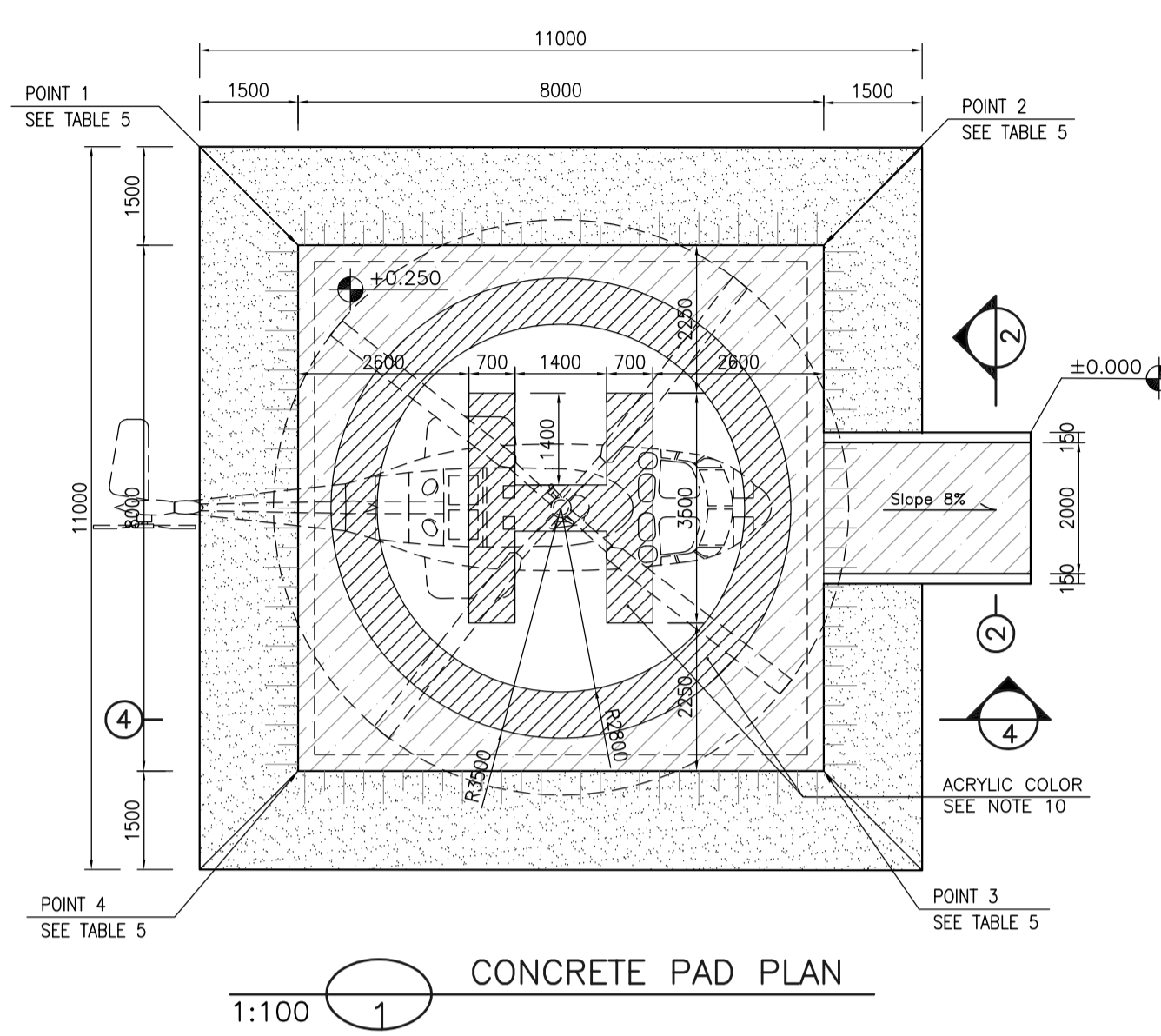
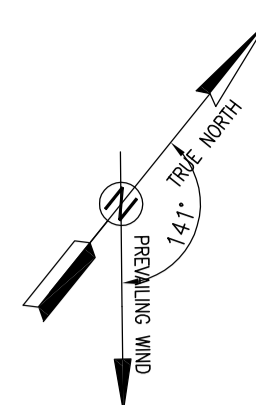
DRAWING TITLE: CIVIL AND STRUCTURAL DRAWINGS-W028S MUD PIT CHANNEL FORMWORK & REINFORCEMENT PLAN-SECTION

SCALE	SIZE	DRAWING NO.	SHEET NO.	REV.
AS SHOWN	A1	BK-W028-PEDCO-110-CV-PY-0002	08 OF 42	D05

NO CONSTRUCTION PERMITTED UNLESS DRAWING APPROVED

APPROVED FOR CONSTRUCTION				BY:	DATE:
BUDGET REF.	LOCATION	SIZE CLASS	SERIAL NO.	SHEET	REVISION
053-073-9184	F	4	S	707548	8 D05

TOTALLY REVISED



POINT 1	E=437032.963	N=3293022.272
POINT 2	E=437039.195	N=3293027.288
POINT 3	E=437044.212	N=3293021.057
POINT 4	E=437037.980	N=3293016.040

Pos	Spec.	Shape	L/A	No.	T10
1	T10	7850	7.85	164	1287.4
2	T10	150 350	0.50	156	78.0
3	T10	3000	3.00	11	33.0
4	T10	1850	1.85	15	27.75
TOTAL LENGTH OR AREA (m/m ²)					1426.15
UNIT WEIGHT (Kg)					0.617
WEIGHT (Kg)					879.93
GRAND TOTAL (Kg)					880

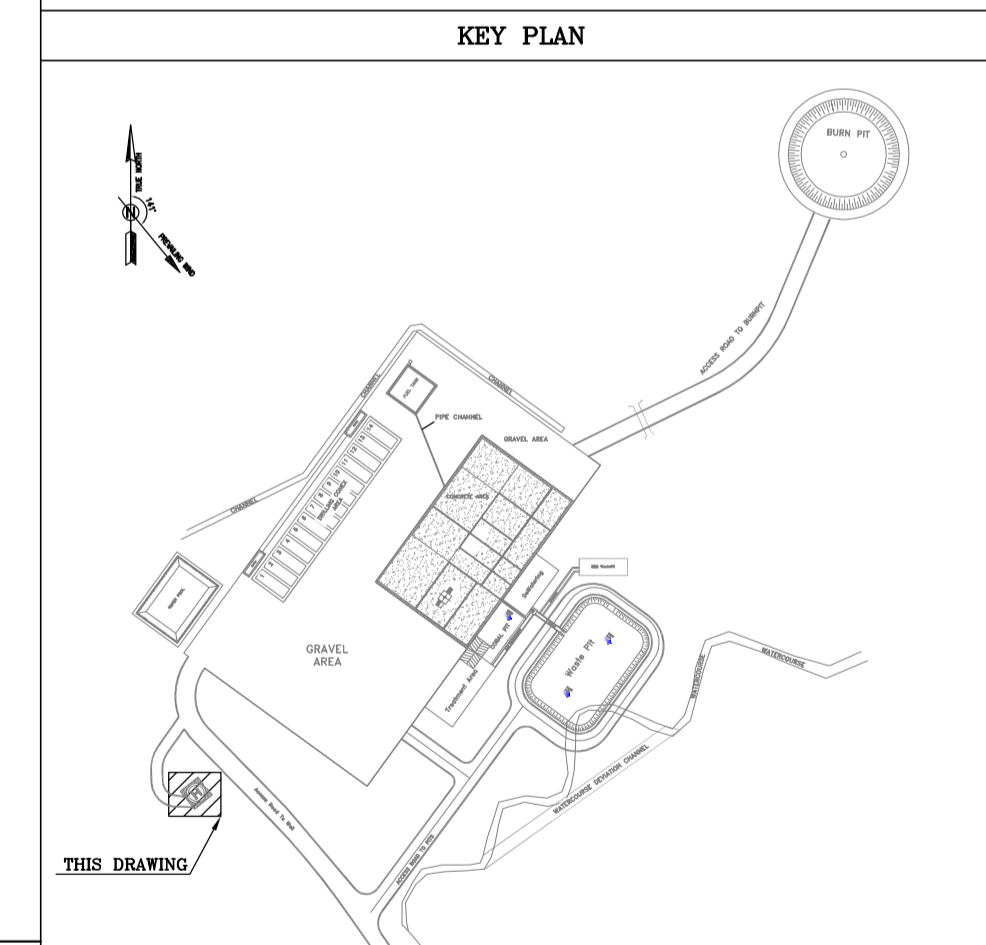
- NOTES**
- ALL COORDINATES ARE IN METER.
 - ALL DIMENSIONS ARE IN MILLIMETERS AND ELEVATIONS ARE IN METER.
 - ALL DRAWINGS SHALL BE CHECKED BY CONTRACTOR WITH RELATIVE DRAWINGS BEFORE CONSTRUCTION.
 - ACCORDING TO THE SPECIFICATION OF CONCRETE WORKS:
"BK-GNRL-PEDCO-000-ST-SP-0001", 28 DAYS CHARACTERISTIC COMPRESSIVE STRENGTH OF MAIN CONCRETE IS 25 MPa (ON CYLINDRICAL SPECIMEN)
 - ACCORDING TO THE SPECIFICATION OF CONCRETE WORKS:
"BK-GNRL-PEDCO-000-ST-SP-0001", 28 DAYS CHARACTERISTIC COMPRESSIVE STRENGTH OF LEAN CONCRETE IS 15 MPa (ON CYLINDRICAL SPECIMEN)
 - REINFORCING BARS SHALL BE S400 ACCORDING TO: ISIRI3132 AND INBC9 WITH MINIMUM TENSILE YIELD STRENGTH 400 N/mm²
 - MINIMUM FOUNDATION NET CONCRETE COVER SHALL BE 75 mm.
 - SPECIFICATIONS OF THERMO PLAST ACRYLIC COLOR, BASED ON No.3758 NATIONAL STANDARD CODE:
DENSITY : 4.1-5.1 gr/cm³
THICKNESS : 300-400 MICRON
GLOSS : DULL
SOLID MATERIAL PERCENTAGE BY WEIGHT : 75%±2
SOLID MATERIAL PERCENTAGE BY VOLUME : 48%±2
 - JOINT SEALANT MATERIALS SHALL BE WETHER-RESISTANT POLYURETHANE OR SILICONE SCH AS "AEROLASTIC 1674" OR SIMILAR AND SHALL CONFORM TO BS-4254 FOR VERTICAL JOINTS IN WALLS.
 - CONTRACTION JOINTS SHALL BE CONSIDERED IN CONCRETE SLABS EVERY 6m.
 - GEODETIC PARAMETERS FOR COORDINATES ARE AS BELOW:
HORIZONTAL COORDINATE SYSTEM: WGS84/UTM ZONE 39
ELLIPSOID : WORLD GEODETIC SYSTEM 1984 (WGS84)
MAP PROJECTION: UNIVERSAL TRANSVERSE MERCATOR (UTM)
VERTICAL DATUM: MSL

LEGEND AND ABBREVIATION

	REINFORCED CONCRETE	T.O.F.	TOP OF FOUNDATION
	LEAN CONCRETE	T.O.W.	TOP OF WALL
	CEMENT BLOCK WALL	T.O.C.	TOP OF CONCRETE
	GRAVEL	T.O.PIT	TOP OF PIT
	SUB GRADE	B.O.P.	BOTTOM OF PIPE
	SLOPE	R.G.L.	ROUGH GRADING LEVEL

REFERENCE DRAWING

REFERENCE DRAWING	DRG. No.
SPECIFICATION FOR FENCE & GATE	BK-GNRL-PEDCO-000-CV-SP-0003
GENERAL NOTES - STEEL STRUCTURES	BK-GNRL-PEDCO-000-ST-DW-0011
GENERAL NOTES - REINFORCED CONCRETE STRUCTURES	BK-GNRL-PEDCO-000-ST-DW-0012
GENERAL CIVIL LAYOUT - W028	BK-W028-PEDCO-110-CV-PY-0001
ROUGH GRADING PLANS - W028	BK-W028-PEDCO-110-CV-DW-0001
STANDARD DRAWING FOR CULVERT & DETAILS	BK-GNRL-PEDCO-000-CV-DW-0014
STANDARD DETAILS OF MISCELLANEOUS ITEMS	BK-GNRL-PEDCO-000-CV-DW-0040



REV.	DATE	P.O.I.S	PREP.	CHK.	APP.	AUT.
D05	JUL.2022	IFA	R. BERLOUEI	M.FAKHARIAN	M.MEHRSHAD	***
D04	JUN.2022	IFA	R. BERLOUEI	M.FAKHARIAN	M.MEHRSHAD	**
D03	MAY.2022	IFA	R. BERLOUEI	M.FAKHARIAN	M.MEHRSHAD	**
D02	MAR.2022	IFA	R. BERLOUEI	M.FAKHARIAN	M.MEHRSHAD	**
D01	NOV.2021	IFA	R. BERLOUEI	M.FAKHARIAN	M.MEHRSHAD	**
D00	OCT.2021	IPC	R. BERLOUEI	M.FAKHARIAN	SH.GHALIKAR	**

اسم و کلیه نسخ این نقشه و حق اقتباس متعلق به شرکت ملی مناطق نفت خیز جنوب میباشد.
THE ORIGINAL AND ALL COPIES OF THIS DRAWING TOGETHER WITH THE COPYRIGHT THEREIN ARE THE SOLE PROPERTY OF N.I.S.O.C./ FIELDS

PROJECT NAME: BINAK OILFIELD DEVELOPMENT/SUB-SURFACE WORK PACKAGES W028 WELLHEAD FACILITIES

PROJECT NO.: 971020

EPC CONTRACTOR: HIRGAN ENERGY - DESIGN & INSPECTION COMPANIES

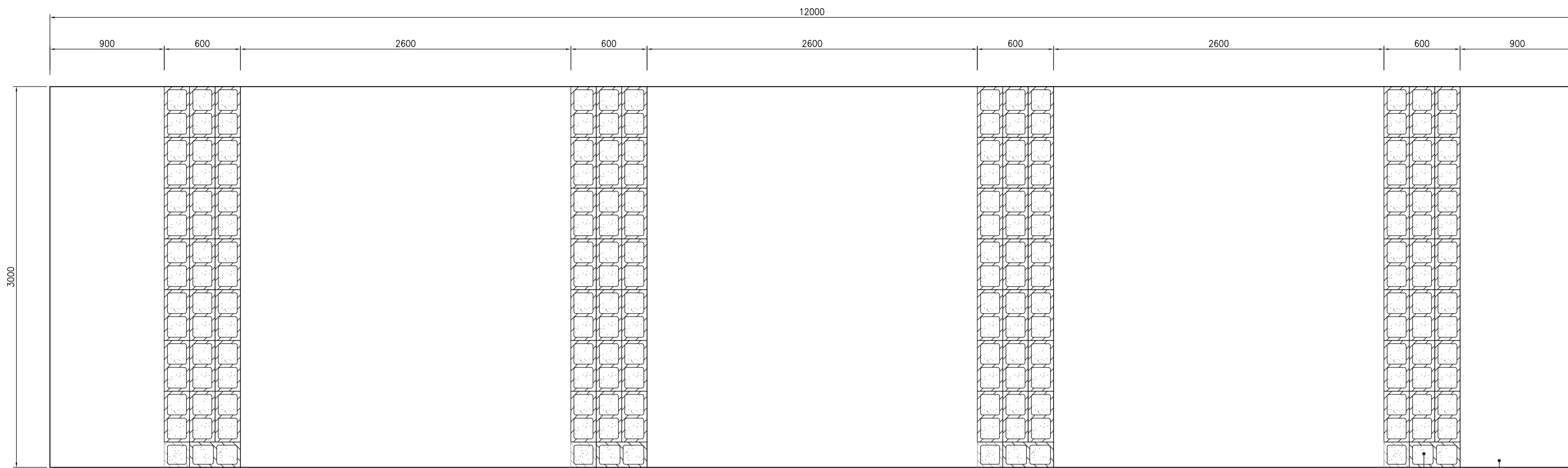
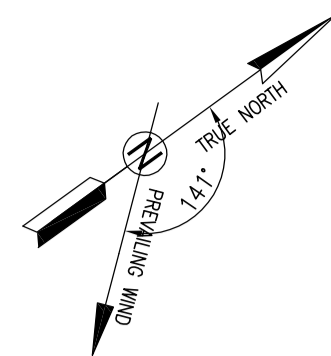
EPD/EPC CONTRACTOR(GC): PETROIRAN DEVELOPMENT COMPANY

DRAWING TITLE: CIVIL AND STRUCTURAL DRAWINGS-W028S HELIPAD FORMWORK & REINFORCEMENT PLAN-SECTION

SCALE	SIZE	DRAWING NO.	SHEET NO.	REV.	BUDGET REF.	LOCATION	SIZE CLASS	SERIAL NO.	SHEET	REVISION
AS SHOWN	A1	BK-W028-PEDCO-110-CV-PY-0002	09 OF 42	D05	053-073-9184	F	4	S	707548	9 D05

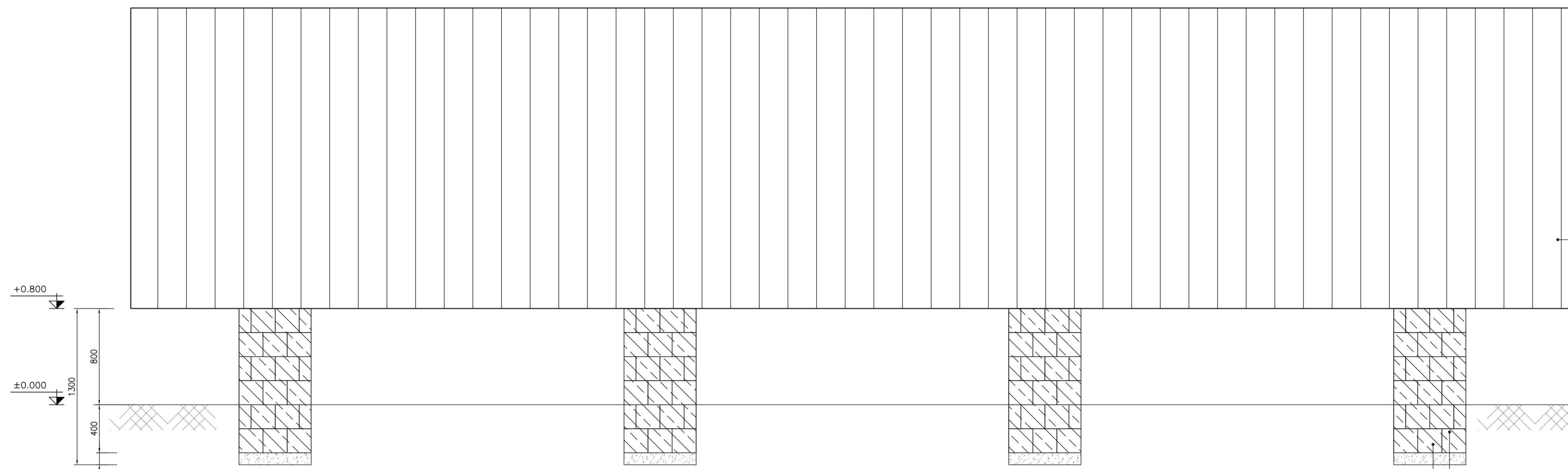
NO CONSTRUCTION PERMITTED UNLESS DRAWING APPROVED

APPROVED FOR CONSTRUCTION	BY:	DATE:



1:25 1 CONEX FOUNDATION PLAN

CONEX
HOLLOW CEMENT BLOCK WITH CEMENT SAND MORTAR



1:25 2 FORMWORK

CONEX
HOLLOW CEMENT BLOCK WITH CEMENT SAND MORTAR
LEAN CONCRETE

- NOTES**
- ALL COORDINATES ARE IN METER.
 - ALL DIMENSIONS ARE IN MILLIMETERS AND ELEVATIONS ARE IN METER.
 - ALL DRAWINGS SHALL BE CHECKED BY CONTRACTOR WITH RELATIVE DRAWINGS BEFORE CONSTRUCTION.
 - ACCORDING TO THE SPECIFICATION OF CONCRETE WORKS: "BK-GNRL-PEDCO-000-ST-SP-0001", 28 DAYS CHARACTERISTIC COMPRESSIVE STRENGTH OF MAIN CONCRETE IS 25 MPa (ON CYLINDRICAL SPECIMEN)
 - ACCORDING TO THE SPECIFICATION OF CONCRETE WORKS: "BK-GNRL-PEDCO-000-ST-SP-0001", 28 DAYS CHARACTERISTIC COMPRESSIVE STRENGTH OF LEAN CONCRETE IS 15 MPa (ON CYLINDRICAL SPECIMEN)
 - REINFORCING BARS SHALL BE S400 ACCORDING TO ISIRI3132 AND INBC9 WITH MINIMUM TENSILE YIELD STRENGTH 400 N/mm²
 - MINIMUM FOUNDATION NET CONCRETE COVER SHALL BE 75 mm.
 - SPECIFICATIONS OF THERMO PLAST ACRYLIC COLOR, BASED ON No.3758 NATIONAL STANDARD CODE:
DENSITY : 4.1-5.1 gr/cm³
THICKNESS : 300-400 MICRON
GLOSS : DULL
SOLID MATERIAL PERCENTAGE BY WEIGHT : 75%±2
SOLID MATERIAL PERCENTAGE BY VOLUME : 48%±2
 - JOINT SEALANT MATERIALS SHALL BE WETHER-RESISTANT POLYURETHANE OR SILICONE SCH AS "AEROLASTIC 1674" OR SIMILAR AND SHALL CONFORM TO BS-4254 FOR VERTICAL JOINTS IN WALLS.
 - CONTRACTION JOINTS SHALL BE CONSIDERED IN CONCRETE SLABS EVERY 6m.
 - GEODETIC PARAMETERS FOR COORDINATES ARE AS BELOW:
HORIZONTAL COORDINATE SYSTEM: WGS84/UTM ZONE 39
ELLIPSOID : WORLD GEODETIC SYSTEM 1984 (WGS84)
MAP PROJECTION: UNIVERSAL TRANSVERSE MERCATOR (UTM)
VERTICAL DATUM: MSL

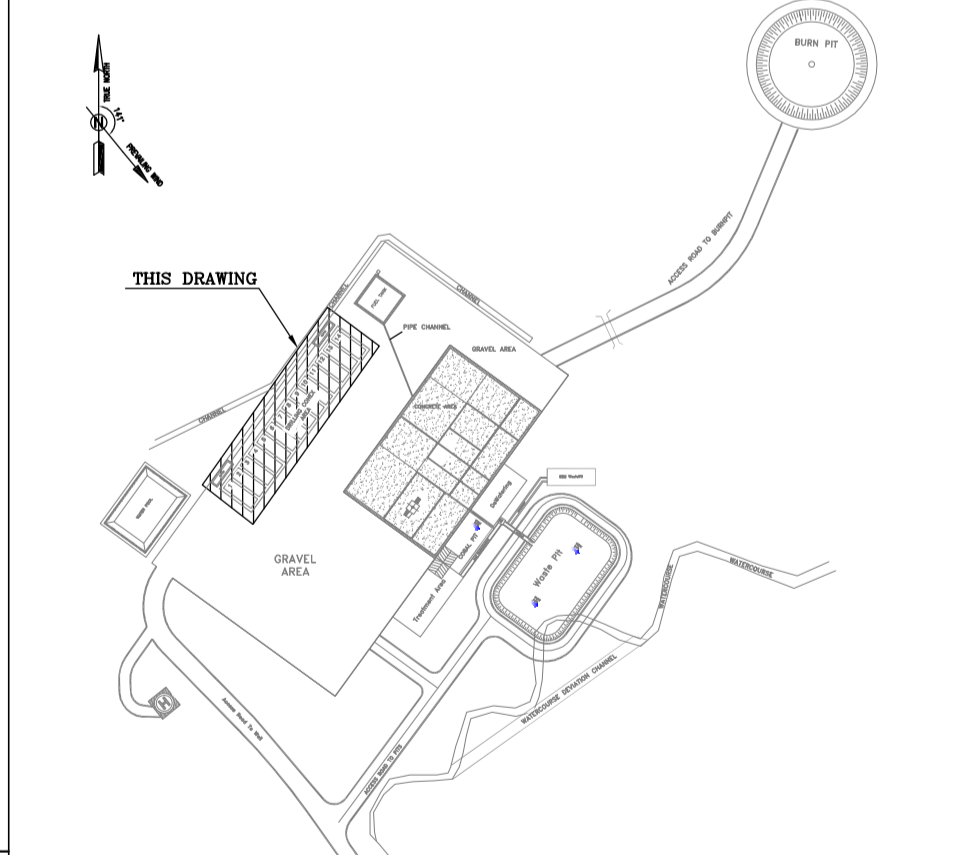
±0.00 = +31.00(R.G.L.)MSL

LEGEND AND ABBREVIATION

	REINFORCED CONCRETE	T.O.F.	TOP OF FOUNDATION
	LEAN CONCRETE	T.O.W.	TOP OF WALL
	CEMENT BLOCK WALL	T.O.C.	TOP OF CONCRETE
	GRAVEL	T.O.PIT	TOP OF PIT
	SUB GRADE	B.O.P.	BOTTOM OF PIPE
	SLOPE	R.G.L.	ROUGH GRADING LEVEL

REFERENCE DRAWING	DRG. No.
SPECIFICATION FOR FENCE & GATE	BK-GNRL-PEDCO-000-CV-SP-0003
GENERAL NOTES - STEEL STRUCTURES	BK-GNRL-PEDCO-000-ST-DW-0011
GENERAL NOTES - REINFORCED CONCRETE STRUCTURES	BK-GNRL-PEDCO-000-ST-DW-0012
GENERAL CIVIL LAYOUT - W028	BK-W028-PEDCO-110-CV-PY-0001
ROUGH GRADING PLANS - W028	BK-W028-PEDCO-110-CV-DW-0001
STANDARD DRAWING FOR CULVERT & DETAILS	BK-GNRL-PEDCO-000-CV-DW-0014
STANDARD DETAILS OF MISCELLANEOUS ITEMS	BK-GNRL-PEDCO-000-CV-DW-0040

KEY PLAN



REV.	DATE	P.O.I.S	PREP.	CHK.	APP.	AUT.
D05	JUL.2022	IFA	R. BERLOUEI	M.FAKHARIAN	M.MEHRSHAD	** **
D04	JUN.2022	IFA	R. BERLOUEI	M.FAKHARIAN	M.MEHRSHAD	** **
D03	MAY.2022	IFA	R. BERLOUEI	M.FAKHARIAN	M.MEHRSHAD	** **
D02	MAR.2022	IFA	R. BERLOUEI	M.FAKHARIAN	M.MEHRSHAD	** **
D01	NOV.2021	IFA	R. BERLOUEI	M.FAKHARIAN	M.MEHRSHAD	** **
D00	OCT.2021	IPC	R. BERLOUEI	M.FAKHARIAN	SH.GHALIKAR	** **

اصل و کلیه نسخ این نقشه و حق اقتباس متعلق به شرکت ملی مناطق نفت خیز جنوب میباشد.
THE ORIGINAL AND ALL COPIES OF THIS DRAWING TOGETHER WITH THE COPYRIGHT THEREIN ARE THE SOLE PROPERTY OF N.I.S.O.C./ FIELDS

PROJECT NAME: BINAK OILFIELD DEVELOPMENT/SUB-SURFACE WORK PACKAGES W028 WELLHEAD FACILITIES		PROJECT NO.: 971020	
EPC CONTRACTOR: HIRGAN ENERGY - DESIGN & INSPECTION COMPANIES		EPD/EPC CONTRACTOR(GC): PETROIRAN DEVELOPMENT COMPANY	
DRAWING TITLE: CIVIL AND STRUCTURAL DRAWINGS-W028S CONEX FOUNDATION PLAN AND SECTION			
NO CONSTRUCTION PERMITTED UNLESS DRAWING APPROVED			
APPROVED FOR CONSTRUCTION		BY: DATE:	
SCALE	SIZE	DRAWING NO.	SHEET NO.
AS SHOWN	A1	BK-W028-PEDCO-110-CV-PY-0002	10 OF 42
REV.	BUDGET REF.	LOCATION	SIZE CLASS
D05	053-073-9184	F	4 S
REV.	SHEET	REVISION	
D05	10	D05	

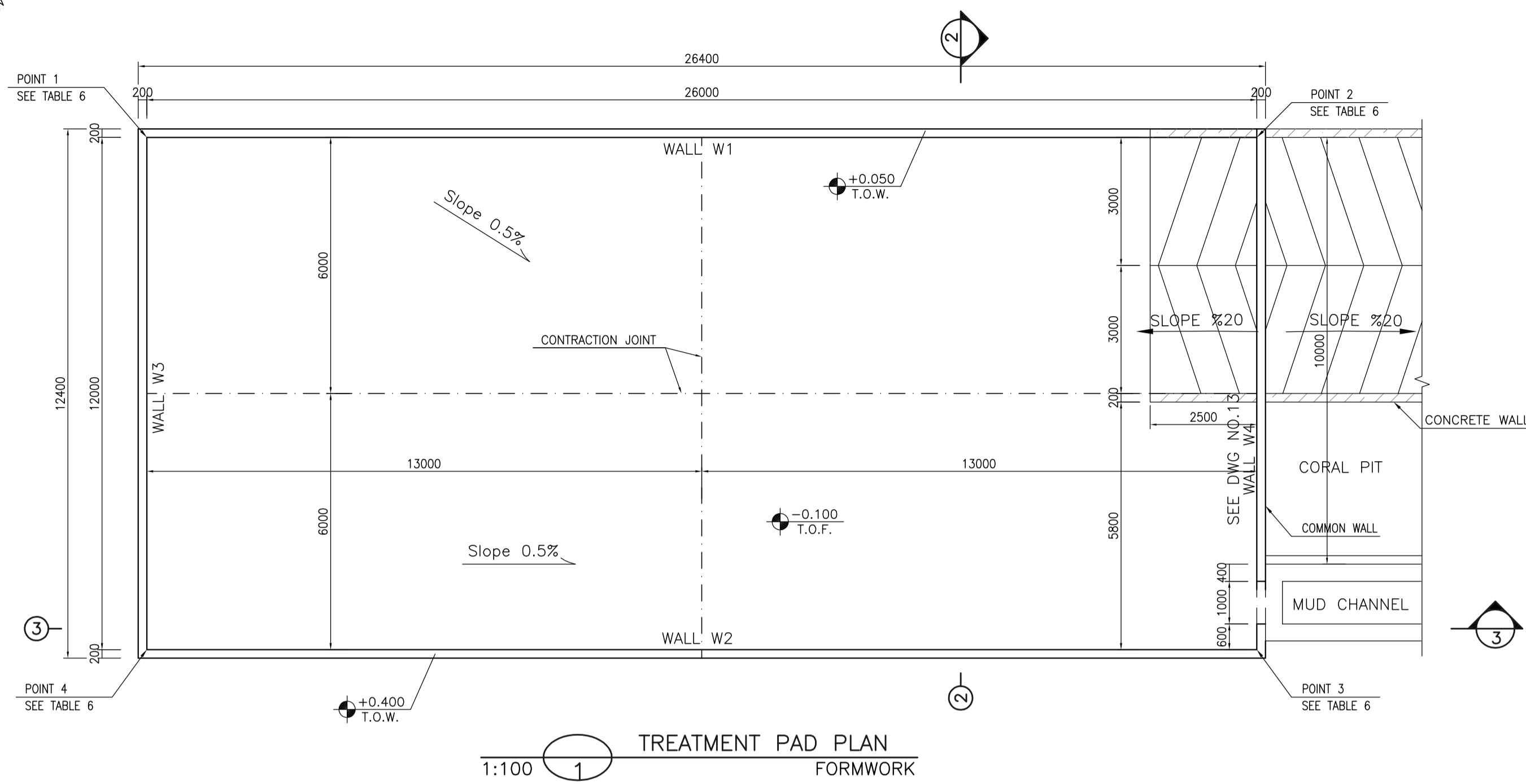
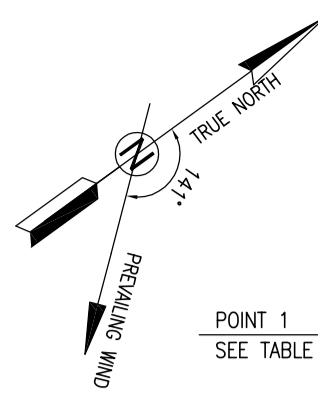
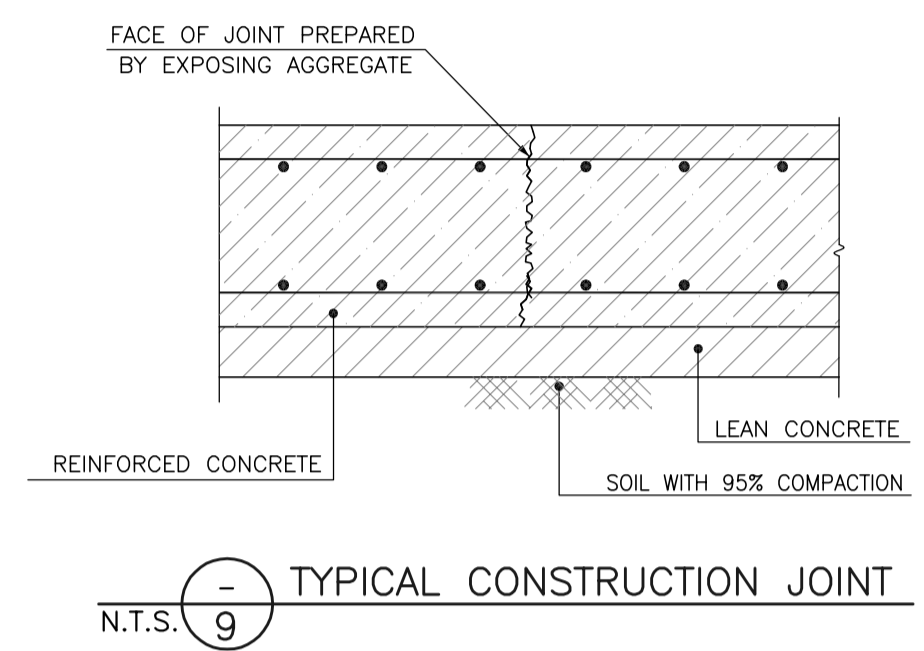
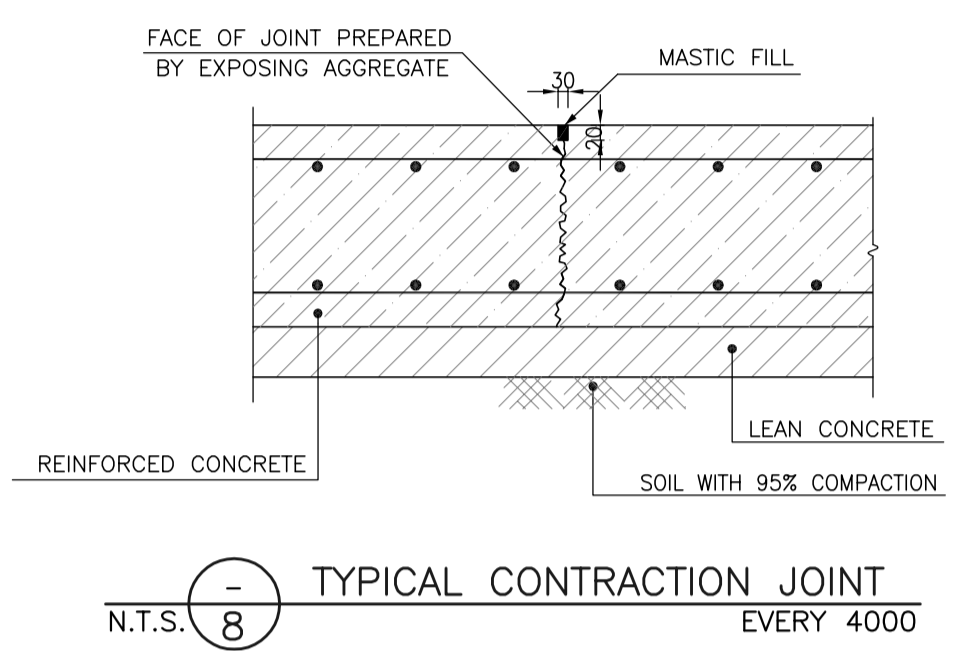


TABLE 6 (CORNERS COORDINATES)		
POINT 1	E=437119.433	N=3293051.402
POINT 2	E=437134.712	N=3293072.438
POINT 3	E=437144.421	N=3293065.386
POINT 4	E=437129.142	N=3293044.350



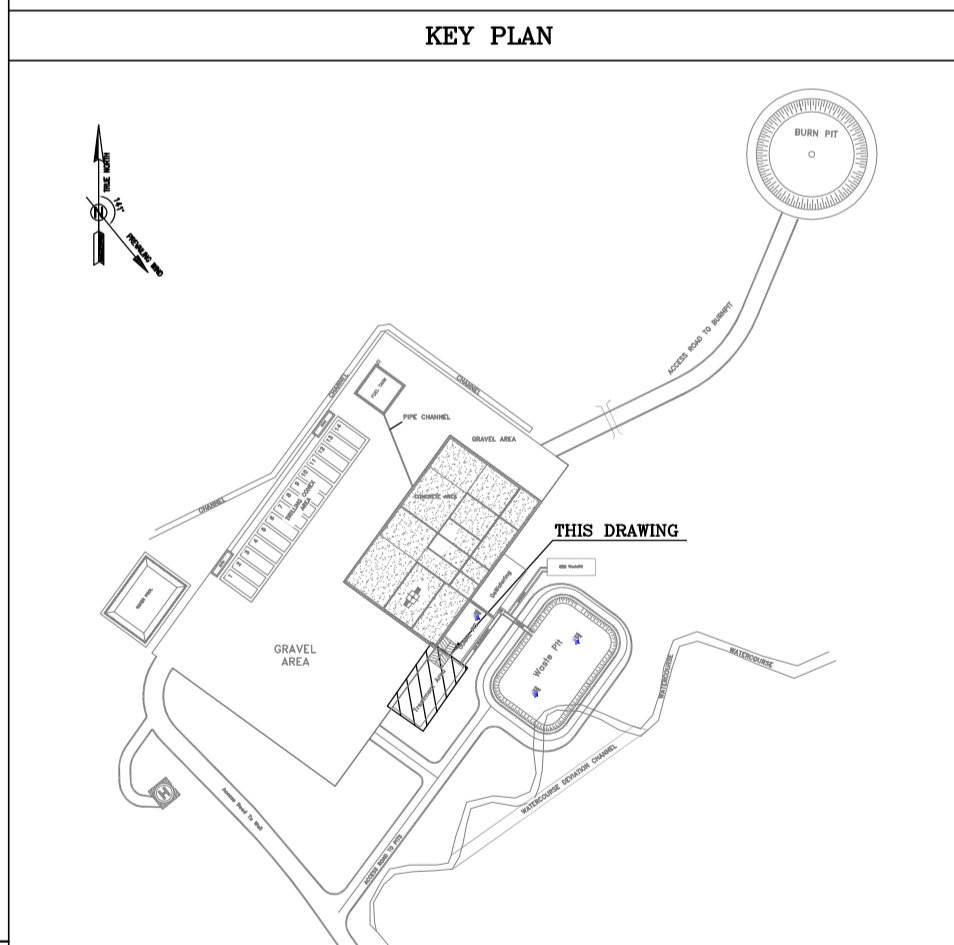
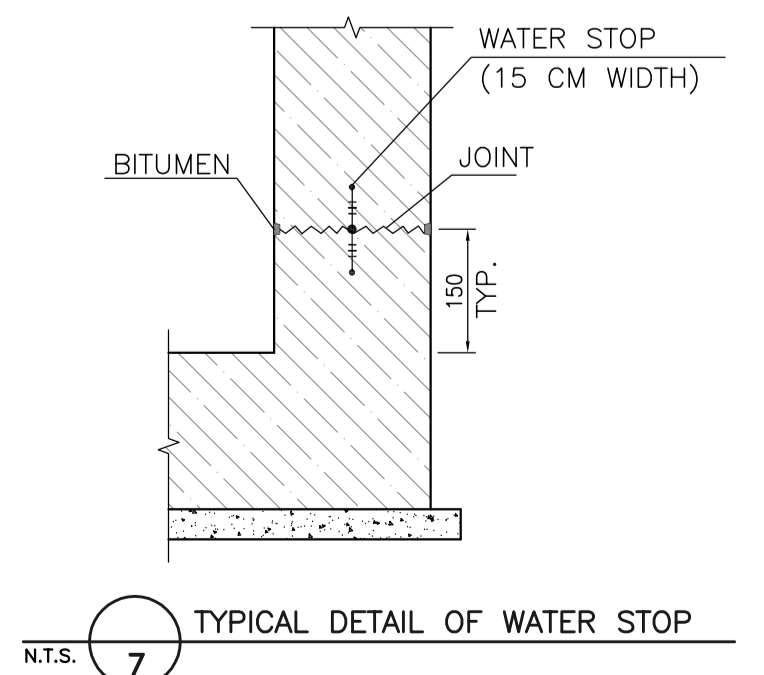
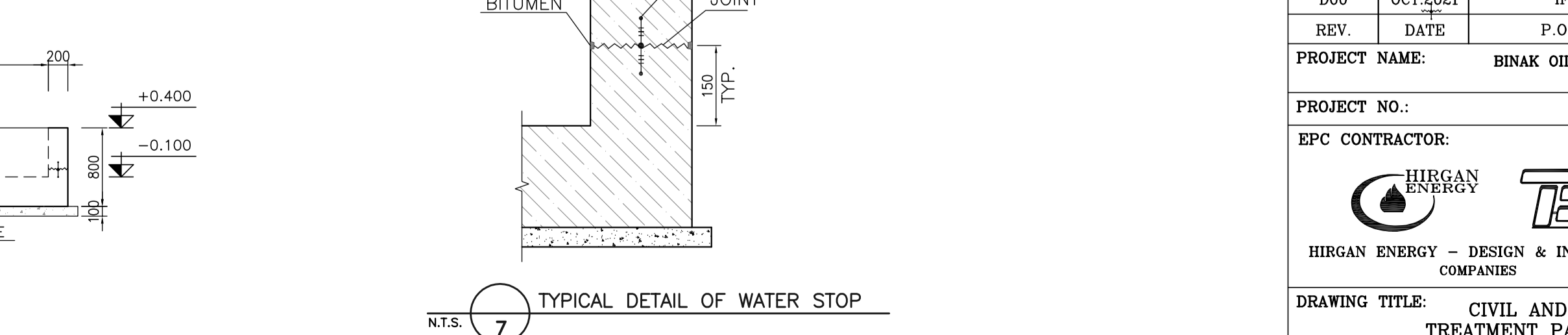
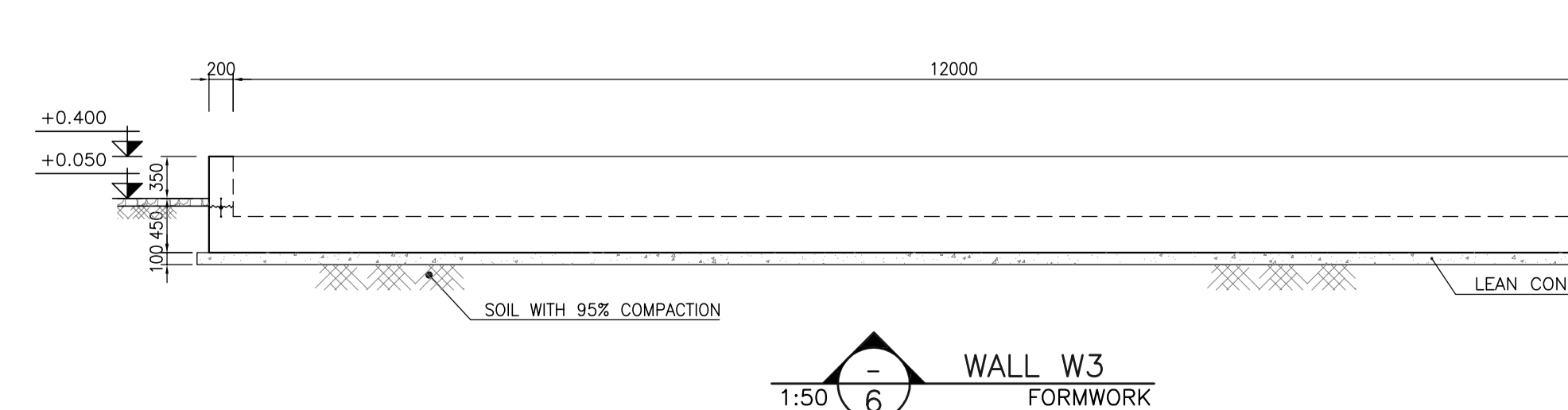
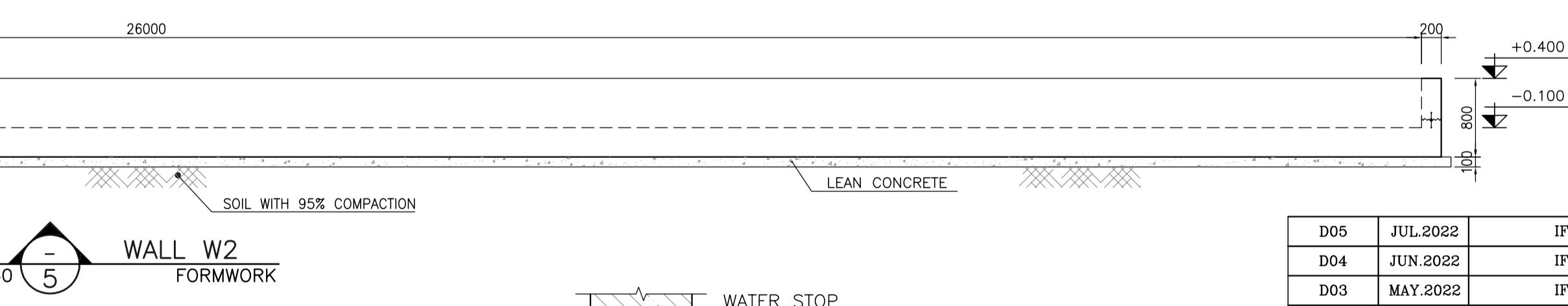
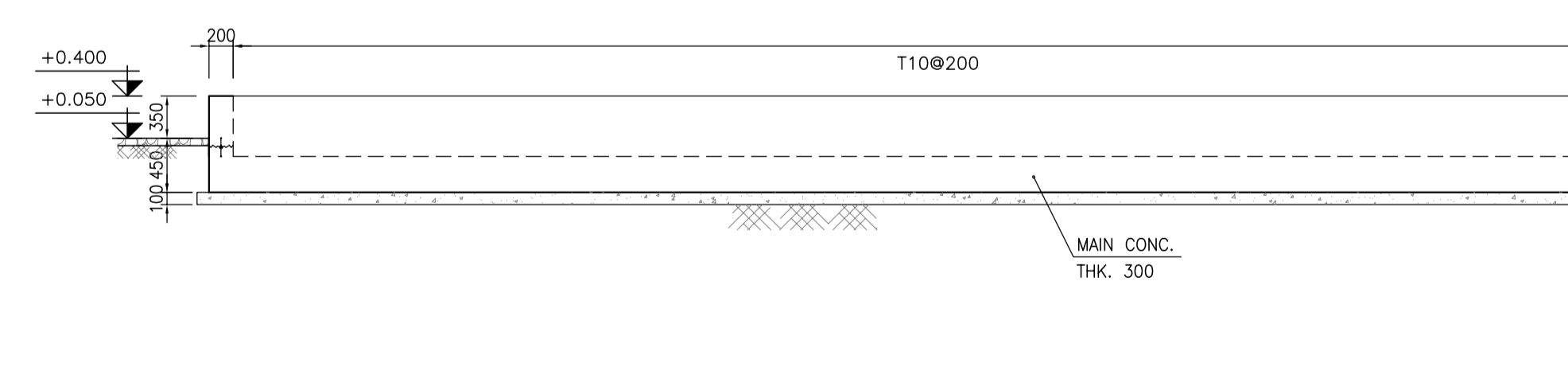
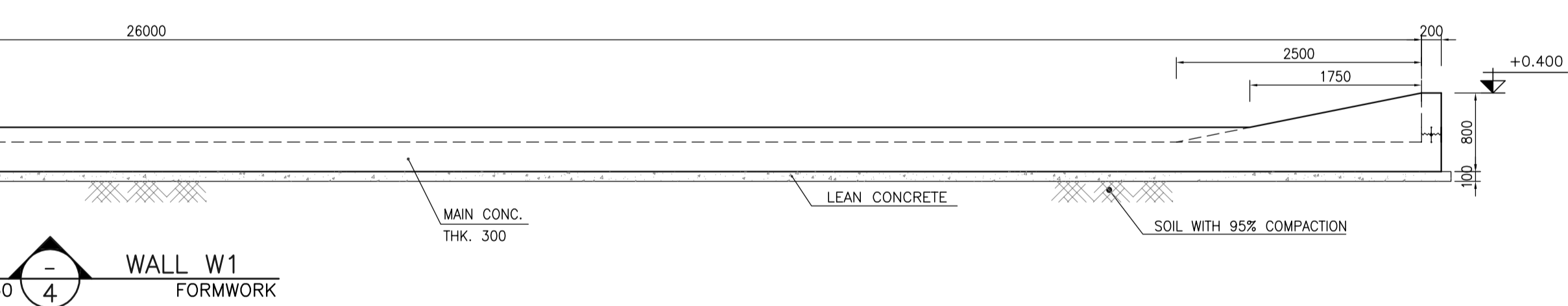
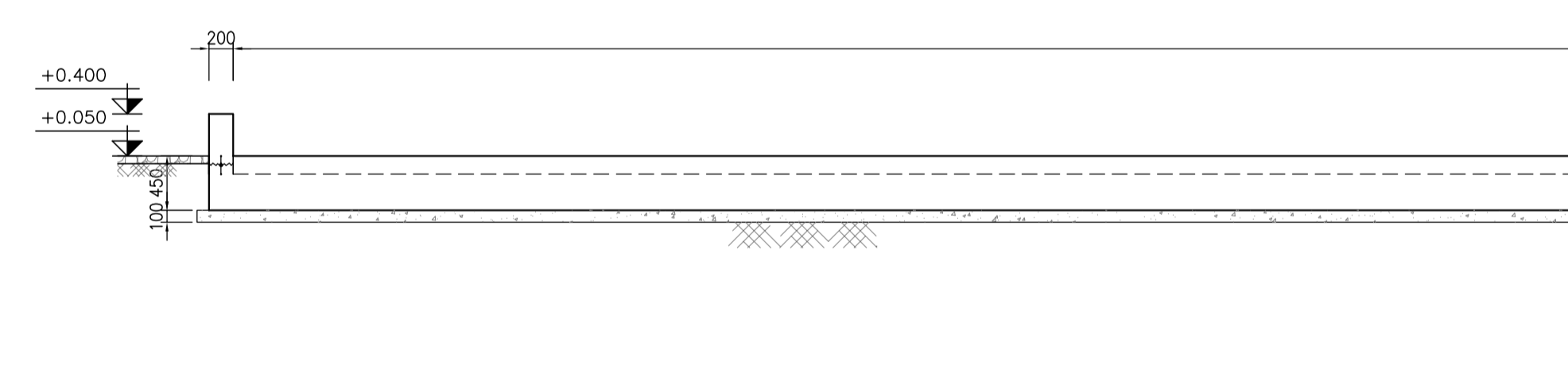
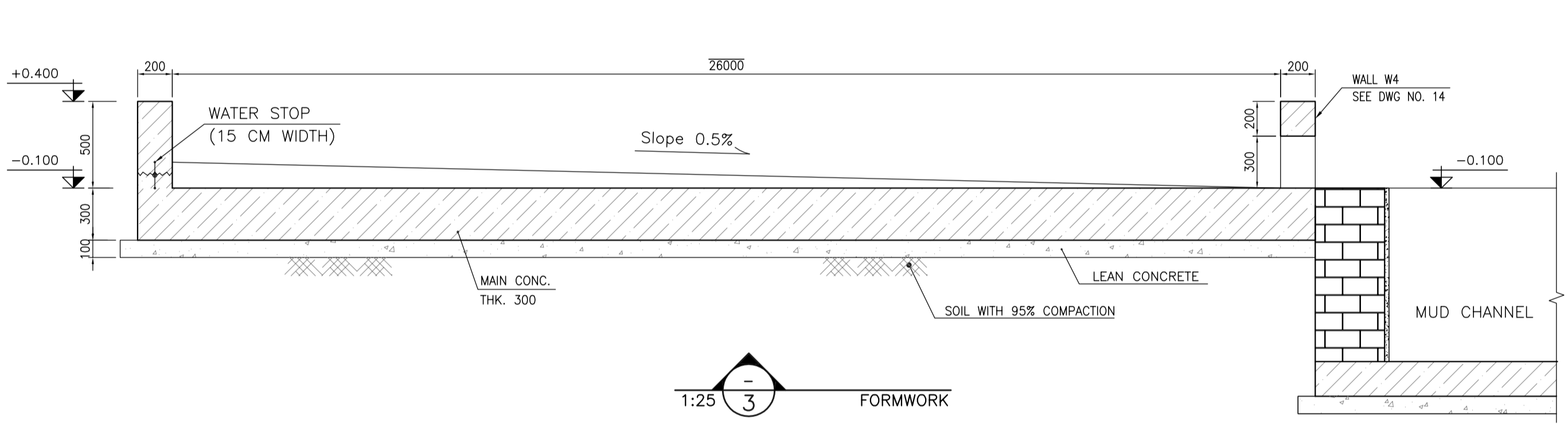
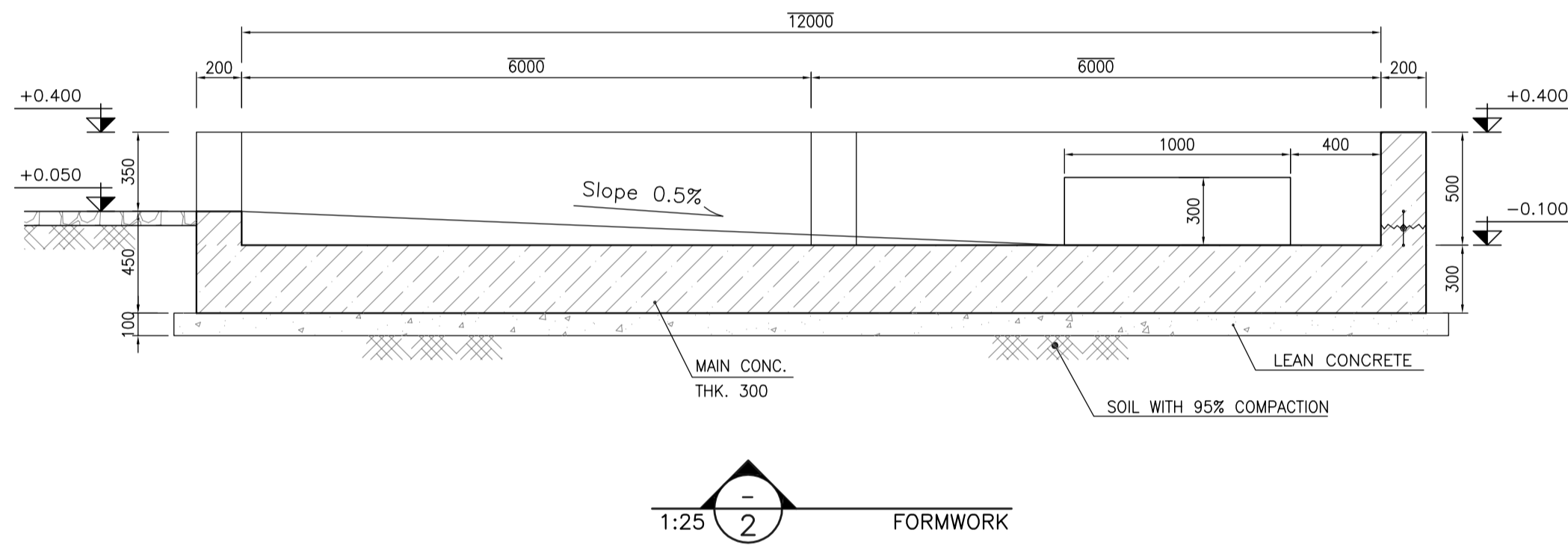
- NOTES**
- ALL COORDINATES ARE IN METER.
 - ALL DIMENSIONS ARE IN MILLIMETERS AND ELEVATIONS ARE IN METER.
 - ALL DRAWINGS SHALL BE CHECKED BY CONTRACTOR WITH RELATIVE DRAWINGS BEFORE CONSTRUCTION.
 - ACCORDING TO THE SPECIFICATION OF CONCRETE WORKS: "BK-GNRL-PEDCO-000-ST-SP-0001", 28 DAYS CHARACTERISTIC COMPRESSIVE STRENGTH OF MAIN CONCRETE IS 25 MPa (ON CYLINDRICAL SPECIMEN)
 - ACCORDING TO THE SPECIFICATION OF CONCRETE WORKS: "BK-GNRL-PEDCO-000-ST-SP-0001", 28 DAYS CHARACTERISTIC COMPRESSIVE STRENGTH OF LEAN CONCRETE IS 15 MPa (ON CYLINDRICAL SPECIMEN)
 - REINFORCING BARS SHALL BE S400 ACCORDING TO ISIRI3132 AND INBC9 WITH MINIMUM TENSILE YIELD STRENGTH 400 N/mm²
 - MINIMUM FOUNDATION NET CONCRETE COVER SHALL BE 75 mm.
 - SPECIFICATIONS OF THERMO PLAST ACRYLIC COLOR, BASED ON No.3758 NATIONAL STANDARD CODE: DENSITY : 4.1-5.1 gr/cm³ THICKNESS : 300-400 MICRON GLOSS : DULL SOLID MATERIAL PERCENTAGE BY WEIGHT : 75%±2 SOLID MATERIAL PERCENTAGE BY VOLUME : 48%±2
 - JOINT SEALANT MATERIALS SHALL BE WETHER-RESISTANT POLYURETHANE OR SILICONE SCH AS "AEROLASTIC 1674" OR SIMILAR AND SHALL CONFORM TO BS-4254 FOR VERTICAL JOINTS IN WALLS.
 - CONTRACTION JOINTS SHALL BE CONSIDERED IN CONCRETE SLABS EVERY 6m.
 - GEODETIC PARAMETERS FOR COORDINATES ARE AS BELOW:
HORIZONTAL COORDINATE SYSTEM: WGS84/UTM ZONE 39
ELLIPSOID : WORLD GEODETIC SYSTEM 1984 (WGS84)
MAP PROJECTION: UNIVERSAL TRANSVERSE MERCATOR (UTM)
VERTICAL DATUM: MSL

LEGEND AND ABBREVIATION

	REINFORCED CONCRETE	T.O.F.	TOP OF FOUNDATION
	LEAN CONCRETE	T.O.W.	TOP OF WALL
	CEMENT BLOCK WALL	T.O.C.	TOP OF CONCRETE
	GRAVEL	T.O.PIT	TOP OF PIT
	SUB GRADE	B.O.P.	BOTTOM OF PIPE
	SLOPE	R.G.L.	ROUGH GRADING LEVEL

REFERENCE DRAWING

REFERENCE DRAWING	DRG. No.
SPECIFICATION FOR FENCE & GATE	BK-GNRL-PEDCO-000-CV-SP-0003
GENERAL NOTES - STEEL STRUCTURES	BK-GNRL-PEDCO-000-ST-DW-0011
GENERAL NOTES - REINFORCED CONCRETE STRUCTURES	BK-GNRL-PEDCO-000-ST-DW-0012
GENERAL CIVIL LAYOUT - W028	BK-W028-PEDCO-110-CV-PY-0001
ROUGH GRADING PLANS - W028	BK-W028-PEDCO-110-CV-DW-0001
STANDARD DRAWING FOR CULVERT & DETAILS	BK-GNRL-PEDCO-000-CV-DW-0014
STANDARD DETAILS OF MISCELLANEOUS ITEMS	BK-GNRL-PEDCO-000-CV-DW-0040



REV.	DATE	DESCRIPTION	BY	DATE	BY	DATE
D05	JUL.2022	IFA	R. BERLOUEI	M.FAKHARIAN	M.MEHRSHAD	** **
D04	JUN.2022	IFA	R. BERLOUEI	M.FAKHARIAN	M.MEHRSHAD	** **
D03	MAY.2022	IFA	R. BERLOUEI	M.FAKHARIAN	M.MEHRSHAD	** **
D02	MAR.2022	IFA	R. BERLOUEI	M.FAKHARIAN	M.MEHRSHAD	** **
D01	NOV.2021	IFA	R. BERLOUEI	M.FAKHARIAN	M.MEHRSHAD	** **
D00	OCT.2021	IFC	R. BERLOUEI	M.FAKHARIAN	SH.GHALIKAR	** **

PROJECT NAME: BINAK OILFIELD DEVELOPMENT/SUB-SURFACE WORK PACKAGES W028 WELLHEAD FACILITIES

PROJECT NO.: 971020

EPC CONTRACTOR: HIRGAN ENERGY - DESIGN & INSPECTION COMPANIES

EPD/EPC CONTRACTOR(GC): PETROIRAN DEVELOPMENT COMPANY

DRAWING TITLE: CIVIL AND STRUCTURAL DRAWINGS-W028S TREATMENT PAD FORMWORK - DETAIL & SECTION

SCALE	SIZE	LOCATION	SIZE CLASS	SHEET NO.	REV.	BUDGET REF.	LOCATION	SIZE CLASS	SHEET NO.	SHEET	REVISION
AS SHOWN	A1	BK-W028-PEDCO-110-CV-PY-0002		11 OF 42	D05	053-073-9184	F	4	S	707548	11 D05

اصل و کلیه نسخ این نقشه و حق اقتباس متعلق به شرکت ملی مناطق نفت خیز جنوب میباشد.

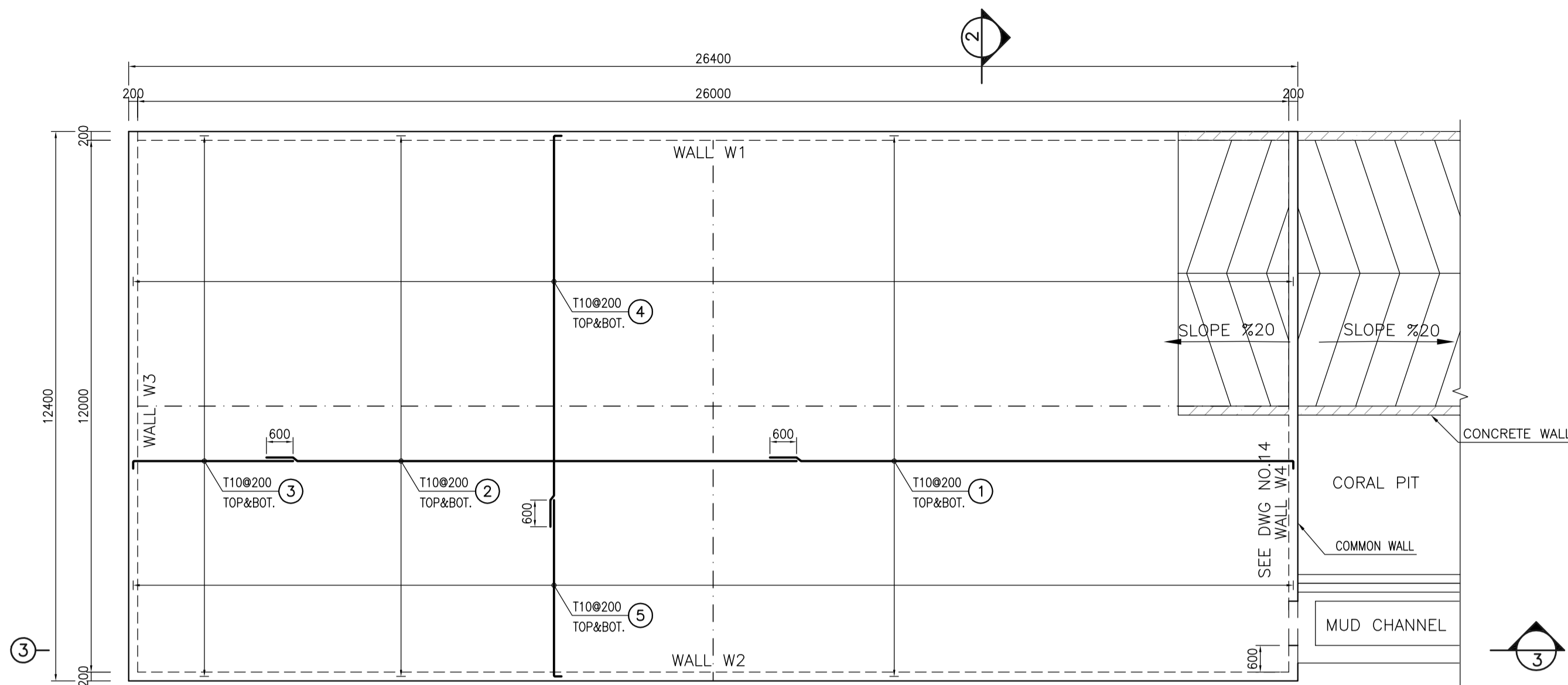
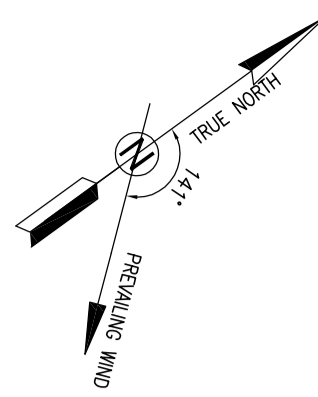
THE ORIGINAL AND ALL COPIES OF THIS DRAWING TOGETHER WITH THE COPYRIGHT THEREIN ARE THE SOLE PROPERTY OF N.I.S.O.C./ FIELDS

BINAK OILFIELD DEVELOPMENT SUB-SURFACE WORK PACKAGES W028 WELLHEAD FACILITIES

DATE	SCALE	DRAWING BY	CHECKED BY	PROJECT ENG.

NO CONSTRUCTION PERMITTED UNLESS DRAWING APPROVED

APPROVED FOR CONSTRUCTION	BY:	DATE:



1:100 TREATMENT PAD PLAN REINFORCEMENT

BAR BENDING SCHEDULE - TREATMENT PAD					
Pos	Spec.	Shape	L/A	No.	T10
1	T10	150 11850	12.00	128	1536.0
2	T10	12000	12.00	128	1536.0
3	T10	150 3600	3.75	128	480.0
4	T10	150 8850	9.00	247	2223.0
5	T10	150 4000	4.15	247	1025.05
6	T10	150 650	0.80	190	152.0
7	T10	150 300	0.45	120	54.0
TOTAL LENGTH OR AREA (m)					7006.05
UNIT WEIGTH (Kg/m)					0.617
WEIGTH (Kg)					4322.74
GRAND TOTAL (Kg)					4330

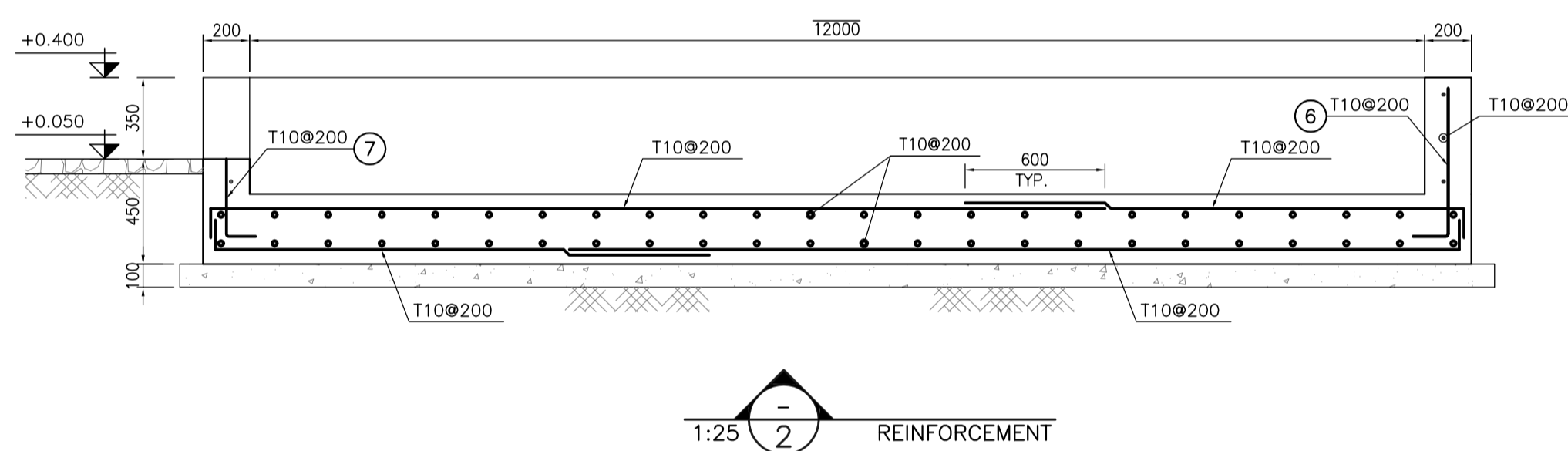
- NOTES**
- ALL COORDINATES ARE IN METER.
 - ALL DIMENSIONS ARE IN MILLIMETERS AND ELEVATIONS ARE IN METER.
 - ALL DRAWINGS SHALL BE CHECKED BY CONTRACTOR WITH RELATIVE DRAWINGS BEFORE CONSTRUCTION.
 - ACCORDING TO THE SPECIFICATION OF CONCRETE WORKS: "BK-GNRL-PEDCO-000-ST-SP-0001", 28 DAYS CHARACTERISTIC COMPRESSIVE STRENGTH OF MAIN CONCRETE IS 25 MPa (ON CYLINDRICAL SPECIMEN)
 - ACCORDING TO THE SPECIFICATION OF CONCRETE WORKS: "BK-GNRL-PEDCO-000-ST-SP-0001", 28 DAYS CHARACTERISTIC COMPRESSIVE STRENGTH OF LEAN CONCRETE IS 15 MPa (ON CYLINDRICAL SPECIMEN)
 - REINFORCING BARS SHALL BE S400 ACCORDING TO; ISIRI3132 AND INBC9 WITH MINIMUM TENSILE YIELD STRENGTH 400 N/mm²
 - MINIMUM FOUNDATION NET CONCRETE COVER SHALL BE 75 mm.
 - SPECIFICATIONS OF THERMO PLAST ACRYLIC COLOR, BASED ON No.3758 NATIONAL STANDARD CODE: DENSITY : 4.1-5.1 gr/cm³ THICKNESS : 300-400 MICRON GLOSS : DULL SOLID MATERIAL PERCENTAGE BY WEIGHT : 75%±2 SOLID MATERIAL PERCENTAGE BY VOLUME : 48%±2
 - JOINT SEALANT MATERIALS SHALL BE WETHER-RESISTANT POLYURETHANE OR SILICONE SCH AS "AEROLASTIC 1674" OR SIMILAR AND SHALL CONFORM TO BS-4254 FOR VERTICAL JOINTS IN WALLS.
 - CONTRACTION JOINTS SHALL BE CONSIDERED IN CONCRETE SLABS EVERY 6m.
 - GEODETIC PARAMETERS FOR COORDINATES ARE AS BELOW:
 HORIZONTAL COORDINATE SYSTEM: WGS84/UTM ZONE 39
 ELLIPSOID : WORLD GEODETIC SYSTEM 1984 (WGS84)
 MAP PROJECTION: UNIVERSAL TRANSVERSE MERCATOR (UTM)
 VERTICAL DATUM: MSL

LEGEND AND ABBREVIATION

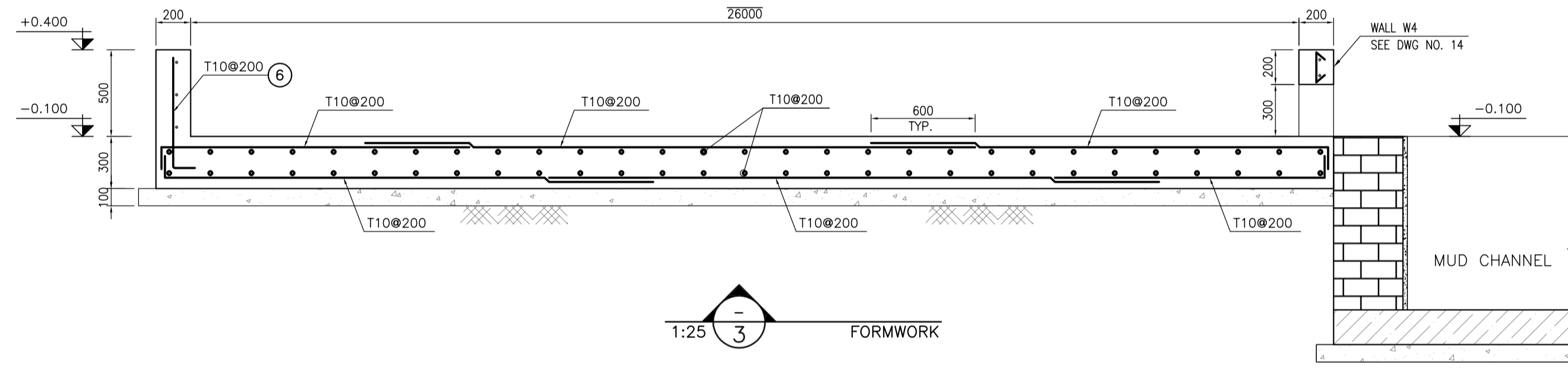
	REINFORCED CONCRETE	T.O.F.	TOP OF FOUNDATION
	LEAN CONCRETE	T.O.W.	TOP OF WALL
	CEMENT BLOCK WALL	T.O.C.	TOP OF CONCRETE
	GRAVEL	T.O.PIT	TOP OF PIT
	SUB GRADE	B.O.P.	BOTTOM OF PIPE
	SLOPE	R.G.L.	ROUGH GRADING LEVEL

REFERENCE DRAWING

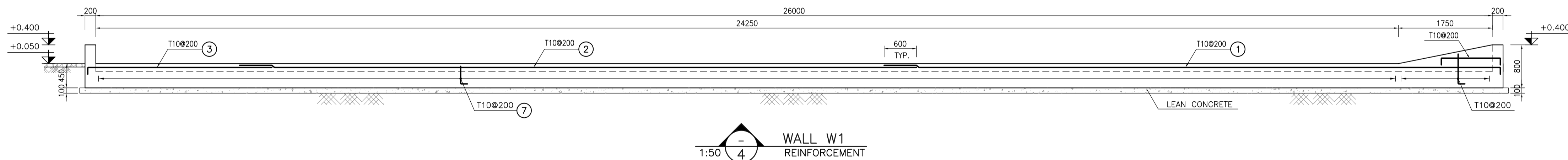
REFERENCE DRAWING	DRG. No.
SPECIFICATION FOR FENCE & GATE	BK-GNRL-PEDCO-000-CV-SP-0003
GENERAL NOTES - STEEL STRUCTURES	BK-GNRL-PEDCO-000-ST-DW-0011
GENERAL NOTES - REINFORCED CONCRETE STRUCTURES	BK-GNRL-PEDCO-000-ST-DW-0012
GENERAL CIVIL LAYOUT - W028	BK-W028-PEDCO-110-CV-PY-0001
ROUGH GRADING PLANS - W028	BK-W028-PEDCO-110-CV-DW-0001
STANDARD DRAWING FOR CULVERT & DETAILS	BK-GNRL-PEDCO-000-CV-DW-0014
STANDARD DETAILS OF MISCELLANEOUS ITEMS	BK-GNRL-PEDCO-000-CV-DW-0040



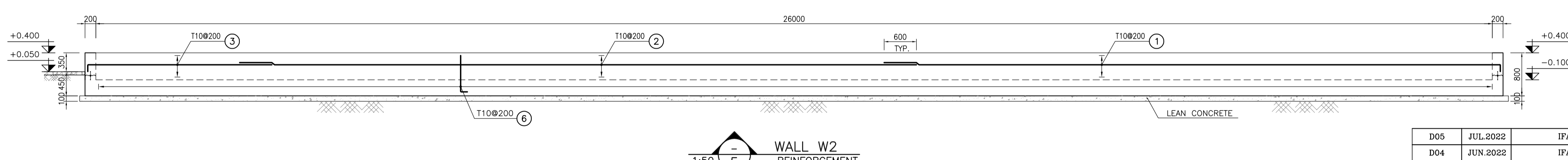
1:25 REINFORCEMENT



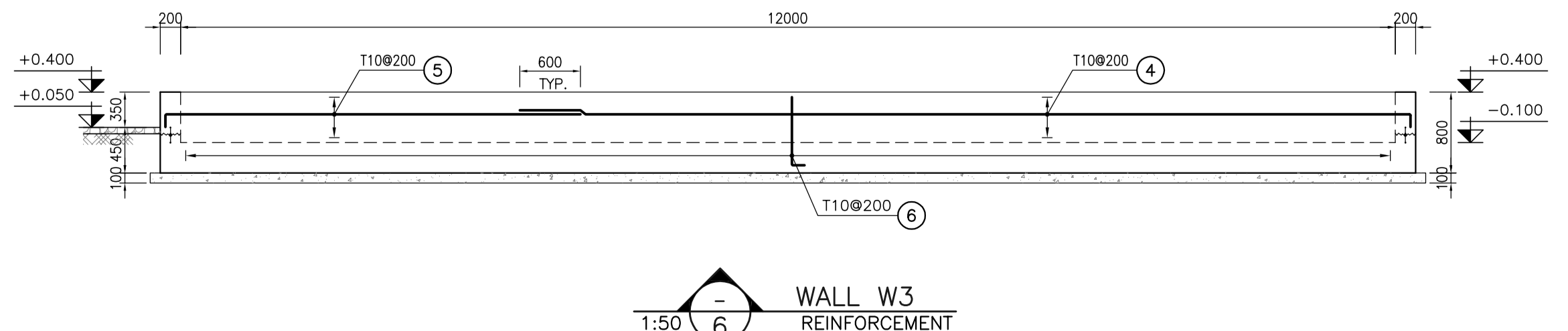
1:25 FORMWORK



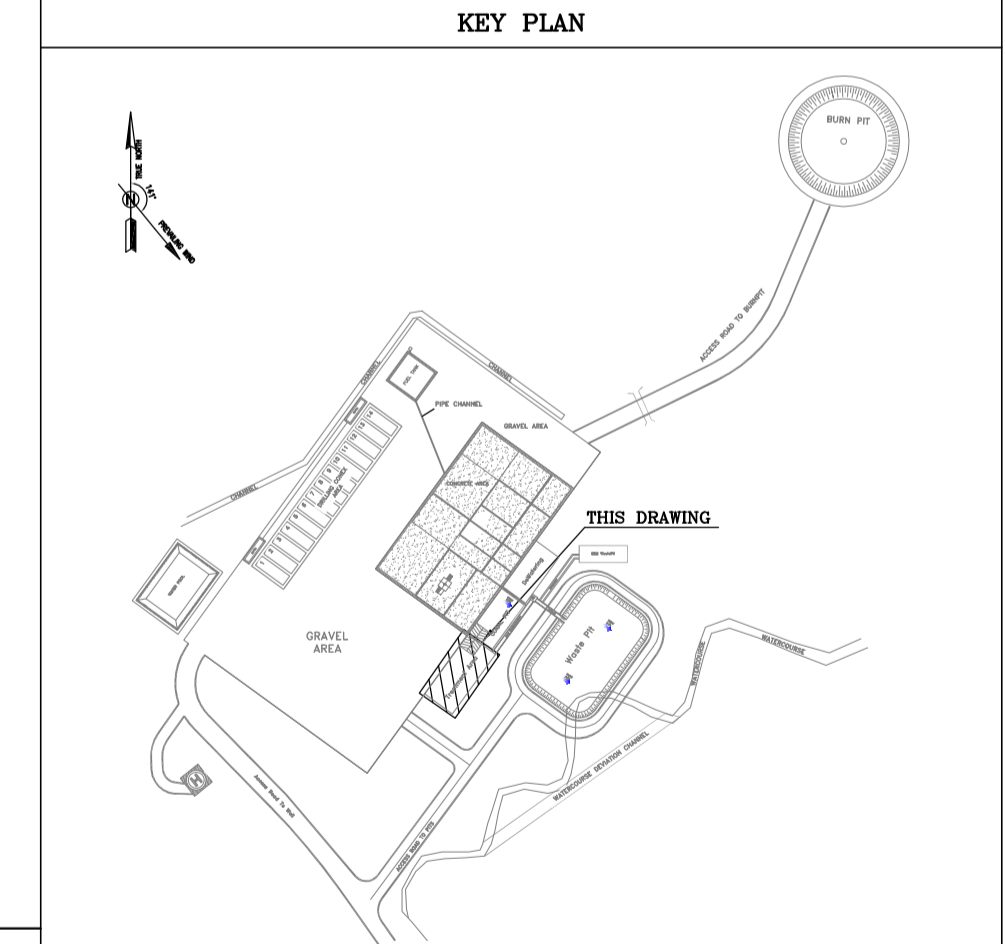
1:50 WALL W1 REINFORCEMENT



1:50 WALL W2 REINFORCEMENT



1:50 WALL W3 REINFORCEMENT



REV.	DATE	P.O.I.S	PREP.	CHK.	APP.	AUT.
D05	JUL.2022	IFA	R. BERLOUEI	M.FAKHARIAN	M.MEHRSHAD	**
D04	JUN.2022	IFA	R. BERLOUEI	M.FAKHARIAN	M.MEHRSHAD	**
D03	MAY.2022	IFA	R. BERLOUEI	M.FAKHARIAN	M.MEHRSHAD	**
D02	MAR.2022	IFA	R. BERLOUEI	M.FAKHARIAN	M.MEHRSHAD	**
D01	NOV.2021	IFA	R. BERLOUEI	M.FAKHARIAN	M.MEHRSHAD	**
D00	OCT.2021	IFC	R. BERLOUEI	M.FAKHARIAN	SH.GHALIKAR	**

PROJECT NAME: BINAK OILFIELD DEVELOPMENT/SUB-SURFACE WORK PACKAGES W028 WELLHEAD FACILITIES

PROJECT NO.: 971020

EPC CONTRACTOR: HIRGAN ENERGY - DESIGN & INSPECTION COMPANIES

EPD/EPC CONTRACTOR(GC): PETROIRAN DEVELOPMENT COMPANY

DRAWING TITLE: CIVIL AND STRUCTURAL DRAWINGS-W028S TREATMENT PAD REINFORCEMENT - DETAIL & SECTION

SCALE	SIZE	DRAWING NO.	SHEET NO.	REV.	BUDGET REF.	LOCATION	SIZE CLASS	SERIAL NO.	SHEET	REVISION
AS SHOWN	A1	BK-W028-PEDCO-110-CV-PY-0002	12 OF 42	D05	053-073-9184	F	4	S	707548	12 D05

اسم و کلیه نسخ این نقشه و حق اقتباس متعلق به شرکت ملی مناطق نفت خیز جنوب میباشد.

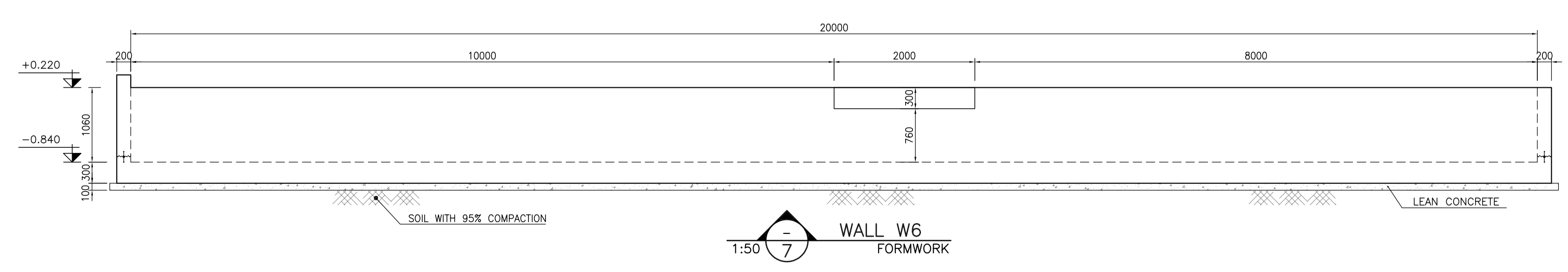
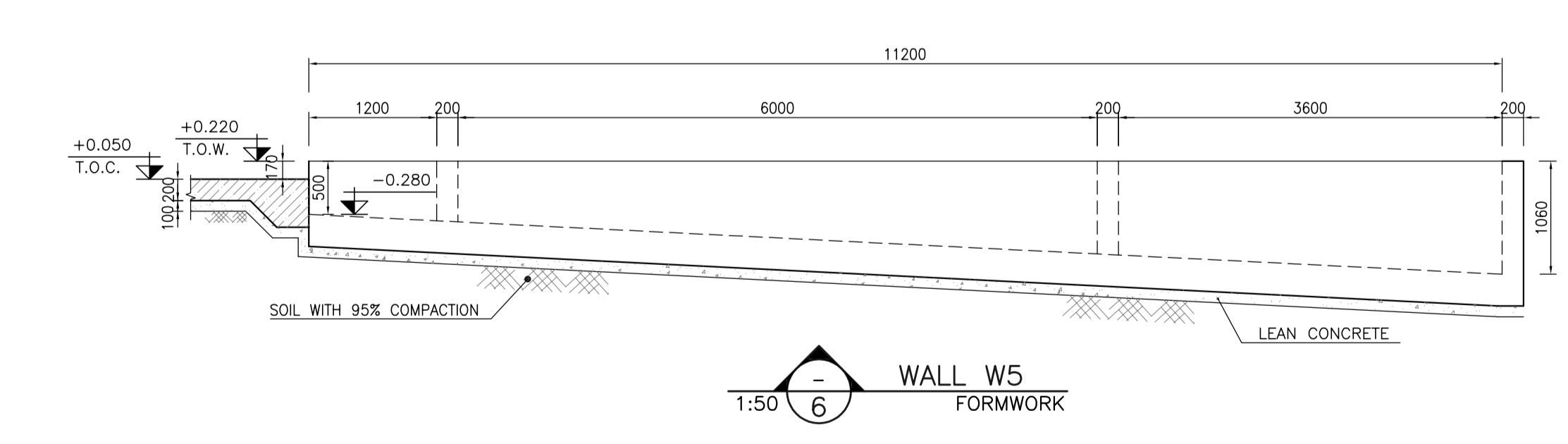
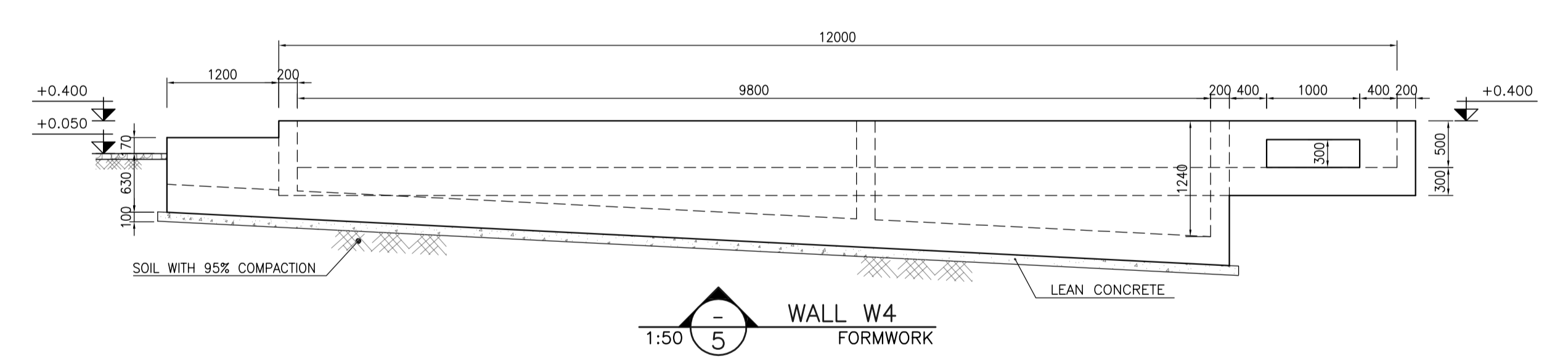
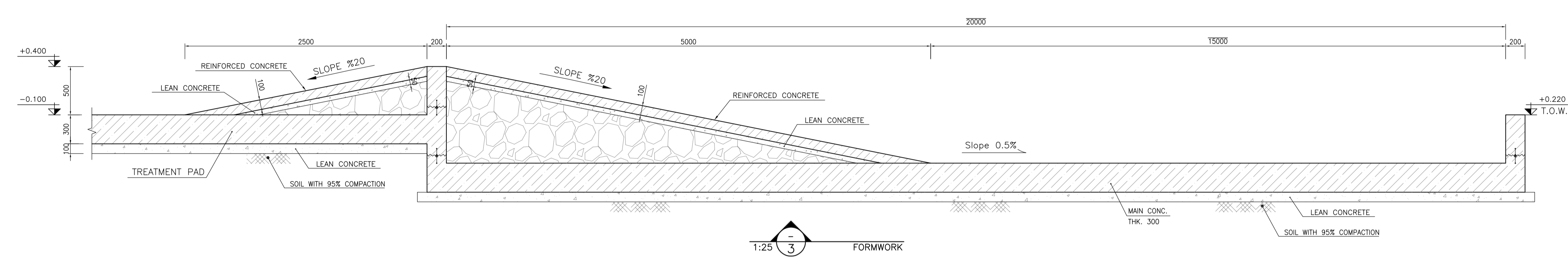
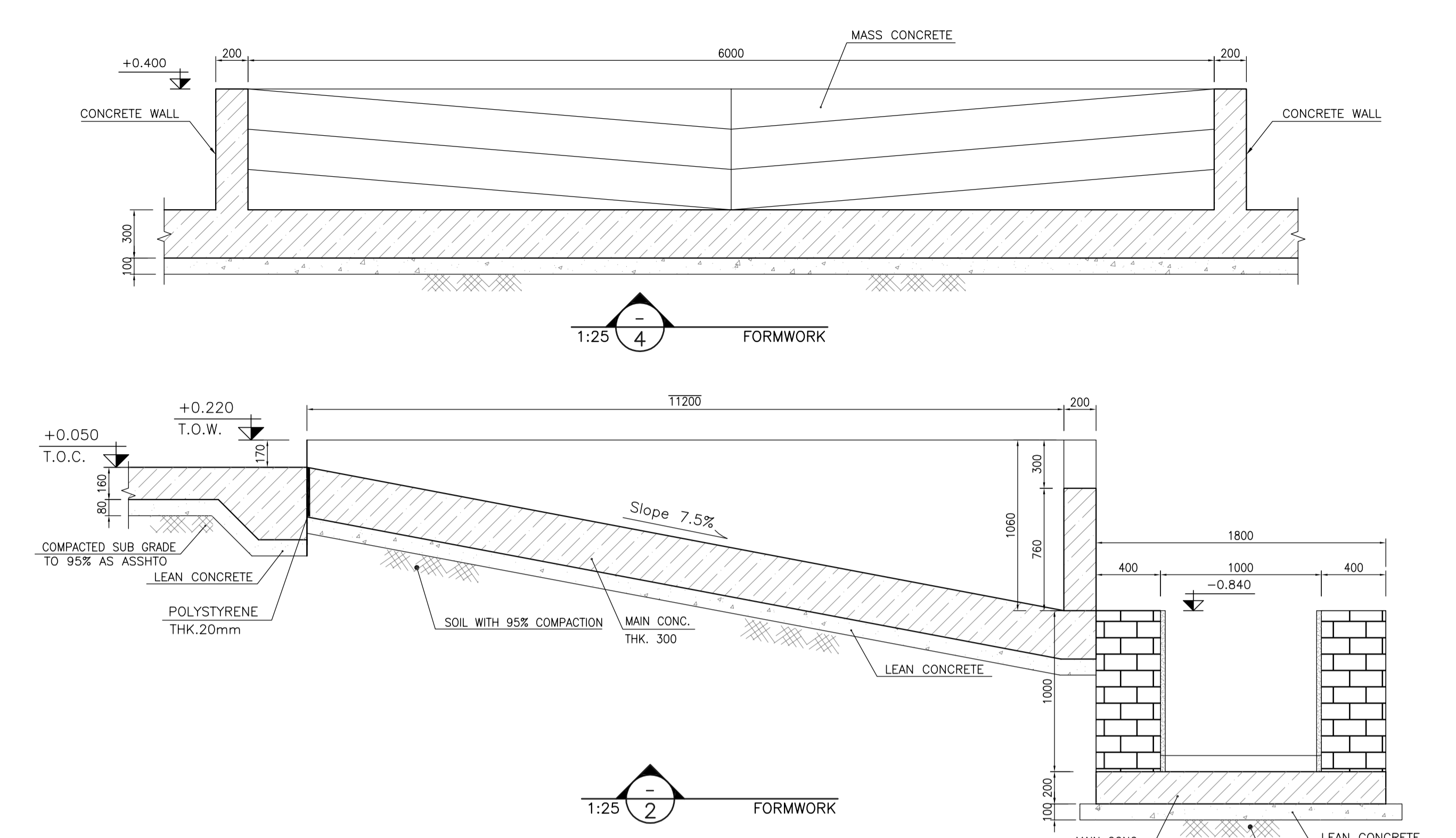
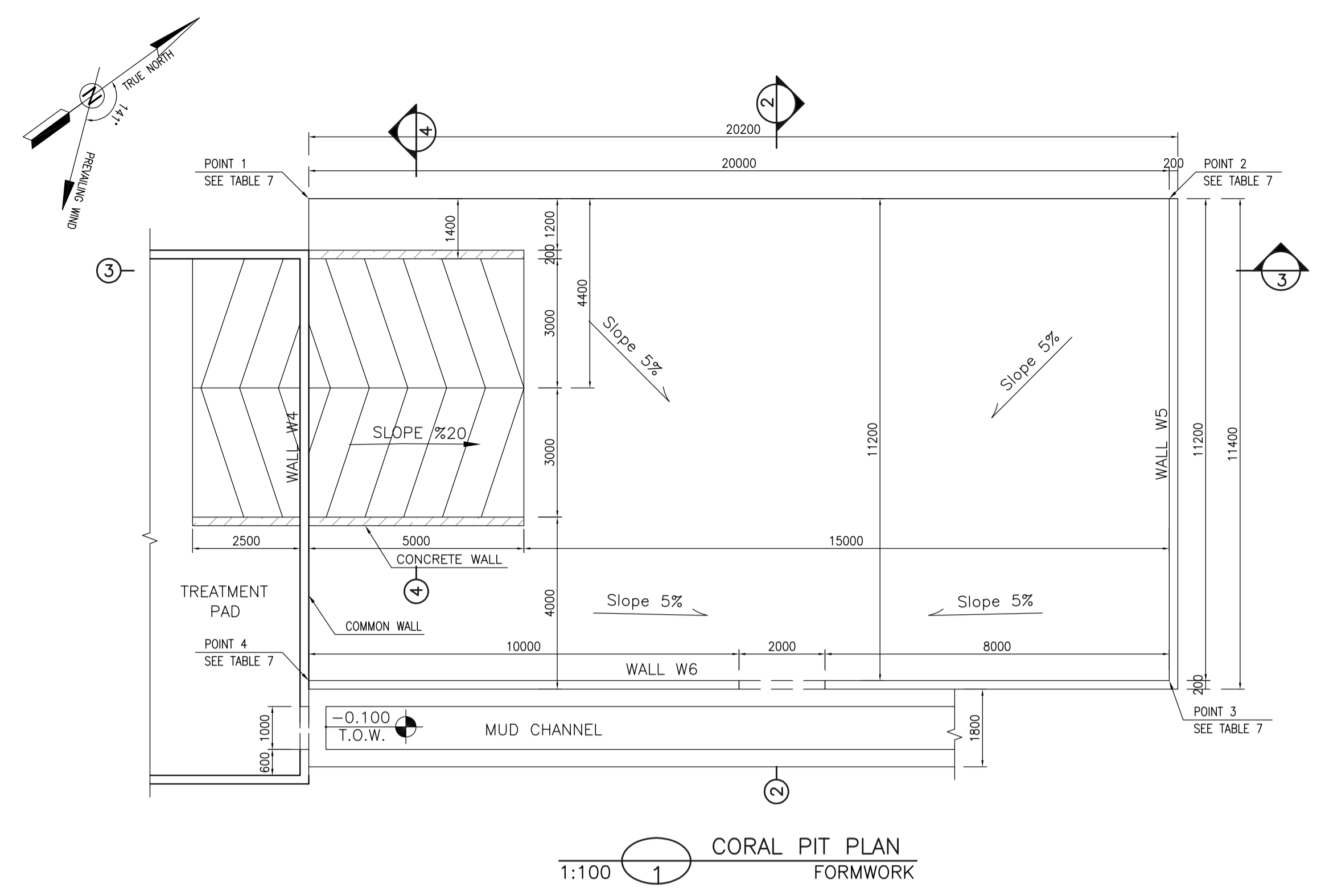
THE ORIGINAL AND ALL COPIES OF THIS DRAWING TOGETHER WITH THE COPYRIGHT THEREIN ARE THE SOLE PROPERTY OF N.I.S.O.C./ FIELDS

BINAK OILFIELD DEVELOPMENT SUB-SURFACE WORK PACKAGES W028 WELLHEAD FACILITIES

DATE	SCALE	DRAWING BY	CHECKED BY	PROJECT ENG.

NO CONSTRUCTION PERMITTED UNLESS DRAWING APPROVED

APPROVED FOR CONSTRUCTION	BY:	DATE:



- NOTES**
- 1- ALL COORDINATES ARE IN METER.
 - 2- ALL DIMENSIONS ARE IN MILLIMETERS AND ELEVATIONS ARE IN METER.
 - 3- ALL DRAWINGS SHALL BE CHECKED BY CONTRACTOR WITH RELATIVE DRAWINGS BEFORE CONSTRUCTION.
 - 4- ACCORDING TO THE SPECIFICATION OF CONCRETE WORKS: "BK-GNRL-PEDCO-000-ST-SP-0001", 28 DAYS CHARACTERISTIC COMPRESSIVE STRENGTH OF MAIN CONCRETE IS 25 MPa (ON CYLINDRICAL SPECIMEN)
 - 5- ACCORDING TO THE SPECIFICATION OF CONCRETE WORKS: "BK-GNRL-PEDCO-000-ST-SP-0001", 28 DAYS CHARACTERISTIC COMPRESSIVE STRENGTH OF LEAN CONCRETE IS 15 MPa (ON CYLINDRICAL SPECIMEN)
 - 6- REINFORCING BARS SHALL BE S400 ACCORDING TO: ISIRI3132 AND INBC9 WITH MINIMUM TENSILE YIELD STRENGTH 400 N/mm²
 - 7- MINIMUM FOUNDATION NET CONCRETE COVER SHALL BE 75 mm.
 - 8- SPECIFICATIONS OF THERMO PLAST ACRYLIC COLOR, BASED ON No.3758 NATIONAL STANDARD CODE: DENSITY : 4.1-5.1 gr/cm³ THICKNESS : 300-400 MICRON GLOSS : DULL SOLID MATERIAL PERCENTAGE BY WEIGHT : 75%±2 SOLID MATERIAL PERCENTAGE BY VOLUME : 48%±2
 - 9- JOINT SEALANT MATERIALS SHALL BE WETHER-RESISTANT POLYURETHANE OR SILICONE SCH AS "AEROLASTIC 1674" OR SIMILAR AND SHALL CONFORM TO BS-4254 FOR VERTICAL JOINTS IN WALLS.
 - 10- CONTRACTION JOINTS SHALL BE CONSIDERED IN CONCRETE SLABS EVERY 6m.
 - 11- GEODETIC PARAMETERS FOR COORDINATES ARE AS BELOW:
 HORIZONTAL COORDINATE SYSTEM: WGS84/UTM ZONE 39
 ELLIPSOID : WORLD GEODETIC SYSTEM 1984 (WGS84)
 MAP PROJECTION: UNIVERSAL TRANSVERSE MERCATOR (UTM)
 VERTICAL DATUM: MSL

±0.00 = +31.00(R.G.L.)MSL

LEGEND AND ABBREVIATION

	REINFORCED CONCRETE	T.O.F.	TOP OF FOUNDATION
	LEAN CONCRETE	T.O.W.	TOP OF WALL
	CEMENT BLOCK WALL	T.O.C.	TOP OF CONCRETE
	GRAVEL	T.O.PIT	TOP OF PIT
	SUB GRADE	B.O.P.	BOTTOM OF PIPE
	SLOPE	R.G.L.	ROUGH GRADING LEVEL

REFERENCE DRAWING	DRG. No.
SPECIFICATION FOR FENCE & GATE	BK-GNRL-PEDCO-000-CV-SP-0003
GENERAL NOTES - STEEL STRUCTURES	BK-GNRL-PEDCO-000-ST-DW-0011
GENERAL NOTES - REINFORCED CONCRETE STRUCTURES	BK-GNRL-PEDCO-000-ST-DW-0012
GENERAL CIVIL LAYOUT - W028	BK-W028-PEDCO-110-CV-PY-0001
ROUGH GRADING PLANS - W028	BK-W028-PEDCO-110-CV-DW-0001
STANDARD DRAWING FOR CULVERT & DETAILS	BK-GNRL-PEDCO-000-CV-DW-0014
STANDARD DETAILS OF MISCELLANEOUS ITEMS	BK-GNRL-PEDCO-000-CV-DW-0040

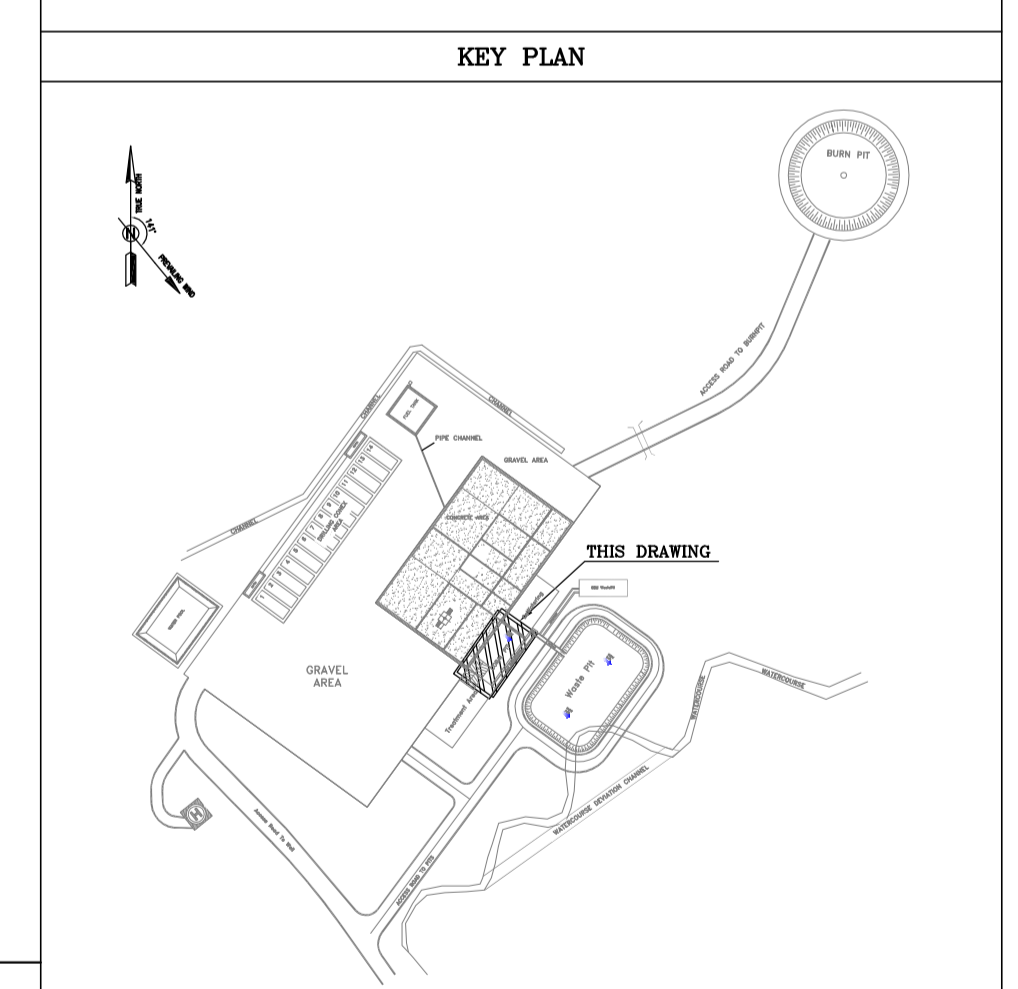


TABLE 7 (CORNERS COORDINATES)

POINT	E	N
POINT 1	E=437133.697	N=3293073.423
POINT 2	E=437145.451	N=3293089.605
POINT 3	E=437154.513	N=3293083.023
POINT 4	E=437142.759	N=3293066.841

REV.	DATE	P.O.I.S	PREP.	CHK.	APP.	AUT.
D05	JUL.2022	IFA	R. BERLOUFI	M.FAKHARIAN	M.MEHRSHAD	***
D04	JUN.2022	IFA	R. BERLOUFI	M.FAKHARIAN	M.MEHRSHAD	**
D03	MAY.2022	IFA	R. BERLOUFI	M.FAKHARIAN	M.MEHRSHAD	**
D02	MAR.2022	IFA	R. BERLOUFI	M.FAKHARIAN	M.MEHRSHAD	**
D01	NOV.2021	IFA	R. BERLOUFI	M.FAKHARIAN	M.MEHRSHAD	**
D00	OCT.2021	IPC	R. BERLOUFI	M.FAKHARIAN	SH.GHALIKAR	**

PROJECT NAME: BINAK OILFIELD DEVELOPMENT/SUB-SURFACE WORK PACKAGES W028 WELLHEAD FACILITIES

PROJECT NO.: 971020

EPC CONTRACTOR: HIRGAN ENERGY (Logo) / IRANIAN ENERGY DESIGN & INSPECTION COMPANIES (Logo)

EPD/EPC CONTRACTOR(GC): PETROIRAN DEVELOPMENT COMPANY (Logo) / PEDCO (Logo)

DRAWING TITLE: CIVIL AND STRUCTURAL DRAWINGS-W028S CORAL PIT FORMWORK - DETAIL & SECTION

SCALE	BUDGET REF.	LOCATION	SIZE CLASS	SHEET NO.	REV.
AS SHOWN	A1	BK-W028-PEDCO-110-CV-PY-0002	13 OF 42	D05	053-073-9184

اصل و کلیه نسخ این نقشه و حق اقتباس متعلق به شرکت ملی مناطق نفت خیز جنوب میباشد.

THE ORIGINAL AND ALL COPIES OF THIS DRAWING TOGETHER WITH THE COPYRIGHT THEREIN ARE THE SOLE PROPERTY OF N.I.S.O.C./ FIELDS

BINAK OILFIELD DEVELOPMENT SUB-SURFACE WORK PACKAGES W028 WELLHEAD FACILITIES

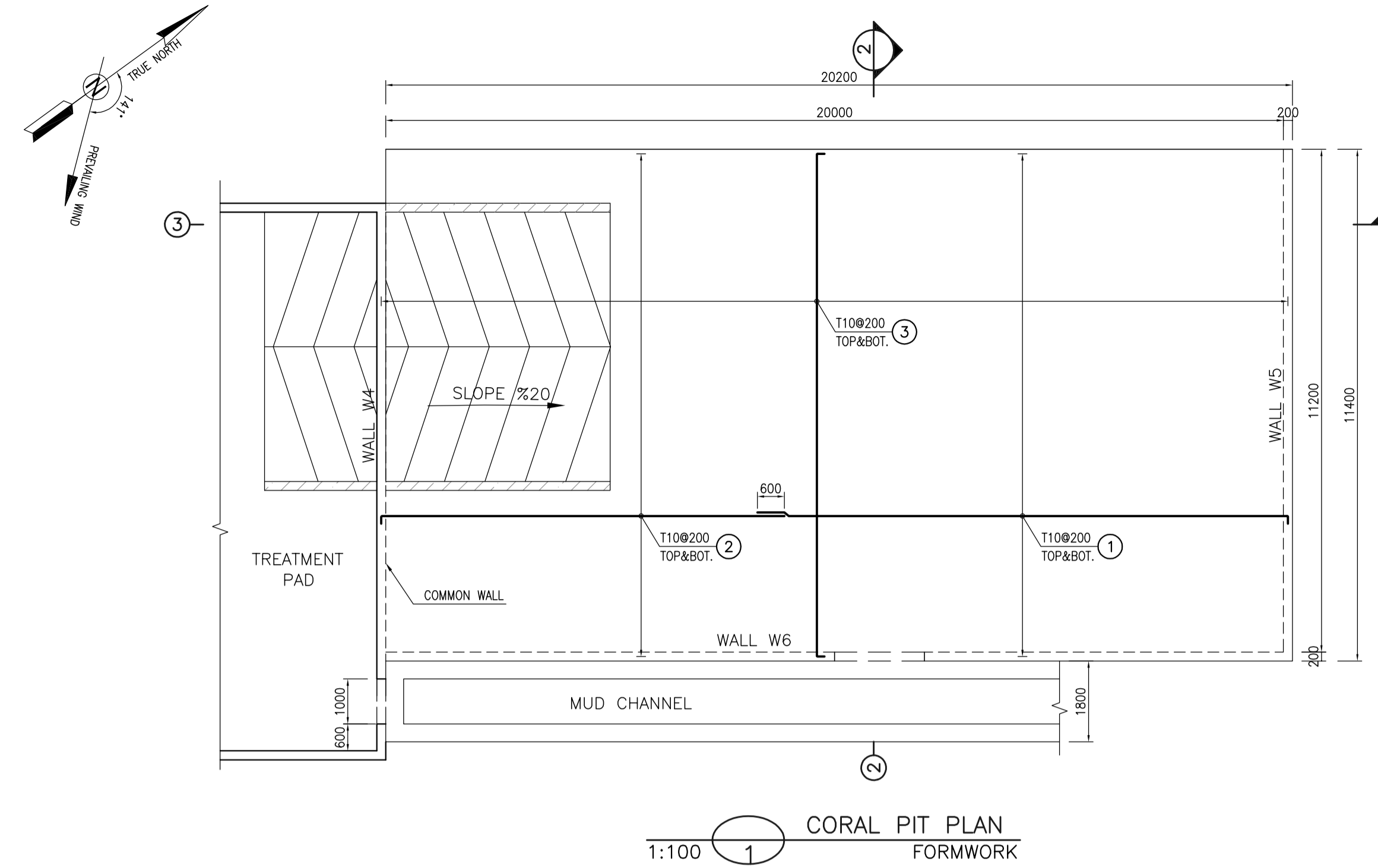
DATE	SCALE	DRAWING BY	CHECKED BY	PROJECT ENG.

NO CONSTRUCTION PERMITTED UNLESS DRAWING APPROVED

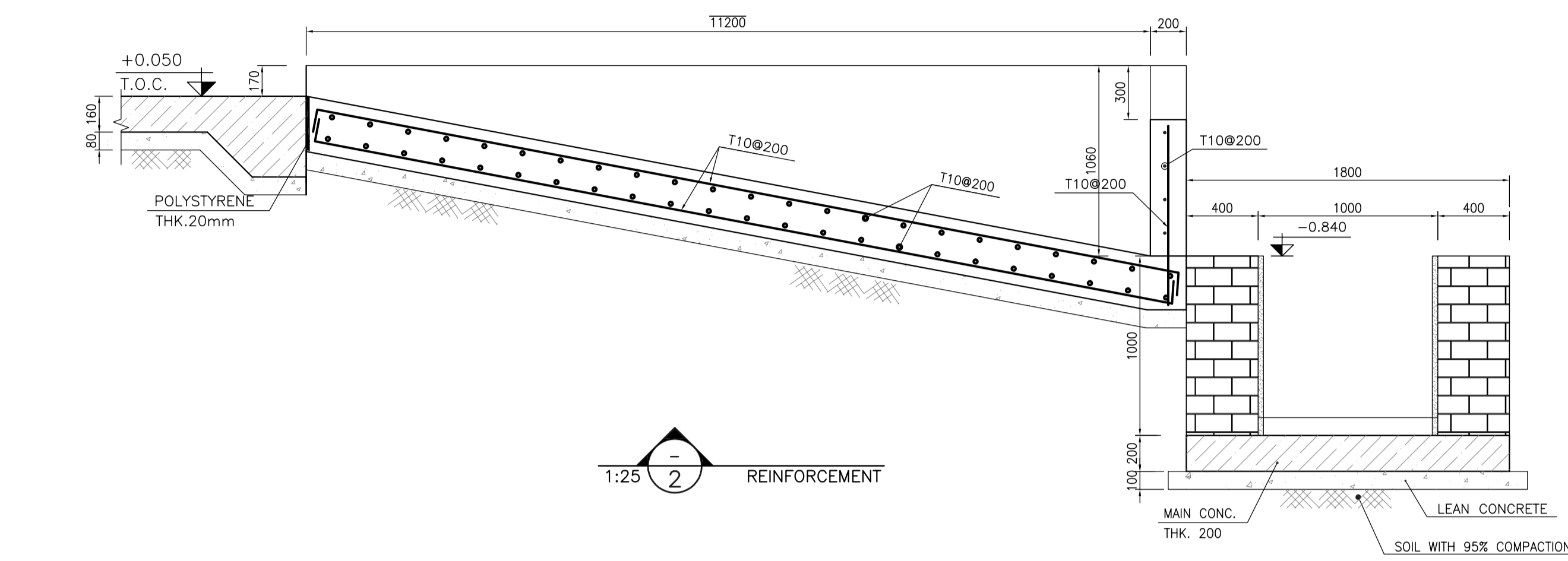
APPROVED FOR CONSTRUCTION	BY:	DATE:

SCALE	BUDGET REF.	LOCATION	SIZE CLASS	SHEET NO.	REV.
AS SHOWN	A1	BK-W028-PEDCO-110-CV-PY-0002	13 OF 42	D05	053-073-9184

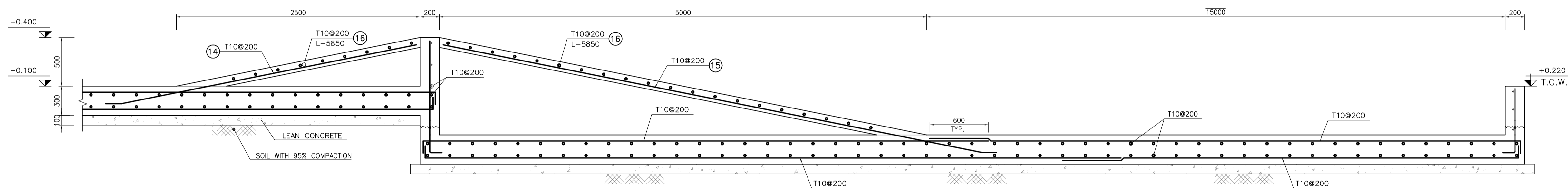
TOTALLY REVISED



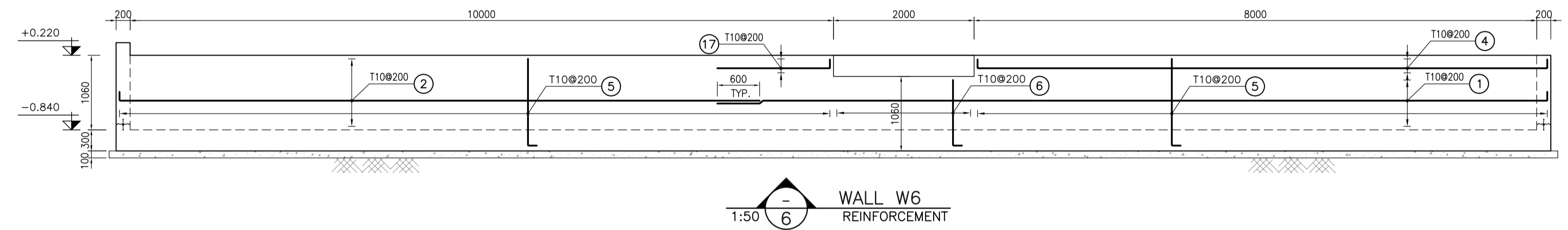
1:100 CORAL PIT PLAN FORMWORK



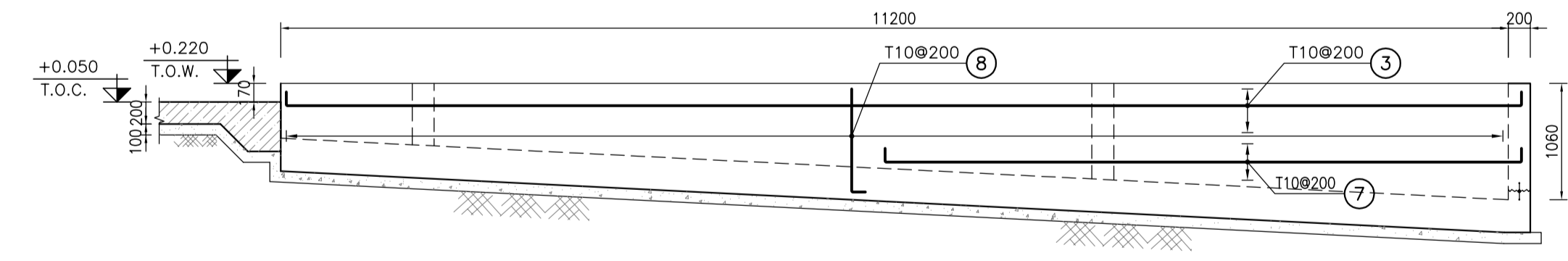
1:25 REINFORCEMENT



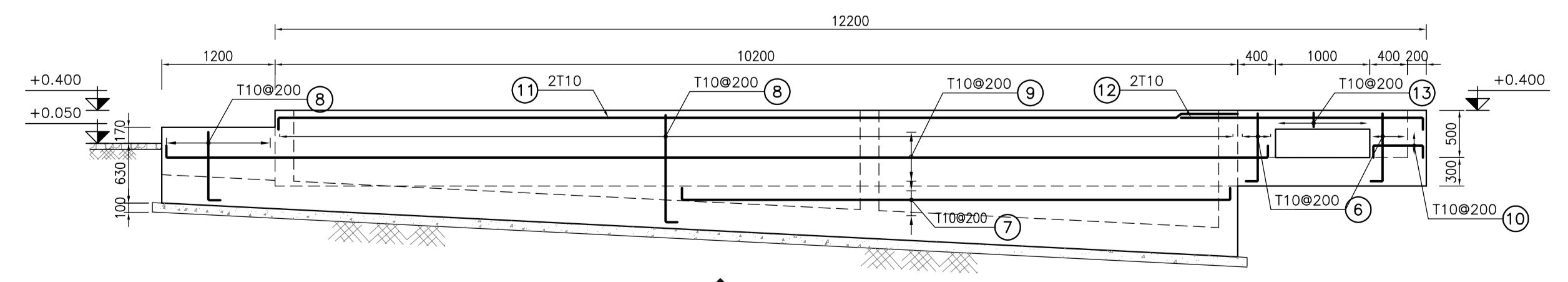
1:25 REINFORCEMENT



1:50 WALL W6 REINFORCEMENT



1:50 WALL W5 REINFORCEMENT



1:50 WALL W4 REINFORCEMENT

BAR BENDING SCHEDULE - CORAL PIT					
Pos	Spec.	Shape	L/A	No.	T10
1	T10	150 11850	12.00	118	1416.0
2	T10	150 9000	9.15	120	1098.0
3	T10	150 1125 150	11.55	207	2390.85
4	T10	150 8050 150	8.35	2	16.70
5	T10	150 1200	1.35	92	124.20
6	T10	150 900	1.05	26	27.30
7	T10	150 4000-8500 150	VAR	6	39.30
8	T10	150 650-1350	VAR	114	131.10
9	T10	150 11700 150	12.00	3	36.00
10	T10	150 450 150	0.75	2	1.50
11	T10	150 10100	10.25	2	20.50
12	T10	150 255	2.70	2	5.40
13	T10	100 100 100	0.30	6	1.80
14	T10	200 5600	5.80	30	174.0
15	T10	200 3000	3.20	30	96.0
16	T10	150 5850 150	6.15	38	233.70
17	T10	150 1650	1.80	2	3.60
TOTAL LENGTH OR AREA (m)					5815.9
UNIT WEIGHT (Kg/m)					0.617
WEIGHT (Kg)					3588.5
GRAND TOTAL (Kg)					3590

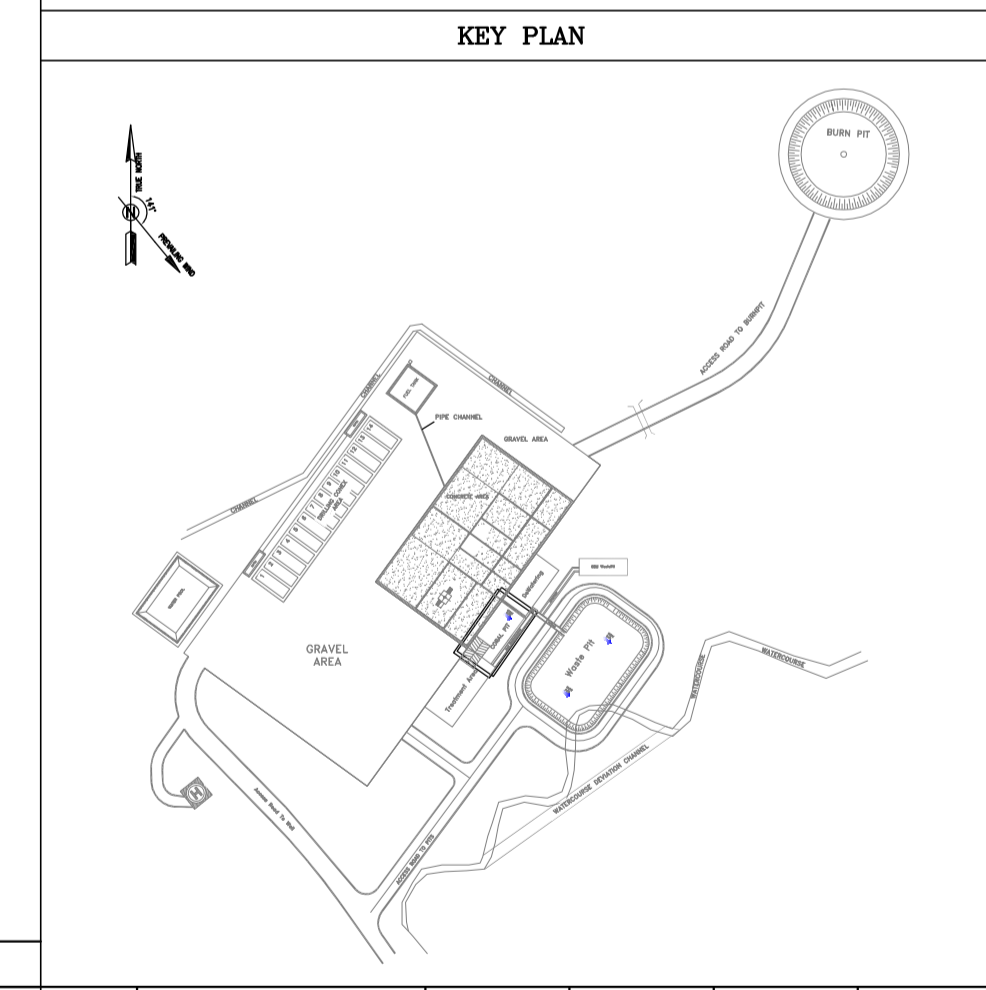
- NOTES**
- ALL COORDINATES ARE IN METER.
 - ALL DIMENSIONS ARE IN MILLIMETERS AND ELEVATIONS ARE IN METER.
 - ALL DRAWINGS SHALL BE CHECKED BY CONTRACTOR WITH RELATIVE DRAWINGS BEFORE CONSTRUCTION.
 - ACCORDING TO THE SPECIFICATION OF CONCRETE WORKS: "BK-GNRL-PEDCO-000-ST-SP-0001", 28 DAYS CHARACTERISTIC COMPRESSIVE STRENGTH OF MAIN CONCRETE IS 25 MPa (ON CYLINDRICAL SPECIMEN)
 - ACCORDING TO THE SPECIFICATION OF CONCRETE WORKS: "BK-GNRL-PEDCO-000-ST-SP-0001", 28 DAYS CHARACTERISTIC COMPRESSIVE STRENGTH OF LEAN CONCRETE IS 15 MPa (ON CYLINDRICAL SPECIMEN)
 - REINFORCING BARS SHALL BE S400 ACCORDING TO ISIRI3132 AND INBC9 WITH MINIMUM TENSILE YIELD STRENGTH 400 N/mm²
 - MINIMUM FOUNDATION NET CONCRETE COVER SHALL BE 75 mm.
 - SPECIFICATIONS OF THERMO PLAST ACRYLIC COLOR, BASED ON No.3758 NATIONAL STANDARD CODE: DENSITY : 4.1-5.1 gr/cm³ THICKNESS : 300-400 MICRON GLOSS : DULL SOLID MATERIAL PERCENTAGE BY WEIGHT : 75%±2 SOLID MATERIAL PERCENTAGE BY VOLUME : 48%±2
 - JOINT SEALANT MATERIALS SHALL BE WETHER-RESISTANT POLYURETHANE OR SILICONE SCH AS "AEROLASTIC 1674" OR SIMILAR AND SHALL CONFORM TO BS-4254 FOR VERTICAL JOINTS IN WALLS.
 - CONTRACTION JOINTS SHALL BE CONSIDERED IN CONCRETE SLABS EVERY 6m.
 - GEODETIC PARAMETERS FOR COORDINATES ARE AS BELOW:
HORIZONTAL COORDINATE SYSTEM: WGS84/UTM ZONE 39
ELLIPSOID : WORLD GEODETIC SYSTEM 1984 (WGS84)
MAP PROJECTION: UNIVERSAL TRANSVERSE MERCATOR (UTM)
VERTICAL DATUM: MSL

LEGEND AND ABBREVIATION

	REINFORCED CONCRETE	T.O.F.	TOP OF FOUNDATION
	LEAN CONCRETE	T.O.W.	TOP OF WALL
	CEMENT BLOCK WALL	T.O.C.	TOP OF CONCRETE
	GRAVEL	T.O.PIT	TOP OF PIT
	SUB GRADE	B.O.P.	BOTTOM OF PIPE
	SLOPE	R.G.L.	ROUGH GRADING LEVEL

REFERENCE DRAWING

REFERENCE DRAWING	DRG. No.
SPECIFICATION FOR FENCE & GATE	BK-GNRL-PEDCO-000-CV-SP-0003
GENERAL NOTES - STEEL STRUCTURES	BK-GNRL-PEDCO-000-ST-DW-0011
GENERAL NOTES - REINFORCED CONCRETE STRUCTURES	BK-GNRL-PEDCO-000-ST-DW-0012
GENERAL CIVIL LAYOUT - W028	BK-W028-PEDCO-110-CV-PY-0001
ROUGH GRADING PLANS - W028	BK-W028-PEDCO-110-CV-DW-0001
STANDARD DRAWING FOR CULVERT & DETAILS	BK-GNRL-PEDCO-000-CV-DW-0014
STANDARD DETAILS OF MISCELLANEOUS ITEMS	BK-GNRL-PEDCO-000-CV-DW-0040



REV.	DATE	P.O.I.S	PREP.	CHK.	APP.	AUT.
D05	JUL.2022	IFA	R. BERLOUEI	M.FAKHARIAN	M.MEHRSHAD	***
D04	JUN.2022	IFA	R. BERLOUEI	M.FAKHARIAN	M.MEHRSHAD	**
D03	MAY.2022	IFA	R. BERLOUEI	M.FAKHARIAN	M.MEHRSHAD	**
D02	MAR.2022	IFA	R. BERLOUEI	M.FAKHARIAN	M.MEHRSHAD	**
D01	NOV.2021	IFA	R. BERLOUEI	M.FAKHARIAN	M.MEHRSHAD	**
D00	OCT.2021	IPC	R. BERLOUEI	M.FAKHARIAN	SH.GHALIKAR	**

PROJECT NAME: BINAK OILFIELD DEVELOPMENT/SUB-SURFACE WORK PACKAGES W028 WELLHEAD FACILITIES

PROJECT NO.: 971020

EPC CONTRACTOR: HIRGAN ENERGY - DESIGN & INSPECTION COMPANIES

EPD/EPC CONTRACTOR(GC): PETROIRAN DEVELOPMENT COMPANY

DRAWING TITLE: CIVIL AND STRUCTURAL DRAWINGS-W028S CORAL PIT REINFORCEMENT - DETAIL & SECTION

SCALE	SIZE	DRAWING NO.	SHEET NO.	REV.	BUDGET REF.	LOCATION	SIZE CLASS	SERIAL NO.	SHEET	REVISION	
AS SHOWN	A1	BK-W028-PEDCO-110-CV-PY-0002	14 OF 42	D05	053-073-9184	F	4	S	707548	14	D05

اسم و کلیه نسخ این نقشه و حق اقتباس متعلق به شرکت ملی مناطق نفت خیز جنوب میباشد.

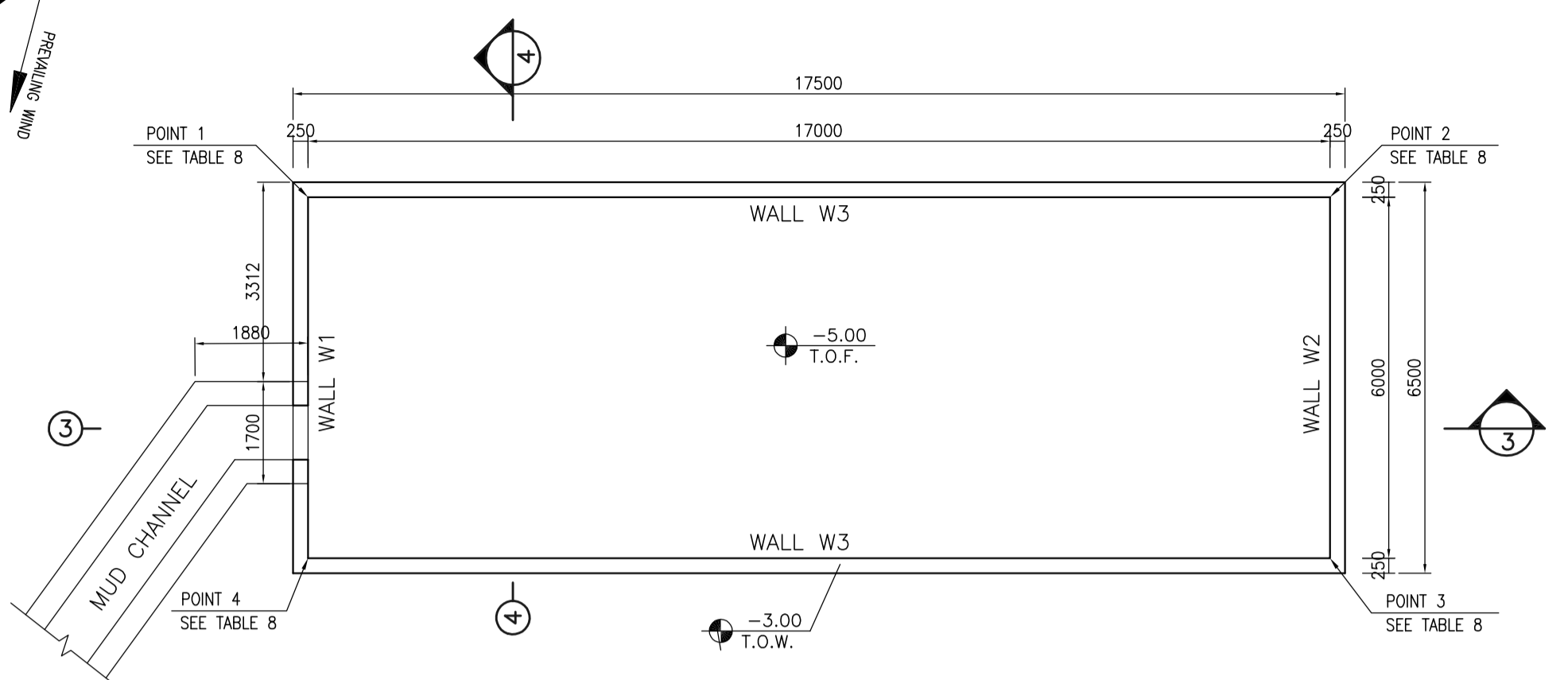
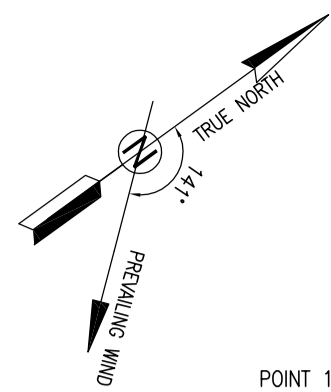
THE ORIGINAL AND ALL COPIES OF THIS DRAWING TOGETHER WITH THE COPYRIGHT THEREIN ARE THE SOLE PROPERTY OF N.I.S.O.C./ FIELDS

BINAK OILFIELD DEVELOPMENT SUB-SURFACE WORK PACKAGES W028 WELLHEAD FACILITIES

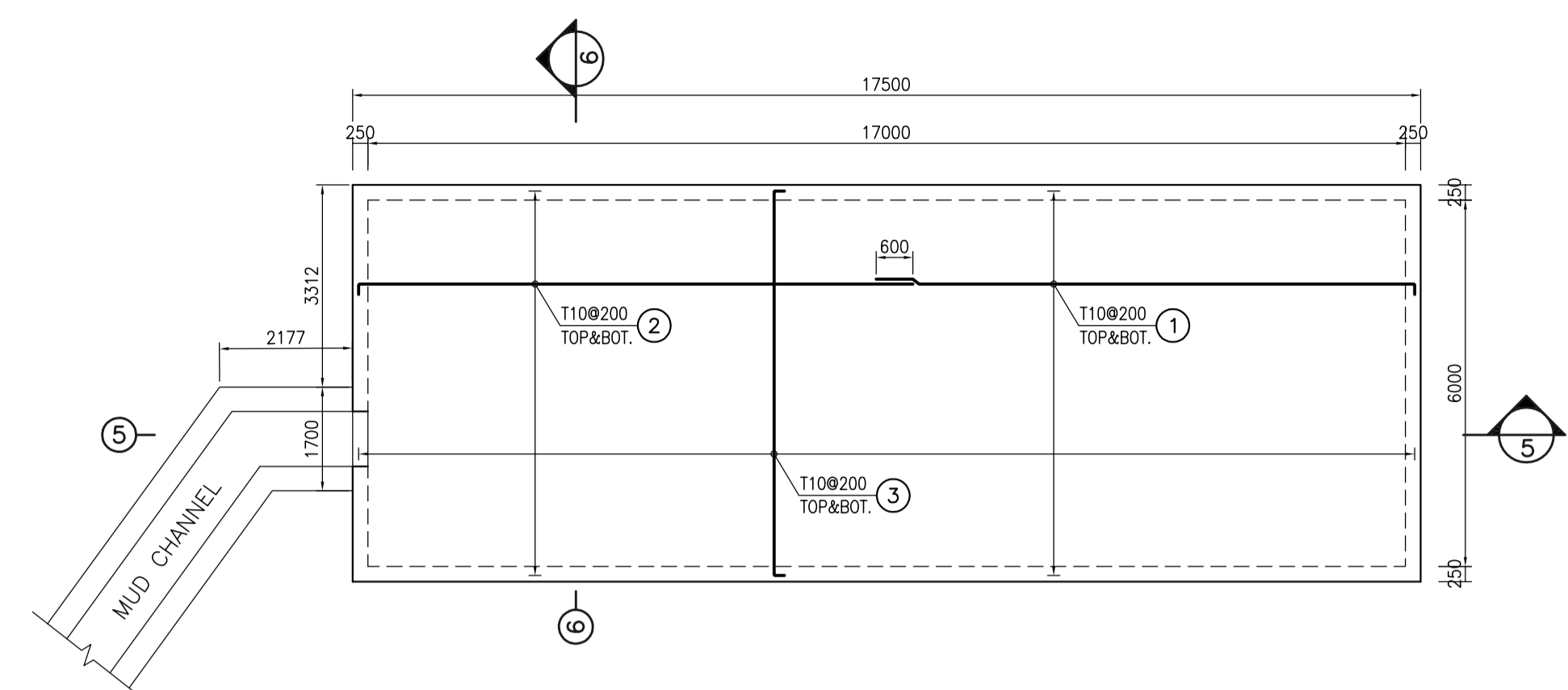
DATE	SCALE	DRAWING BY	CHECKED BY	PROJECT ENG.

NO CONSTRUCTION PERMITTED UNLESS DRAWING APPROVED

APPROVED FOR CONSTRUCTION	BY:	DATE:



1:100 (1) OBM WASTE PIT PLAN FORMWORK



1:100 (2) OBM WASTE PIT PLAN REINFORCEMENT

TABLE 8
(CORNERS COORDINATES)

POINT 1	E=437173.655	N=3293104.379
POINT 2	E=437190.655	N=3293104.379
POINT 3	E=437190.655	N=3293098.379
POINT 4	E=437173.655	N=3293098.379

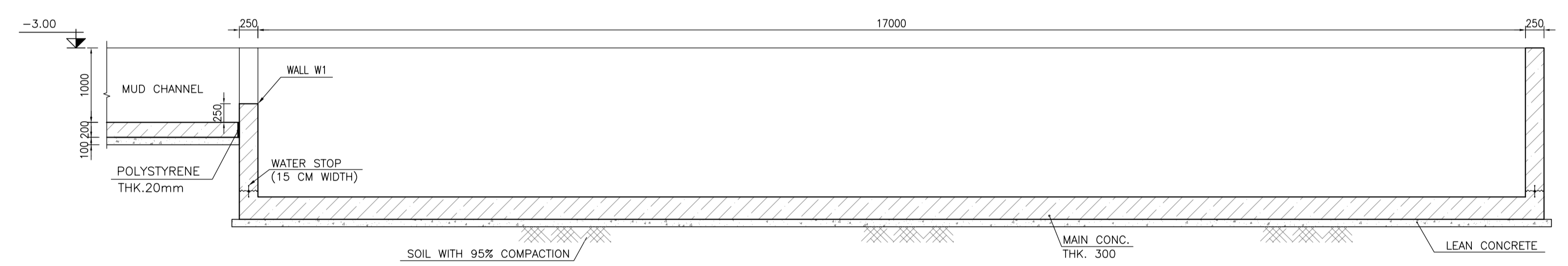
- NOTES**
- ALL COORDINATES ARE IN METER.
 - ALL DIMENSIONS ARE IN MILLIMETERS AND ELEVATIONS ARE IN METER.
 - ALL DRAWINGS SHALL BE CHECKED BY CONTRACTOR WITH RELATIVE DRAWINGS BEFORE CONSTRUCTION.
 - ACCORDING TO THE SPECIFICATION OF CONCRETE WORKS: "BK-GNRL-PEDCO-000-ST-SP-0001", 28 DAYS CHARACTERISTIC COMPRESSIVE STRENGTH OF MAIN CONCRETE IS 25 MPa (ON CYLINDRICAL SPECIMEN)
 - ACCORDING TO THE SPECIFICATION OF CONCRETE WORKS: "BK-GNRL-PEDCO-000-ST-SP-0001", 28 DAYS CHARACTERISTIC COMPRESSIVE STRENGTH OF LEAN CONCRETE IS 15 MPa (ON CYLINDRICAL SPECIMEN)
 - REINFORCING BARS SHALL BE S400 ACCORDING TO: ISIRI3132 AND INBC9 WITH MINIMUM TENSILE YIELD STRENGTH 400 N/mm²
 - MINIMUM FOUNDATION NET CONCRETE COVER SHALL BE 75 mm.
 - SPECIFICATIONS OF THERMO PLAST ACRYLIC COLOR, BASED ON No.3758 NATIONAL STANDARD CODE: DENSITY : 4.1-5.1 gr/cm³ THICKNESS : 300-400 MICRON GLOSS : DULL SOLID MATERIAL PERCENTAGE BY WEIGHT : 75%±2 SOLID MATERIAL PERCENTAGE BY VOLUME : 48%±2
 - JOINT SEALANT MATERIALS SHALL BE WETHER-RESISTANT POLYURETHANE OR SILICONE SCH AS "AEROLASTIC 1674" OR SIMILAR AND SHALL CONFORM TO BS-4254 FOR VERTICAL JOINTS IN WALLS.
 - CONTRACTION JOINTS SHALL BE CONSIDERED IN CONCRETE SLABS EVERY 6m.
 - GEODETIC PARAMETERS FOR COORDINATES ARE AS BELOW:
HORIZONTAL COORDINATE SYSTEM: WGS84/UTM ZONE 39
ELLIPSOID : WORLD GEODETIC SYSTEM 1984 (WGS84)
MAP PROJECTION: UNIVERSAL TRANSVERSE MERCATOR (UTM)
VERTICAL DATUM: MSL

±0.00 = +31.00(R.G.L.)MSL

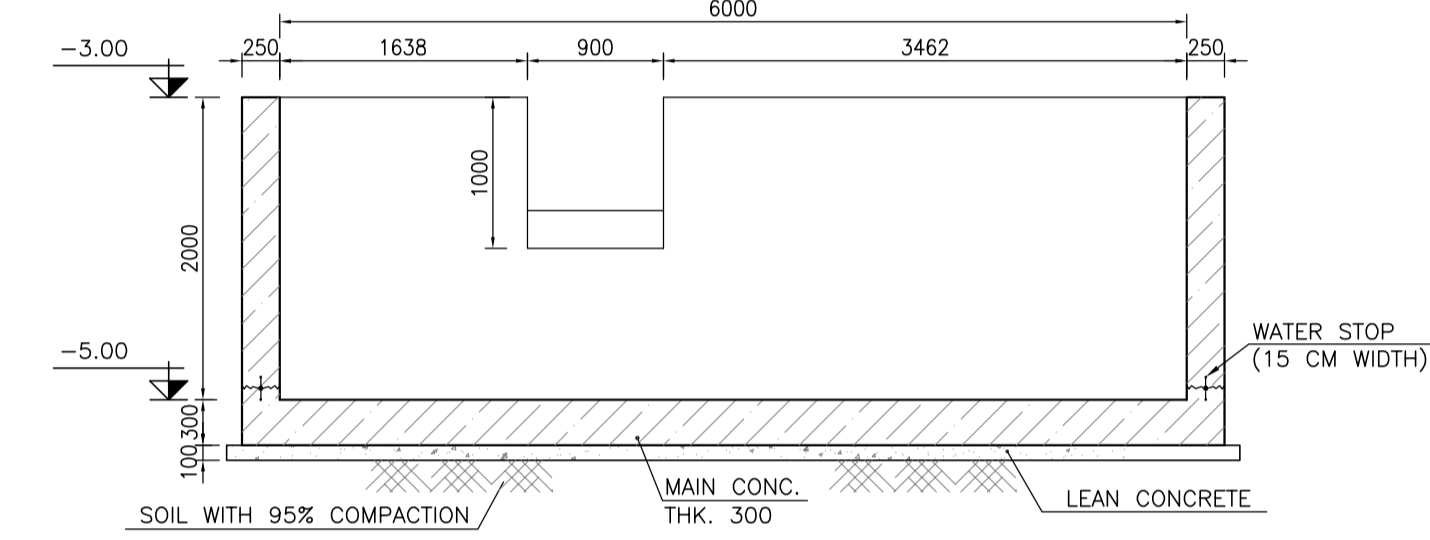
LEGEND AND ABBREVIATION

	REINFORCED CONCRETE	T.O.F.	TOP OF FOUNDATION
	LEAN CONCRETE	T.O.W.	TOP OF WALL
	CEMENT BLOCK WALL	T.O.C.	TOP OF CONCRETE
	GRAVEL	T.O.PIT	TOP OF PIT
	SUB GRADE	B.O.P.	BOTTOM OF PIPE
	SLOPE	R.G.L.	ROUGH GRADING LEVEL

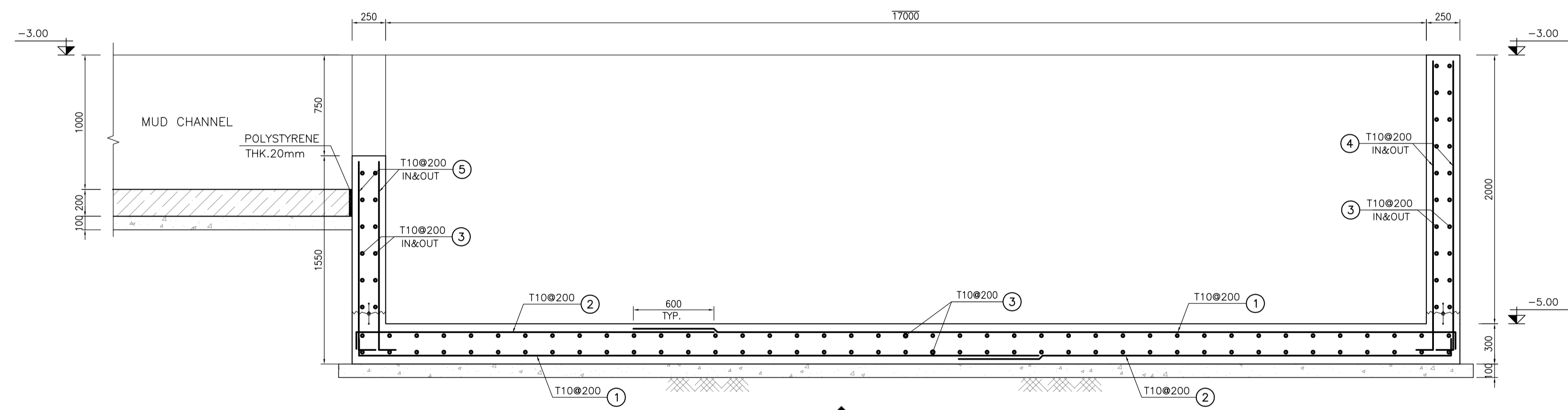
REFERENCE DRAWING	DRG. No.
SPECIFICATION FOR FENCE & GATE	BK-GNRL-PEDCO-000-CV-SP-0003
GENERAL NOTES - STEEL STRUCTURES	BK-GNRL-PEDCO-000-ST-DW-0011
GENERAL NOTES - REINFORCED CONCRETE STRUCTURES	BK-GNRL-PEDCO-000-ST-DW-0012
GENERAL CIVIL LAYOUT - W028	BK-W028-PEDCO-110-CV-PY-0001
ROUGH GRADING PLANS - W028	BK-W028-PEDCO-110-CV-DW-0001
STANDARD DRAWING FOR CULVERT & DETAILS	BK-GNRL-PEDCO-000-CV-DW-0014
STANDARD DETAILS OF MISCELLANEOUS ITEMS	BK-GNRL-PEDCO-000-CV-DW-0040



1:50 (3) FORMWORK



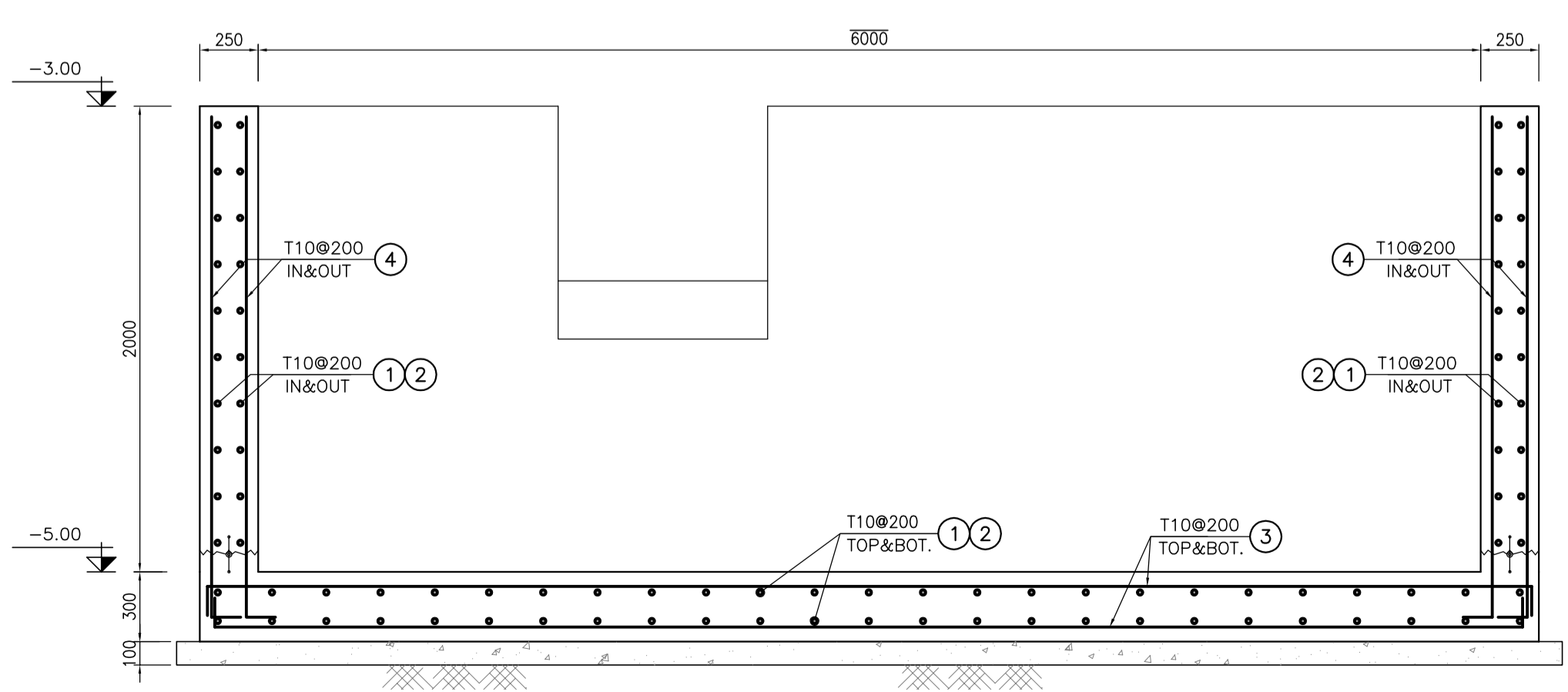
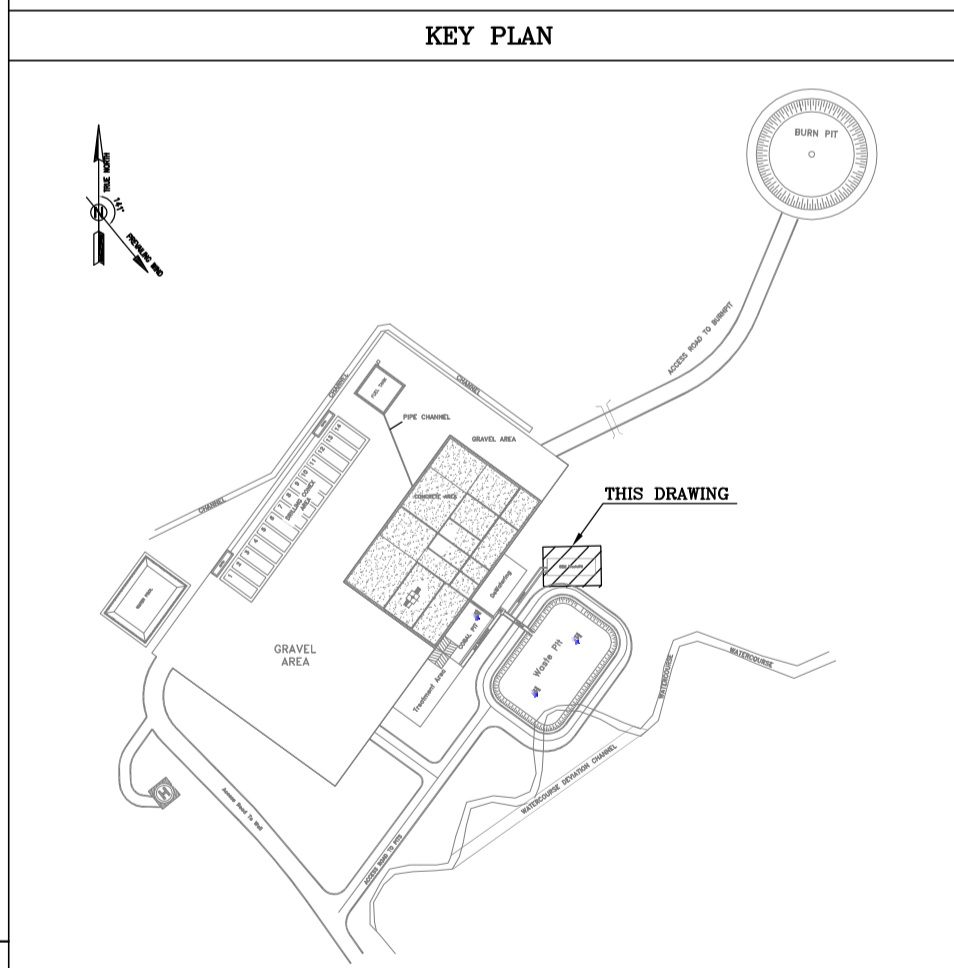
1:50 (4) FORMWORK



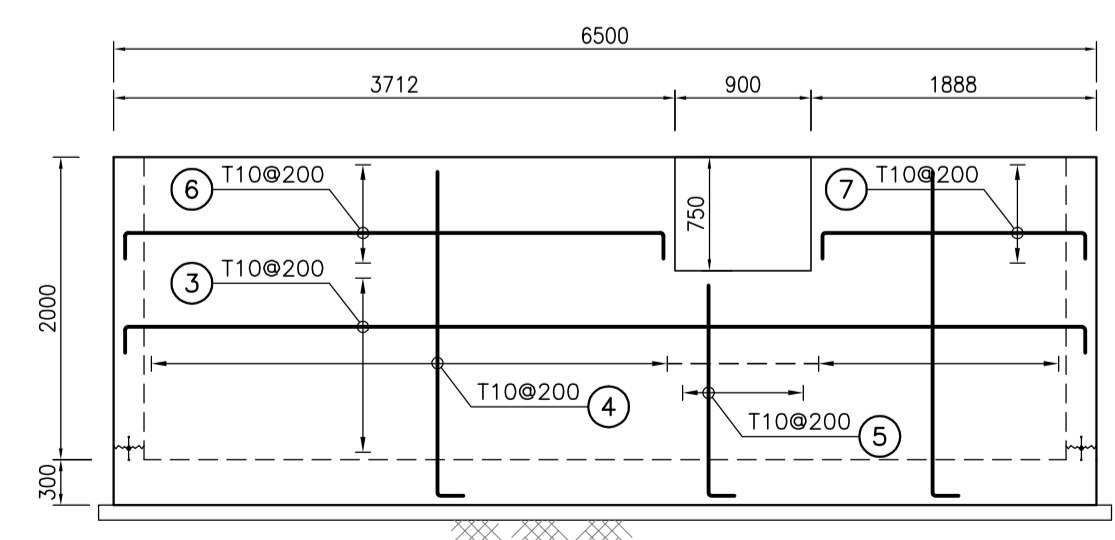
1:25 (5) REINFORCEMENT

BAR BENDING SCHEDULE - OBM WASTE PIT

Pos	Spec.	Shape	L/A	No.	T10
1	T10	150 11850	12.00	104	1248.0
2	T10	150 6100	6.25	104	650.0
3	T10	150 6350 150	6.65	206	1369.9
4	T10	150 2150	2.30	224	515.2
5	T10	150 1400	1.55	10	15.5
6	T10	150 3600 150	3.90	8	31.20
7	T10	150 1750 150	2.05	8	16.40
TOTAL LENGTH OR AREA (m)					3846.2
UNIT WEIGTH (Kg/m)					0.617
WEIGTH (Kg)					2373.1
GRAND TOTAL (Kg)					2380



1:25 (6) REINFORCEMENT



1:50 (7) WALL W1 REINFORCEMENT

REV.	DATE	DESCRIPTION	BY	DATE	BY	DATE
D05	JUL.2022	IFA	R. BERLOUEI	M.PAKHARIAN	M.MEHRSHAD	***
D04	JUN.2022	IFA	R. BERLOUEI	M.PAKHARIAN	M.MEHRSHAD	***
D03	MAY.2022	IFA	R. BERLOUEI	M.PAKHARIAN	M.MEHRSHAD	***
D02	MAR.2022	IFA	R. BERLOUEI	M.PAKHARIAN	M.MEHRSHAD	***
D01	NOV.2021	IFA	R. BERLOUEI	M.PAKHARIAN	M.MEHRSHAD	***
D00	OCT.2021	IPC	R. BERLOUEI	M.PAKHARIAN	SH.GHALIKAR	***

اصل و کلیه نسخ این نقشه و حق اقتباس متعلق به شرکت ملی مناطق نفت خیز جنوب میباشد.
THE ORIGINAL AND ALL COPIES OF THIS DRAWING TOGETHER WITH THE COPYRIGHT THEREIN ARE THE SOLE PROPERTY OF N.I.S.O.C./ FIELDS

PROJECT NO.: 971020

EPC CONTRACTOR: HIRGAN ENERGY COMPANIES

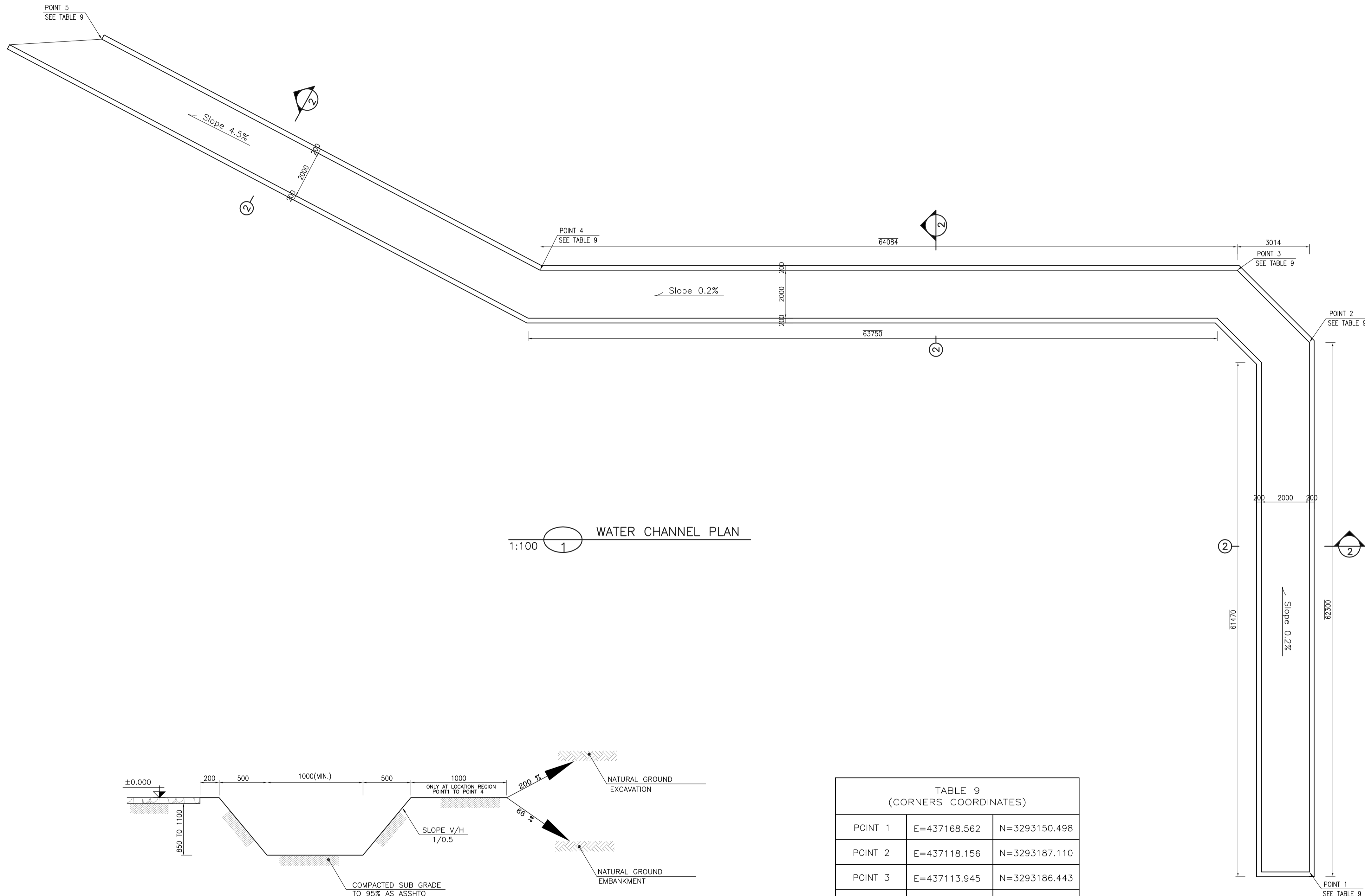
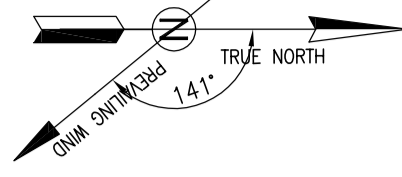
EPD/EPC CONTRACTOR(GC): PETROIRAN DEVELOPMENT COMPANY

DRAWING TITLE: CIVIL AND STRUCTURAL DRAWINGS-W028S OBM WASTE PIT FORMWORK & REINFORCEMENT-SECTION

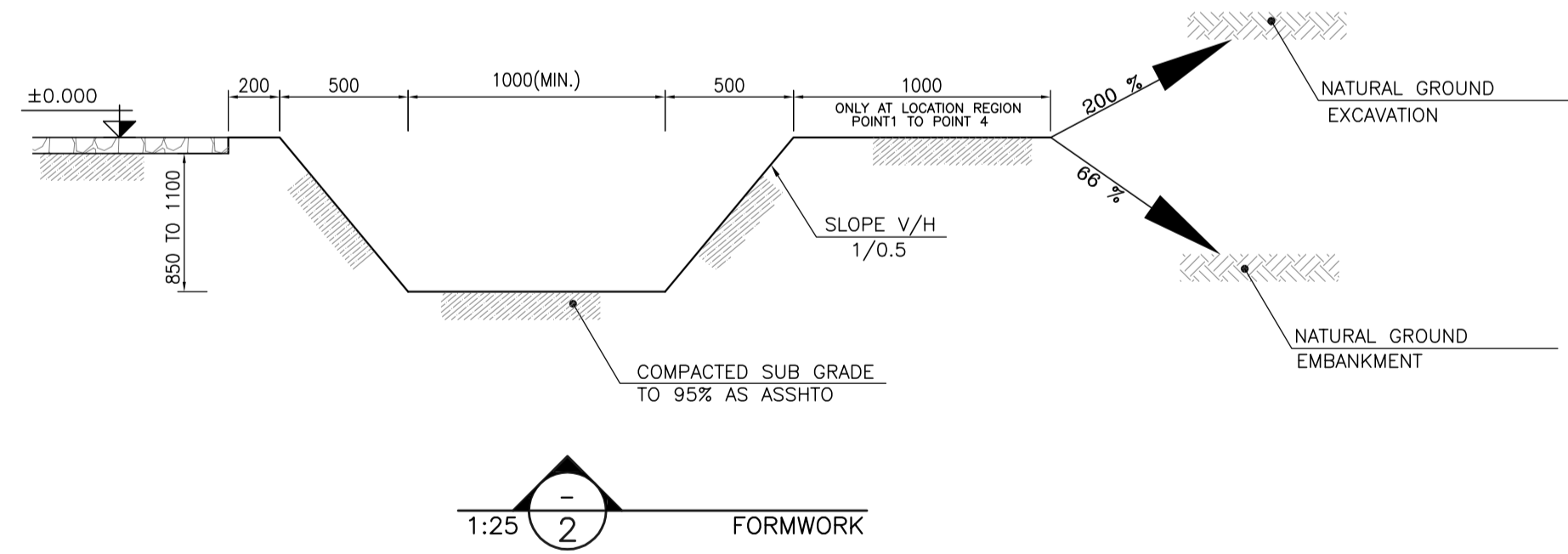
SCALE	SIZE	DRAWING NO.	SHEET NO.	REV.	BUDGET REF.	LOCATION	SIZE CLASS	SERIAL NO.	SHEET	REVISION
AS SHOWN	A1	BK-W028-PEDCO-110-CV-PY-0002	15 OF 42	D05	053-073-9184	F	4	S	707548	15

NO CONSTRUCTION PERMITTED UNLESS DRAWING APPROVED			
APPROVED FOR CONSTRUCTION		BY:	DATE:
DATE	SCALE	DRAWING BY	CHECKED BY

TOTALLY REVISED



1:100 WATER CHANNEL PLAN



1:25 FORMWORK

TABLE 9
(CORNERS COORDINATES)

POINT	E	N
POINT 1	E=437168.562	N=3293150.498
POINT 2	E=437118.156	N=3293187.110
POINT 3	E=437113.945	N=3293186.443
POINT 4	E=437076.284	N=3293134.594
POINT 5	E=437035.308	N=3293114.433

- NOTES**
- ALL COORDINATES ARE IN METER.
 - ALL DIMENSIONS ARE IN MILLIMETERS AND ELEVATIONS ARE IN METER.
 - ALL DRAWINGS SHALL BE CHECKED BY CONTRACTOR WITH RELATIVE DRAWINGS BEFORE CONSTRUCTION.
 - ACCORDING TO THE SPECIFICATION OF CONCRETE WORKS:
"BK-GNRL-PEDCO-000-ST-SP-0001", 28 DAYS CHARACTERISTIC COMPRESSIVE STRENGTH OF MAIN CONCRETE IS 25 MPa (ON CYLINDRICAL SPECIMEN)
 - ACCORDING TO THE SPECIFICATION OF CONCRETE WORKS:
"BK-GNRL-PEDCO-000-ST-SP-0001", 28 DAYS CHARACTERISTIC COMPRESSIVE STRENGTH OF LEAN CONCRETE IS 15 MPa (ON CYLINDRICAL SPECIMEN)
 - REINFORCING BARS SHALL BE S400 ACCORDING TO: ISIRI3132 AND INBC9 WITH MINIMUM TENSILE YIELD STRENGTH 400 N/mm²
 - MINIMUM FOUNDATION NET CONCRETE COVER SHALL BE 75 mm.
 - SPECIFICATIONS OF THERMO PLAST ACRYLIC COLOR, BASED ON No.3758 NATIONAL STANDARD CODE:
DENSITY : 4.1-5.1 gr/cm³
THICKNESS : 300-400 MICRON
GLOSS : DULL
SOLID MATERIAL PERCENTAGE BY WEIGHT : 75%±2
SOLID MATERIAL PERCENTAGE BY VOLUME : 48%±2
 - JOINT SEALANT MATERIALS SHALL BE WETHER-RESISTANT POLYURETHANE OR SILICONE SCH AS "AEROLASTIC 1674" OR SIMILAR AND SHALL CONFORM TO BS-4254 FOR VERTICAL JOINTS IN WALLS.
 - CONTRACTION JOINTS SHALL BE CONSIDERED IN CONCRETE SLABS EVERY 6m.
 - GEODETIC PARAMETERS FOR COORDINATES ARE AS BELOW:
HORIZONTAL COORDINATE SYSTEM: WGS84/UTM ZONE 39
ELLIPSOID : WORLD GEODETIC SYSTEM 1984 (WGS84)
MAP PROJECTION: UNIVERSAL TRANSVERSE MERCATOR (UTM)
VERTICAL DATUM: MSL

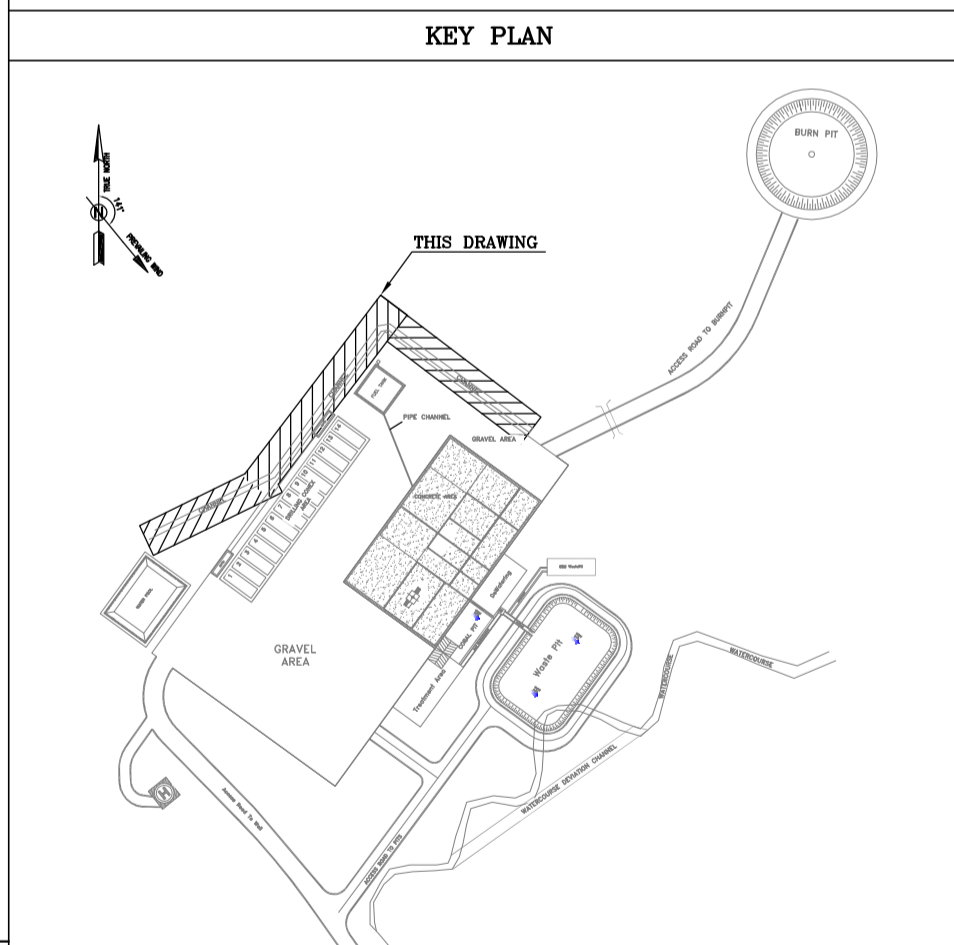
±0.00 = +31.00(R.G.L.)MSL

LEGEND AND ABBREVIATION

	REINFORCED CONCRETE	T.O.F.	TOP OF FOUNDATION
	LEAN CONCRETE	T.O.W.	TOP OF WALL
	CEMENT BLOCK WALL	T.O.C.	TOP OF CONCRETE
	GRAVEL	T.O.PIT	TOP OF PIT
	SUB GRADE	B.O.P.	BOTTOM OF PIPE
	SLOPE	R.G.L.	ROUGH GRADING LEVEL

REFERENCE DRAWING

REFERENCE DRAWING	DRG. No.
SPECIFICATION FOR FENCE & GATE	BK-GNRL-PEDCO-000-CV-SP-0003
GENERAL NOTES - STEEL STRUCTURES	BK-GNRL-PEDCO-000-ST-DW-0011
GENERAL NOTES - REINFORCED CONCRETE STRUCTURES	BK-GNRL-PEDCO-000-ST-DW-0012
GENERAL CIVIL LAYOUT - W028	BK-W028-PEDCO-110-CV-PY-0001
ROUGH GRADING PLANS - W028	BK-W028-PEDCO-110-CV-DW-0001
STANDARD DRAWING FOR CULVERT & DETAILS	BK-GNRL-PEDCO-000-CV-DW-0014
STANDARD DETAILS OF MISCELLANEOUS ITEMS	BK-GNRL-PEDCO-000-CV-DW-0040



REV.	DATE	DESCRIPTION	BY	DATE	BY	DATE
D05	JUL.2022	IFA	R. BERLOUEI	M.FAKHARIAN	M.MEHRSHAD	***
D04	JUN.2022	IFA	R. BERLOUEI	M.FAKHARIAN	M.MEHRSHAD	**
D03	MAY.2022	IFA	R. BERLOUEI	M.FAKHARIAN	M.MEHRSHAD	**
D02	MAR.2022	IFA	R. BERLOUEI	M.FAKHARIAN	M.MEHRSHAD	**
D01	NOV.2021	IFA	R. BERLOUEI	M.FAKHARIAN	M.MEHRSHAD	**
D00	OCT.2021	IPC	R. BERLOUEI	M.FAKHARIAN	SH.GHALIKAR	**

PROJECT NAME: BINAK OILFIELD DEVELOPMENT/SUB-SURFACE WORK PACKAGES W028 WELLHEAD FACILITIES

PROJECT NO.: 971020

EPC CONTRACTOR: HIRGAN ENERGY COMPANIES

EPD/EPC CONTRACTOR(GC): PETROIRAN DEVELOPMENT COMPANY

DRAWING TITLE: CIVIL AND STRUCTURAL DRAWINGS-W028S WATER CHANNEL FORMWORK PLAN-SECTION

SCALE	SIZE	DRAWING NO.	SHEET NO.	REV.	BUDGET REF.	LOCATION	SIZE CLASS	SERIAL NO.	SHEET	REVISION	
AS SHOWN	A1	BK-W028-PEDCO-110-CV-PY-0002	16 OF 42	D05	053-073-9184	F	4	S	707548	16	D05

اسم و کلیه نسخ این نقشه و حق اقتباس متعلق به شرکت ملی مناطق نفت خیز جنوب میباشد.

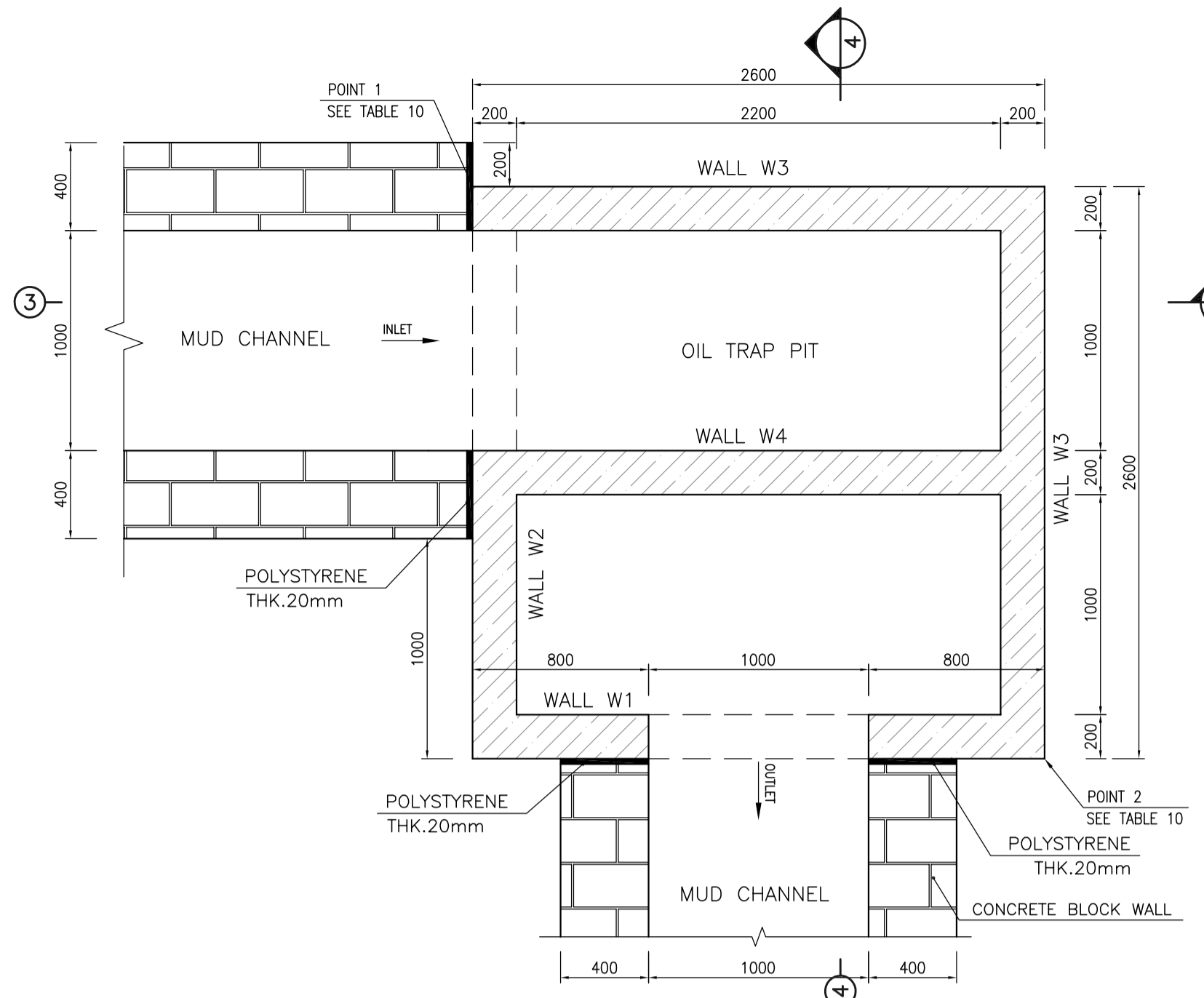
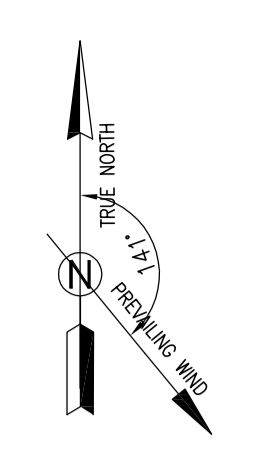
THE ORIGINAL AND ALL COPIES OF THIS DRAWING TOGETHER WITH THE COPYRIGHT THEREIN ARE THE SOLE PROPERTY OF N.I.S.O.C./ FIELDS

DATE	SCALE	DRAWING BY	CHECKED BY	PROJECT ENG.

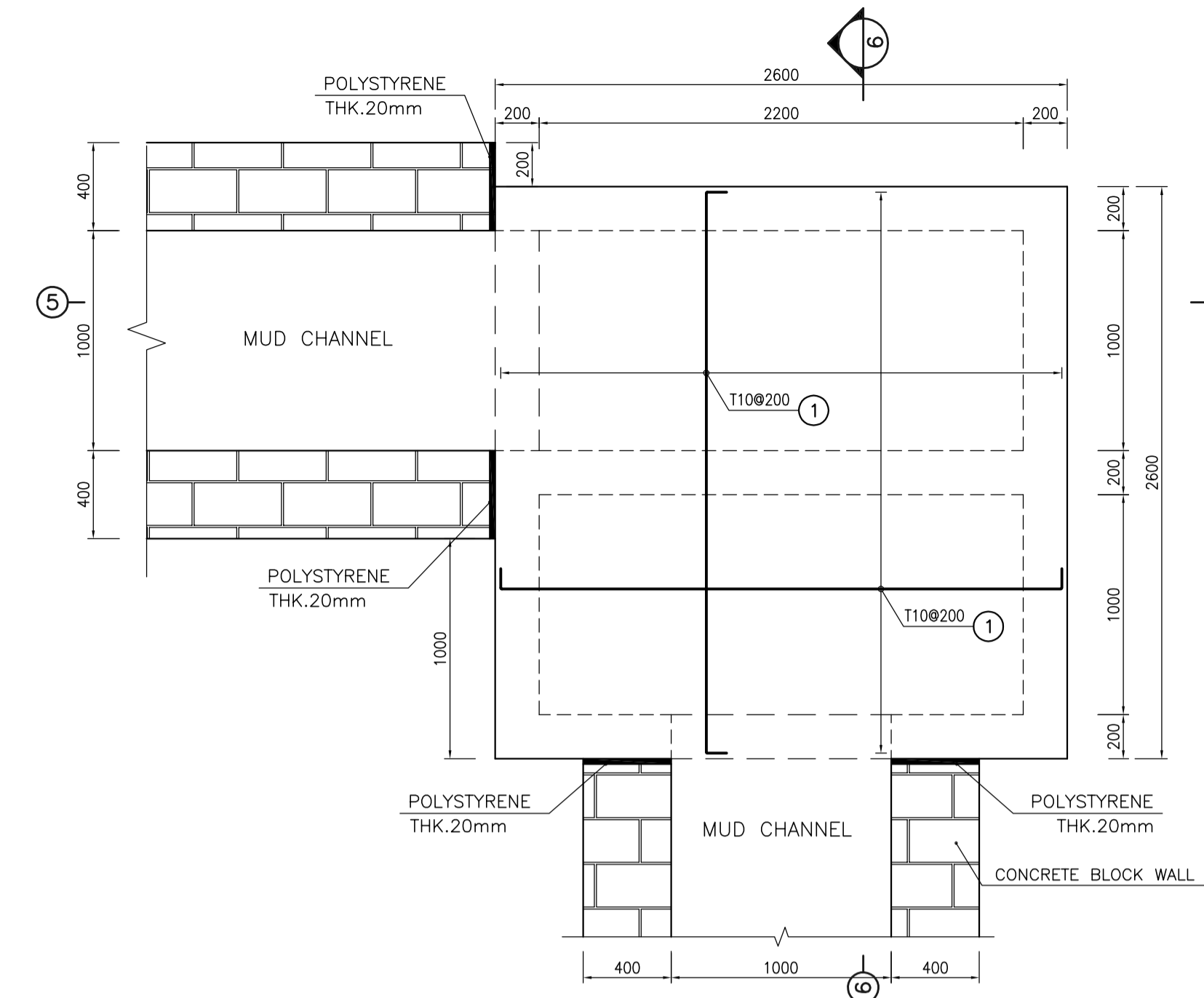
NO CONSTRUCTION PERMITTED UNLESS DRAWING APPROVED

APPROVED FOR CONSTRUCTION	BY:	DATE:

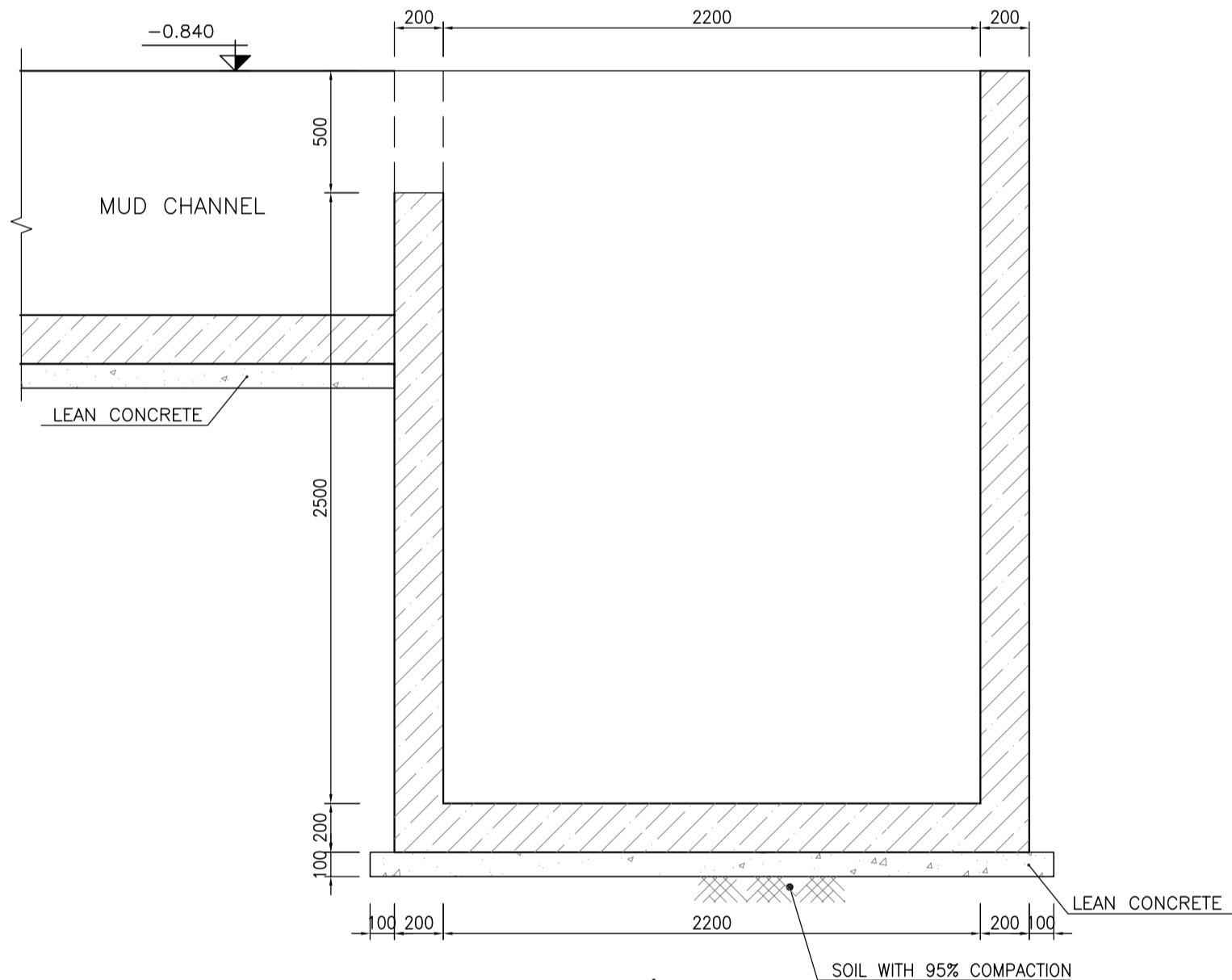
TOTALLY REVISED



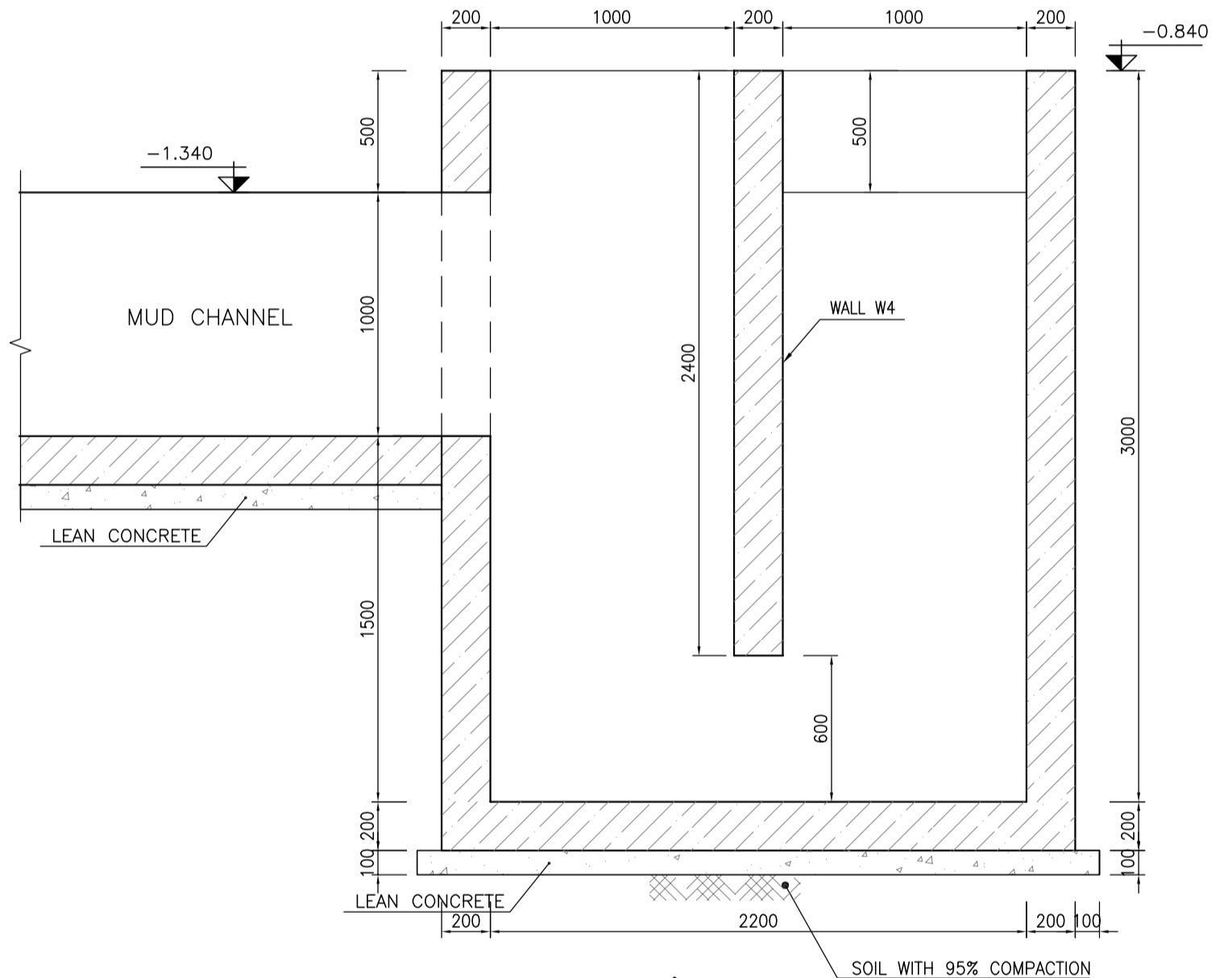
1:25 **1** OIL TRAP PIT PLAN FORMWORK



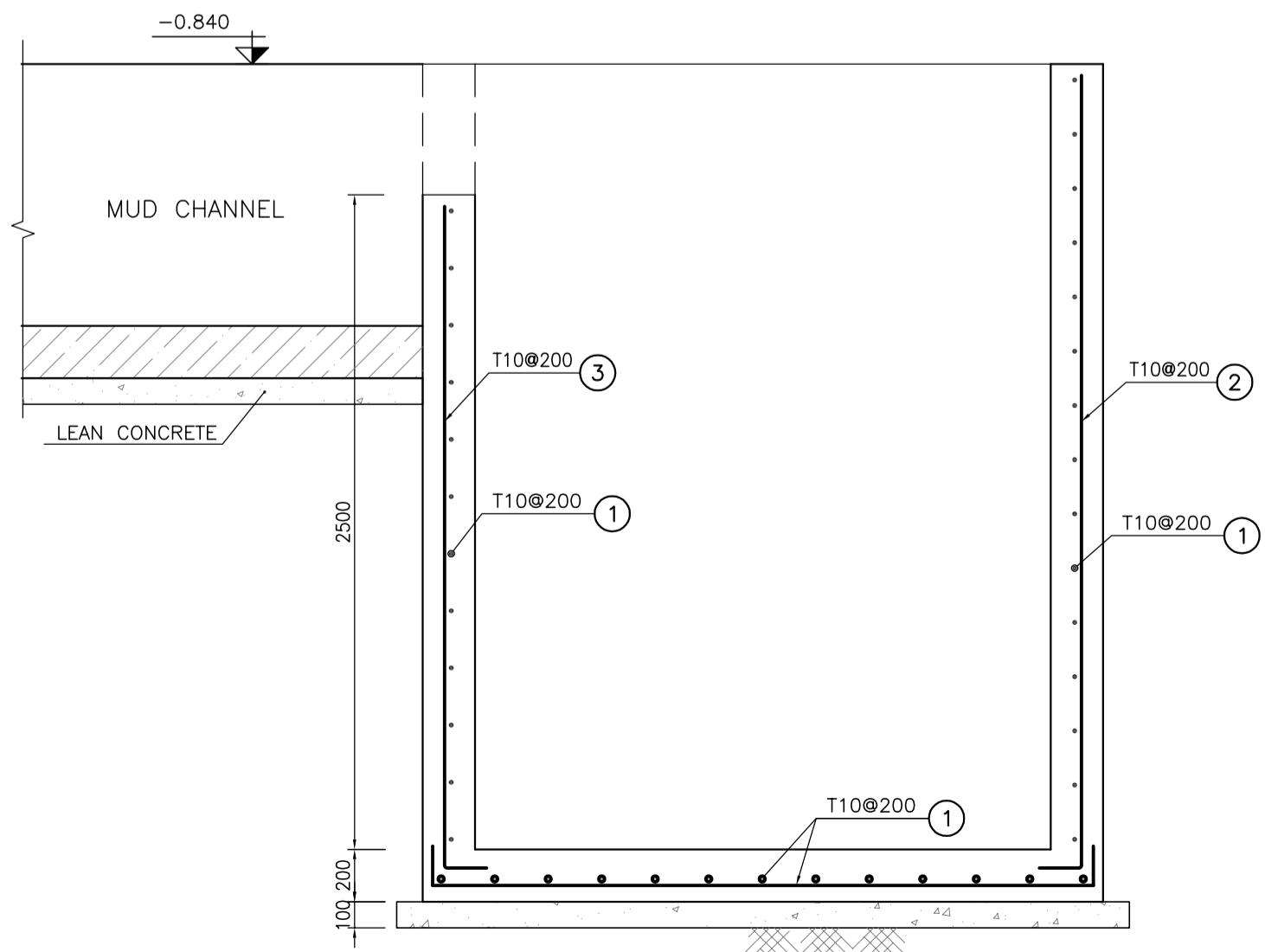
1:25 **2** OIL TRAP PIT PLAN REINFORCEMENT



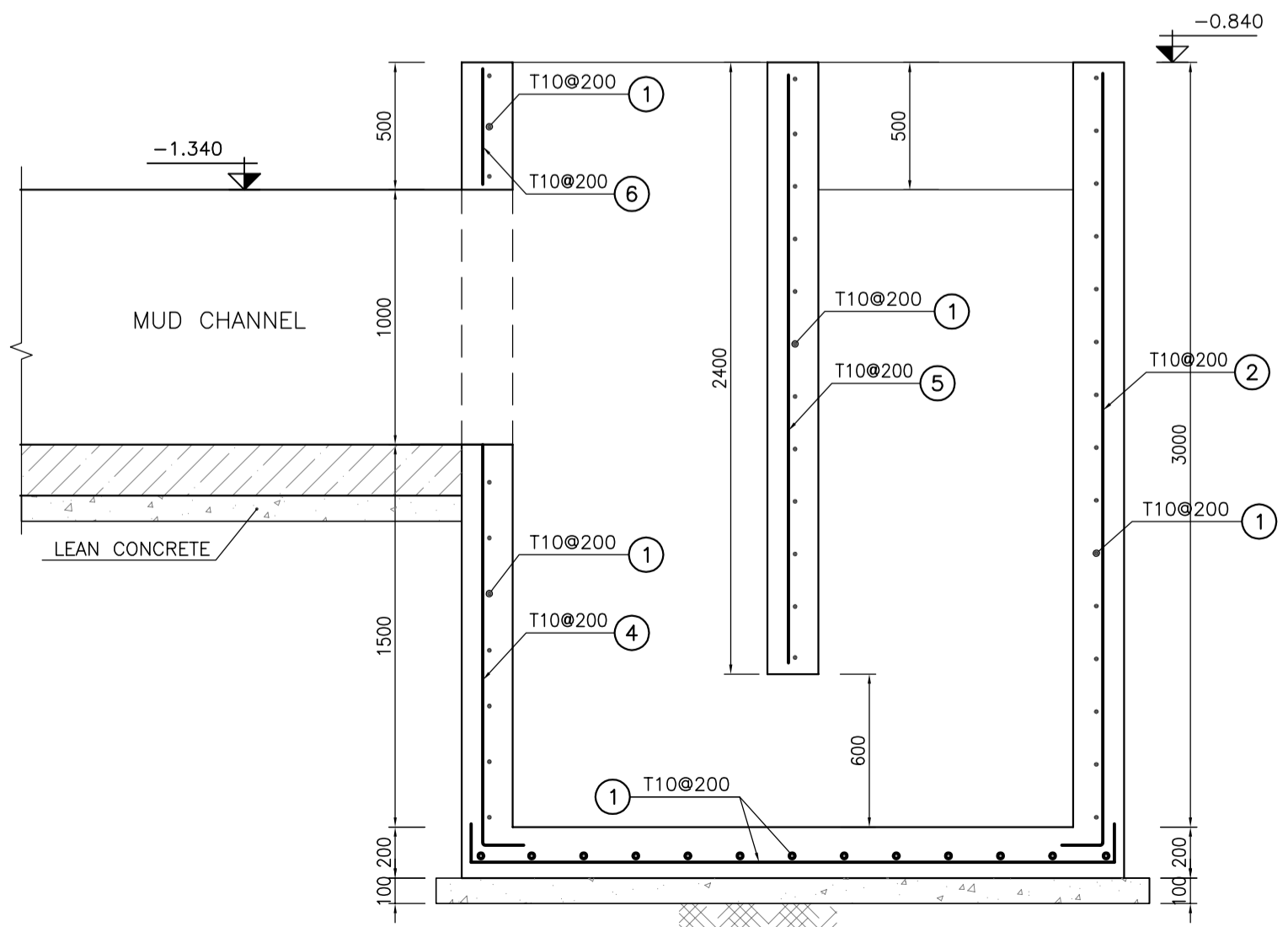
1:25 **3** FORMWORK



1:25 **4** FORMWORK



1:25 **5** REINFORCEMENT



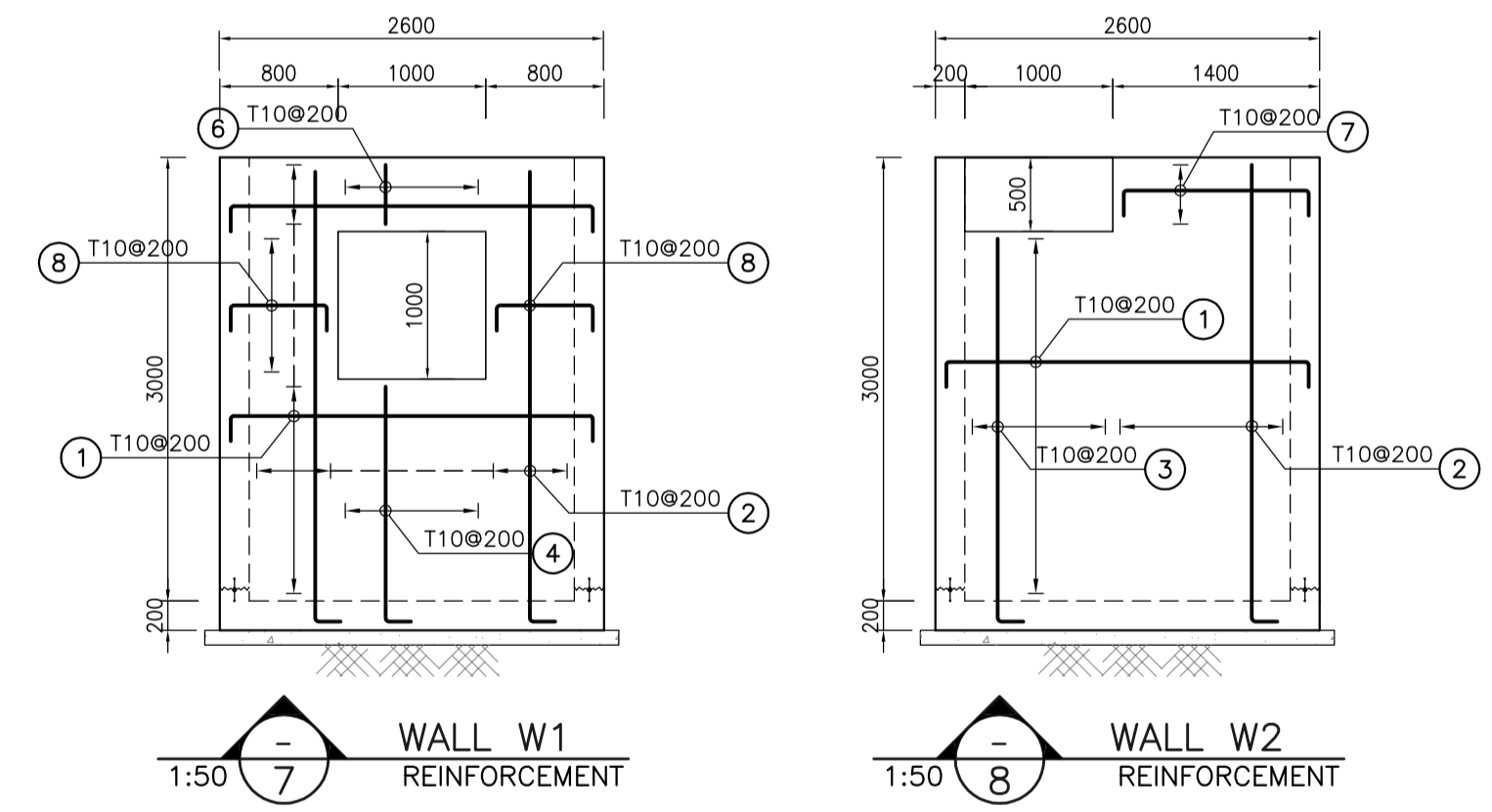
1:25 **6** REINFORCEMENT

TABLE 10
(CORNERS COORDINATES)

POINT 1	E=437156.364	N=3293084.891
POINT 2	E=437159.996	N=3293085.467

BAR BENDING SCHEDULE - OIL TRAP PIT

Pos	Spec.	Shape	L/A	No.	T10
1	T10	150 2450 150	2.75	90	247.50
2	T10	150 3050	3.20	40	128.0
3	T10	150 2050	2.20	5	11.0
4	T10	150 1550	1.70	5	8.50
5	T10	2250	2.25	10	22.50
6	T10	350	0.35	5	1.75
7	T10	150 1250 150	1.55	3	4.65
8	T10	150 650 150	0.95	10	9.50
TOTAL LENGTH OR AREA (m/m ²)					433.40
UNIT WEIGHT (Kg)					0.617
WEIGHT (Kg)					267.40
GRAND TOTAL (Kg)					270



1:50 **7** WALL W1 REINFORCEMENT

1:50 **8** WALL W2 REINFORCEMENT

- NOTES**
- ALL COORDINATES ARE IN METER.
 - ALL DIMENSIONS ARE IN MILLIMETERS AND ELEVATIONS ARE IN METER.
 - ALL DRAWINGS SHALL BE CHECKED BY CONTRACTOR WITH RELATIVE DRAWINGS BEFORE CONSTRUCTION.
 - ACCORDING TO THE SPECIFICATION OF CONCRETE WORKS: "BK-GNRL-PEDCO-000-ST-SP-0001", 28 DAYS CHARACTERISTIC COMPRESSIVE STRENGTH OF MAIN CONCRETE IS 25 MPa (ON CYLINDRICAL SPECIMEN)
 - ACCORDING TO THE SPECIFICATION OF CONCRETE WORKS: "BK-GNRL-PEDCO-000-ST-SP-0001", 28 DAYS CHARACTERISTIC COMPRESSIVE STRENGTH OF LEAN CONCRETE IS 15 MPa (ON CYLINDRICAL SPECIMEN)
 - REINFORCING BARS SHALL BE S400 ACCORDING TO: ISIRI3132 AND INBC9 WITH MINIMUM TENSILE YIELD STRENGTH 400 N/mm²
 - MINIMUM FOUNDATION NET CONCRETE COVER SHALL BE 75 mm.
 - SPECIFICATIONS OF THERMO PLAST ACRYLIC COLOR, BASED ON No.3758 NATIONAL STANDARD CODE: DENSITY : 4.1-5.1 gr/cm³ THICKNESS : 300-400 MICRON GLOSS : DULL SOLID MATERIAL PERCENTAGE BY WEIGHT : 75%±2 SOLID MATERIAL PERCENTAGE BY VOLUME : 48%±2
 - JOINT SEALANT MATERIALS SHALL BE WETHER-RESISTANT POLYURETHANE OR SILICONE SCH AS "AEROLASTIC 1674" OR SIMILAR AND SHALL CONFORM TO BS-4254 FOR VERTICAL JOINTS IN WALLS.
 - CONTRACTION JOINTS SHALL BE CONSIDERED IN CONCRETE SLABS EVERY 6m.
 - GEODETIC PARAMETERS FOR COORDINATES ARE AS BELOW:
HORIZONTAL COORDINATE SYSTEM: WGS84/UTM ZONE 39
ELLIPSOID : WORLD GEODETIC SYSTEM 1984 (WGS84)
MAP PROJECTION: UNIVERSAL TRANSVERSE MERCATOR (UTM)
VERTICAL DATUM: MSL

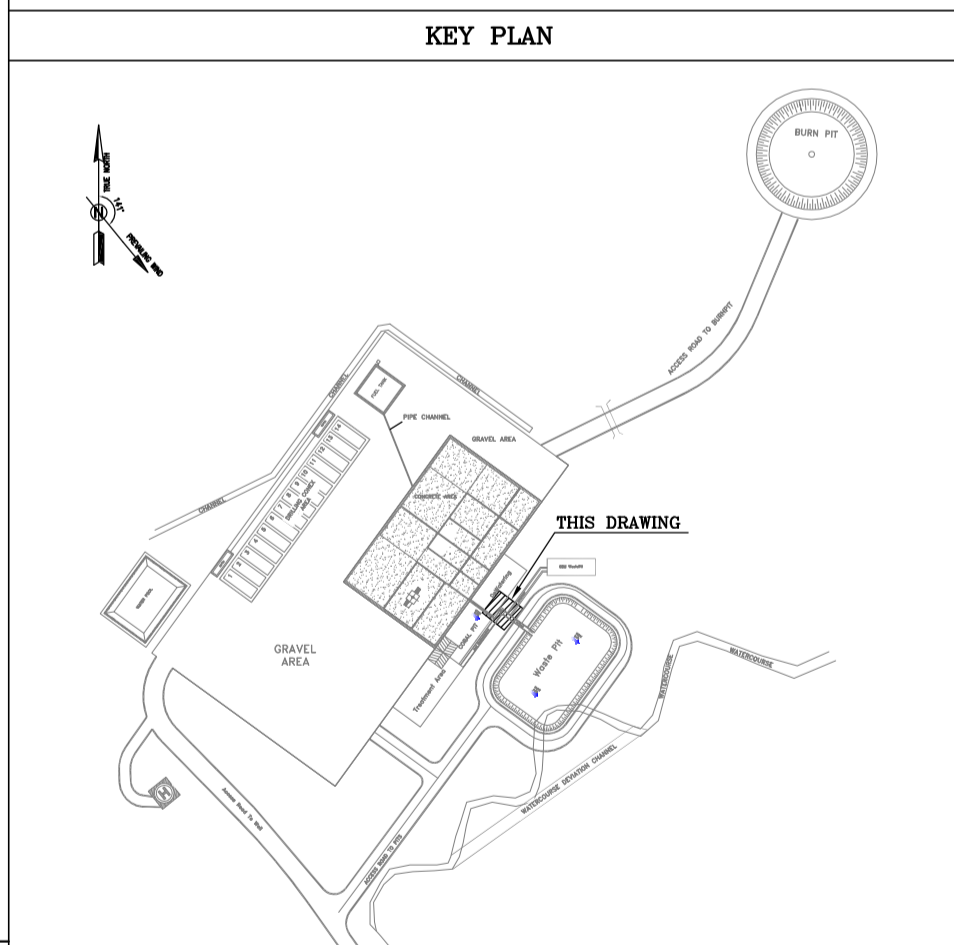
±0.00 = +31.00(R.G.L.)MSL

LEGEND AND ABBREVIATION

	REINFORCED CONCRETE	T.O.F.	TOP OF FOUNDATION
	LEAN CONCRETE	T.O.W.	TOP OF WALL
	CONCRETE BLOCK WALL	T.O.C.	TOP OF CONCRETE
	GRAVEL	T.O.PIT	TOP OF PIT
	SUB GRADE	B.O.P.	BOTTOM OF PIPE
	SLOPE	R.G.L.	ROUGH GRADING LEVEL

REFERENCE DRAWING

REFERENCE DRAWING	DRG. No.
SPECIFICATION FOR FENCE & GATE	BK-GNRL-PEDCO-000-CV-SP-0003
GENERAL NOTES - STEEL STRUCTURES	BK-GNRL-PEDCO-000-ST-DW-0011
GENERAL NOTES - REINFORCED CONCRETE STRUCTURES	BK-GNRL-PEDCO-000-ST-DW-0012
GENERAL CIVIL LAYOUT - W028	BK-W028-PEDCO-110-CV-PY-0001
ROUGH GRADING PLANS - W028	BK-W028-PEDCO-110-CV-DW-0001
STANDARD DRAWING FOR CULVERT & DETAILS	BK-GNRL-PEDCO-000-CV-DW-0014
STANDARD DETAILS OF MISCELLANEOUS ITEMS	BK-GNRL-PEDCO-000-CV-DW-0040



REV.	DATE	P.O.I.S	PREP.	CHK.	APP.	AUT.
D05	JUL.2022	IFA	R. BERLOUEI	M.FAKHARIAN	M.MEHRSHAD	***
D04	JUN.2022	IFA	R. BERLOUEI	M.FAKHARIAN	M.MEHRSHAD	***
D03	MAY.2022	IFA	R. BERLOUEI	M.FAKHARIAN	M.MEHRSHAD	***
D02	MAR.2022	IFA	R. BERLOUEI	M.FAKHARIAN	M.MEHRSHAD	***
D01	NOV.2021	IFA	R. BERLOUEI	M.FAKHARIAN	M.MEHRSHAD	***
D00	OCT.2021	IPC	R. BERLOUEI	M.FAKHARIAN	SH.GHALIKAR	***

PROJECT NAME: BINAK OILFIELD DEVELOPMENT/SUB-SURFACE WORK PACKAGES W028 WELLHEAD FACILITIES

PROJECT NO.: 971020

EPC CONTRACTOR: HIRGAN ENERGY - DESIGN & INSPECTION COMPANIES

EPD/EPC CONTRACTOR(GC): PETROIRAN DEVELOPMENT COMPANY

DRAWING TITLE: CIVIL AND STRUCTURAL DRAWINGS-W028S OIL TRAP PIT FORMWORK & REINFORCEMENT PLAN-SECTIONS

SCALE	SIZE	DRAWING NO.	SHEET NO.	REV.	BUDGET REF.	LOCATION	SIZE CLASS	SERIAL NO.	SHEET	REVISION
AS SHOWN	A1	BK-W028-PEDCO-110-CV-PY-0002	17 OF 42	D05	053-073-9184	F	4	S	707548	17 D05

اسم و کلیه نسخ این نقشه و حق اقتباس متعلق به شرکت ملی مناطق نفت خیز جنوب میباشد.

THE ORIGINAL AND ALL COPIES OF THIS DRAWING TOGETHER WITH THE COPYRIGHT THEREIN ARE THE SOLE PROPERTY OF N.I.S.O.C./ FIELDS

BINAK OILFIELD DEVELOPMENT SUB-SURFACE WORK PACKAGES W028 WELLHEAD FACILITIES

DATE	SCALE	DRAWING BY	CHECKED BY	PROJECT ENG.

NO CONSTRUCTION PERMITTED UNLESS DRAWING APPROVED

APPROVED FOR CONSTRUCTION	BY:	DATE:

TOTALLY REVISED

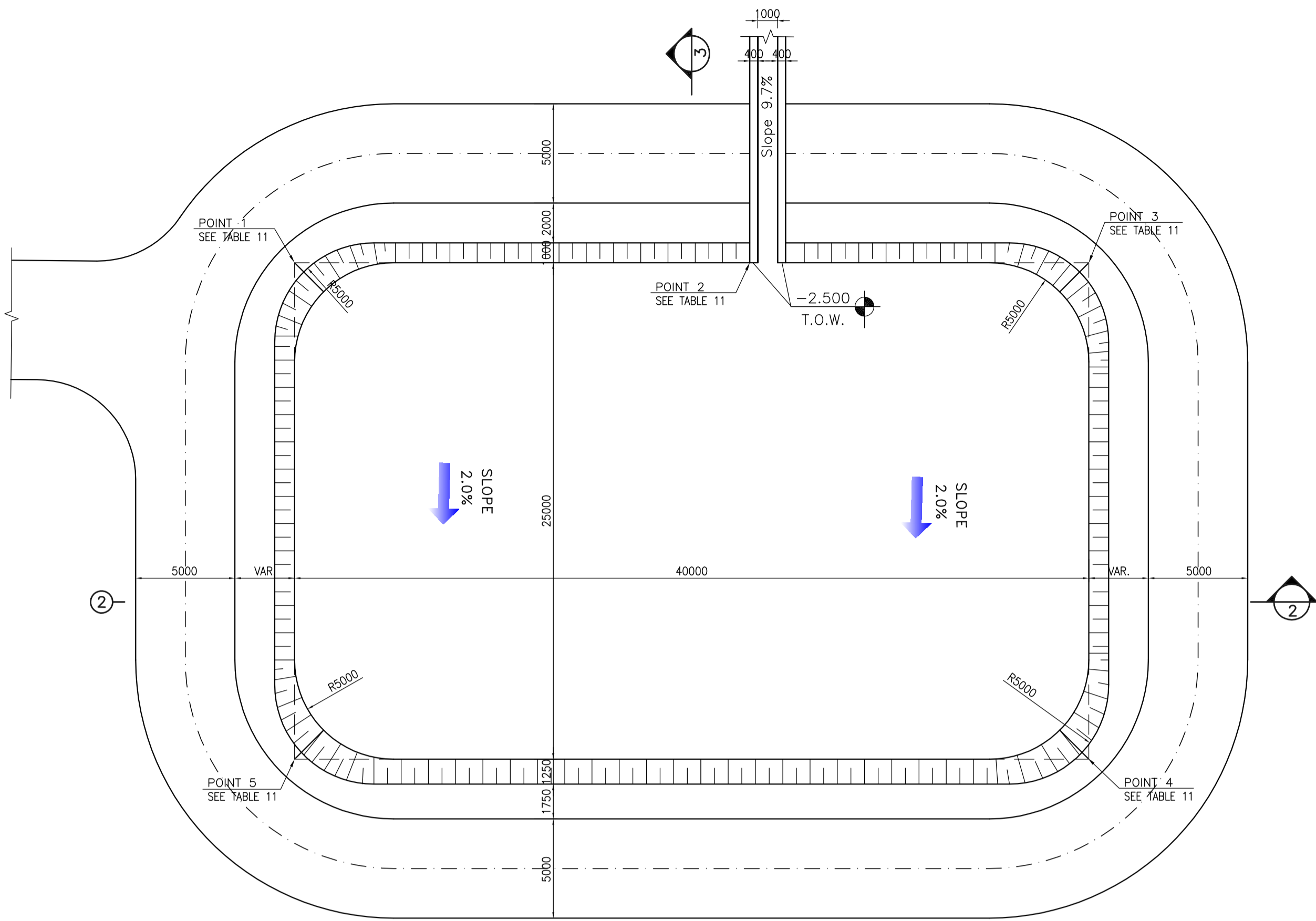
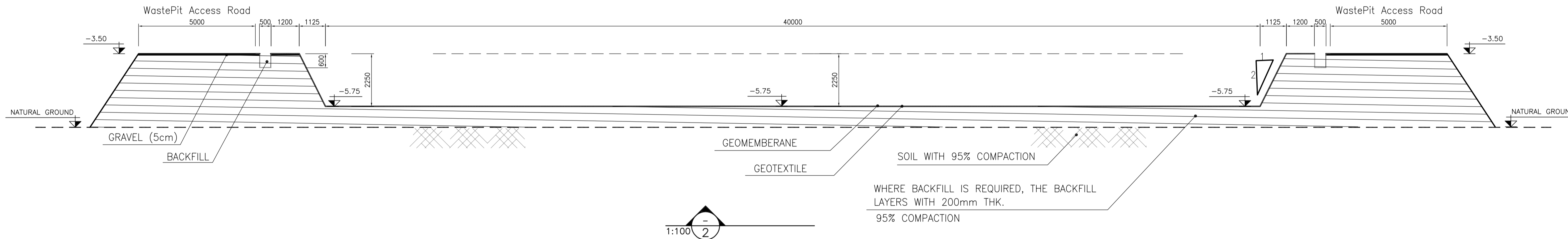


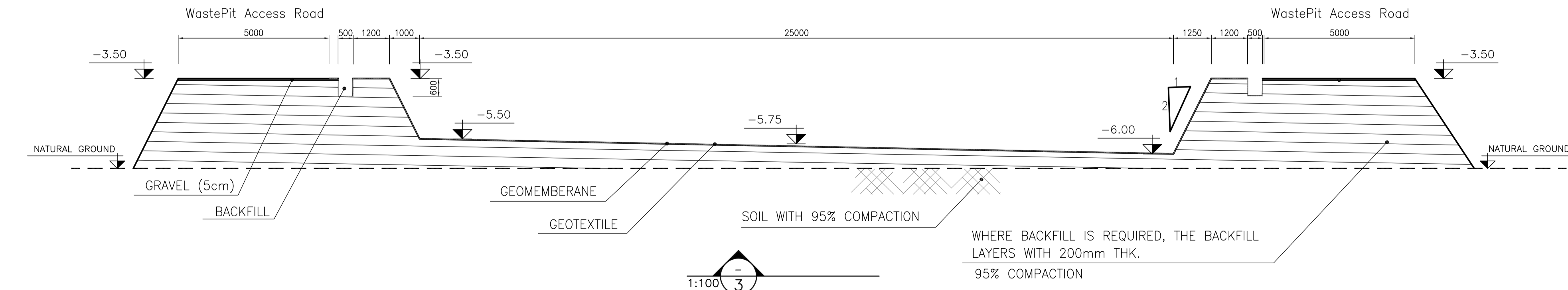
TABLE 11
(CORNERS COORDINATES)

POINT 1	E=437154.586	N=3293058.342
POINT 2	E=437168.059	N=3293076.891
POINT 3	E=437178.093	N=3293090.706
POINT 4	E=437198.321	N=3293076.014
POINT 5	E=437174.813	N=3293043.650

WASTE PIT PLAN
1:200



1:100



1:100

TOTALLY REVISED

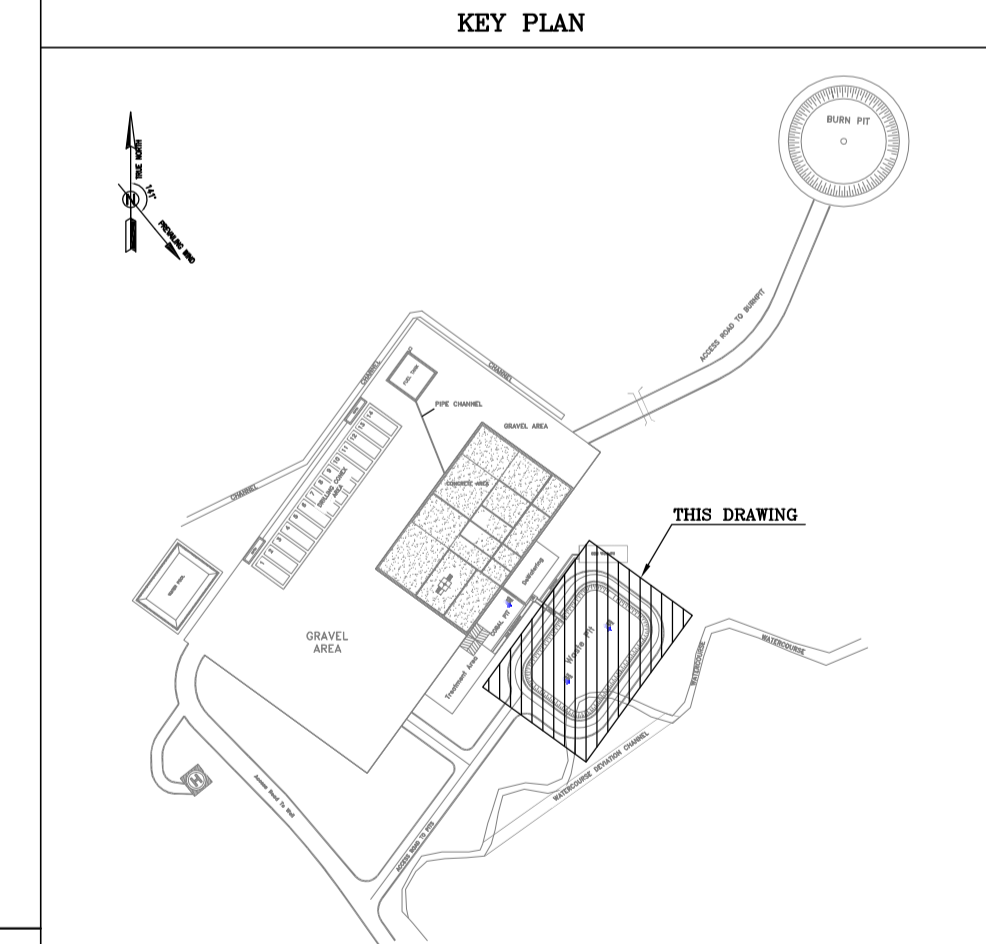
- NOTES**
- ALL COORDINATES ARE IN METER.
 - ALL DIMENSIONS ARE IN MILLIMETERS AND ELEVATIONS ARE IN METER.
 - ALL DRAWINGS SHALL BE CHECKED BY CONTRACTOR WITH RELATIVE DRAWINGS BEFORE CONSTRUCTION.
 - ACCORDING TO THE SPECIFICATION OF CONCRETE WORKS:
"BK-GNRL-PEDCO-000-ST-SP-0001", 28 DAYS CHARACTERISTIC COMPRESSIVE STRENGTH OF MAIN CONCRETE IS 25 MPa (ON CYLINDRICAL SPECIMEN)
 - ACCORDING TO THE SPECIFICATION OF CONCRETE WORKS:
"BK-GNRL-PEDCO-000-ST-SP-0001", 28 DAYS CHARACTERISTIC COMPRESSIVE STRENGTH OF LEAN CONCRETE IS 15 MPa (ON CYLINDRICAL SPECIMEN)
 - REINFORCING BARS SHALL BE S400 ACCORDING TO: ISIRI3132 AND INBC9 WITH MINIMUM TENSILE YIELD STRENGTH 400 N/mm²
 - MINIMUM FOUNDATION NET CONCRETE COVER SHALL BE 75 mm.
 - SPECIFICATIONS OF THERMO PLAST ACRYLIC COLOR, BASED ON No.3758 NATIONAL STANDARD CODE:
DENSITY : 4.1-5.1 gr/cm³
THICKNESS : 300-400 MICRON
GLOSS : DULL
SOLID MATERIAL PERCENTAGE BY WEIGHT : 75%±2
SOLID MATERIAL PERCENTAGE BY VOLUME : 48%±2
 - JOINT SEALANT MATERIALS SHALL BE WETHER-RESISTANT POLYURETHANE OR SILICONE SCH AS "AEROLASTIC 1674" OR SIMILAR AND SHALL CONFORM TO BS-4254 FOR VERTICAL JOINTS IN WALLS.
 - CONTRACTION JOINTS SHALL BE CONSIDERED IN CONCRETE SLABS EVERY 6m.
 - GEODETIC PARAMETERS FOR COORDINATES ARE AS BELOW:
HORIZONTAL COORDINATE SYSTEM: WGS84/UTM ZONE 39
ELLIPSOID : WORLD GEODETIC SYSTEM 1984 (WGS84)
MAP PROJECTION: UNIVERSAL TRANSVERSE MERCATOR (UTM)
VERTICAL DATUM: MSL
- ±0.00 = +31.00(R.G.L.)MSL

LEGEND AND ABBREVIATION

	REINFORCED CONCRETE	T.O.F.	TOP OF FOUNDATION
	LEAN CONCRETE	T.O.W.	TOP OF WALL
	CEMENT BLOCK WALL	T.O.C.	TOP OF CONCRETE
	GRAVEL	T.O.PIT	TOP OF PIT
	SUB GRADE	B.O.P.	BOTTOM OF PIPE
	SLOPE	R.G.L.	ROUGH GRADING LEVEL

REFERENCE DRAWING

REFERENCE DRAWING	DRG. No.
SPECIFICATION FOR FENCE & GATE	BK-GNRL-PEDCO-000-CV-SP-0003
GENERAL NOTES - STEEL STRUCTURES	BK-GNRL-PEDCO-000-ST-DW-0011
GENERAL NOTES - REINFORCED CONCRETE STRUCTURES	BK-GNRL-PEDCO-000-ST-DW-0012
GENERAL CIVIL LAYOUT -W028	BK-W028-PEDCO-110-CV-PY-0001
ROUGH GRADING PLANS -W028	BK-W028-PEDCO-110-CV-DW-0001
STANDARD DRAWING FOR CULVERT & DETAILS	BK-GNRL-PEDCO-000-CV-DW-0014
STANDARD DETAILS OF MISCELLANEOUS ITEMS	BK-GNRL-PEDCO-000-CV-DW-0040



REV.	DATE	P.O.I.S	PREP.	CHK.	APP.	AUT.
D05	JUL.2022	IFA	R. BERLOUEI	M.FAKHARIAN	M.MEHRSHAD	***
D04	JUN.2022	IFA	R. BERLOUEI	M.FAKHARIAN	M.MEHRSHAD	***
D03	MAY.2022	IFA	R. BERLOUEI	M.FAKHARIAN	M.MEHRSHAD	***
D02	MAR.2022	IFA	R. BERLOUEI	M.FAKHARIAN	M.MEHRSHAD	***
D01	NOV.2021	IFA	R. BERLOUEI	M.FAKHARIAN	M.MEHRSHAD	***
D00	OCT.2021	IFC	R. BERLOUEI	M.FAKHARIAN	SH.GHALIKAR	***

اصل و کلیه نسخ این نقشه و حق اقتباس متعلق به شرکت ملی مناطق نفت خیز جنوب میباشد.
THE ORIGINAL AND ALL COPIES OF THIS DRAWING TOGETHER WITH THE COPYRIGHT THEREIN ARE THE SOLE PROPERTY OF N.I.S.O.C./ FIELDS

PROJECT NAME: BINAK OILFIELD DEVELOPMENT/SUB-SURFACE WORK PACKAGES W028 WELLHEAD FACILITIES

PROJECT NO.: 971020

EPC CONTRACTOR: HIRGAN ENERGY - DESIGN & INSPECTION COMPANIES

EPD/EPC CONTRACTOR(GC): PETROIRAN DEVELOPMENT COMPANY

DRAWING TITLE: CIVIL AND STRUCTURAL DRAWINGS-W028S WASTE PIT PLAN-SECTIONS

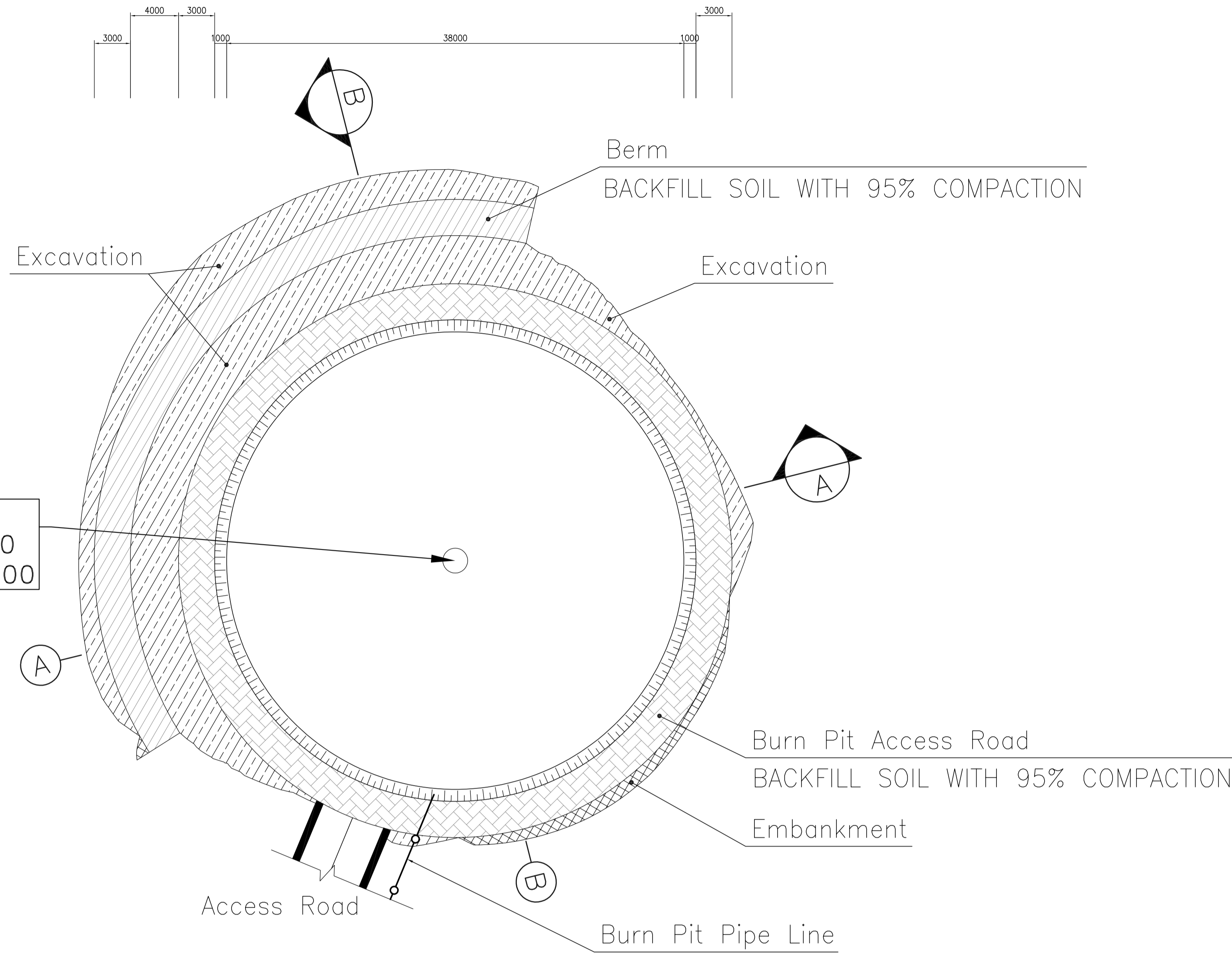
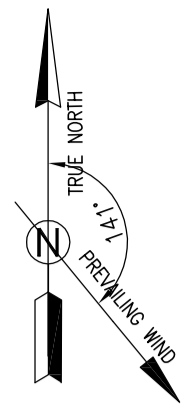
SCALE	SIZE	DRAWING NO.	SHEET NO.	REV.	BUDGET REF.	LOCATION	SIZE CLASS	SERIAL NO.	SHEET	REVISION
AS SHOWN	A1	BK-W028-PEDCO-110-CV-PY-0002	18 OF 42	D05	053-073-9184	F	4	S	707548	18 D05

BINAK OILFIELD DEVELOPMENT SUB-SURFACE WORK PACKAGES W028 WELLHEAD FACILITIES

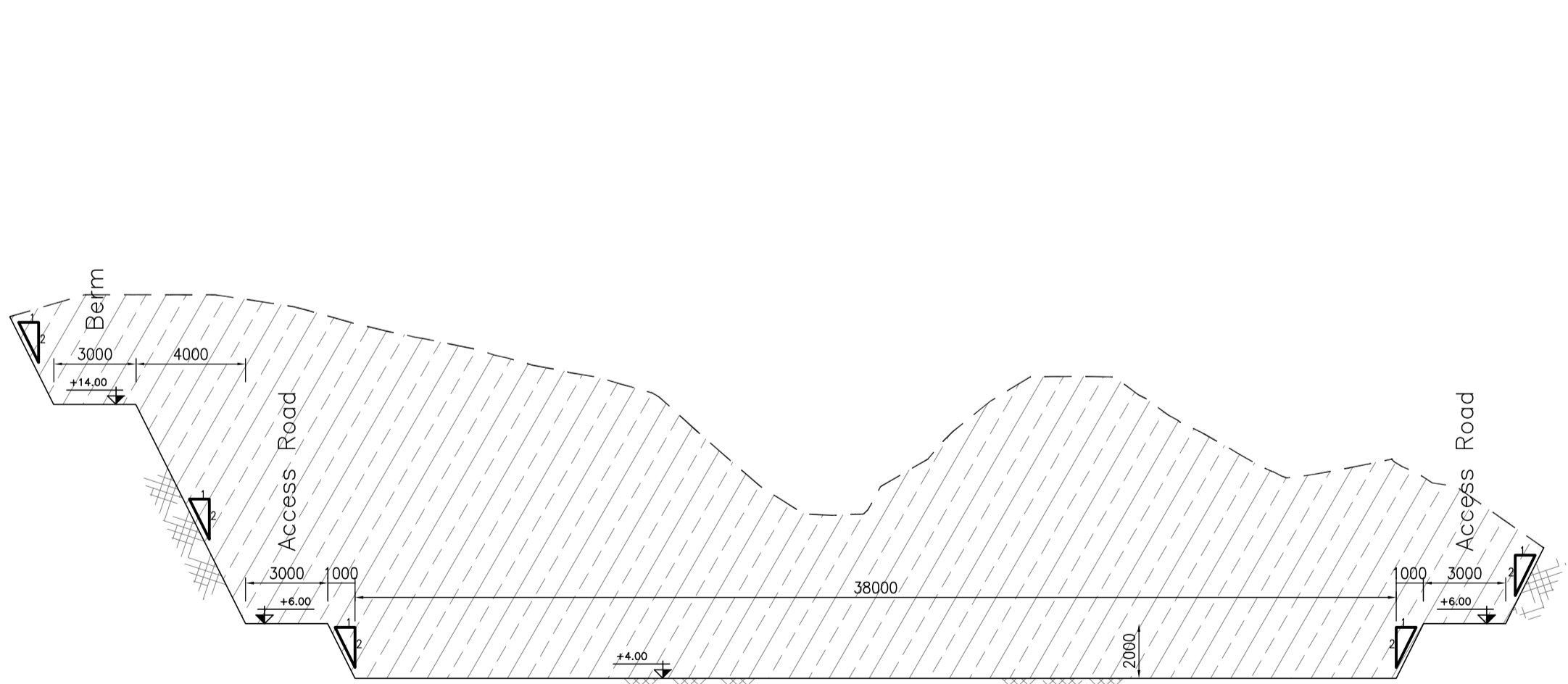
DATE	SCALE	DRAWING BY	CHECKED BY	PROJECT ENG.

NO CONSTRUCTION PERMITTED UNLESS DRAWING APPROVED

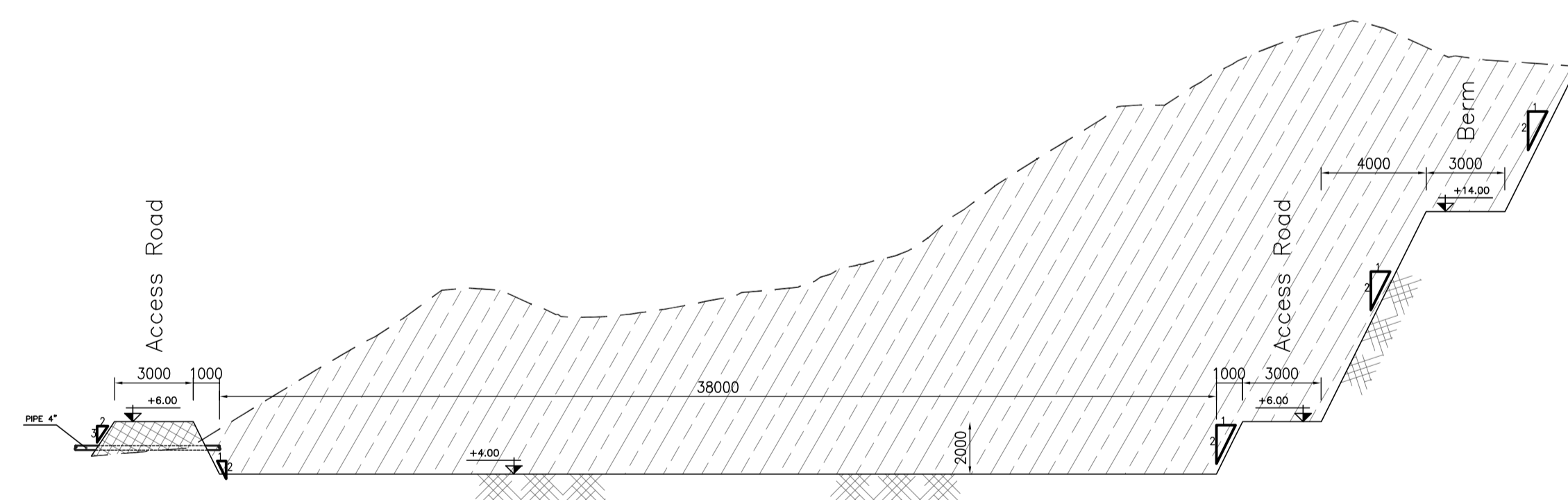
APPROVED FOR CONSTRUCTION	BY:	DATE:



1:250 BURN PIT PLAN



1:200 BURN PIT SECTION



1:200 BURN PIT SECTION

- NOTES**
- 1- ALL COORDINATES ARE IN METER.
 - 2- ALL DIMENSIONS ARE IN MILLIMETERS AND ELEVATIONS ARE IN METER.
 - 3- ALL DRAWINGS SHALL BE CHECKED BY CONTRACTOR WITH RELATIVE DRAWINGS BEFORE CONSTRUCTION.
 - 4- ACCORDING TO THE SPECIFICATION OF CONCRETE WORKS: "BK-GNRL-PEDCO-000-ST-SP-0001", 28 DAYS CHARACTERISTIC COMPRESSIVE STRENGTH OF MAIN CONCRETE IS 25 MPa (ON CYLINDRICAL SPECIMEN)
 - 5- ACCORDING TO THE SPECIFICATION OF CONCRETE WORKS: "BK-GNRL-PEDCO-000-ST-SP-0001", 28 DAYS CHARACTERISTIC COMPRESSIVE STRENGTH OF LEAN CONCRETE IS 15 MPa (ON CYLINDRICAL SPECIMEN)
 - 6- REINFORCING BARS SHALL BE S400 ACCORDING TO: ISIRI3132 AND INBC9 WITH MINIMUM TENSILE YIELD STRENGTH 400 N/mm²
 - 7- MINIMUM FOUNDATION NET CONCRETE COVER SHALL BE 75 mm.
 - 8- SPECIFICATIONS OF THERMO PLAST ACRYLIC COLOR, BASED ON No.3758 NATIONAL STANDARD CODE:
DENSITY : 4.1-5.1 gr/cm³
THICKNESS : 300-400 MICRON
GLOSS : DULL
SOLID MATERIAL PERCENTAGE BY WEIGHT : 75%±2
SOLID MATERIAL PERCENTAGE BY VOLUME : 48%±2
 - 9- JOINT SEALANT MATERIALS SHALL BE WETHER-RESISTANT POLYURETHANE OR SILICONE SCH AS "AEROLASTIC 1674" OR SIMILAR AND SHALL CONFORM TO BS-4254 FOR VERTICAL JOINTS IN WALLS.
 - 10- CONTRACTION JOINTS SHALL BE CONSIDERED IN CONCRETE SLABS EVERY 6m.
 - 11- GEODETIC PARAMETERS FOR COORDINATES ARE AS BELOW:
HORIZONTAL COORDINATE SYSTEM: WGS84/UTM ZONE 39
ELLIPSOID : WORLD GEODETIC SYSTEM 1984 (WGS84)
MAP PROJECTION: UNIVERSAL TRANSVERSE MERCATOR (UTM)
VERTICAL DATUM: MSL

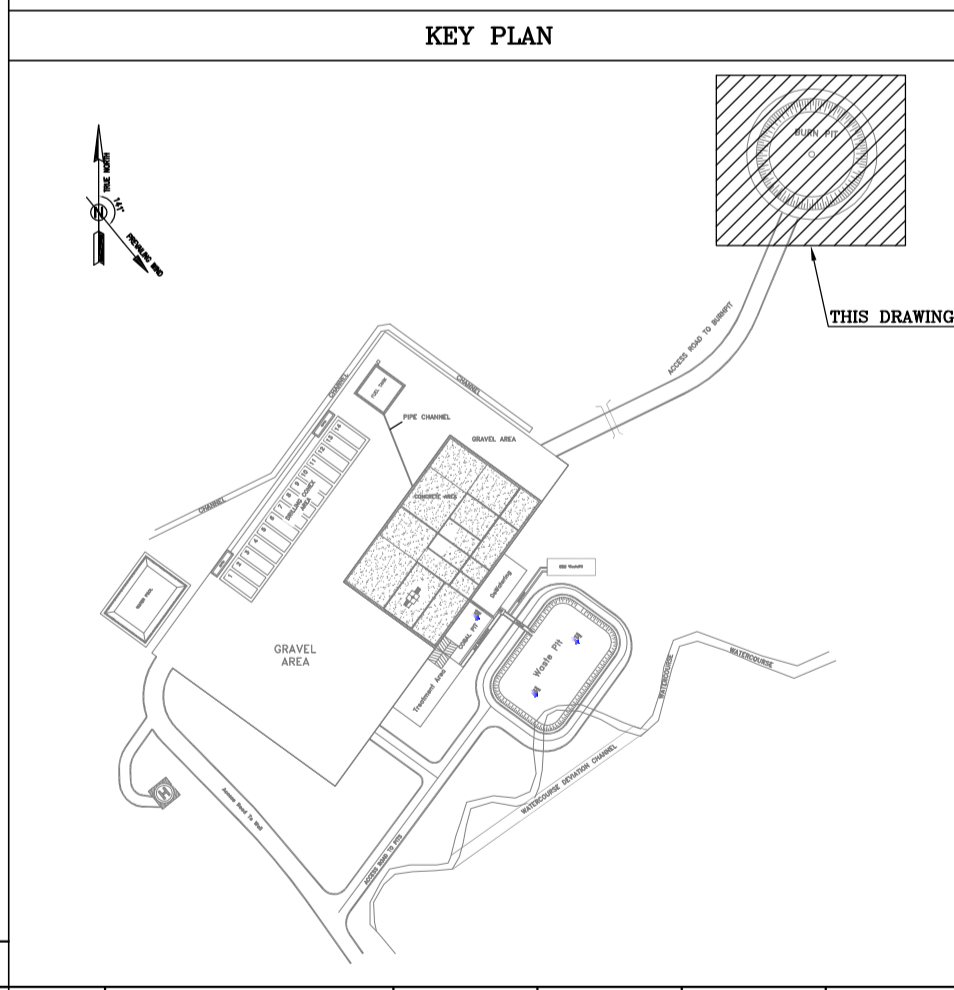
±0.00 = +31.00(R.G.L.)MSL

LEGEND AND ABBREVIATION

	REINFORCED CONCRETE	T.O.F.	TOP OF FOUNDATION
	LEAN CONCRETE	T.O.W.	TOP OF WALL
	CEMENT BLOCK WALL	T.O.C.	TOP OF CONCRETE
	GRAVEL	T.O.PIT	TOP OF PIT
	SUB GRADE	B.O.P.	BOTTOM OF PIPE
	SLOPE	R.G.L.	ROUGH GRADING LEVEL
	Excavation		
	Embankment		
	Berm		

REFERENCE DRAWING

REFERENCE DRAWING	DRG. No.
SPECIFICATION FOR FENCE & GATE	BK-GNRL-PEDCO-000-CV-SP-0003
GENERAL NOTES - STEEL STRUCTURES	BK-GNRL-PEDCO-000-ST-DW-0011
GENERAL NOTES - REINFORCED CONCRETE STRUCTURES	BK-GNRL-PEDCO-000-ST-DW-0012
GENERAL CIVIL LAYOUT - W028	BK-W028-PEDCO-110-CV-PY-0001
ROUGH GRADING PLANS - W028	BK-W028-PEDCO-110-CV-DW-0001
STANDARD DRAWING FOR CULVERT & DETAILS	BK-GNRL-PEDCO-000-CV-DW-0014
STANDARD DETAILS OF MISCELLANEOUS ITEMS	BK-GNRL-PEDCO-000-CV-DW-0040



REV.	DATE	P.O.I.S	PREP.	CHK.	APP.	AUT.
D05	JUL.2022	IFA	R. BERLOUEI	M.FAKHARIAN	M.MEHRSHAD	** **
D04	JUN.2022	IFA	R. BERLOUEI	M.FAKHARIAN	M.MEHRSHAD	** **
D03	MAY.2022	IFA	R. BERLOUEI	M.FAKHARIAN	M.MEHRSHAD	** **
D02	MAR.2022	IFA	R. BERLOUEI	M.FAKHARIAN	M.MEHRSHAD	** **
D01	NOV.2021	IFA	R. BERLOUEI	M.FAKHARIAN	M.MEHRSHAD	** **
D00	OCT.2021	IFC	R. BERLOUEI	M.FAKHARIAN	SH.GHALIKAR	** **

اسم و کلیه نسخ این نقشه و حق اقتباس متعلق به شرکت ملی مناطق نفت خیز جنوب میباشد.
THE ORIGINAL AND ALL COPIES OF THIS DRAWING TOGETHER WITH THE COPYRIGHT THEREIN ARE THE SOLE PROPERTY OF N.I.S.O.C./ FIELDS

PROJECT NAME: BINAK OILFIELD DEVELOPMENT/SUB-SURFACE WORK PACKAGES W028 WELLHEAD FACILITIES

PROJECT NO.: 971020

EPC CONTRACTOR: HIRGAN ENERGY & INSPECTION COMPANIES

EPD/EPC CONTRACTOR(GC): PETROIRAN DEVELOPMENT COMPANY

DRAWING TITLE: CIVIL AND STRUCTURAL DRAWINGS-W028S BURN PIT PLAN-SECTIONS

SCALE	SIZE	DRAWING NO.	SHEET NO.	REV.	BUDGET REF.	LOCATION	SIZE CLASS	SERIAL NO.	SHEET	REVISION
AS SHOWN	A1	BK-W028-PEDCO-110-CV-PY-0002	19 of 42	D05	053-073-9184	F	4	S	707548	19 D05

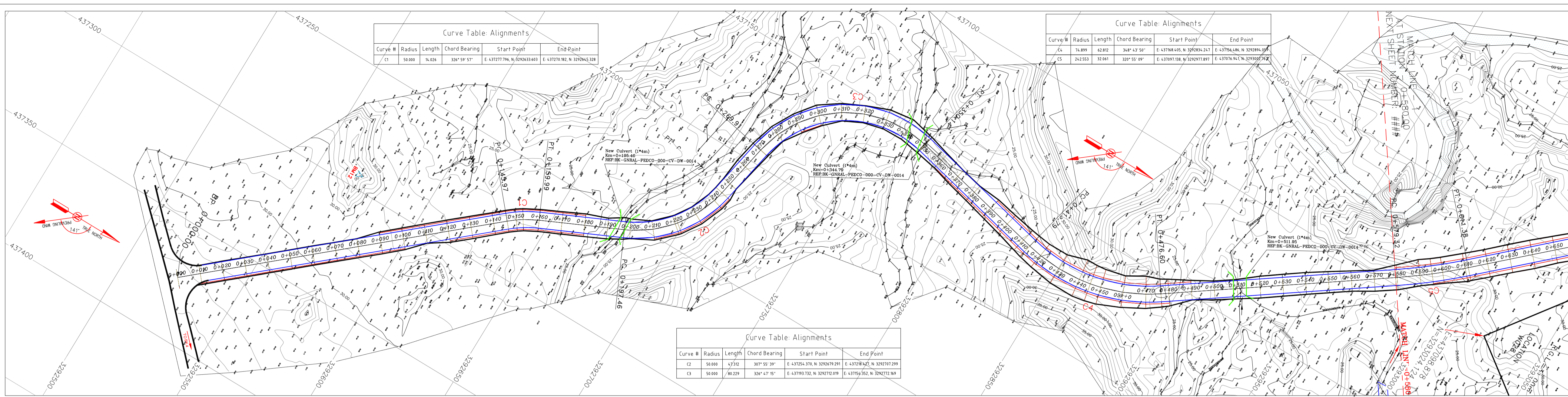
BINAK OILFIELD DEVELOPMENT SUB-SURFACE WORK PACKAGES W028 WELLHEAD FACILITIES

DATE	SCALE	DRAWING BY	CHECKED BY	PROJECT ENG.

NO CONSTRUCTION PERMITTED UNLESS DRAWING APPROVED

APPROVED FOR CONSTRUCTION	BY:	DATE:

TOTALLY REVISED



H: 1/1000
V: 1/100
MAIN ACCESS ROAD PLAN

- NOTES**
- 1- ALL COORDINATES AND ELEVATIONS ARE IN METER.
 - 2- ALL DRAWINGS SHALL BE CHECKED BY CONTRACTOR WITH RELATIVE DRAWINGS BEFORE CONSTRUCTION.
 - 3- GEODETIC PARAMETERS FOR COORDINATES ARE AS BELOW:
HORIZONTAL COORDINATE SYSTEM: WGS84/UTM ZONE 39
ELLIPSOID: WORLD GEODETIC SYSTEM 1984 (WGS84)
MAP PROJECTION: UNIVERSAL TRANSVERSE MERCATOR (UTM)
VERTICAL DATUM: MSL
 - 4- THE SUITABLE MATERIAL FOR FILLING SHALL BE COLLECTED BASED ON TO THE BELOW RULES
- PROJECT GEOTECHNICAL INVESTIGATION REPORT, BORROW MATERIALS AND SPECIFICATION STUDY PART.
- "GENERAL SPECIFICATION FOR ROAD" NO. 101, SECTION 207, IRAN PLANNING AND BUDGET ORGANIZATION.
- PROJECT GENERAL SPECIFICATION "SPECIFICATION FOR EARTH WORK" DOCUMENT NUMBER "BK-GNRL-PEDCO-000-CV-SP-0004".
- GEOTECHNICAL REPORTS AND CLIENT'S SITE SUPERVISORY BODY RECOMMENDATIONS AND APPROVALS.
 - 5- BEFORE ANY EARTH WORK ACTIVITIES (CUT OR FILL), TOP SOIL SHALL BE REMOVED AS GEOTECHNICAL RECOMMENDATION

LEGEND

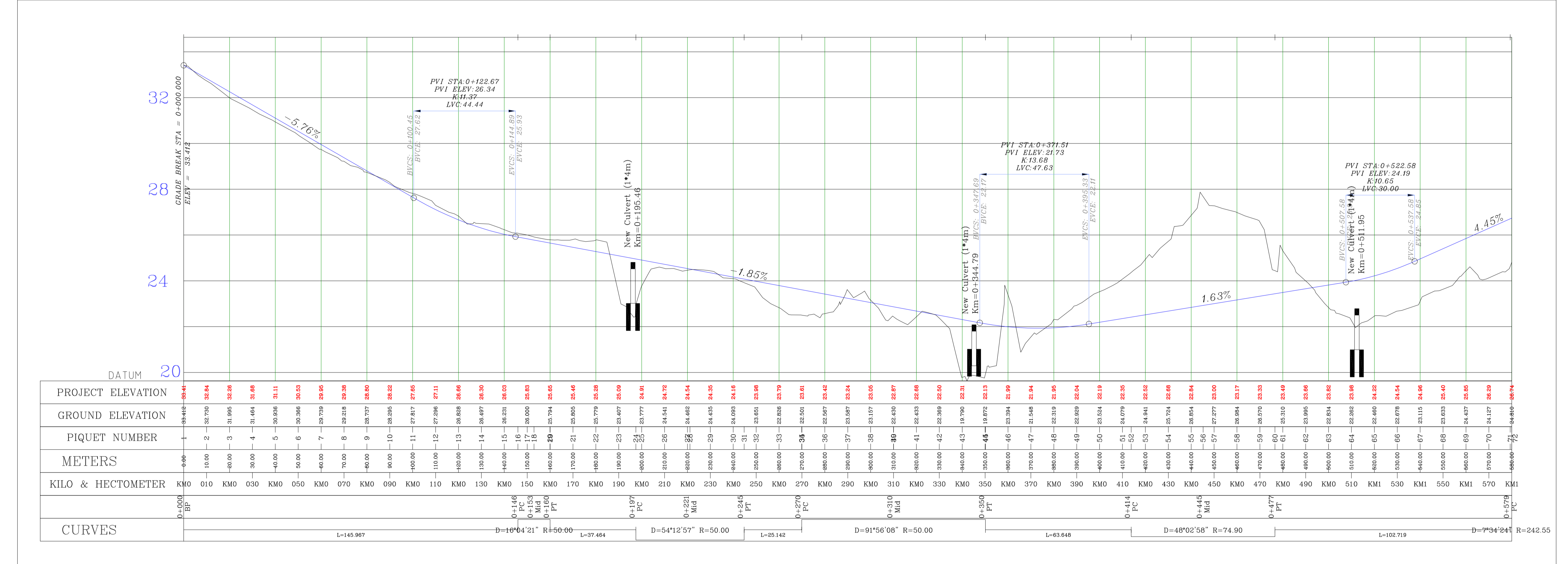
	WELL LOCATION		CANAL
	WELL		RIVER
	SITE		WATER COURSE
	CAMP SITE		CONTOURS
	ASPHALT ROAD		SPOT HEIGHT
	GRAVEL ROAD		BENCH MARK
	PROPOSED ROAD		BRIDGE
	DAYLIGHT		CULVERT

REFERENCE DRAWING

General Civil Layout - W028	DRG. No.
BK-W028-PEDCO-110-CV-PY-0001	BK-W028-PEDCO-110-CV-PY-0001
Rough Grading Plans - W028	BK-W028-PEDCO-110-CV-DW-0001
Standard Drawing For Culvert & Details	BK-GNRL-PEDCO-000-CV-DW-0014
Specification For Earth Work	BK-GNRL-PEDCO-000-CV-SP-0004
Standard Drawing For Slope Protection Details	BK-GNRL-PEDCO-000-CV-DW-0002
Specification For Road & Paving	BK-GNRL-PEDCO-000-CV-SP-0002

ABBREVIATION

PT= POINT
PVI= POINT OF VERTICAL INTERSECTION
LVCS= LENGTH OF VERTICAL CURVE
BVCS= BEGIN OF VERTICAL CURVE STATION
EVCS= END OF VERTICAL CURVE STATION
EVCS= END OF VERTICAL CURVE ELEVATION



H: 1/1000
V: 1/100
MAIN ACCESS ROAD PROFILE

BENCH MARK LIST

NAME	Easting(m)	Northing(m)	Elevation(m)
BM12	437294.141	3292567.901	35.395
BM14	437204.521	3292998.852	38.676

Station	Northing	Easting
0+000.00	3292523.50	437373.63
0+100.00	3292598.93	437307.98
0+200.00	3292681.57	437253.24
0+300.00	3292725.96	437167.58
0+400.00	3292820.80	437165.36
0+500.00	3292913.16	437142.97

PI Station	Northing	Easting
0+000.00	3292523.50	437373.63
0+153.03	3292638.93	437273.16
0+223.05	3292702.49	437243.57
0+321.63	3292721.73	437142.93
0+447.17	3292866.81	437175.78

D05	JUL.2022	IFA	R. BERLOURI	M.PAKHARIAN	M.MEHRSHAD	***
D04	JUN.2022	IFA	R. BERLOURI	M.PAKHARIAN	M.MEHRSHAD	***
D03	MAY.2022	IFA	R. BERLOURI	M.PAKHARIAN	M.MEHRSHAD	***
D02	MAR.2022	IFA	R. BERLOURI	M.PAKHARIAN	M.MEHRSHAD	***
D01	NOV.2021	IFA	R. BERLOURI	M.PAKHARIAN	M.MEHRSHAD	***
D00	OCT.2021	IPC	R. BERLOURI	M.PAKHARIAN	SH.GHALKAR	***
REV.	DATE	P.O.I.S	PREP.	CHK.	APP.	AUT.
PROJECT NAME:	BINAK OILFIELD DEVELOPMENT/SUB-SURFACE WORK PACKAGES W028 WELLHEAD FACILITIES					
PROJECT NO.:	971020					
EPC CONTRACTOR:	EPD/EPC CONTRACTOR(GC): PETROIRAN DEVELOPMENT COMPANY					
DRAWING TITLE:	CIVIL AND STRUCTURAL DRAWINGS-W028S ACCESS ROAD PLAN AND PROFILE SECTION					
SCALE	SIZE	DRAWING NO.	SHEET NO.	REV.	BUDGET REF.	LOCATION
AS SHOWN	A1	BK-W028-PEDCO-110-CV-PY-0002	20 of 42	D05	053-073-9184	F

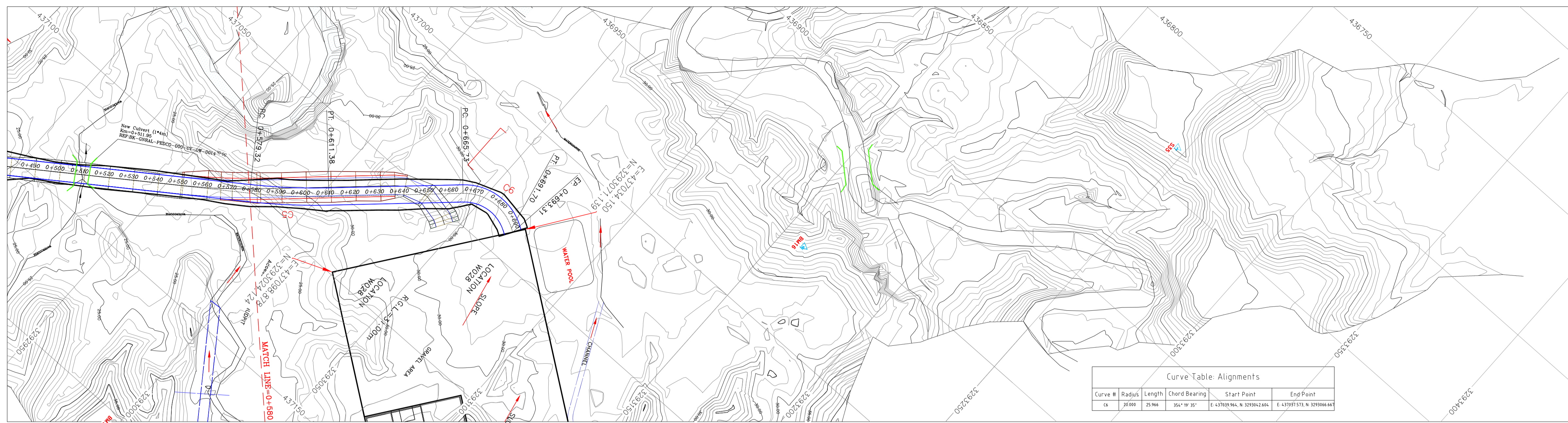
KEY PLAN

THIS DRAWING

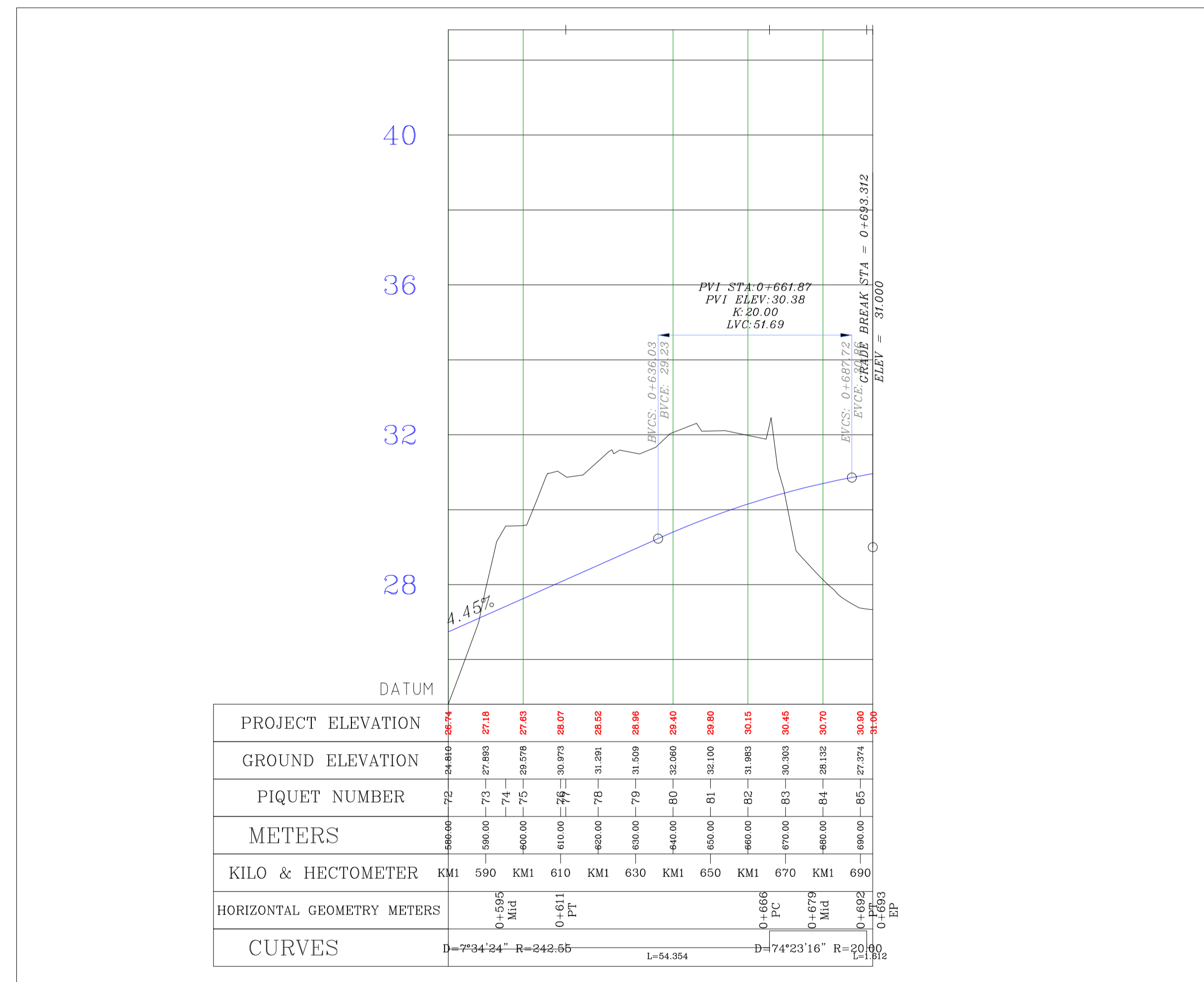
NO CONSTRUCTION PERMITTED UNLESS DRAWING APPROVED

APPROVED FOR CONSTRUCTION	BY:	DATE:

BUDGET REF.	LOCATION	SIZE	CLASS	SERIAL NO.	SHEET	REVISION
053-073-9184	F	4	S	707548	20	D05



MAIN ACCESS ROAD PLAN
H: 1/1000
V: 1/100



MAIN ACCESS ROAD PROFILE
H: 1/1000
V: 1/100

NAME	Easting(m)	Northing(m)	Elevation(m)
BM16	436964.749	3293160.118	37.566
S35	436834.486	3293246.697	45.665

PI Station	Northing	Easting
0+595.37	3292991.00	437087.86
0+680.91	3293053.73	437029.64
0+693.31	3293068.04	437038.42

Station	Northing	Easting
0+600.00	3292994.25	437084.48
0+693.31	3293068.04	437038.41

- NOTES**
- ALL COORDINATES AND ELEVATIONS ARE IN METER.
 - ALL DRAWINGS SHALL BE CHECKED BY CONTRACTOR WITH RELATIVE DRAWINGS BEFORE CONSTRUCTION.
 - GEODETIC PARAMETERS FOR COORDINATES ARE AS BELOW:
 HORIZONTAL COORDINATE SYSTEM: WGS84/UTM ZONE 39
 ELLIPSOID: WORLD GEODETIC SYSTEM 1984 (WGS84)
 MAP PROJECTION: UNIVERSAL TRANSVERSE MERCATOR (UTM)
 VERTICAL DATUM: MSL
 - THE SUITABLE MATERIAL FOR FILLING SHALL BE COLLECTED BASED ON TO THE BELOW RULES:
 - PROJECT GEOTECHNICAL INVESTIGATION REPORT, BORROW MATERIALS AND SPECIFICATION STUDY PART.
 - "GENERAL SPECIFICATION FOR ROAD" NO. 101, SECTION 207, IRAN PLANNING AND BUDGET ORGANIZATION.
 - PROJECT GENERAL SPECIFICATION "SPECIFICATION FOR EARTH WORK" DOCUMENT NUMBER "BK-GNRL-PEDCO-000-CV-SP-0004".
 - GEOTECHNICAL REPORTS AND CLIENT'S SITE SUPERVISORY BODY RECOMMENDATIONS AND APPROVALS.
 - BEFORE ANY EARTH WORK ACTIVITIES (CUT OR FILL), TOP SOIL SHALL BE REMOVED AS GEOTECHNICAL RECOMMENDATION

LEGEND

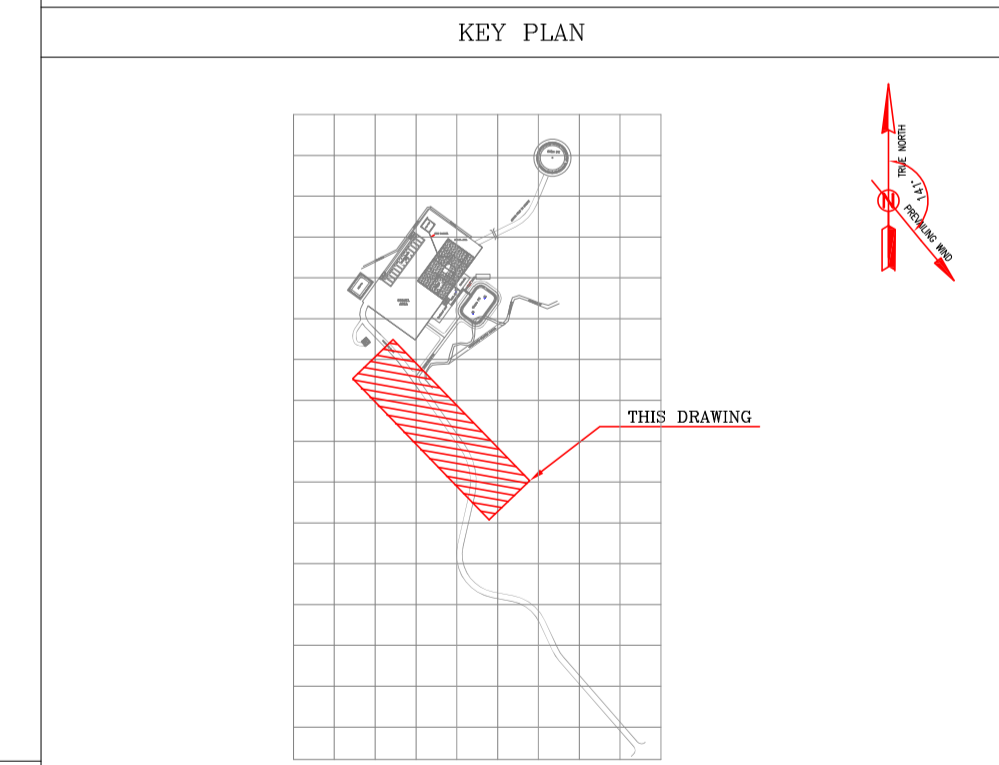
	WELL LOCATION		CANAL
	WELL		RIVER
	SITE		WATER COURSE
	CAMP SITE		CONTOURS
	ASPHALT ROAD		SPOT HEIGHT
	GRAVEL ROAD		BENCH MARK
	PROPOSED ROAD		BRIDGE
	DAYLIGHT		CULVERT

REFERENCE DRAWING

General Civil Layout - W028	DRG. No.
BK-W028-PEDCO-110-CV-PY-0001	BK-W028-PEDCO-110-CV-PY-0001
Rough Grading Plans - W028	BK-W028-PEDCO-110-CV-DW-0001
Standard Drawing For Culvert & Details	BK-GNRL-PEDCO-000-CV-DW-0014
Specification For Earth Work	BK-GNRL-PEDCO-000-CV-SP-0004
Standard Drawing For Slope Protection Details	BK-GNRL-PEDCO-000-CV-DW-0002
Specification For Road & Paving	BK-GNRL-PEDCO-000-CV-SP-0002

ABBREVIATION

PT= POINT
 PVI= POINT OF VERTICAL INTERSECTION
 LVC= LENGTH OF VERTICAL CURVE
 BVCS= BEGIN OF VERTICAL CURVE STATION
 BVCE= BEGIN OF VERTICAL CURVE ELEVATION
 EVCS= END OF VERTICAL CURVE STATION
 EVCE= END OF VERTICAL CURVE ELEVATION



REV.	DATE	DESCRIPTION	BY	DATE	BY	DATE
D05	JUL.2022	IFA	R. BERLOURI	M.PAKHARIAN	M.MEHRSHAD	***
D04	JUN.2022	IFA	R. BERLOURI	M.PAKHARIAN	M.MEHRSHAD	**
D03	MAY.2022	IFA	R. BERLOURI	M.PAKHARIAN	M.MEHRSHAD	**
D02	MAR.2022	IFA	R. BERLOURI	M.PAKHARIAN	M.MEHRSHAD	**
D01	NOV.2021	IFA	R. BERLOURI	M.PAKHARIAN	M.MEHRSHAD	**
D00	OCT.2021	IPC	R. BERLOURI	M.PAKHARIAN	SH.GHALIKAR	**

PROJECT NAME: BINAK OILFIELD DEVELOPMENT/SUB-SURFACE WORK PACKAGES W028 WELLHEAD FACILITIES
 PROJECT NO.: 971020
 EPC CONTRACTOR: HIRGAN ENERGY & INSPECTION COMPANIES
 EPD/EPC CONTRACTOR(GC): PETROIRAN DEVELOPMENT COMPANY
 DRAWING TITLE: CIVIL AND STRUCTURAL DRAWINGS-W028S ACCESS ROAD PLAN AND PROFILE SECTION

اسم و کلیه نسخ این نقشه و حق اقتباس متعلق به شرکت ملی مناطق نفت خیز جنوب میباشد.

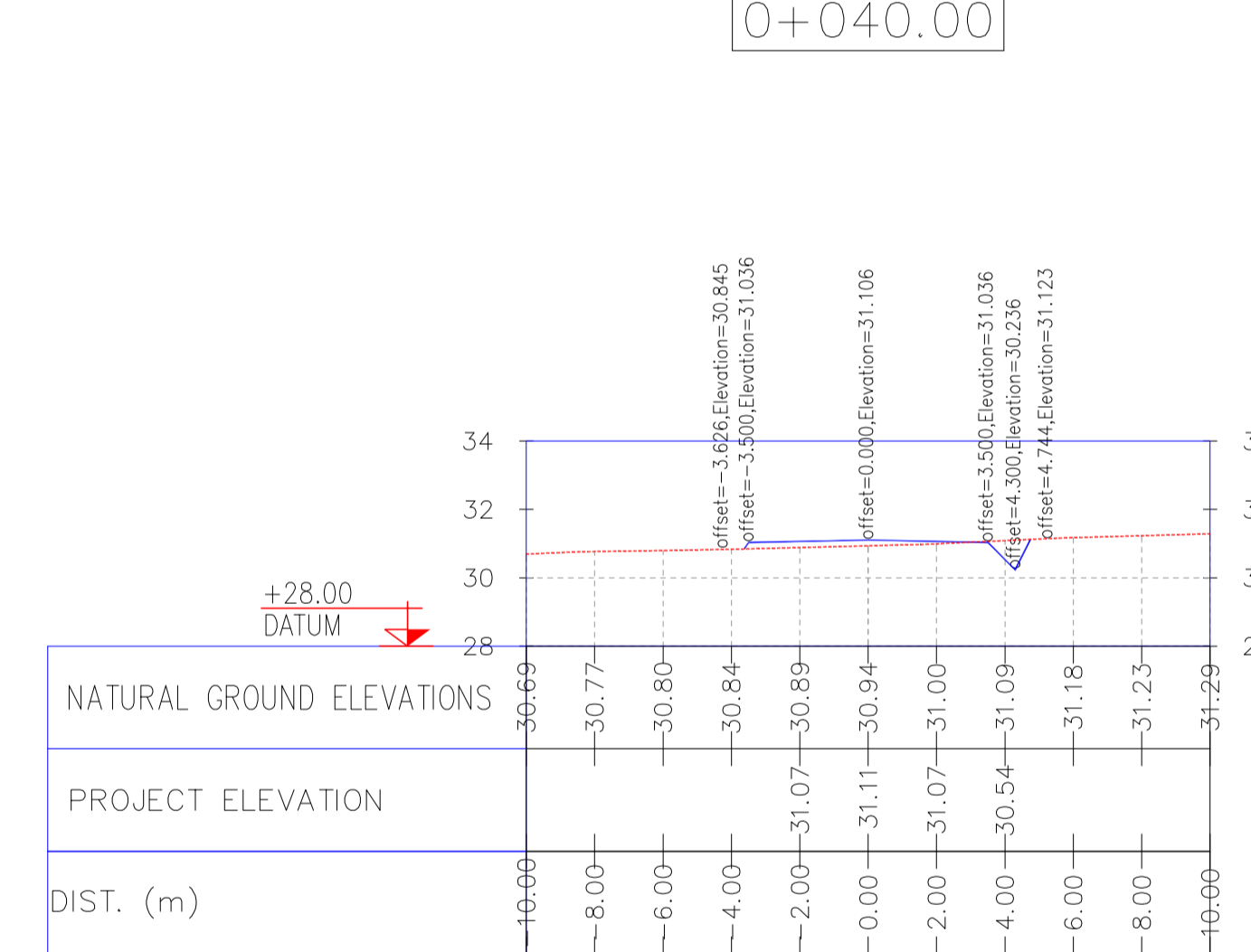
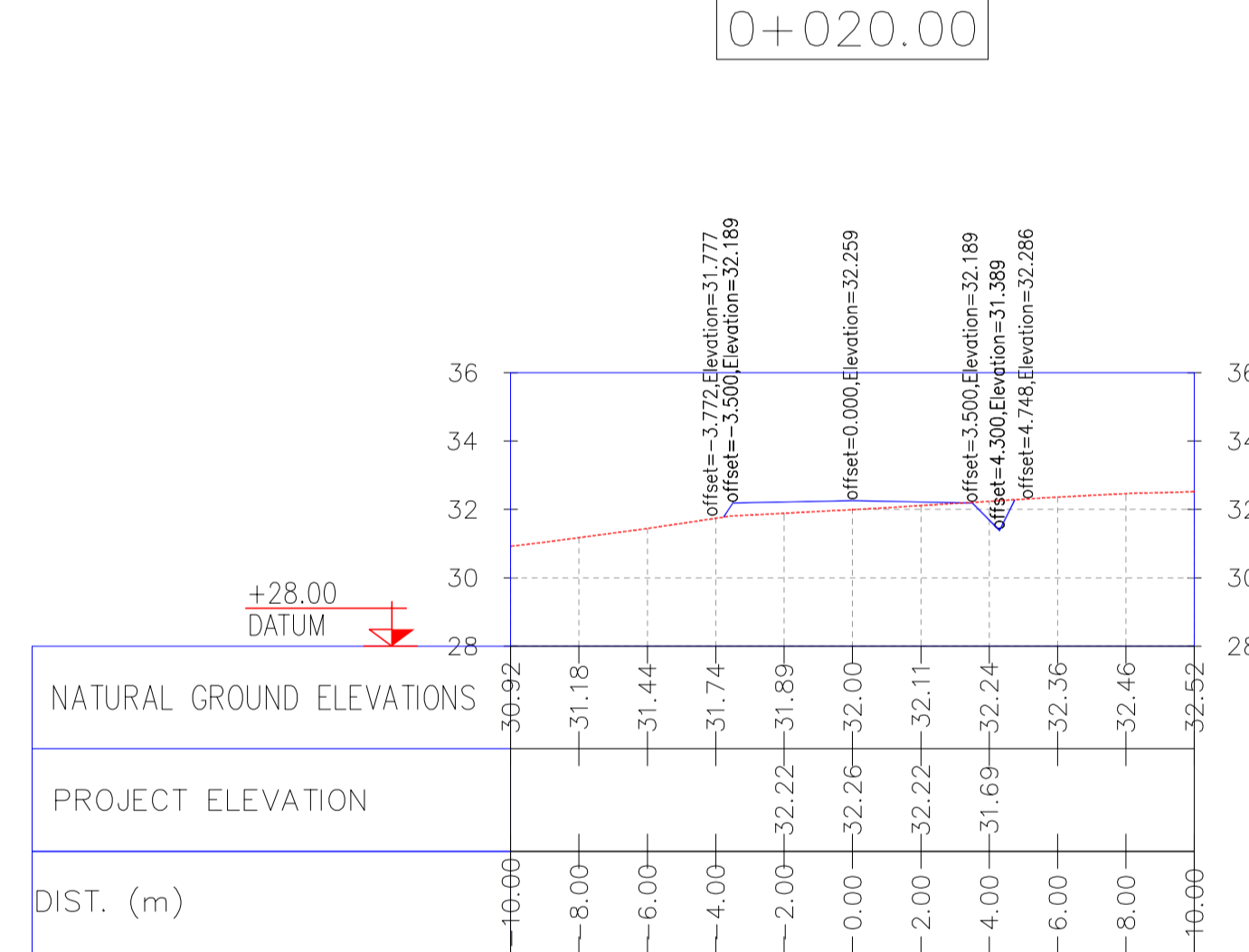
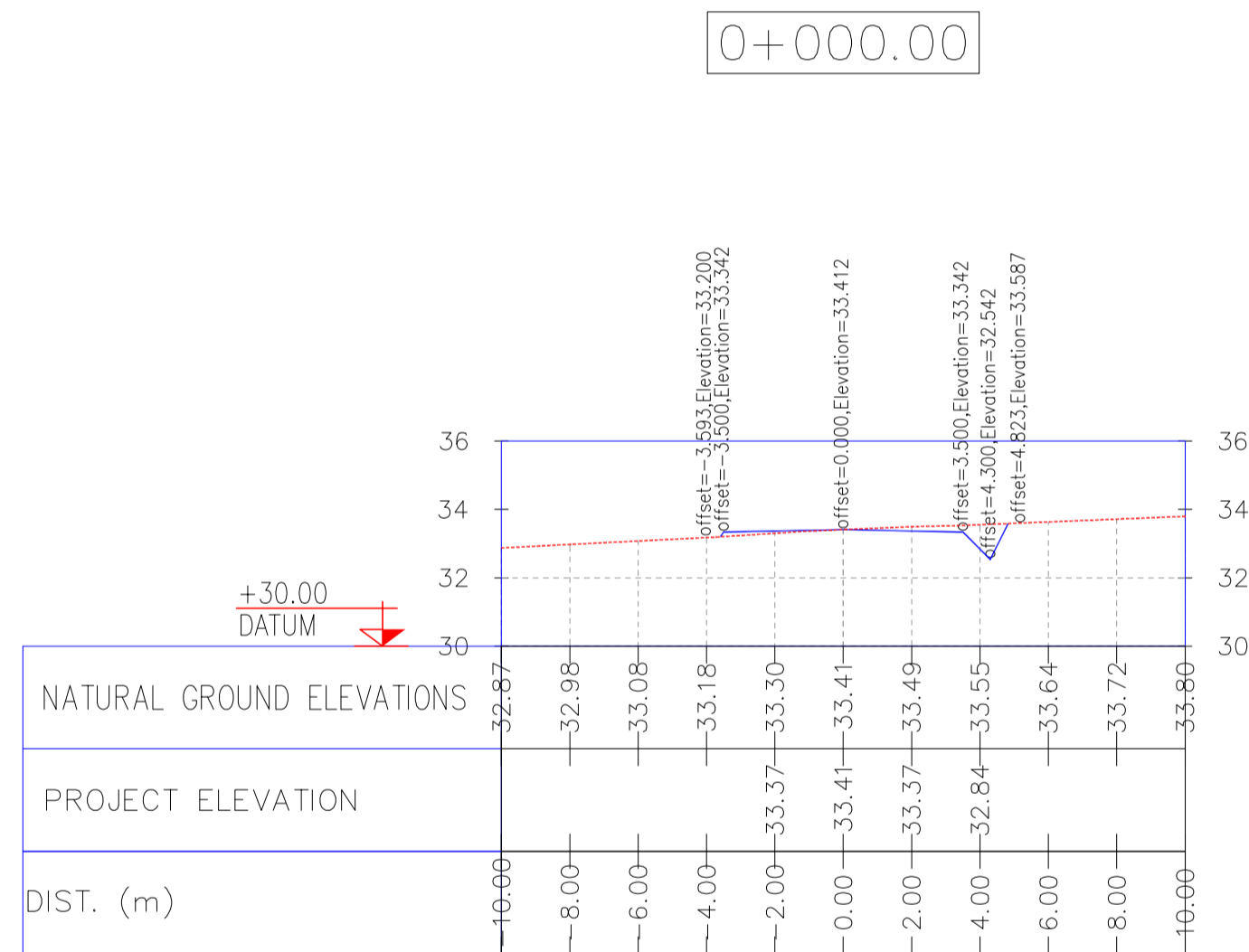
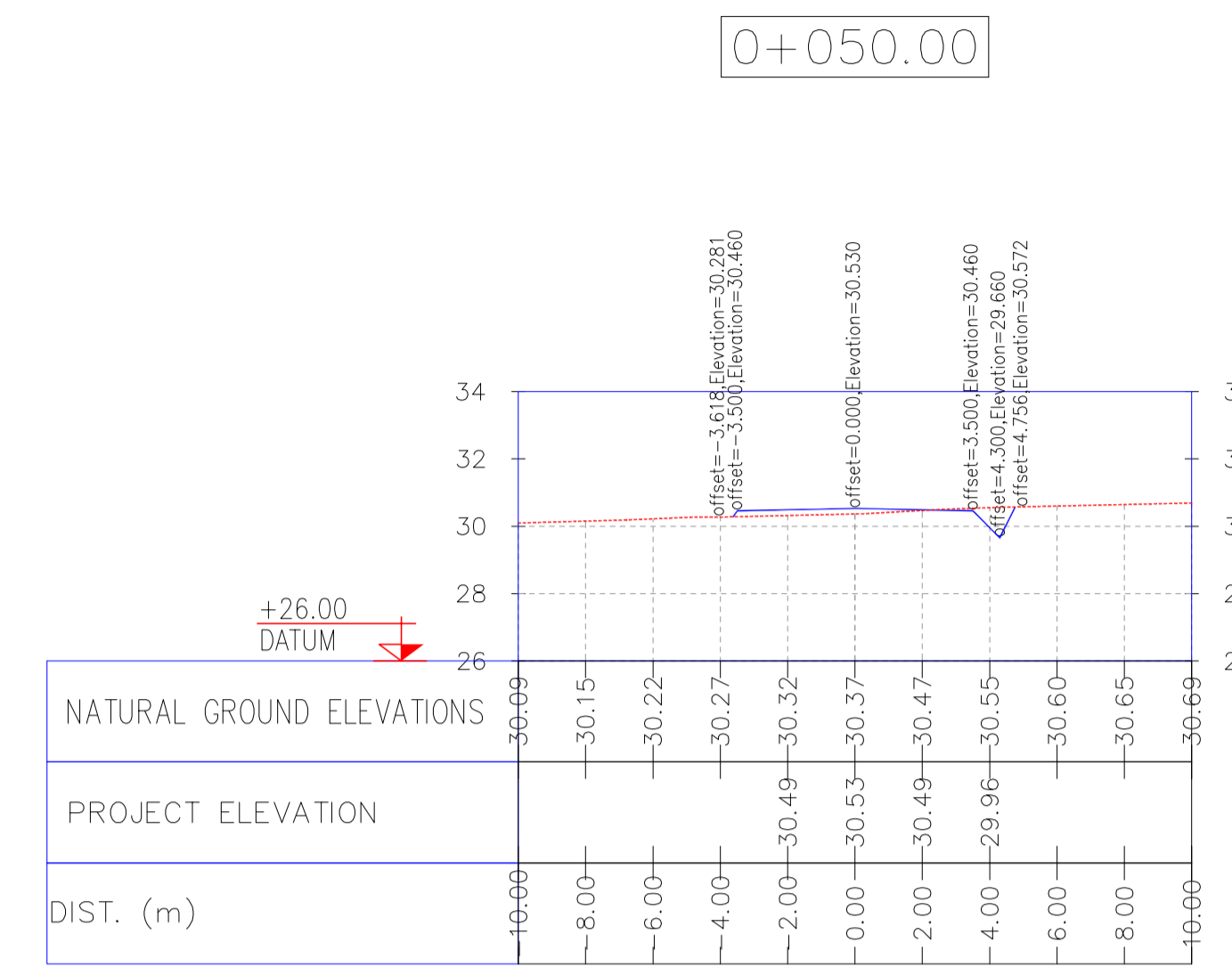
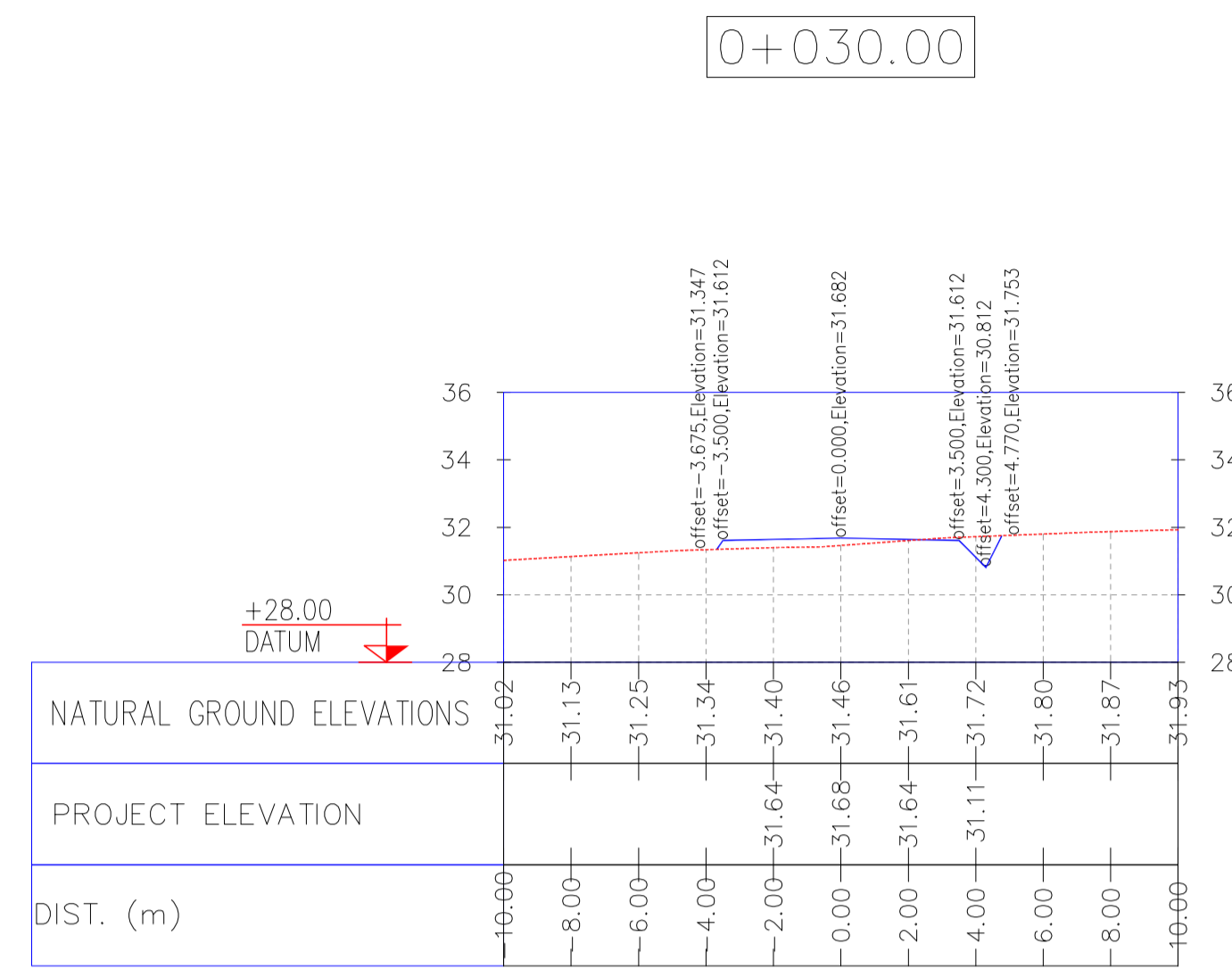
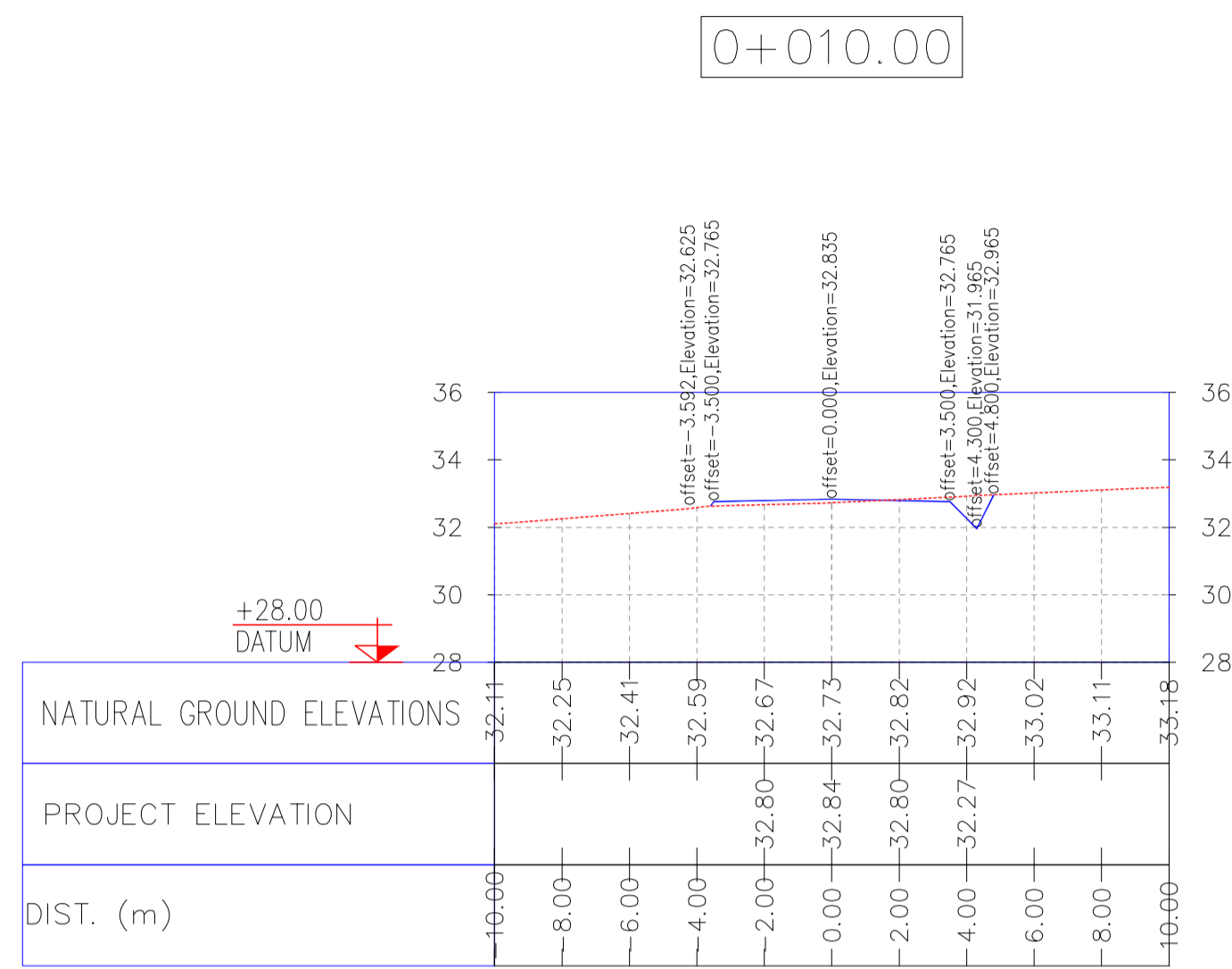
THE ORIGINAL AND ALL COPIES OF THIS DRAWING TOGETHER WITH THE COPYRIGHT THEREIN ARE THE SOLE PROPERTY OF N.I.S.O.C./ FIELDS

DATE	SCALE	DRAWING BY	CHECKED BY	PROJECT ENG.

NO CONSTRUCTION PERMITTED UNLESS DRAWING APPROVED

APPROVED FOR CONSTRUCTION	BY:	DATE:

SCALE	SIZE	DRAWING NO.	SHEET NO.	REV.	BUDGET REF.	LOCATION	SIZE CLASS	SERIAL NO.	SHEET	REVISION	
AS SHOWN	A1	BK-W028-PEDCO-110-CV-PY-0002	21 of 42	D05	053-073-9184	F	4	S	707548	21	D05



NOTES

- 1- ALL COORDINATES AND ELEVATIONS ARE IN METER.
- 2- ALL DRAWINGS SHALL BE CHECKED BY CONTRACTOR WITH RELATIVE DRAWINGS BEFORE CONSTRUCTION.
- 3- GEODETIC PARAMETERS FOR COORDINATES ARE AS BELOW:
 HORIZONTAL COORDINATE SYSTEM: WGS84/UTM ZONE 39
 ELLIPSOID : WORLD GEODETIC SYSTEM 1984 (WGS84)
 MAP PROJECTION: UNIVERSAL TRANSVERSE MERCATOR (UTM)
 VERTICAL DATUM: MSL

LEGEND

REFERENCE DRAWING	DRG. No.
General Civil Layout -W028	BK-W028-PEDCO-110-CV-PY-0001
Rough Grading Plans -W028	BK-W028-PEDCO-110-CV-DW-0001
Standard Drawing For Culvert & Details	BK-GNRAL-PEDCO-000-CV-DW-0014
Specification For Earth Work	BK-GNRAL-PEDCO-000-CV-SP-0004
Standard Drawing For Slope Protection Details	BK-GNRAL-PEDCO-000-CV-DW-0002

KEY PLAN

REV.	DATE	P.O.I.S	PREP.	CHK.	APP.	AUT.
D05	JUL.2022	IPA	R. BERLOURI	M.PAKHARIAN	M.MEHRSHAD	***
D04	JUN.2022	IPA	R. BERLOURI	M.PAKHARIAN	M.MEHRSHAD	**
D03	MAY.2022	IPA	R. BERLOURI	M.PAKHARIAN	M.MEHRSHAD	**
D02	MAR.2022	IPA	R. BERLOURI	M.PAKHARIAN	M.MEHRSHAD	**
D01	NOV.2021	IPA	R. BERLOURI	M.PAKHARIAN	M.MEHRSHAD	**
D00	OCT.2021	IPC	R. BERLOURI	M.PAKHARIAN	SH.GHALIKAR	**

PROJECT NAME: BINAK OILFIELD DEVELOPMENT/SUB-SURFACE WORK PACKAGES W028 WELLHEAD FACILITIES

PROJECT NO.: 971020

EPC CONTRACTOR: HIRGAN ENERGY - DESIGN & INSPECTION COMPANIES

EPD/EPC CONTRACTOR(GC): PETROIRAN DEVELOPMENT COMPANY

DRAWING TITLE: CIVIL AND STRUCTURAL DRAWINGS-W028S ACCESS ROAD TRANSVERSAL SECTIONS KM 10 ~50M

SCALE	SIZE	DRAWING NO.	SHEET NO.	REV.
H=1/200 V=1/200	A1	BK-W028-PEDCO-110-CV-PY-0002	22 of 42	D05

اصل و کليه نسخ این نقشه و حق اقتباس متعلق به شرکت ملی مناطق نفت خیز جنوب میباشد.

THE ORIGINAL AND ALL COPIES OF THIS DRAWING TOGETHER WITH THE COPYRIGHT THEREIN ARE THE SOLE PROPERTY OF N.I.S.O.C./ FIELDS

DATE	SCALE	DRAWING BY	CHECKED BY	PROJECT ENG.

NO CONSTRUCTION PERMITTED UNLESS DRAWING APPROVED

APPROVED FOR CONSTRUCTION	BY:	DATE:

BUDGET REF.	LOCATION	SIZE	CLASS	SERIAL NO.	SHEET	REVISION
053-073-9184	F	4	S	707548	22	D05

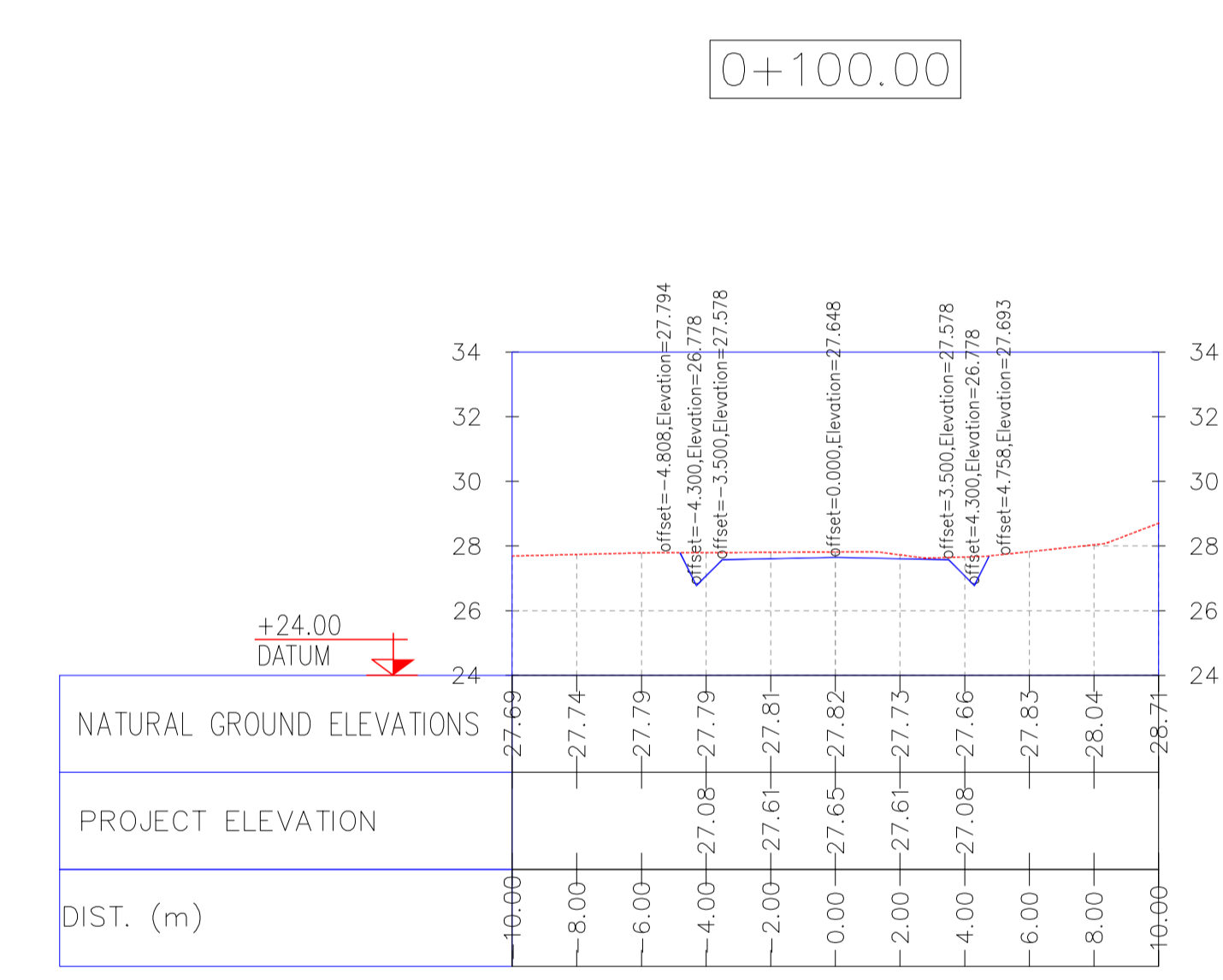
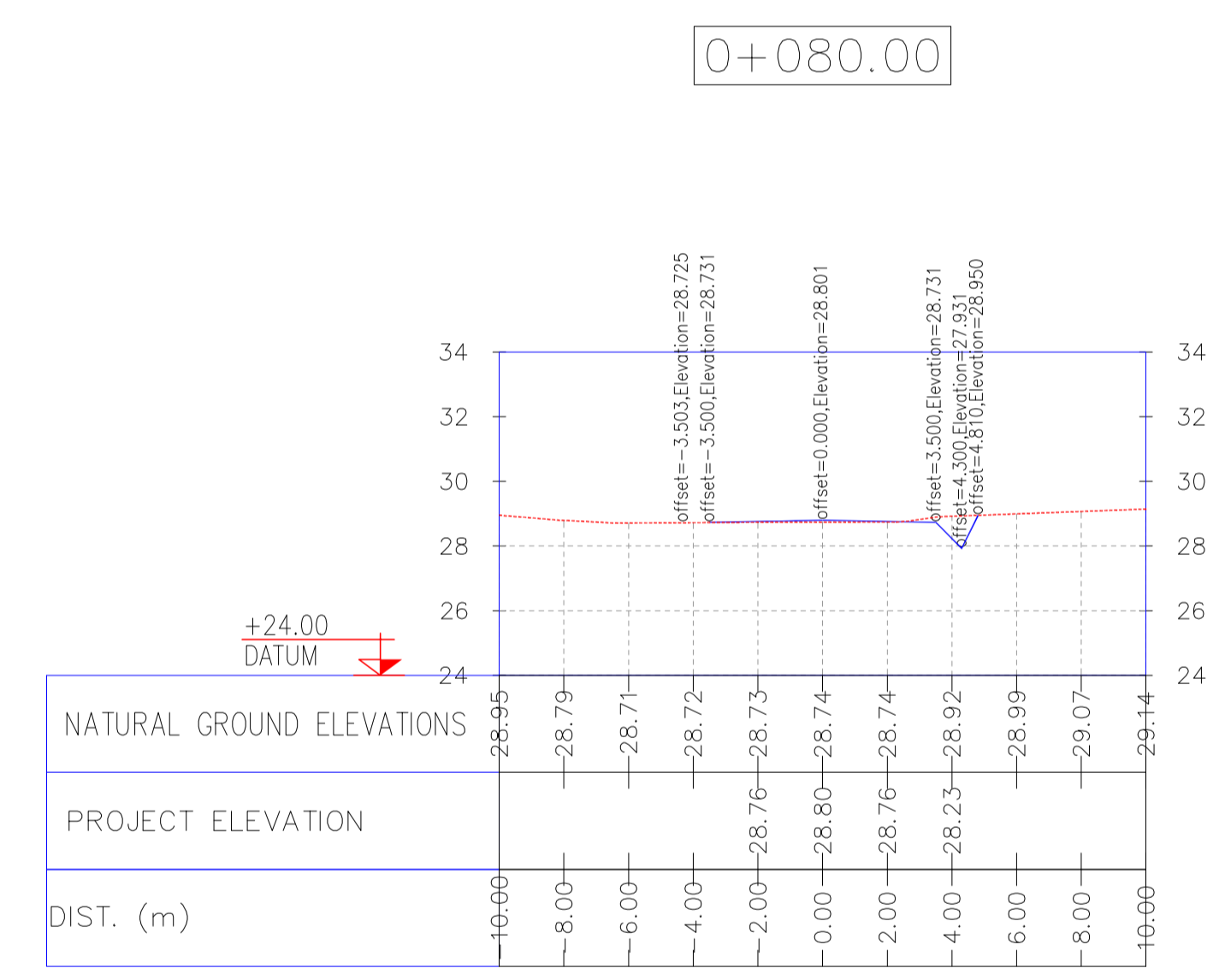
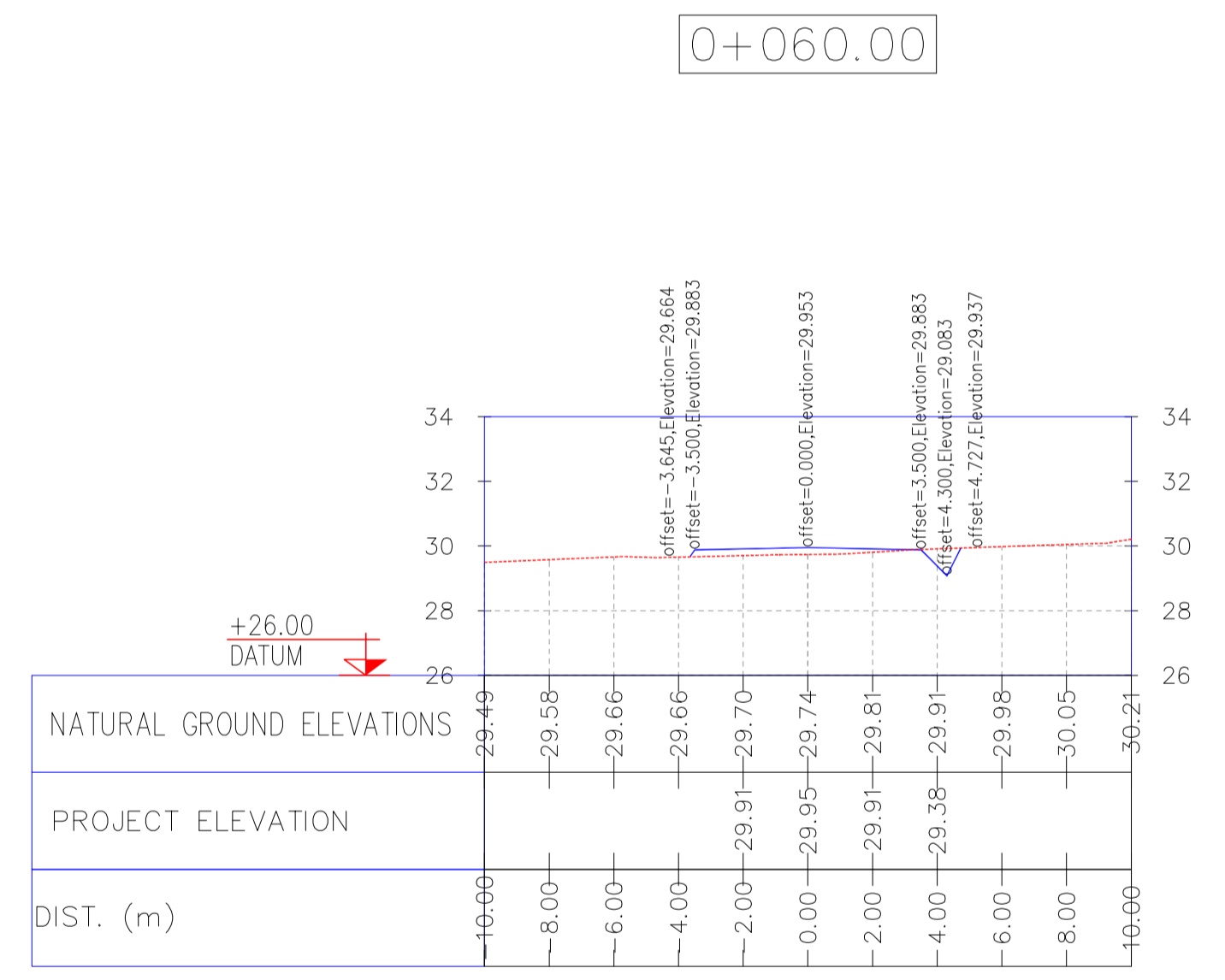
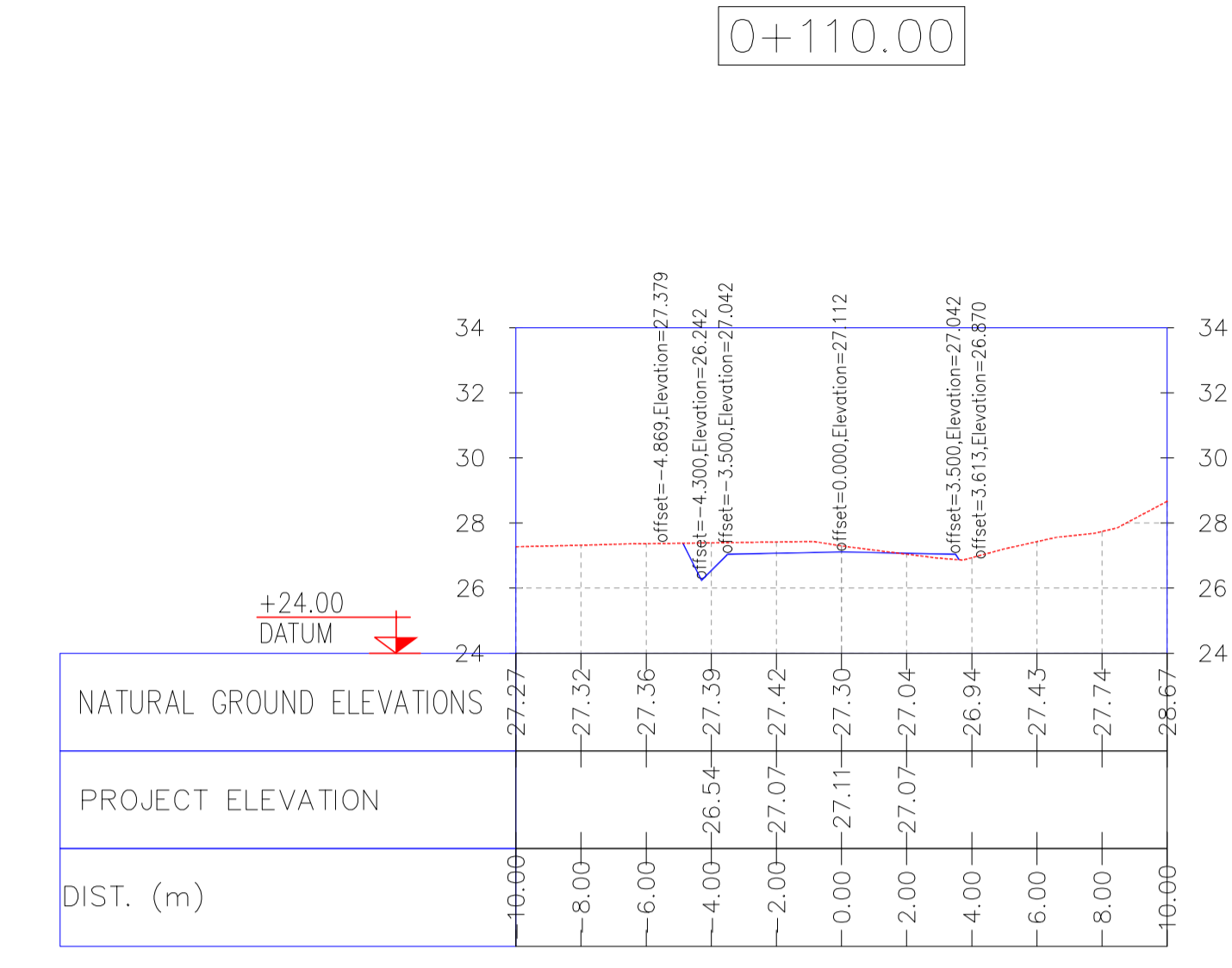
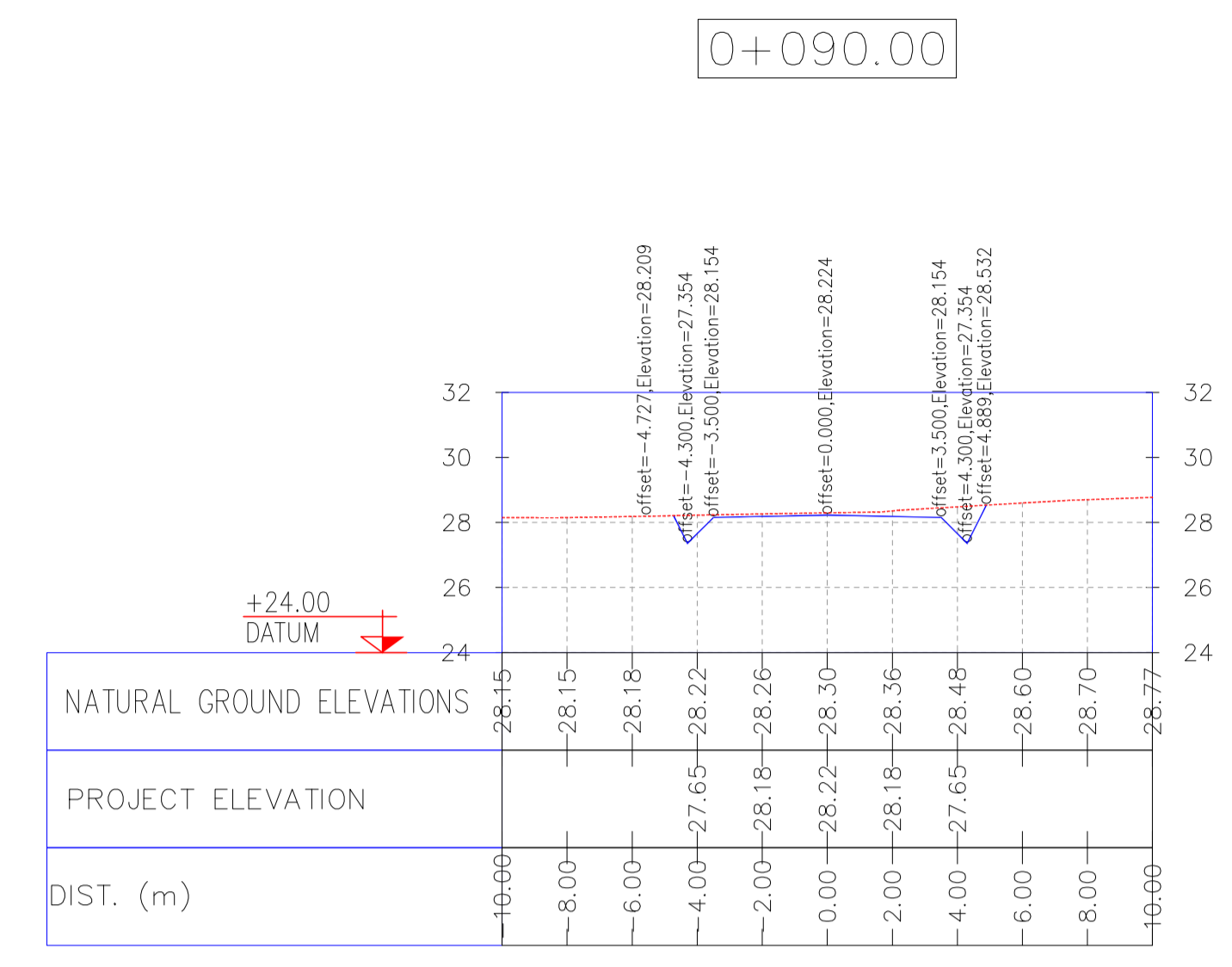
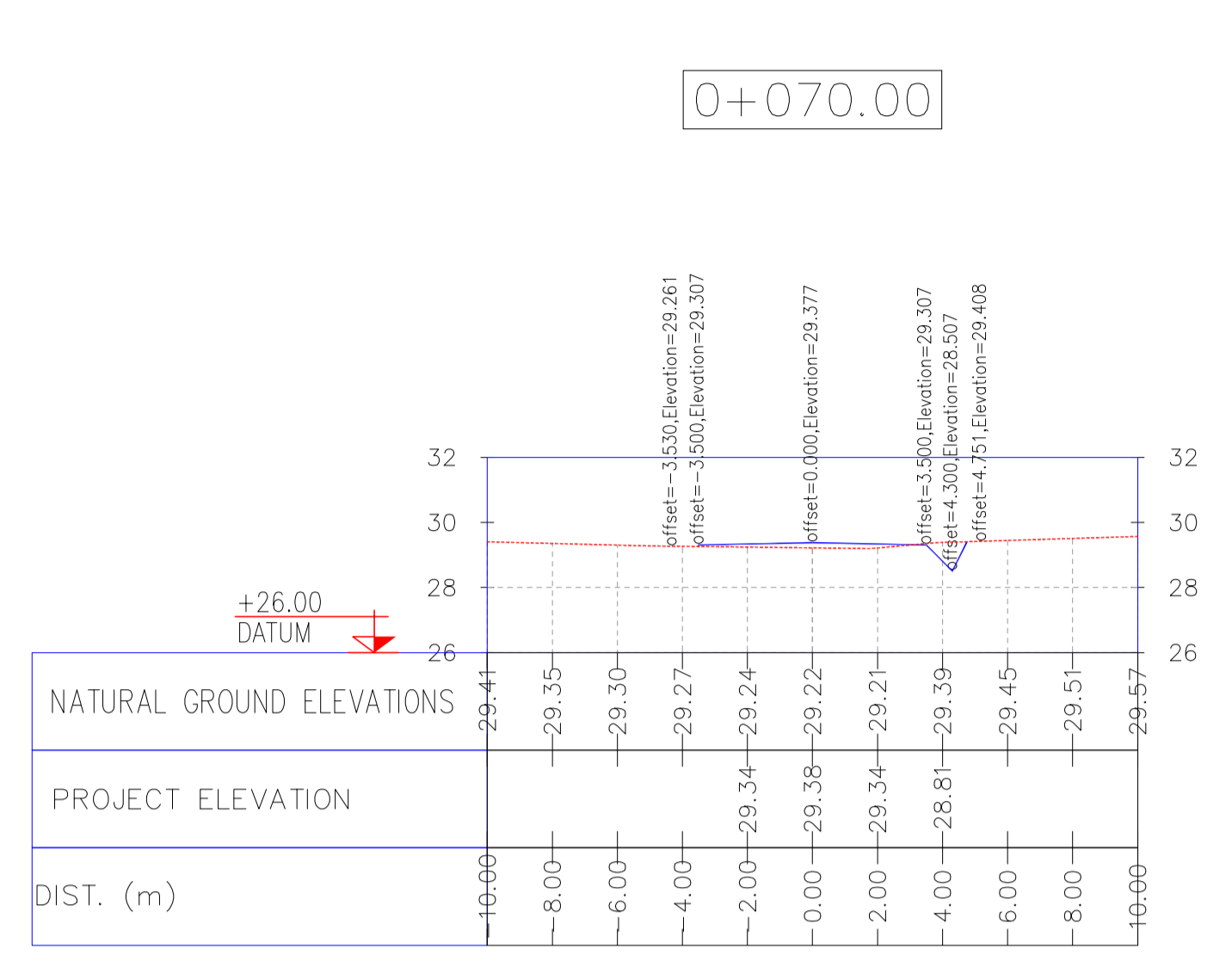
NOTES

1- ALL COORDINATES AND ELEVATIONS ARE IN METER.
 2- ALL DRAWINGS SHALL BE CHECKED BY CONTRACTOR WITH RELATIVE DRAWINGS BEFORE CONSTRUCTION.
 3- GEODETIC PARAMETERS FOR COORDINATES ARE AS BELOW:
 HORIZONTAL COORDINATE SYSTEM: WGS84/UTM ZONE 39
 ELLIPSOID : WORLD GEODETIC SYSTEM 1984 (WGS84)
 MAP PROJECTION: UNIVERSAL TRANSVERSE MERCATOR (UTM)
 VERTICAL DATUM: MSL

LEGEND

REFERENCE DRAWING	DRG. No.
General Civil Layout -W028	BK-W028-PEDCO-110-CV-PY-0001
Rough Grading Plans -W028	BK-W028-PEDCO-110-CV-DW-0001
Standard Drawing For Culvert & Details	BK-GNRAI-PEDCO-000-CV-DW-0014
Specification For Earth Work	BK-GNRAI-PEDCO-000-CV-SP-0004
Standard Drawing For Slope Protection Details	BK-GNRAI-PEDCO-000-CV-DW-0002

KEY PLAN



REV.	DATE	DESCRIPTION	BY	DATE	BY	DATE
D05	JUL.2022	IPA	R. BERLOURI	M.PAKHARIAN	M.MEHRSHAD	***
D04	JUN.2022	IPA	R. BERLOURI	M.PAKHARIAN	M.MEHRSHAD	**
D03	MAY.2022	IPA	R. BERLOURI	M.PAKHARIAN	M.MEHRSHAD	**
D02	MAR.2022	IPA	R. BERLOURI	M.PAKHARIAN	M.MEHRSHAD	**
D01	NOV.2021	IPA	R. BERLOURI	M.PAKHARIAN	M.MEHRSHAD	**
D00	OCT.2021	IPC	R. BERLOURI	M.PAKHARIAN	SH.GHALIKAR	**
REV.	DATE	P.O.I.S	PREP.	CHK.	APP.	AUT.

اصل و کليه نسخ اين نقشه و حق اقتباس متعلق به شرکت ملی مناطق نفت خيز جنوب مي باشد.
 THE ORIGINAL AND ALL COPIES OF THIS DRAWING TOGETHER WITH THE COPYRIGHT THEREIN ARE THE SOLE PROPERTY OF N.I.S.O.C./ FIELDS

PROJECT NAME: BINAK OILFIELD DEVELOPMENT/SUB-SURFACE WORK PACKAGES W028 WELLHEAD FACILITIES

PROJECT NO.: 971020

EPC CONTRACTOR: HIRGAN ENERGY - DESIGN & INSPECTION COMPANIES

EPD/EPC CONTRACTOR(GC): PETROIRAN DEVELOPMENT COMPANY

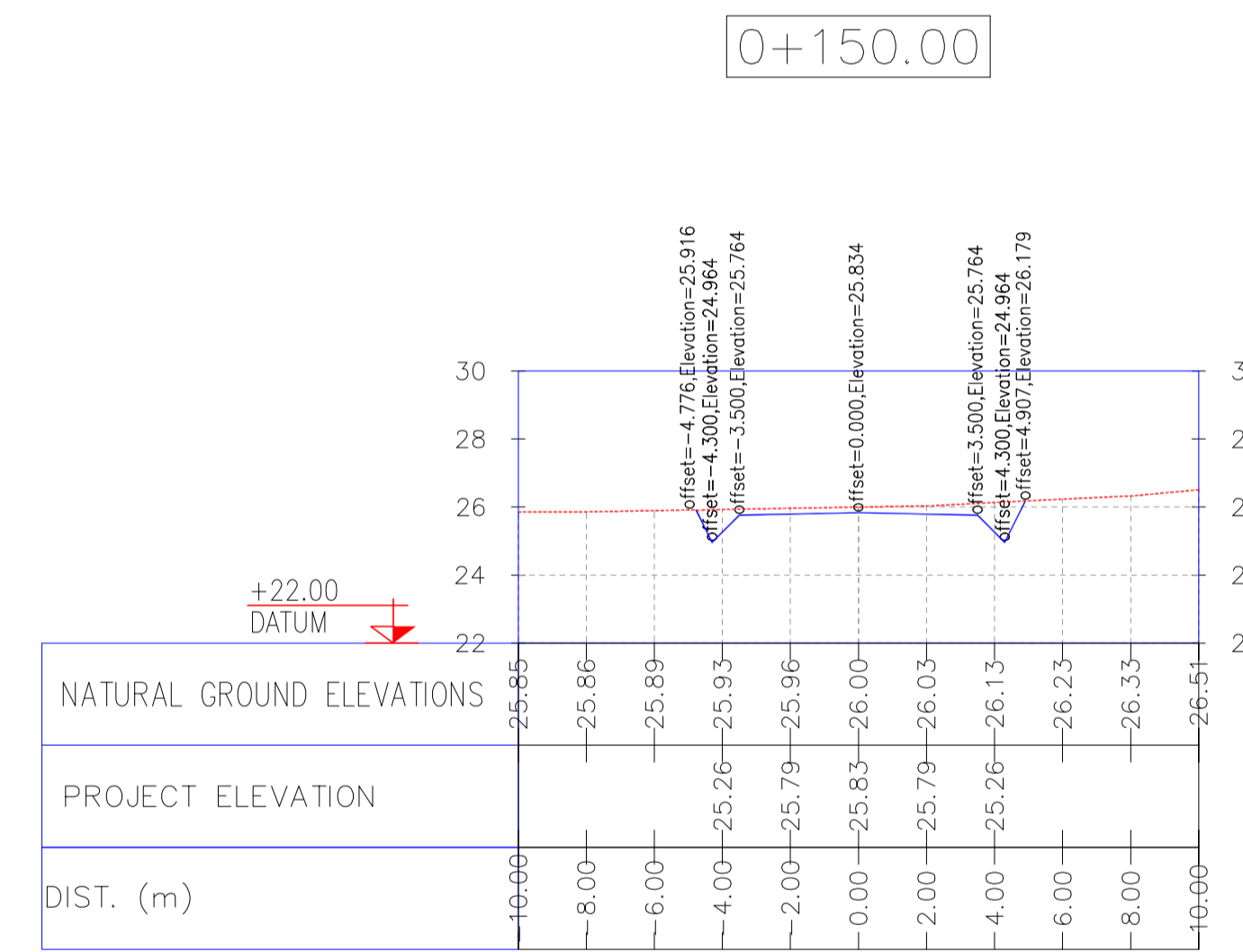
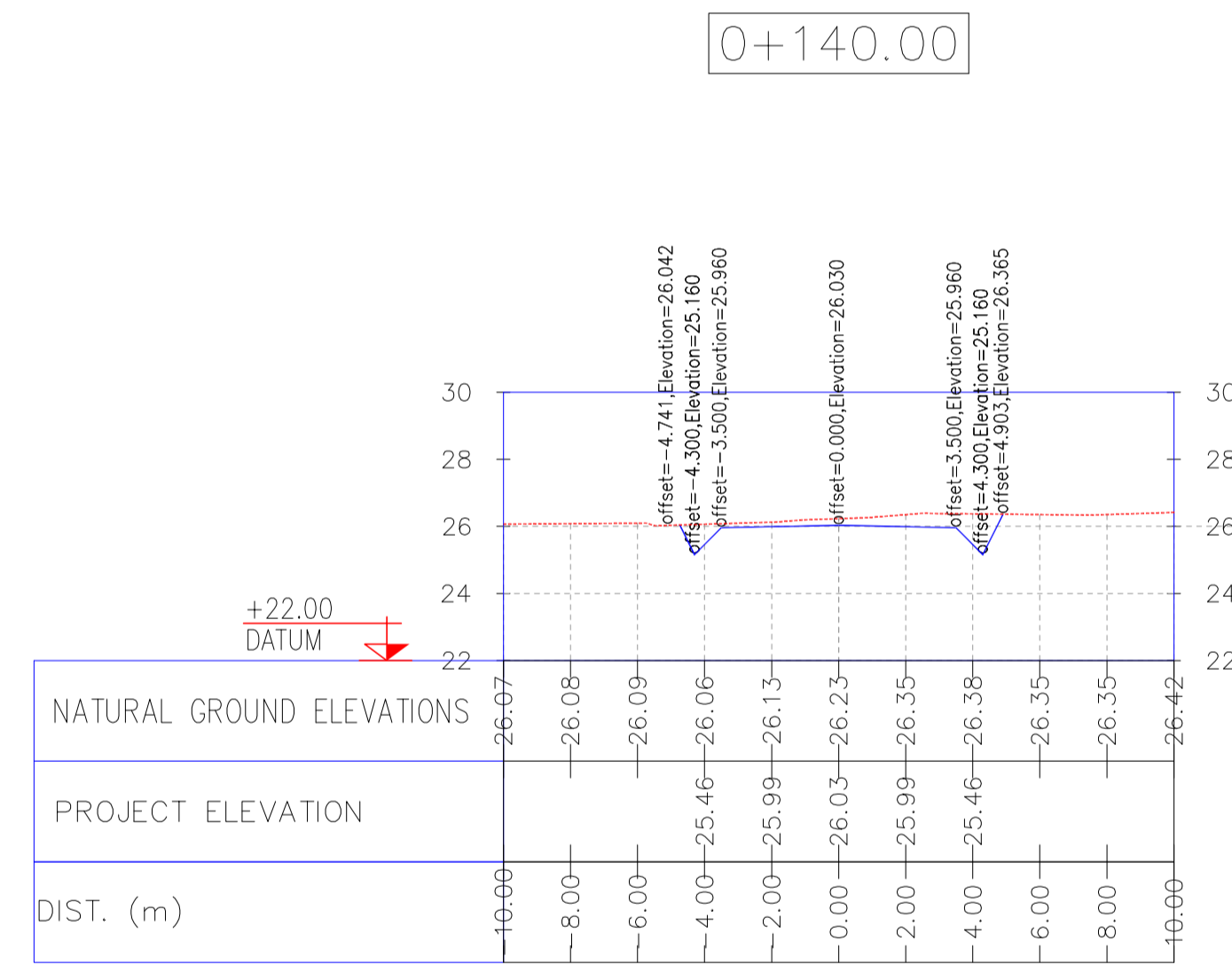
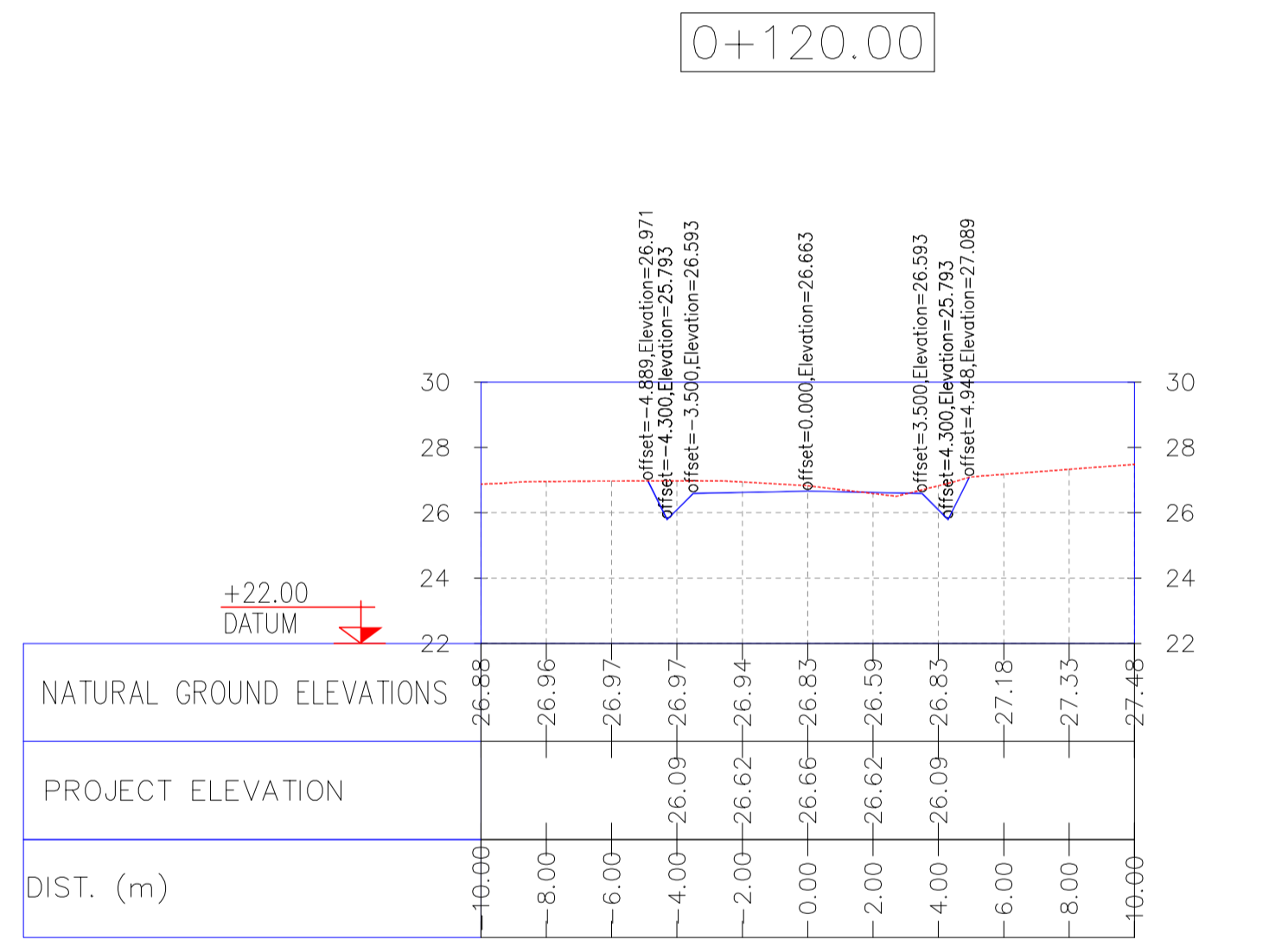
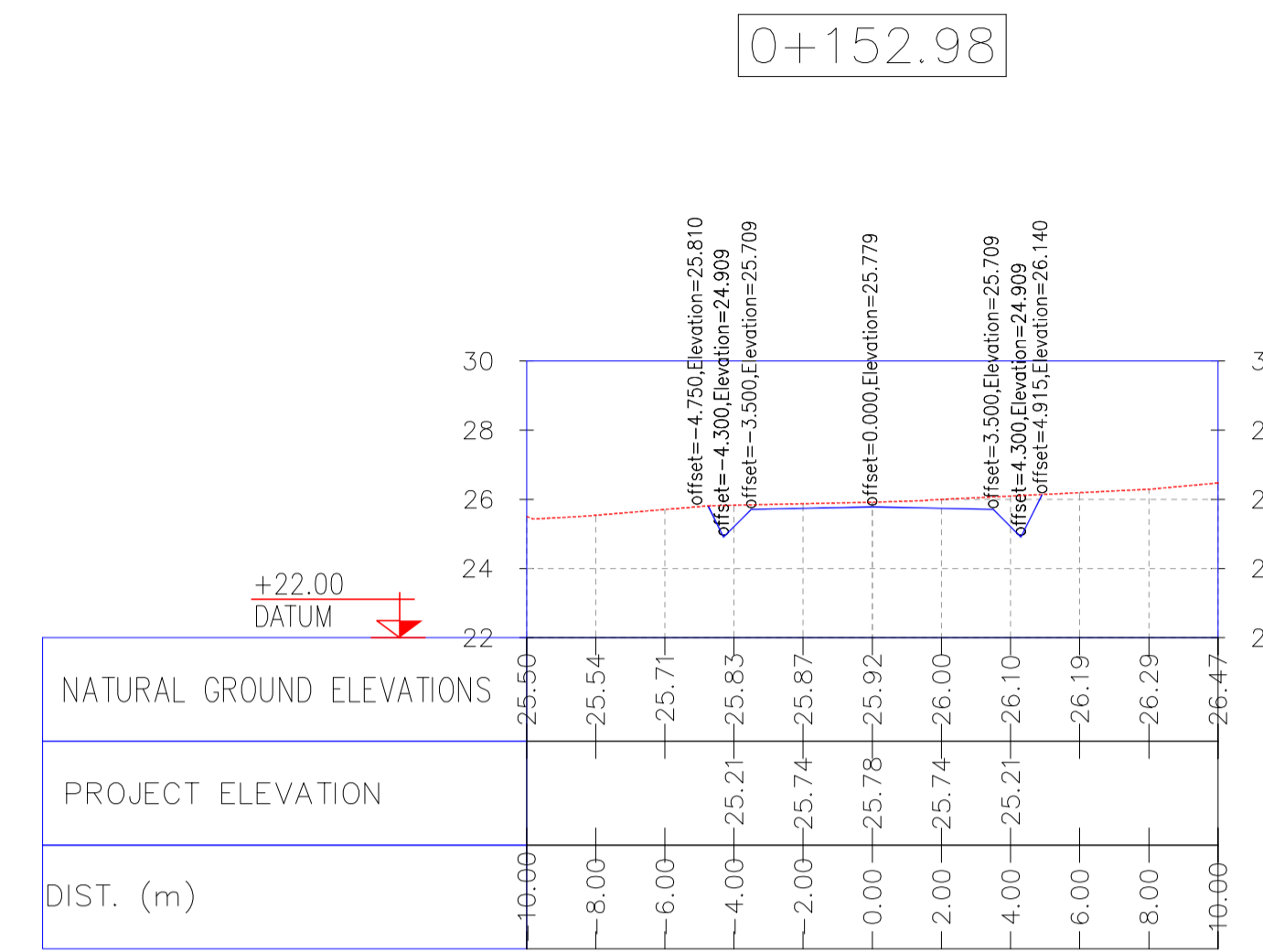
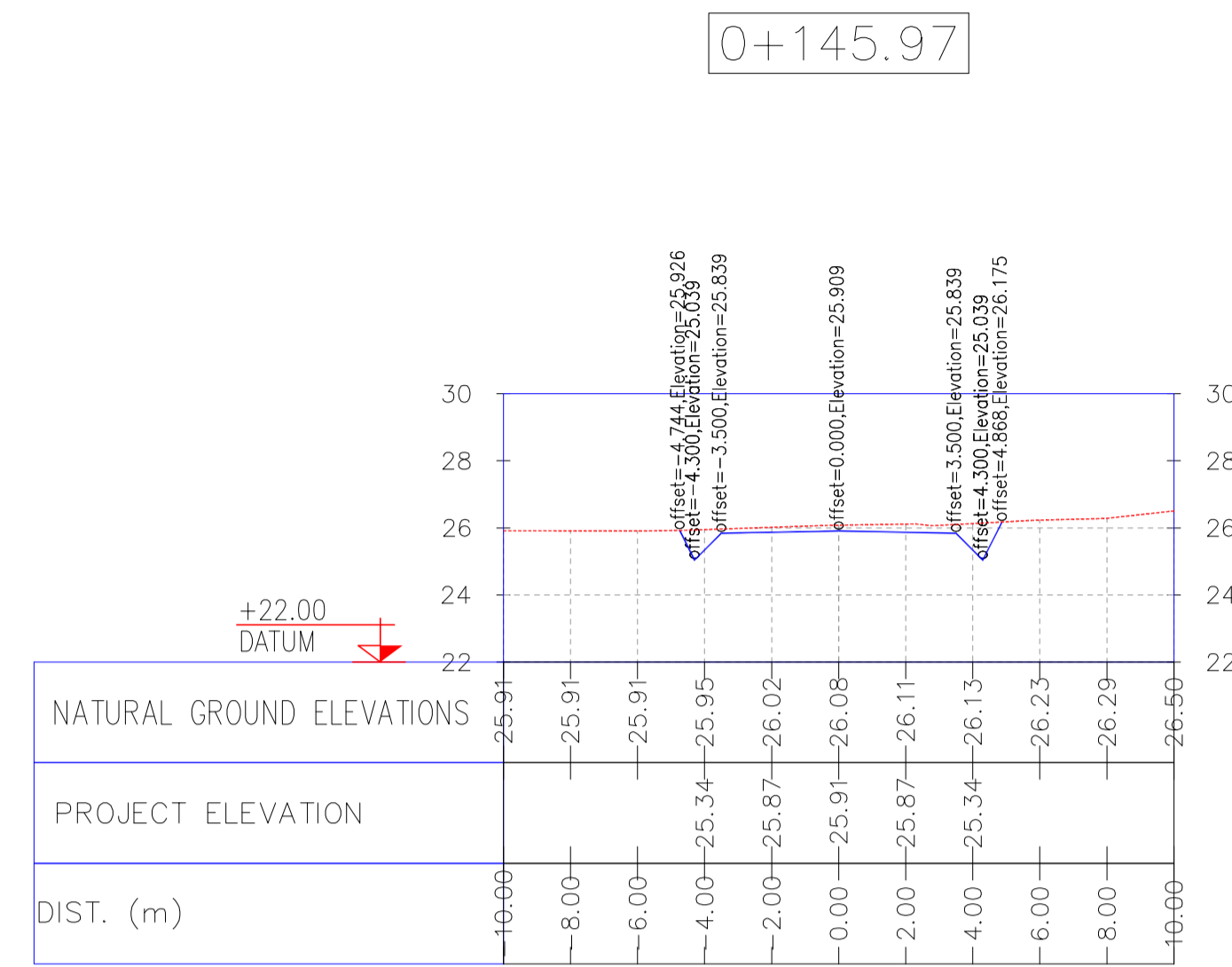
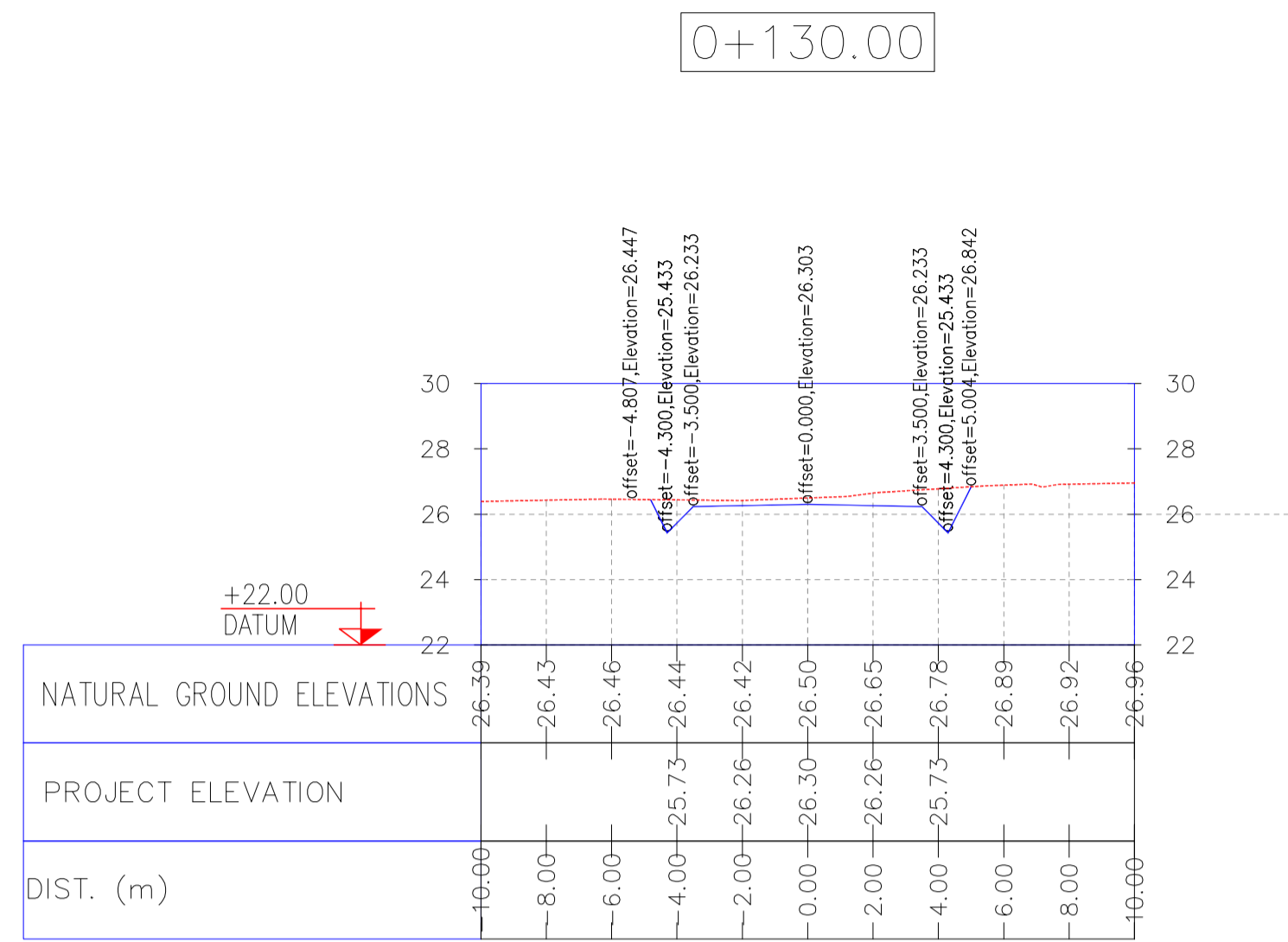
DRAWING TITLE: CIVIL AND STRUCTURAL DRAWINGS-W028S ACCESS ROAD TRANSVERSAL SECTIONS KM 70 ~110M

NO CONSTRUCTION PERMITTED UNLESS DRAWING APPROVED

DATE	SCALE	DRAWING BY	CHECKED BY	PROJECT ENG.

APPROVED FOR CONSTRUCTION	BY:	DATE:

SCALE	SIZE	DRAWING NO.	SHEET NO.	REV.	BUDGET REF.	LOCATION	SIZE	CLASS	SERIAL NO.	SHEET	REVISION
H=1/200 V=1/200	A1	BK-W028-PEDCO-110-CV-PY-0002	23 of 42	D05	053-073-9184	F	4	S	707548	23	D05



NOTES

- 1- ALL COORDINATES AND ELEVATIONS ARE IN METER.
- 2- ALL DRAWINGS SHALL BE CHECKED BY CONTRACTOR WITH RELATIVE DRAWINGS BEFORE CONSTRUCTION.
- 3- GEODETIC PARAMETERS FOR COORDINATES ARE AS BELOW:
 HORIZONTAL COORDINATE SYSTEM: WGS84/UTM ZONE 39
 ELLIPSOID : WORLD GEOETIC SYSTEM 1984 (WGS84)
 MAP PROJECTION: UNIVERSAL TRANSVERSE MERCATOR (UTM)
 VERTICAL DATUM: MSL

LEGEND

REFERENCE DRAWING	DRG. No.
General Civil Layout -W028	BK-W028-PEDCO-110-CV-PY-0001
Rough Grading Plans -W028	BK-W028-PEDCO-110-CV-DW-0001
Standard Drawing For Culvert & Details	BK-GNRAL-PEDCO-000-CV-DW-0014
Specification For Earth Work	BK-GNRAL-PEDCO-000-CV-SP-0004
Standard Drawing For Slope Protection Details	BK-GNRAL-PEDCO-000-CV-DW-0002

KEY PLAN

D05	JUL.2022	IPA	R. BERLOURI	M.PAKHARIAN	M.MEHRSHAD	***
D04	JUN.2022	IPA	R. BERLOURI	M.PAKHARIAN	M.MEHRSHAD	**
D03	MAY.2022	IPA	R. BERLOURI	M.PAKHARIAN	M.MEHRSHAD	**
D02	MAR.2022	IPA	R. BERLOURI	M.PAKHARIAN	M.MEHRSHAD	**
D01	NOV.2021	IPA	R. BERLOURI	M.PAKHARIAN	M.MEHRSHAD	**
D00	OCT.2021	IPC	R. BERLOURI	M.PAKHARIAN	SH.GHALIKAR	**

REV.	DATE	P.O.I.S	PREP.	CHK.	APP.	AUT.
***	*****	**	*****	**	*****	*****
REV.	DESCRIPTION	BY	DATE	BY	DATE	REV. APPR.
			CHECKED			

اصل و کليه نسخ اين نقشه و حق اقتباس متعلق به شرکت ملي مناطق نفت خيز جنوب مي باشد.
 THE ORIGINAL AND ALL COPIES OF THIS DRAWING TOGETHER WITH THE COPYRIGHT THEREIN ARE THE SOLE PROPERTY OF N.I.S.O.C./ FIELDS

PROJECT NAME: BINAK OILFIELD DEVELOPMENT/SUB-SURFACE WORK PACKAGES W028 WELLHEAD FACILITIES

PROJECT NO.: 971020

EPC CONTRACTOR: HIRGAN ENERGY - DESIGN & INSPECTION COMPANIES

EPD/EPC CONTRACTOR(GC): PETROIRAN DEVELOPMENT COMPANY

DRAWING TITLE: CIVIL AND STRUCTURAL DRAWINGS-W028S ACCESS ROAD TRANSVERSAL SECTIONS KM 130 ~152.98M

SCALE: H=1/200, V=1/200, SIZE: A1, DRAWING NO.: BK-W028-PEDCO-110-CV-PY-0002, SHEET NO.: 24 of 42, REV.: D05

BUDGET REF.: 053-073-9184, LOCATION: F, SIZE: 4, CLASS: S, SERIAL NO.: 707548, SHEET: 24, REVISION: D05

DATE	SCALE	DRAWING BY	CHECKED BY	PROJECT ENG.

NO CONSTRUCTION PERMITTED UNLESS DRAWING APPROVED

APPROVED FOR CONSTRUCTION	BY:	DATE:

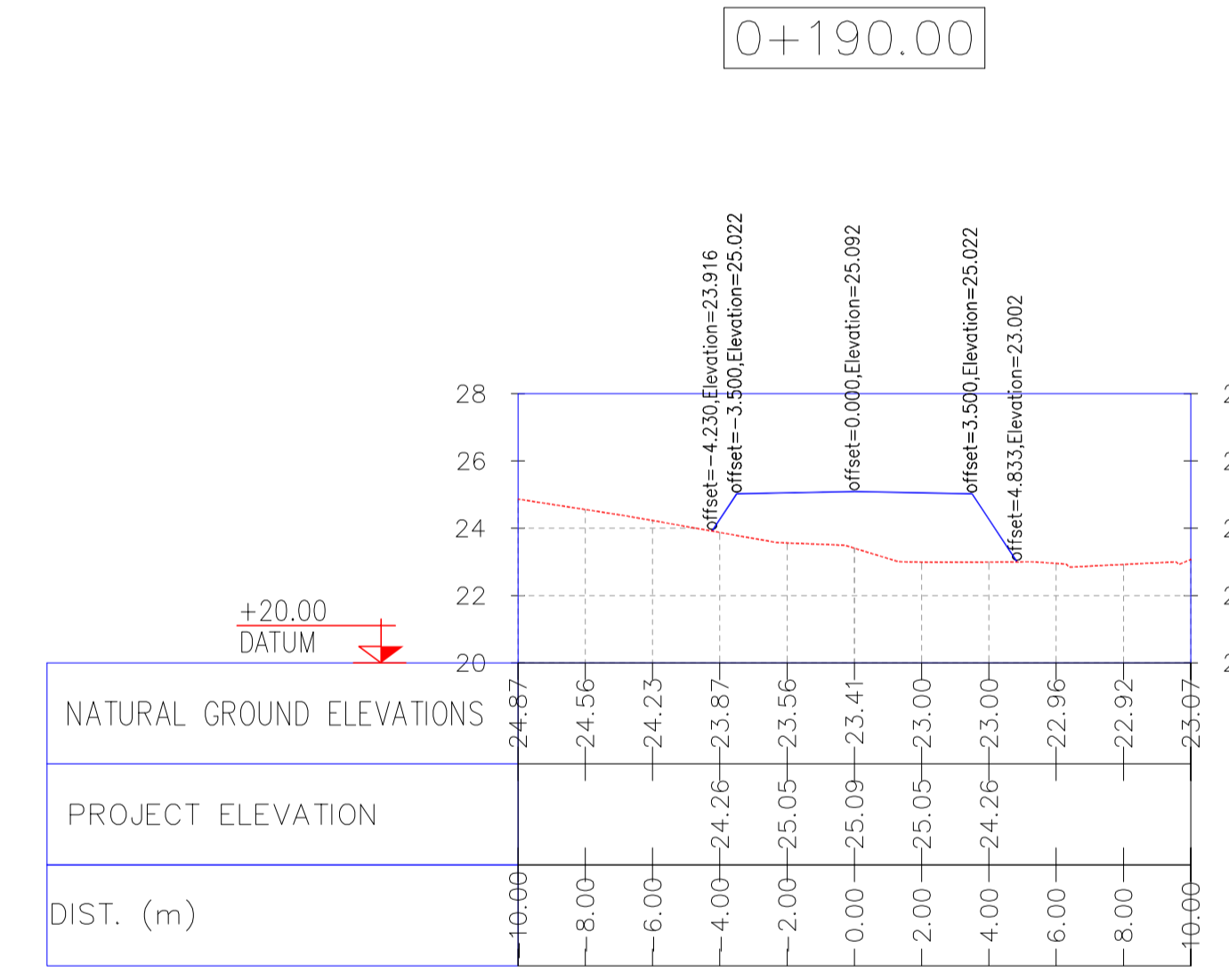
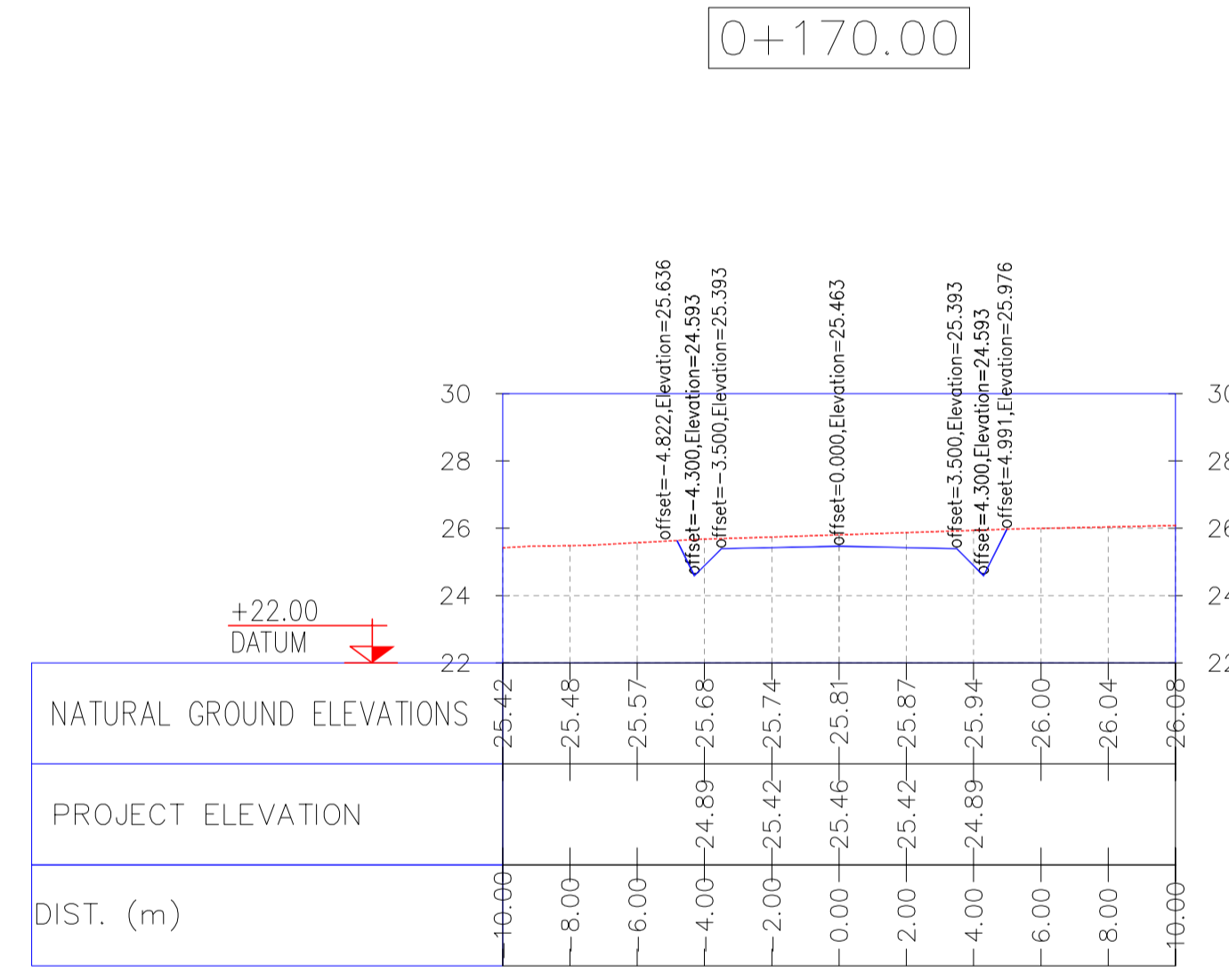
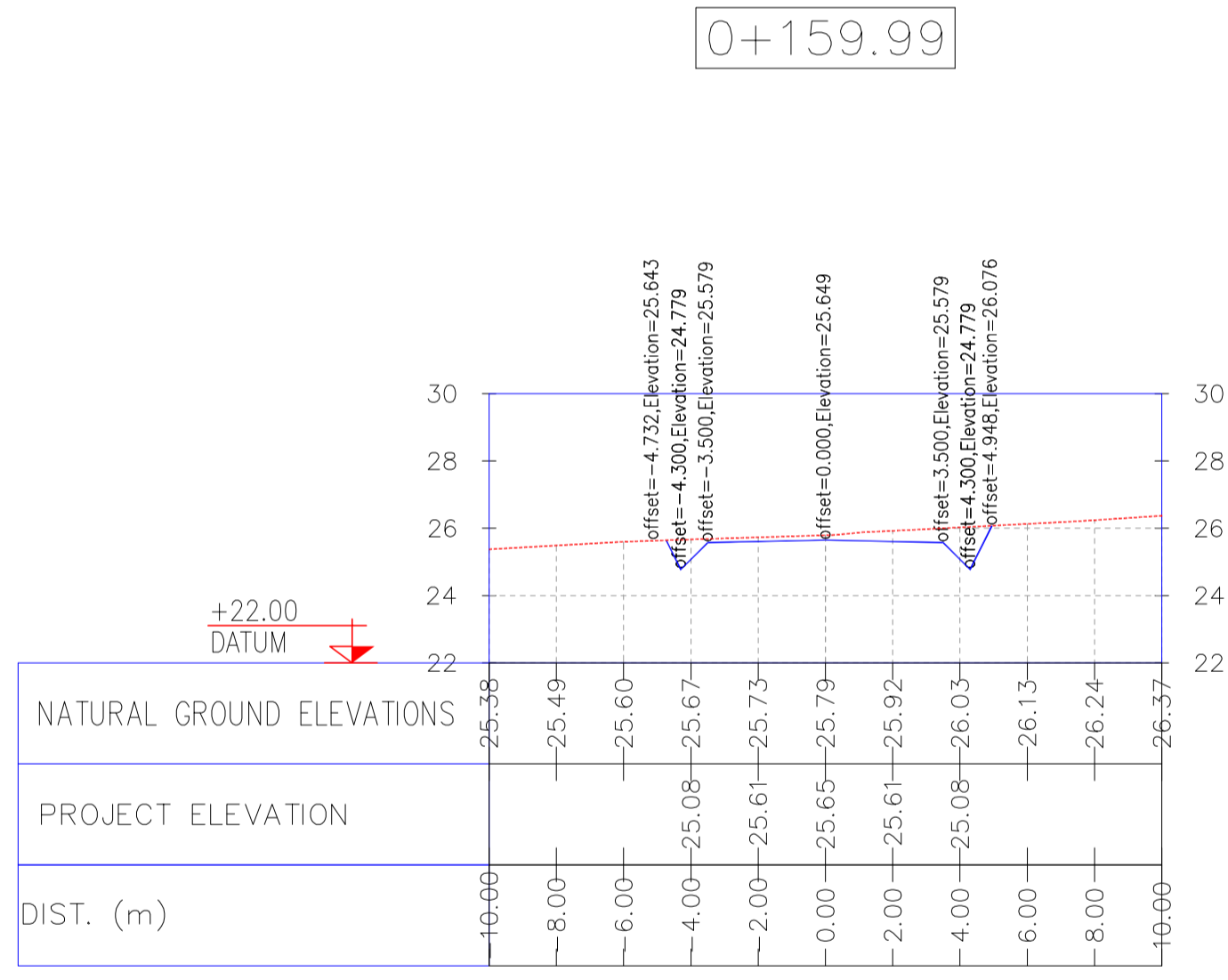
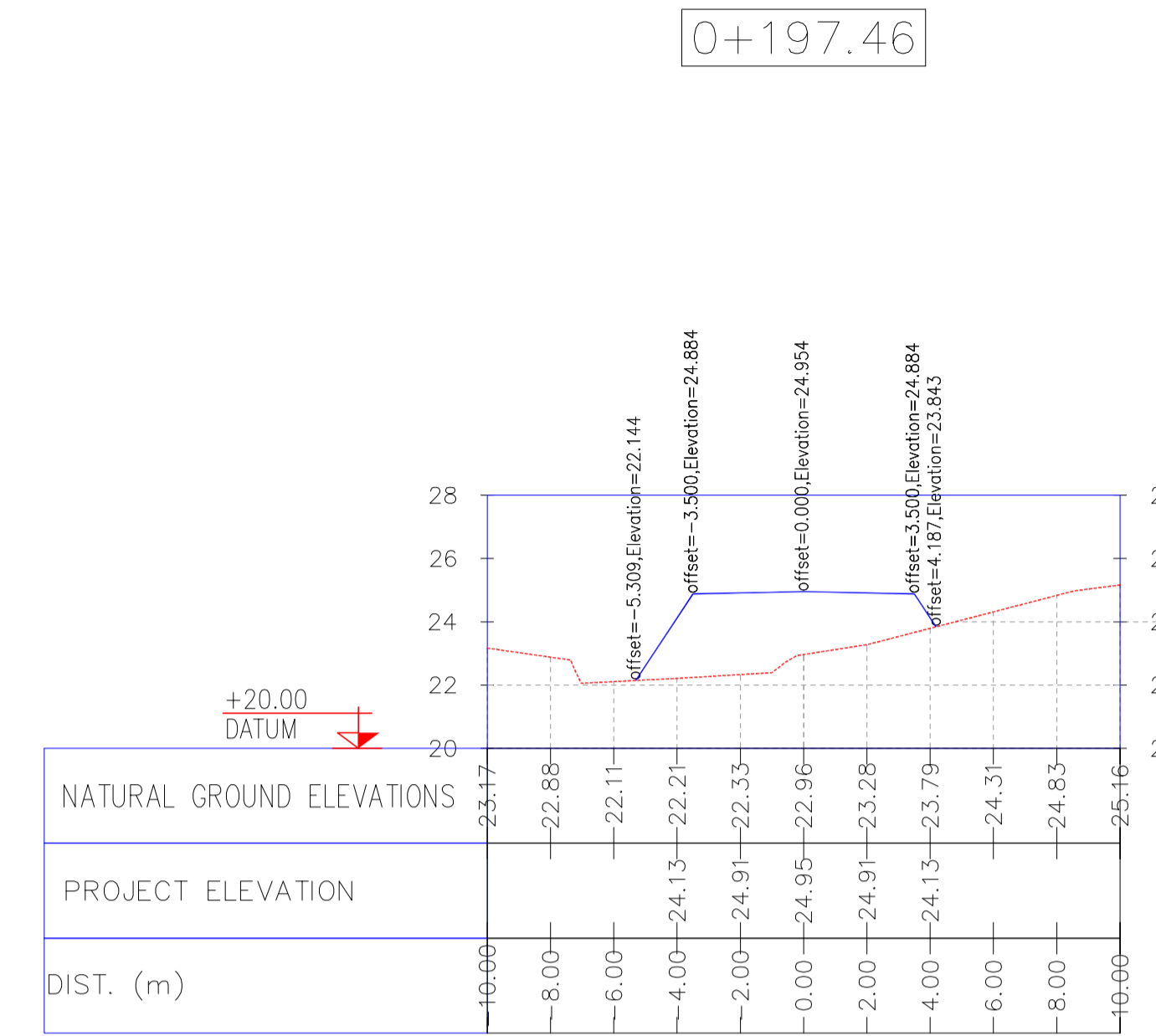
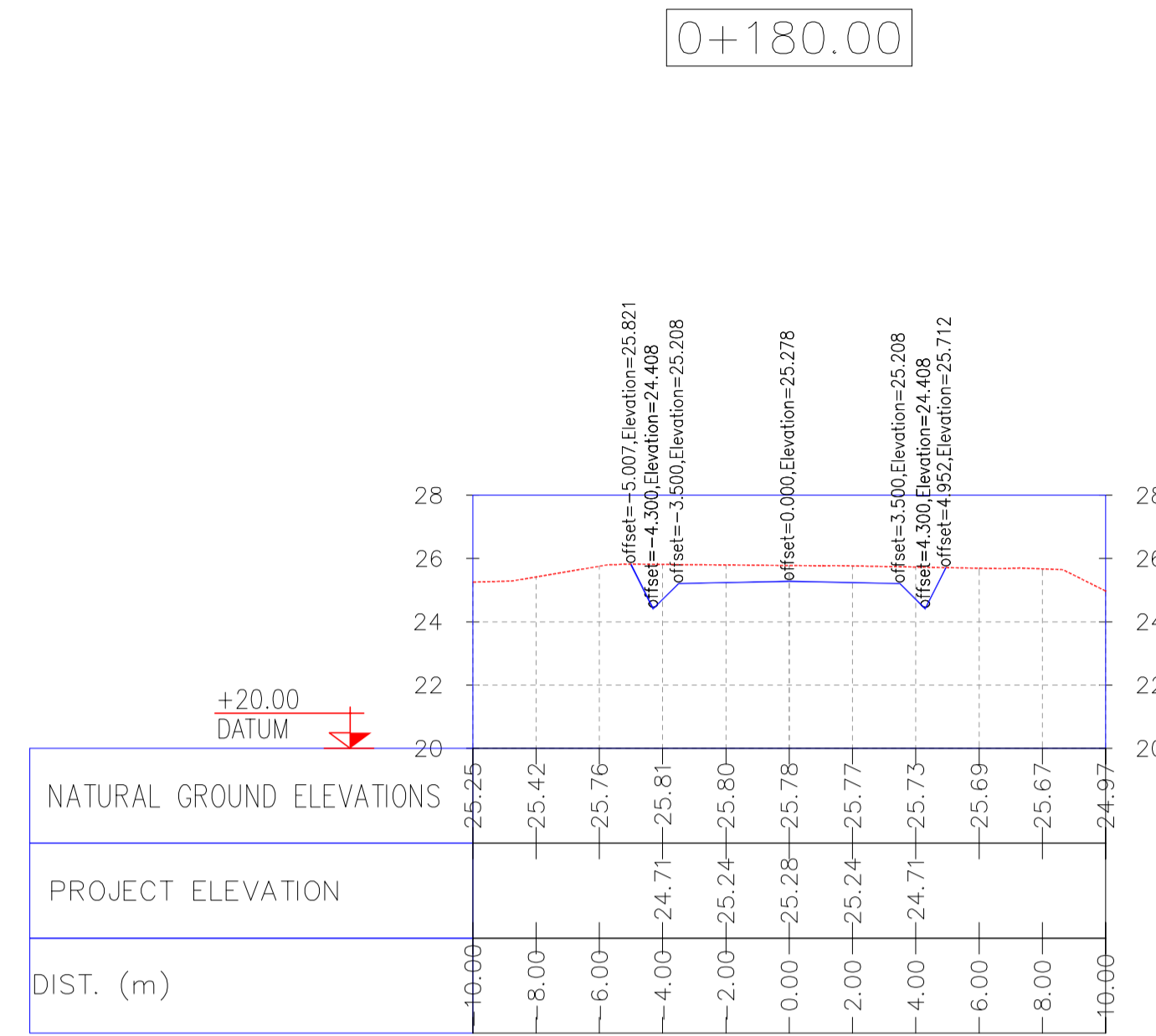
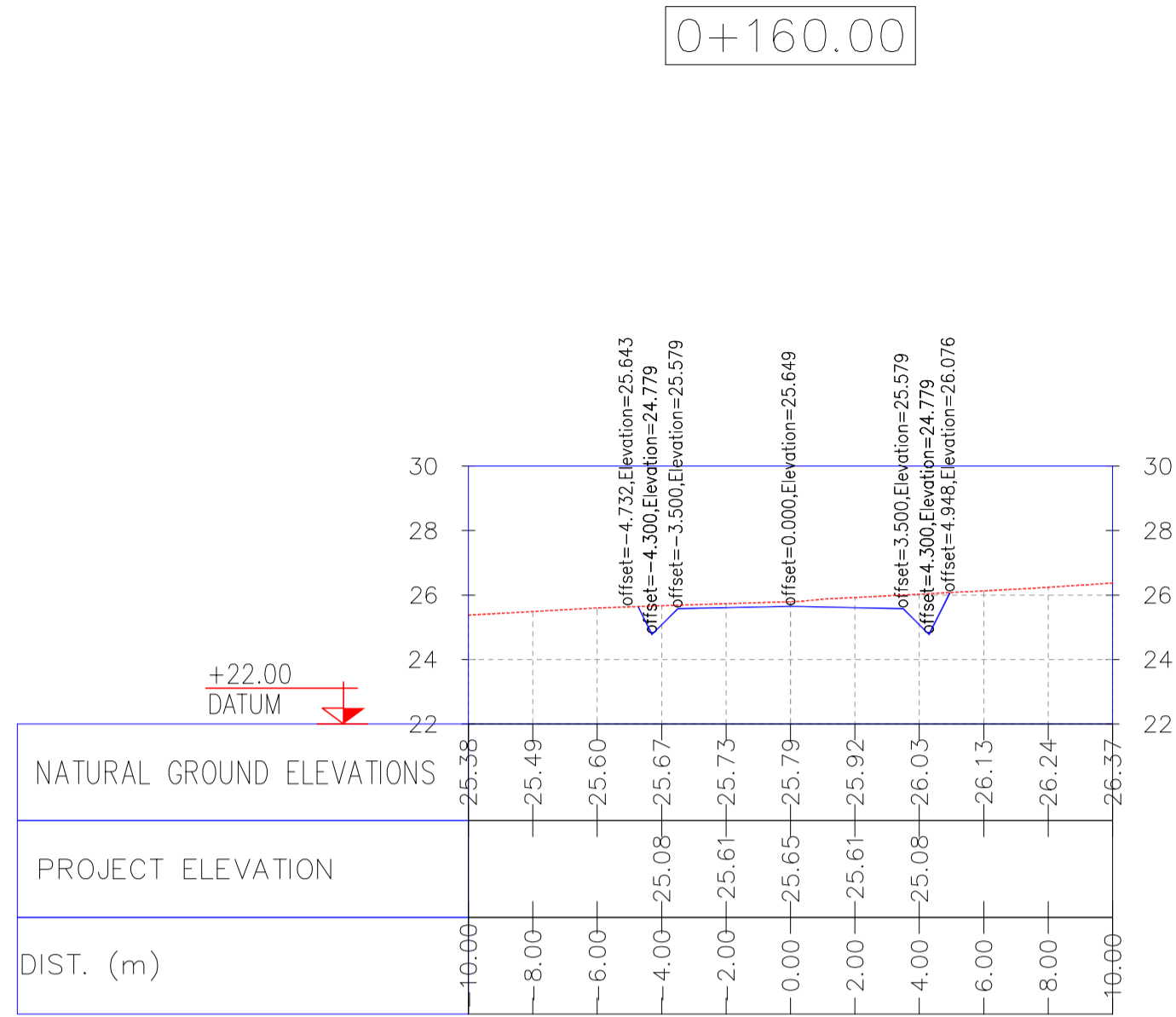
NOTES

- 1- ALL COORDINATES AND ELEVATIONS ARE IN METER.
- 2- ALL DRAWINGS SHALL BE CHECKED BY CONTRACTOR WITH RELATIVE DRAWINGS BEFORE CONSTRUCTION.
- 3- GEODETIC PARAMETERS FOR COORDINATES ARE AS BELOW:
 HORIZONTAL COORDINATE SYSTEM: WGS84/UTM ZONE 39
 ELLIPSOID : WORLD GEODETTIC SYSTEM 1984 (WGS84)
 MAP PROJECTION: UNIVERSAL TRANSVERSE MERCATOR (UTM)
 VERTICAL DATUM: MSL

LEGEND

REFERENCE DRAWING	DRG. No.
General Civil Layout -W028	BK-W028-PEDCO-110-CV-PY-0001
Rough Grading Plans -W028	BK-W028-PEDCO-110-CV-DW-0001
Standard Drawing For Culvert & Details	BK-GNRL-PEDCO-000-CV-DW-0014
Specification For Earth Work	BK-GNRL-PEDCO-000-CV-SP-0004
Standard Drawing For Slope Protection Details	BK-GNRL-PEDCO-000-CV-DW-0002

KEY PLAN



D05	JUL.2022	IPA	R. BERLOURI	M.PAKHARIAN	M.MEHRSHAD	***
D04	JUN.2022	IPA	R. BERLOURI	M.PAKHARIAN	M.MEHRSHAD	**
D03	MAY.2022	IPA	R. BERLOURI	M.PAKHARIAN	M.MEHRSHAD	**
D02	MAR.2022	IPA	R. BERLOURI	M.PAKHARIAN	M.MEHRSHAD	**
D01	NOV.2021	IPA	R. BERLOURI	M.PAKHARIAN	M.MEHRSHAD	**
D00	OCT.2021	IPC	R. BERLOURI	M.PAKHARIAN	SH.GHALIKAR	**
REV.	DATE	P.O.I.S	PREP.	CHK.	APP.	AUT.
PROJECT NAME: BINAK OILFIELD DEVELOPMENT/SUB-SURFACE WORK PACKAGES W028 WELLHEAD FACILITIES						
PROJECT NO.: 971020						
EPC CONTRACTOR:			EPD/EPC CONTRACTOR(GC):			
DRAWING TITLE: CIVIL AND STRUCTURAL DRAWINGS-W028S ACCESS ROAD TRANSVERSAL SECTIONS KM 160 ~197.46M						
SCALE	SIZE	DRAWING NO.		SHEET NO.	REV.	
H=1/200 V=1/200	A1	BK-W028-PEDCO-110-CV-PY-0002		25 of 42	D05	
BUDGET REF.	LOCATION	SIZE	CLASS	SERIAL NO.	SHEET	REVISION
053-073-9184	F	4	S	707548	25	D05

اسم و کلیه نسخ این نقشه و حق اقتباس متعلق به شرکت ملی مناطق نفت خیز جنوب میباشد.

THE ORIGINAL AND ALL COPIES OF THIS DRAWING TOGETHER WITH THE COPYRIGHT THEREIN ARE THE SOLE PROPERTY OF N.I.S.O.C./ FIELDS

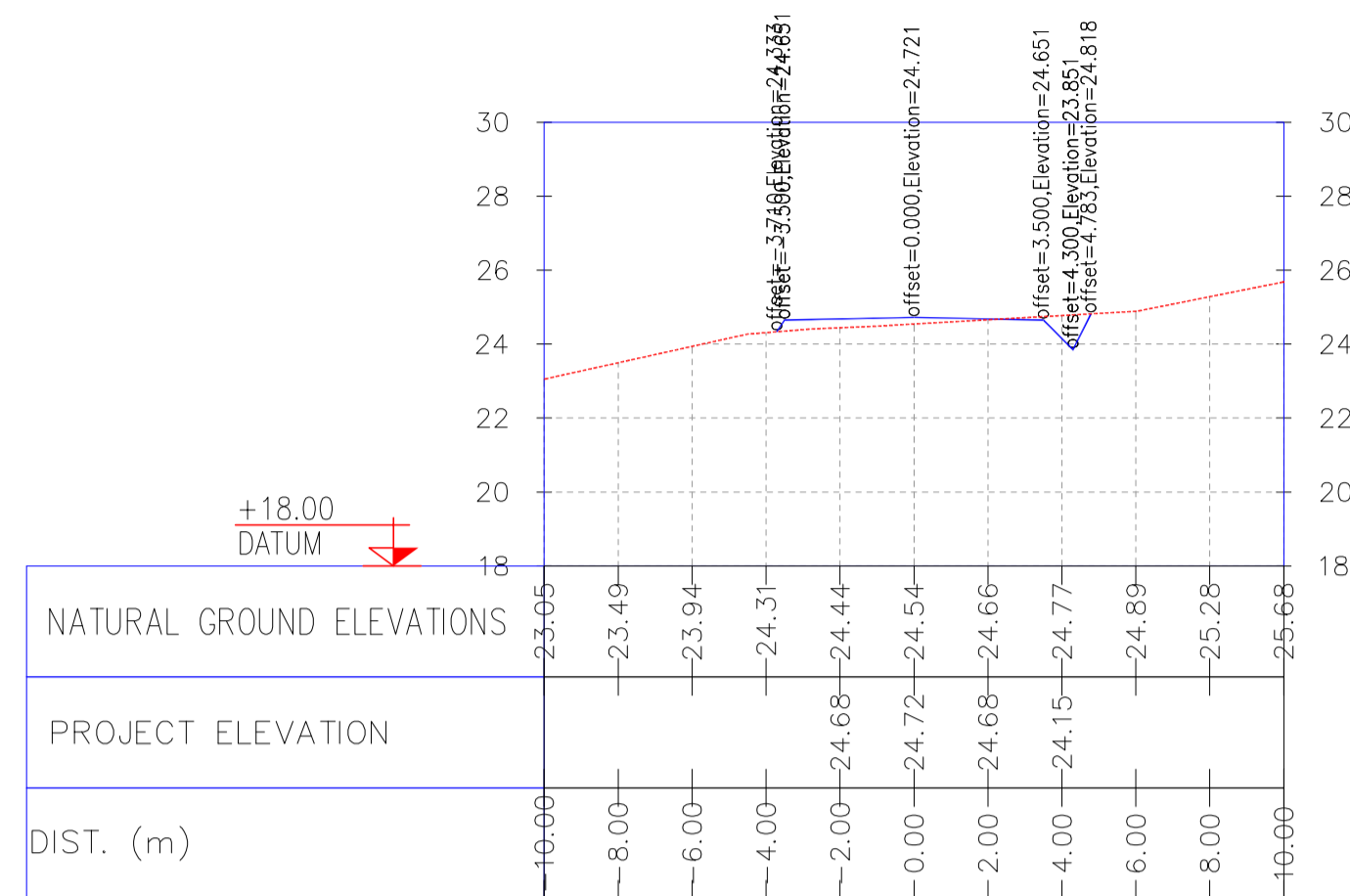
BINAK OILFIELD DEVELOPMENT SUB-SURFACE WORK PACKAGES W028 WELLHEAD FACILITIES

DATE	SCALE	DRAWING BY	CHECKED BY	PROJECT ENG.

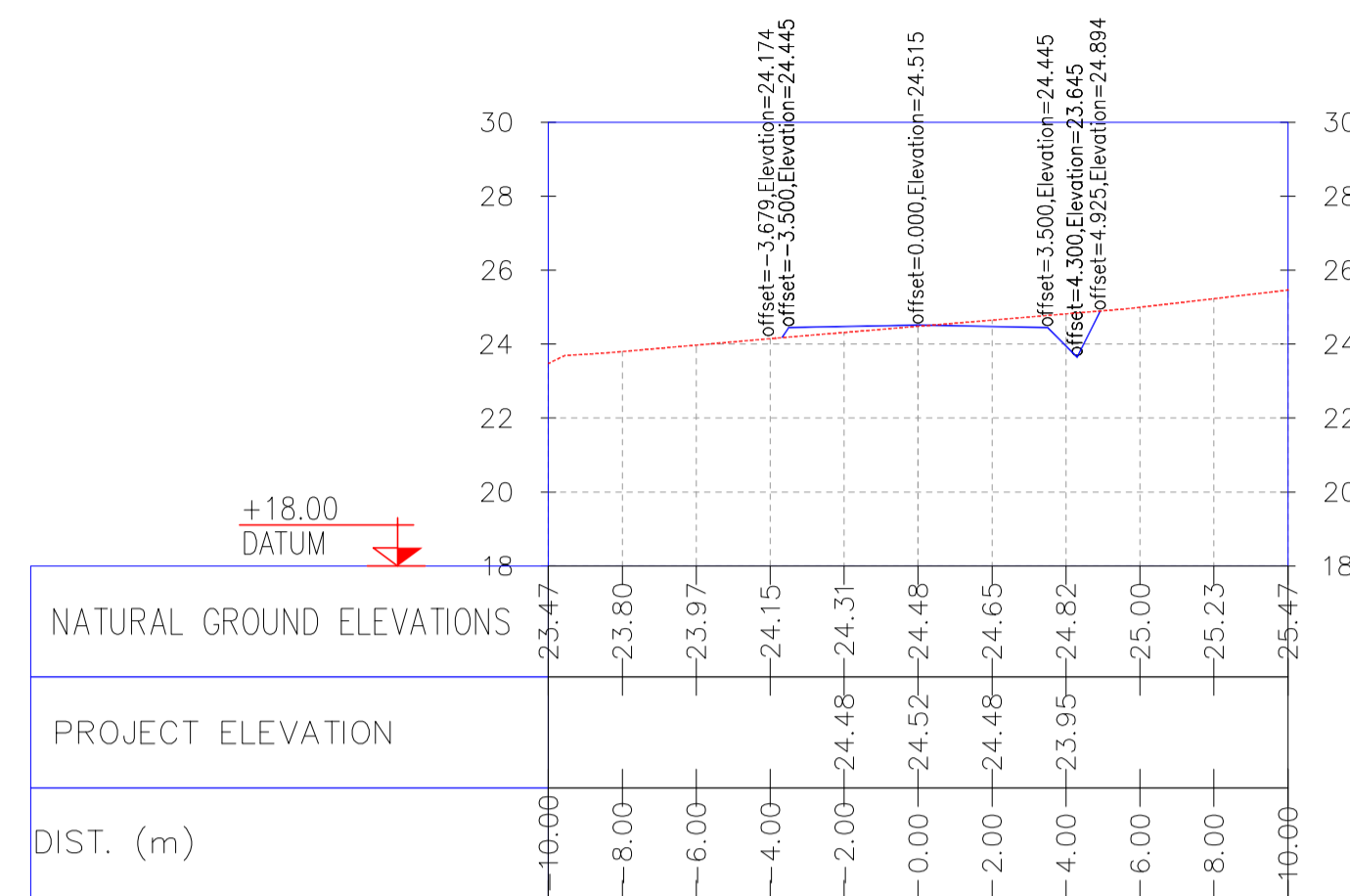
NO CONSTRUCTION PERMITTED UNLESS DRAWING APPROVED

APPROVED FOR CONSTRUCTION	BY:	DATE:

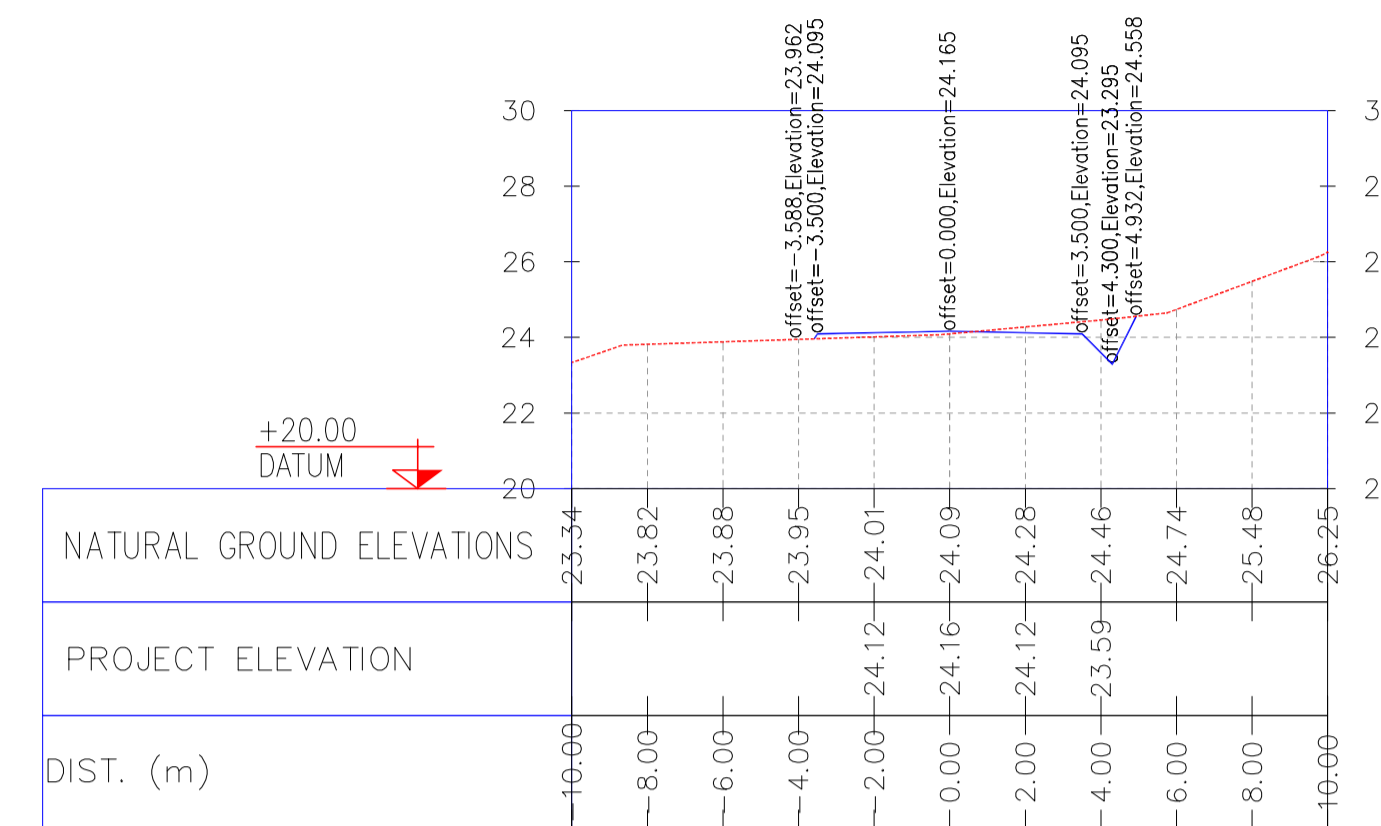
0+210.00



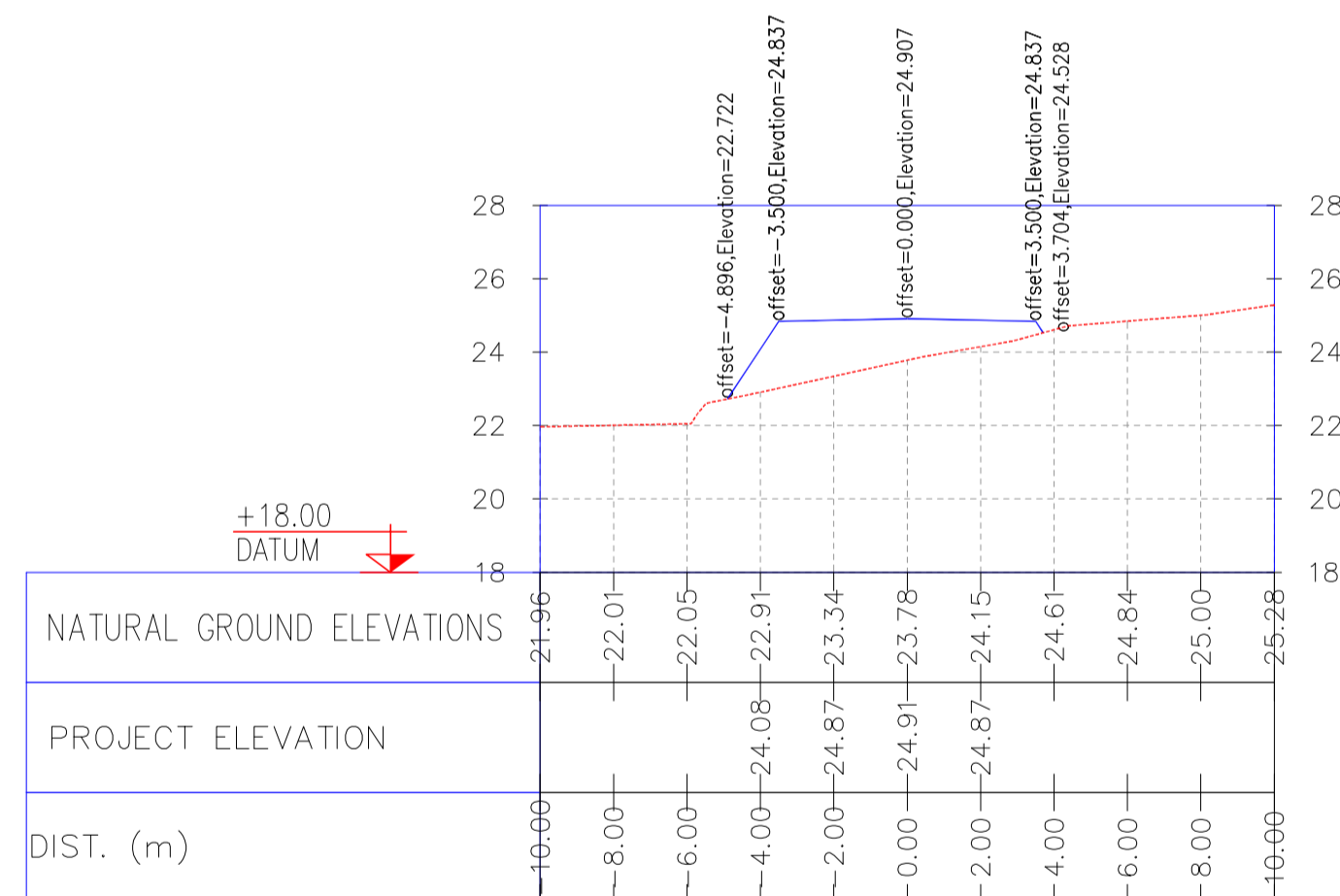
0+221.11



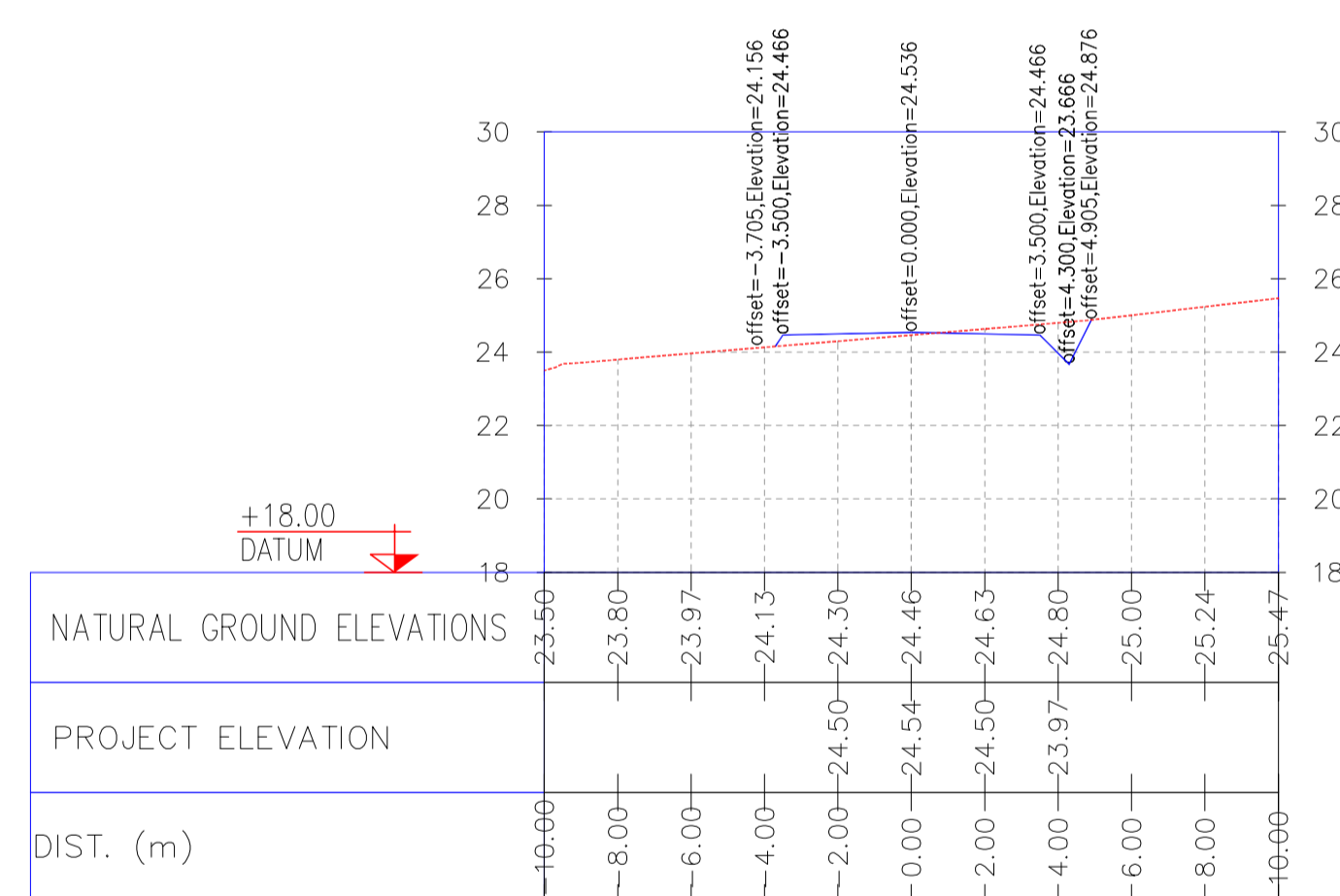
0+240.00



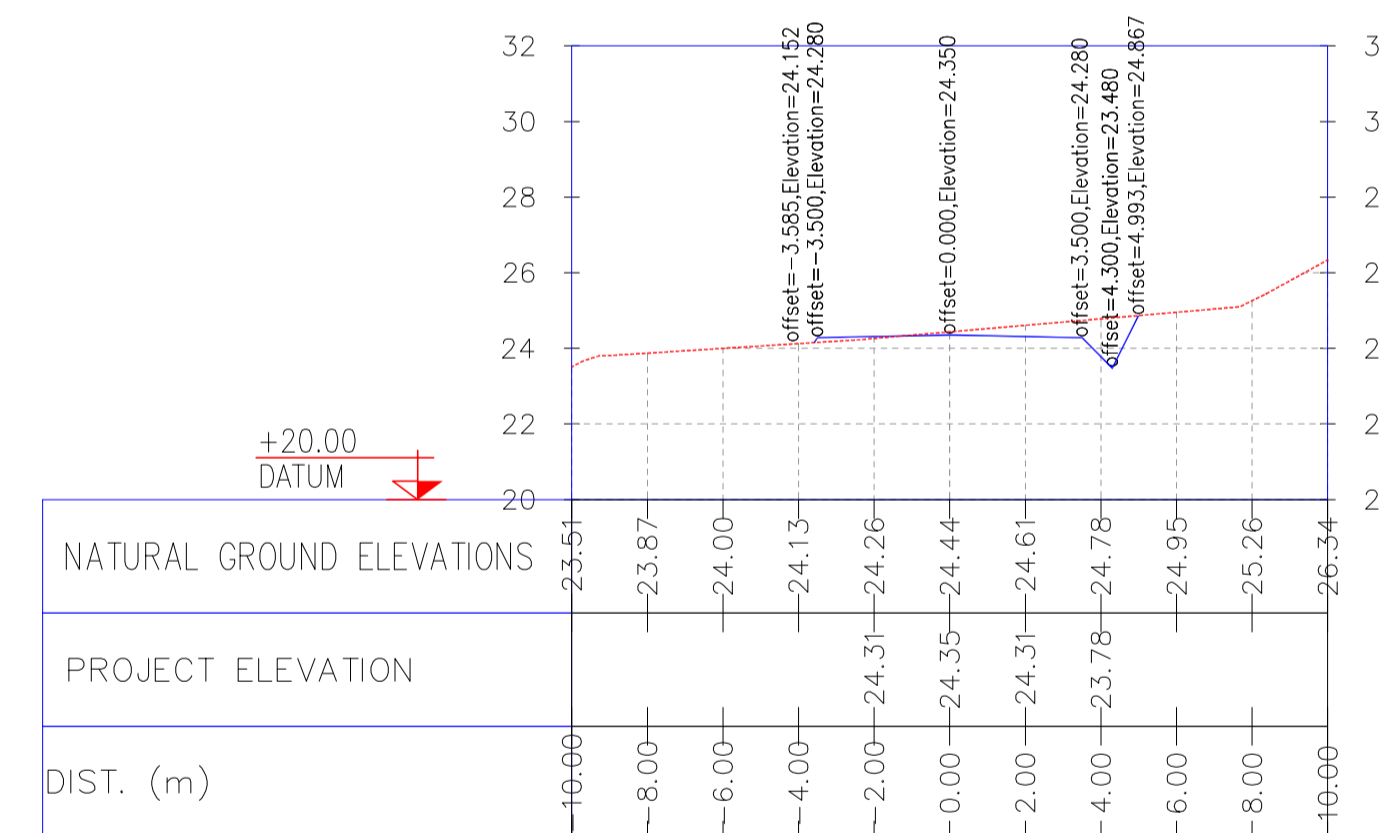
0+200.00



0+220.00



0+230.00



NOTES
 1- ALL COORDINATES AND ELEVATIONS ARE IN METER.
 2- ALL DRAWINGS SHALL BE CHECKED BY CONTRACTOR WITH RELATIVE DRAWINGS BEFORE CONSTRUCTION.
 3- GEODETIC PARAMETERS FOR COORDINATES ARE AS BELOW:
 HORIZONTAL COORDINATE SYSTEM: WGS84/UTM ZONE 39
 ELLIPSOID : WORLD GEOIDETIC SYSTEM 1984 (WGS84)
 MAP PROJECTION: UNIVERSAL TRANSVERSE MERCATOR (UTM)
 VERTICAL DATUM: MSL

LEGEND

REFERENCE DRAWING	DRG. No.
General Civil Layout -W028	BK-W028-PEDCO-110-CV-PY-0001
Rough Grading Plans -W028	BK-W028-PEDCO-110-CV-DW-0001
Standard Drawing For Culvert & Details	BK-GNRAI-PEDCO-000-CV-DW-0014
Specification For Earth Work	BK-GNRAI-PEDCO-000-CV-SP-0004
Standard Drawing For Slope Protection Details	BK-GNRAI-PEDCO-000-CV-DW-0002

KEY PLAN

D05	JUL.2022	IPA	R. BERLOURI	M.PAKHARIAN	M.MEHRSHAD	***
D04	JUN.2022	IPA	R. BERLOURI	M.PAKHARIAN	M.MEHRSHAD	**
D03	MAY.2022	IPA	R. BERLOURI	M.PAKHARIAN	M.MEHRSHAD	**
D02	MAR.2022	IPA	R. BERLOURI	M.PAKHARIAN	M.MEHRSHAD	**
D01	NOV.2021	IPA	R. BERLOURI	M.PAKHARIAN	M.MEHRSHAD	**
D00	OCT.2021	IPC	R. BERLOURI	M.PAKHARIAN	SH.GHALIKAR	**
REV.	DATE	P.O.I.S	PREP.	CHK.	APP.	AUT.
PROJECT NAME: BINAK OILFIELD DEVELOPMENT/SUB-SURFACE WORK PACKAGES W028 WELLHEAD FACILITIES						
PROJECT NO.: 971020						
EPC CONTRACTOR: HIRGAN ENERGY - DESIGN & INSPECTION COMPANIES			EPD/EPC CONTRACTOR(GC): PETROIRAN DEVELOPMENT COMPANY			
DRAWING TITLE: CIVIL AND STRUCTURAL DRAWINGS-W028S ACCESS ROAD TRANSVERSAL SECTIONS KM 210~240M						
SCALE	SIZE	DRAWING NO.		SHEET NO.	REV.	
H=1/200 V=1/200	A1	BK-W028-PEDCO-110-CV-PY-0002		26 of 42	D05	
BUDGET REF.	LOCATION	SIZE	CLASS	SERIAL NO.	SHEET	REVISION
053-073-9184	F	4	S	707548	26	D05

اصل و کلیه نسخ این نقشه و حق اقتباس متعلق به شرکت ملی مناطق نفت خیز جنوب میباشد.

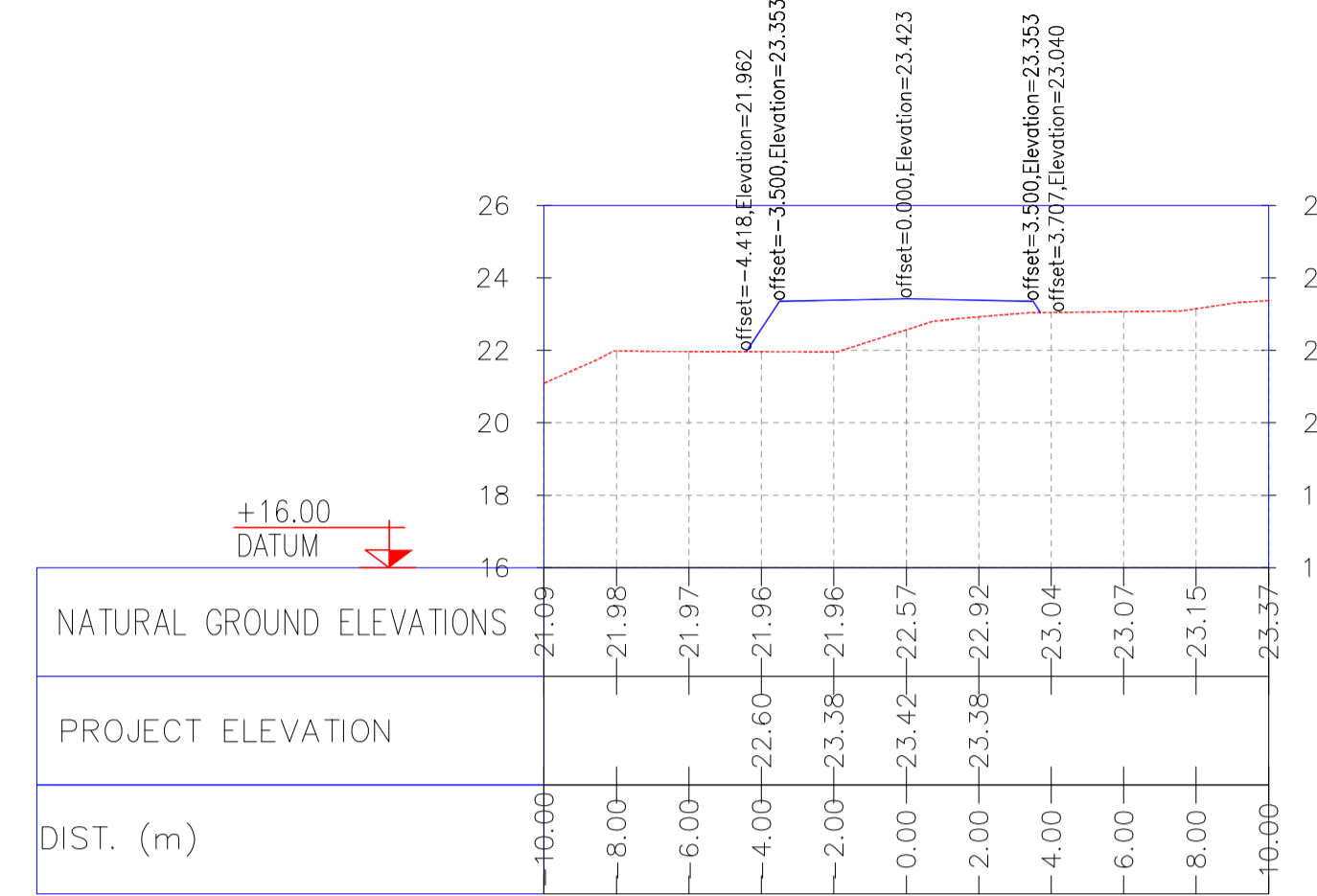
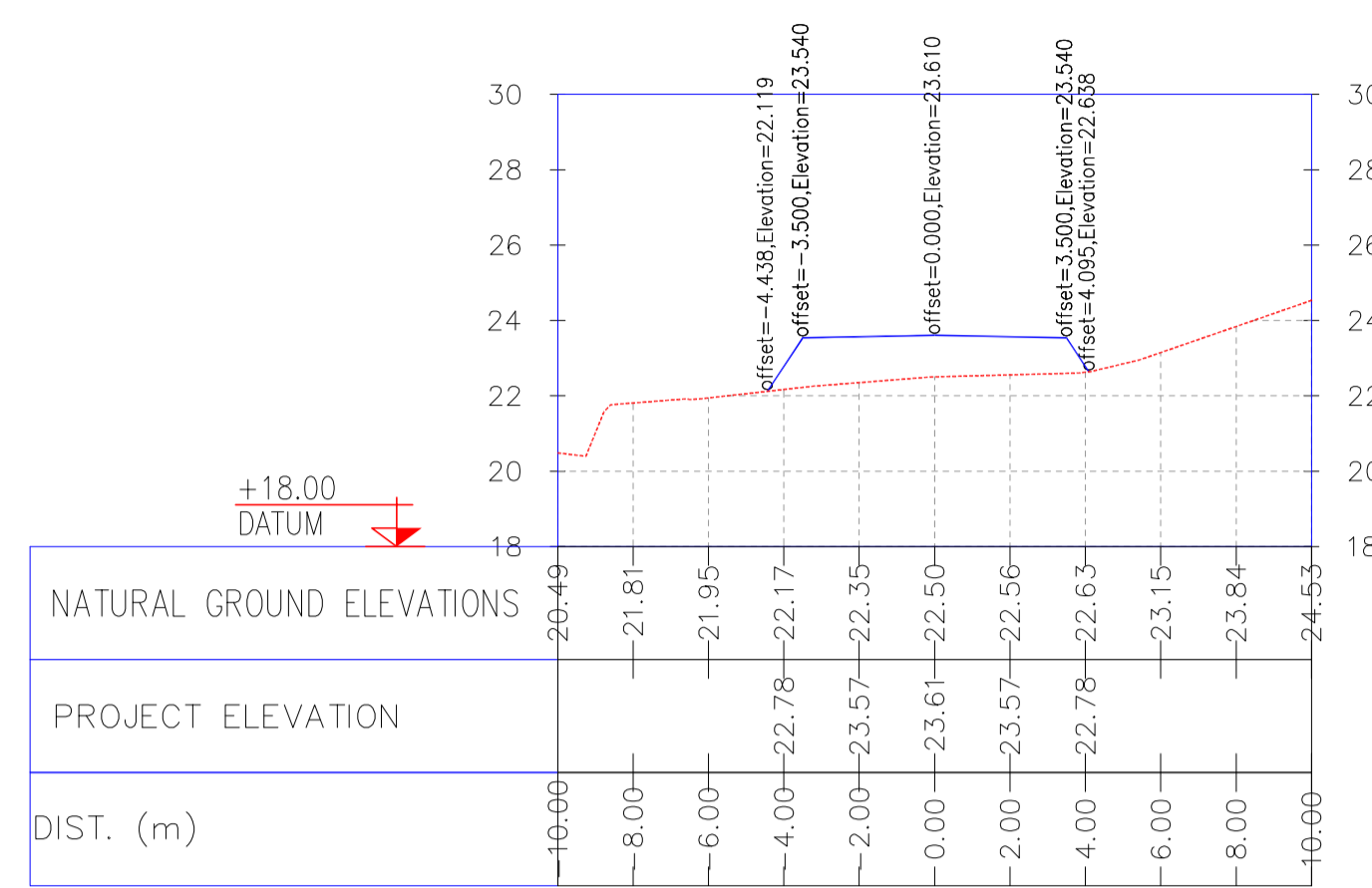
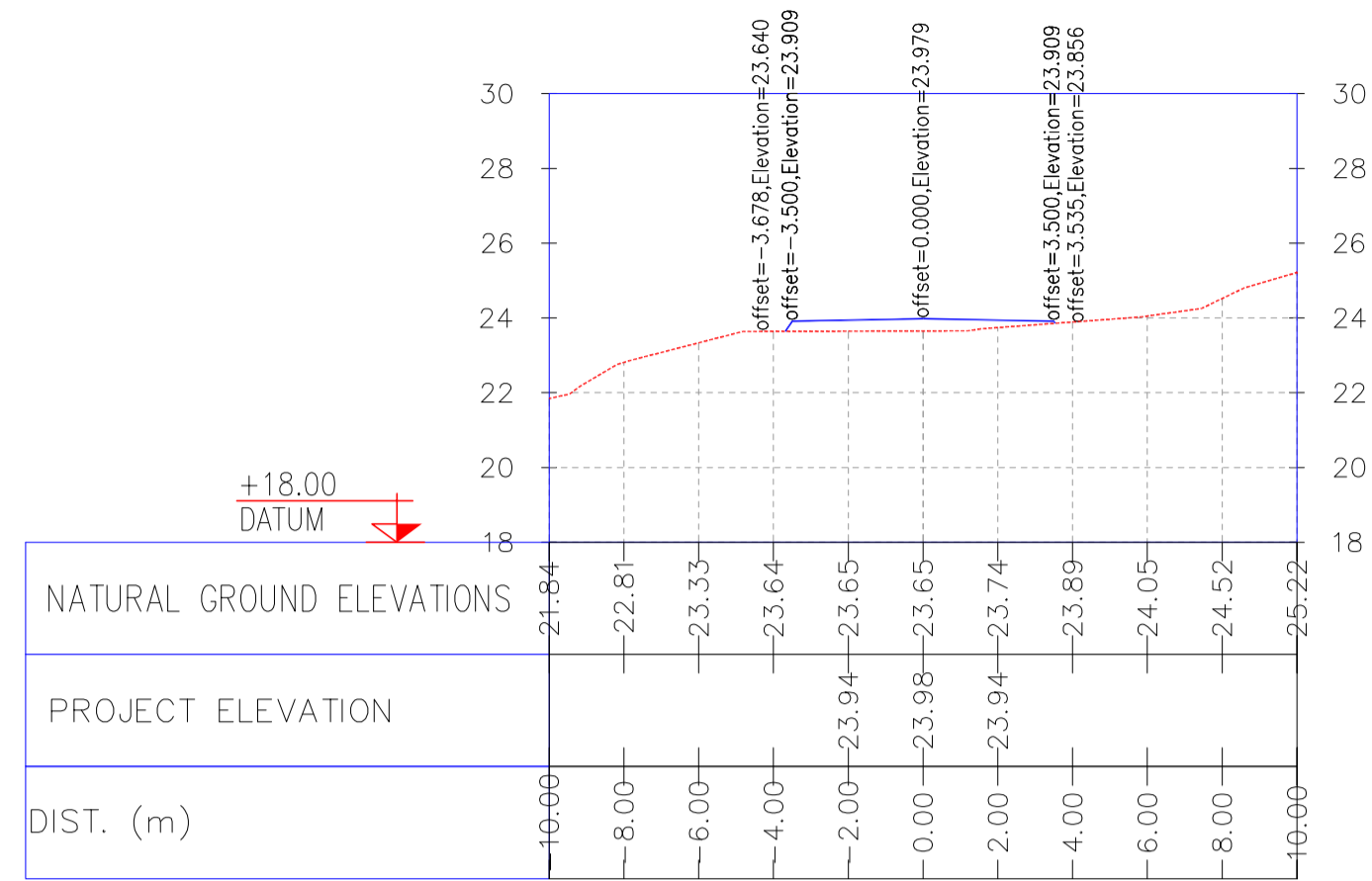
THE ORIGINAL AND ALL COPIES OF THIS DRAWING TOGETHER WITH THE COPYRIGHT THEREIN ARE THE SOLE PROPERTY OF N.I.S.O.C./ FIELDS

DATE	SCALE	DRAWING BY	CHECKED BY	PROJECT ENG.
NO CONSTRUCTION PERMITTED UNLESS DRAWING APPROVED				
APPROVED FOR CONSTRUCTION			BY:	DATE:

0+250.00

0+269.91

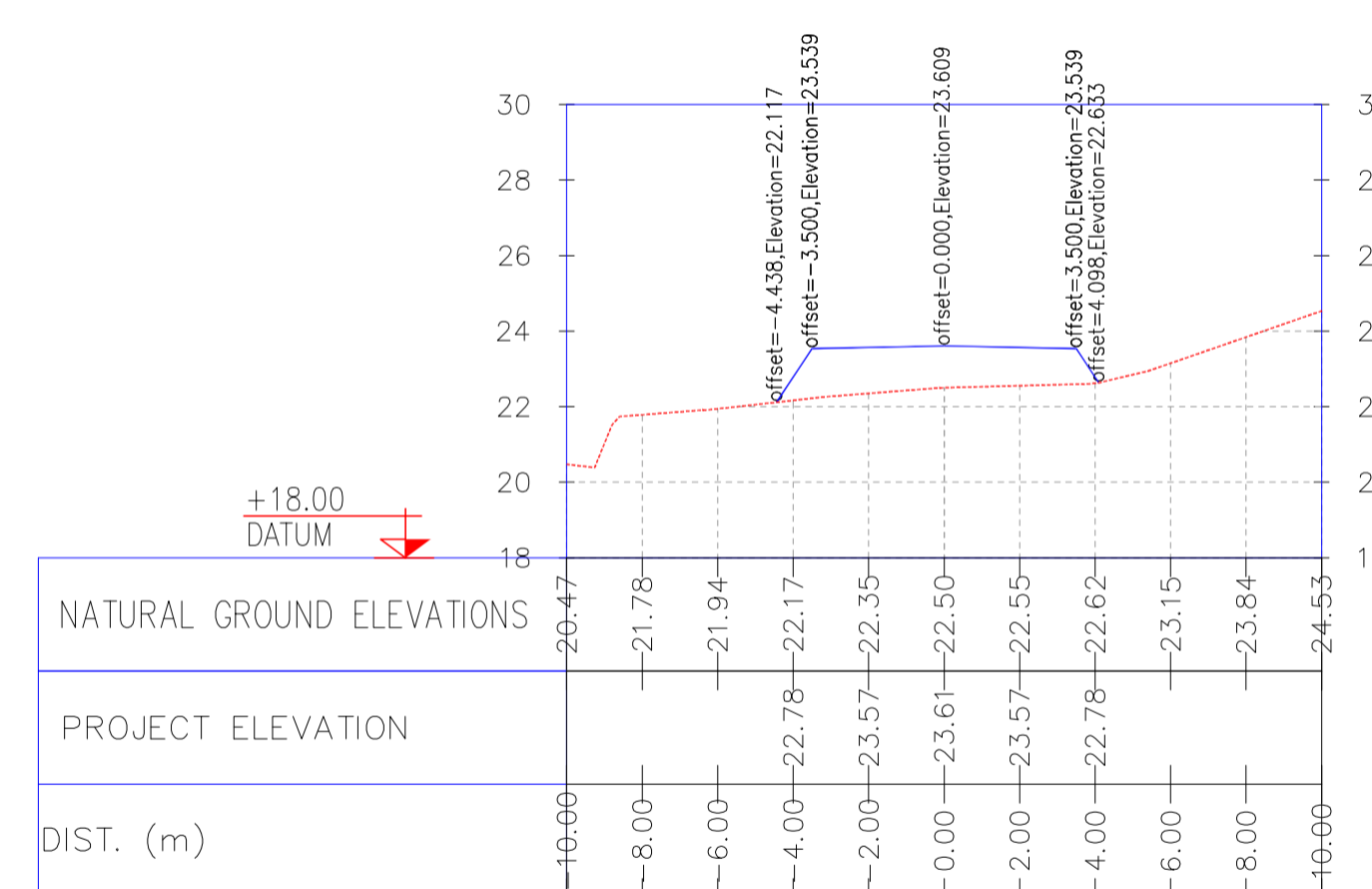
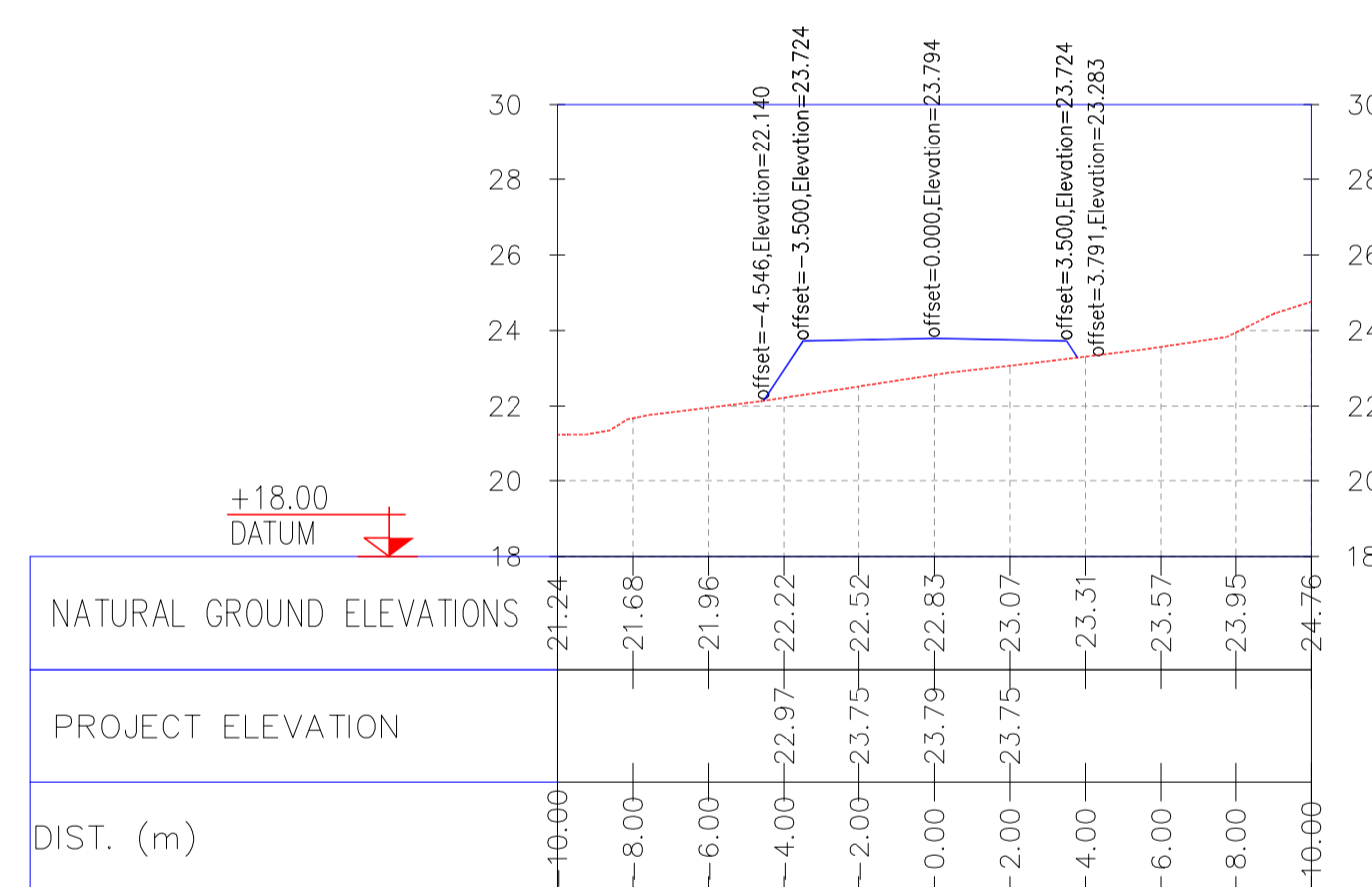
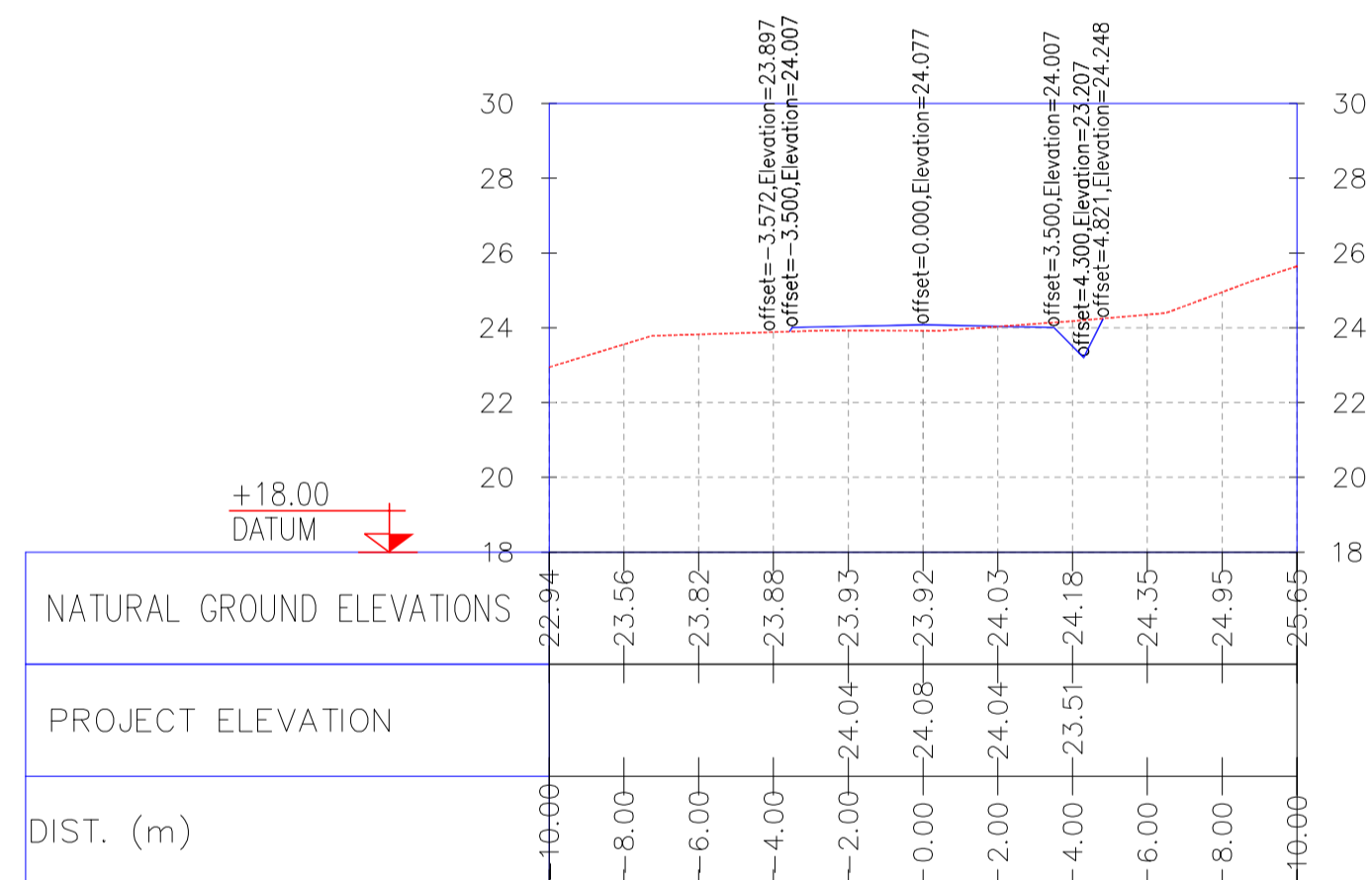
0+280.00



0+244.77

0+260.00

0+270.00



NOTES
 1- ALL COORDINATES AND ELEVATIONS ARE IN METER.
 2- ALL DRAWINGS SHALL BE CHECKED BY CONTRACTOR WITH RELATIVE DRAWINGS BEFORE CONSTRUCTION.
 3- GEODETIC PARAMETERS FOR COORDINATES ARE AS BELOW:
 HORIZONTAL COORDINATE SYSTEM: WGS84/UTM ZONE 39
 ELLIPSOID : WORLD GEODETIC SYSTEM 1984 (WGS84)
 MAP PROJECTION: UNIVERSAL TRANSVERSE MERCATOR (UTM)
 VERTICAL DATUM: MSL

LEGEND

REFERENCE DRAWING	DRG. No.
General Civil Layout -W028	BK-W028-PEDCO-110-CV-PY-0001
Rough Grading Plans -W028	BK-W028-PEDCO-110-CV-DW-0001
Standard Drawing For Culvert & Details	BK-GNRAL-PEDCO-000-CV-DW-0014
Specification For Earth Work	BK-GNRAL-PEDCO-000-CV-SP-0004
Standard Drawing For Slope Protection Details	BK-GNRAL-PEDCO-000-CV-DW-0002

KEY PLAN

D05	JUL.2022	IPA	R. BERLOURI	M.PAKHARIAN	M.MEHRSHAD	***
D04	JUN.2022	IPA	R. BERLOURI	M.PAKHARIAN	M.MEHRSHAD	**
D03	MAY.2022	IPA	R. BERLOURI	M.PAKHARIAN	M.MEHRSHAD	**
D02	MAR.2022	IPA	R. BERLOURI	M.PAKHARIAN	M.MEHRSHAD	**
D01	NOV.2021	IPA	R. BERLOURI	M.PAKHARIAN	M.MEHRSHAD	**
D00	OCT.2021	IPC	R. BERLOURI	M.PAKHARIAN	SH.GHALIKAR	**
REV.	DATE	P.O.I.S	PREP.	CHK.	APP.	AUT.

اصل و کليه نسخ اين نقشه و حق اقتباس متعلق به شرکت ملی مناطق نفت خيز جنوب مي باشد.
 THE ORIGINAL AND ALL COPIES OF THIS DRAWING TOGETHER WITH THE COPYRIGHT THEREIN ARE THE SOLE PROPERTY OF N.I.S.O.C./ FIELDS

PROJECT NAME: BINAK OILFIELD DEVELOPMENT/SUB-SURFACE WORK PACKAGES W028 WELLHEAD FACILITIES

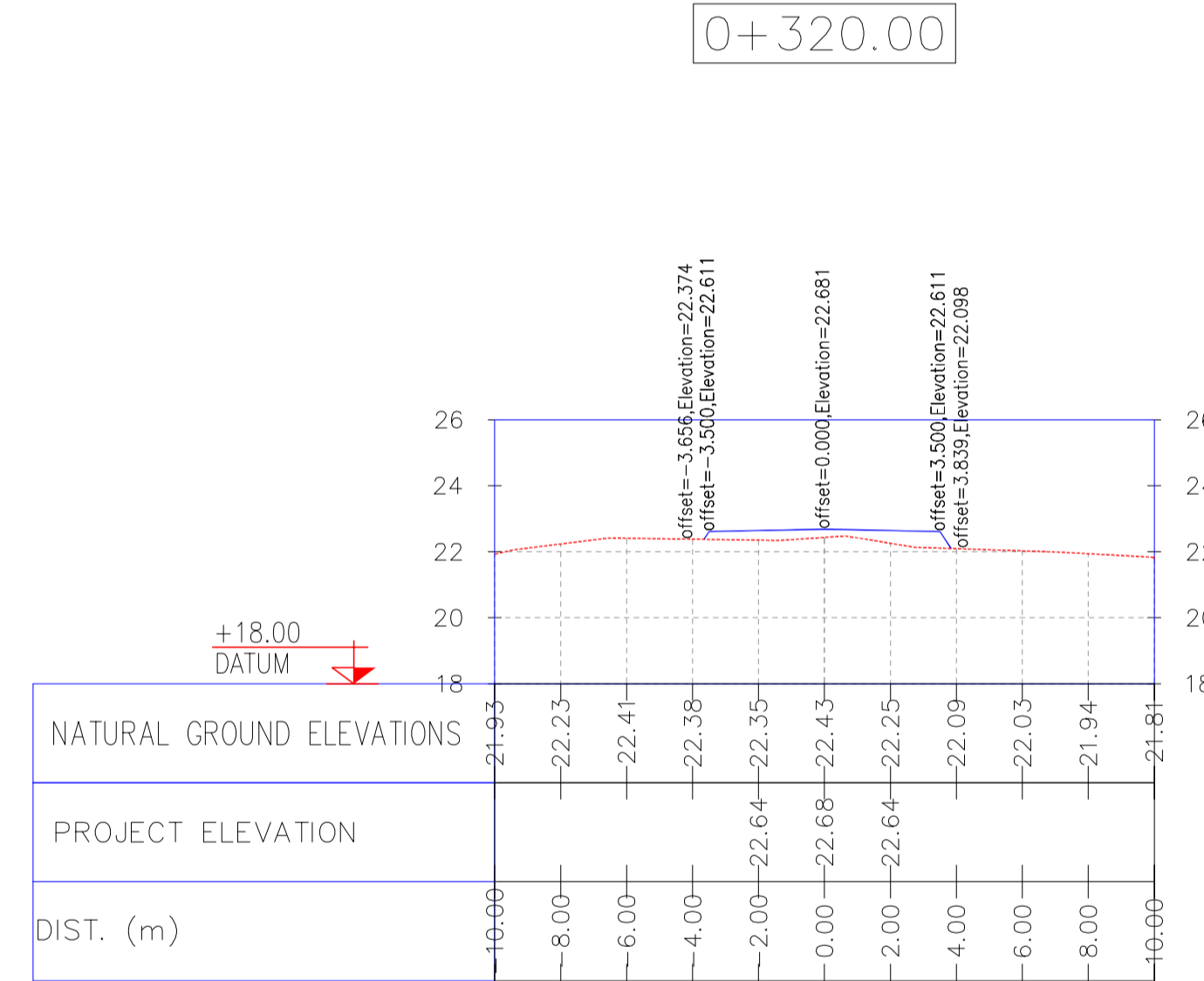
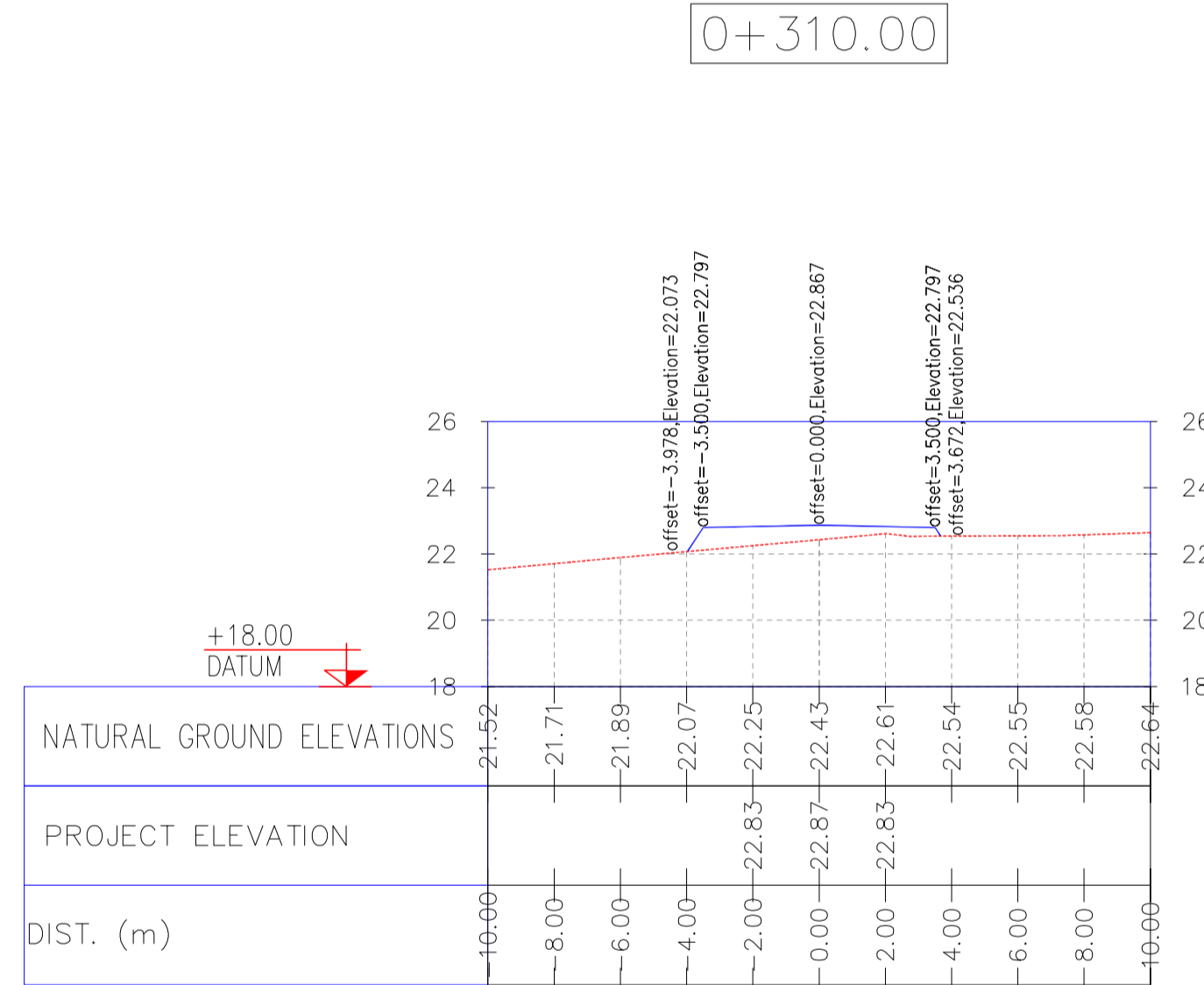
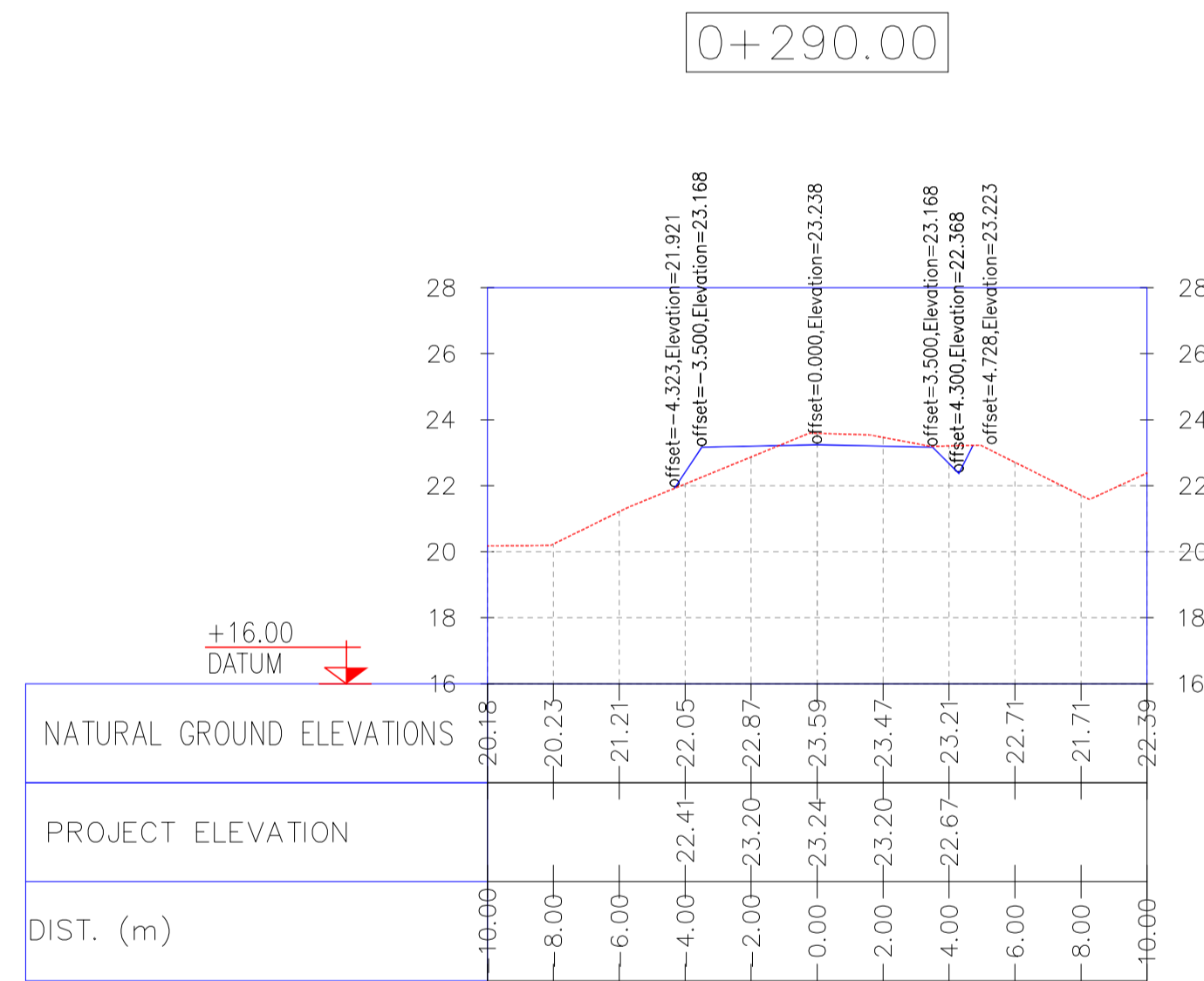
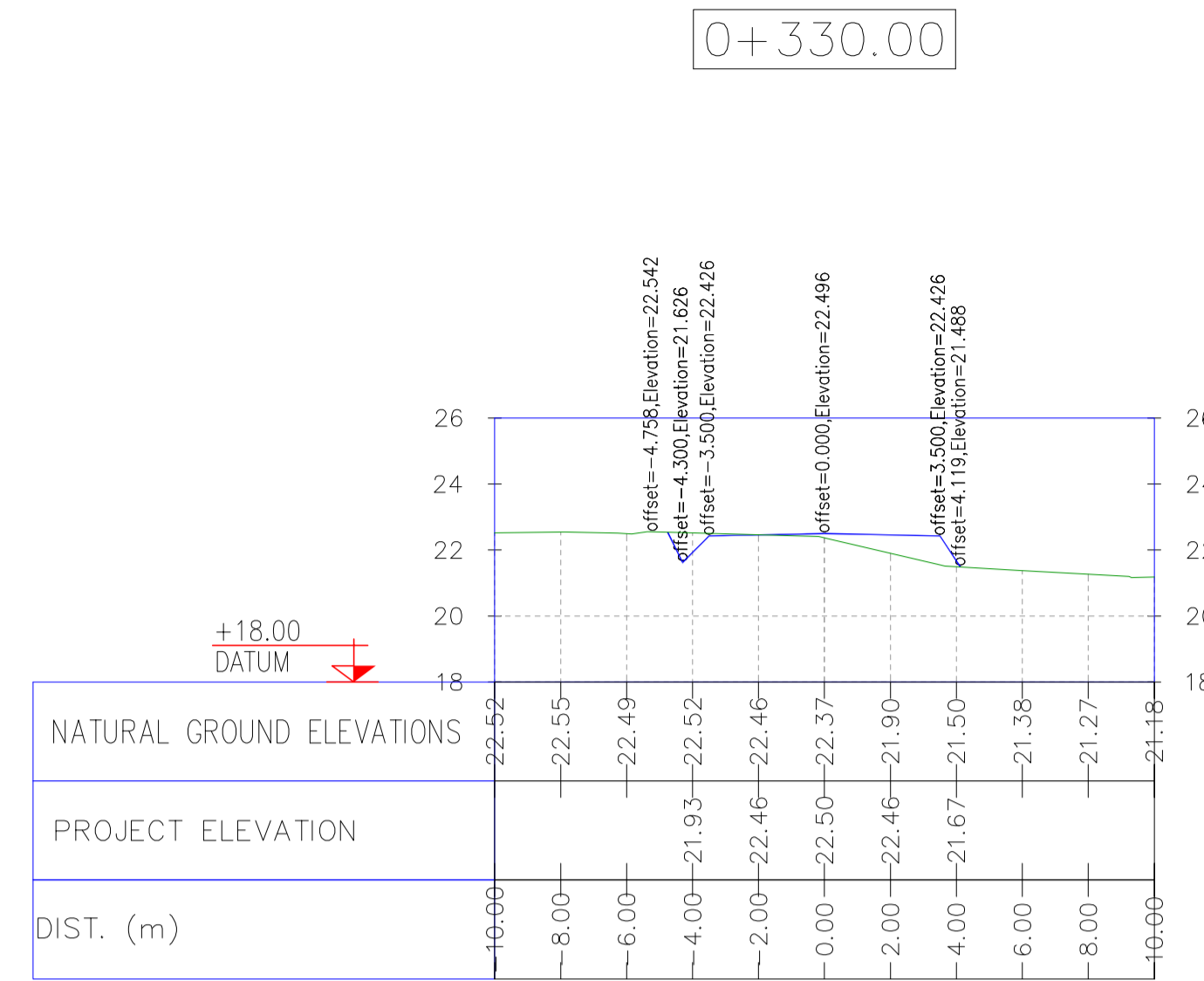
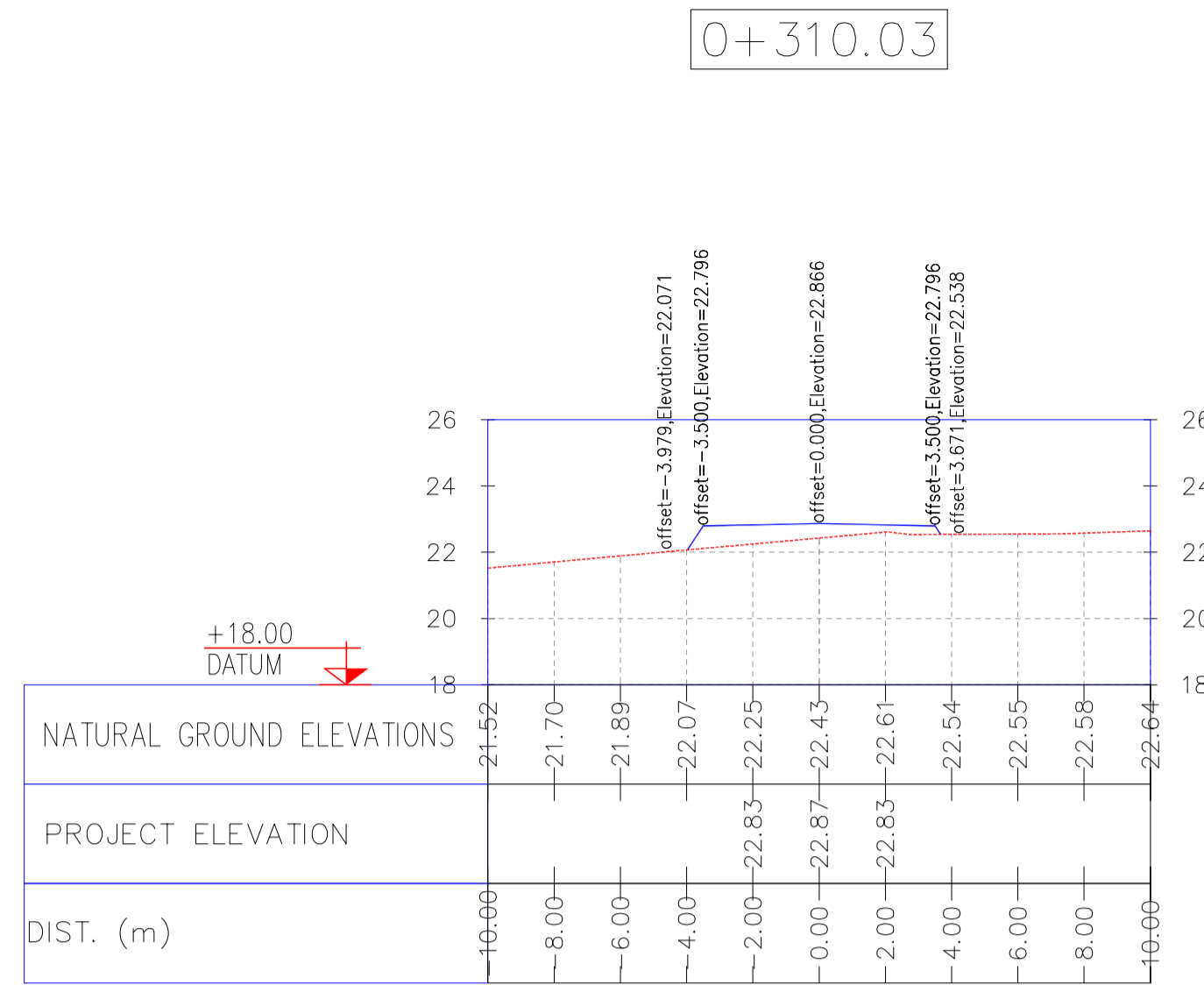
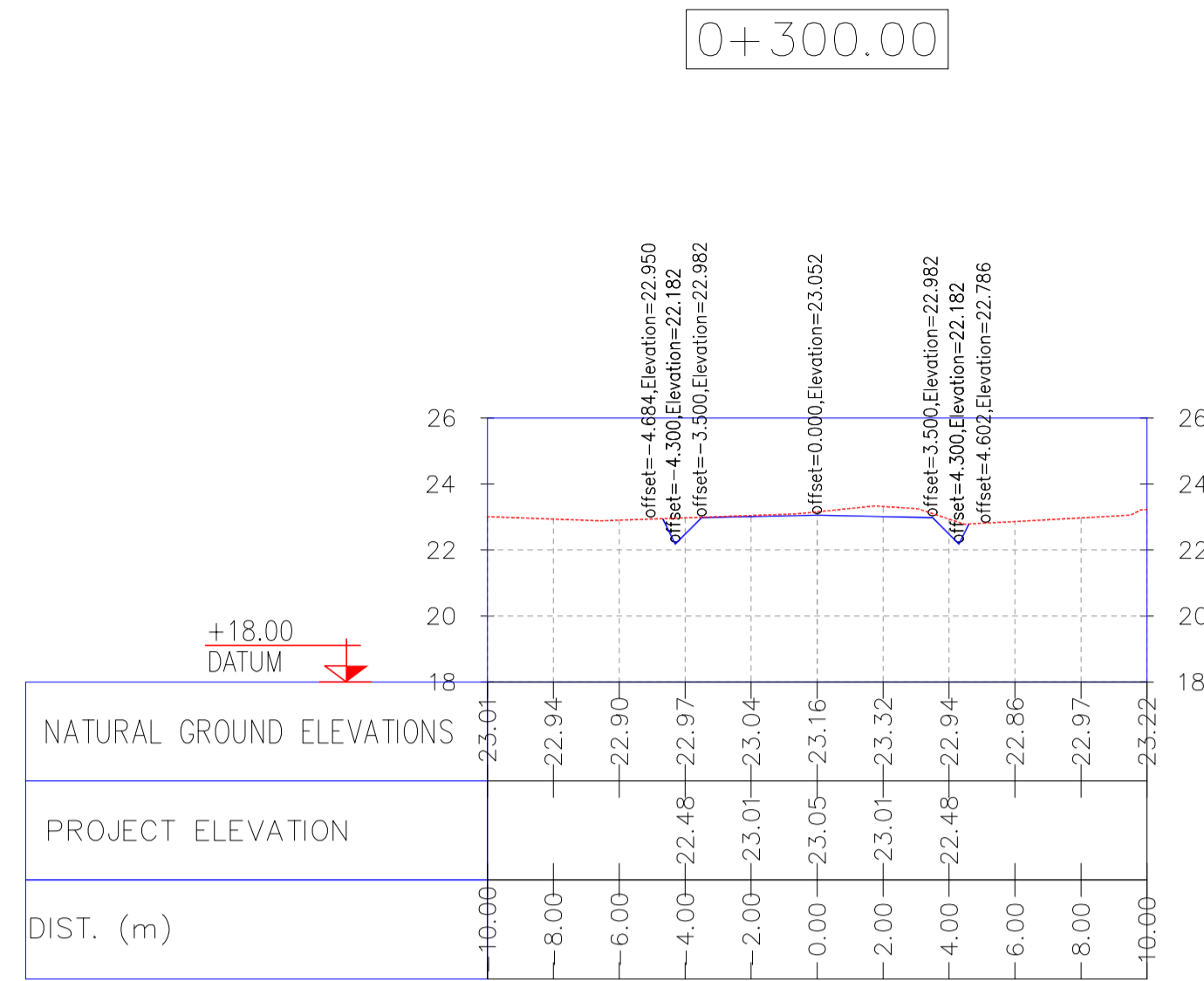
PROJECT NO.: 971020

EPC CONTRACTOR: HIRGAN ENERGY - DESIGN & INSPECTION COMPANIES

EPD/EPC CONTRACTOR(GC): PETROIRAN DEVELOPMENT COMPANY

DRAWING TITLE: CIVIL AND STRUCTURAL DRAWINGS-W028S ACCESS ROAD TRANSVERSAL SECTIONS KM 250~280M

DATE	SCALE	DRAWING BY	CHECKED BY	PROJECT ENG.		
NO CONSTRUCTION PERMITTED UNLESS DRAWING APPROVED						
APPROVED FOR CONSTRUCTION			BY:	DATE:		
BUDGET REF.	LOCATION	SIZE	CLASS	SERIAL NO.	SHEET	REVISION
H=1/200 V=1/200	A1	BK-W028-PEDCO-110-CV-PY-0002		27 of 42	D05	053-073-9184



NOTES

- 1- ALL COORDINATES AND ELEVATIONS ARE IN METER.
- 2- ALL DRAWINGS SHALL BE CHECKED BY CONTRACTOR WITH RELATIVE DRAWINGS BEFORE CONSTRUCTION.
- 3- GEODETIC PARAMETERS FOR COORDINATES ARE AS BELOW:
 HORIZONTAL COORDINATE SYSTEM: WGS84/UTM ZONE 39
 ELLIPSOID : WORLD GEODETIC SYSTEM 1984 (WGS84)
 MAP PROJECTION: UNIVERSAL TRANSVERSE MERCATOR (UTM)
 VERTICAL DATUM: MSL

LEGEND

REFERENCE DRAWING	DRG. No.
General Civil Layout -W028	BK-W028-PEDCO-110-CV-PY-0001
Rough Grading Plans -W028	BK-W028-PEDCO-110-CV-DW-0001
Standard Drawing For Culvert & Details	BK-GNRAI-PEDCO-000-CV-DW-0014
Specification For Earth Work	BK-GNRAI-PEDCO-000-CV-SP-0004
Standard Drawing For Slope Protection Details	BK-GNRAI-PEDCO-000-CV-DW-0002

KEY PLAN

D05	JUL.2022	IPA	R. BERLOURI	M.PAKHARIAN	M.MEHRSHAD	***
D04	JUN.2022	IPA	R. BERLOURI	M.PAKHARIAN	M.MEHRSHAD	**
D03	MAY.2022	IPA	R. BERLOURI	M.PAKHARIAN	M.MEHRSHAD	**
D02	MAR.2022	IPA	R. BERLOURI	M.PAKHARIAN	M.MEHRSHAD	**
D01	NOV.2021	IPA	R. BERLOURI	M.PAKHARIAN	M.MEHRSHAD	**
D00	OCT.2021	IPC	R. BERLOURI	M.PAKHARIAN	SH.GHALIKAR	**

PROJECT NAME: BINAK OILFIELD DEVELOPMENT/SUB-SURFACE WORK PACKAGES W028 WELLHEAD FACILITIES

PROJECT NO.: 971020

EPC CONTRACTOR: HIRGAN ENERGY - DESIGN & INSPECTION COMPANIES

EPD/EPC CONTRACTOR(GC): PETROIRAN DEVELOPMENT COMPANY

DRAWING TITLE: CIVIL AND STRUCTURAL DRAWINGS-W028S ACCESS ROAD TRANSVERSAL SECTIONS KM 300~330M

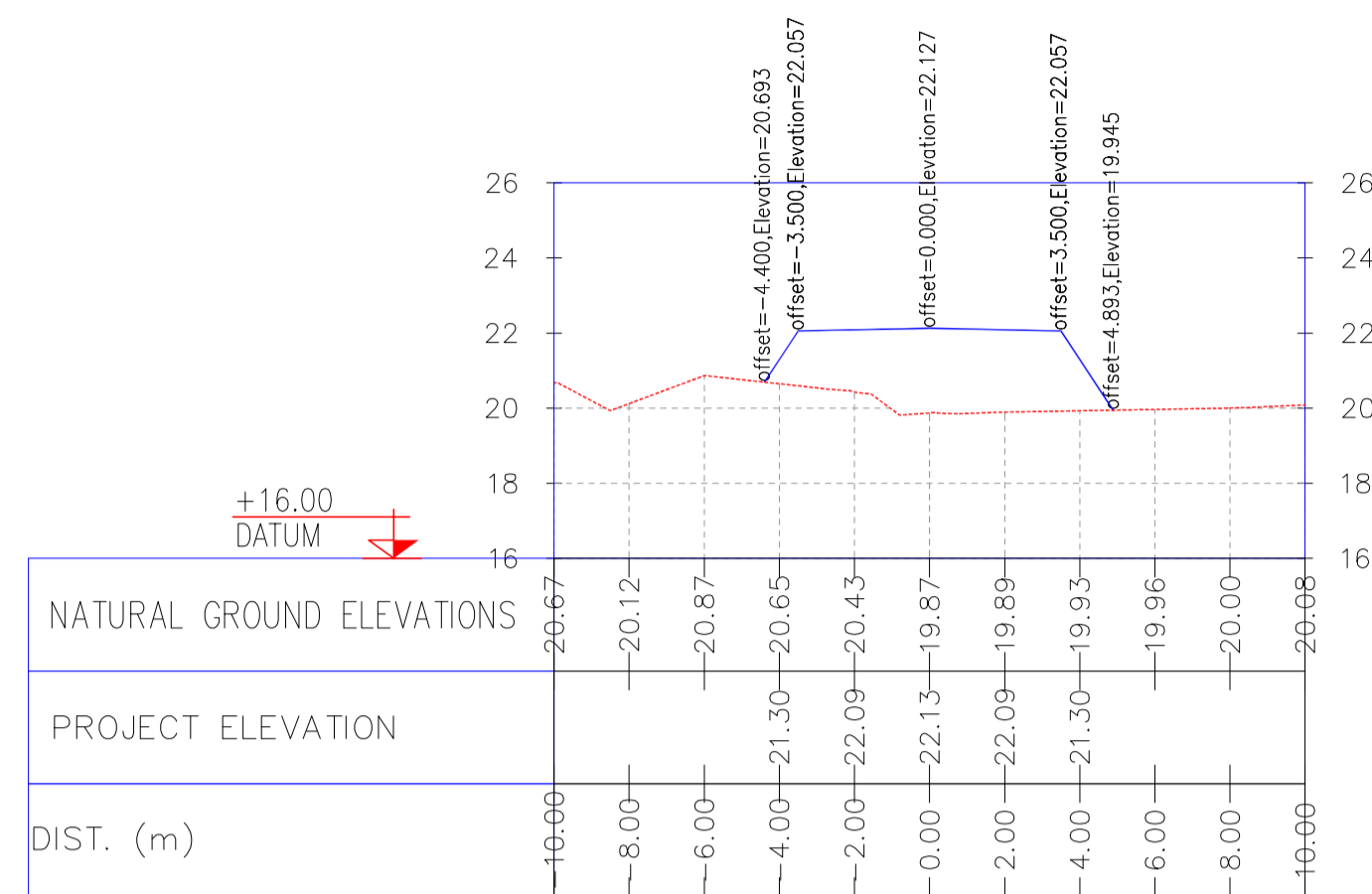
SCALE	SIZE	DRAWING NO.	SHEET NO.	REV.
H=1/200 V=1/200	A1	BK-W028-PEDCO-110-CV-PY-0002	28 of 42	D05

اصل و کليه نسخ اين نقشه و حق اقتباس متعلق به شرکت ملی مناطق نفت خيز جنوب مي باشد.

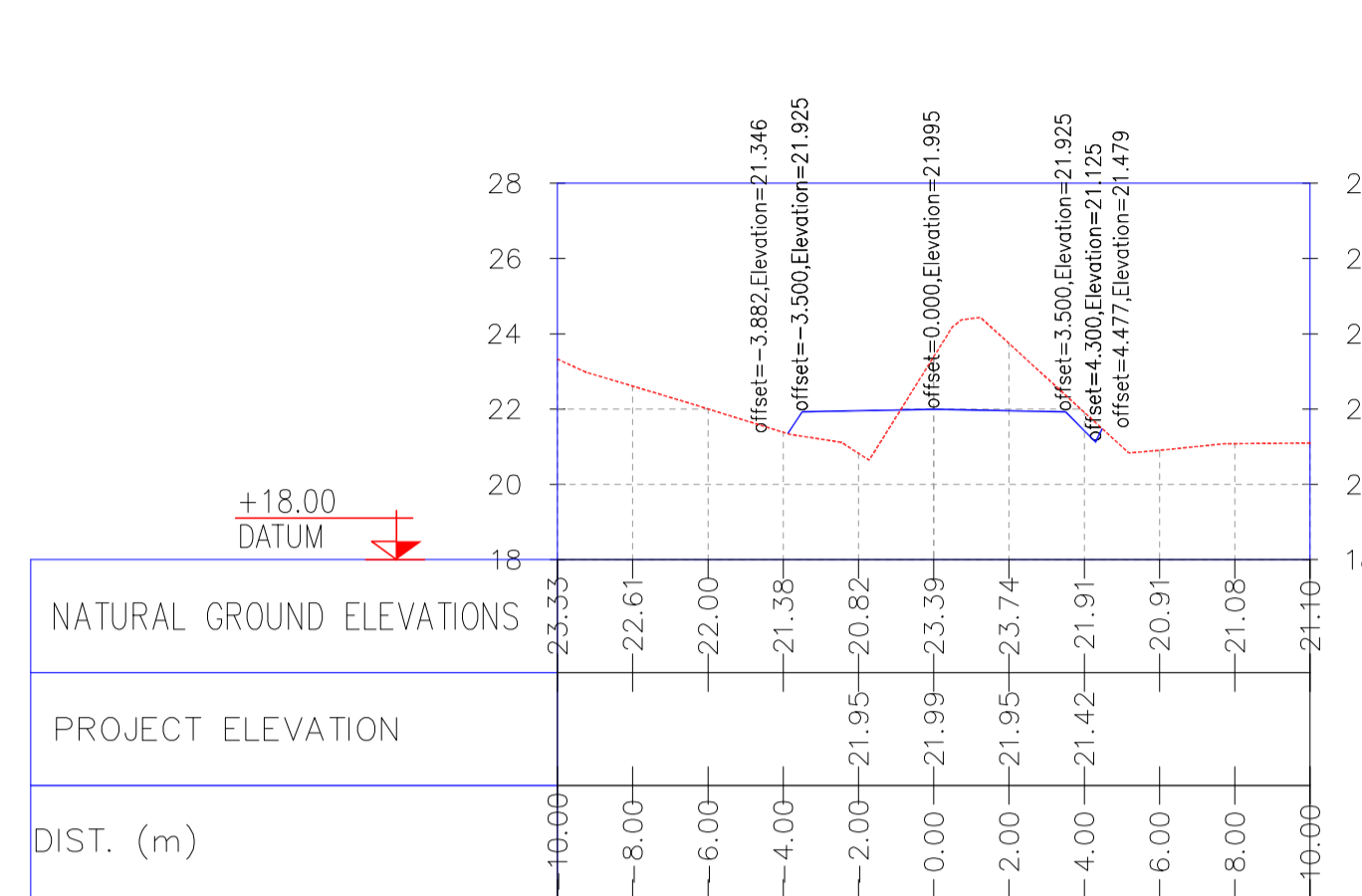
THE ORIGINAL AND ALL COPIES OF THIS DRAWING TOGETHER WITH THE COPYRIGHT THEREIN ARE THE SOLE PROPERTY OF N.I.S.O.C./ FIELDS

DATE	SCALE	DRAWING BY	CHECKED BY	PROJECT ENG.		
NO CONSTRUCTION PERMITTED UNLESS DRAWING APPROVED						
APPROVED FOR CONSTRUCTION BY: _____ DATE: _____						
BUDGET REF.	LOCATION	SIZE	CLASS	SERIAL NO.	SHEET	REVISION
053-073-9184	F	4	S	707548	28	D05

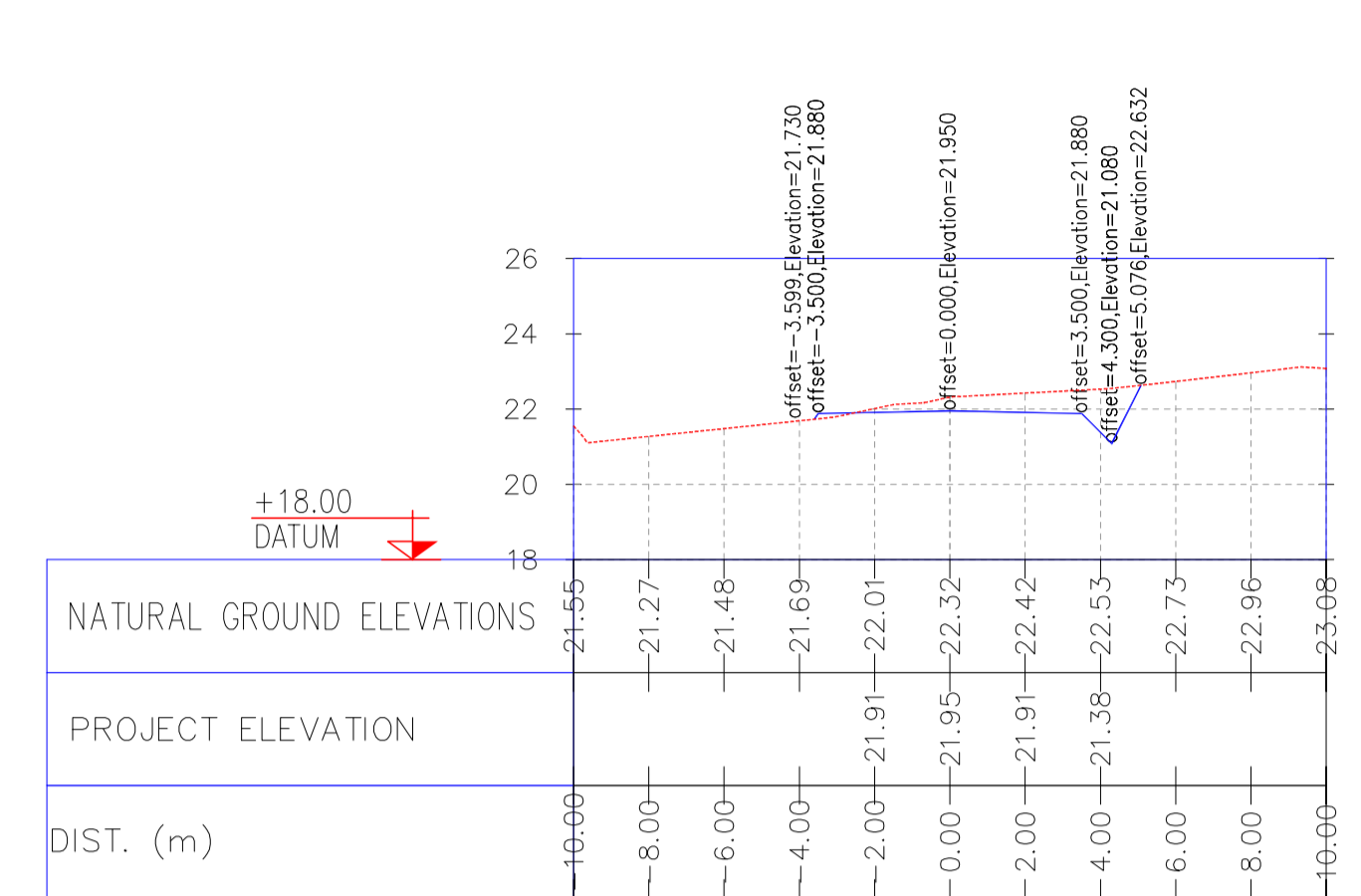
0+350.00



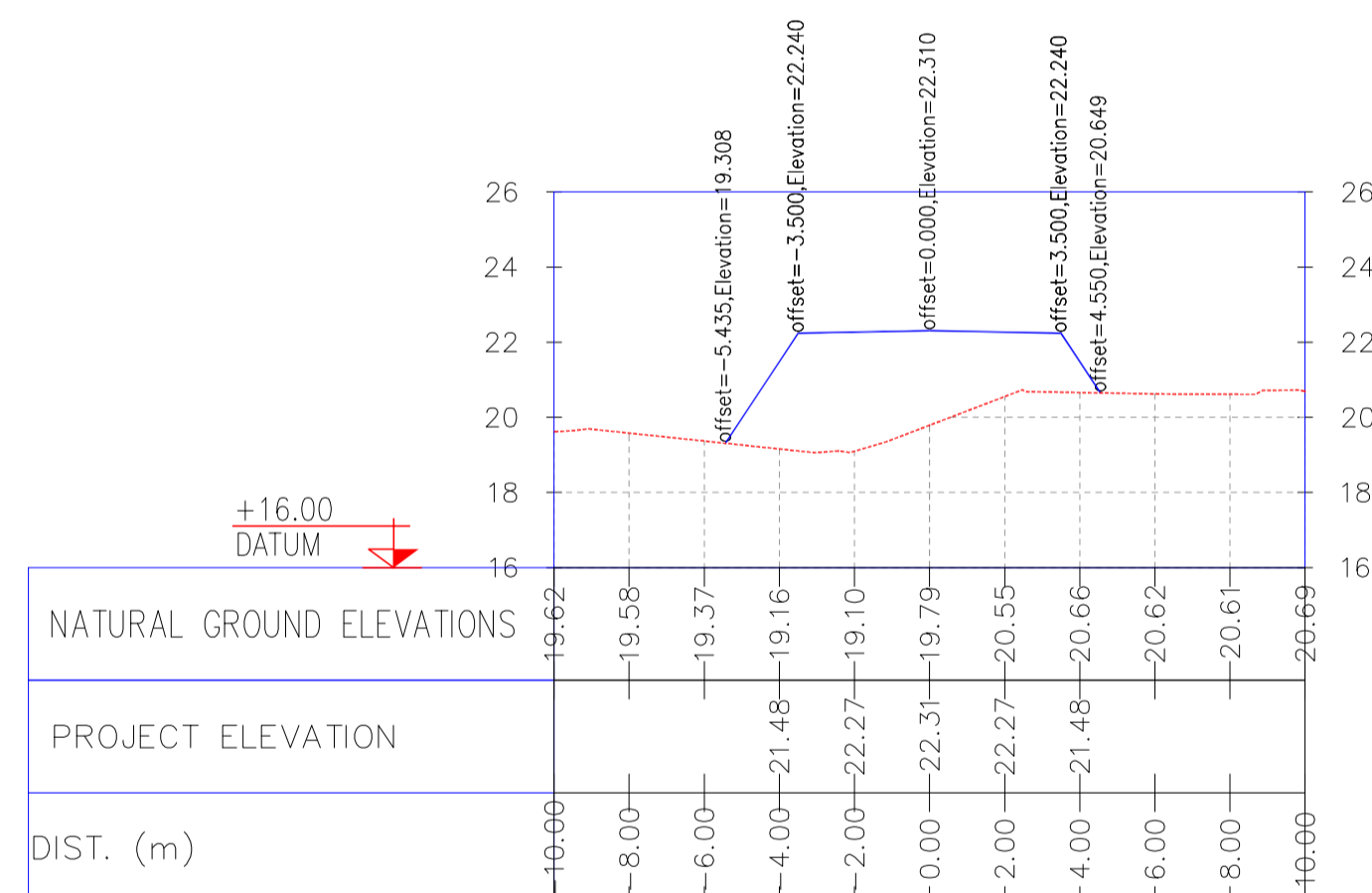
0+360.00



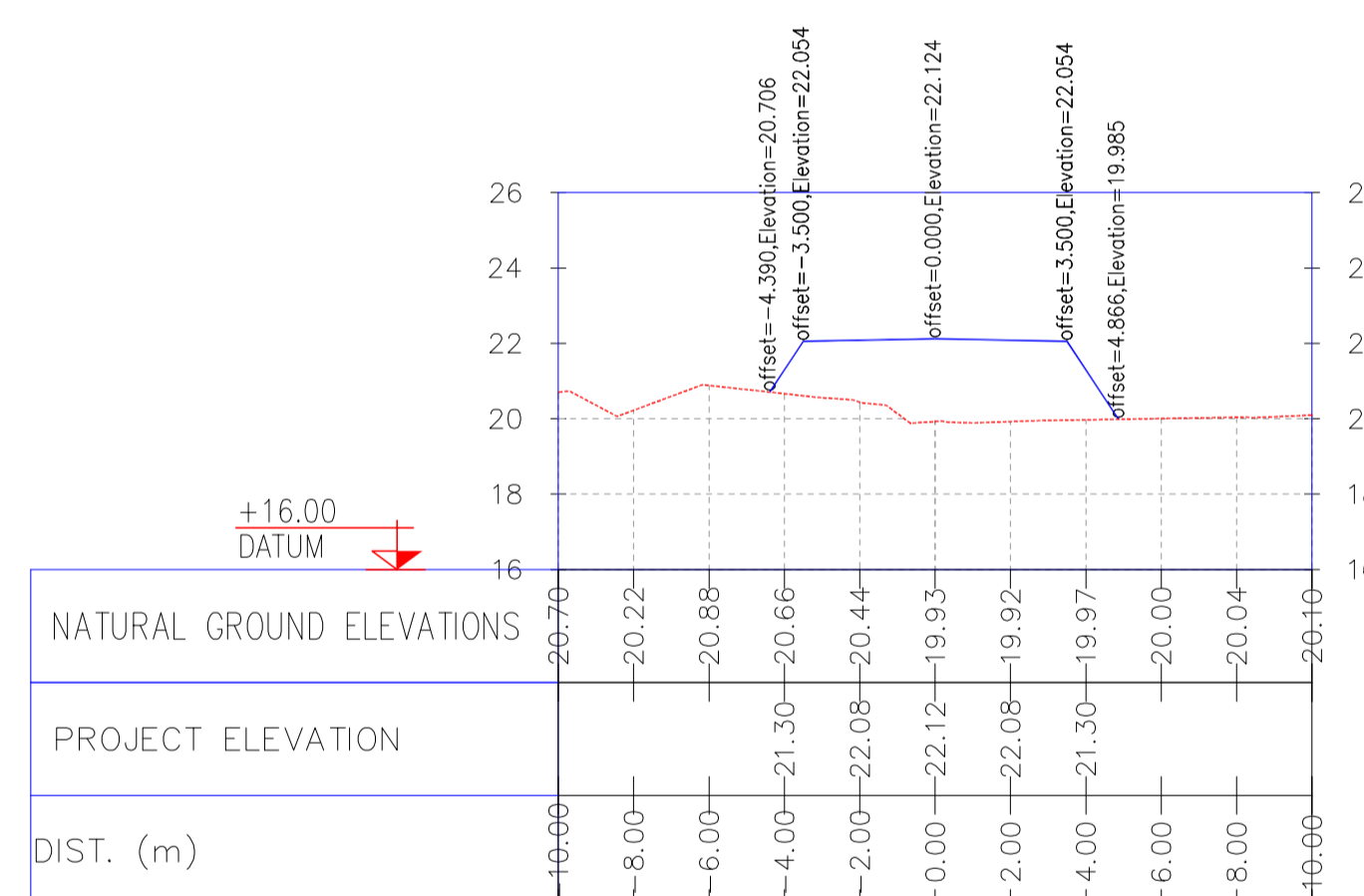
0+380.00



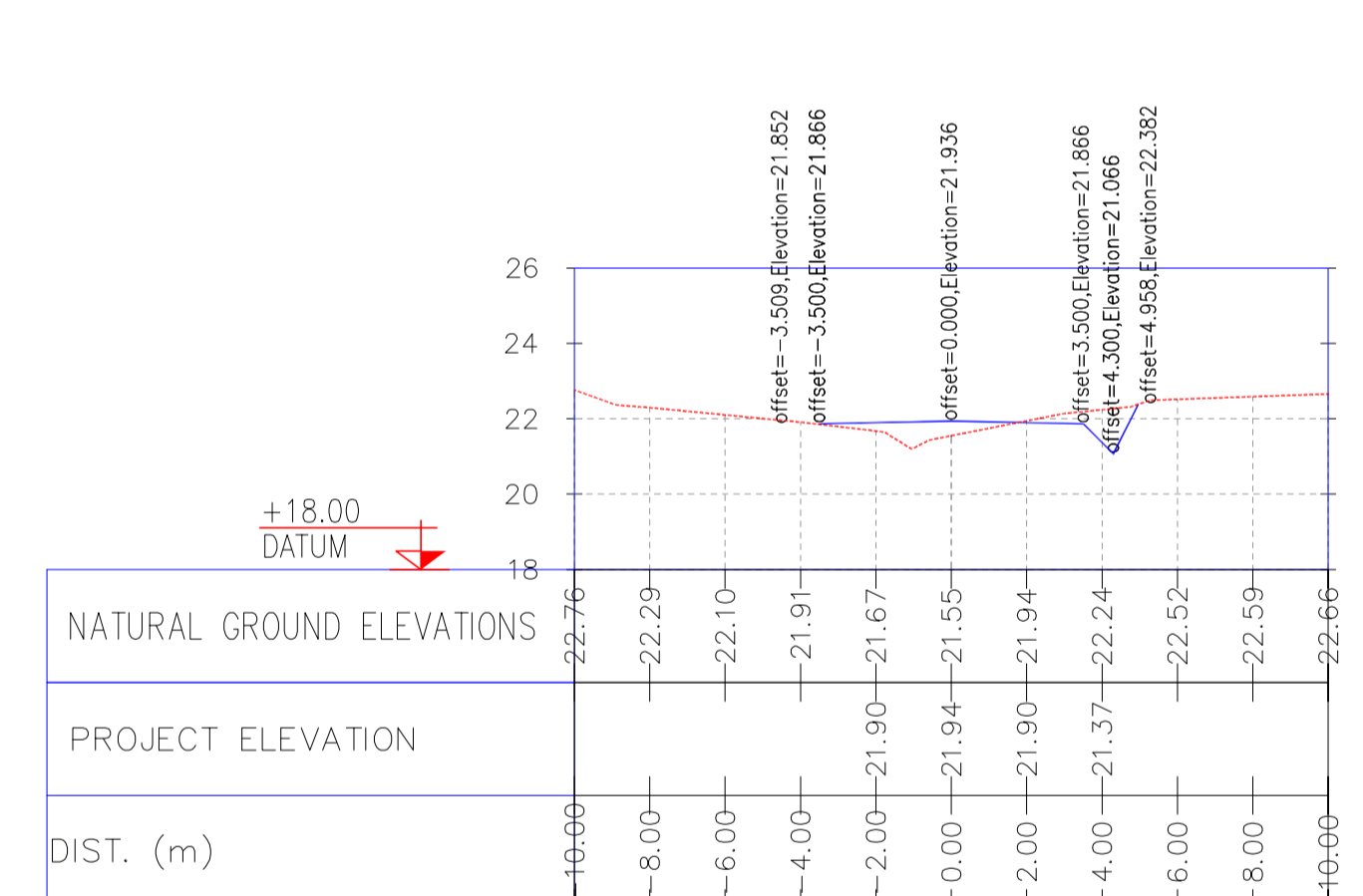
0+340.00



0+350.14



0+370.00



NOTES
 1- ALL COORDINATES AND ELEVATIONS ARE IN METER.
 2- ALL DRAWINGS SHALL BE CHECKED BY CONTRACTOR WITH RELATIVE DRAWINGS BEFORE CONSTRUCTION.
 3- GEODETIC PARAMETERS FOR COORDINATES ARE AS BELOW:
 HORIZONTAL COORDINATE SYSTEM: WGS84/UTM ZONE 39
 ELLIPSOID : WORLD GEODETIC SYSTEM 1984 (WGS84)
 MAP PROJECTION: UNIVERSAL TRANSVERSE MERCATOR (UTM)
 VERTICAL DATUM: MSL

LEGEND

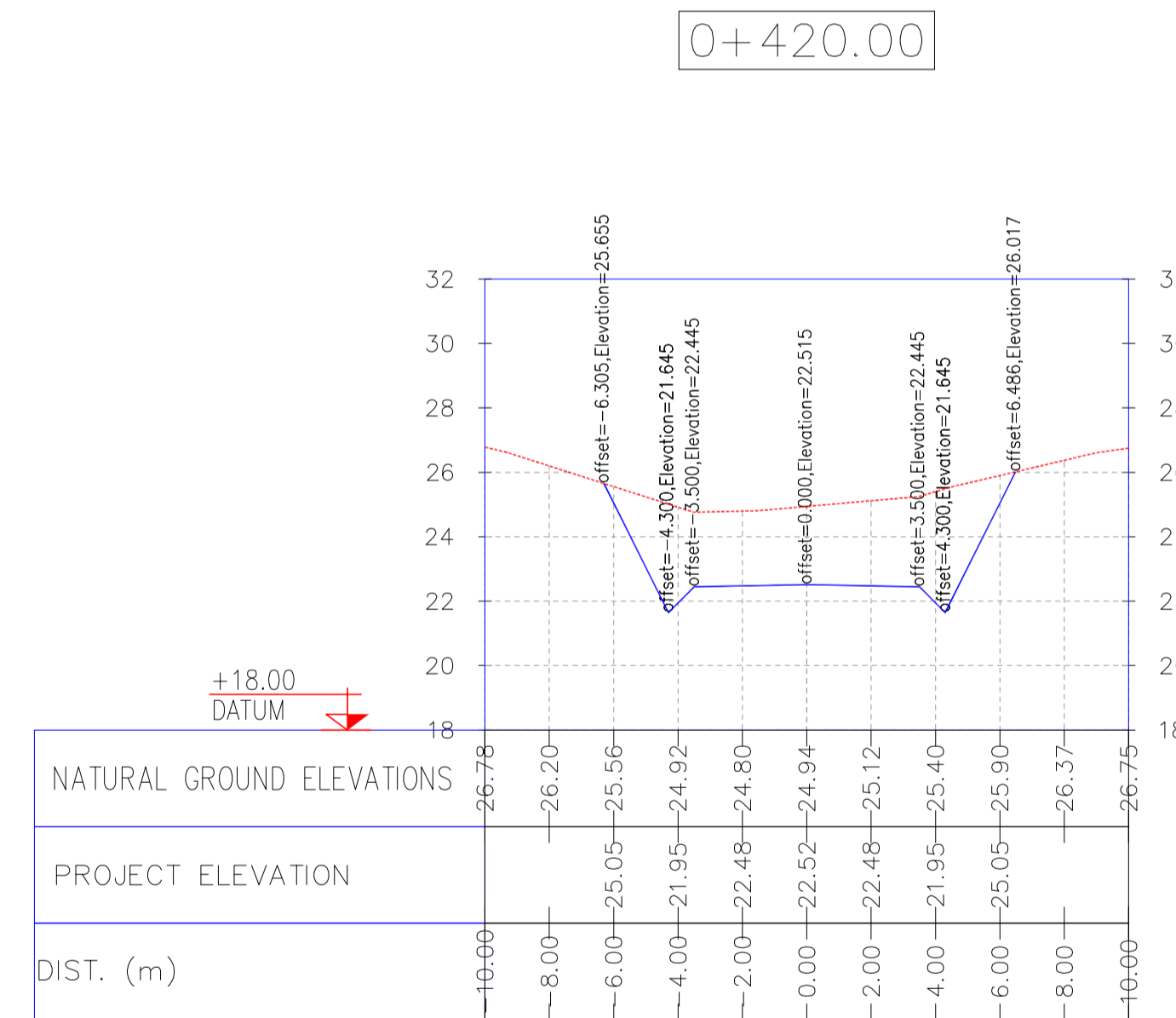
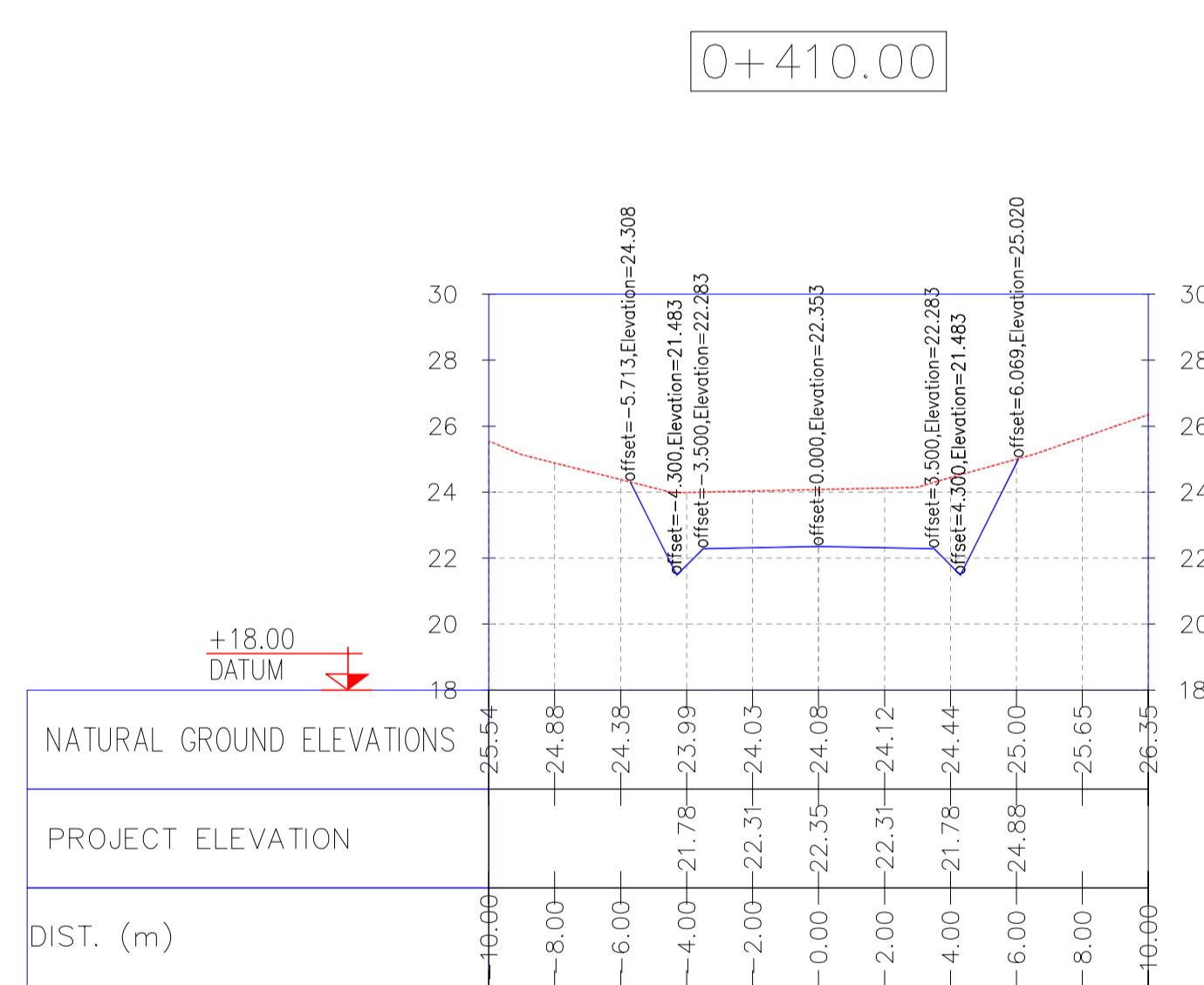
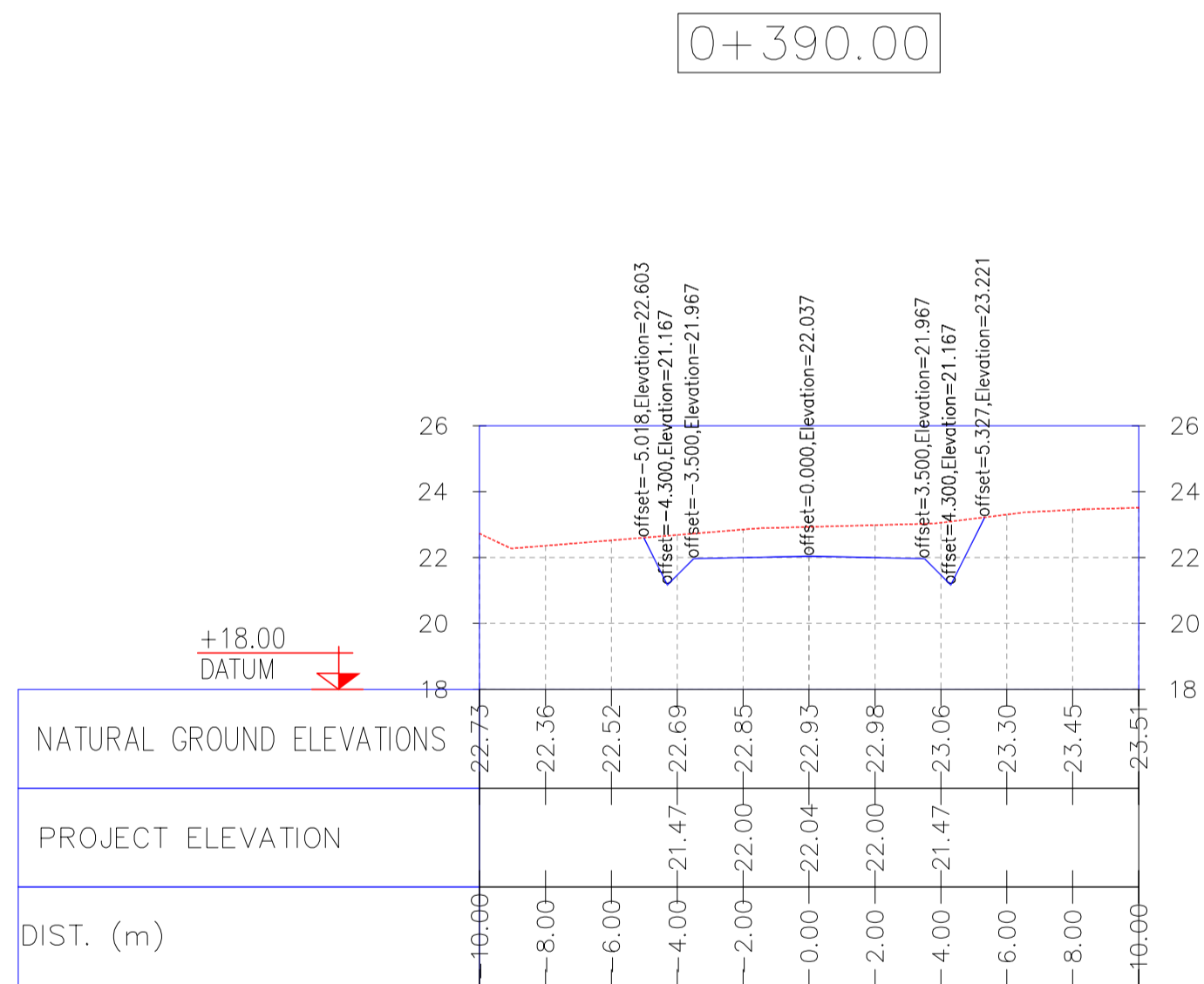
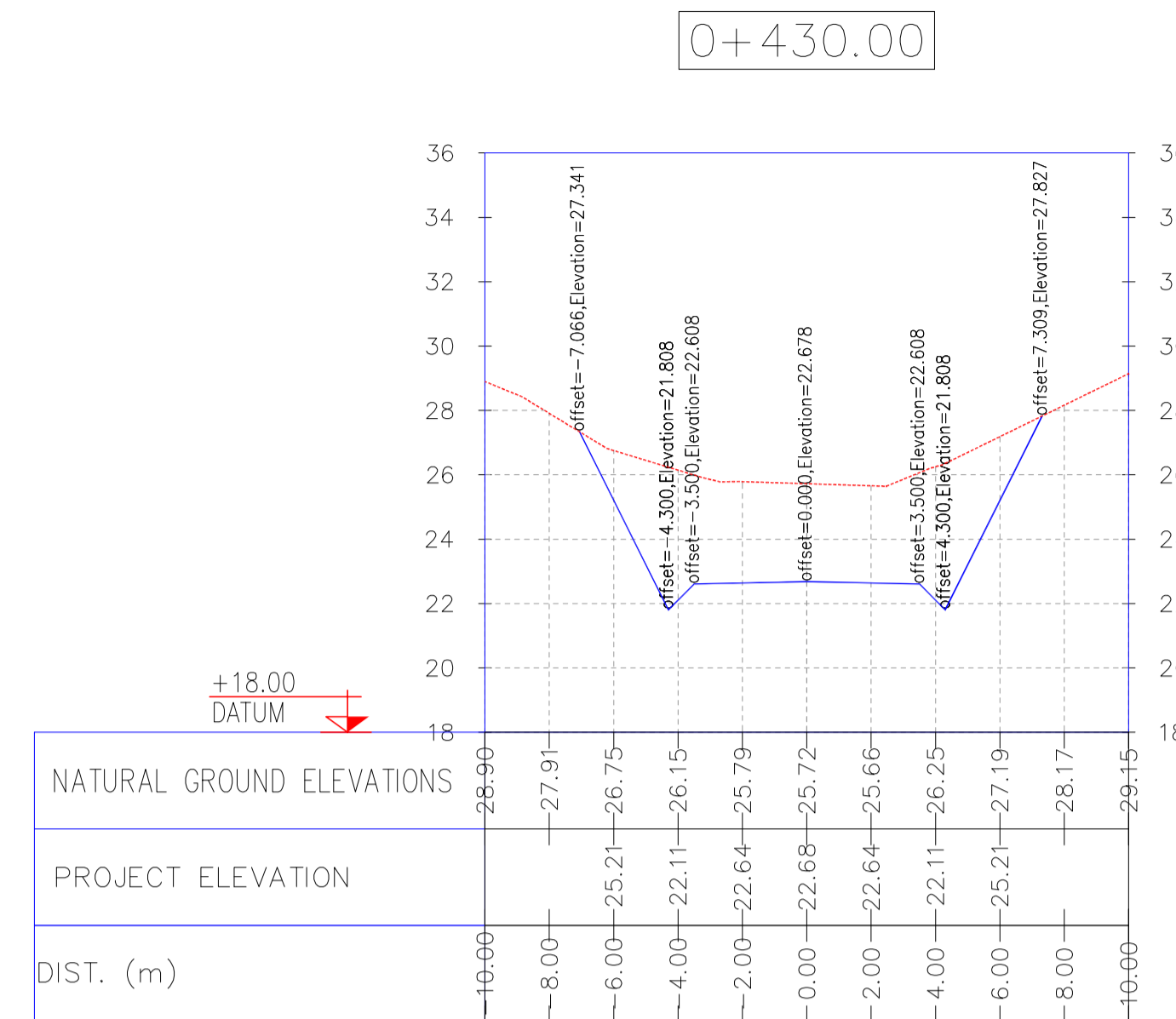
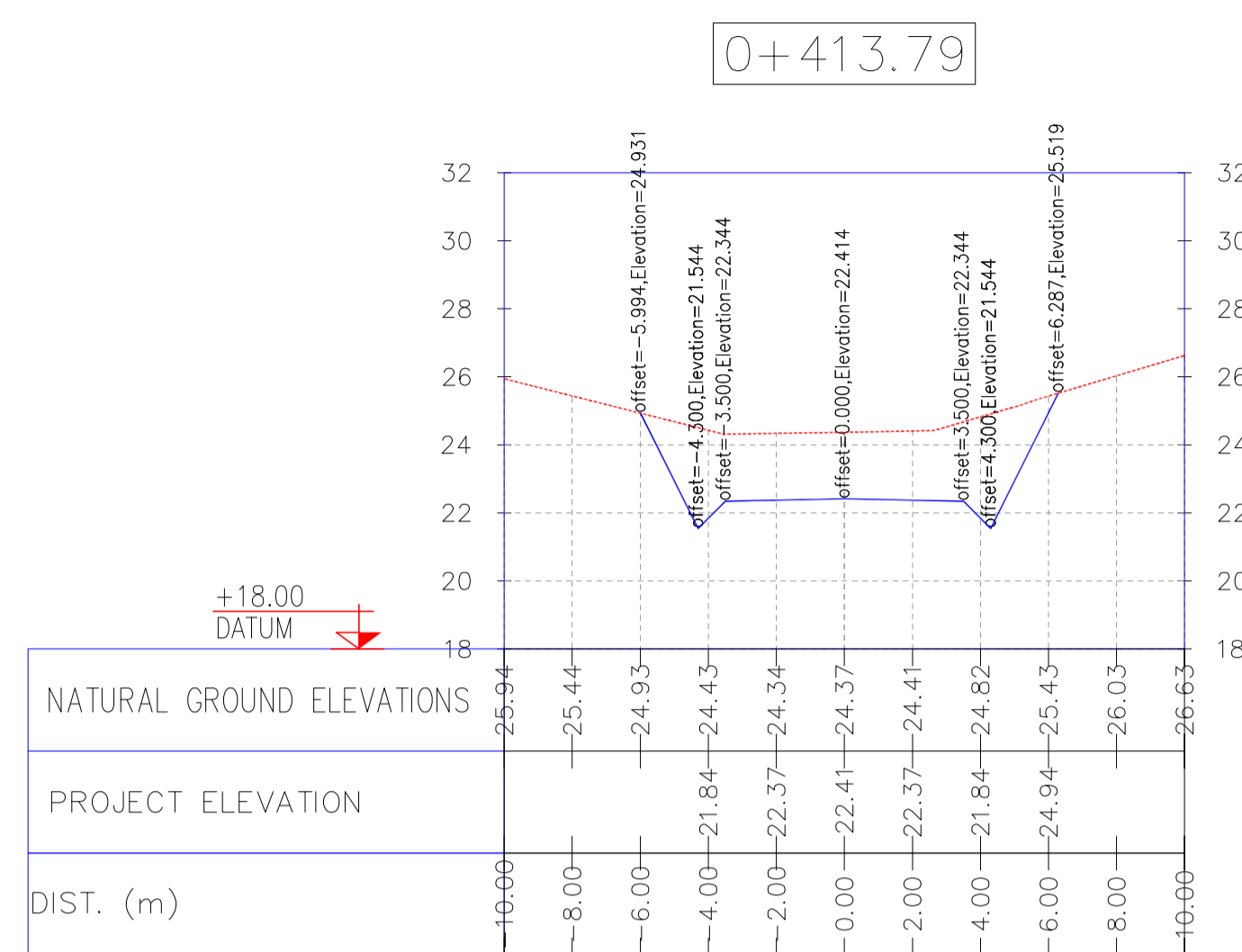
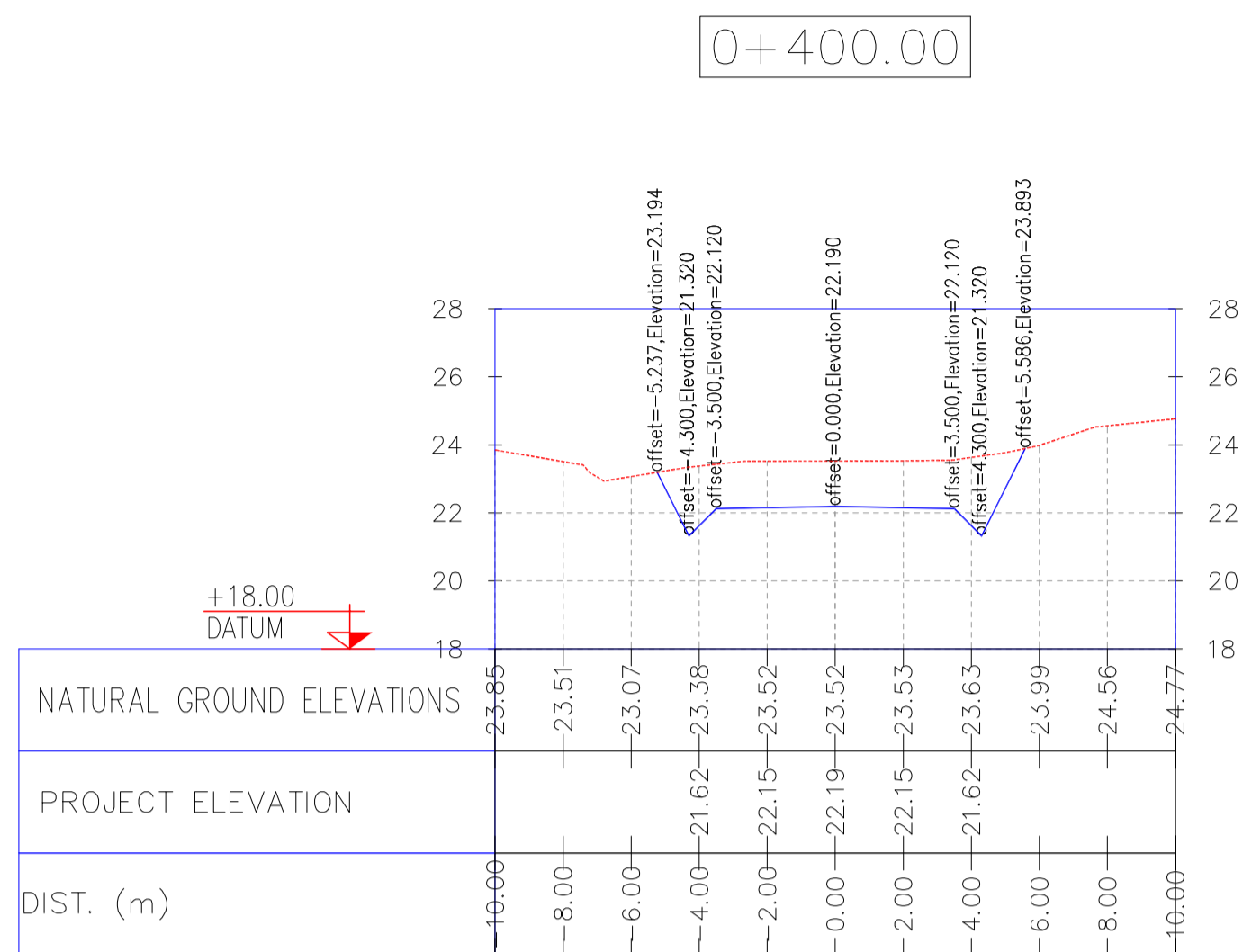
REFERENCE DRAWING	DRG. No.
General Civil Layout -W028	BK-W028-PEDCO-110-CV-PY-0001
Rough Grading Plans -W028	BK-W028-PEDCO-110-CV-DW-0001
Standard Drawing For Culvert & Details	BK-GNRAL-PEDCO-000-CV-DW-0014
Specification For Earth Work	BK-GNRAL-PEDCO-000-CV-SP-0004
Standard Drawing For Slope Protection Details	BK-GNRAL-PEDCO-000-CV-DW-0002

KEY PLAN

REV.	DATE	P.O.I.S	PREP.	CHK.	APP.	AUT.
D05	JUL.2022	IPA	R. BERLOURI	M.PAKHARIAN	M.MEHRSHAD	***
D04	JUN.2022	IPA	R. BERLOURI	M.PAKHARIAN	M.MEHRSHAD	**
D03	MAY.2022	IPA	R. BERLOURI	M.PAKHARIAN	M.MEHRSHAD	**
D02	MAR.2022	IPA	R. BERLOURI	M.PAKHARIAN	M.MEHRSHAD	**
D01	NOV.2021	IPA	R. BERLOURI	M.PAKHARIAN	M.MEHRSHAD	**
D00	OCT.2021	IPC	R. BERLOURI	M.PAKHARIAN	SH.GHALIKAR	**

PROJECT NAME: BINAK OILFIELD DEVELOPMENT/SUB-SURFACE WORK PACKAGES W028 WELLHEAD FACILITIES						
PROJECT NO.: 971020						
EPC CONTRACTOR: HIRGAN ENERGY - DESIGN & INSPECTION COMPANIES			EPD/EPC CONTRACTOR(GC): PETROIRAN DEVELOPMENT COMPANY			
DRAWING TITLE: CIVIL AND STRUCTURAL DRAWINGS-W028S ACCESS ROAD TRANSVERSAL SECTIONS KM 350~380M						
SCALE	SIZE	DRAWING NO.		SHEET NO.	REV.	
H=1/200 V=1/200	A1	BK-W028-PEDCO-110-CV-PY-0002		29 of 42	D05	
BUDGET REF.	LOCATION	SIZE	CLASS	SERIAL NO.	SHEET	REVISION
053-073-9184	F	4	S	707548	29	D05

اصل و کليه نسخ این نقشه و حق اقتباس متعلق به شرکت ملی مناطق نفت خیز جنوب میباشد. THE ORIGINAL AND ALL COPIES OF THIS DRAWING TOGETHER WITH THE COPYRIGHT THEREIN ARE THE SOLE PROPERTY OF N.I.S.O.C./ FIELDS						
DATE	SCALE	DRAWING BY	CHECKED BY	PROJECT ENG.		
NO CONSTRUCTION PERMITTED UNLESS DRAWING APPROVED						
APPROVED FOR CONSTRUCTION			BY:	DATE:		



NOTES

- ALL COORDINATES AND ELEVATIONS ARE IN METER.
- ALL DRAWINGS SHALL BE CHECKED BY CONTRACTOR WITH RELATIVE DRAWINGS BEFORE CONSTRUCTION.
- GEODETIC PARAMETERS FOR COORDINATES ARE AS BELOW:
 HORIZONTAL COORDINATE SYSTEM: WGS84/UTM ZONE 39
 ELLIPSOID: WORLD GEODETIC SYSTEM 1984 (WGS84)
 MAP PROJECTION: UNIVERSAL TRANSVERSE MERCATOR (UTM)
 VERTICAL DATUM: MSL

LEGEND

REFERENCE DRAWING	DRG. No.
General Civil Layout -W028	BK-W028-PEDCO-110-CV-PY-0001
Rough Grading Plans -W028	BK-W028-PEDCO-110-CV-DW-0001
Standard Drawing For Culvert & Details	BK-GNRL-PEDCO-000-CV-DW-0014
Specification For Earth Work	BK-GNRL-PEDCO-000-CV-SP-0004
Standard Drawing For Slope Protection Details	BK-GNRL-PEDCO-000-CV-DW-0002

KEY PLAN

D05	JUL.2022	IPA	R. BERLOURI	M.PAKHARIAN	M.MEHRSHAD	***
D04	JUN.2022	IPA	R. BERLOURI	M.PAKHARIAN	M.MEHRSHAD	**
D03	MAY.2022	IPA	R. BERLOURI	M.PAKHARIAN	M.MEHRSHAD	**
D02	MAR.2022	IPA	R. BERLOURI	M.PAKHARIAN	M.MEHRSHAD	**
D01	NOV.2021	IPA	R. BERLOURI	M.PAKHARIAN	M.MEHRSHAD	**
D00	OCT.2021	IPC	R. BERLOURI	M.PAKHARIAN	SH.GHALIKAR	**
REV.	DATE	P.O.I.S	PREP.	CHK.	APP.	AUT.

اصل و کليه نسخ اين نقشه و حق اقتباس متعلق به شرکت ملی مناطق نفت خيز جنوب مي باشد.
 THE ORIGINAL AND ALL COPIES OF THIS DRAWING TOGETHER WITH THE COPYRIGHT THEREIN ARE THE SOLE PROPERTY OF N.I.S.O.C./ FIELDS

PROJECT NAME: BINAK OILFIELD DEVELOPMENT/SUB-SURFACE WORK PACKAGES W028 WELLHEAD FACILITIES

PROJECT NO.: 971020

EPC CONTRACTOR: HIRGAN ENERGY - DESIGN & INSPECTION COMPANIES

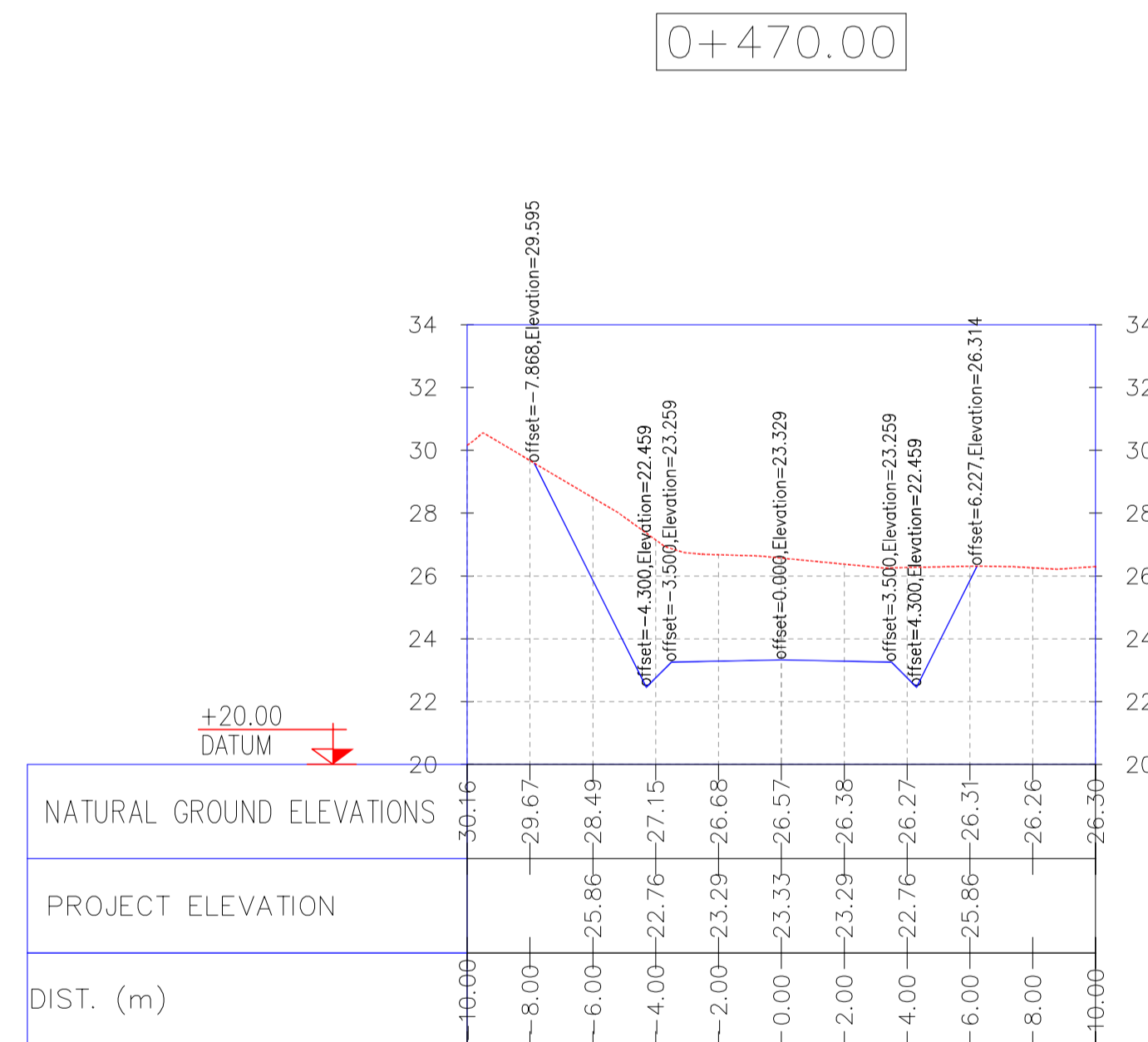
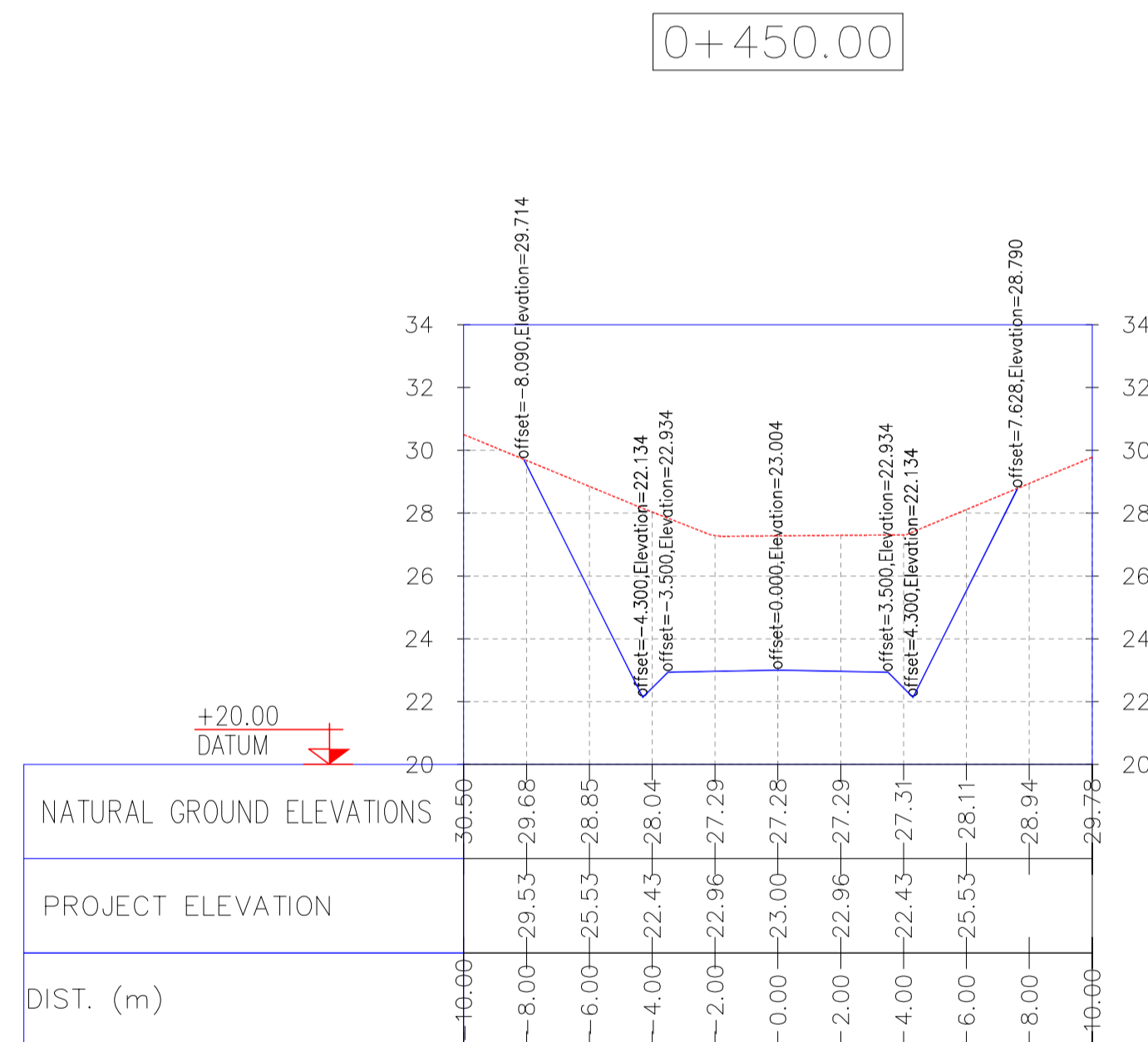
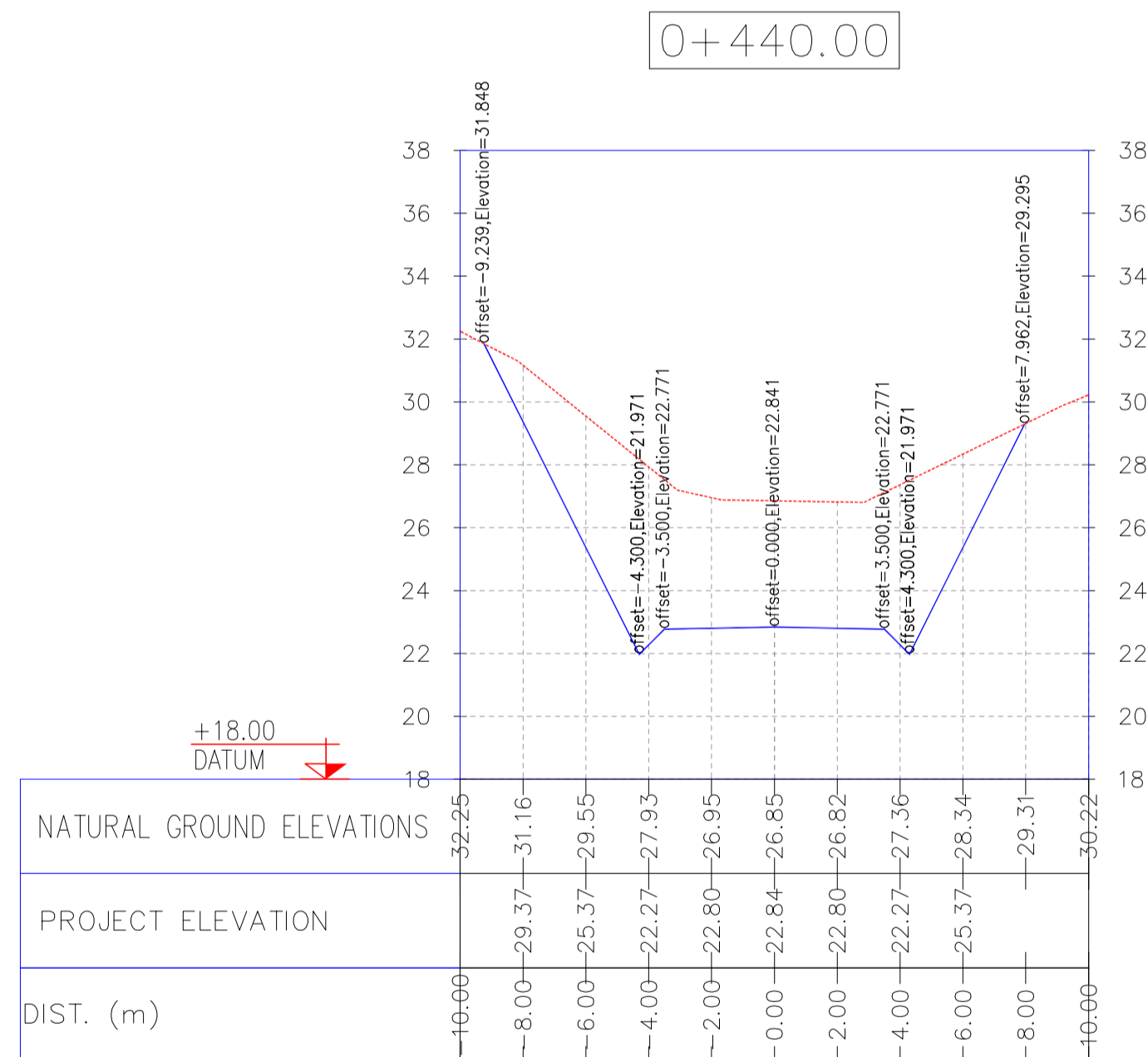
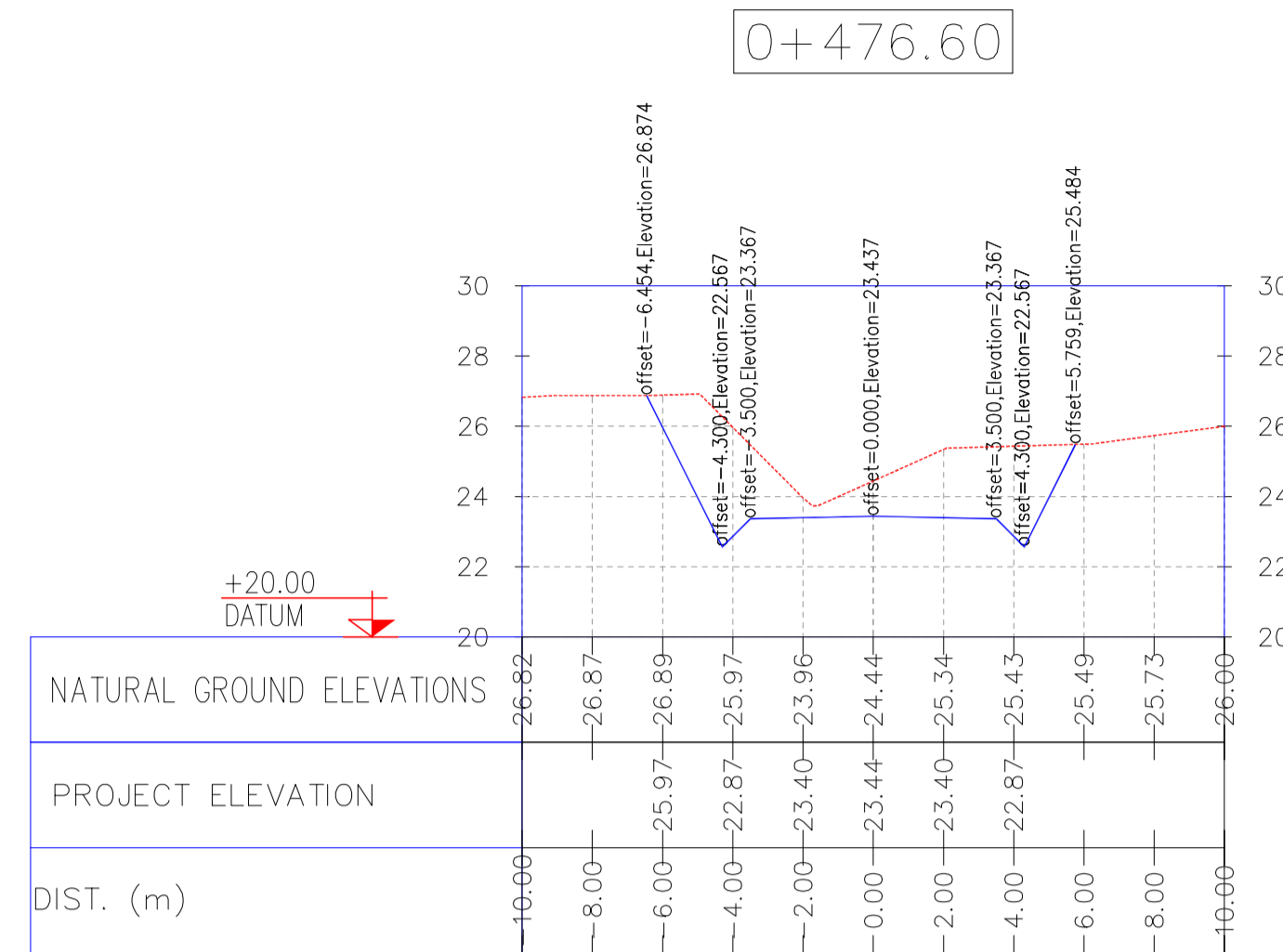
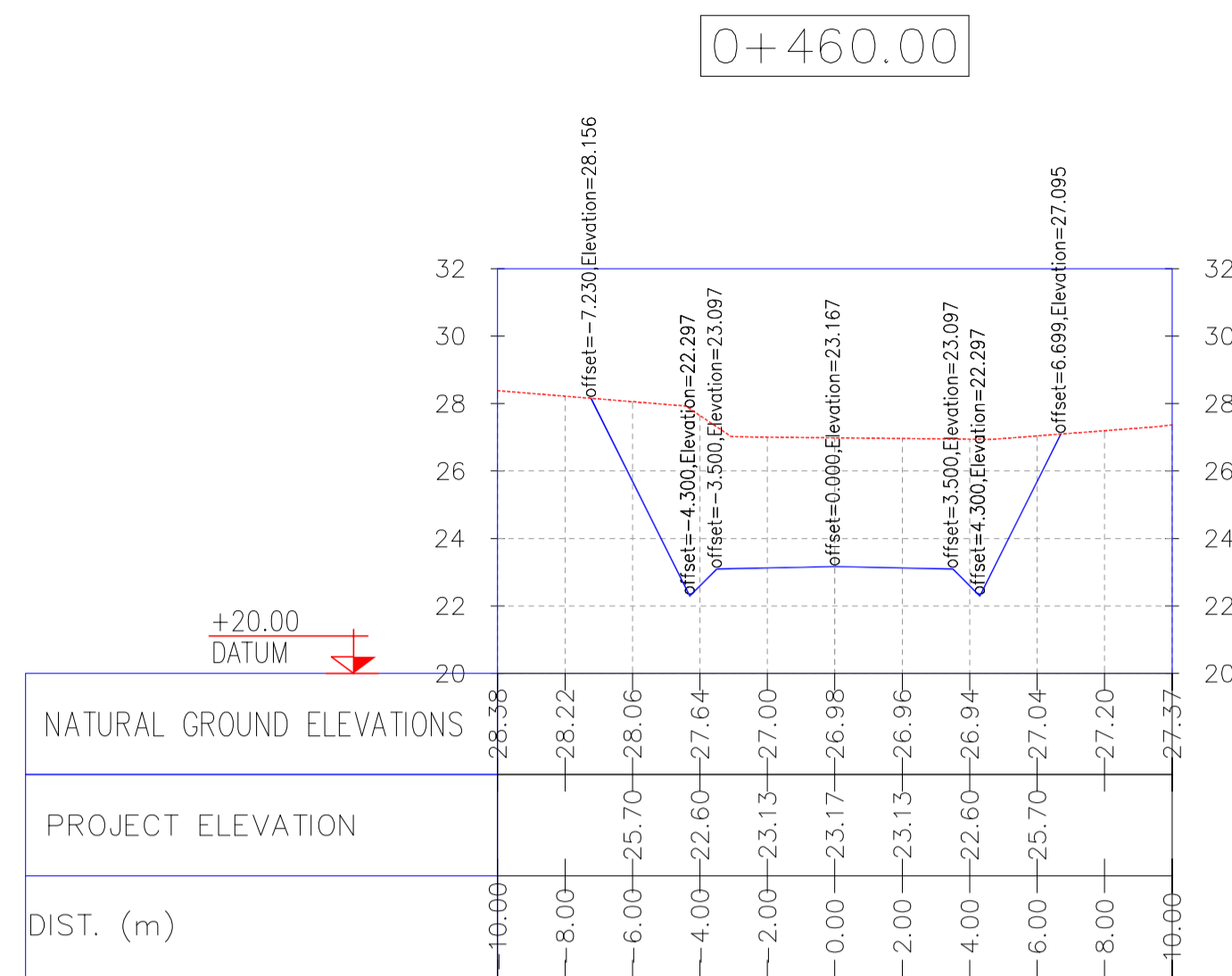
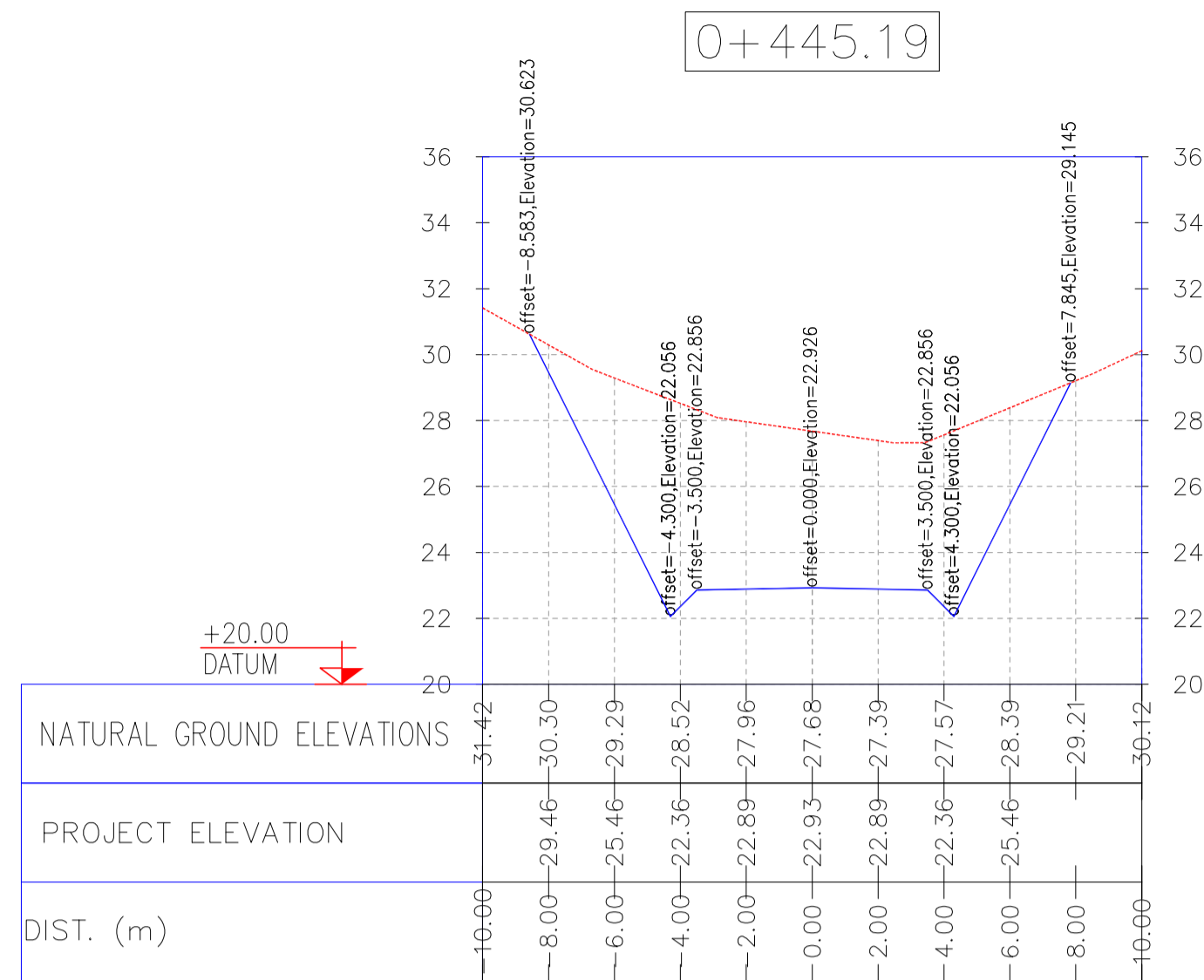
EPD/EPC CONTRACTOR(GC): PETROIRAN DEVELOPMENT COMPANY

DRAWING TITLE: CIVIL AND STRUCTURAL DRAWINGS-W028S ACCESS ROAD TRANSVERSAL SECTIONS KM 400~430M

SCALE	SIZE	DRAWING NO.	SHEET NO.	REV.	BUDGET REF.	LOCATION	SIZE	CLASS	SERIAL NO.	SHEET	REVISION
H=1/200 V=1/200	A1	BK-W028-PEDCO-110-CV-PY-0002	30 of 42	D05	053-073-9184	F	4	S	707548	30	D05

NO CONSTRUCTION PERMITTED UNLESS DRAWING APPROVED

APPROVED FOR CONSTRUCTION BY: _____ DATE: _____



NOTES

- ALL COORDINATES AND ELEVATIONS ARE IN METER.
- ALL DRAWINGS SHALL BE CHECKED BY CONTRACTOR WITH RELATIVE DRAWINGS BEFORE CONSTRUCTION.
- GEODETIC PARAMETERS FOR COORDINATES ARE AS BELOW:
 HORIZONTAL COORDINATE SYSTEM: WGS84/UTM ZONE 39
 ELLIPSOID: WORLD GEODETIC SYSTEM 1984 (WGS84)
 MAP PROJECTION: UNIVERSAL TRANSVERSE MERCATOR (UTM)
 VERTICAL DATUM: MSL

LEGEND

REFERENCE DRAWING	DRG. No.
General Civil Layout -W028	BK-W028-PEDCO-110-CV-PY-0001
Rough Grading Plans -W028	BK-W028-PEDCO-110-CV-DW-0001
Standard Drawing For Culvert & Details	BK-GNRAL-PEDCO-000-CV-DW-0014
Specification For Earth Work	BK-GNRAL-PEDCO-000-CV-SP-0004
Standard Drawing For Slope Protection Details	BK-GNRAL-PEDCO-000-CV-DW-0002

KEY PLAN

D05	JUL.2022	IPA	R. BERLOURI	M.PAKHARIAN	M.MEHRSHAD	***
D04	JUN.2022	IPA	R. BERLOURI	M.PAKHARIAN	M.MEHRSHAD	**
D03	MAY.2022	IPA	R. BERLOURI	M.PAKHARIAN	M.MEHRSHAD	**
D02	MAR.2022	IPA	R. BERLOURI	M.PAKHARIAN	M.MEHRSHAD	**
D01	NOV.2021	IPA	R. BERLOURI	M.PAKHARIAN	M.MEHRSHAD	**
D00	OCT.2021	IPC	R. BERLOURI	M.PAKHARIAN	SH.GHALIKAR	**
REV.	DATE	P.O.I.S	PREP.	CHK.	APP.	AUT.

اسم و کلیه نسخ این نقشه و حق اقتباس متعلق به شرکت ملی مناطق نفت خیز جنوب میباشد.
 THE ORIGINAL AND ALL COPIES OF THIS DRAWING TOGETHER WITH THE COPYRIGHT THEREIN ARE THE SOLE PROPERTY OF N.I.S.O.C./ FIELDS

PROJECT NAME: BINAK OILFIELD DEVELOPMENT/SUB-SURFACE WORK PACKAGES W028 WELLHEAD FACILITIES

PROJECT NO.: 971020

EPC CONTRACTOR: HIRGAN ENERGY - DESIGN & INSPECTION COMPANIES

EPD/EPC CONTRACTOR(GC): PETROIRAN DEVELOPMENT COMPANY

DRAWING TITLE: CIVIL AND STRUCTURAL DRAWINGS-W028S ACCESS ROAD TRANSVERSAL SECTIONS KM 445.19~476.6M

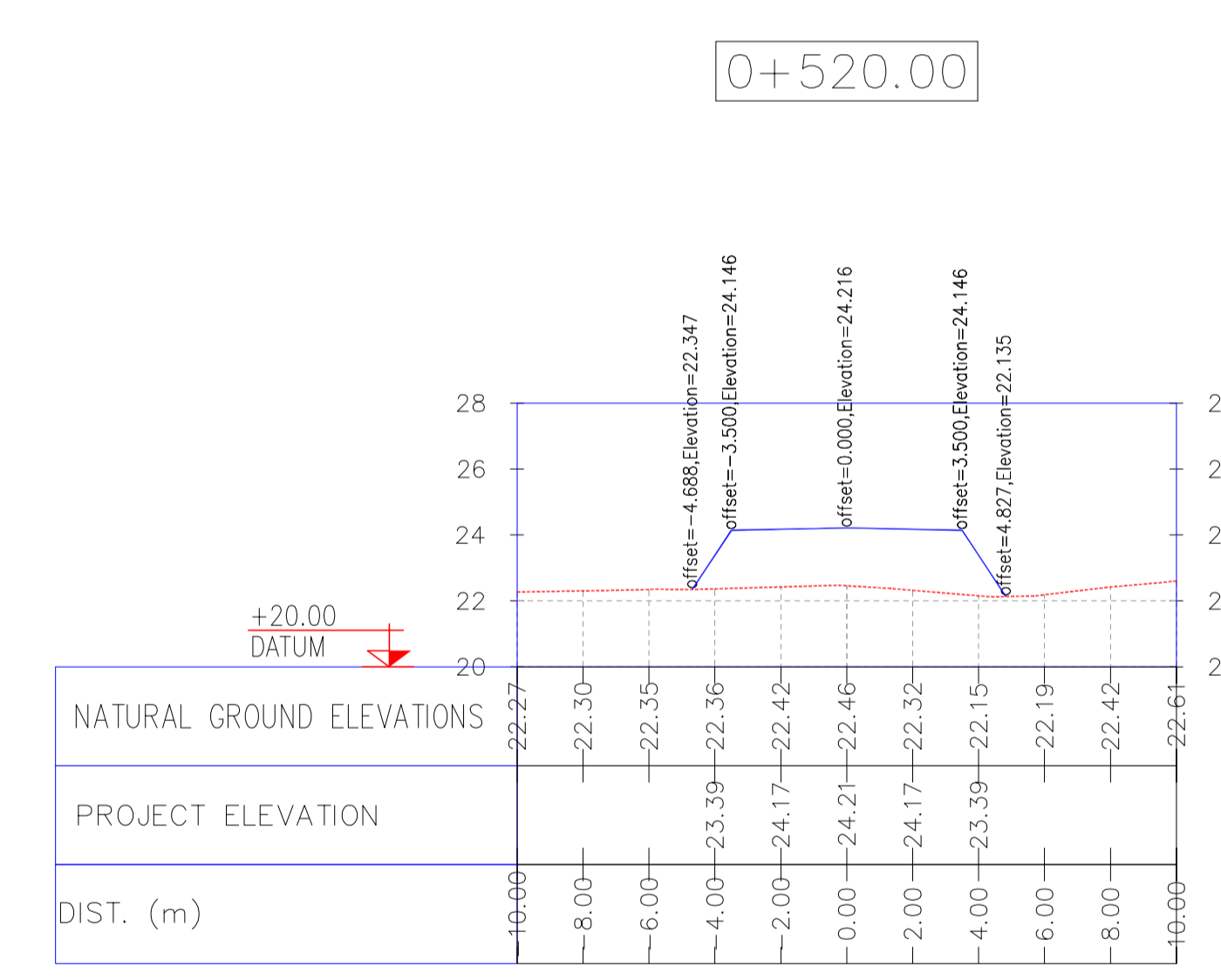
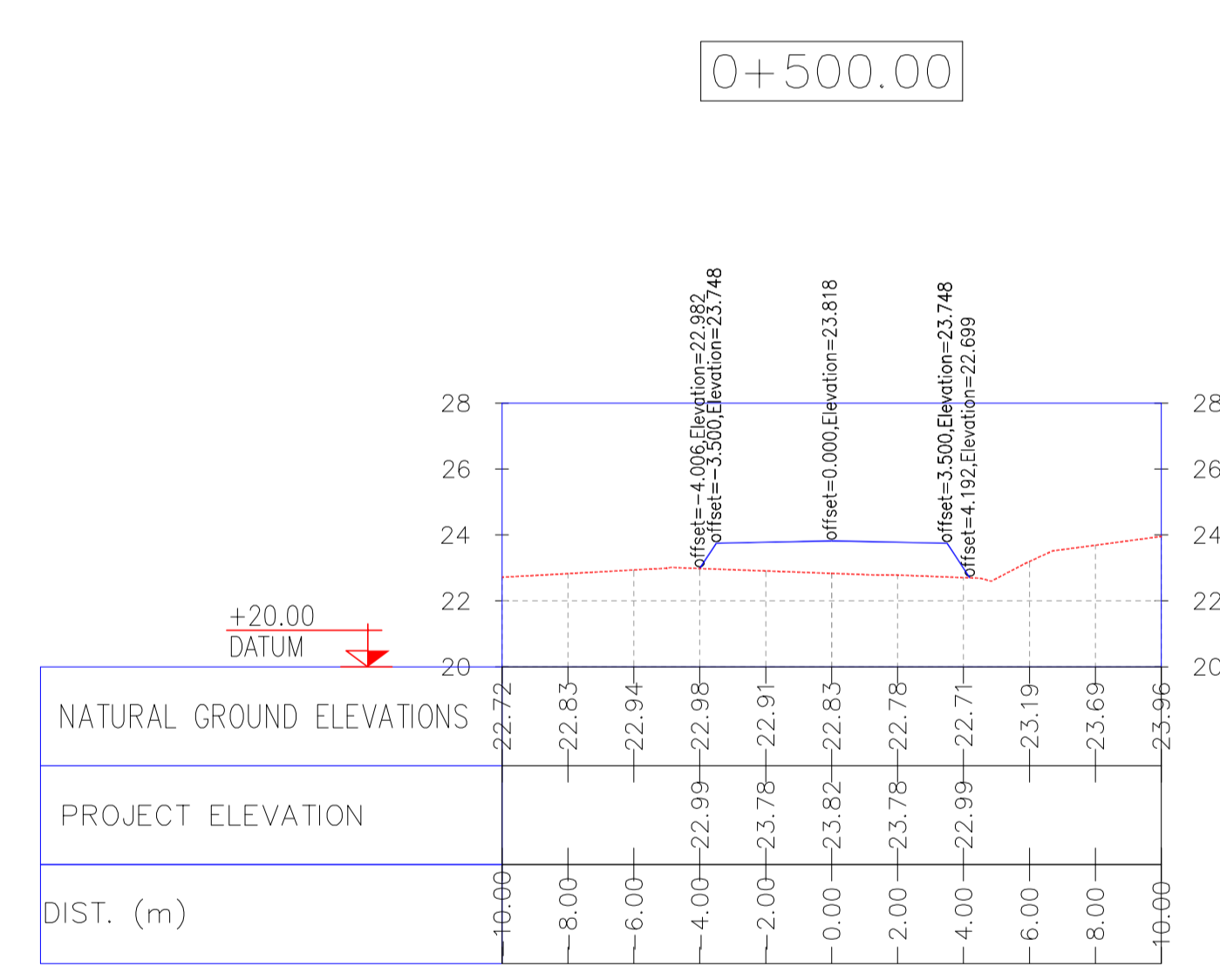
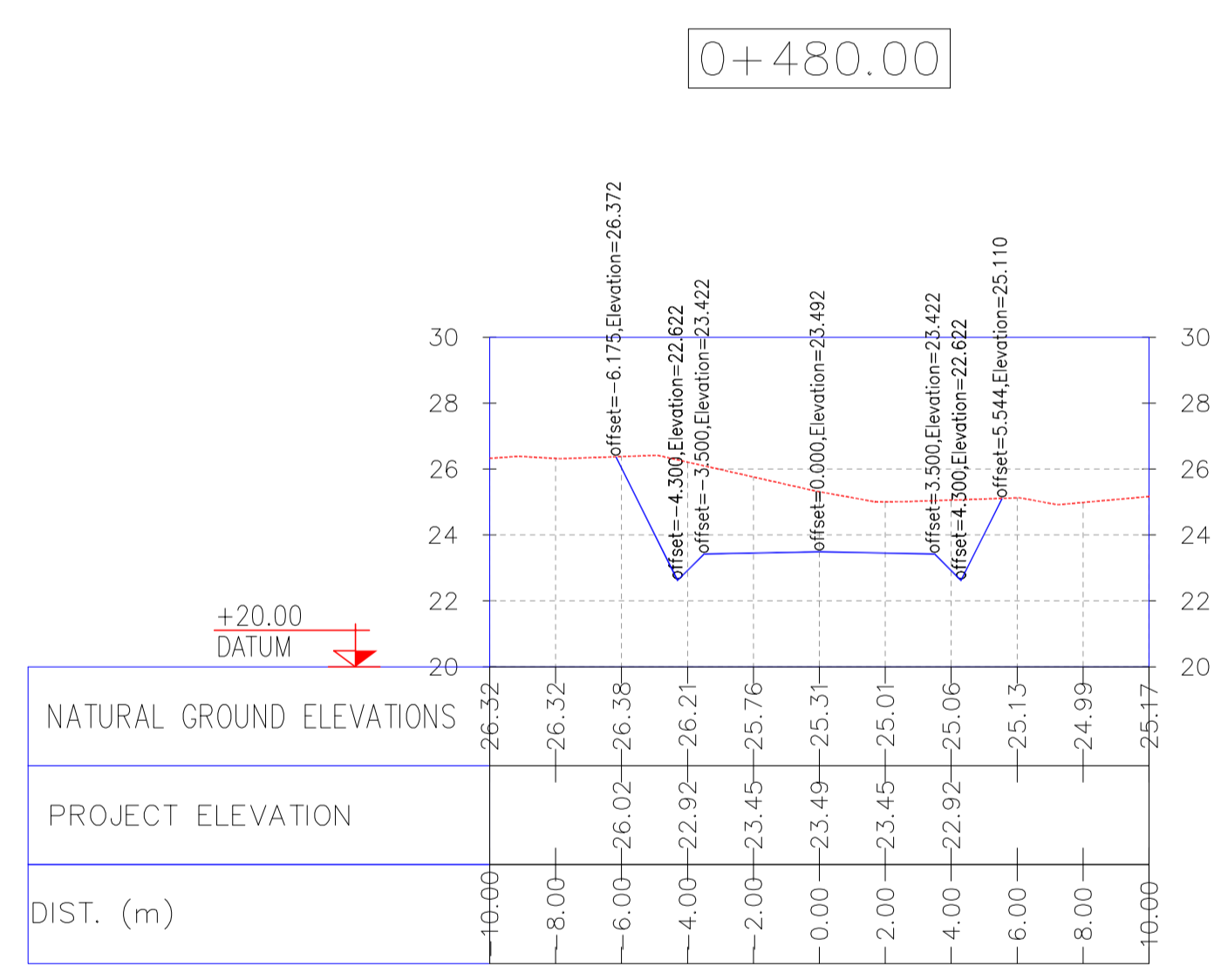
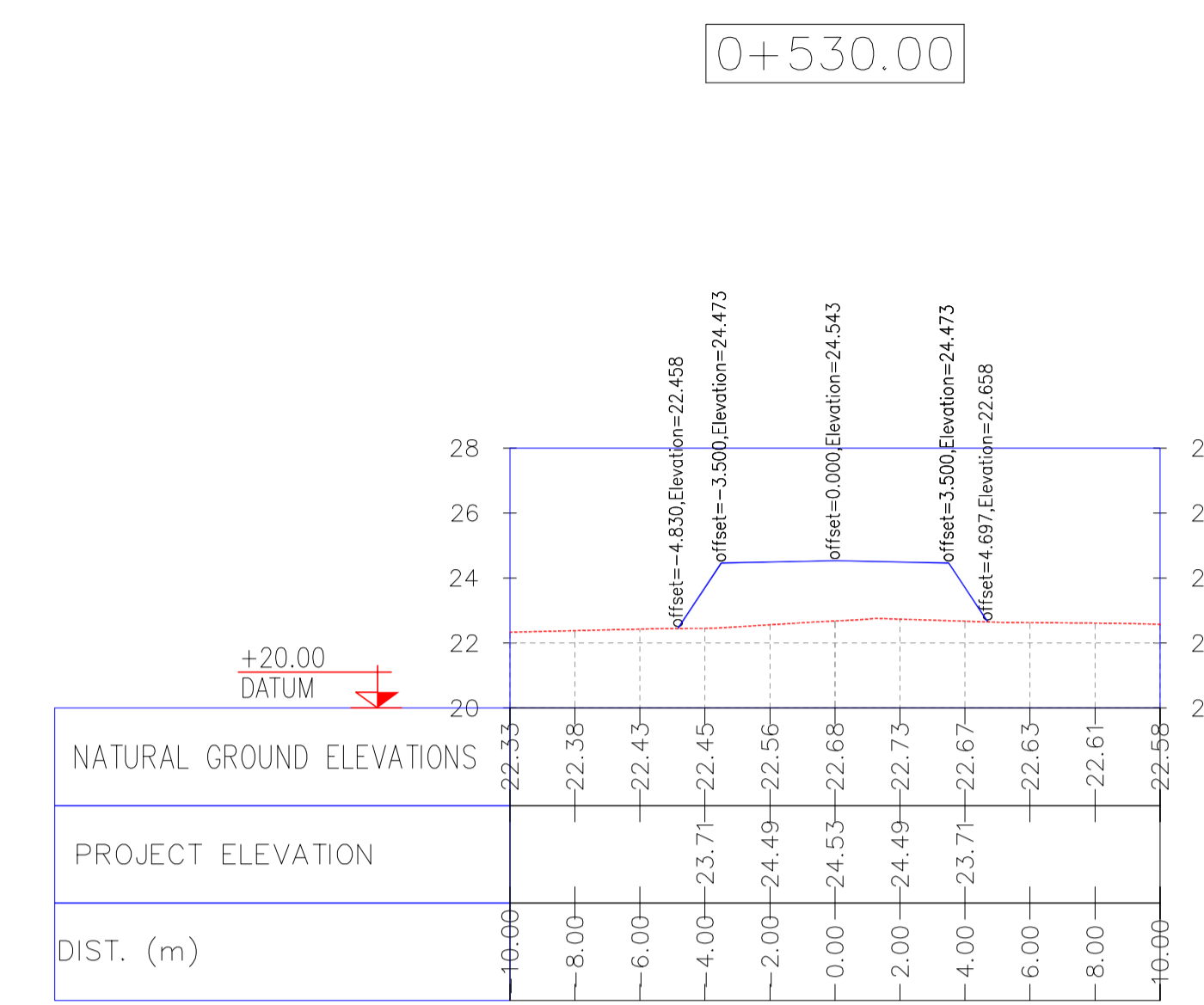
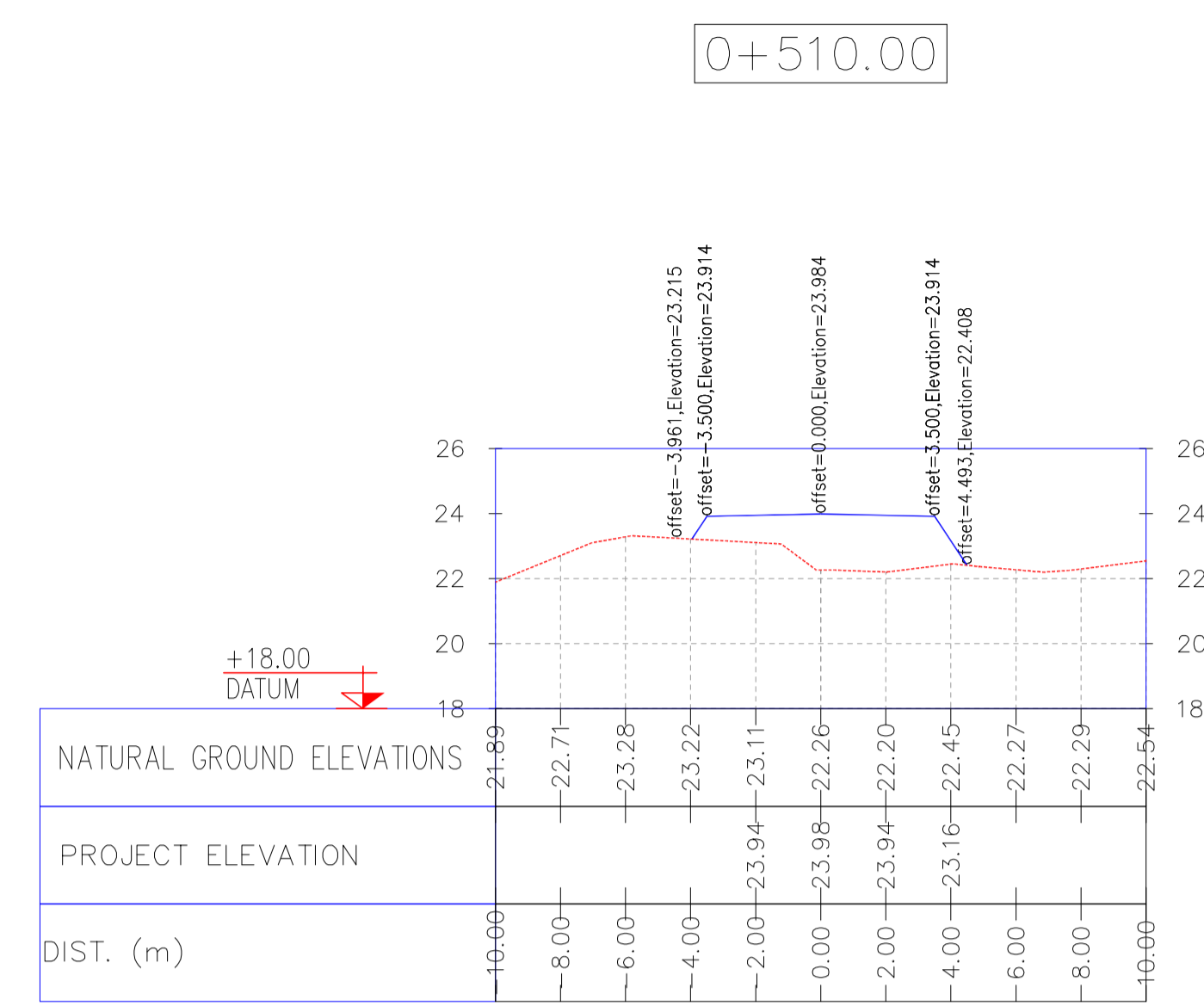
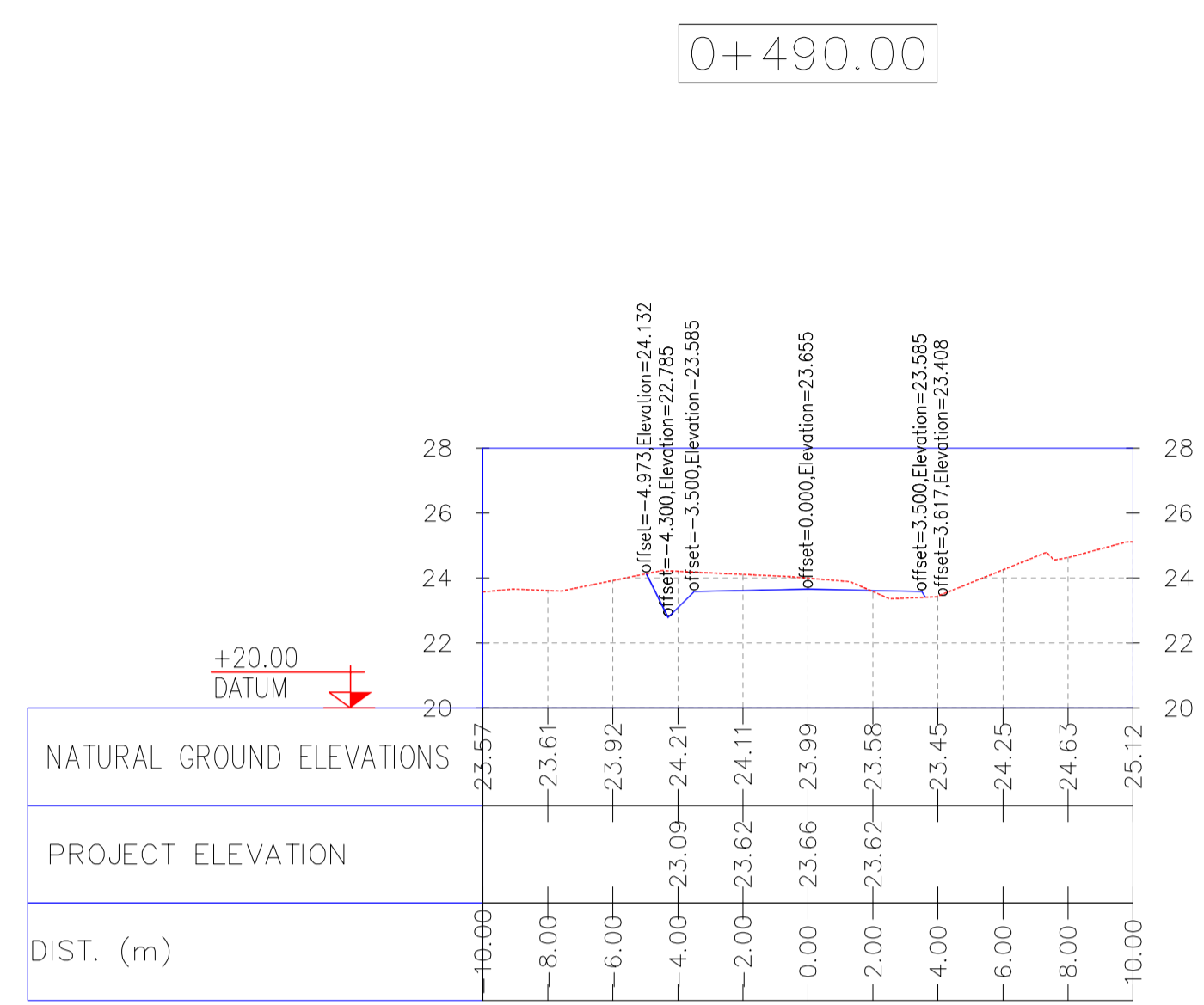
SCALE	SIZE	DRAWING NO.	SHEET NO.	REV.	BUDGET REF.	LOCATION	SIZE	CLASS	SERIAL NO.	SHEET	REVISION
H=1/200 V=1/200	A1	BK-W028-PEDCO-110-CV-PY-0002	31 of 42	D05	053-073-9184	F	4	S	707548	31	D05

NO CONSTRUCTION PERMITTED UNLESS DRAWING APPROVED

APPROVED FOR CONSTRUCTION	BY:	DATE:

NOTES

- 1- ALL COORDINATES AND ELEVATIONS ARE IN METER.
- 2- ALL DRAWINGS SHALL BE CHECKED BY CONTRACTOR WITH RELATIVE DRAWINGS BEFORE CONSTRUCTION.
- 3- GEODETIC PARAMETERS FOR COORDINATES ARE AS BELOW:
 HORIZONTAL COORDINATE SYSTEM: WGS84/UTM ZONE 39
 ELLIPSOID : WORLD GEODETIC SYSTEM 1984 (WGS84)
 MAP PROJECTION: UNIVERSAL TRANSVERSE MERCATOR (UTM)
 VERTICAL DATUM: MSL



LEGEND

REFERENCE DRAWING	DRG. No.
General Civil Layout -W028	BK-W028-PEDCO-110-CV-PY-0001
Rough Grading Plans -W028	BK-W028-PEDCO-110-CV-DW-0001
Standard Drawing For Culvert & Details	BK-GNRL-PEDCO-000-CV-DW-0014
Specification For Earth Work	BK-GNRL-PEDCO-000-CV-SP-0004
Standard Drawing For Slope Protection Details	BK-GNRL-PEDCO-000-CV-DW-0002

KEY PLAN

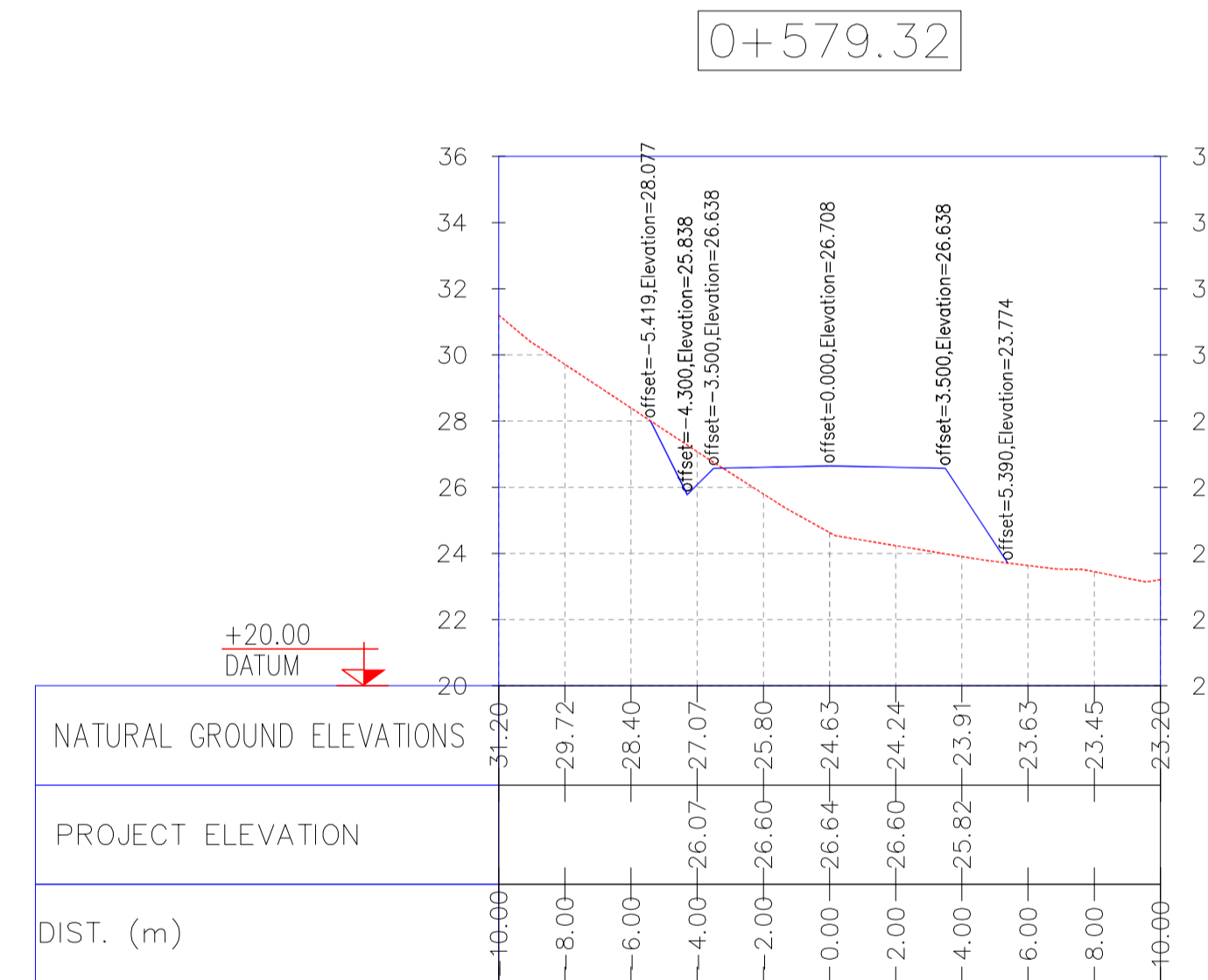
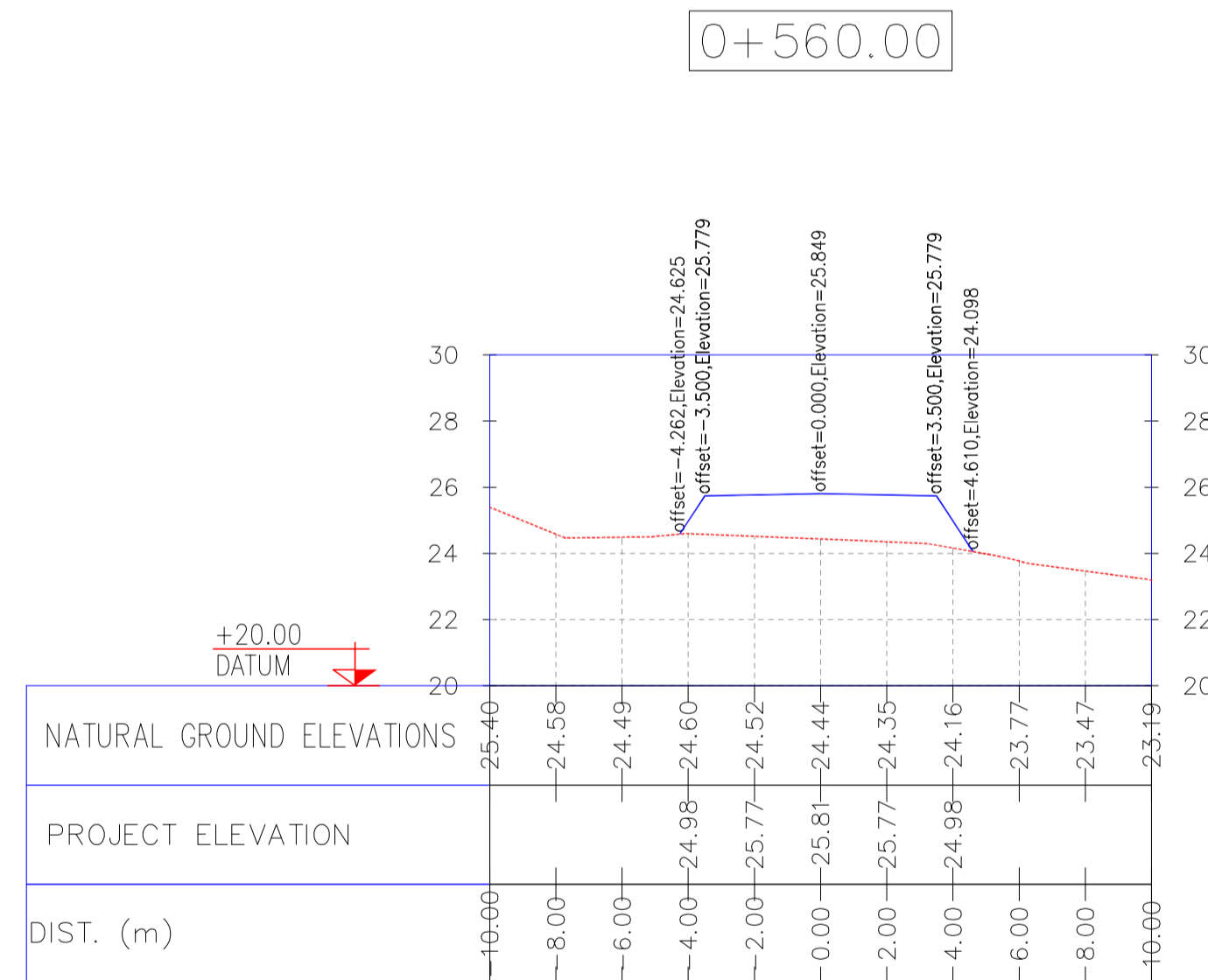
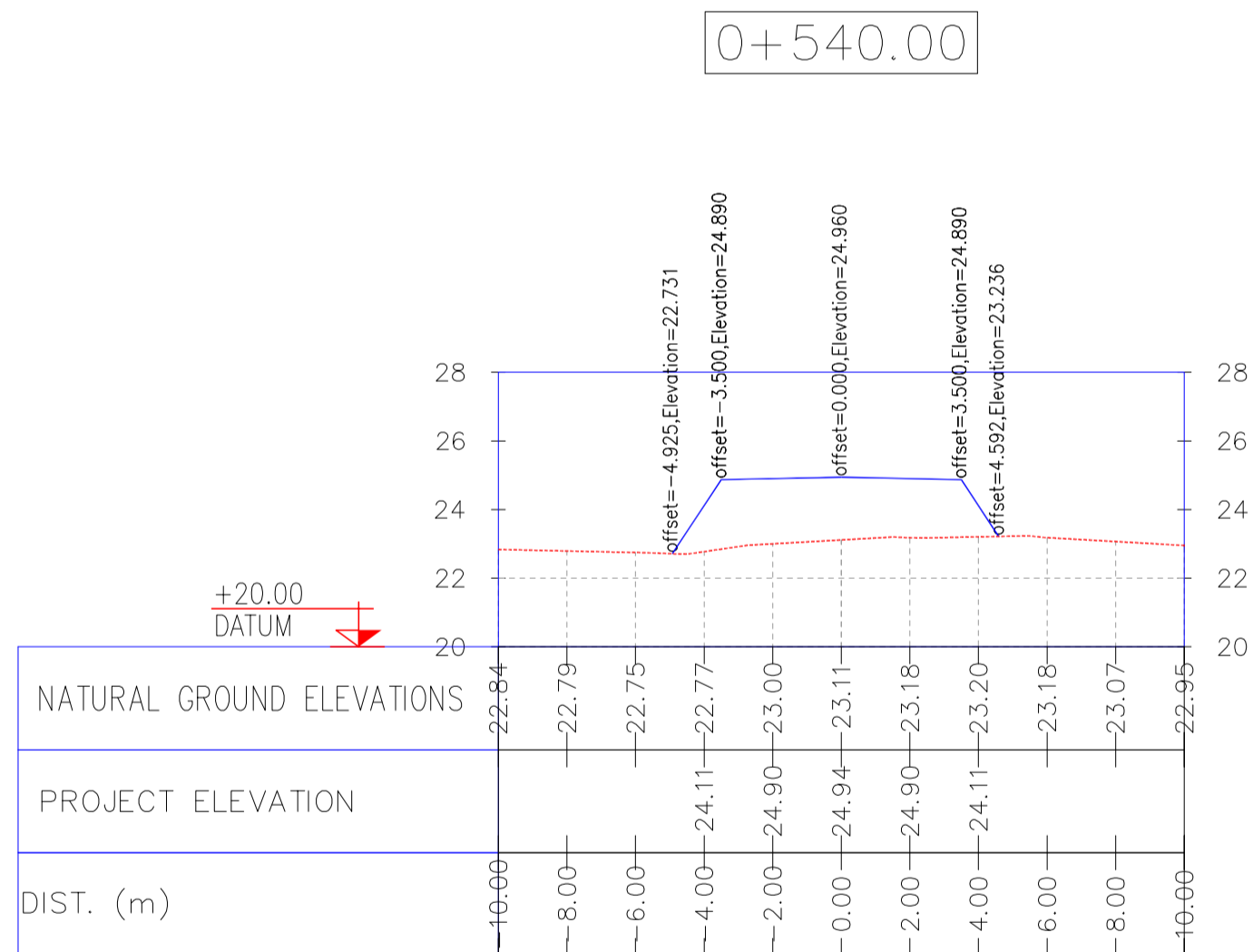
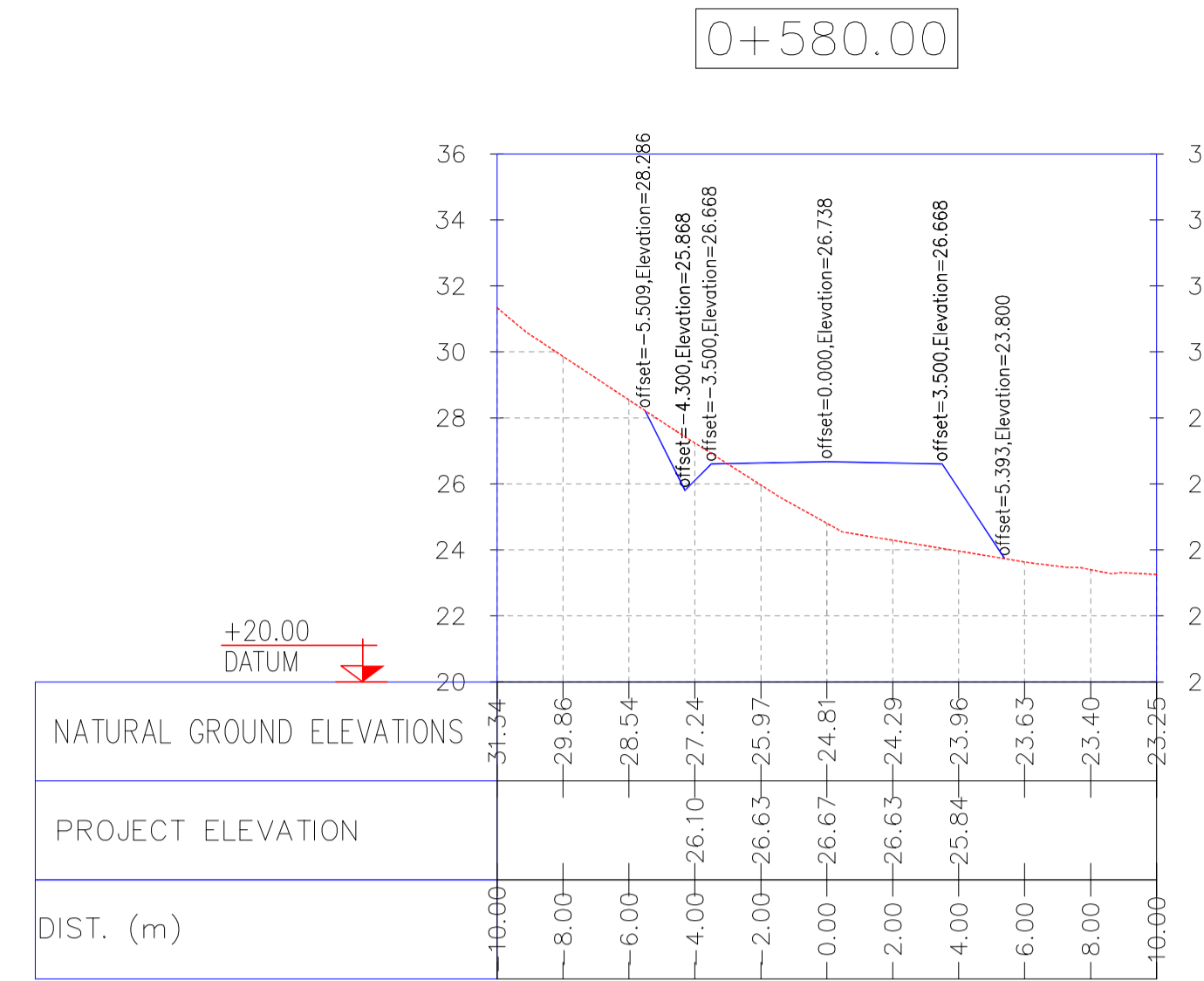
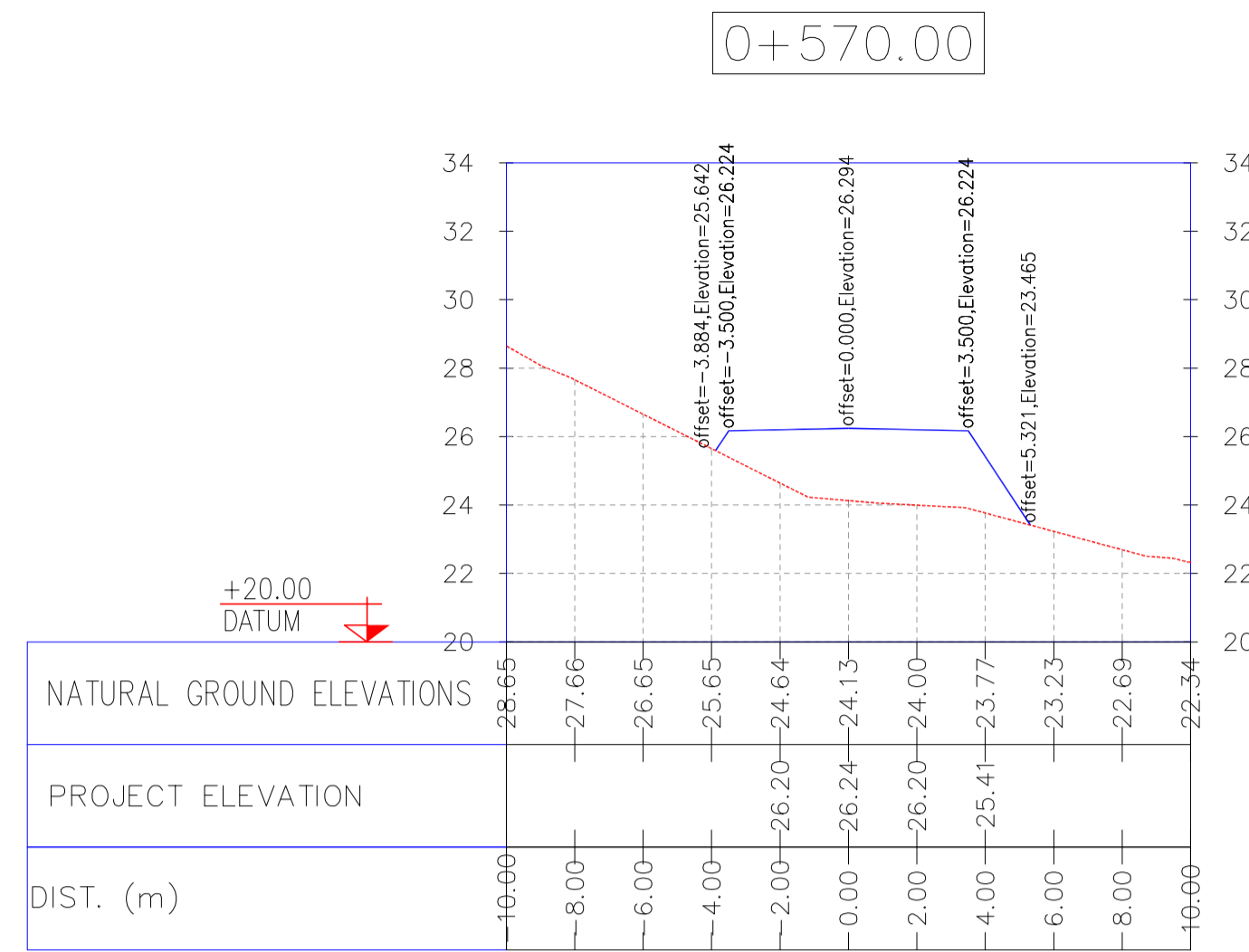
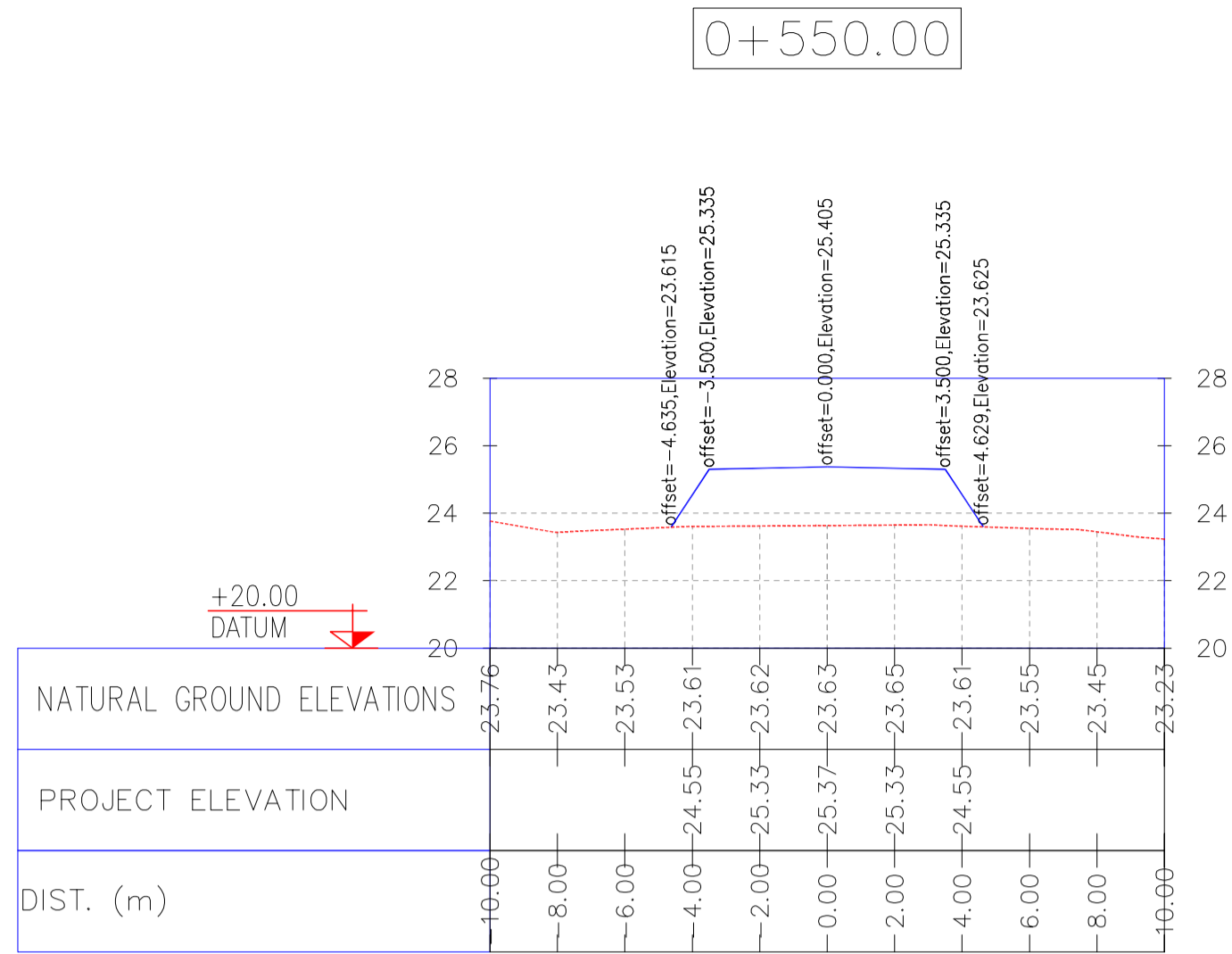
D05	JUL.2022	IPA	R. BERLOURI	M.PAKHARIAN	M.MEHRSHAD	***
D04	JUN.2022	IPA	R. BERLOURI	M.PAKHARIAN	M.MEHRSHAD	**
D03	MAY.2022	IPA	R. BERLOURI	M.PAKHARIAN	M.MEHRSHAD	**
D02	MAR.2022	IPA	R. BERLOURI	M.PAKHARIAN	M.MEHRSHAD	**
D01	NOV.2021	IPA	R. BERLOURI	M.PAKHARIAN	M.MEHRSHAD	**
D00	OCT.2021	IPC	R. BERLOURI	M.PAKHARIAN	SH.GHALIKAR	**

REV.	DATE	P.O.I.S	PREP.	CHK.	APP.	AUT.
PROJECT NAME: BINAK OILFIELD DEVELOPMENT/SUB-SURFACE WORK PACKAGES W028 WELLHEAD FACILITIES						
PROJECT NO.: 971020						
EPC CONTRACTOR: HIRGAN ENERGY - DESIGN & INSPECTION COMPANIES			EPD/EPC CONTRACTOR(GC): PETROIRAN DEVELOPMENT COMPANY			
DRAWING TITLE: CIVIL AND STRUCTURAL DRAWINGS-W028S ACCESS ROAD TRANSVERSAL SECTIONS KM 490~530M						
SCALE	SIZE	DRAWING NO.		SHEET NO.	REV.	
H=1/200 V=1/200	A1	BK-W028-PEDCO-110-CV-PY-0002		32 of 42	D05	
BUDGET REF.	LOCATION	SIZE	CLASS	SERIAL NO.	SHEET	REVISION
053-073-9184	F	4	S	707548	32	D05

اصل و کليه نسخ اين نقشه و حق اقتباس متعلق به شرکت ملی مناطق نفت خیز جنوب میباشد.

THE ORIGINAL AND ALL COPIES OF THIS DRAWING TOGETHER WITH THE COPYRIGHT THEREIN ARE THE SOLE PROPERTY OF N.I.S.O.C./ FIELDS

DATE	SCALE	DRAWING BY	CHECKED BY	PROJECT ENG.
NO CONSTRUCTION PERMITTED UNLESS DRAWING APPROVED				
APPROVED FOR CONSTRUCTION			BY:	DATE:



NOTES

- 1- ALL COORDINATES AND ELEVATIONS ARE IN METER.
- 2- ALL DRAWINGS SHALL BE CHECKED BY CONTRACTOR WITH RELATIVE DRAWINGS BEFORE CONSTRUCTION.
- 3- GEODETIC PARAMETERS FOR COORDINATES ARE AS BELOW:
HORIZONTAL COORDINATE SYSTEM: WGS84/UTM ZONE 39
ELLIPSOID : WORLD GEOETIC SYSTEM 1984 (WGS84)
MAP PROJECTION: UNIVERSAL TRANSVERSE MERCATOR (UTM)
VERTICAL DATUM: MSL

LEGEND

REFERENCE DRAWING	DRG. No.
General Civil Layout -W028	BK-W028-PEDCO-110-CV-PY-0001
Rough Grading Plans -W028	BK-W028-PEDCO-110-CV-DW-0001
Standard Drawing For Culvert & Details	BK-GNRAI-PEDCO-000-CV-DW-0014
Specification For Earth Work	BK-GNRAI-PEDCO-000-CV-SP-0004
Standard Drawing For Slope Protection Details	BK-GNRAI-PEDCO-000-CV-DW-0002

KEY PLAN

D05	JUL.2022	IPA	R. BERLOURI	M.PAKHARIAN	M.MEHRSHAD	***
D04	JUN.2022	IPA	R. BERLOURI	M.PAKHARIAN	M.MEHRSHAD	**
D03	MAY.2022	IPA	R. BERLOURI	M.PAKHARIAN	M.MEHRSHAD	**
D02	MAR.2022	IPA	R. BERLOURI	M.PAKHARIAN	M.MEHRSHAD	**
D01	NOV.2021	IPA	R. BERLOURI	M.PAKHARIAN	M.MEHRSHAD	**
D00	OCT.2021	IPC	R. BERLOURI	M.PAKHARIAN	SH.GHALIKAR	**
REV.	DATE	P.O.I.S	PREP.	CHK.	APP.	AUT.

PROJECT NAME: BINAK OILFIELD DEVELOPMENT/SUB-SURFACE WORK PACKAGES W028 WELLHEAD FACILITIES

PROJECT NO.: 971020

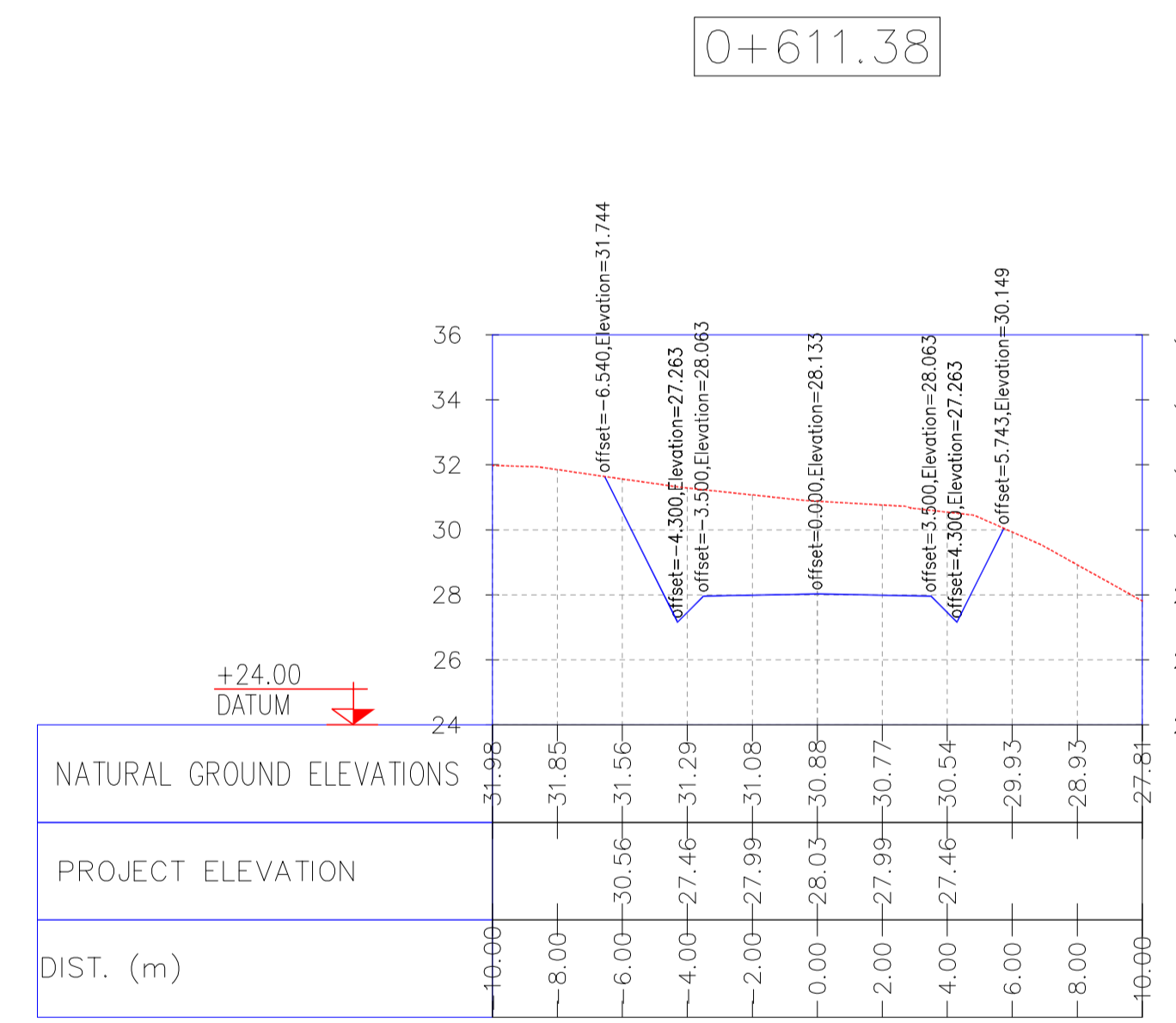
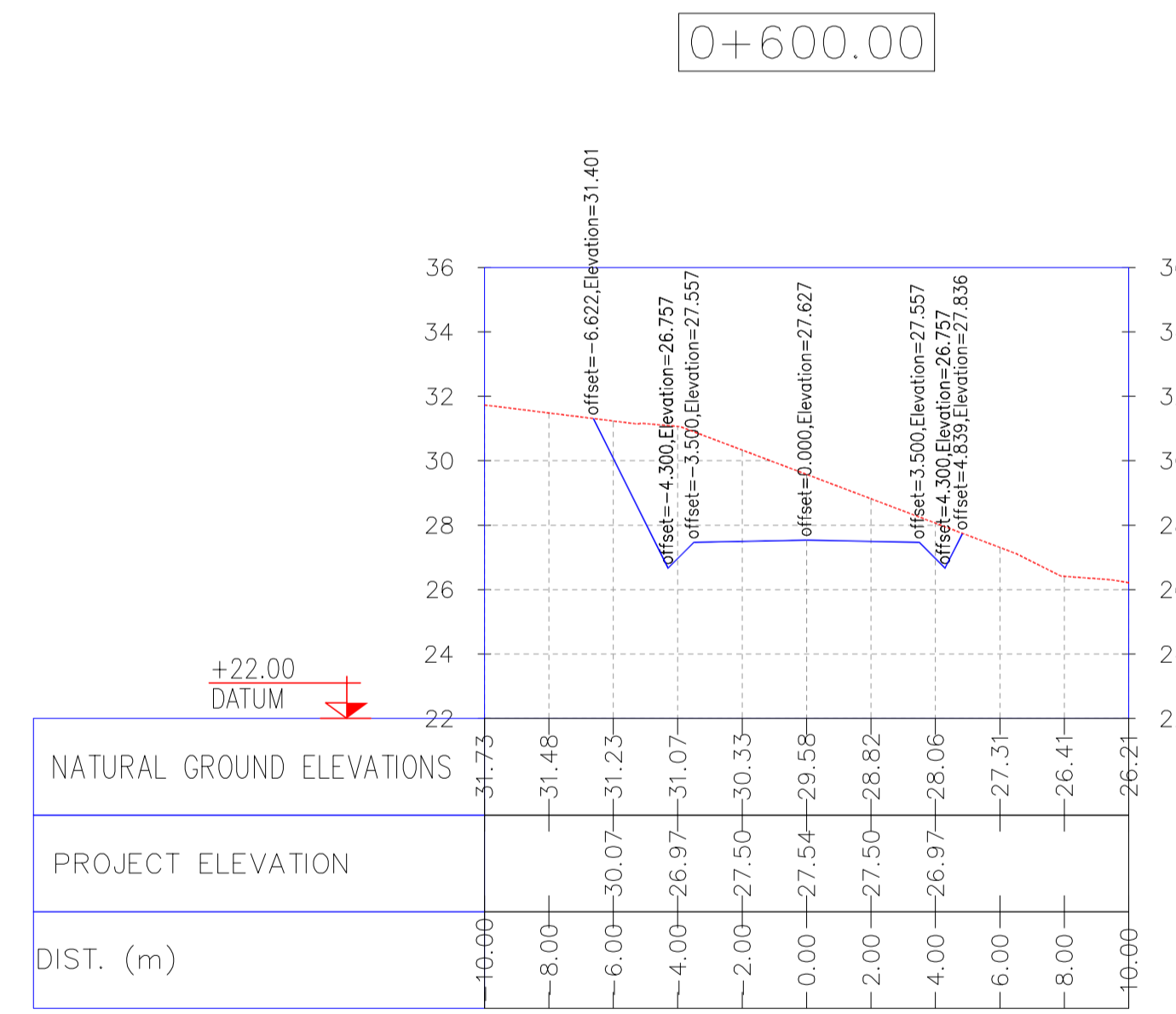
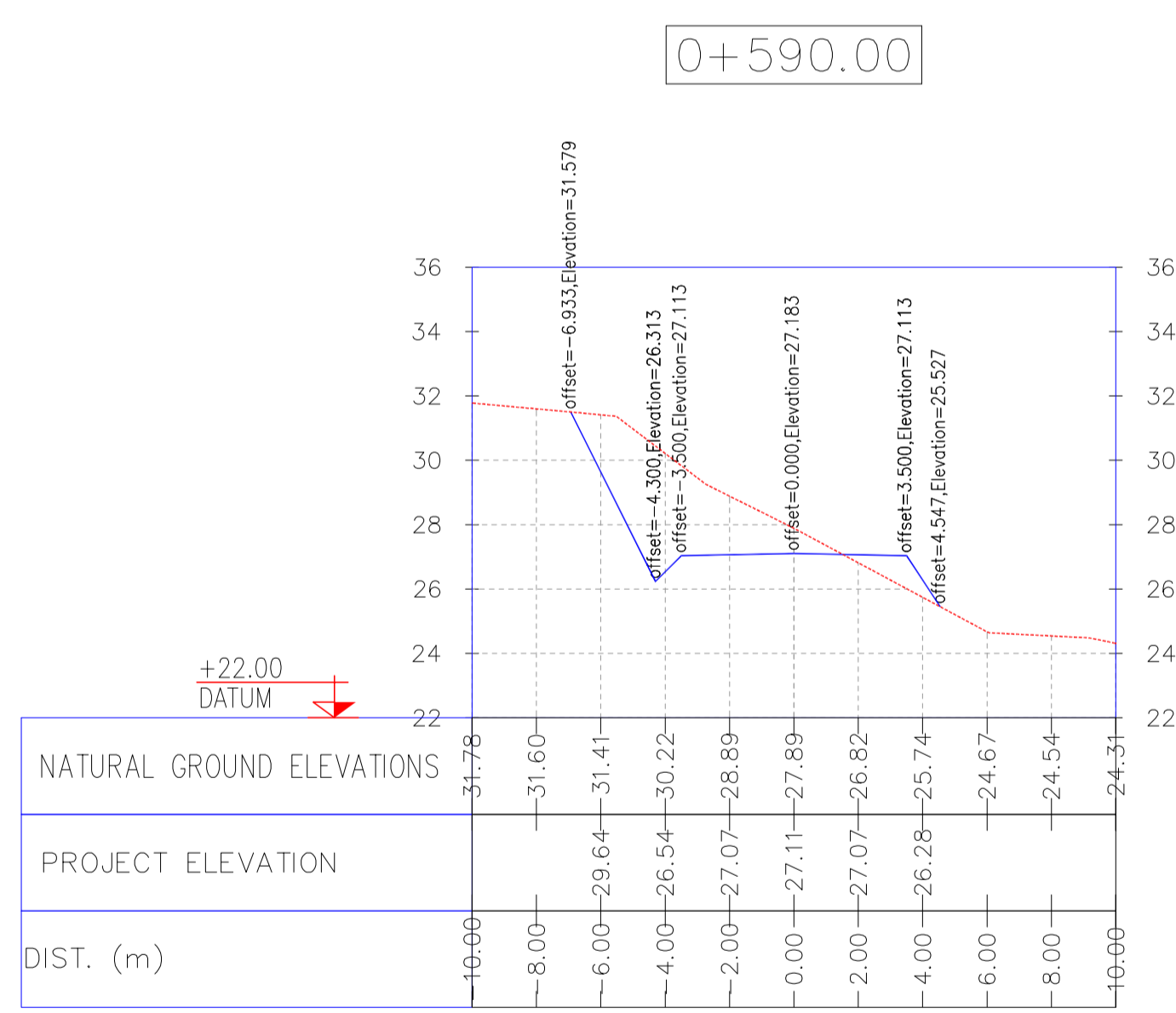
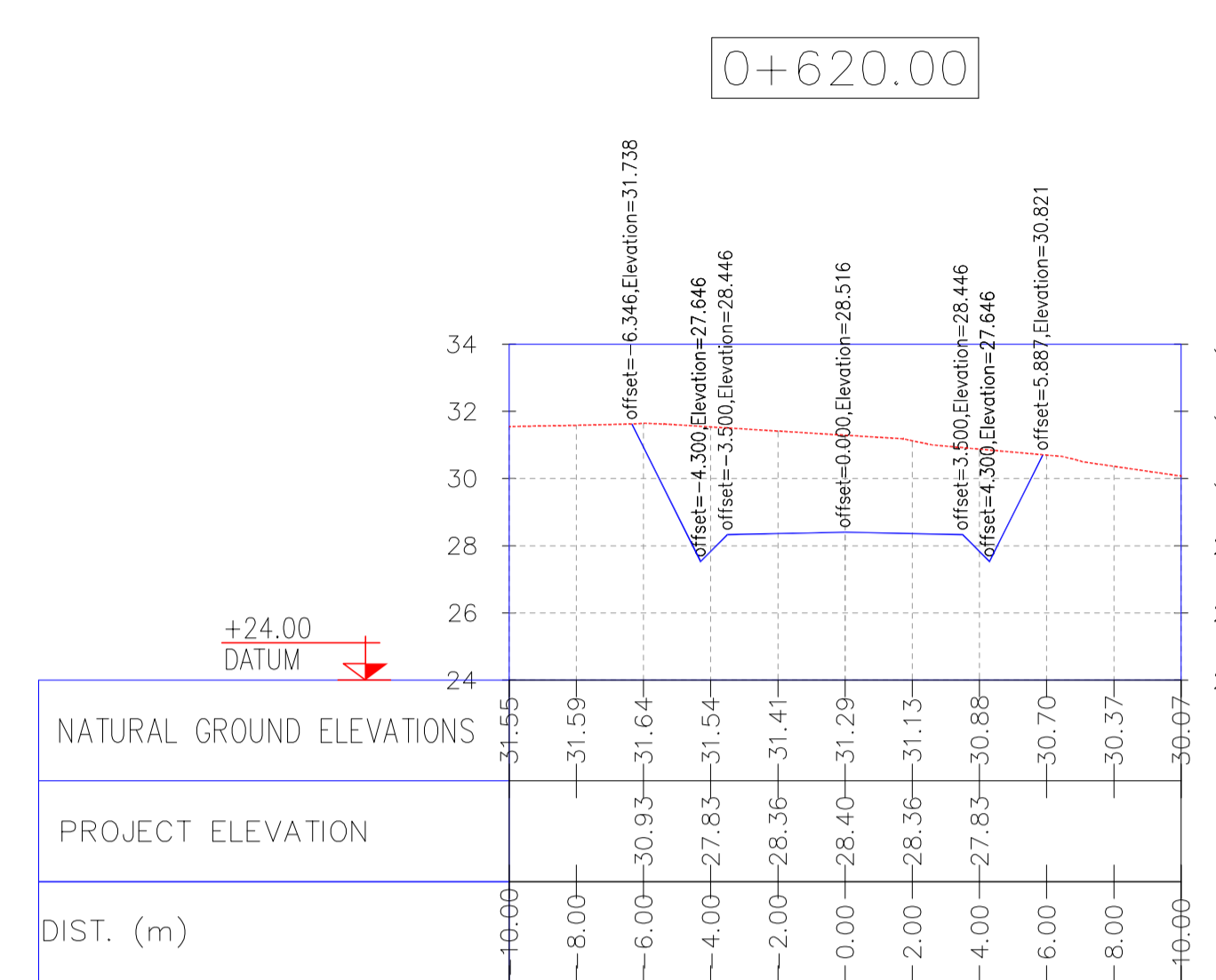
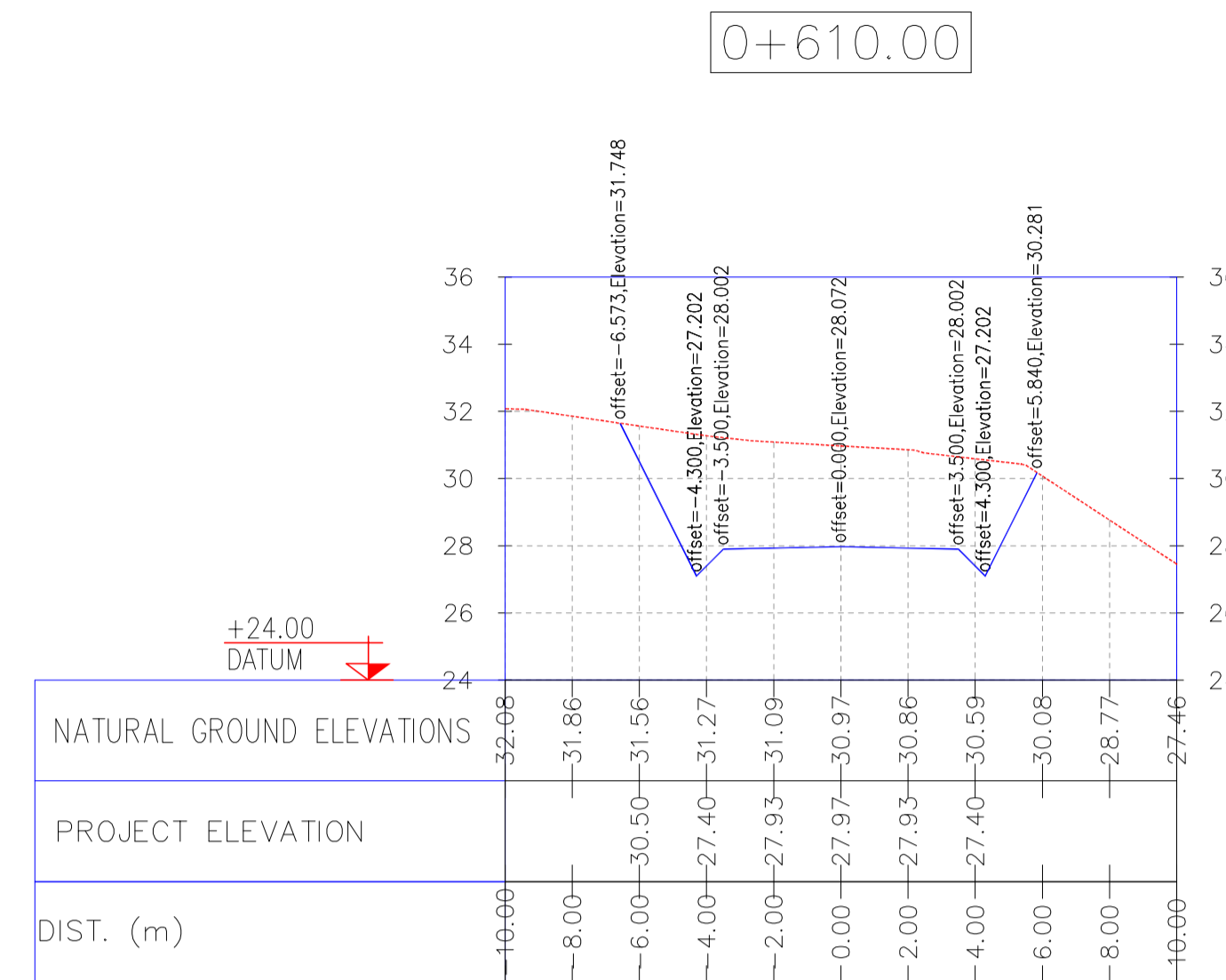
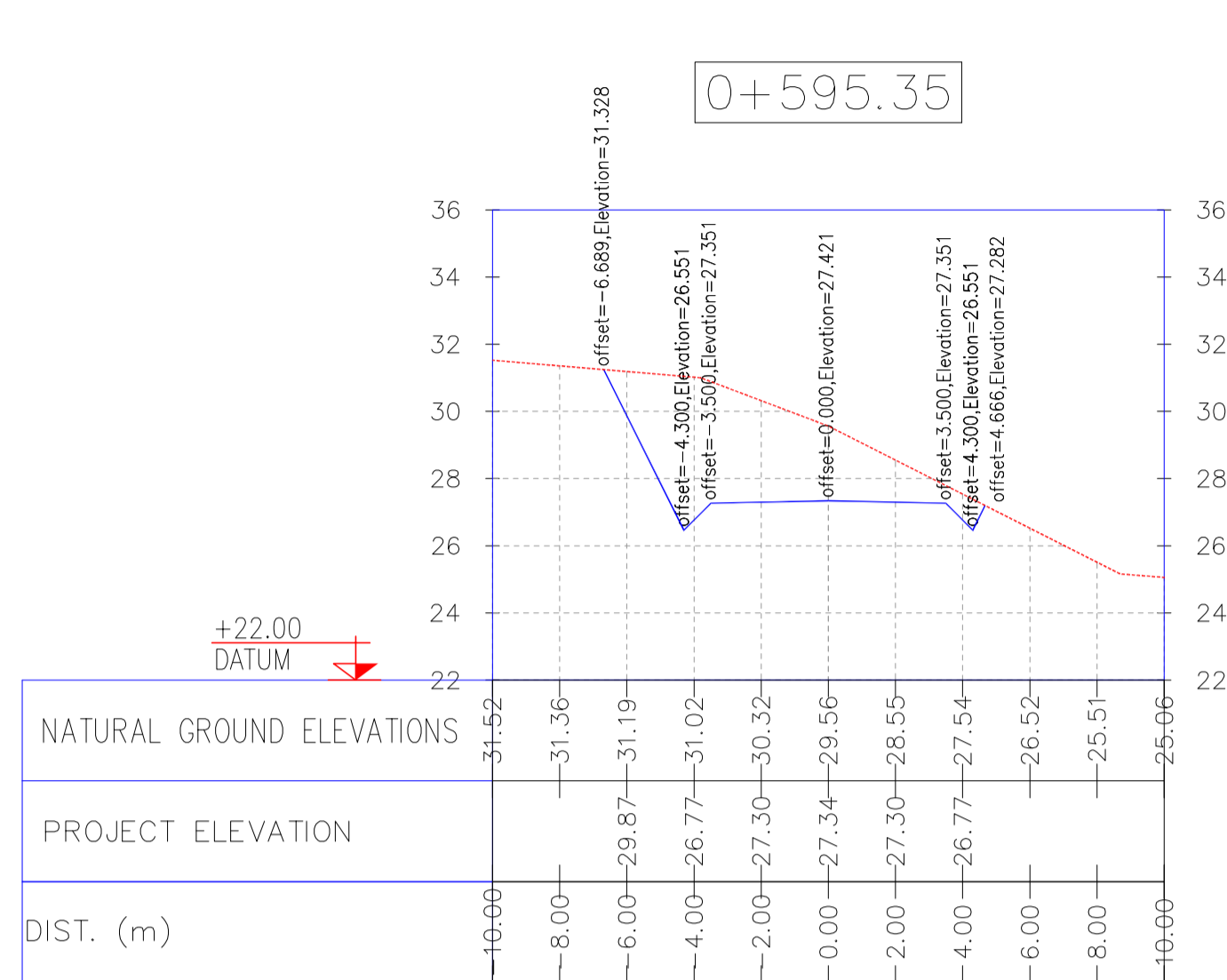
EPC CONTRACTOR: HIRGAN ENERGY - DESIGN & INSPECTION COMPANIES

EPD/EPC CONTRACTOR(GC): PETROIRAN DEVELOPMENT COMPANY

DRAWING TITLE: CIVIL AND STRUCTURAL DRAWINGS-W028S ACCESS ROAD TRANSVERSAL SECTIONS KM 550~580M

SCALE	SIZE	DRAWING NO.	SHEET NO.	REV.
H=1/200 V=1/200	A1	BK-W028-PEDCO-110-CV-PY-0002	33 of 42	D05

***	*****	**	*****	**	*****	
REV.	DESCRIPTION	BY	DATE	BY	DATE	
		CHECKED		REV. APPR.		
<p>اصل و کلیه نسخ این نقشه و حق اقتباس متعلق به شرکت ملی مناطق نفت خیز جنوب میباشد.</p> <p>THE ORIGINAL AND ALL COPIES OF THIS DRAWING TOGETHER WITH THE COPYRIGHT THEREIN ARE THE SOLE PROPERTY OF N.I.S.O.C./ FIELDS</p>						
<p>BINAK OILFIELD DEVELOPMENT SUB-SURFACE WORK PACKAGES W028 WELLHEAD FACILITIES</p>						
DATE	SCALE	DRAWING BY	CHECKED BY	PROJECT ENG.		
NO CONSTRUCTION PERMITTED UNLESS DRAWING APPROVED						
APPROVED FOR CONSTRUCTION			BY:	DATE:		
BUDGET REF.	LOCATION	SIZE	CLASS	SERIAL NO.	SHEET	REVISION
053-073-9184	F	4	S	707548	33	D05



NOTES

- ALL COORDINATES AND ELEVATIONS ARE IN METER.
- ALL DRAWINGS SHALL BE CHECKED BY CONTRACTOR WITH RELATIVE DRAWINGS BEFORE CONSTRUCTION.
- GEODETIC PARAMETERS FOR COORDINATES ARE AS BELOW:
 HORIZONTAL COORDINATE SYSTEM: WGS84/UTM ZONE 39
 ELLIPSOID: WORLD GEODEIC SYSTEM 1984 (WGS84)
 MAP PROJECTION: UNIVERSAL TRANSVERSE MERCATOR (UTM)
 VERTICAL DATUM: MSL

LEGEND

REFERENCE DRAWING	DRG. No.
General Civil Layout -W028	BK-W028-PEDCO-110-CV-PY-0001
Rough Grading Plans -W028	BK-W028-PEDCO-110-CV-DW-0001
Standard Drawing For Culvert & Details	BK-GNRL-PEDCO-000-CV-DW-0014
Specification For Earth Work	BK-GNRL-PEDCO-000-CV-SP-0004
Standard Drawing For Slope Protection Details	BK-GNRL-PEDCO-000-CV-DW-0002

KEY PLAN

D05	JUL.2022	IPA	R. BERLOURI	M.PAKHARIAN	M.MEHRSHAD	***
D04	JUN.2022	IPA	R. BERLOURI	M.PAKHARIAN	M.MEHRSHAD	**
D03	MAY.2022	IPA	R. BERLOURI	M.PAKHARIAN	M.MEHRSHAD	**
D02	MAR.2022	IPA	R. BERLOURI	M.PAKHARIAN	M.MEHRSHAD	**
D01	NOV.2021	IPA	R. BERLOURI	M.PAKHARIAN	M.MEHRSHAD	**
D00	OCT.2021	IPC	R. BERLOURI	M.PAKHARIAN	SH.GHALUKAR	**
REV.	DATE	P.O.I.S	PREP.	CHK.	APP.	AUT.

PROJECT NAME: BINAK OILFIELD DEVELOPMENT/SUB-SURFACE WORK PACKAGES W028 WELLHEAD FACILITIES

PROJECT NO.: 971020

EPC CONTRACTOR: HIRGAN ENERGY - DESIGN & INSPECTION COMPANIES

EPD/EPC CONTRACTOR(GC): PETROIRAN DEVELOPMENT COMPANY

DRAWING TITLE: CIVIL AND STRUCTURAL DRAWINGS-W028S ACCESS ROAD TRANSVERSAL SECTIONS KM 595.35~620M

SCALE	SIZE	DRAWING NO.	SHEET NO.	REV.
H=1/200 V=1/200	A1	BK-W028-PEDCO-110-CV-PY-0002	34 of 42	D05

اسم و کلیه نسخ این نقشه و حق اقتباس متعلق به شرکت ملی مناطق نفت خیز جنوب میباشد.

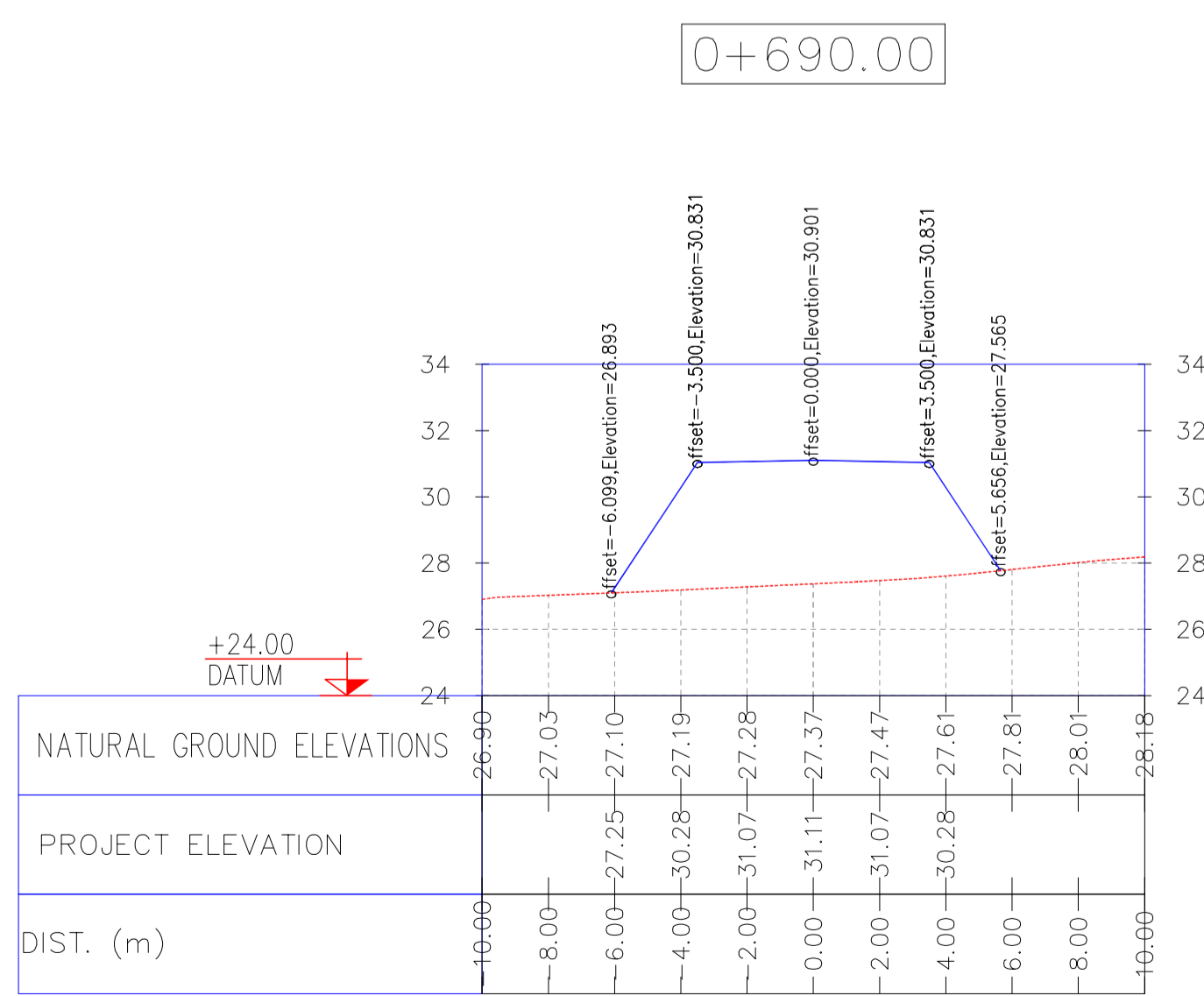
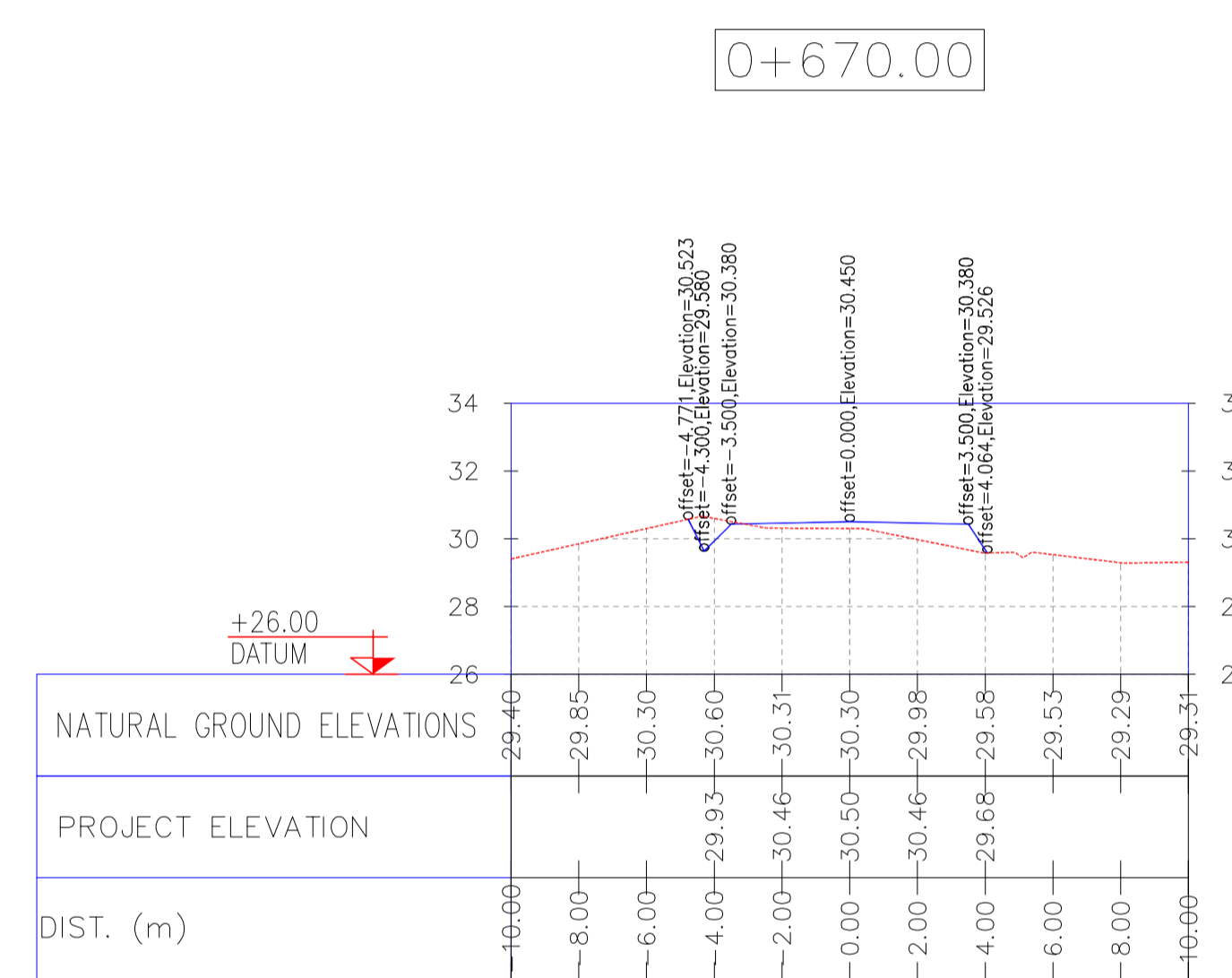
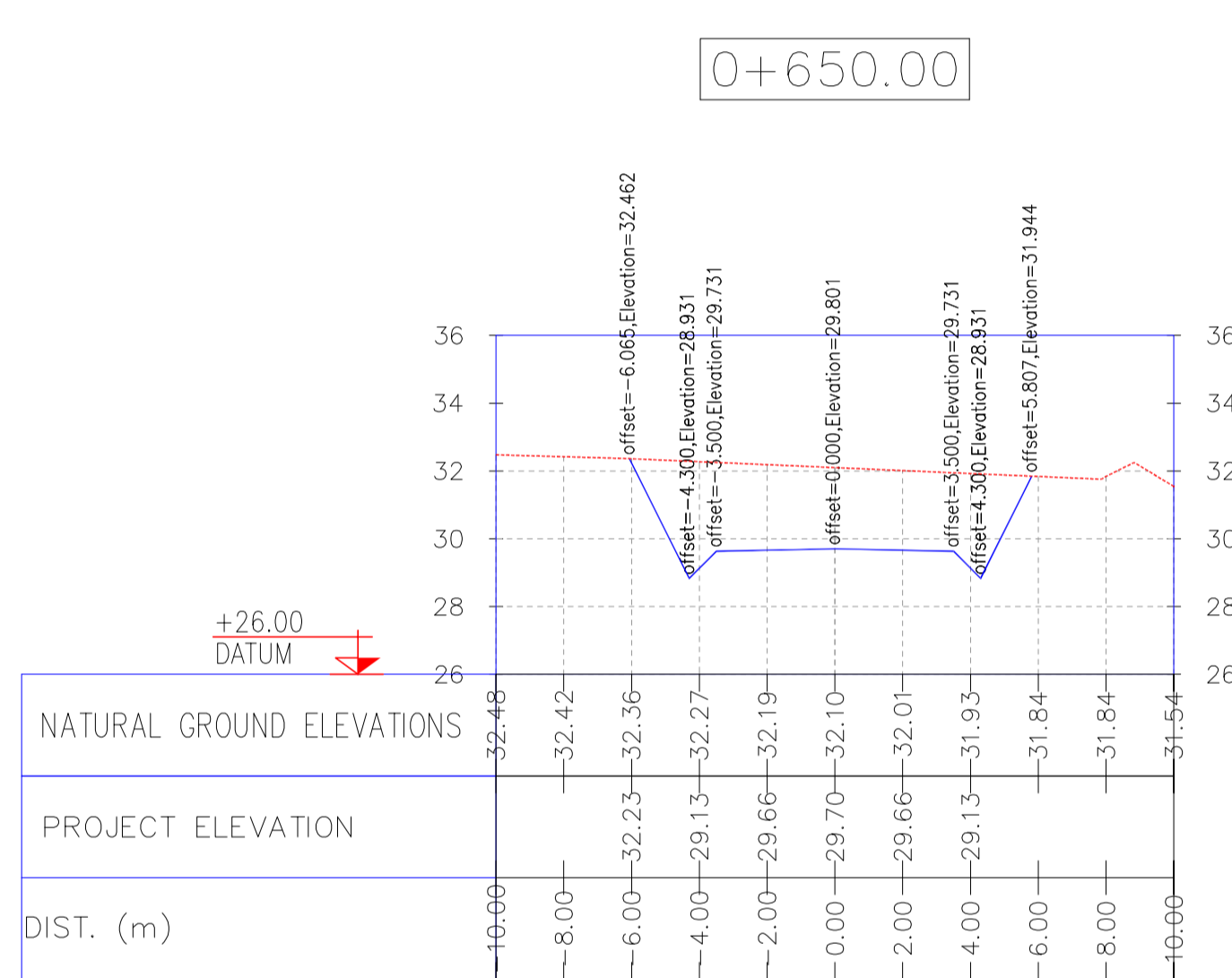
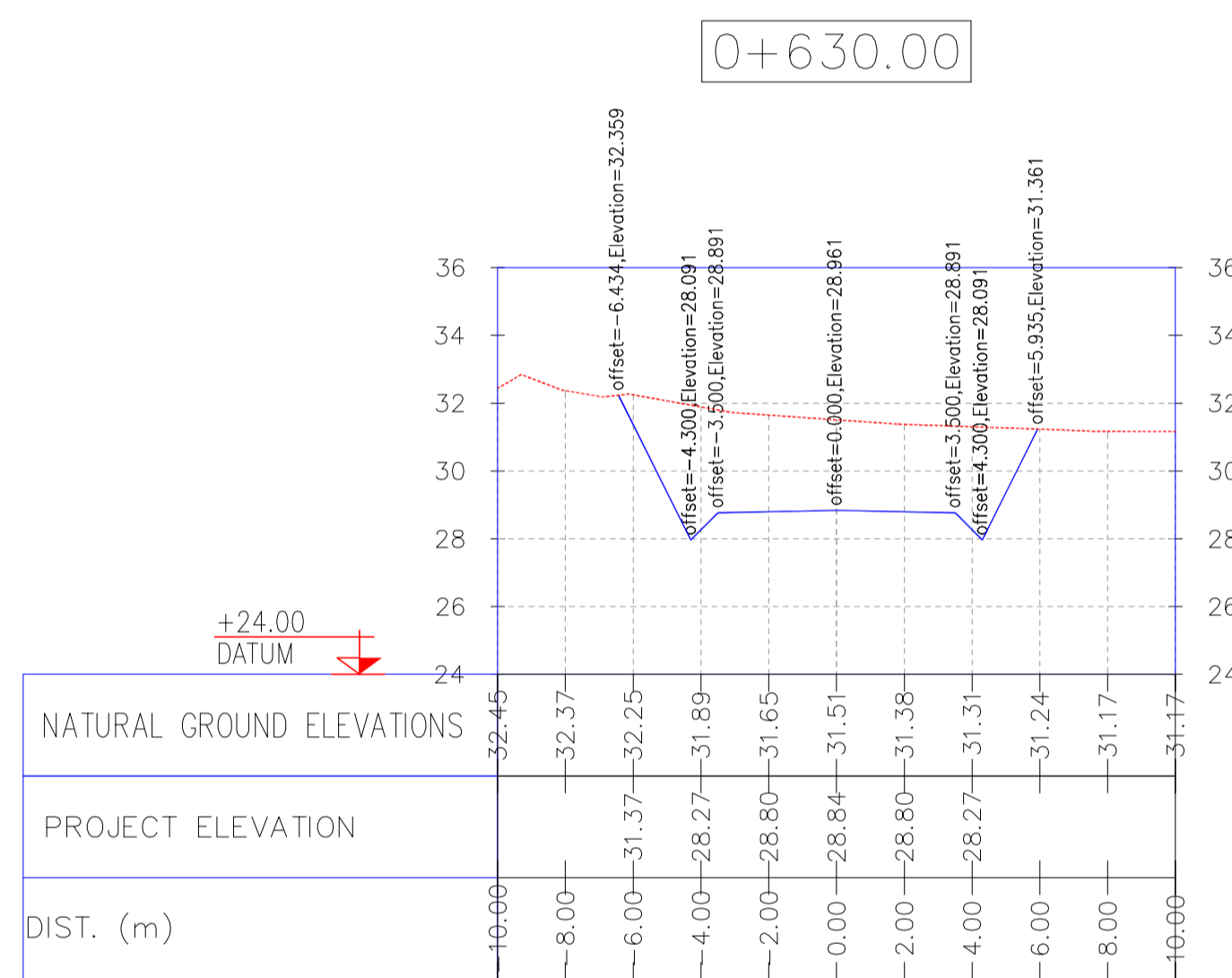
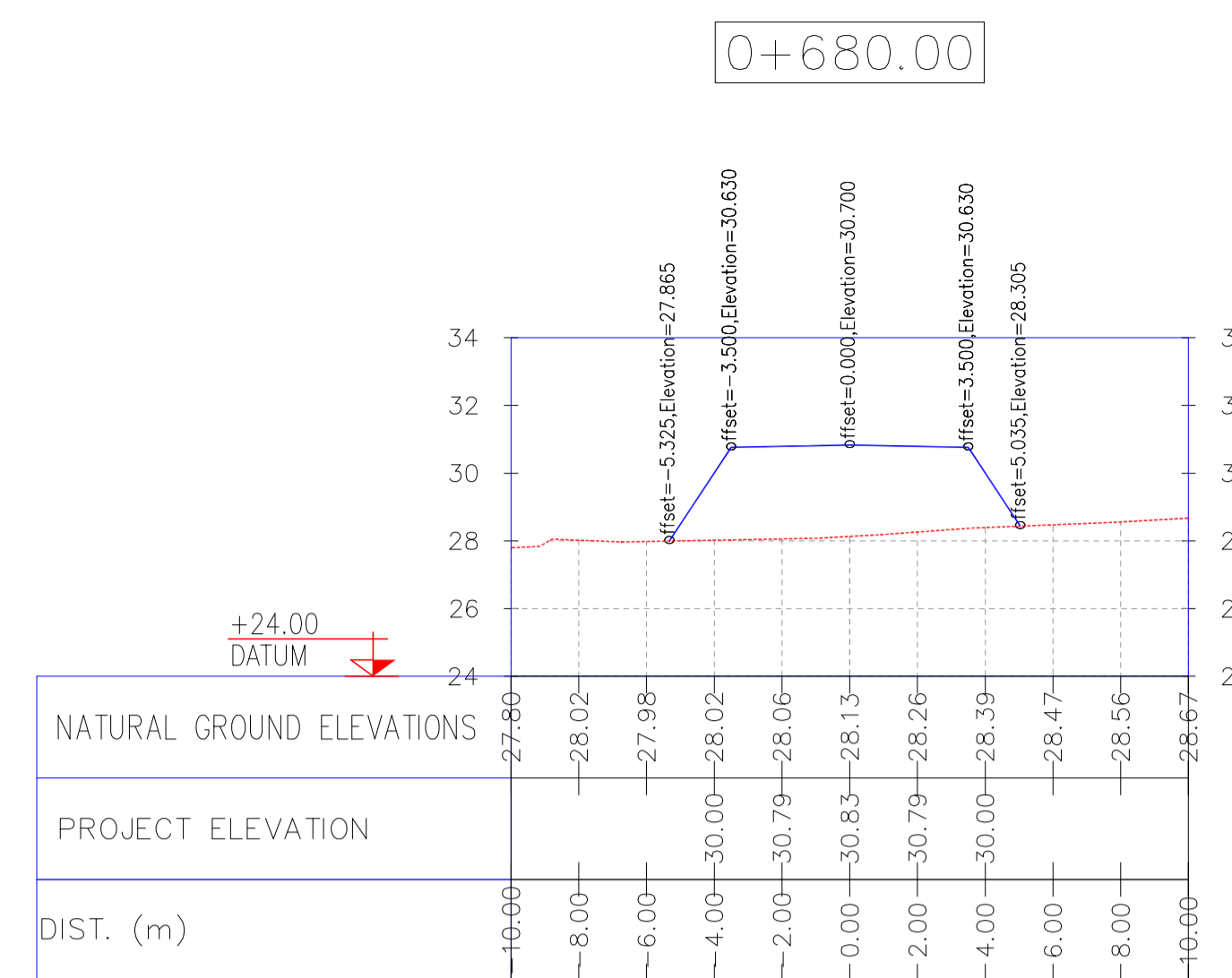
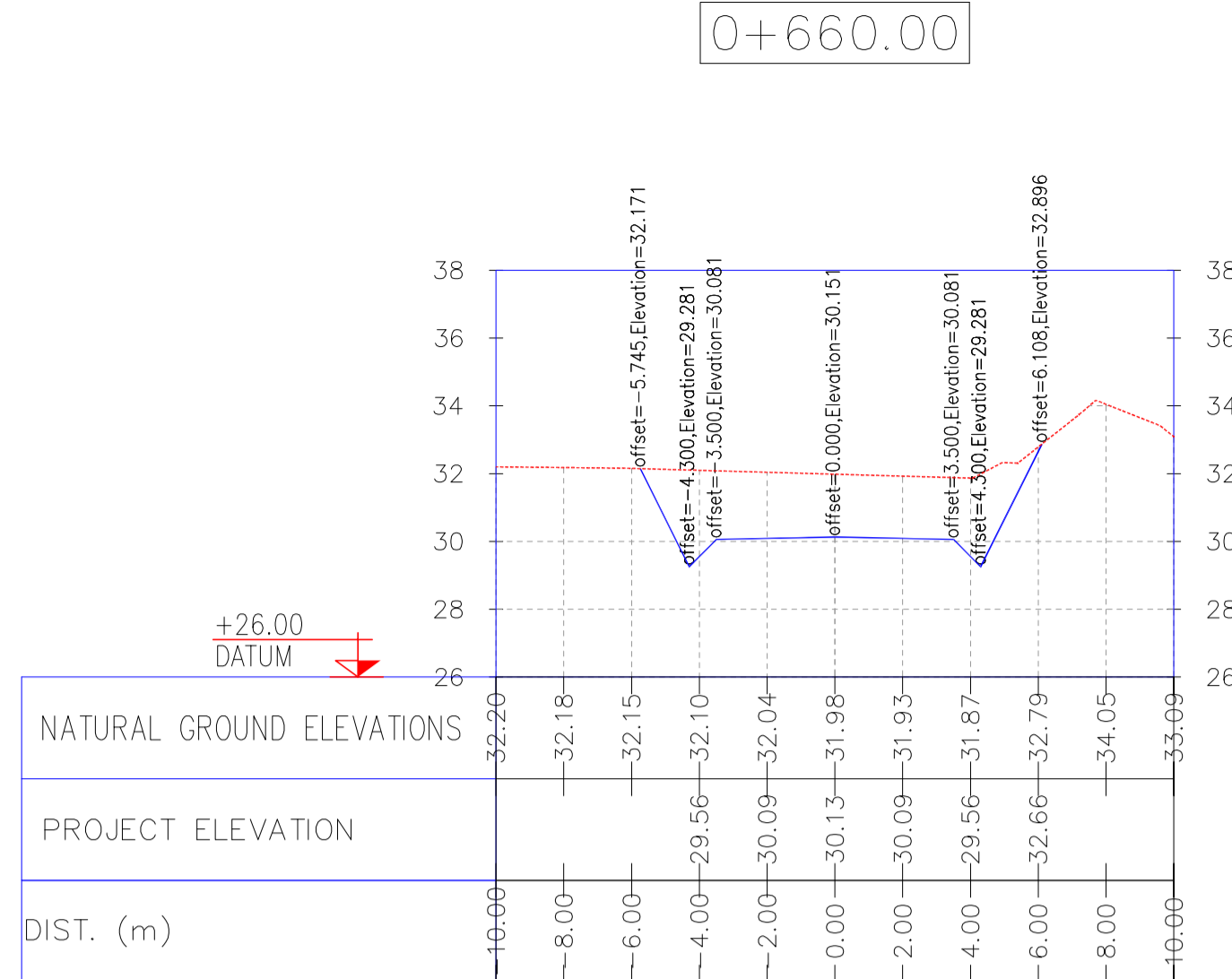
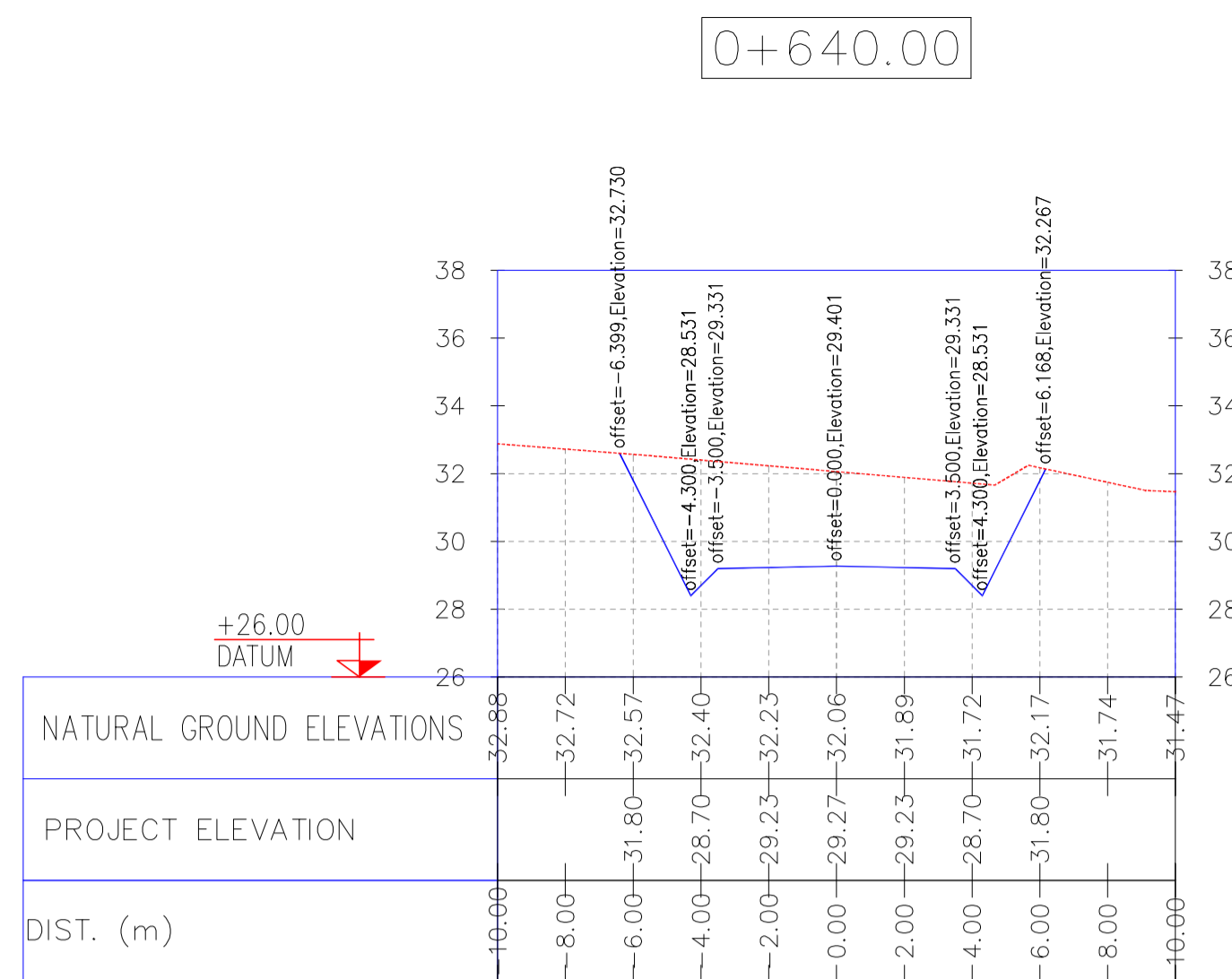
THE ORIGINAL AND ALL COPIES OF THIS DRAWING TOGETHER WITH THE COPYRIGHT THEREIN ARE THE SOLE PROPERTY OF N.I.S.O.C./ FIELDS

DATE	SCALE	DRAWING BY	CHECKED BY	PROJECT ENG.

NO CONSTRUCTION PERMITTED UNLESS DRAWING APPROVED

APPROVED FOR CONSTRUCTION	BY:	DATE:

BUDGET REF.	LOCATION	SIZE	CLASS	SERIAL NO.	SHEET	REVISION
053-073-9184	F	4	S	707548	34	D05



NOTES

- 1- ALL COORDINATES AND ELEVATIONS ARE IN METER.
- 2- ALL DRAWINGS SHALL BE CHECKED BY CONTRACTOR WITH RELATIVE DRAWINGS BEFORE CONSTRUCTION.
- 3- GEODETIC PARAMETERS FOR COORDINATES ARE AS BELOW:
 HORIZONTAL COORDINATE SYSTEM: WGS84/UTM ZONE 39
 ELLIPSOID : WORLD GEOIDETIC SYSTEM 1984 (WGS84)
 MAP PROJECTION: UNIVERSAL TRANSVERSE MERCATOR (UTM)
 VERTICAL DATUM: MSL

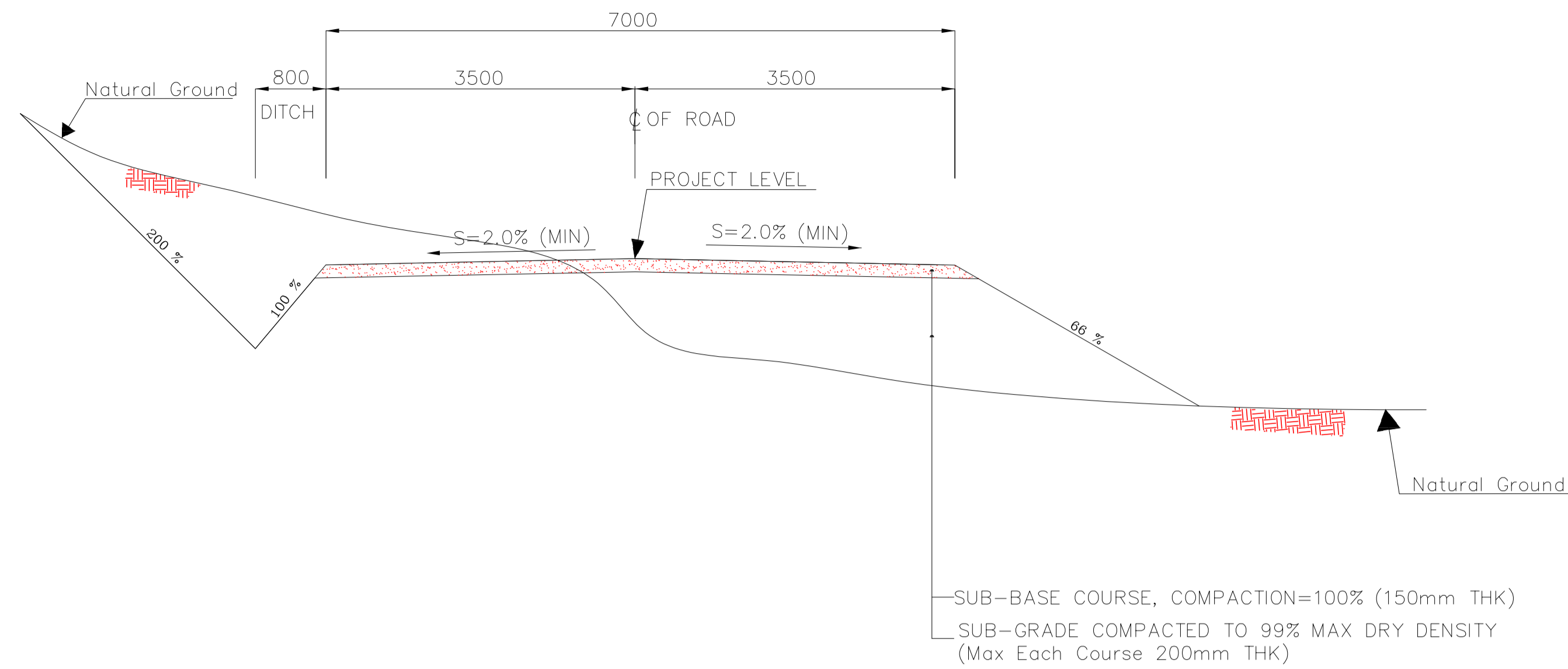
LEGEND

REFERENCE DRAWING	DRG. No.
General Civil Layout -W028	BK-W028-PEDCO-110-CV-PY-0001
Rough Grading Plans -W028	BK-W028-PEDCO-110-CV-DW-0001
Standard Drawing For Culvert & Details	BK-GNRAI-PEDCO-000-CV-DW-0014
Specification For Earth Work	BK-GNRAI-PEDCO-000-CV-SP-0004
Standard Drawing For Slope Protection Details	BK-GNRAI-PEDCO-000-CV-DW-0002

KEY PLAN

D05	JUL.2022	IPA	R. BERLOURI	M.PAKHARIAN	M.MEHRSHAD	***
D04	JUN.2022	IPA	R. BERLOURI	M.PAKHARIAN	M.MEHRSHAD	**
D03	MAY.2022	IPA	R. BERLOURI	M.PAKHARIAN	M.MEHRSHAD	**
D02	MAR.2022	IPA	R. BERLOURI	M.PAKHARIAN	M.MEHRSHAD	**
D01	NOV.2021	IPA	R. BERLOURI	M.PAKHARIAN	M.MEHRSHAD	**
D00	OCT.2021	IPC	R. BERLOURI	M.PAKHARIAN	SH.GHALKAR	**
REV.	DATE	P.O.I.S	PREP.	CHK.	APP.	AUT.
PROJECT NAME: BINAK OILFIELD DEVELOPMENT/SUB-SURFACE WORK PACKAGES W028 WELLHEAD FACILITIES						
PROJECT NO.: 971020						
EPC CONTRACTOR:			EPD/EPC CONTRACTOR(GC):			
DRAWING TITLE: CIVIL AND STRUCTURAL DRAWINGS-W028S ACCESS ROAD TRANSVERSAL SECTIONS KM 640~690M						
SCALE	SIZE	DRAWING NO.		SHEET NO.	REV.	
H=1/200 V=1/200	A1	BK-W028-PEDCO-110-CV-PY-0002		35 of 42	D05	
BUDGET REF.	LOCATION	SIZE	CLASS	SERIAL NO.	SHEET	REVISION
053-073-9184	F	4	S	707548	35	D05

اصل و کلیه نسخ این نقشه و حق اقتباس متعلق به شرکت ملی مناطق نفت خیز جنوب میباشد. 						
THE ORIGINAL AND ALL COPIES OF THIS DRAWING TOGETHER WITH THE COPYRIGHT THEREIN ARE THE SOLE PROPERTY OF N.I.S.O.C./ FIELDS						
DATE	SCALE	DRAWING BY	CHECKED BY	PROJECT ENG.		
NO CONSTRUCTION PERMITTED UNLESS DRAWING APPROVED						
APPROVED FOR CONSTRUCTION			BY:	DATE:		



N.T.S. 1 TYPICAL CROSS SECTION (Access Road)

CUT & FILL VOLUME TABLE (ACCESS ROAD)

Total Volume Table						
Station	Fill Area	Cut Area	Fill Volume	Cut Volume	Cumulative Fill Vol	Cumulative Cut Vol
0+000.000	0.22	1.11	0.00	0.00	0.00	0.00
0+010.000	0.52	0.81	3.68	9.62	3.68	9.62
0+020.000	1.62	0.55	10.67	6.81	14.35	16.43
0+030.000	1.14	0.68	13.80	6.16	28.15	22.59
0+040.000	0.92	0.56	10.33	6.19	38.48	28.78
0+050.000	0.80	0.65	8.63	6.02	47.10	34.80
0+060.000	1.17	0.52	9.84	5.83	56.94	40.63
0+070.000	0.73	0.59	9.45	5.54	66.40	46.17
0+080.000	0.20	0.80	4.65	6.95	71.05	53.13
0+090.000	0.00	2.32	1.02	15.61	72.07	68.74
0+100.000	0.00	2.46	0.00	23.92	72.07	92.66
0+110.000	0.17	2.22	0.84	23.42	72.91	116.08
0+120.000	0.08	3.00	1.22	26.11	74.13	142.19
0+130.000	0.00	3.80	0.38	34.03	74.51	176.22
0+140.000	0.00	3.31	0.00	35.58	74.51	211.81
0+145.967	0.00	2.77	0.00	18.15	74.51	229.95
0+150.000	0.00	3.08	0.00	11.66	74.51	241.61
0+152.980	0.00	2.94	0.00	8.84	74.51	250.45
0+159.993	0.00	3.12	0.00	20.85	74.51	271.30
0+160.000	0.00	3.13	0.00	0.02	74.51	271.32

Total Volume Table						
Station	Fill Area	Cut Area	Fill Volume	Cut Volume	Cumulative Fill Vol	Cumulative Cut Vol
0+170.000	0.00	4.69	0.00	39.09	74.51	310.41
0+180.000	0.00	6.22	0.00	54.57	74.51	364.98
0+190.000	13.92	0.00	69.61	31.11	144.12	396.09
0+197.457	17.27	0.00	116.30	0.00	260.42	396.09
0+200.000	9.15	0.00	32.95	0.00	293.37	396.09
0+210.000	1.06	0.69	49.83	3.76	343.20	399.84
0+220.000	0.70	1.33	8.50	10.89	351.70	410.73
0+221.113	0.54	1.50	0.66	1.69	352.36	412.43
0+230.000	0.16	2.18	2.94	17.45	355.30	429.88
0+240.000	0.41	1.44	2.70	19.29	357.99	449.17
0+244.769	0.61	0.81	2.36	5.76	360.36	454.93
0+250.000	1.83	0.00	6.39	2.11	366.74	457.04
0+260.000	7.53	0.00	46.80	0.00	413.54	457.04
0+269.911	8.71	0.00	80.48	0.00	494.03	457.04
0+270.000	8.71	0.00	0.77	0.00	494.80	457.04
0+280.000	6.89	0.00	79.06	0.00	573.86	457.04
0+290.000	1.44	1.66	42.87	7.95	616.73	464.99
0+300.000	0.00	1.84	7.62	17.03	624.35	482.02
0+310.000	3.18	0.00	16.17	9.07	640.52	491.10
0+310.026	3.19	0.00	0.08	0.00	640.60	491.10

Total Volume Table						
Station	Fill Area	Cut Area	Fill Volume	Cut Volume	Cumulative Fill Vol	Cumulative Cut Vol
0+320.000	2.31	0.00	27.58	0.00	668.18	491.10
0+330.000	2.12	0.67	21.58	3.62	689.76	494.72
0+340.000	20.98	0.00	116.83	3.62	806.59	498.34
0+350.000	16.29	0.00	187.50	0.00	994.09	498.34
0+350.140	15.87	0.00	2.25	0.00	996.34	498.34
0+360.000	2.24	7.01	89.24	34.55	1085.59	532.90
0+370.000	1.47	1.30	18.52	41.56	1104.10	574.46
0+380.000	0.09	3.63	7.77	24.65	1111.87	599.11
0+390.000	0.00	10.00	0.43	68.11	1112.31	667.22
0+400.000	0.00	14.87	0.00	124.34	1112.31	791.56
0+410.000	0.00	20.52	0.00	176.94	1112.31	968.50
0+413.789	0.00	24.15	0.00	84.60	1112.31	1053.10
0+420.000	0.00	29.88	0.00	168.38	1112.31	1221.48
0+430.000	0.00	40.89	0.00	354.75	1112.31	1576.23
0+440.000	0.00	63.25	0.00	518.21	1112.31	2094.43
0+445.194	0.00	66.19	0.00	333.65	1112.31	2428.08
0+450.000	0.00	58.97	0.00	299.14	1112.31	2727.22
0+460.000	0.00	48.10	0.00	532.89	1112.31	3260.11
0+470.000	0.00	41.40	0.00	443.97	1112.31	3704.08
0+476.600	0.00	20.07	0.00	200.88	1112.31	3904.97

Total Volume Table						
Station	Fill Area	Cut Area	Fill Volume	Cut Volume	Cumulative Fill Vol	Cumulative Cut Vol
0+480.000	0.00	22.76	0.00	72.80	1112.31	3977.76
0+490.000	0.29	3.45	1.47	131.03	1113.78	4108.79
0+500.000	7.15	0.00	37.23	17.23	1151.00	4126.02
0+510.000	10.30	0.00	87.26	0.00	1238.26	4126.02
0+520.000	14.93	0.00	126.14	0.00	1364.40	4126.02
0+530.000	15.35	0.00	151.40	0.00	1515.80	4126.02
0+540.000	15.10	0.00	152.28	0.00	1668.08	4126.02
0+550.000	13.84	0.00	144.72	0.00	1812.80	4126.02
0+560.000	10.63	0.00	122.35	0.00	1935.15	4126.02
0+570.000	15.51	0.00	130.70	0.00	2065.85	4126.02
0+579.319	13.96	1.53	137.36	7.15	2203.21	4133.17
0+580.000	13.35	1.83	9.29	1.15	2212.50	4134.32
0+590.000	1.55	15.51	75.05	85.41	2287.55	4219.73
0+595.350	0.00	24.55	4.21	105.99	2291.75	4325.71
0+600.000	0.00	23.95	0.00	111.86	2291.75	4437.57
0+610.000	0.00	34.22	0.00	289.60	2291.75	4727.17
0+611.380	0.00	32.92	0.00	46.32	2291.75	4773.50
0+620.000	0.00	32.29	0.00	281.04	2291.75	5054.54
0+630.000	0.00	31.21	0.00	317.49	2291.75	5372.03
0+640.000	0.00	32.38	0.00	317.95	2291.75	5689.98

Total Volume Table						
Station	Fill Area	Cut Area	Fill Volume	Cut Volume	Cumulative Fill Vol	Cumulative Cut Vol
0+650.000	0.00	26.97	0.00	296.77	2291.75	5986.75
0+660.000	0.00	21.39	0.00	241.80	2291.75	6228.55
0+670.000	2.24	0.70	10.83	110.71	2302.59	6339.27
0+680.000	22.80	0.00	125.39	4.21	2427.98	6343.48
0+690.000	34.59	0.00	289.87	0.00	2717.85	6343.48

REV.	DATE	P.O.I.S	PREP.	CHK.	APP.	AUT.
D05	JUL.2022	IFA	R. BERLOURI	M.PAKHARIAN	M.MEHRSHAD	***
D04	JUN.2022	IFA	R. BERLOURI	M.PAKHARIAN	M.MEHRSHAD	***
D03	MAY.2022	IFA	R. BERLOURI	M.PAKHARIAN	M.MEHRSHAD	***
D02	MAR.2022	IFA	R. BERLOURI	M.PAKHARIAN	M.MEHRSHAD	***
D01	NOV.2021	IFA	R. BERLOURI	M.PAKHARIAN	M.MEHRSHAD	***
D00	OCT.2021	IFC	R. BERLOURI	M.PAKHARIAN	SH.GHALIKAR	***

REV.	DATE	DESCRIPTION	BY	DATE	BY	DATE
***	*****	***	*****	***	*****	***
NO CONSTRUCTION PERMITTED UNLESS DRAWING APPROVED						
APPROVED FOR CONSTRUCTION						
BUDGET REF.	LOCATION	SIZE	CLASS	SERIAL NO.	SHEET	REVISION
AS SHOWN	A1	BK-W028-PEDCO-110-CV-PY-0002	36 of 42	D05	053-073-9184	F 4 S 707548 36 D05

NOTES

- ALL COORDINATES AND ELEVATIONS ARE IN METER.
- ALL DRAWINGS SHALL BE CHECKED BY CONTRACTOR WITH RELATIVE DRAWINGS BEFORE CONSTRUCTION.
- GEODETIC PARAMETERS FOR COORDINATES ARE AS BELOW:
 HORIZONTAL COORDINATE SYSTEM: WGS84/UTM ZONE 39
 ELLIPSOID: WORLD GEODETIC SYSTEM 1984 (WGS84)
 MAP PROJECTION: UNIVERSAL TRANSVERSE MERCATOR (UTM)
 VERTICAL DATUM: MSL

LEGEND

REFERENCE DRAWING

General Civil Layout -W028	DRG. No.
General Civil Layout -W028	BK-W028-PEDCO-110-CV-PY-0001
Rough Grading Plans -W028	BK-W028-PEDCO-110-CV-DW-0001
Standard Drawing For Culvert & Details	BK-GNRAI-PEDCO-000-CV-DW-0014
Specification For Earth Work	BK-GNRAI-PEDCO-000-CV-SP-0004
Standard Drawing For Slope Protection Details	BK-GNRAI-PEDCO-000-CV-DW-0002

KEY PLAN

اھل و کله نسخ این نقشه و حق اقتباس متعلق به شرکت ملی مناطق نفت خیز جنوب میباشد.

THE ORIGINAL AND ALL COPIES OF THIS DRAWING TOGETHER WITH THE COPYRIGHT THEREIN ARE THE SOLE PROPERTY OF N.I.S.O.C./ FIELDS

BINAK OILFIELD DEVELOPMENT SUB-SURFACE WORK PACKAGES W028 WELLHEAD FACILITIES

IRGAN ENERGY - DESIGN & INSPECTION COMPANIES

PETROIRAN DEVELOPMENT COMPANY

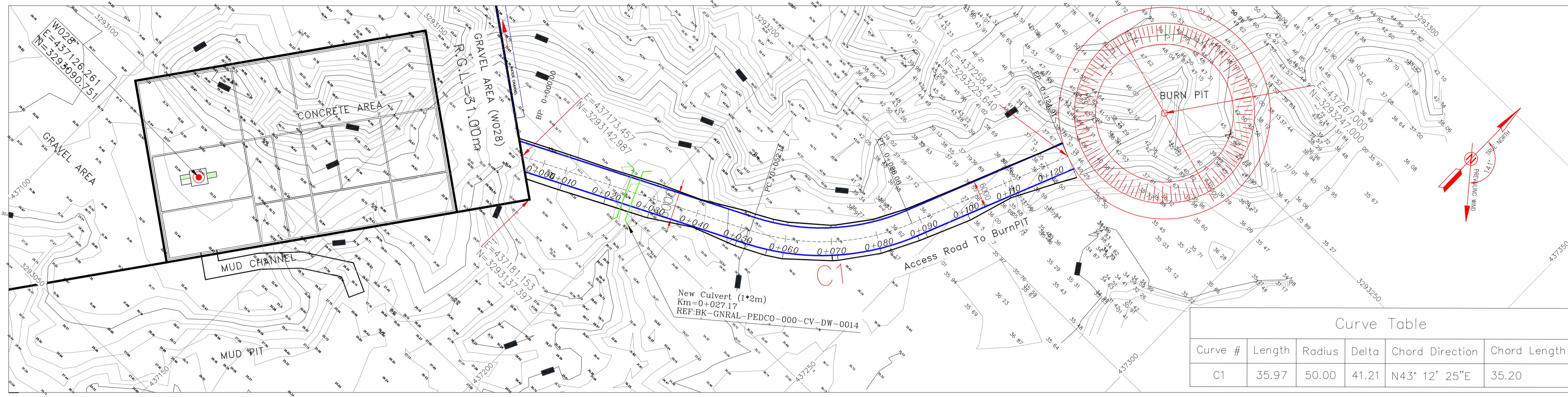
DATE | **SCALE** | **DRAWING BY** | **CHECKED BY** | **PROJECT ENG.**

DRAWING TITLE: CIVIL AND STRUCTURAL DRAWINGS-W028S
TYPICAL CUT&FILL CROSS SEC.(BURN PIT ROAD)& VOLUME TABEL

NO CONSTRUCTION PERMITTED UNLESS DRAWING APPROVED

APPROVED FOR CONSTRUCTION | **BY:** | **DATE:**





NOTES

- 1- ALL COORDINATES AND ELEVATIONS ARE IN METER.
- 2- ALL DRAWINGS SHALL BE CHECKED BY CONTRACTOR WITH RELATIVE DRAWINGS BEFORE CONSTRUCTION.
- 3- GEODETIC PARAMETERS FOR COORDINATES ARE AS BELOW:
 HORIZONTAL COORDINATE SYSTEM: WGS84/UTM ZONE 39
 ELLIPSOID : WORLD GEODETIC SYSTEM 1984 (WGS84)
 MAP PROJECTION: UNIVERSAL TRANSVERSE MERCATOR (UTM)
 VERTICAL DATUM: MSL
- 4- THE SUITABLE MATERIAL FOR FILLING SHALL BE COLLECTED BASED ON TO THE BELOW RULES:
 - PROJECT GEOTECHNICAL INVESTIGATION REPORT, BORROW MATERIALS AND SPECIFICATION STUDY PART.
 - "GENERAL SPECIFICATION FOR ROAD" NO. 101, SECTION 207, IRAN PLANNING AND BUDGET ORGANIZATION.
 - PROJECT GENERAL SPECIFICATION "SPECIFICATION FOR EARTH WORK" DOCUMENT NUMBER "BK-GNRL-PEDCO-000-CV-SP-0004".
 - GEOTECHNICAL REPORTS AND CLIENT'S SITE SUPERVISORY BODY RECOMMENDATIONS AND APPROVALS.
- 5- BEFORE ANY EARTH WORK ACTIVITIES (CUT OR FILL), TOP SOIL SHALL BE REMOVED AS GEOTECHNICAL RECOMMENDATION

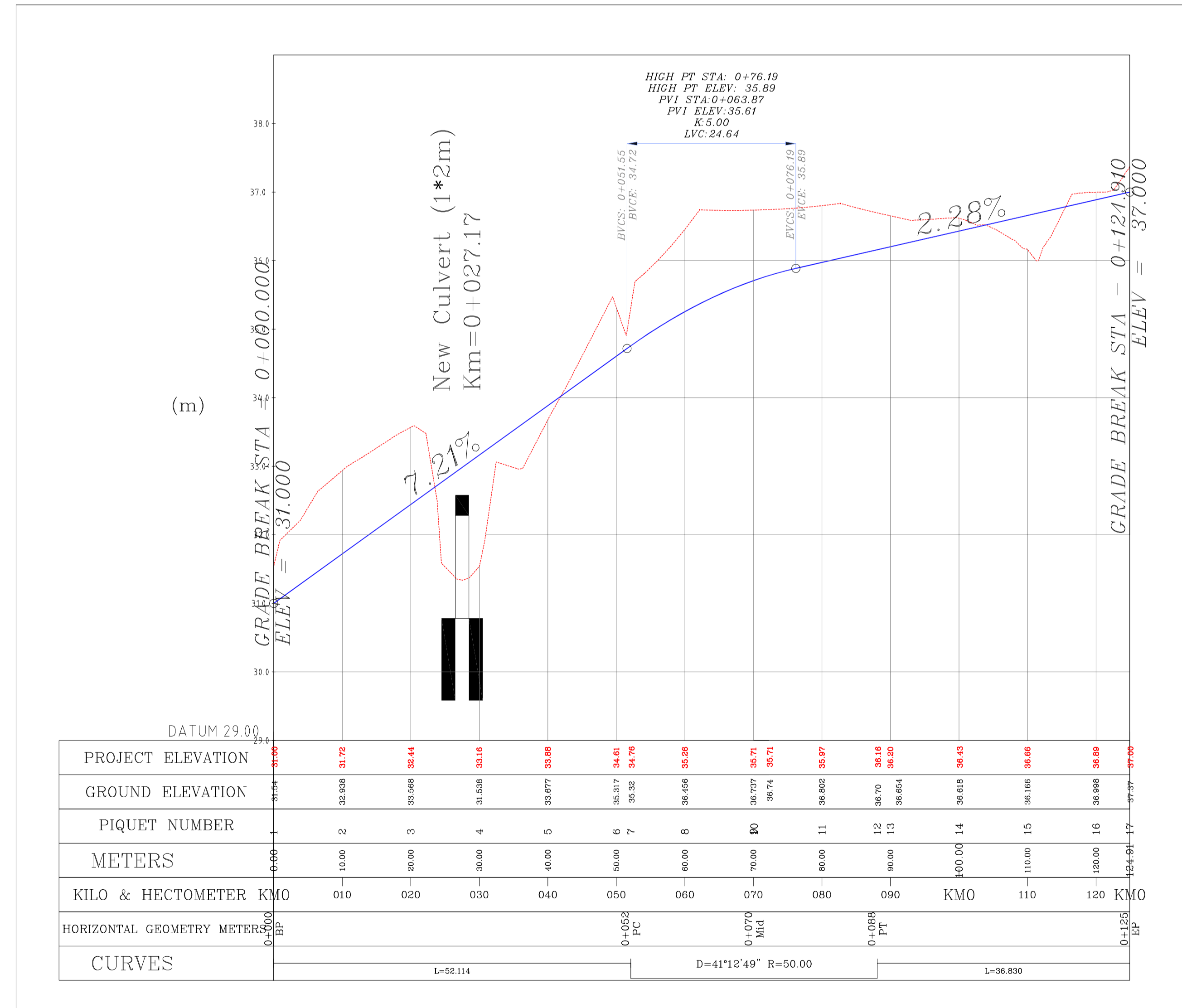
Curve #	Length	Radius	Delta	Chord Direction	Chord Length
C1	35.97	50.00	41.21	N43° 12' 25"E	35.20

LEGEND

	WELL LOCATION		CANAL
	WELL		RIVER
	SITE		WATER COURSE
	CAMP SITE		CONTOURS
	ASPHALT ROAD		SPOT HEIGHT
	GRAVEL ROAD		BENCH MARK
	PROPOSED ROAD		BRIDGE
	DAYLIGHT		CULVERT

H: 1/500
V: 1/50
BURN PIT ROAD PLAN

Coordinate List		
Station	Northing	Easting
0+000.00	3293142.99	437173.46
0+010.00	3293147.40	437182.43
0+020.00	3293151.81	437191.40
0+030.00	3293156.23	437200.38
0+040.00	3293160.64	437209.35
0+050.00	3293165.05	437218.32
0+060.00	3293170.01	437227.00
0+070.00	3293176.55	437234.54
0+080.00	3293184.46	437240.63
0+090.00	3293193.41	437245.06
0+100.00	3293202.64	437248.90
0+110.00	3293211.87	437252.74
0+120.00	3293221.11	437256.58
0+124.91	3293225.64	437258.47



PROJECT ELEVATION	GROUND ELEVATION	PIQUET NUMBER	METERS	KILO & HECTOMETER KMO	HORIZONTAL GEOMETRY METERS	CURVES
31.00	31.72	2	10.00	010	0.052	L=52.114
32.44	32.08	3	20.00	020	0.070	D=41°12'49" R=50.00
33.16	31.56	4	30.00	030	0.086	L=36.830
33.86	31.08	5	40.00	040		
34.61	30.64	6	50.00	050		
34.76	30.28	7	60.00	060		
35.80	30.01	8	70.00	070		
36.71	29.82	9	80.00	080		
36.97	29.70	10	90.00	090		
36.16	29.65	11	100.00	100		
36.80	29.61	12	110.00	110		
36.89	29.59	13	120.00	120		
37.99	29.59	14	130.00	130		
37.99	29.59	15	140.00	140		
37.99	29.59	16	150.00	150		
37.99	29.59	17	160.00	160		

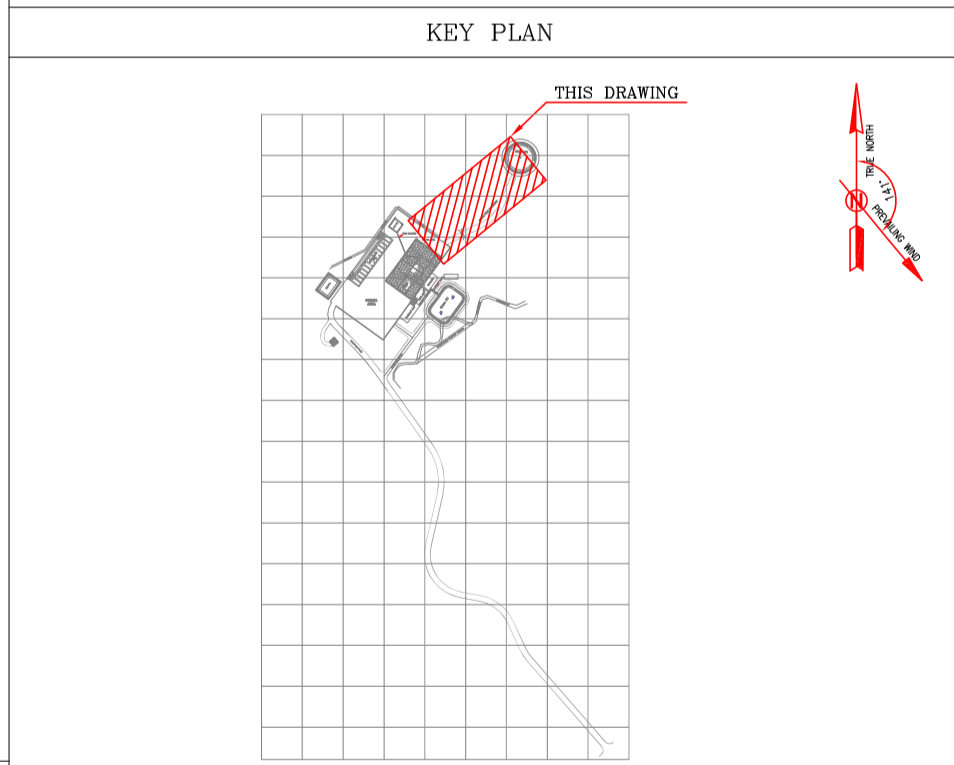
H: 1/500
V: 1/50
BURN PIT ROAD PROFILE

BENCH MARK LIST			
NAME	Easting(m)	Northing(m)	Elevation(m)
BM12	437294.141	3292567.901	35.395
BM14	437204.521	3292998.852	38.676
BM16	436964.749	3293160.118	37.566

REFERENCE DRAWING	DRG. No.
General Civil Layout -W028	BK-W028-PEDCO-110-CV-PY-0001
Rough Grading Plans -W028	BK-W028-PEDCO-110-CV-DW-0001
Standard Drawing For Culvert & Details	BK-GNRL-PEDCO-000-CV-DW-0014
Specification For Earth Work	BK-GNRL-PEDCO-000-CV-SP-0004
Standard Drawing For Slope Protection Details	BK-GNRL-PEDCO-000-CV-DW-0002
Specification For Road & Paving	BK-GNRL-PEDCO-000-CV-SP-0002

ABBREVIATION

PT= POINT
 PVI= POINT OF VERTICAL INTERSECTION
 LVC= LENGTH OF VERTICAL CURVE
 BVCS= BEGIN OF VERTICAL CURVE STATION
 BVCE= BEGIN OF VERTICAL CURVE ELEVATION
 EVCS= END OF VERTICAL CURVE STATION
 EVCE= END OF VERTICAL CURVE ELEVATION



REV.	DATE	DESCRIPTION	BY	DATE	BY	DATE
D05	JUL.2022	IFA	R. BERLOURI	M.PAKHARIAN	M.MEHRSHAD	***
D04	JUN.2022	IFA	R. BERLOURI	M.PAKHARIAN	M.MEHRSHAD	***
D03	MAY.2022	IFA	R. BERLOURI	M.PAKHARIAN	M.MEHRSHAD	***
D02	MAR.2022	IFA	R. BERLOURI	M.PAKHARIAN	M.MEHRSHAD	***
D01	NOV.2021	IFA	R. BERLOURI	M.PAKHARIAN	M.MEHRSHAD	***
D00	OCT.2021	IPC	R. BERLOURI	M.PAKHARIAN	SH.GHALKAR	***

اصل و کليه نسخ اين نقشه و حق اقتباس متعلق به شرکت ملی مناطق نفت خيز جنوب ميباشد.
 THE ORIGINAL AND ALL COPIES OF THIS DRAWING TOGETHER WITH THE COPYRIGHT THEREIN ARE THE SOLE PROPERTY OF N.I.S.O.C./ FIELDS

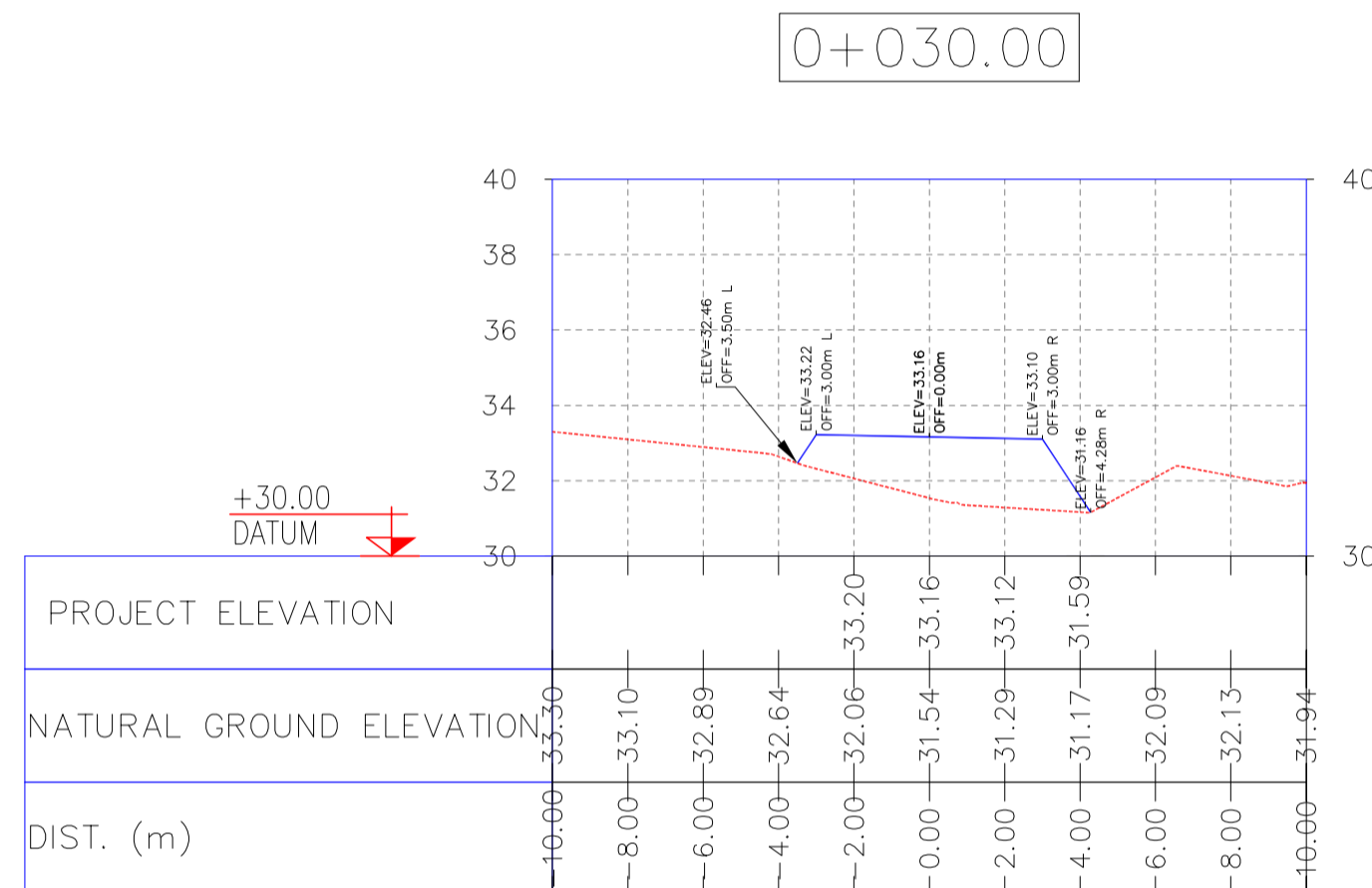
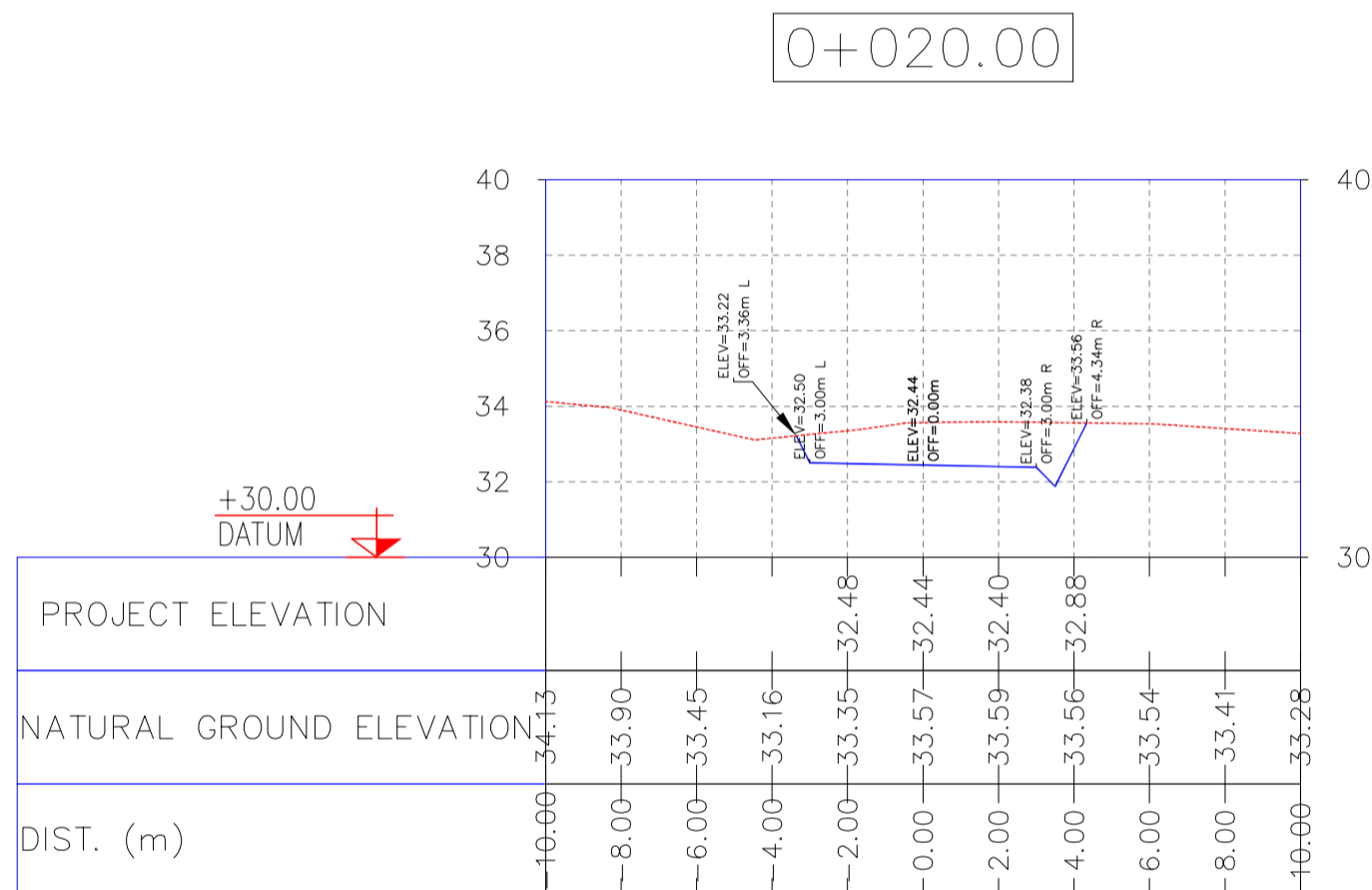
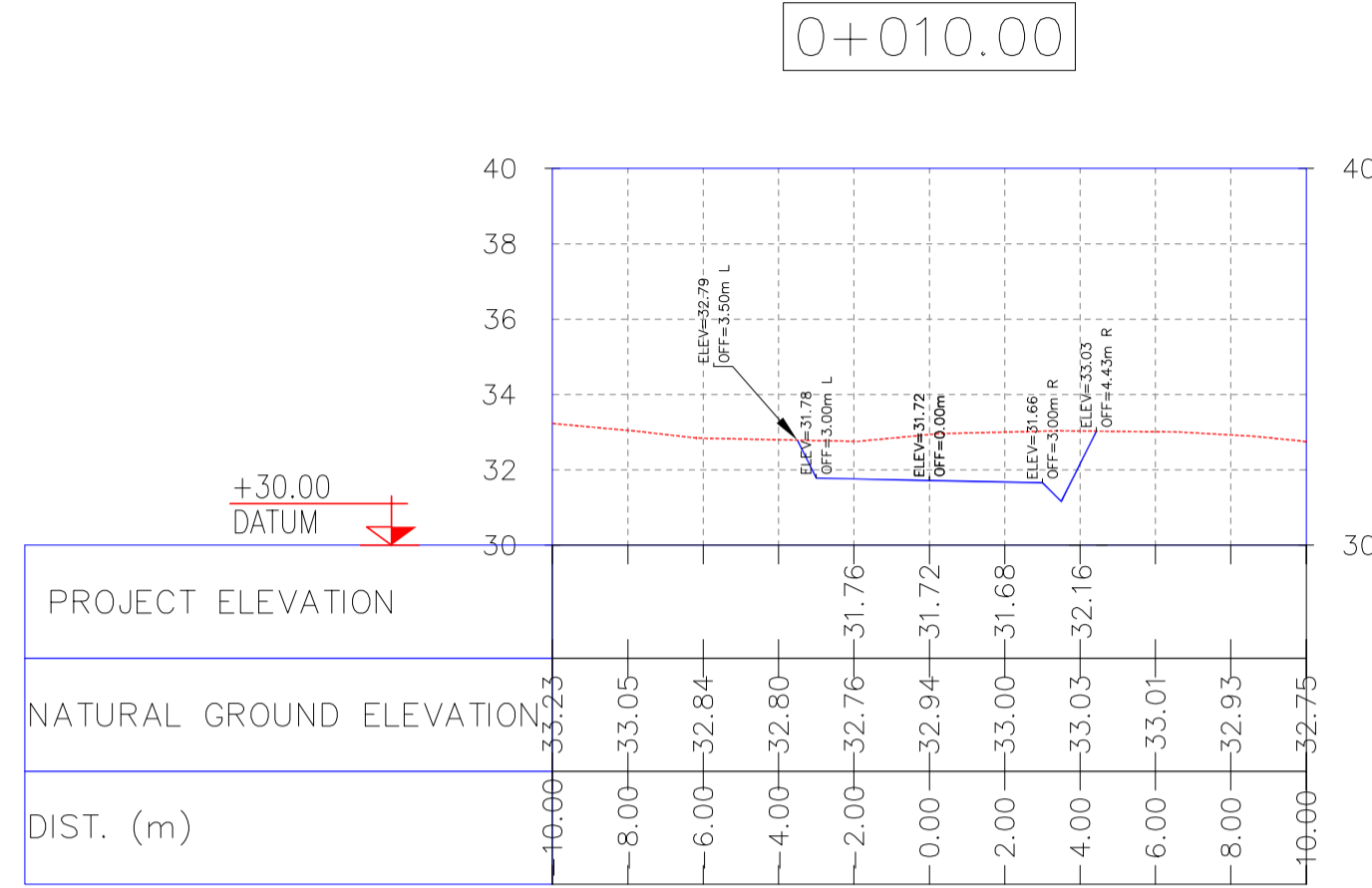
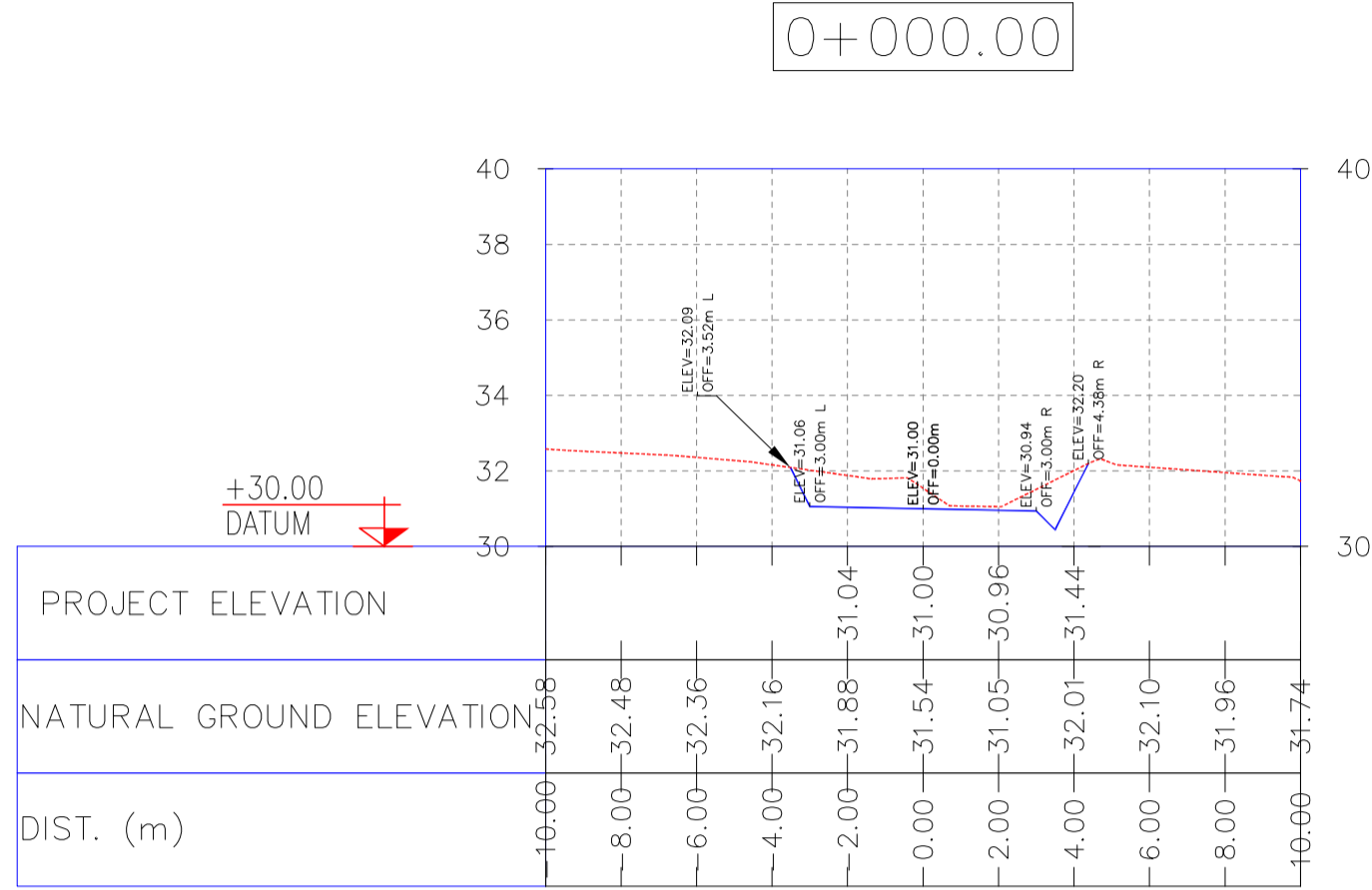
PROJECT NAME: BINAK OILFIELD DEVELOPMENT/SUB-SURFACE WORK PACKAGES W028 WELLHEAD FACILITIES

PROJECT NO.: 971020

EPC CONTRACTOR: **HIRGAN ENERGY** - DESIGN & INSPECTION COMPANIES

EPD/EPC CONTRACTOR(GC): **PETROIRAN DEVELOPMENT COMPANY**

DRAWING TITLE:		NO CONSTRUCTION PERMITTED UNLESS DRAWING APPROVED	
CIVIL AND STRUCTURAL DRAWINGS-W028S BURN PIT ROAD PLAN AND PROFILE SECTION		APPROVED FOR CONSTRUCTION	BY:
SCALE	SIZE	LOCATION	DATE:
AS SHOWN	A1	BK-W028-PEDCO-110-CV-PY-0002	REV. SHEET NO. SHEET REVISION
		37 of 42	D05
		053-073-9184	



NOTES

- 1- ALL COORDINATES AND ELEVATIONS ARE IN METER.
- 2- ALL DRAWINGS SHALL BE CHECKED BY CONTRACTOR WITH RELATIVE DRAWINGS BEFORE CONSTRUCTION.
- 3- GEODETIC PARAMETERS FOR COORDINATES ARE AS BELOW:
 HORIZONTAL COORDINATE SYSTEM: WGS84/UTM ZONE 39
 ELLIPSOID : WORLD GEODETTIC SYSTEM 1984 (WGS84)
 MAP PROJECTION: UNIVERSAL TRANSVERSE MERCATOR (UTM)
 VERTICAL DATUM: MSL

LEGEND

REFERENCE DRAWING	DRG. No.
General Civil Layout -W028	BK-W028-PEDCO-110-CV-PY-0001
Rough Grading Plans -W028	BK-W028-PEDCO-110-CV-DW-0001
Standard Drawing For Culvert & Details	BK-GNRAI-PEDCO-000-CV-DW-0014
Specification For Earth Work	BK-GNRAI-PEDCO-000-CV-SP-0004
Standard Drawing For Slope Protection Details	BK-GNRAI-PEDCO-000-CV-DW-0002

KEY PLAN

D05	JUL.2022	IPA	R. BERLOURI	M.PAKHARIAN	M.MEHRSHAD	***
D04	JUN.2022	IPA	R. BERLOURI	M.PAKHARIAN	M.MEHRSHAD	**
D03	MAY.2022	IPA	R. BERLOURI	M.PAKHARIAN	M.MEHRSHAD	**
D02	MAR.2022	IPA	R. BERLOURI	M.PAKHARIAN	M.MEHRSHAD	**
D01	NOV.2021	IPA	R. BERLOURI	M.PAKHARIAN	M.MEHRSHAD	**
D00	OCT.2021	IPC	R. BERLOURI	M.PAKHARIAN	SH.GHALIKAR	**
REV.	DATE	P.O.I.S	PREP.	CHK.	APP.	AUT.

اسم و کلیه نسخ این نقشه و حق اقتباس متعلق به شرکت ملی مناطق نفت خیز جنوب میباشد.

THE ORIGINAL AND ALL COPIES OF THIS DRAWING TOGETHER WITH THE COPYRIGHT THEREIN ARE THE SOLE PROPERTY OF N.I.S.O.C./ FIELDS

DATE	SCALE	DRAWING BY	CHECKED BY	PROJECT ENG.

NO CONSTRUCTION PERMITTED UNLESS DRAWING APPROVED

APPROVED FOR CONSTRUCTION	BY:	DATE:

SCALE	SIZE	DRAWING NO.	SHEET NO.	REV.	BUDGET REF.	LOCATION	SIZE	CLASS	SERIAL NO.	SHEET	REVISION
H=1/200 V=1/200	A1	BK-W028-PEDCO-110-CV-PY-0002	38 of 42	D05	053-073-9184	F	4	S	707548	38	D05

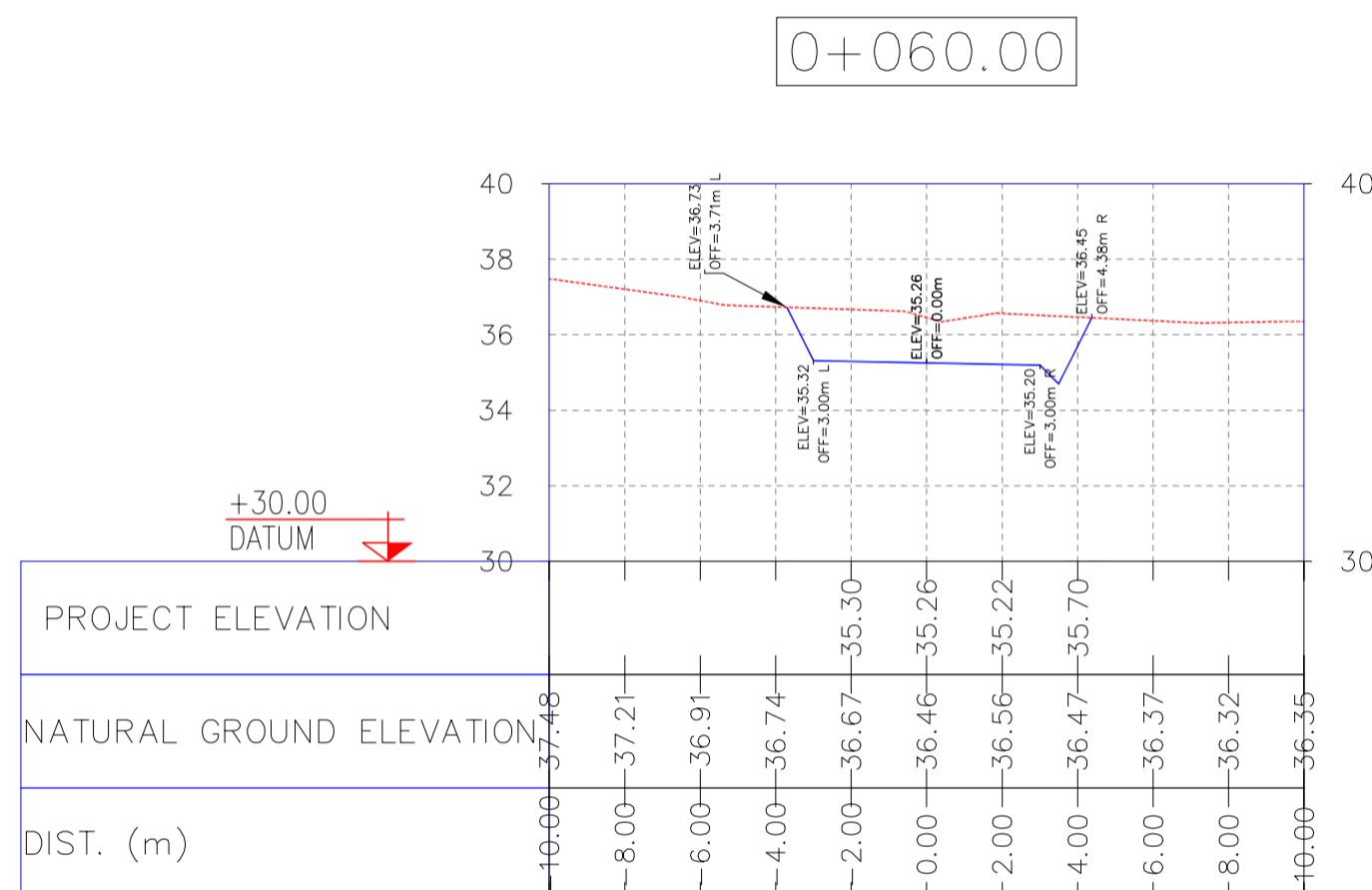
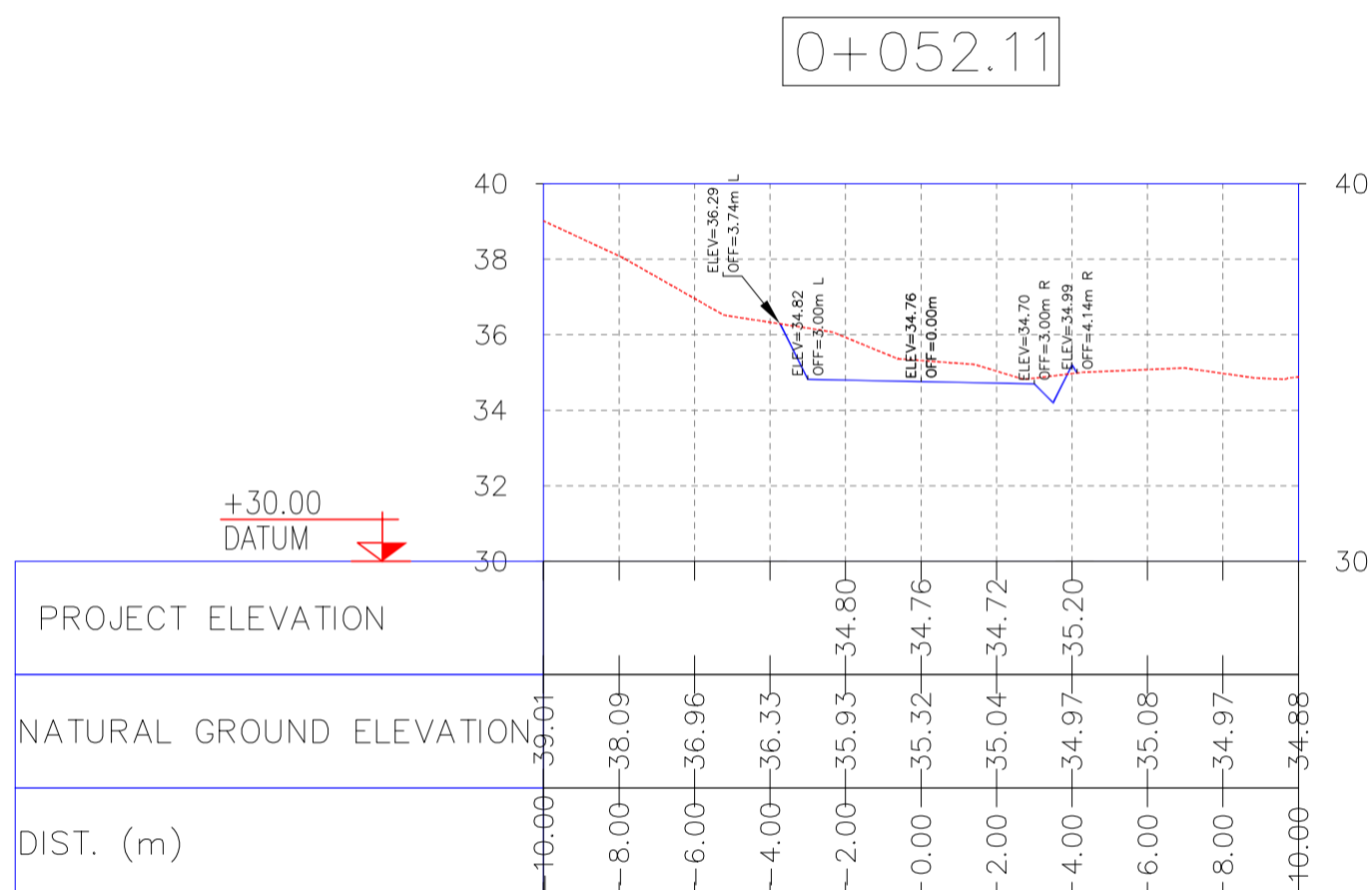
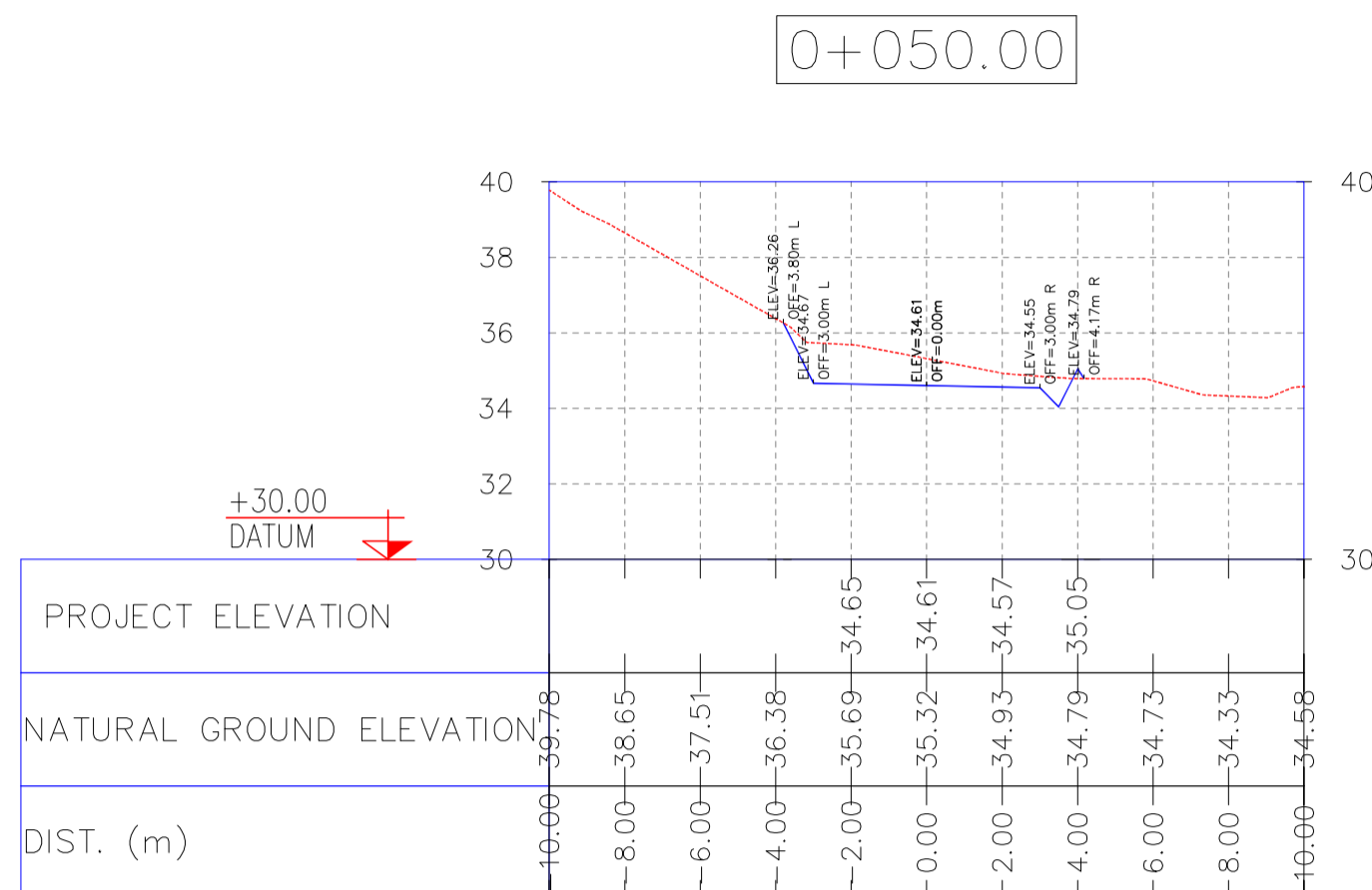
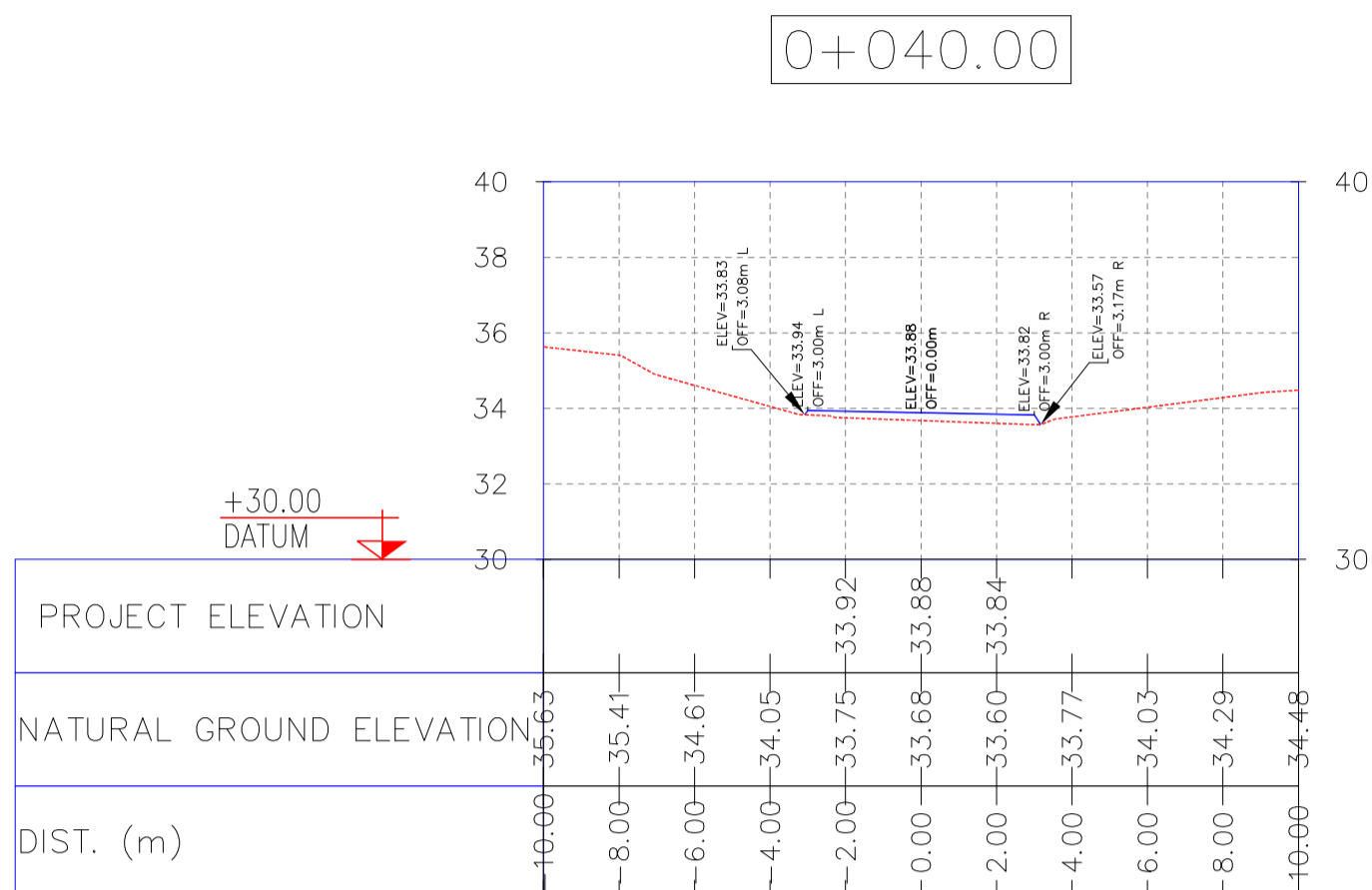
NOTES

- 1- ALL COORDINATES AND ELEVATIONS ARE IN METER.
- 2- ALL DRAWINGS SHALL BE CHECKED BY CONTRACTOR WITH RELATIVE DRAWINGS BEFORE CONSTRUCTION.
- 3- GEODETIC PARAMETERS FOR COORDINATES ARE AS BELOW:
 HORIZONTAL COORDINATE SYSTEM: WGS84/UTM ZONE 39
 ELLIPSOID : WORLD GEODEIC SYSTEM 1984 (WGS84)
 MAP PROJECTION: UNIVERSAL TRANSVERSE MERCATOR (UTM)
 VERTICAL DATUM: MSL

LEGEND

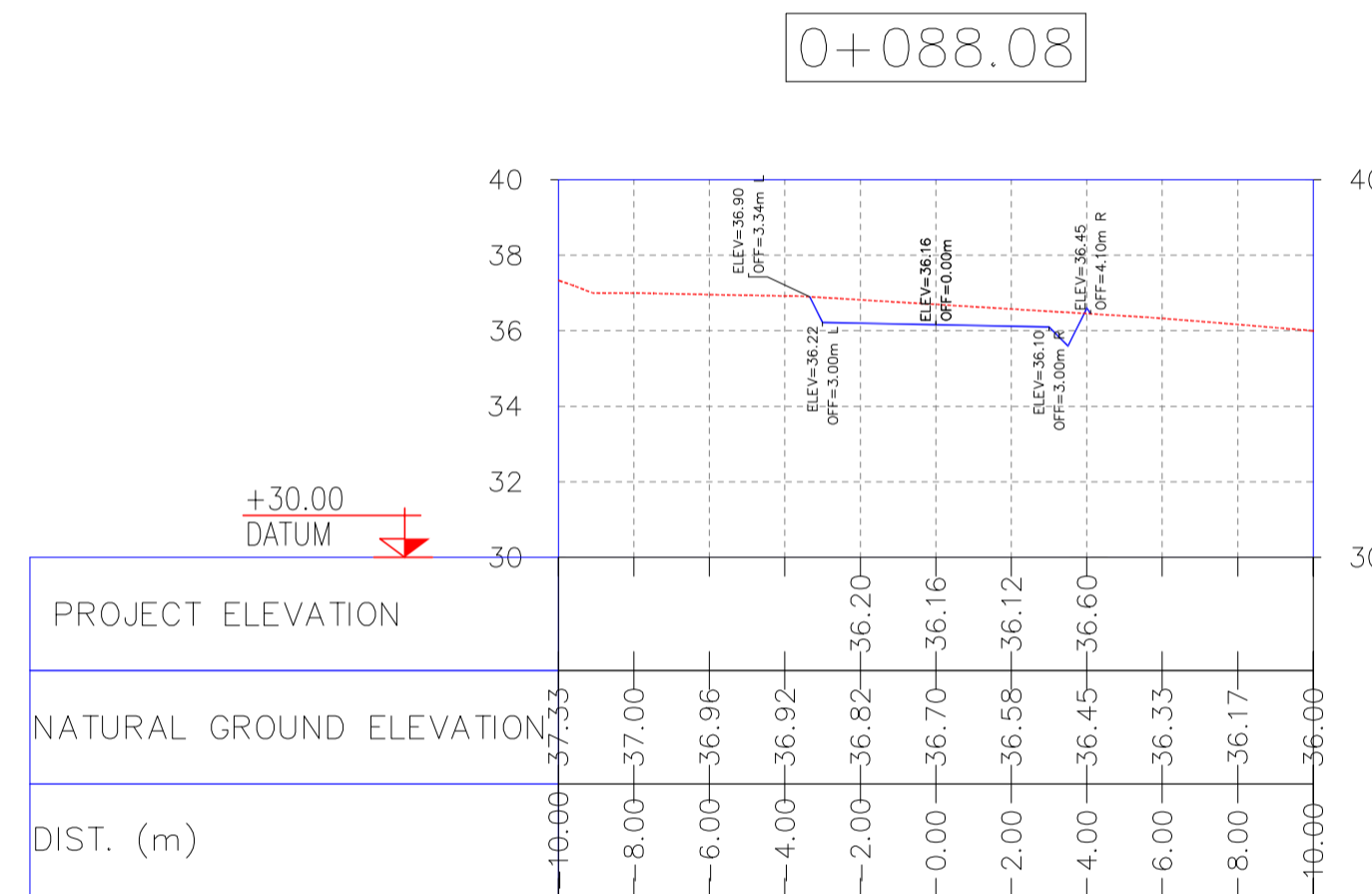
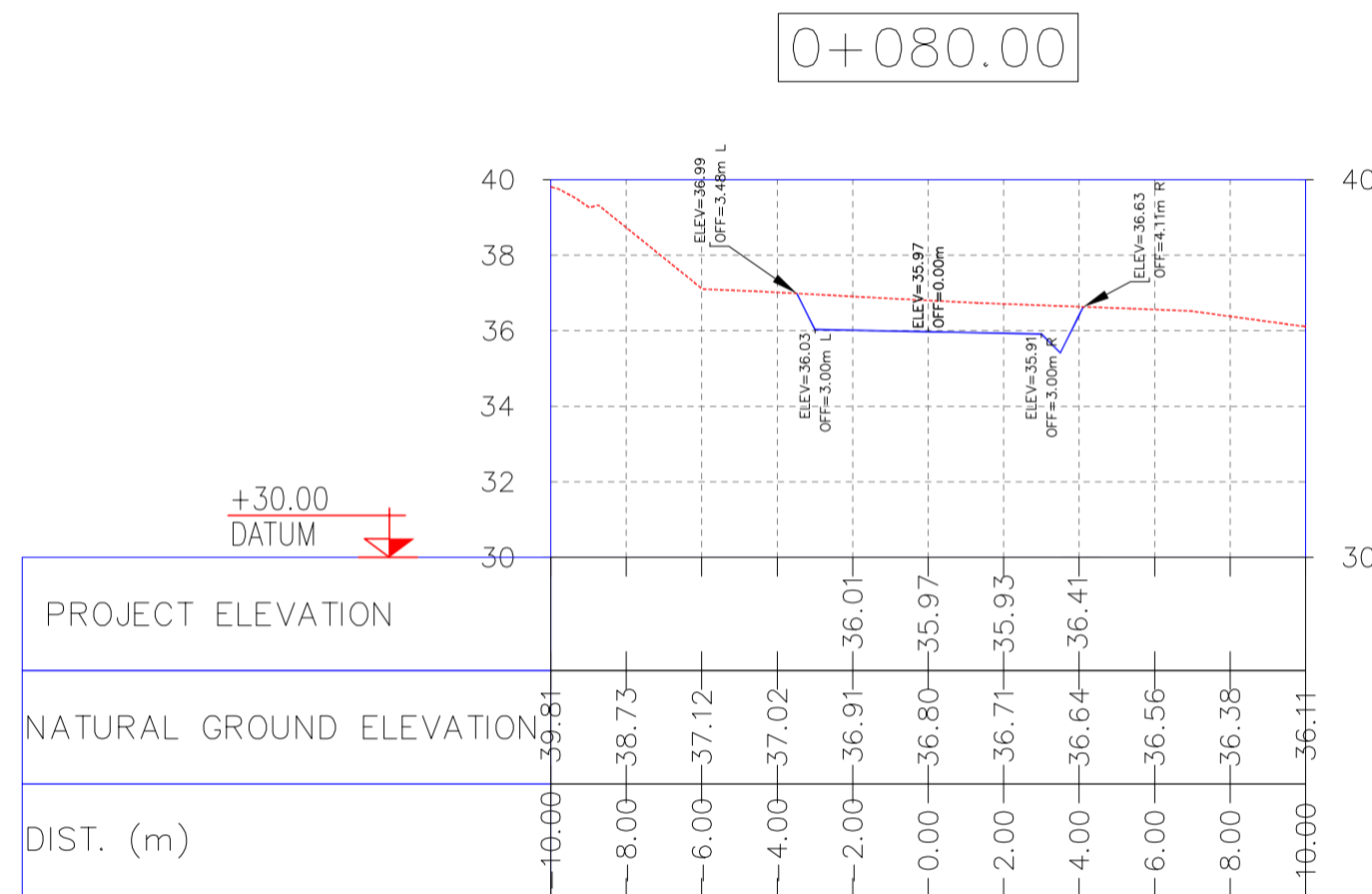
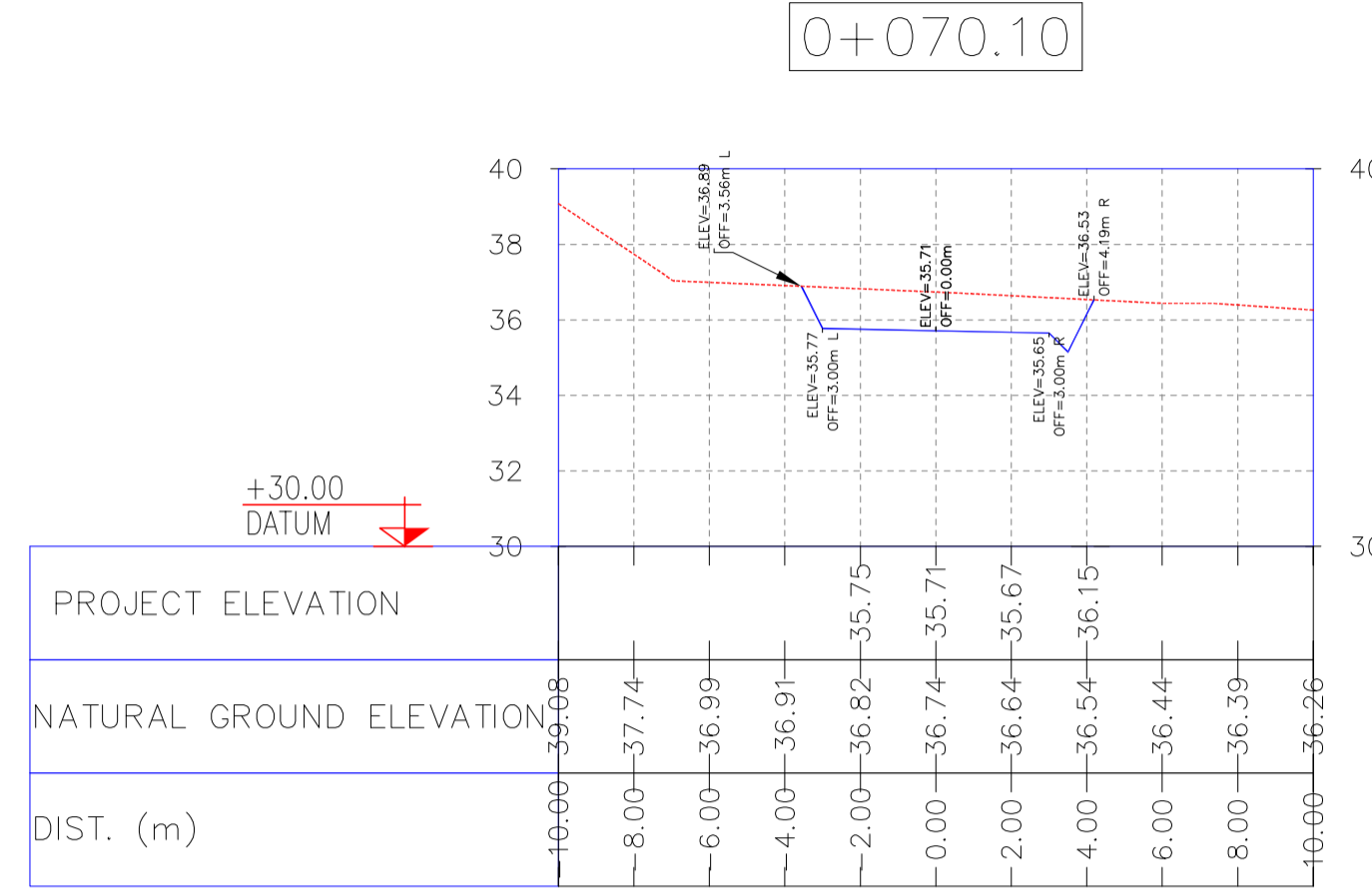
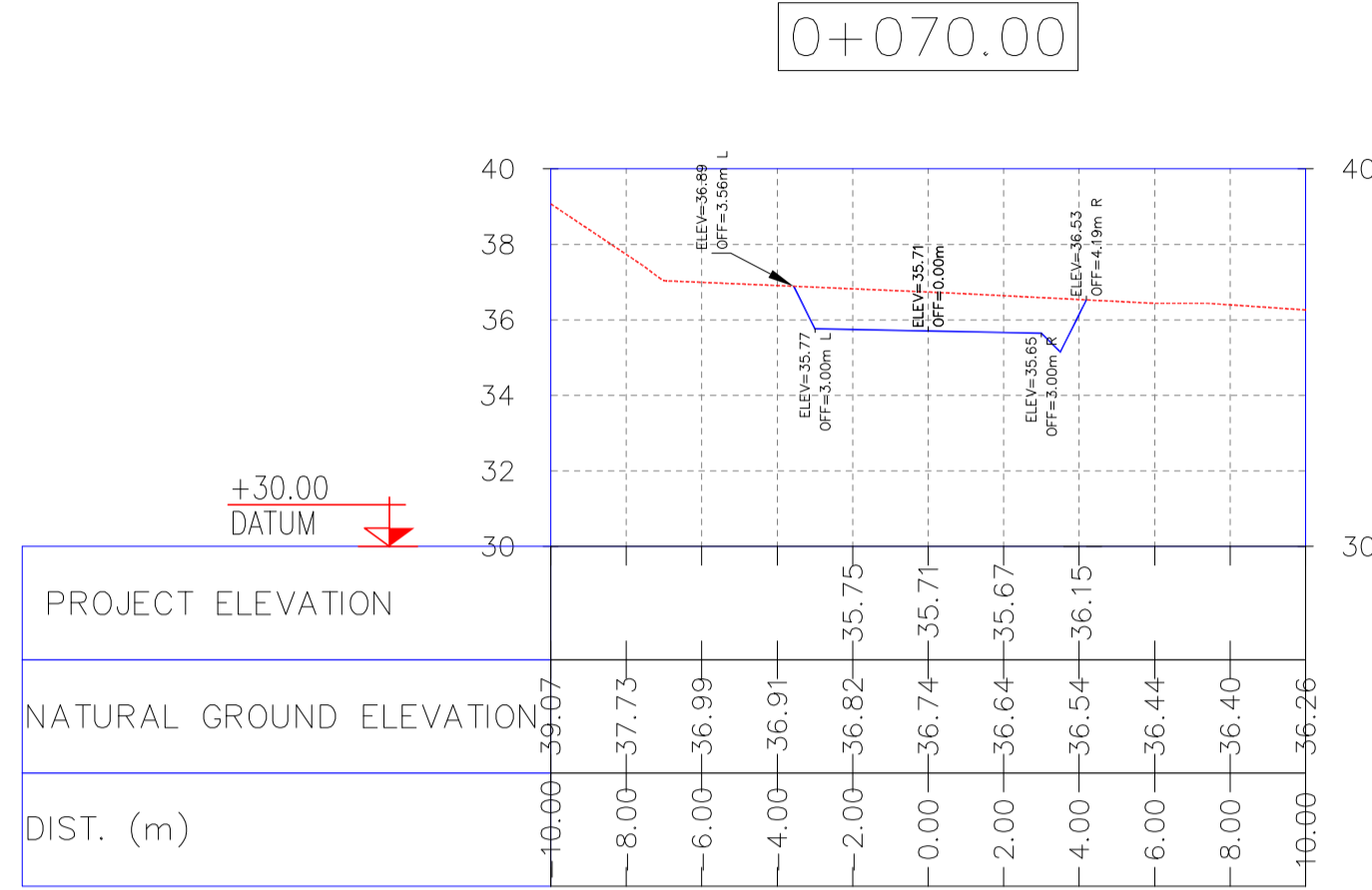
REFERENCE DRAWING	DRG. No.
General Civil Layout -W028	BK-W028-PEDCO-110-CV-PY-0001
Rough Grading Plans -W028	BK-W028-PEDCO-110-CV-DW-0001
Standard Drawing For Culvert & Details	BK-GNRAL-PEDCO-000-CV-DW-0014
Specification For Earth Work	BK-GNRAL-PEDCO-000-CV-SP-0004
Standard Drawing For Slope Protection Details	BK-GNRAL-PEDCO-000-CV-DW-0002

KEY PLAN



REV.	DATE	DESCRIPTION	BY	DATE	BY	DATE					
D05	JUL.2022	IPA	R. BERLOURI	M.PAKHARIAN	M.MEHRSHAD	***					
D04	JUN.2022	IPA	R. BERLOURI	M.PAKHARIAN	M.MEHRSHAD	**					
D03	MAY.2022	IPA	R. BERLOURI	M.PAKHARIAN	M.MEHRSHAD	**					
D02	MAR.2022	IPA	R. BERLOURI	M.PAKHARIAN	M.MEHRSHAD	**					
D01	NOV.2021	IPA	R. BERLOURI	M.PAKHARIAN	M.MEHRSHAD	**					
D00	OCT.2021	IPC	R. BERLOURI	M.PAKHARIAN	SH.GHALIKAR	**					
REV.	DATE	P.O.I.S	PREP.	CHK.	APP.	AUT.					
PROJECT NAME: BINAK OILFIELD DEVELOPMENT/SUB-SURFACE WORK PACKAGES W028 WELLHEAD FACILITIES											
PROJECT NO.: 971020											
EPC CONTRACTOR: HIRGAN ENERGY - DESIGN & INSPECTION COMPANIES			EPD/EPC CONTRACTOR(GC): PETROIRAN DEVELOPMENT COMPANY								
DRAWING TITLE: CIVIL AND STRUCTURAL DRAWINGS-W028S BURN PIT ROAD TRANSVERSAL SECTIONS KM 40~60M											
NO CONSTRUCTION PERMITTED UNLESS DRAWING APPROVED											
APPROVED FOR CONSTRUCTION BY: _____ DATE: _____											
SCALE	SIZE	DRAWING NO.	SHEET NO.	REV.	BUDGET REF.	LOCATION	SIZE	CLASS	SERIAL NO.	SHEET	REVISION
H=1/200 V=1/200	A1	BK-W028-PEDCO-110-CV-PY-0002	39 of 42	D05	053-073-9184	F	4	S	707548	39	D05

اصل و کليه نسخ اين نقشه و حق اقتباس متعلق به شرکت ملی مناطق نفت خيز جنوب مي باشد.
 THE ORIGINAL AND ALL COPIES OF THIS DRAWING TOGETHER WITH THE COPYRIGHT THEREIN ARE THE SOLE PROPERTY OF N.I.S.O.C./ FIELDS



NOTES

- 1- ALL COORDINATES AND ELEVATIONS ARE IN METER.
- 2- ALL DRAWINGS SHALL BE CHECKED BY CONTRACTOR WITH RELATIVE DRAWINGS BEFORE CONSTRUCTION.
- 3- GEODETIC PARAMETERS FOR COORDINATES ARE AS BELOW:
 HORIZONTAL COORDINATE SYSTEM: WGS84/UTM ZONE 39
 ELLIPSOID : WORLD GEODEIC SYSTEM 1984 (WGS84)
 MAP PROJECTION: UNIVERSAL TRANSVERSE MERCATOR (UTM)
 VERTICAL DATUM: MSL

LEGEND

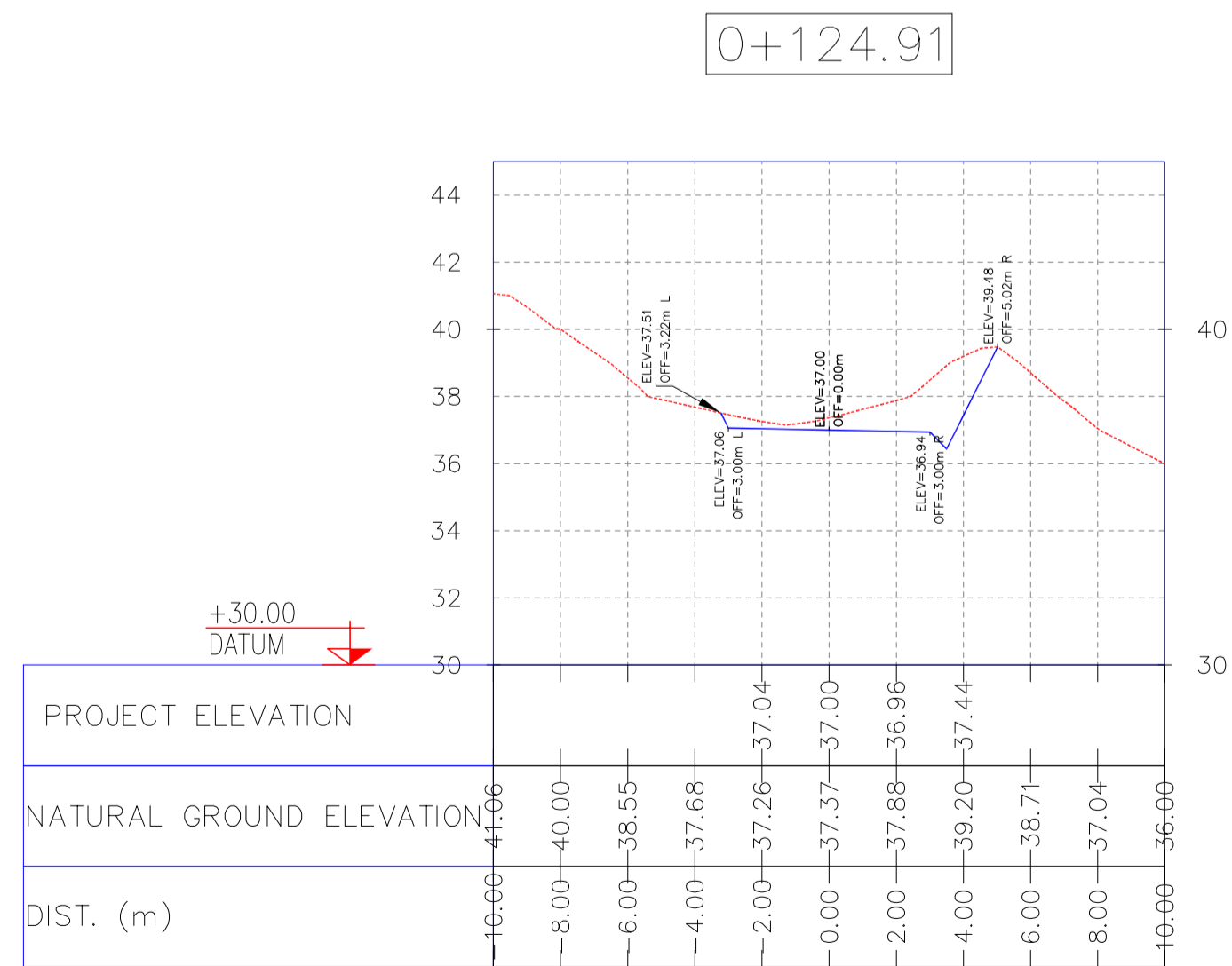
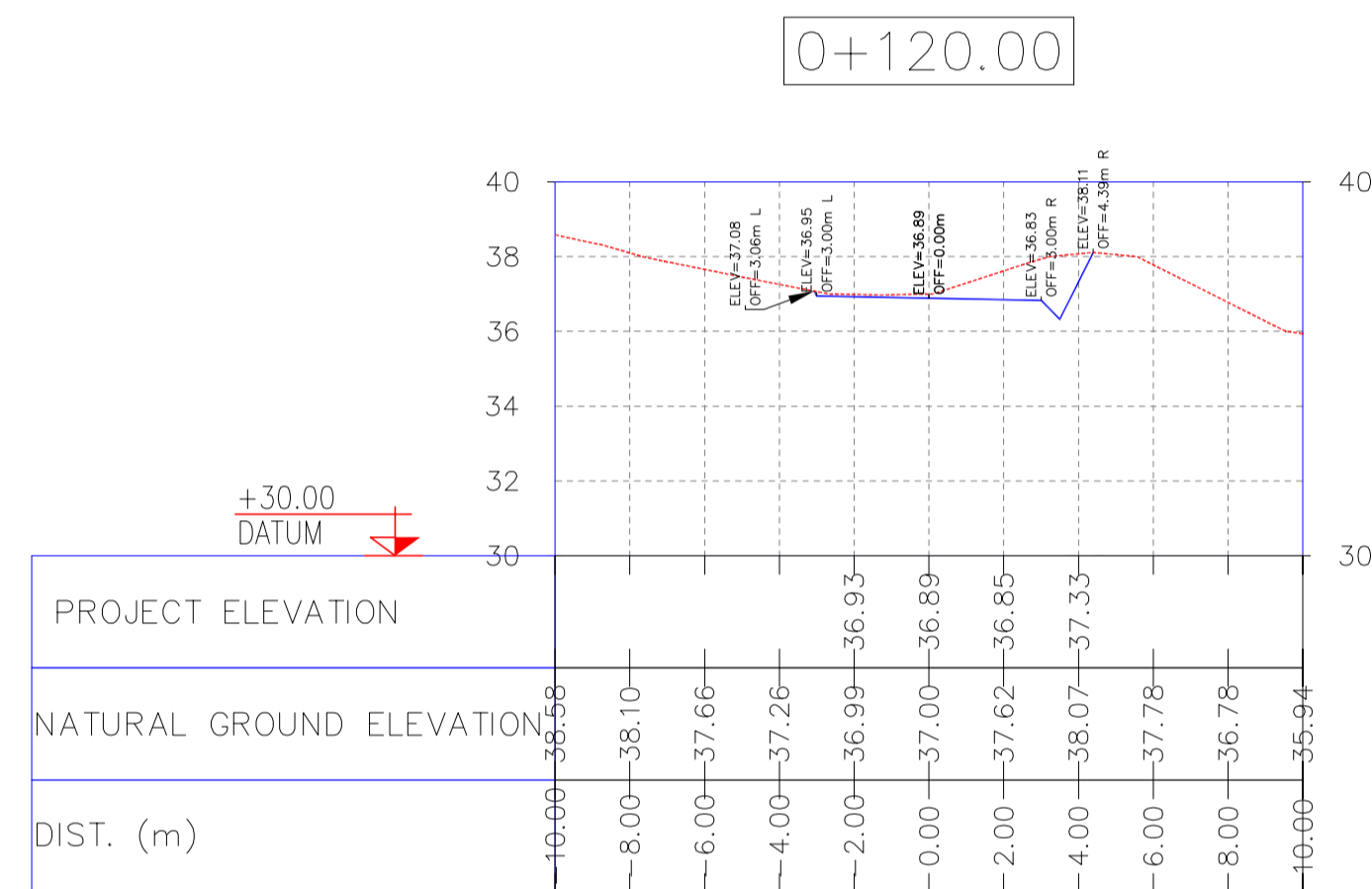
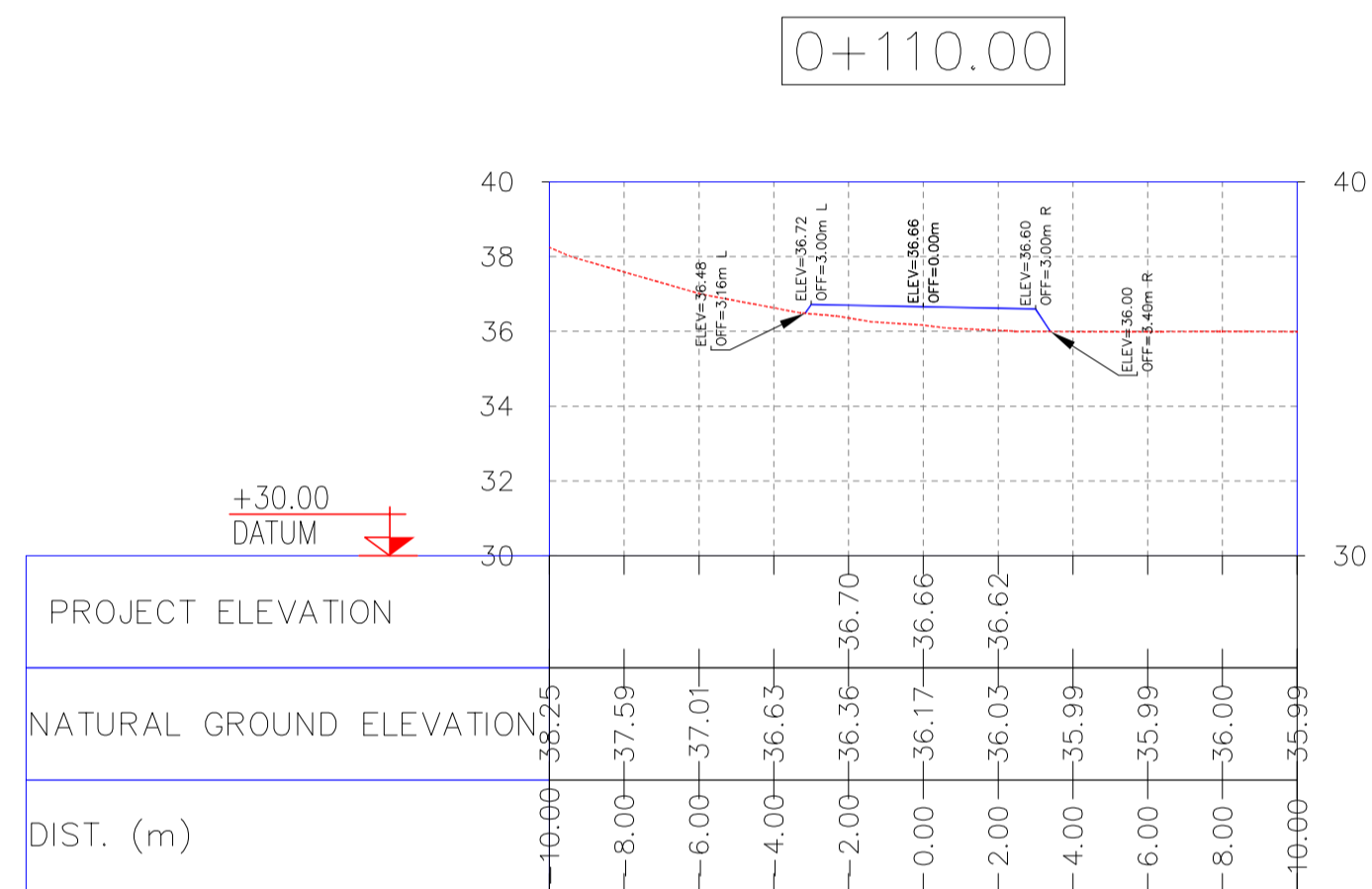
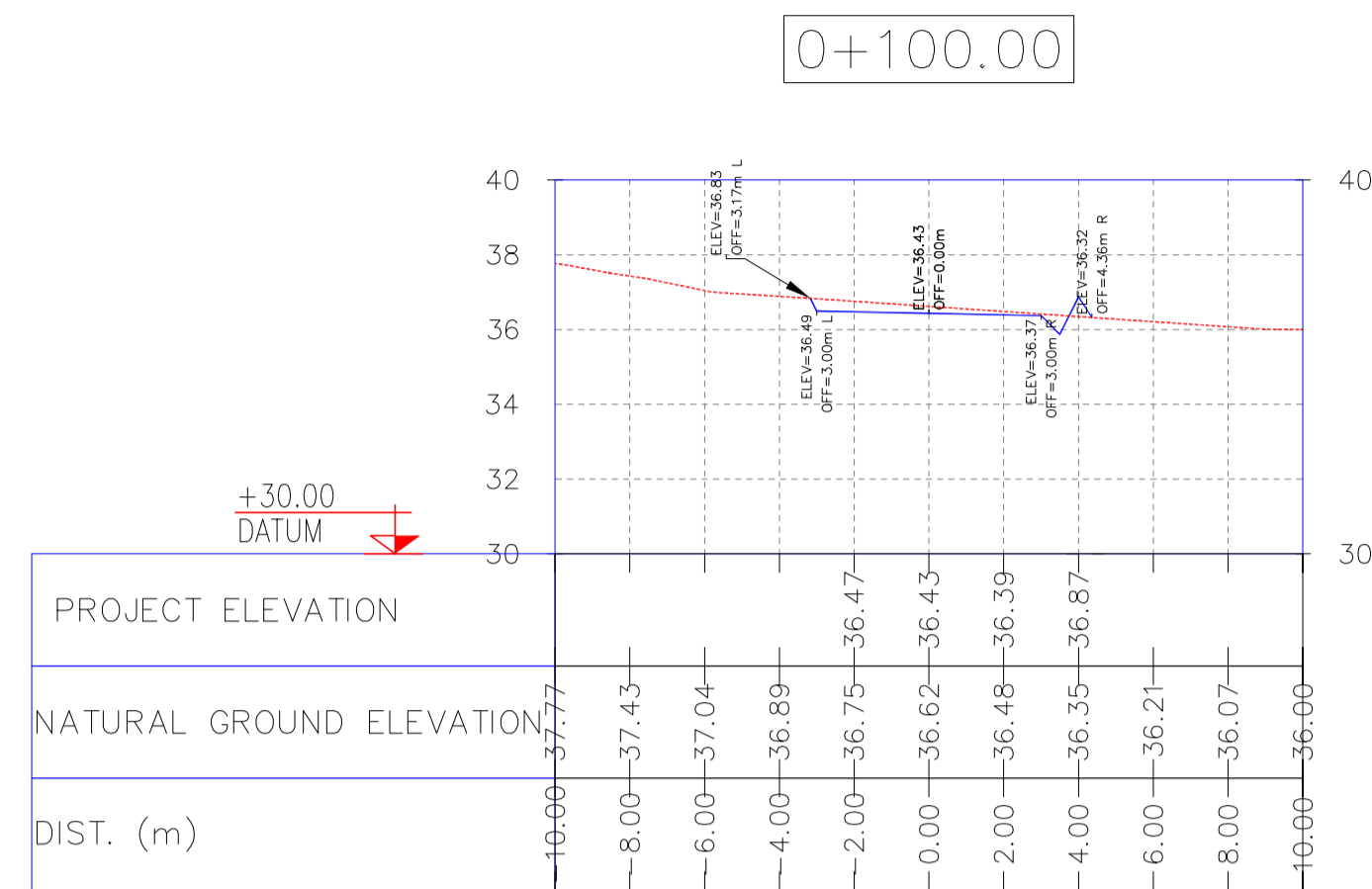
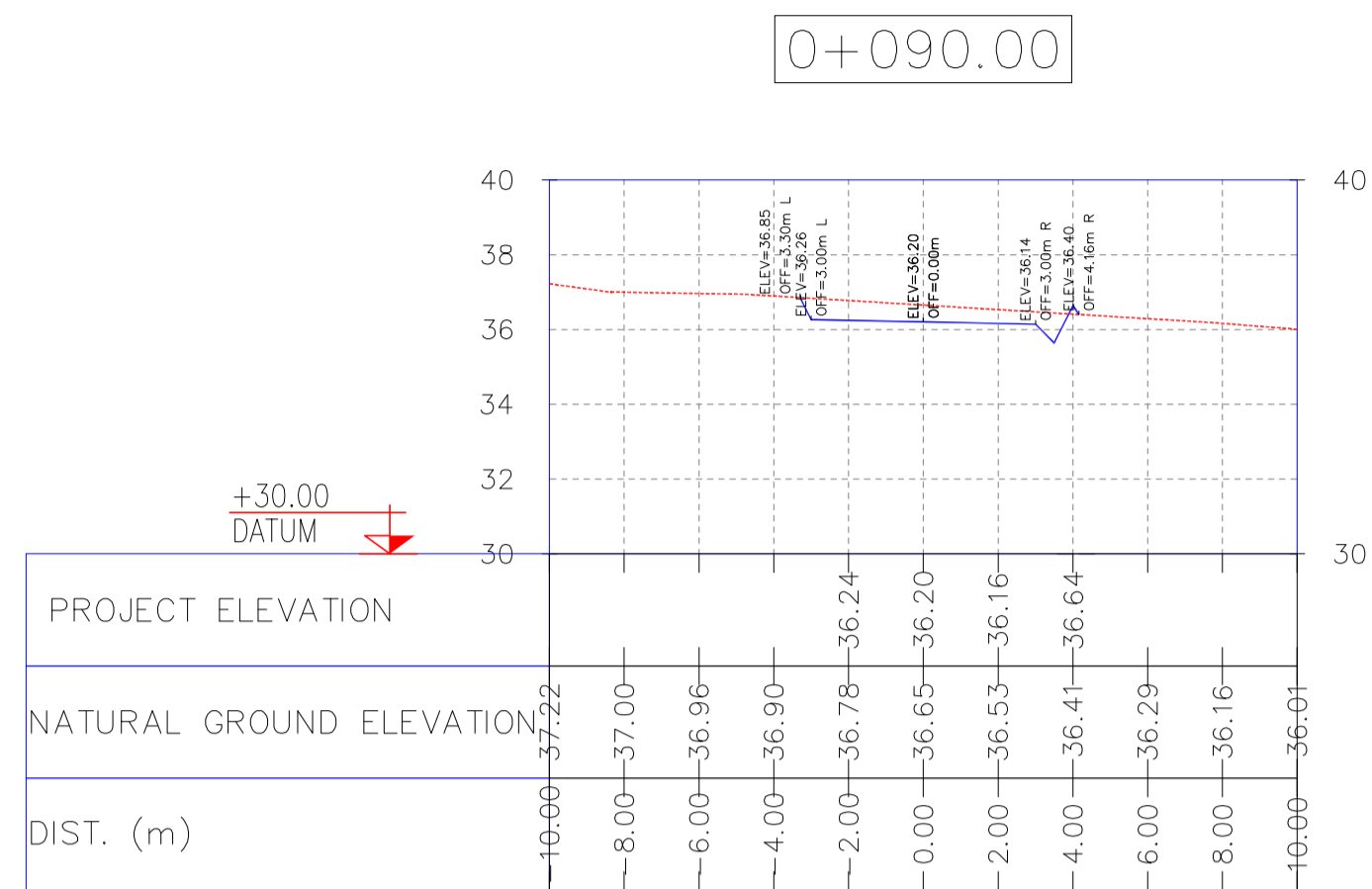
REFERENCE DRAWING	DRG. No.
General Civil Layout -W028	BK-W028-PEDCO-110-CV-PY-0001
Rough Grading Plans -W028	BK-W028-PEDCO-110-CV-DW-0001
Standard Drawing For Culvert & Details	BK-GNRL-PEDCO-000-CV-DW-0014
Specification For Earth Work	BK-GNRL-PEDCO-000-CV-SP-0004
Standard Drawing For Slope Protection Details	BK-GNRL-PEDCO-000-CV-DW-0002

KEY PLAN

D05	JUL.2022	IPA	R. BERLOURI	M.PAKHARIAN	M.MEHRSHAD	***
D04	JUN.2022	IPA	R. BERLOURI	M.PAKHARIAN	M.MEHRSHAD	**
D03	MAY.2022	IPA	R. BERLOURI	M.PAKHARIAN	M.MEHRSHAD	**
D02	MAR.2022	IPA	R. BERLOURI	M.PAKHARIAN	M.MEHRSHAD	**
D01	NOV.2021	IPA	R. BERLOURI	M.PAKHARIAN	M.MEHRSHAD	**
D00	OCT.2021	IPC	R. BERLOURI	M.PAKHARIAN	SH.GHALIKAR	**
REV.	DATE	P.O.I.S	PREP.	CHK.	APP.	AUT.

اصل و کليه نسخ اين نقشه و حق اقتباس متعلق به شرکت ملی مناطق نفت خيز جنوب مي باشد.
 THE ORIGINAL AND ALL COPIES OF THIS DRAWING TOGETHER WITH THE COPYRIGHT THEREIN ARE THE SOLE PROPERTY OF N.I.S.O.C./ FIELDS

				BINAK OILFIELD DEVELOPMENT SUB-SURFACE WORK PACKAGES W028 WELLHEAD FACILITIES	
DATE	SCALE	DRAWING BY	CHECKED BY	PROJECT ENG.	
NO CONSTRUCTION PERMITTED UNLESS DRAWING APPROVED					
APPROVED FOR CONSTRUCTION			BY: _____ DATE: _____		
SCALE	SIZE	DRAWING NO.	SHEET NO.	REV.	BUDGET REF.
H=1/200 V=1/200	A1	BK-W028-PEDCO-110-CV-PY-0002	40 of 42	D05	053-073-9184
LOCATION	SIZE	CLASS	SERIAL NO.	SHEET	REVISION
F	4	S	707548	40	D05



NOTES

- 1- ALL COORDINATES AND ELEVATIONS ARE IN METER.
- 2- ALL DRAWINGS SHALL BE CHECKED BY CONTRACTOR WITH RELATIVE DRAWINGS BEFORE CONSTRUCTION.
- 3- GEODETIC PARAMETERS FOR COORDINATES ARE AS BELOW:
 HORIZONTAL COORDINATE SYSTEM: WGS84/UTM ZONE 39
 ELLIPSOID : WORLD GEODEIC SYSTEM 1984 (WGS84)
 MAP PROJECTION: UNIVERSAL TRANSVERSE MERCATOR (UTM)
 VERTICAL DATUM: MSL

LEGEND

REFERENCE DRAWING	DRG. No.
General Civil Layout -W028	BK-W028-PEDCO-110-CV-PY-0001
Rough Grading Plans -W028	BK-W028-PEDCO-110-CV-DW-0001
Standard Drawing For Culvert & Details	BK-GNRAL-PEDCO-000-CV-DW-0014
Specification For Earth Work	BK-GNRAL-PEDCO-000-CV-SP-0004
Standard Drawing For Slope Protection Details	BK-GNRAL-PEDCO-000-CV-DW-0002

KEY PLAN

D05	JUL.2022	IPA	R. BERLOURI	M.PAKHARIAN	M.MEHRSHAD	***
D04	JUN.2022	IPA	R. BERLOURI	M.PAKHARIAN	M.MEHRSHAD	**
D03	MAY.2022	IPA	R. BERLOURI	M.PAKHARIAN	M.MEHRSHAD	**
D02	MAR.2022	IPA	R. BERLOURI	M.PAKHARIAN	M.MEHRSHAD	**
D01	NOV.2021	IPA	R. BERLOURI	M.PAKHARIAN	M.MEHRSHAD	**
D00	OCT.2021	IFC	R. BERLOURI	M.PAKHARIAN	SH.GHALIKAR	**

PROJECT NAME: BINAK OILFIELD DEVELOPMENT/SUB-SURFACE WORK PACKAGES W028 WELLHEAD FACILITIES
 PROJECT NO.: 971020

EPC CONTRACTOR: HIRGAN ENERGY - DESIGN & INSPECTION COMPANIES

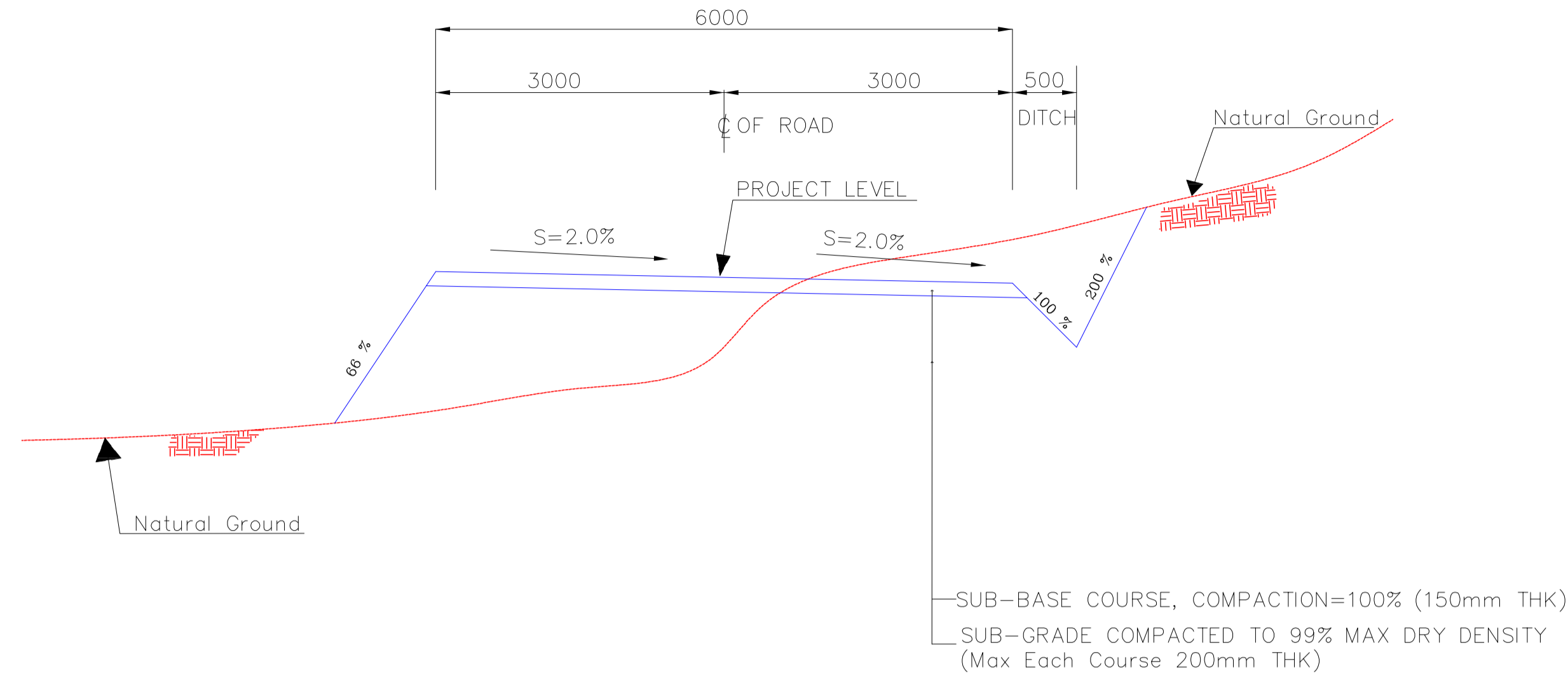
EPD/EPC CONTRACTOR(GC): PETROIRAN DEVELOPMENT COMPANY

DRAWING TITLE: CIVIL AND STRUCTURAL DRAWINGS-W028S
 BURN PIT ROAD TRANSVERSAL SECTIONS KM 90~124.91M

SCALE	SIZE	DRAWING NO.	SHEET NO.	REV.
H=1/200 V=1/200	A1	BK-W028-PEDCO-110-CV-PY-0002	41 of 42	D05

اصل و کليه نسخ اين نقشه و حق اقتباس متعلق به شرکت ملی مناطق نفت خيز جنوب مي باشد.
 THE ORIGINAL AND ALL COPIES OF THIS DRAWING TOGETHER WITH THE COPYRIGHT THEREIN ARE THE SOLE PROPERTY OF N.I.S.O.C./ FIELDS

DATE	SCALE	DRAWING BY	CHECKED BY	PROJECT ENG.
NO CONSTRUCTION PERMITTED UNLESS DRAWING APPROVED				
APPROVED FOR CONSTRUCTION			BY:	DATE:
BUDGET REF.	LOCATION	SIZE CLASS	SERIAL NO.	SHEET REVISION
053-073-9184	F	4	S	707548 41 D05



N.T.S. TYPICAL CROSS SECTION (BURN PIT Road)

CUT & FILL VOLUME TABLE(BURN PIT ROAD)

Total Volume Table						
Station	Fill Area	Cut Area	Fill Volume	Cut Volume	Cumulative Fill Vol	Cumulative Cut Vol
0+000.000	0.00	4.40	0.00	0.00	0.00	0.00
0+010.000	0.00	9.03	0.00	67.15	0.00	67.15
0+020.000	0.00	7.90	0.00	84.67	0.00	151.83
0+030.000	10.62	0.00	53.12	39.51	53.12	191.33
0+040.000	1.24	0.00	59.34	0.00	112.46	191.33
0+050.000	0.04	5.04	6.41	25.20	118.87	216.53
0+052.114	0.03	4.83	0.07	10.43	118.94	226.97
0+060.000	0.00	9.88	0.13	57.98	119.07	284.95
0+070.000	0.00	7.54	0.00	87.68	119.07	372.63
0+070.097	0.00	7.51	0.00	0.73	119.07	373.36
0+080.000	0.00	6.09	0.00	67.78	119.07	441.14
0+088.080	0.01	3.85	0.05	40.40	119.12	481.54
0+090.000	0.03	3.23	0.04	6.80	119.16	488.34
0+100.000	0.16	1.35	0.97	22.89	120.13	511.23
0+110.000	3.03	0.00	15.97	6.76	136.10	517.99
0+120.000	0.00	3.48	15.16	17.40	151.27	535.39
0+124.910	0.00	6.22	0.00	23.82	151.27	559.21

TOTALLY REVISED

NOTES

- 1- ALL COORDINATES AND ELEVATIONS ARE IN METER.
- 2- ALL DRAWINGS SHALL BE CHECKED BY CONTRACTOR WITH RELATIVE DRAWINGS BEFORE CONSTRUCTION.
- 3- GEODETIC PARAMETERS FOR COORDINATES ARE AS BELOW:
 HORIZONTAL COORDINATE SYSTEM: WGS84/UTM ZONE 39
 ELLIPSOID : WORLD GEODETTIC SYSTEM 1984 (WGS84)
 MAP PROJECTION: UNIVERSAL TRANSVERSE MERCATOR (UTM)
 VERTICAL DATUM: MSL

LEGEND

REFERENCE DRAWING	DRG. No.
General Civil Layout -W028	BK-W028-PEDCO-110-CV-PY-0001
Rough Grading Plans -W028	BK-W028-PEDCO-110-CV-DW-0001
Standard Drawing For Culvert & Details	BK-GNRAI-PEDCO-000-CV-DW-0014
Specification For Earth Work	BK-GNRAI-PEDCO-000-CV-SP-0004
Standard Drawing For Slope Protection Details	BK-GNRAI-PEDCO-000-CV-DW-0002

KEY PLAN

REV.	DATE	DESCRIPTION	BY	DATE	BY	DATE
D05	JUL.2022	IFA	R. BERLOURI	M.PAKHARIAN	M.MEHRSHAD	***
D04	JUN.2022	IFA	R. BERLOURI	M.PAKHARIAN	M.MEHRSHAD	**
D03	MAY.2022	IFA	R. BERLOURI	M.PAKHARIAN	M.MEHRSHAD	**
D02	MAR.2022	IFA	R. BERLOURI	M.PAKHARIAN	M.MEHRSHAD	**
D01	NOV.2021	IFA	R. BERLOURI	M.PAKHARIAN	M.MEHRSHAD	**
D00	OCT.2021	IFC	R. BERLOURI	M.PAKHARIAN	SH.GHALIKAR	**

PROJECT NAME: BINAK OILFIELD DEVELOPMENT/SUB-SURFACE WORK PACKAGES W028 WELLHEAD FACILITIES

PROJECT NO.: 971020

EPC CONTRACTOR: HIRGAN ENERGY - DESIGN & INSPECTION COMPANIES

EPD/EPC CONTRACTOR(GC): PETROIRAN DEVELOPMENT COMPANY

BINAK OILFIELD DEVELOPMENT SUB-SURFACE WORK PACKAGES W028 WELLHEAD FACILITIES

DATE: SCALE: DRAWING BY: CHECKED BY: PROJECT ENG.

DRAWING TITLE: CIVIL AND STRUCTURAL DRAWINGS-W028S TYPICAL CUT&FILL CROSS SEC.(BURN PIT ROAD)& VOLUME TABEL

NO CONSTRUCTION PERMITTED UNLESS DRAWING APPROVED

APPROVED FOR CONSTRUCTION BY: DATE:

SCALE	SIZE	DRAWING NO.	SHEET NO.	REV.	BUDGET REF.	LOCATION	SIZE	CLASS	SERIAL NO.	SHEET	REVISION
AS SHOWN	A1	BK-W028-PEDCO-110-CV-PY-0002	42 of 42	D05	053-073-9184	F	4	S	707548	42	D05