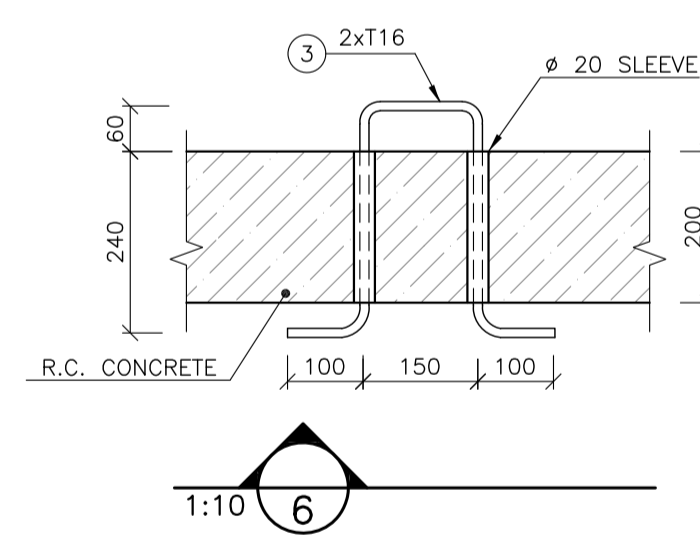
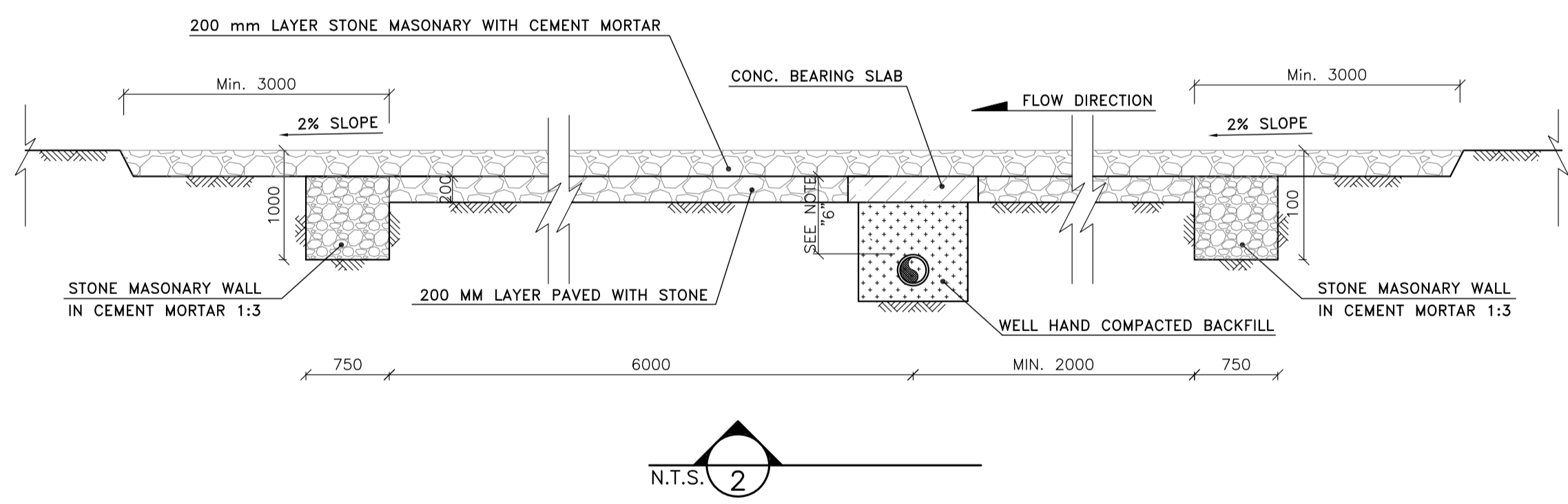


- NOTES**
- 1- ALL DIMENSIONS ARE IN MILLIMETER UNLESS OTHERWISE STATED.
 - 2- THE IRISH CROSSING LENGTH ALONG PIPELINE ROUTE SHALL BE MIN. 3.0 METERS UNLESS OTHERWISE SPECIFIED IN PLAN PROFILE DRAWINGS OR DECIDED BY COMPANY'S SITE REPRESENTATIVE.
 - 3- LOCATION OF IRISH CROSSINGS IS DEFINED IN PLAN PROFILE DRAWINGS AND/OR DECIDED BY COMPANY'S SITE REPRESENTATIVE.
 - 4- COVER OF REINFORCEMENT BARS TO BE 75mm
 - 5- ACCORDING TO THE SPECIFICATION OF CONCRETE WORKS: "BK-GNRL-PEDCO-000-ST-SP-0001", 28 DAYS CHARACTERISTIC COMPRESSIVE STRENGTH OF MAIN CONCRETE IS 25 MPa (ON CYLINDRICAL SPECIMEN)
 - 6- PIPELINE DEPTH AND MATERIAL OF BACKFILL SHALL BE AS PER RELATIVE DWG.
 - 7- PORTLAND CEMENT SHALL BE REFERRED TO GEOTECHNICAL INVESTIGATION REPORT.
 - 8- BACKFILL OVER PIPE SHALL BE PLACED IN 150mm LAYERS AND PNEUMATICALLY TAMPED TO REACH THE DENSITY OF UNDISTURBED SURROUNDING AND SURFACE MATERIAL SHALL BE RESTORED TO THE SATISFACTION OF THE SITE ENGINEER.
 - 9- REINFORCING BARS SHALL BE S400 ACCORDING TO: ISIRI3132 AND INBC9 WITH MINIMUM TENSILE YIELD STRENGTH 400 N/mm²

LEGEND AND ABBREVIATION

	REINFORCED CONCRETE
	LEAN CONCRETE
	BACKFILL
	GRAVEL
	COMPACTED SOIL
R.O.W.	RIGHT OF WAY
CL	CENTER LINE

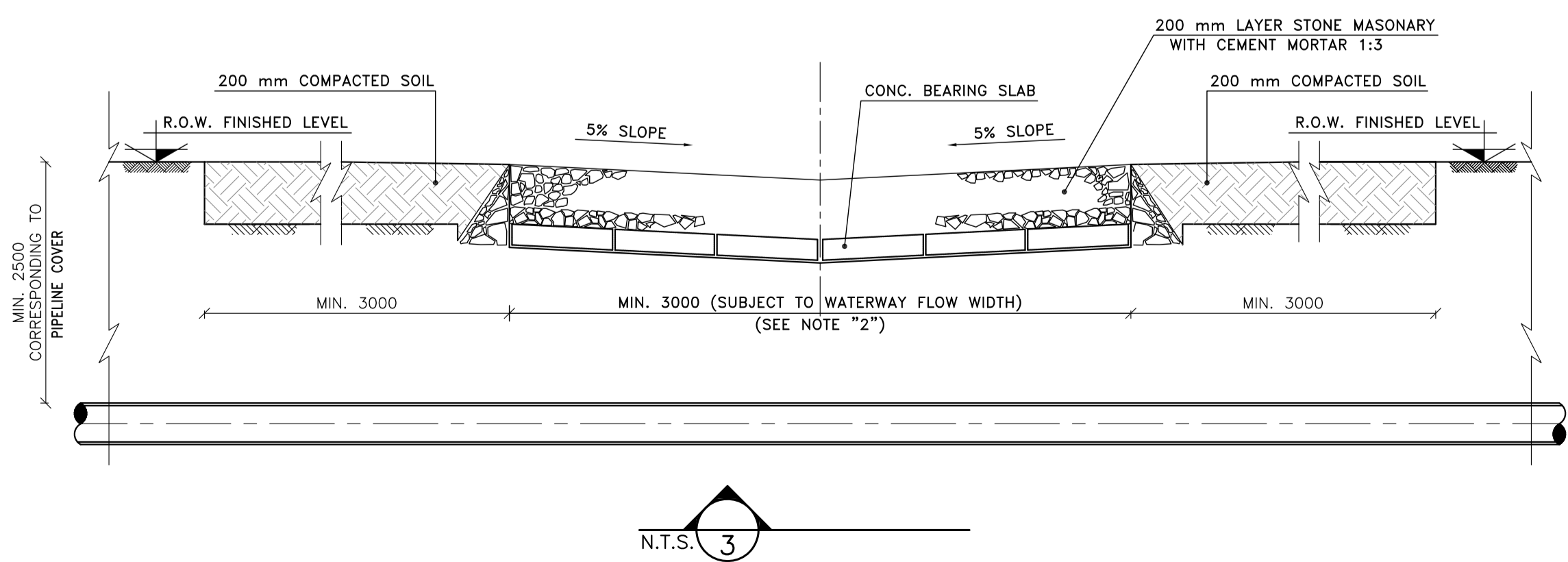
REFERENCE DRAWING	DRG. No.
GENERAL NOTES - REINFORCED CONCRETE STRUCTURES	BK-GNRL-PEDCO-000-ST-DW-0012



BAR BENDING SCHEDULE FOR BEARING SLAB

Pos.	Dia.	LEN. (m)	NUM.	FIGURE (cm)		
					Ø12	Ø16
1	16	1.90	12	190		22.80
2	12	0.90	22	90	19.80	
3	16	0.95	2			1.90
TOTAL LENGTH OF DIAMETER					19.80	24.70
UNIT WEIGHT (kg/m)					0.888	1.580
TOTAL WEIGHT (Kg)					17.58	39.03

NOTE:
-ABOVE QUANTITIES ARE FOR ONE SLAB.



KEY PLAN

REV.	DESCRIPTION	BY	DATE	BY	DATE
D02	JUL.2022	APC	R.BERLOUIE	M.FAKHARIAN	M.MEHRSHAD
D01	MAY.2022	APC	R.BERLOUIE	M.FAKHARIAN	M.MEHRSHAD
D00	DEC.2021	IPC	R.BERLOUIE	M.FAKHARIAN	M.MEHRSHAD

PROJECT NAME: BINAK OILFIELD DEVELOPMENT GENERAL
PROJECT NO.: 971020

EPC CONTRACTOR: HIRGAN ENERGY COMPANIES
EPD/EPC CONTRACTOR(GC): PETROIRAN DEVELOPMENT COMPANY

DRAWING TITLE: PIPELINE STANDARD DRAWING FOR IRISH CROSSING

SCALE	SIZE	DRAWING NO.	SHEET NO.	REV.	BUDGET REF.	LOCATION	SIZE	CLASS	SERIAL NO.	SHEET	REVISION
N.T.S	A1	BK-GNRL-PEDCO-000-PL-DW-0007	1 OF 1	D02	053-073-9184	F	5	L	707172	1	D02

THE ORIGINAL AND ALL COPIES OF THIS DRAWING TOGETHER WITH THE COPYRIGHT THEREIN ARE THE SOLE PROPERTY OF N.I.S.O.C./ FIELDS

BINAK OILFIELD DEVELOPMENT GENERAL

DATE	SCALE	DRAWING BY	CHECKED BY	PROJECT ENG.
------	-------	------------	------------	--------------

NO CONSTRUCTION PERMITTED UNLESS DRAWING APPROVED

APPROVED FOR CONSTRUCTION	BY:	DATE:
---------------------------	-----	-------