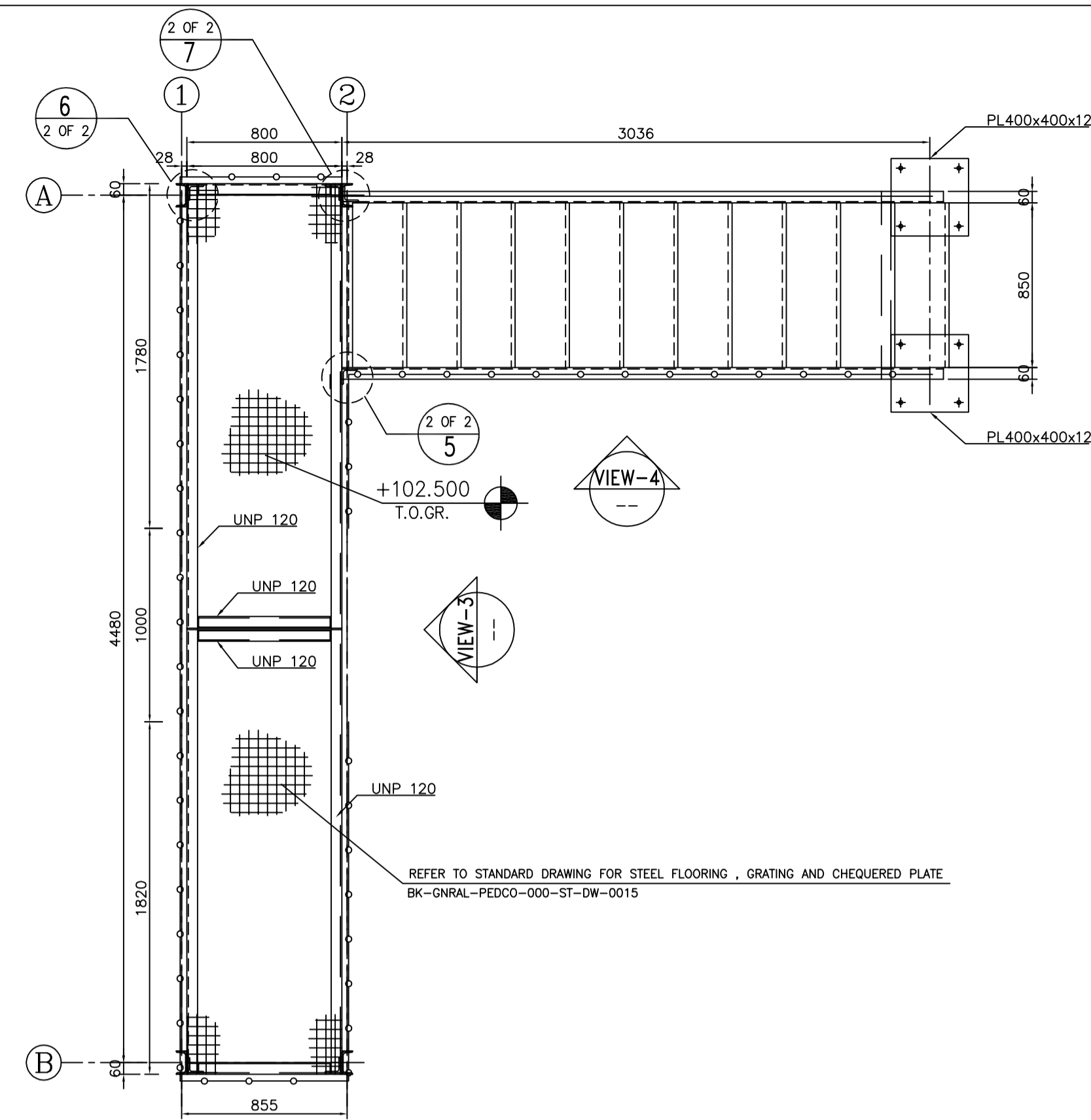
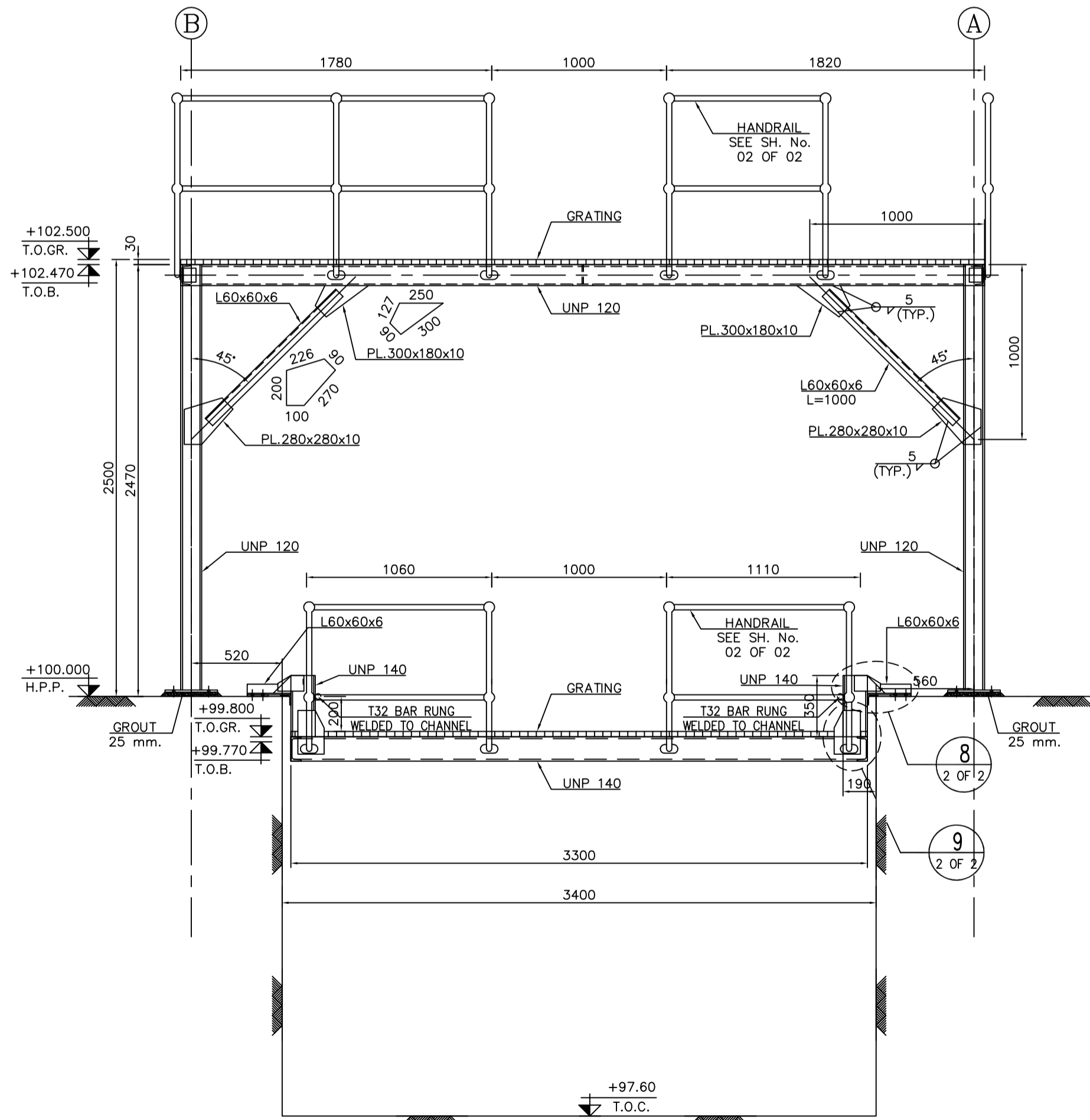


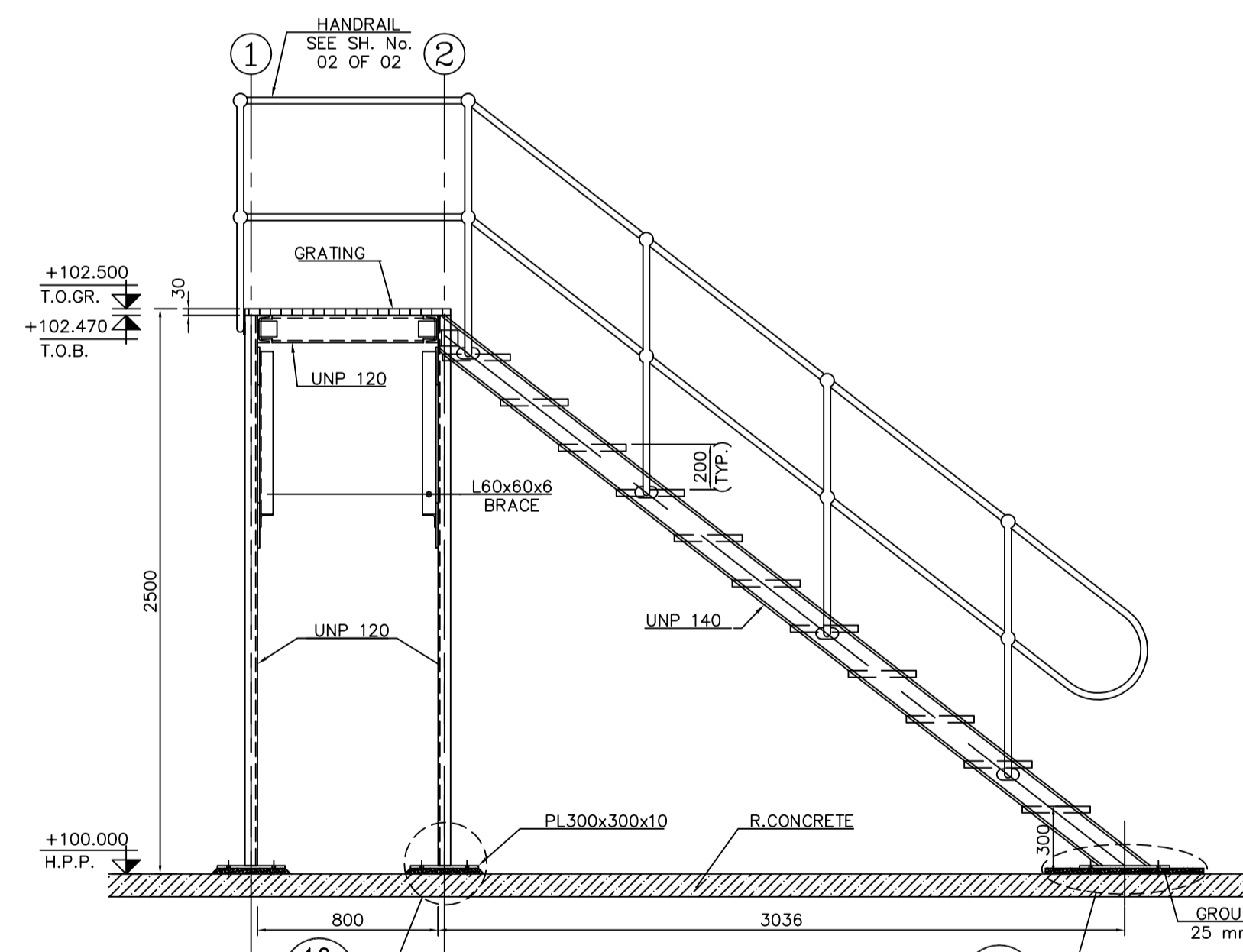
PLAN OF PLATFORM AT EL. +100.00



PLAN OF PLATFORM AT EL. +102.500



3



4

- NOTES**
- 1) DIMENSIONS ARE IN "mm" AND ELEVATIONS IN "m" UNLESS SPECIFIED.
 - 2) ALL DIMENSIONS AND ELEVATIONS SHALL BE CHECKED BY THE CONTRACTOR PRIOR TO CONSTRUCTION.
 - 3) CONTRACTOR SHALL CHECK THE DRAWING WITH ALL ARCHITECTURAL, MECHANICAL, INSTRUMENT, PIPING & ELECTRICAL DRAWINGS BEFORE CONSTRUCTION AND ANY REQUIRED MODIFICATIONS SHALL BE CONSIDERED WITH PRIOR CLIENT APPROVAL.
 - 4) REFERENCE COORDINATES E=1000.000, N=1000.000 REFER TO X=437440.362, Y=3291914.119 UTM.
 - 5) H.P.P. 100.00m CORRESPONDING TO 34.26 M.S.L.
 - 6) ANCHOR BOLTS, NUTS, WASHERS, OTHER THREADED FASTENERS & ALL STEEL STAIR MEMBERS SHALL BE HOT DIP GALVANIZED ACCORDANCE WITH ISIRI 19289 & STEEL PLATES SHALL BE HOT DIP GALVANIZED WITH ISIRI 16353.
 - 7) STEEL MATERIALS SHALL BE CONSIDERED FOR: PROFLES, PLATES AND GRATING AS ISIRI 14262-2,(S235JR)

LEGEND

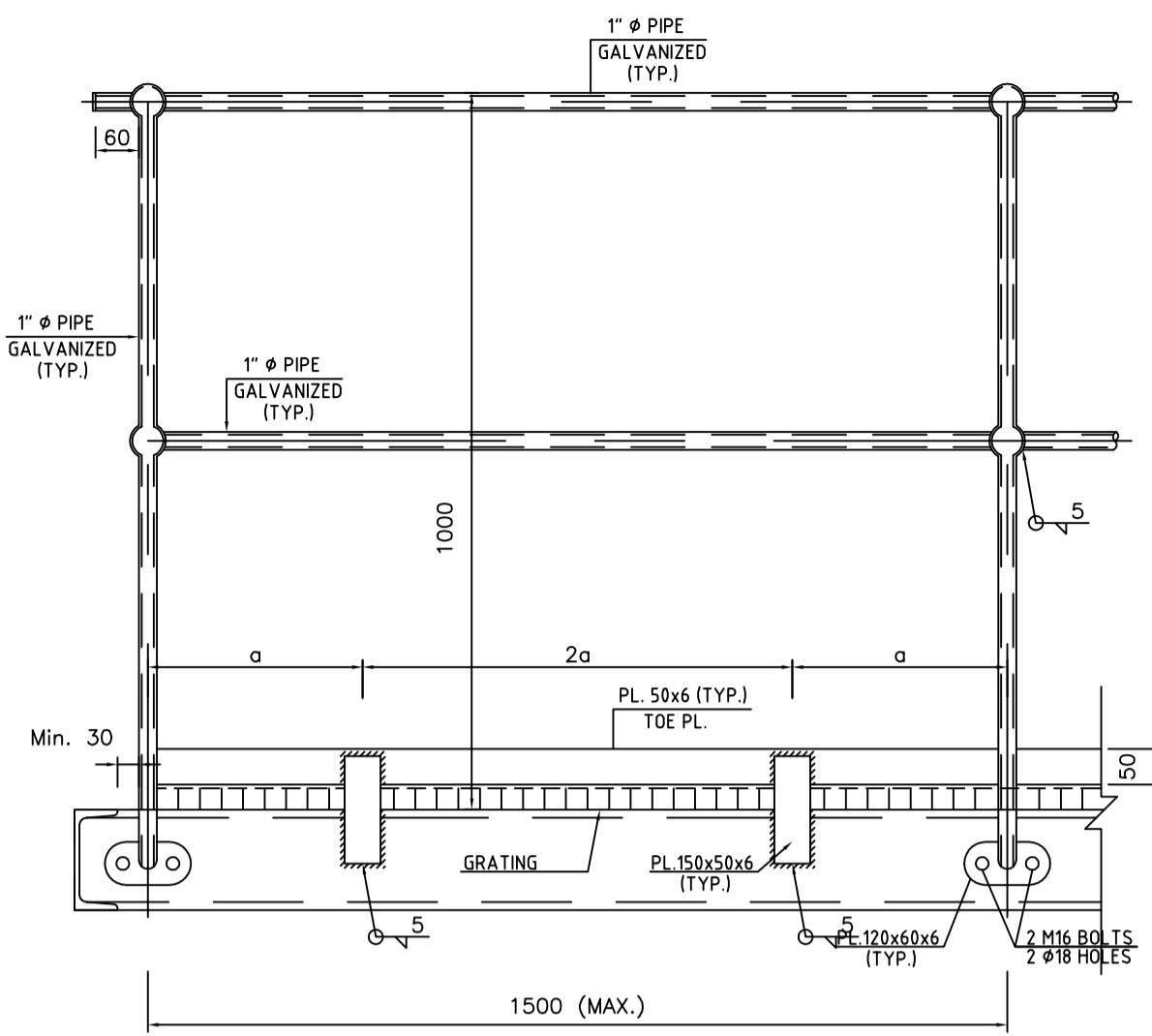
T.O.GR. TOP OF GRATING

REFERENCE DRAWING	DRG. No.
STANDARD DRAWING FOR ANCHOR BOLTS	BK-GNRL-PEDCO-00-ST-DW-0002
STANDARD DRAWING FOR STEEL STAIRS	BK-GNRL-PEDCO-00-ST-DW-0003
STANDARD DRAWING FOR OPERATING PLATFORM	BK-GNRL-PEDCO-00-ST-DW-0005
STANDARD DRAWING FOR HANDRAIL	BK-GNRL-PEDCO-00-ST-DW-0006
GENERAL NOTES - STEEL STRUCTURES	BK-GNRL-PEDCO-00-ST-DW-0012
STANDARD DRAWING FOR STEEL FLOORING, GRATING & CHEQUERED PLATE	BK-GNRL-PEDCO-00-ST-DW-0015
SPECIFICATION FOR ERECTION OF STEEL STRUCTURES	BK-GNRL-PEDCO-000-ST-SP-0005
SPECIFICATION FOR FABRICATION OF STEEL STRUCTURES	BK-GNRL-PEDCO-000-ST-SP-0003

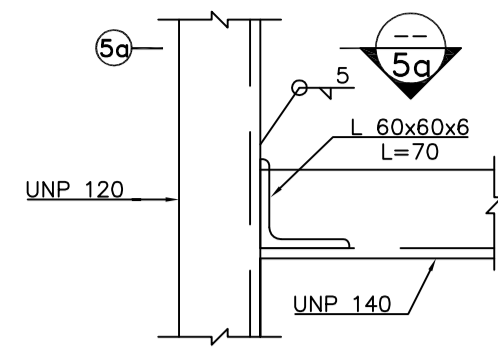
KEY PLAN

REV.	DATE	P.O.I.S	PREP.	CHK.	APP.	AUT.	DESCRIPTION	BY	DATE	BY	DATE
D03	JUL.2022	AFC	R.BERLOUIE	M.PAKHARIAN	A.M.MOHSSENI	** **					
D02	JUN.2022	IFA	R.BERLOUIE	M.PAKHARIAN	M.Mehrsbad	** **					
D01	APR.2022	IFC	R.BERLOUIE	M.PAKHARIAN	M.Mehrsbad	** **					
D00	JAN.2022	IFC	R.BERLOUIE	M.PAKHARIAN	M.Mehrsbad	** **					
REV.	DATE	P.O.I.S	PREP.	CHK.	APP.	AUT.	DESCRIPTION	CHECKED	REV. APPR.		
PROJECT NAME:							BINAK OILFIELD DEVELOPMENT/SUB-SURFACE WORK PACKAGES W018S WELLHEAD FACILITIES				
PROJECT NO.:							971020				
EPC CONTRACTOR:			EPD/EPC CONTRACTOR (GC):								
 HIRGAN ENERGY - DESIGN & INSPECTION COMPANIES			 PETROIRAN DEVELOPMENT COMPANY								
DATE			SCALE			DRAWING BY			CHECKED BY PROJECT ENG.		
DRAWING TITLE:											
PLATFORM STRUCTURE DRAWING - W018S											
NO CONSTRUCTION PERMITTED UNLESS DRAWING APPROVED											
APPROVED FOR CONSTRUCTION				BY:				DATE:			
SCALE	SIZE	DRAWING NO.		SHEET NO.	REV.	BUDGET REF.	LOCATION	SIZE	CLASS	SERIAL NO.	SHEET REVISION
N.T.S.	A1	BK-W018S-PEDCO-110-ST-DW-0002		1 OF 2	D03	053-073-9184	F	4	M	707466	1 OF 2 D03

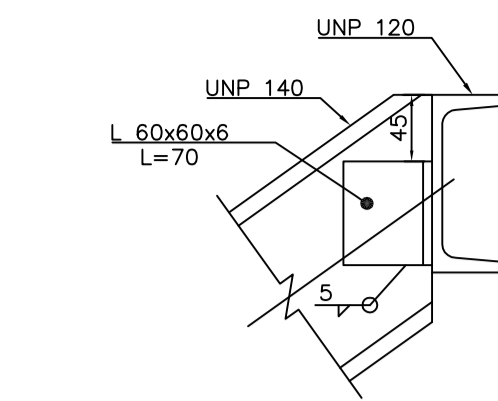
اسم و کلیه نسخ این نقشه و حق اقتباس متعلق به شرکت ملی مناطق نفت خیز جنوب میباشد.
THE ORIGINAL AND ALL COPIES OF THIS DRAWING TOGETHER WITH THE COPYRIGHT THEREIN ARE THE SOLE PROPERTY OF N.I.S.O.C./ FIELDS



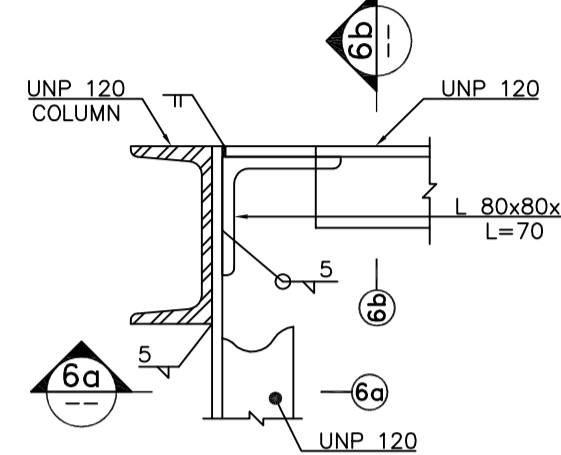
TYPICAL FIXED HANDRAIL
SC.1:10



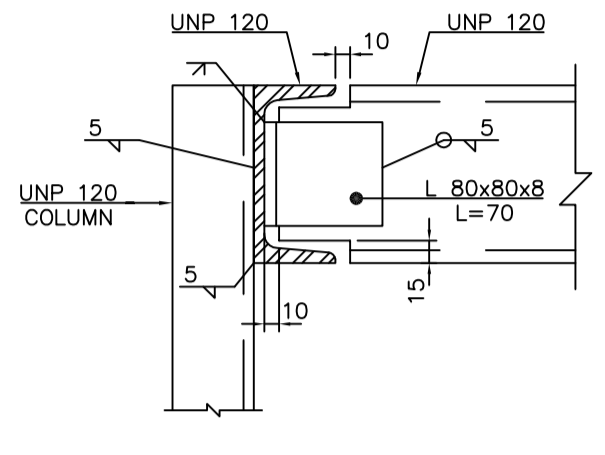
5
SC.1:5 1 OF 2



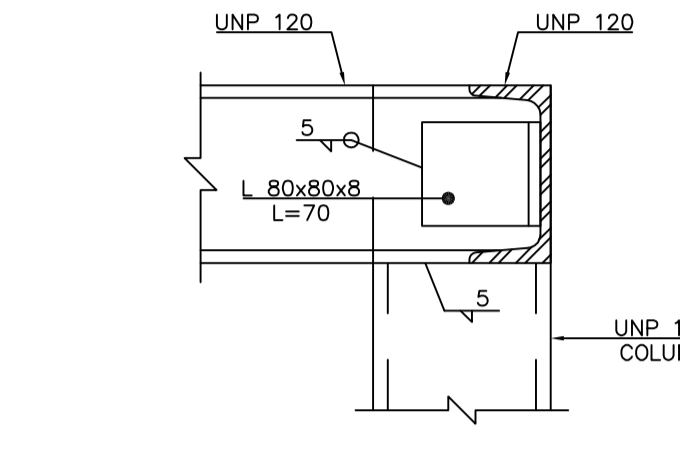
5a
SC.1:5



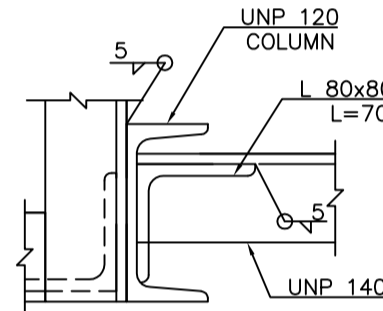
6
SC.1:5 1 OF 2



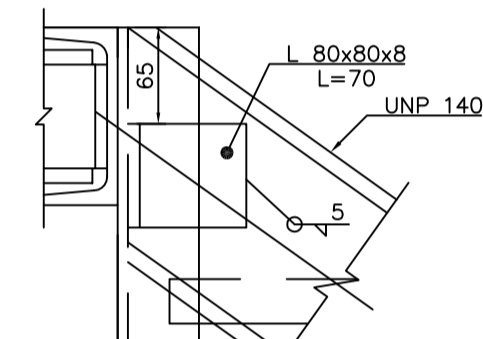
6a
SC.1:5



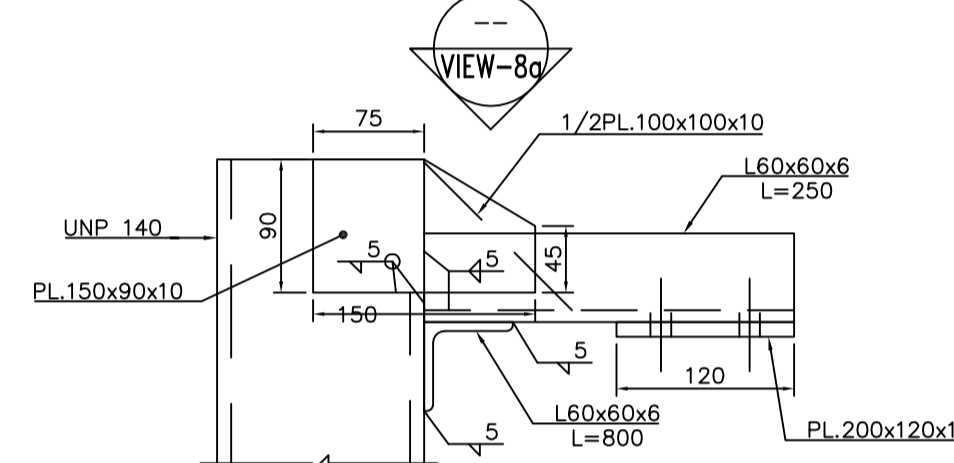
6b
SC.1:5



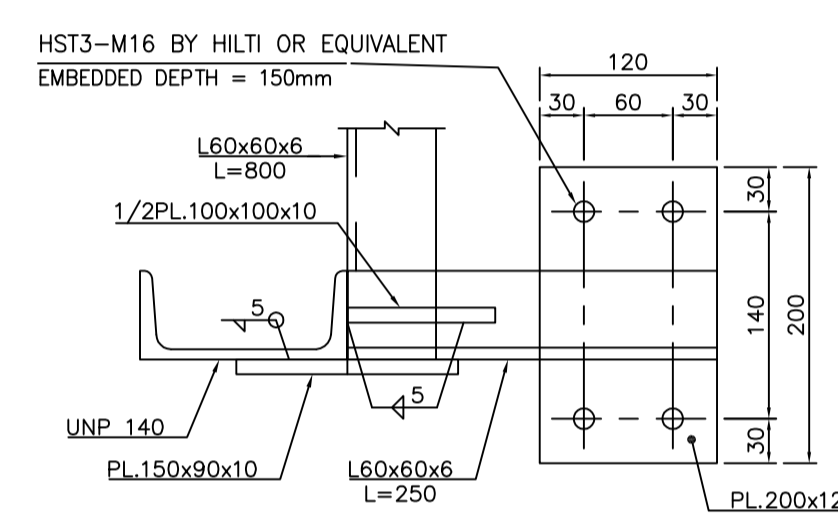
7
SC.1:5 1 OF 2



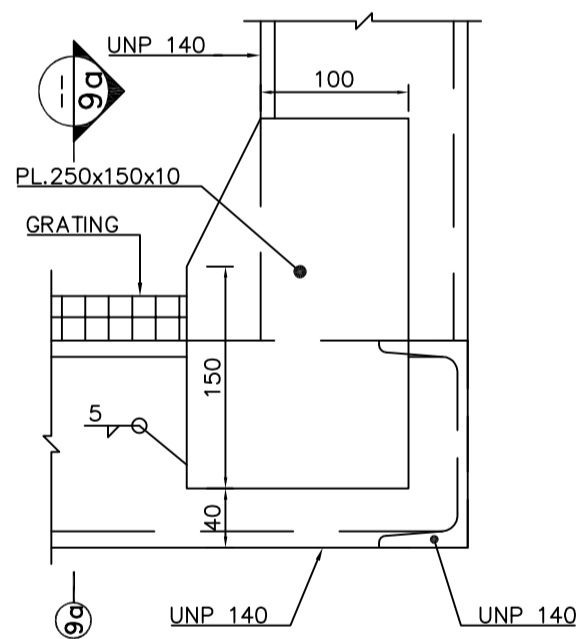
7a
SC.1:5



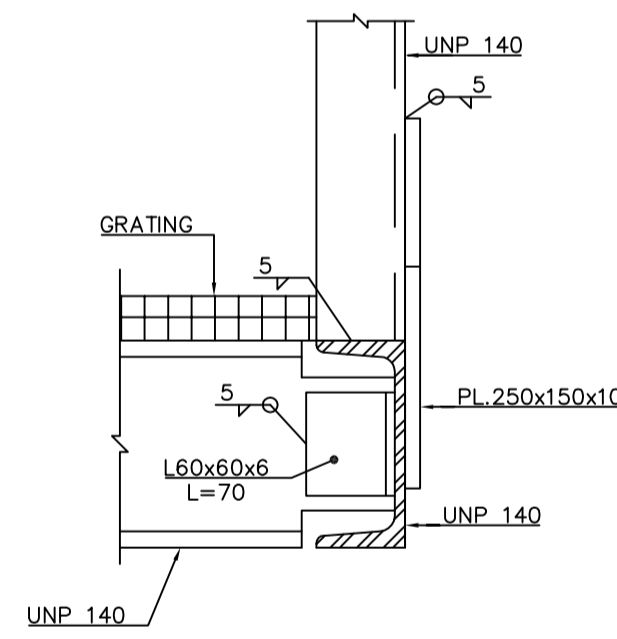
8
SC.1:5 1 OF 2



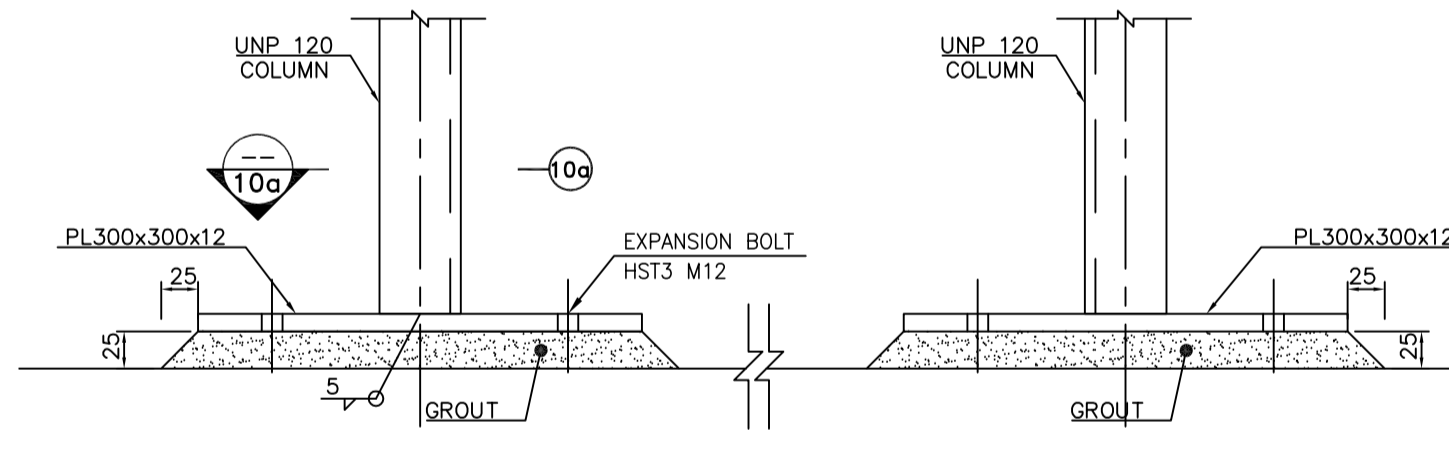
8a
SC.1:5



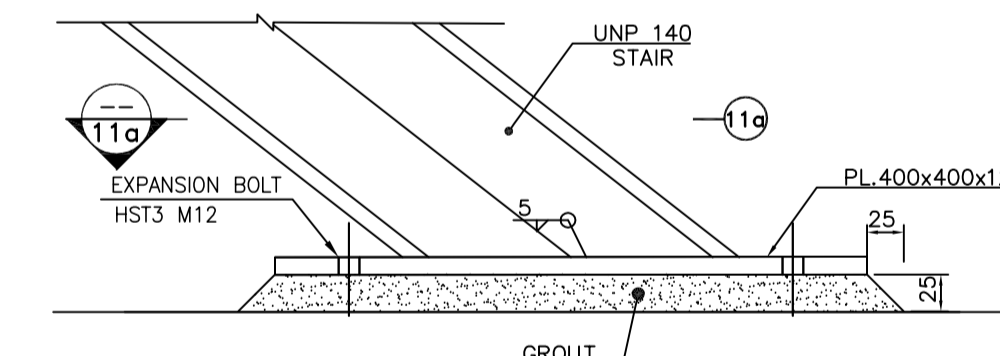
9
SC.1:5 1 OF 2



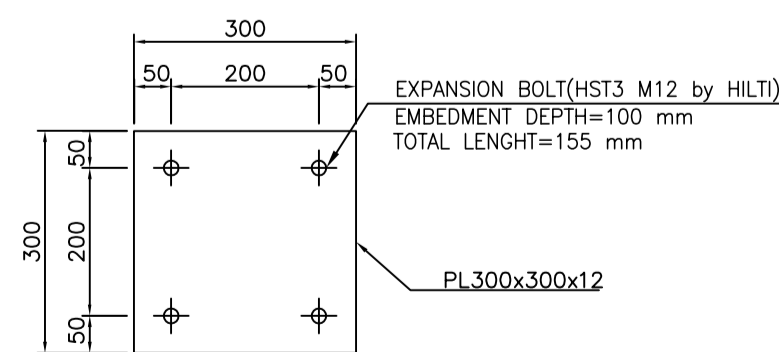
9a
SC.1:5



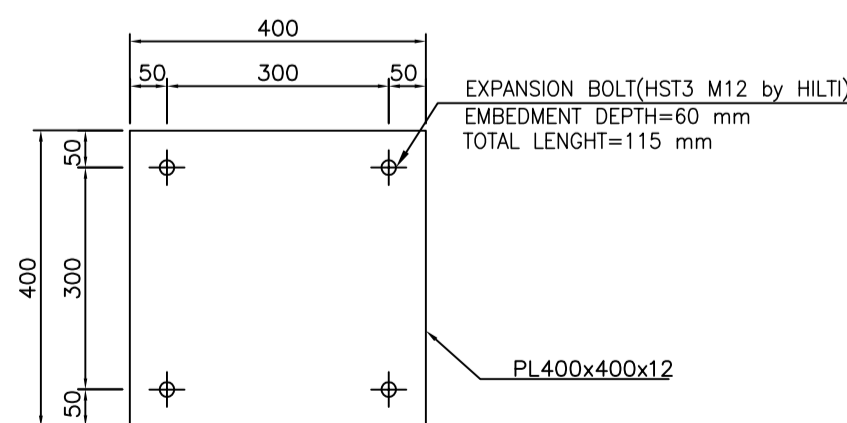
10
SC.1:5 1 OF 2



11
SC.1:5 1 OF 2



10a
SC.1:10



11a
SC.1:10

- NOTES
- 1) DIMENSIONS ARE IN "mm" AND ELEVATIONS IN "m" UNLESS SPECIFIED.
 - 2) ALL DIMENSIONS AND ELEVATIONS SHALL BE CHECKED BY THE CONTRACTOR PRIOR TO CONSTRUCTION.
 - 3) CONTRACTOR SHALL CHECK THE DRAWING WITH ALL ARCHITECTURAL, MECHANICAL, INSTRUMENT, PIPING & ELECTRICAL DRAWINGS BEFORE CONSTRUCTION AND ANY REQUIRED MODIFICATIONS SHALL BE CONSIDERED WITH PRIOR CLIENT APPROVAL.
 - 4) REFERENCE COORDINATES E=1000.000 , N=1000.000 REFER TO X=437440.362 , Y=3291914.119 UTM.

LEGEND

REFERENCE DRAWING	DRG. No.
STANDARD DRAWING FOR ANCHOR BOLTS	BK-GNRL-PEDCO-00-ST-DW-0002
STANDARD DRAWING FOR STEEL STAIRS	BK-GNRL-PEDCO-00-ST-DW-0003
STANDARD DRAWING FOR OPERATING PLATFORM	BK-GNRL-PEDCO-00-ST-DW-0005
STANDARD DRAWING FOR HANDRAIL	BK-GNRL-PEDCO-00-ST-DW-0006
GENERAL NOTES - STEEL STRUCTURES	BK-GNRL-PEDCO-00-ST-DW-0012
STANDARD DRAWING FOR STEEL FLOORING , GRATING & CHECKERED PLATE	BK-GNRL-PEDCO-00-ST-DW-0015
SPECIFICATION FOR ERECTION OF STEEL STRUCTURES	BK-GNRL-PEDCO-000-ST-SP-0005
SPECIFICATION FOR FABRICATION OF STEEL STRUCTURES	BK-GNRL-PEDCO-000-ST-SP-0003

KEY PLAN

REV.	DATE	P.O.I.S	PREP.	CHK.	APP.	AUT.	DESCRIPTION	BY	DATE	BY	DATE	
D03	JUL.2022	APC	R.BERLOUE	M.PAKHARIAN	A.M.MOHSENI	** **						
D02	JUN.2022	IFA	R.BERLOUE	M.PAKHARIAN	M.Mehrsbad	** **						
D01	APR.2022	IFC	R.BERLOUE	M.PAKHARIAN	M.Mehrsbad	** **						
D00	JAN.2022	IFC	R.BERLOUE	M.PAKHARIAN	M.Mehrsbad	** **						
REV.	DATE	P.O.I.S	PREP.	CHK.	APP.	AUT.	DESCRIPTION	CHECKED	REV. APPR.			
PROJECT NAME:							BINAK OILFIELD DEVELOPMENT/SUB-SURFACE WORK PACKAGES W018S WELLHEAD FACILITIES					
PROJECT NO.:							971020					
EPC CONTRACTOR:			EPD/EPC CONTRACTOR (GC):									
HIRGAN ENERGY			PETROIRAN DEVELOPMENT COMPANY									
HIRGAN ENERGY - DESIGN & INSPECTION COMPANIES			PEDCO									
DRAWING TITLE:			NO CONSTRUCTION PERMITTED UNLESS DRAWING APPROVED									
PLATFORM STRUCTURE DRAWING - W018S			APPROVED FOR CONSTRUCTION BY: DATE:									
SCALE	SIZE	DRAWING NO.		SHEET NO.	REV.	BUDGET REF.	LOCATION	SIZE	CLASS	SERIAL NO.	SHEET	REVISION
N.T.S.	A1	BK-W018S-PEDCO-110-ST-DW-0002		2 OF 2	D03	053-073-9184	F	4	M	707466	2 OF 2	D03

THE ORIGINAL AND ALL COPIES OF THIS DRAWING TOGETHER WITH THE COPYRIGHT THEREIN ARE THE SOLE PROPERTY OF N.I.S.O.C./ FIELDS