

ARCHITECTURAL LIST OF DRAWING

ID	DWG.NO.	SH.NO.	DWG TITLE
1	----	--	BASEMENT FLOOR PLAN
2	----	--	GROUND FLOOR PLAN
3	----	--	ROOF PLAN
4	----	--	ELEVATIONS
5	----	--	SECTIONS
6	----	--	WALL SECTIONS
7	----	--	LAYOUT
8	----	--	DETAILS
9	----	--	MISC. DETAILS
10	----	--	DOOR TYPE ELEVATIONS

لیست ها کامل و همخوان با جزئیات نمایش داده شده شوند و عنوان های فرعی هر شیت زیر عنوان اصلی درج و اضافه شوند

این لیست نمونه استاندارد لیست مدارک مختلف معماری مربوط به هم است

FINISHING SCHEDULE

RM No.	ROOM	FLOOR	BASE	WALL	CEILING	SUSPENDED CEILING	DESCRIPTION
1	----	---	---	---	---	---	---
2	----	---	---	---	---	---	---
3	----	---	---	---	---	---	---
4	----	---	---	---	---	---	---
5	----	---	---	---	---	---	---
6	----	---	---	---	---	---	---
7	----	---	---	---	---	---	---
8	----	---	---	---	---	---	---

در نقشه Architectural general note مجزایی ارائه میگردند یا در همین نقشه گنجانده خواهد شد

نوتهای مربوط به هر نقشه به طور کامل در همان مدرک ارائه خواهد شد

NOTES

- ALL DIMENSIONS ARE IN CENTIMETER & ALL ELEVATIONS ARE IN METER.
- ALL DIMENSIONS AND ELEVATIONS SHALL BE CHECKED BY THE CONTRACTOR PRIOR TO CONSTRUCTION.
- CONTRACTOR SHALL COMPARE ALL ARCHITECTURAL, MECHANICAL, ELECTRICAL, PIPING AND STRUCTURAL DRAWINGS AND IN CASE OF ANY CONFLICTS OR DISCREPANCY, INFORM THE ENGINEER.
- ALL MATERIALS ARE SELECTED FROM THE HIGHEST QUALITY.
- ALL OPENINGS FOR PIPING/CABLING SHALL BE CONSIDERED AS PER RELATED DRAWINGS BEFORE CONSTRUCTION.

LEGEND

REFERENCE DRAWING	DRG. No.
.....

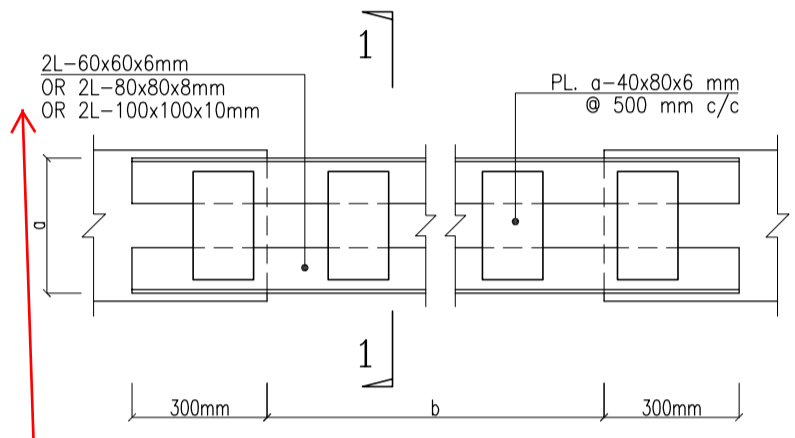
KEY PLAN

GENERAL SYMBOLS FOR MATERIAL SECTION

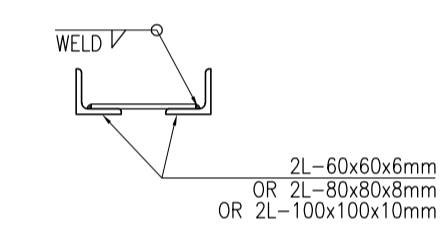
	BRICK WALL		COMPACTED SOIL
	LECA BLOCK WALL		STONE
	CEMENT BLOCK WALL		THERMAL INSULATION
	CONCRETE WALL OR CEILING OR FLOORS		TILE
	LIGHT WEIGHT CONCRETE		BLOCKAGE
	SAND CEMENT MORTAR		GRAVEL
	LEAN CONCRETE		CHEQUERED PLATE
	FACE BRICK		POLYETHYLENE SHEET 0.4mm AS VAPOR BARRIER

GENERAL SYMBOLS

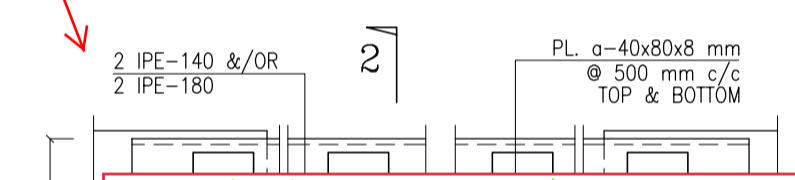
DOOR & WINDOW TYPE		WINDOW TYPE		
		DOOR TYPE		
		ROOM NUMBER		
		SECTION REFERENCE		
		ELEVATION REFERENCE		
		ELEVATION CODE ON PLAN		
		ELEVATION CODE ON SECTION		
		REVISION		
		AXE NUMBER		
	ABBREVIATION	F.G.L.	FINISH GRADING LEVEL	T.O.P.
F.F.L.		FINISHED FLOOR	B.O.PIT	BOTTOM OF PIT
T.O.C.		TOP OF CONCRETE	AL.W	ALUMINIUM WINDOW
T.O.S.		TOP OF SLAB	U.W.	UPVC WINDOW
T.O.WA.		TOP OF WALKWAY	M.D.	METAL DOOR
T.O.D.		TOP OF DOOR	M.P.D.	METAL PANIC DOOR
T.O.W.		TOP OF WINDOW	AL.D.	ALUMINIUM DOOR
T.O.T.		TOP OF THE BEAM	U.D.	UPVC DOOR
T.O.F.		TOP OF FOUNDATION	GL.D.	GLASS DOOR
T.O.B.		TOP OF BEAM	W.D.	WOOD DOOR
T.O.SH.		TOP OF SHADER	VAR.	VARIABLE
T.O.O.		TOP OF OPENING	T	TYPE
T.O.P.		TOP OF PARAPET	PL	PLATE
T.O.GR.		TOP OF GRATING	cm	CENTIMETER
T.O.CHEQ.		TOP OF CHEQUERED PLATE	m	METER
T.O.F.F.		TOP OF FALSE FLOOR	mm	MILLIMETER
T.O.STR.		TOP OF STRUCTURE		
B.O.O.		BOTTOM OF OPENING		
B.O.B.		BOTTOM OF BEAM		
C.O.S.		CENTER OF SLEEVE		
B.O.S.		BOTTOM OF SLEEVE		
C.O.P.		CENTER OF PIPE		
B.O.P.		BOTTOM OF PIPE		



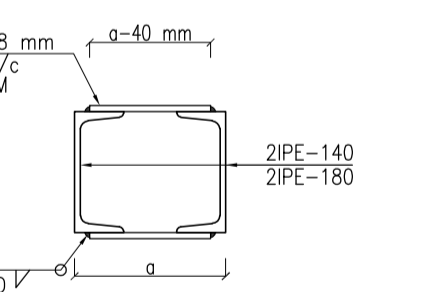
LINTEL PLAN -2L
Sc: N.T.S.



TYP. SECTION 1-1
Sc: 1:5



LINTEL PLAN -2 IPE
Sc: N.T.S.



TYP. SECTION 2-2
Sc: 1:10

نمونه بندی ها هر یک در کجا کاربرد دارند ؟ مشخص و یا جدول بندی گردد

معرف چیست؟ b

این باکس مربوط به جزئیات لینتل بوده و به محل صحیح آن منتقل شده است

جزئیات قاعدتا از صفحه بعد می بایست ارائه شود

اعمال گردید

(VENDOR TITLE BLOCK)**

REV.	DATE	DESCRIPTION	BY	DATE	BY	DATE
000
001

اسم و کلیه نسخ این نقشه و حق اقتباس متعلق به شرکت ملی مناطق نفت خیز جنوب میباشد.

THE ORIGINAL AND ALL COPIES OF THIS DRAWING TOGETHER WITH THE COPYRIGHT THEREIN ARE THE SOLE PROPERTY OF N.I.S.O.C./ FIELDS

PROJECT NAME: BINAK OILFIELD DEVELOPMENT/SURFACE FACILITIES GAS COMPRESSOR STATION

PROJECT NO.: 971020

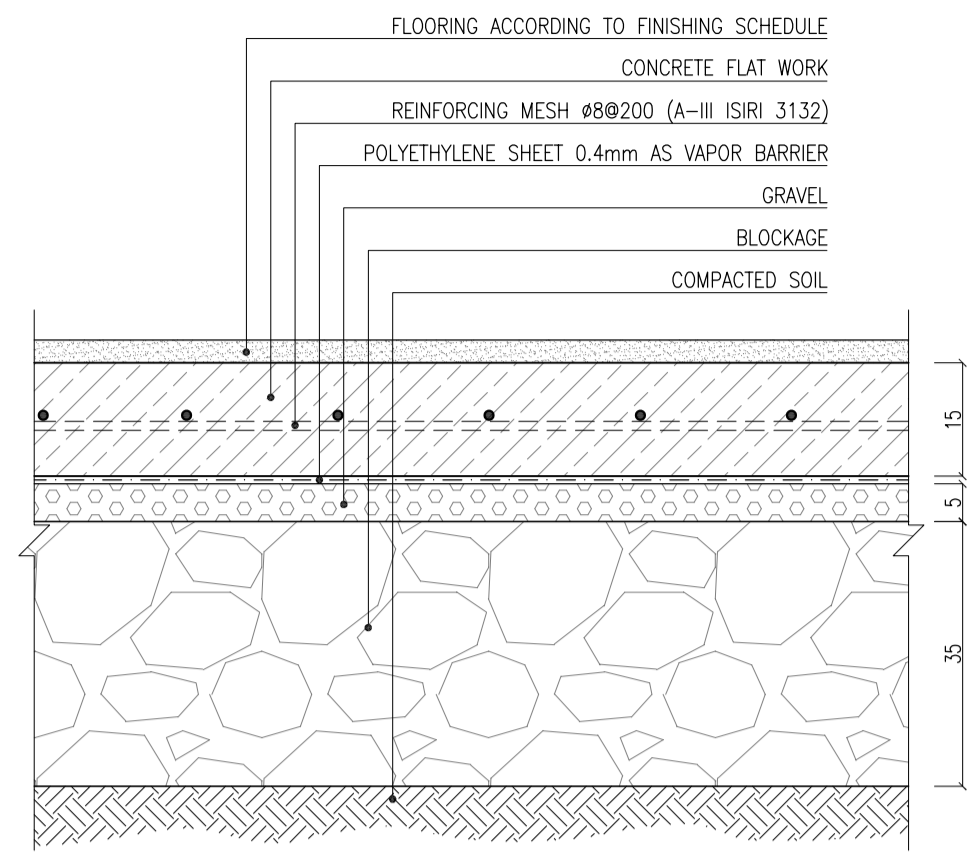
EPC CONTRACTOR: HIRGAN ENERGY COMPANIES

EPD/EPC CONTRACTOR (GC): PETROIRAN DEVELOPMENT COMPANY

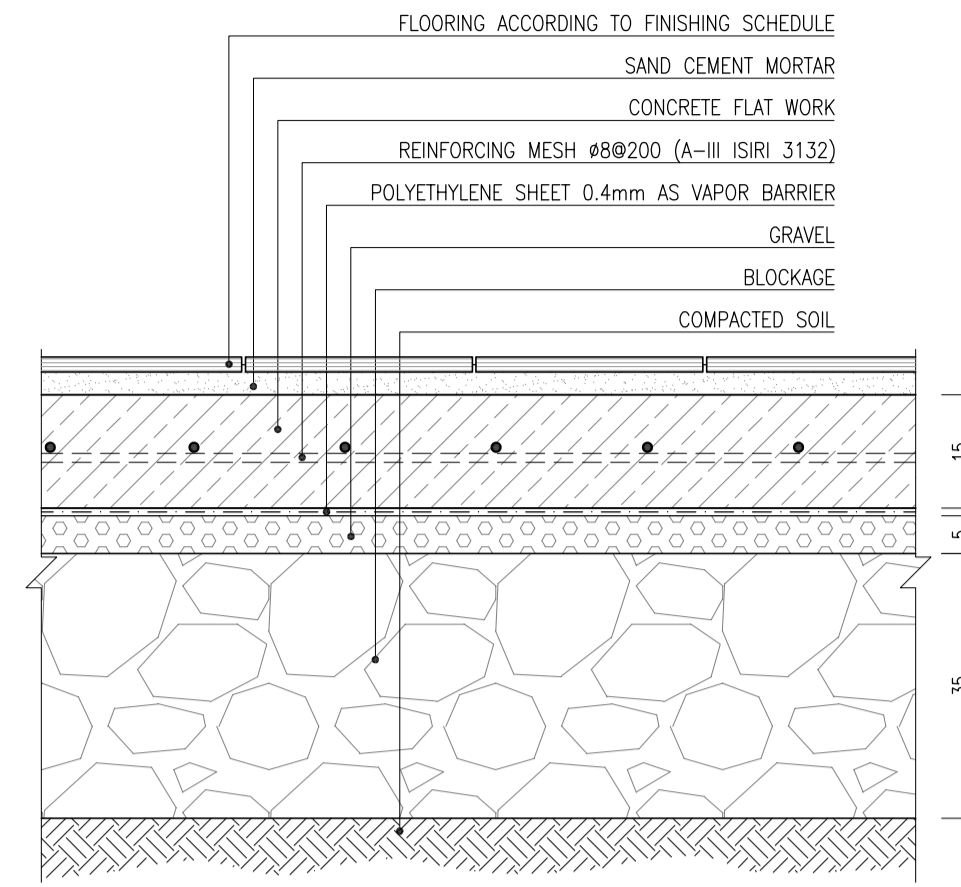
DRAWING TITLE: STANDARD DRAWING FOR ARCHITECTURAL DETAILS

SCALE	SIZE	DRAWING NO.	SHEET NO.	REV.
.....	A1	BK-GNRL-PEDCO-000-AR-DW-0001	01 OF 19	D00

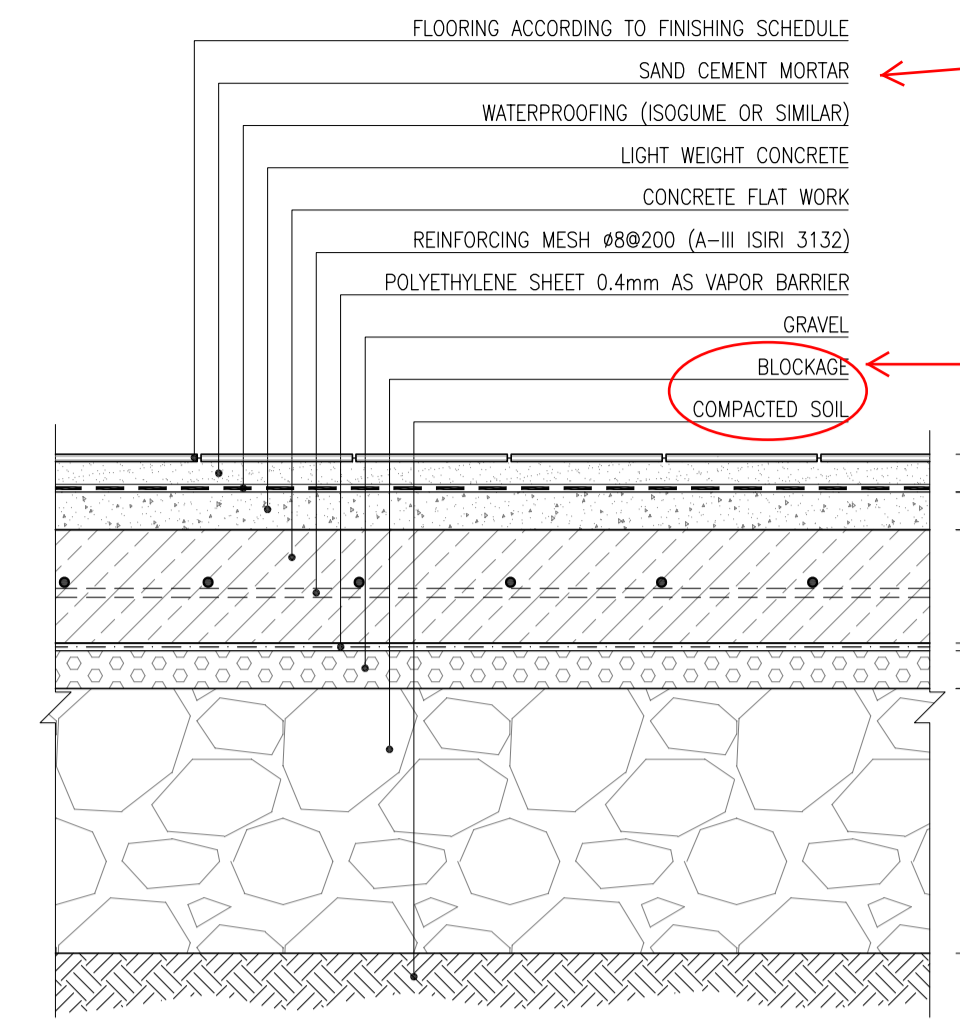
BUDGET REF.	LOCATION	SIZE	CLASS	SERIAL NO.	SHEET	REVISION
.....						



FLOORING DETAIL (GROUND FLOOR)
Sc:1/10 DETAIL-01



FLOORING DETAIL (GROUND FLOOR)
Sc:1/10 DETAIL-02



FLOORING DETAIL (GROUND FLOOR)
Sc:1/10 WET AREA DETAIL-03

نسبت سیمان - ماسه؟
مقاومت بتن
سایز کوبیده - پشینه سنگ
ها
درصد تراکم
ضخامت لایه ها برای کلیه
دیتیل ها تعریف و مشخص
گردد
اعمال گردید

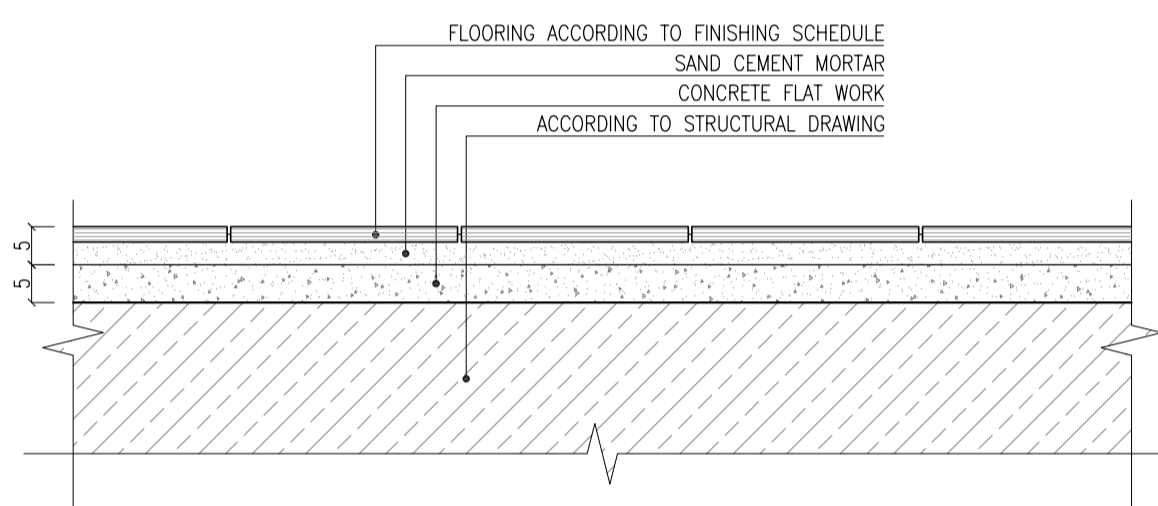
درج شود: کلیه ماتریال می
بایست از قبل به تایید
کارفرما رسد

اعمال گردید

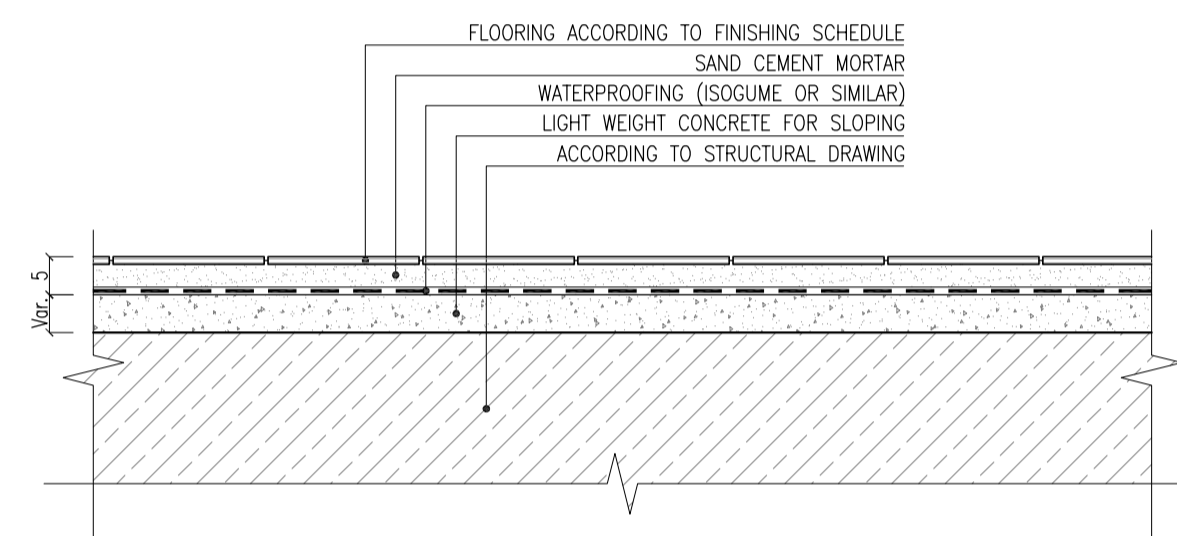
- NOTES**
- ALL DIMENSIONS ARE IN CENTIMETER & ALL ELEVATIONS ARE IN METER.
 - ALL DIMENSIONS AND ELEVATIONS SHALL BE CHECKED BY THE CONTRACTOR PRIOR TO CONSTRUCTION.
 - CONTRACTOR SHALL COMPARE ALL ARCHITECTURAL, MECHANICAL, ELECTRICAL, PIPING AND STRUCTURAL DRAWINGS AND IN CASE OF ANY CONFLICTS OR DISCREPANCY, INFORM THE ENGINEER.
 - ALL MATERIALS ARE SELECTED FROM THE HIGHEST QUALITY.
 - ALL OPENINGS FOR PIPING/CABLING SHALL BE CONSIDERED AS PER RELATED DRAWINGS BEFORE CONSTRUCTION.

LEGEND

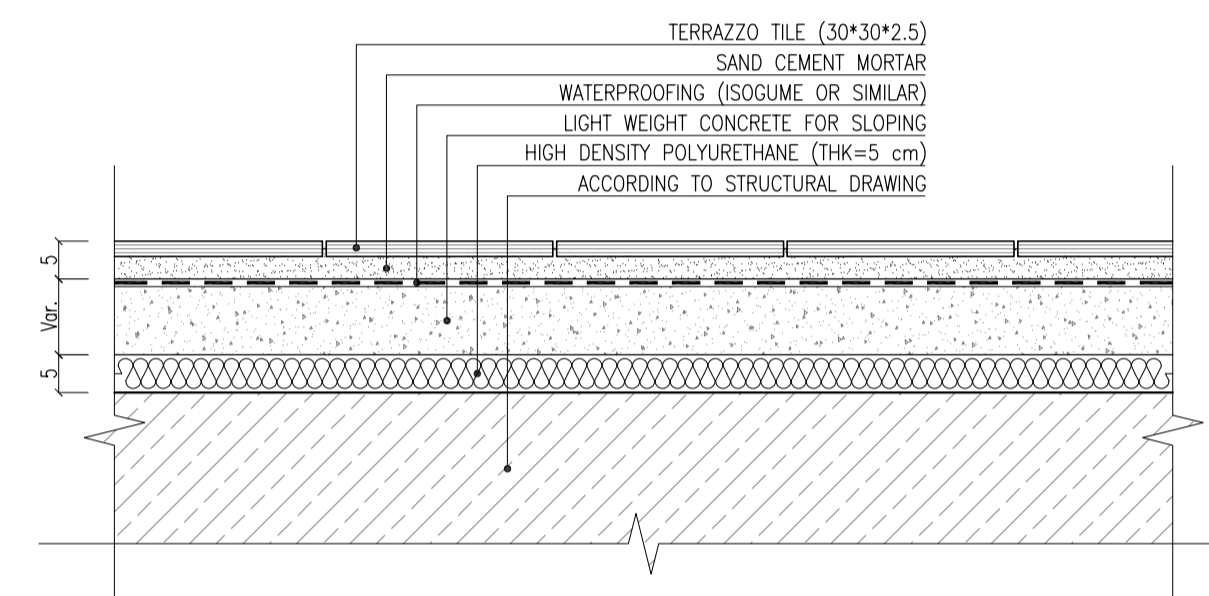
REFERENCE DRAWING	DRG. No.
*****	*****



FLOORING DETAIL (FLOORS)
Sc:1/10 DETAIL-04



FLOORING DETAIL (FLOORS)
Sc:1/10 DETAIL-05



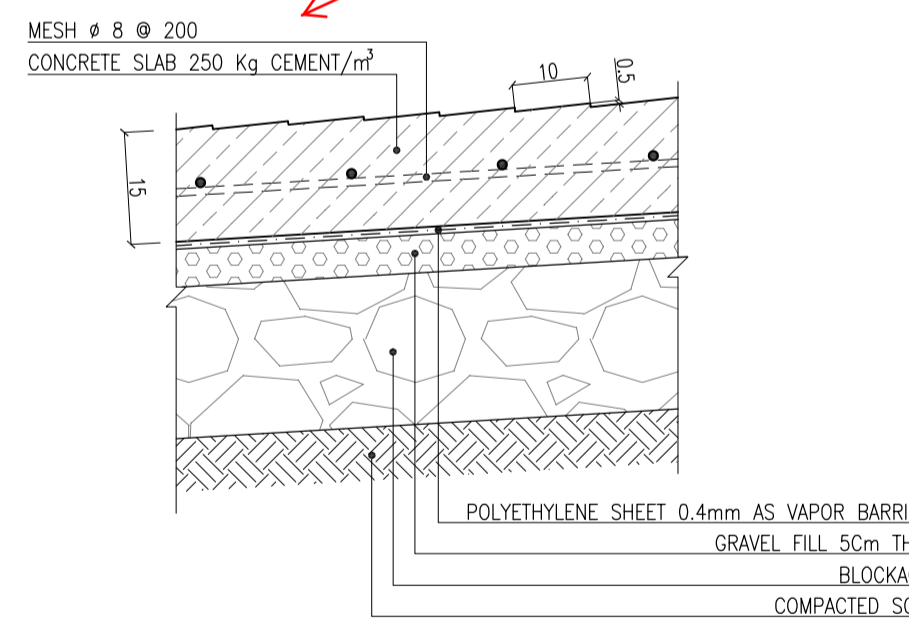
ROOF FLOOR DETAIL
Sc:1/10 DETAIL-06

مقاومت کلیه بتن و میلگرد ها مطابق جدول
توافق شده قبلی ماتریال مصرفی اصلاح شود
با توجه به شرایط خوردگی محیط: مقاومت
بتن حداقل 30 مگاپاسکال و آرماتور ها
مصرفی شود S400

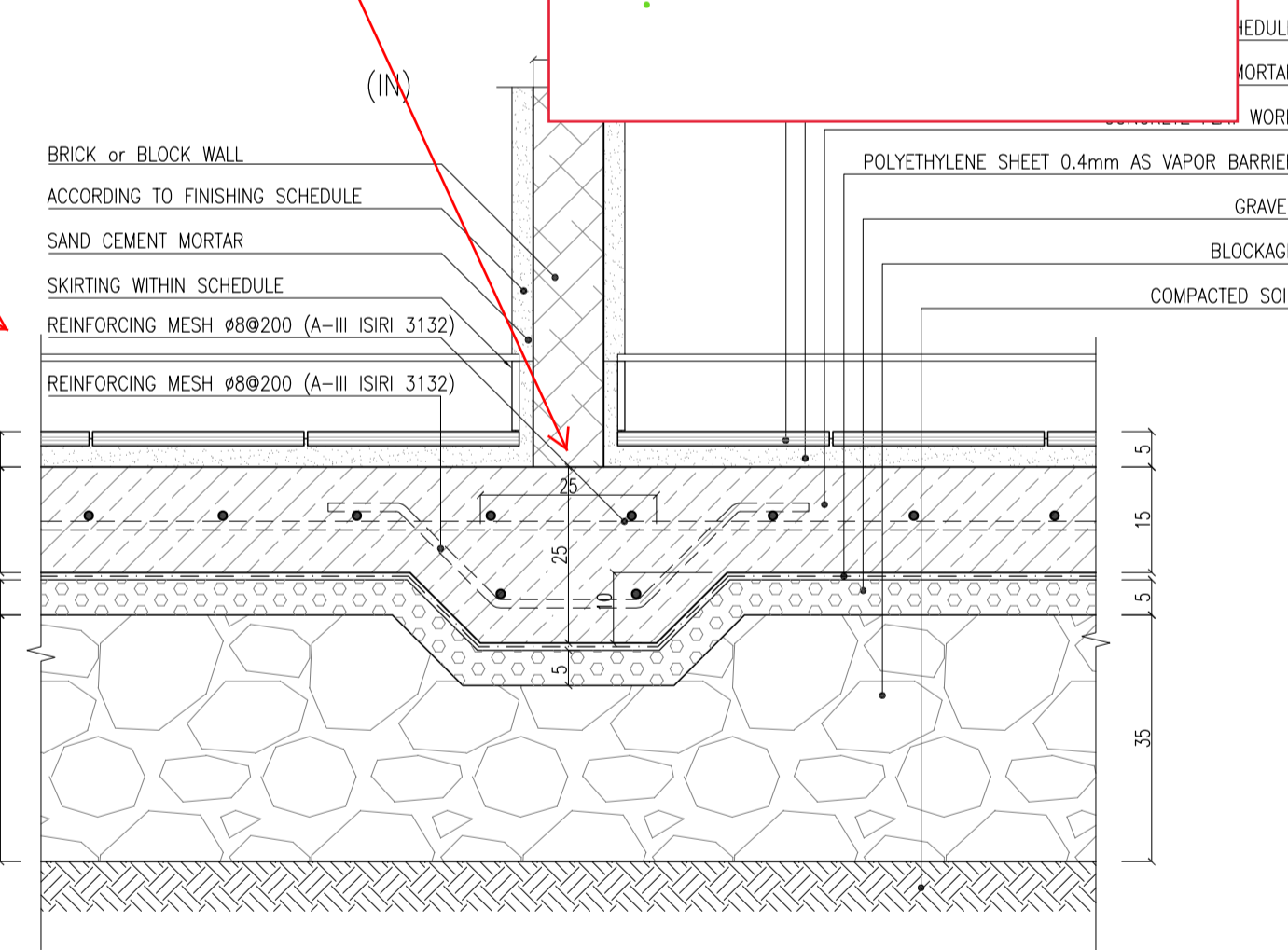
اعمال گردید

برای کلیه دیوارها: آیا
WALLPOST داریم و
با روش دوخت توسط
ایمیلگرد و ورق اتصال؟

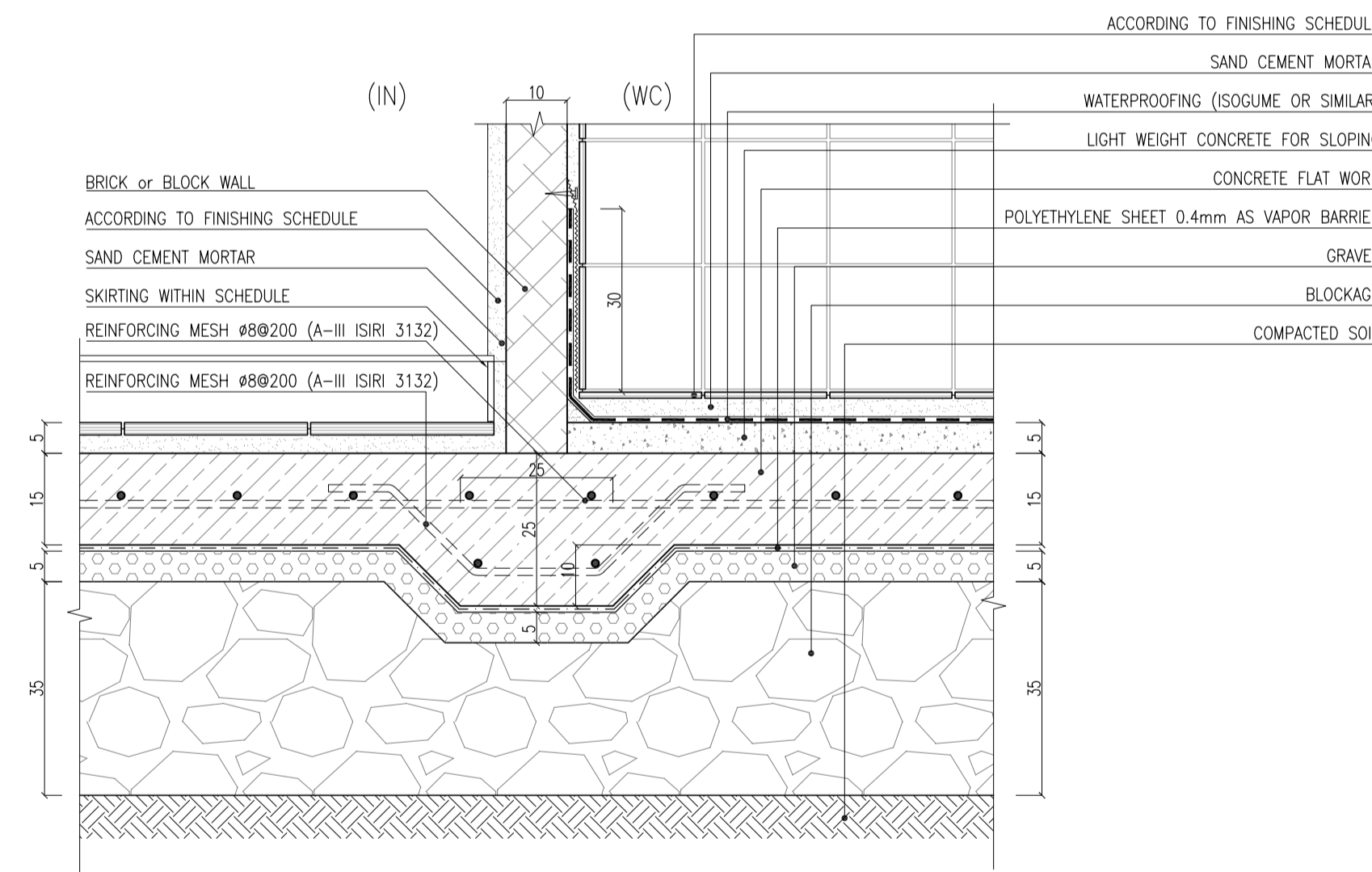
در ساختمان های پروژه به طور
عام جزییات میلگرد بستر آورده شده
است.



RAMP DETAIL
Sc:1/10 DETAIL-07



INTERNAL WALL DETAIL (GROUND FLOOR)
Sc:1/10 DETAIL-08



INTERNAL WALL DETAIL (GROUND FLOOR)
Sc:1/10 WET AREA DETAIL-09

KEY PLAN

REV.	DESCRIPTION	BY	DATE	BY	DATE
D00	DEC.2021	IPC	R.BRRLAUIE	M.FAKHARIAN	M.Mehrshad
REV.	DATE	P.O.I.S	PREP.	CHK.	APP.
PROJECT NAME: BINAK OILFIELD DEVELOPMENT/SURFACE FACILITIES GAS COMPRESSOR STATION					
PROJECT NO.: 971020					
EPC CONTRACTOR:			EPD/EPC CONTRACTOR (GC):		
HIRGAN ENERGY - DESIGN & INSPECTION COMPANIES			PETROIRAN DEVELOPMENT COMPANY		
DRAWING TITLE: STANDARD DRAWING FOR ARCHITECTURAL DETAILS					
NO CONSTRUCTION PERMITTED UNLESS DRAWING APPROVED					
APPROVED FOR CONSTRUCTION BY: DATE:					
BUDGET REF.	LOCATION	SIZE	CLASS	SERIAL NO.	REVISION
*****	A1	BK-GNRL-PEDCO-000-AR-DW-0001	02 OF 19	D00	

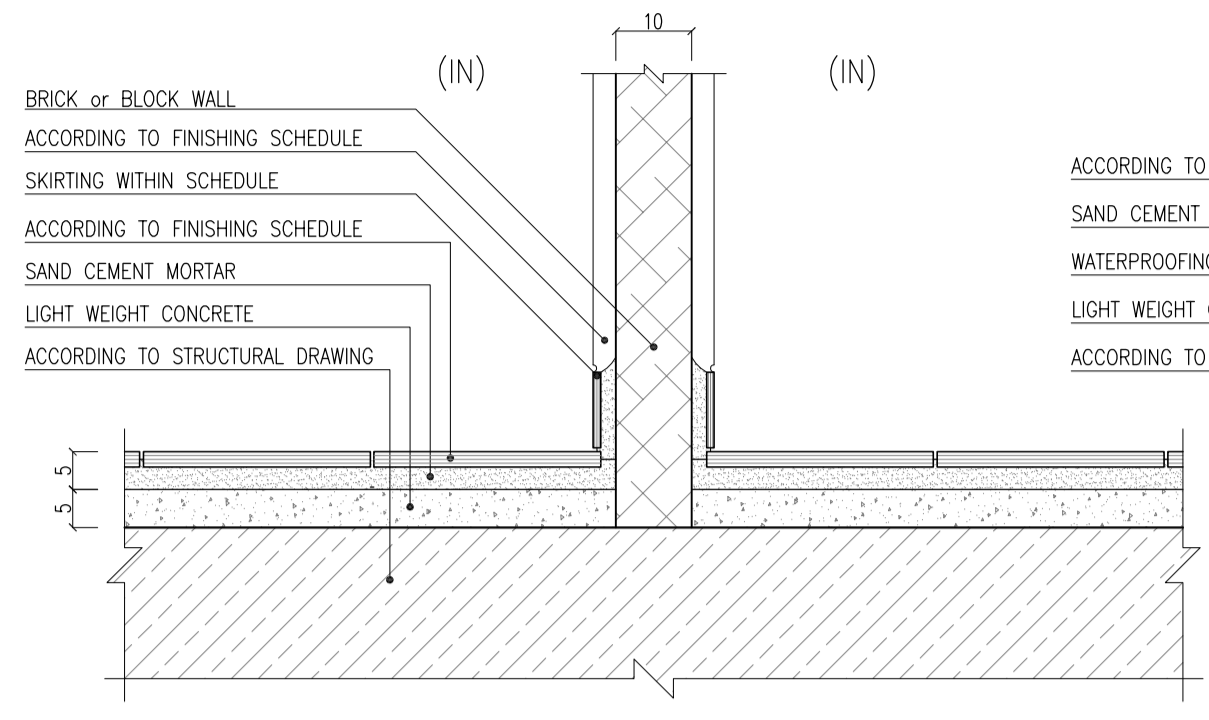


THE ORIGINAL AND ALL COPIES OF THIS DRAWING TOGETHER WITH THE COPYRIGHT THEREIN ARE THE SOLE PROPERTY OF N.I.S.O.C./ FIELDS

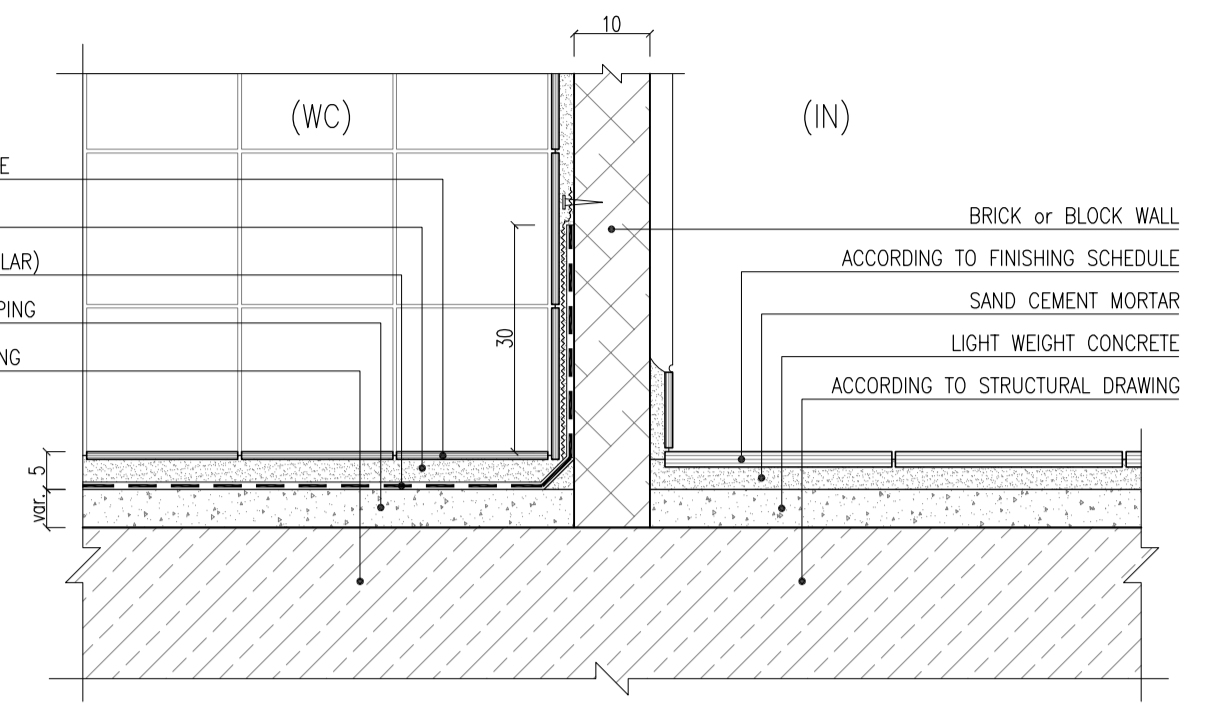
BINAK OILFIELD DEVELOPMENT SURFACE FACILITIES GAS COMPRESSOR STATION

DATE	SCALE	DRAWING BY	CHECKED BY	PROJECT ENG.
------	-------	------------	------------	--------------

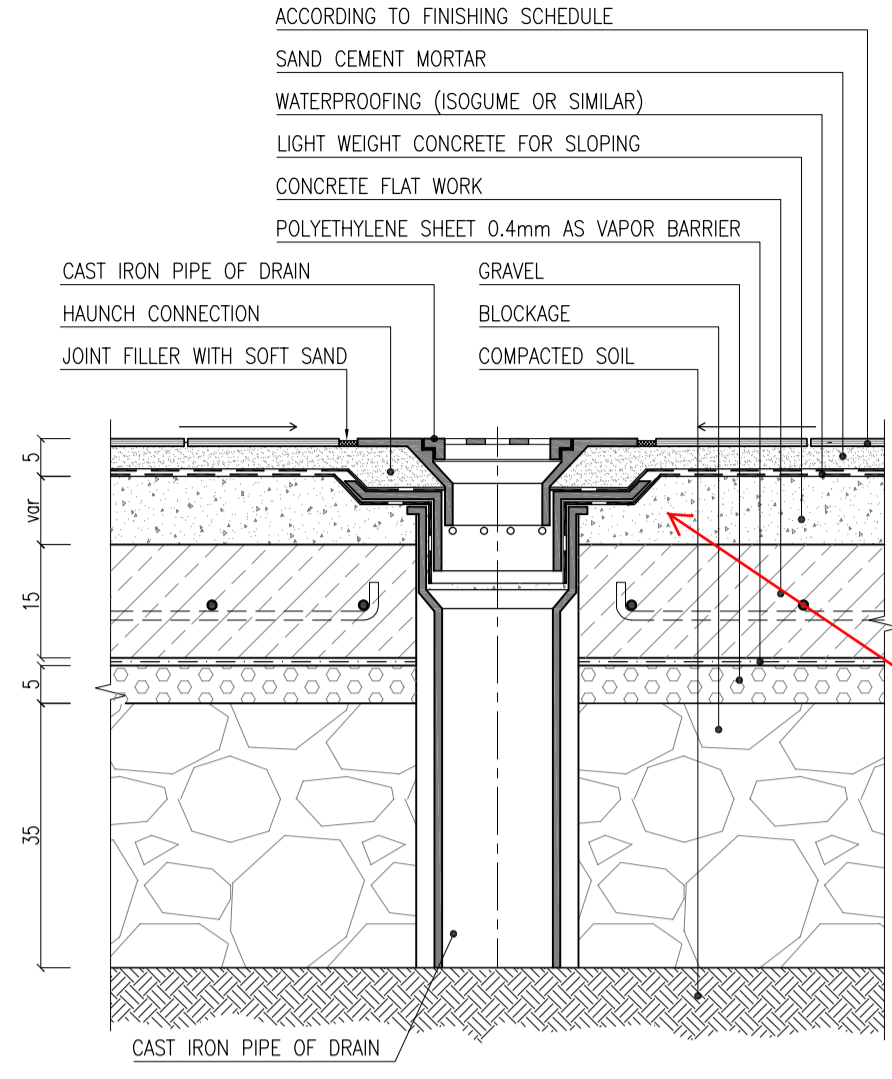
(VENDOR TITLE BLOCK)**



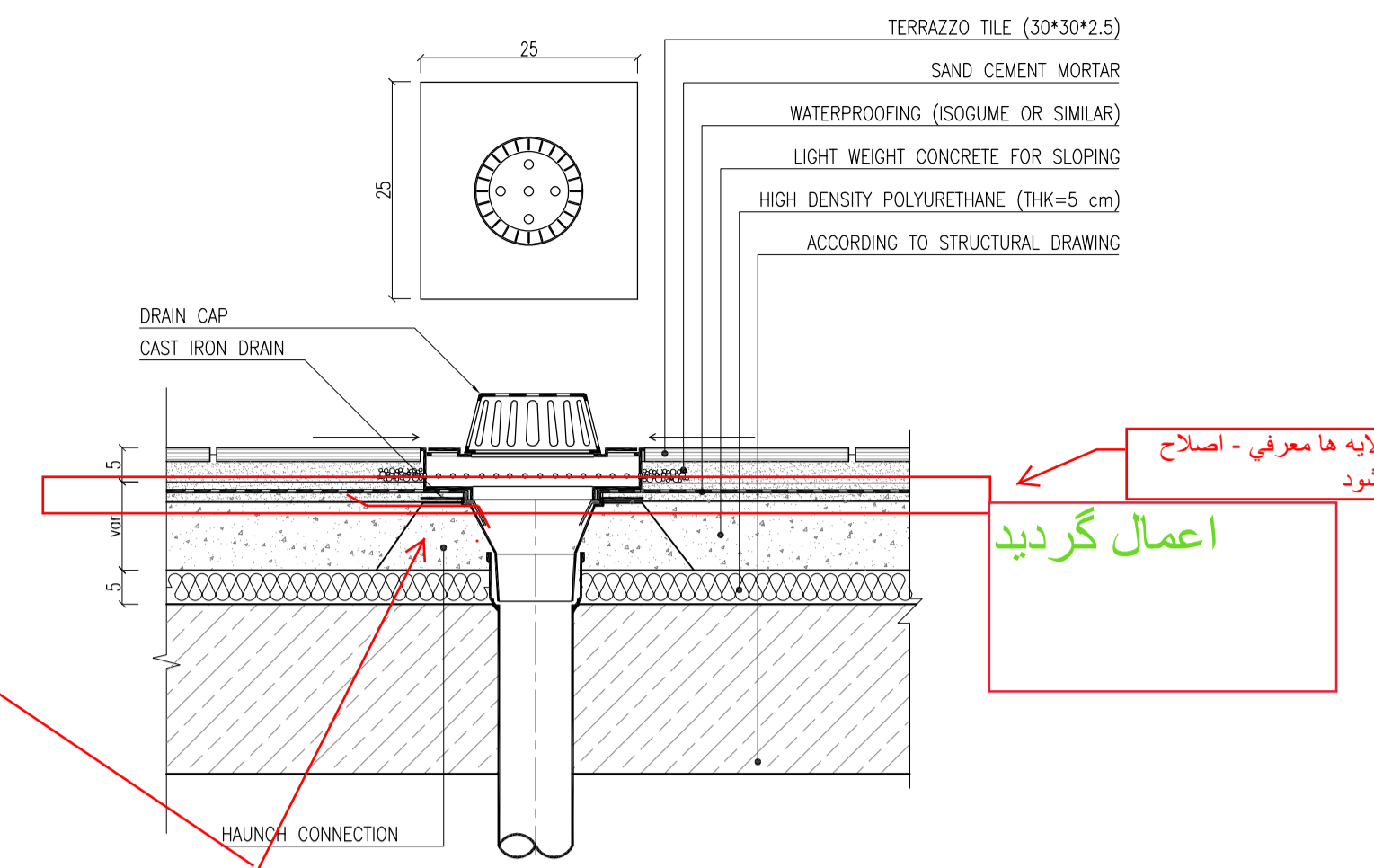
INTERNAL WALL DETAIL (FLOORS)
Sc:1/10 DETAIL-10



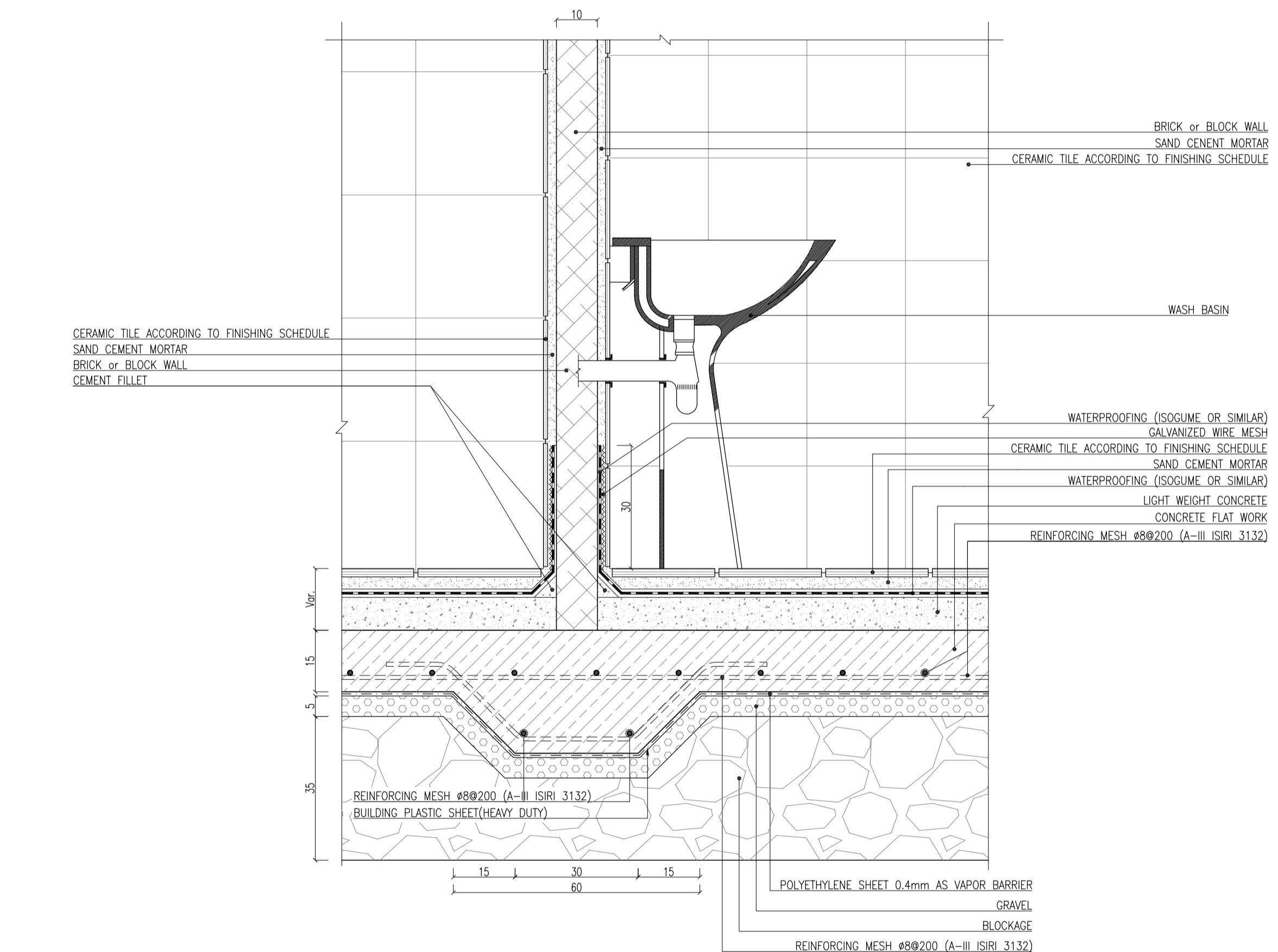
INTERNAL WALL DETAIL (FLOORS)
Sc:1/10 WET AREA DETAIL-11



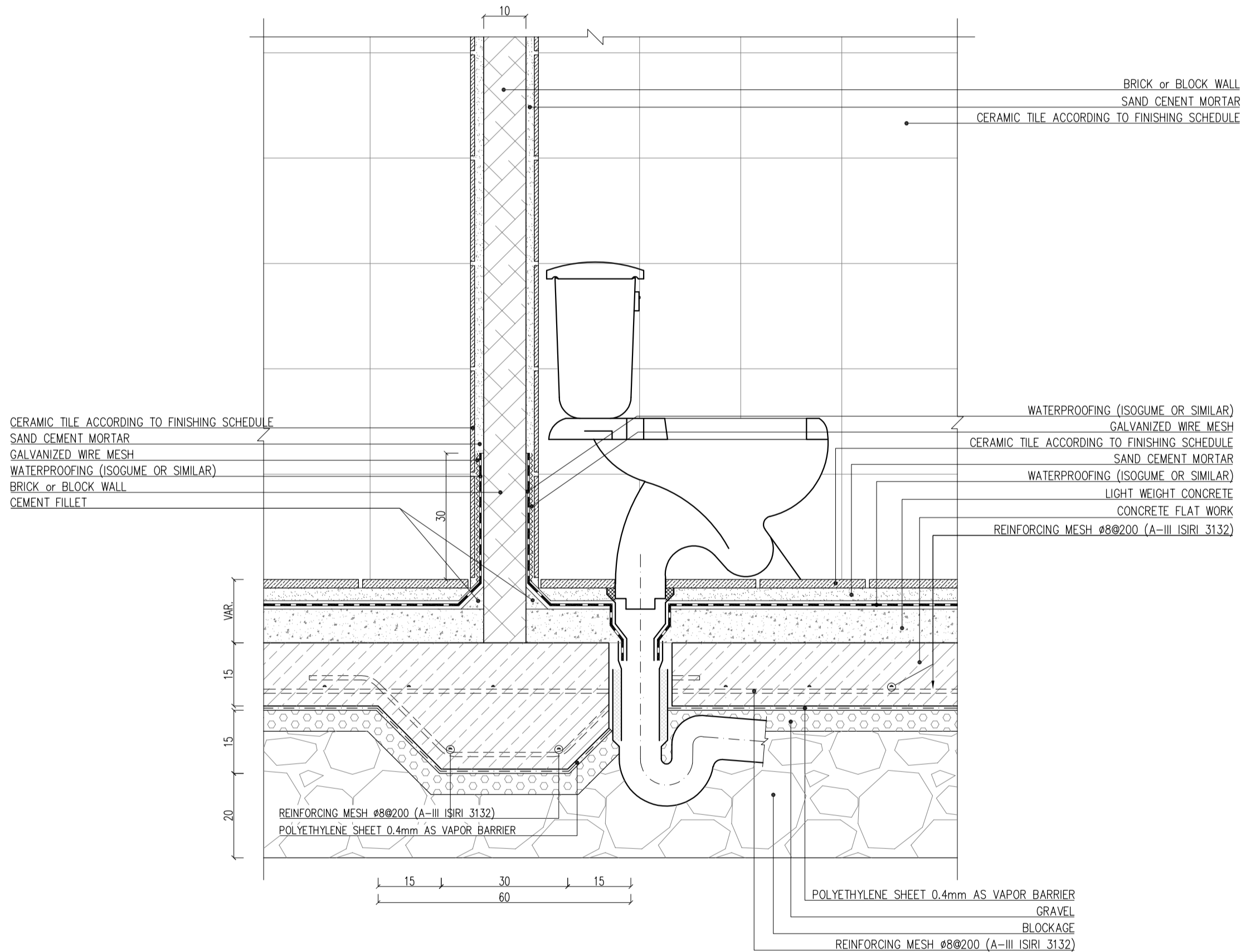
DRAIN DETAIL (GROUND FLOORS)
Sc:1/10 DETAIL-12



DRAIN
Sc:1/10 DETAIL-13



BASIN INSTALLATION DETAIL
Sc:1/10 DETAIL-14



TOILET BOWL INSTALLATION DETAIL
Sc:1/10 DETAIL-15

- NOTES**
1. ALL DIMENSIONS ARE IN CENTIMETER & ALL ELEVATIONS ARE IN METER.
 2. ALL DIMENSIONS AND ELEVATIONS SHALL BE CHECKED BY THE CONTRACTOR PRIOR TO CONSTRUCTION.
 3. CONTRACTOR SHALL COMPARE ALL ARCHITECTURAL, MECHANICAL, ELECTRICAL, PIPING AND STRUCTURAL DRAWINGS AND IN CASE OF ANY CONFLICTS OR DISCREPANCY, INFORM THE ENGINEER.
 4. ALL MATERIALS ARE SELECTED FROM THE HIGHEST QUALITY.
 5. ALL OPENINGS FOR PIPING/CABLING SHALL BE CONSIDERED AS PER RELATED DRAWINGS BEFORE CONSTRUCTION.

LEGEND

REFERENCE DRAWING	DRG. No.
*****	*****

KEY PLAN

لطفا مطابق جزئیات مورد نیاز پروژه، جزئیات کنترل و اطلاعات تکمیلی حسب نیاز مطابق نیازمندیها گنجانده شود: سینک و ...

اعمال گردید

REV.	DESCRIPTION	BY	DATE	BY	DATE
001	*****	*****	*****	*****	*****

اسم و کلیه نواح این نقشه و حق اقتباس متعلق به شرکت ملی مناطق نفت خیز جنوب میباشد.

THE ORIGINAL AND ALL COPIES OF THIS DRAWING TOGETHER WITH THE COPYRIGHT THEREIN ARE THE SOLE PROPERTY OF N.I.S.O.C./ FIELDS

HIRGAN ENERGY - DESIGN & INSPECTION COMPANIES

PETROIRAN DEVELOPMENT COMPANY

BINAK OILFIELD DEVELOPMENT SURFACE FACILITIES GAS COMPRESSOR STATION

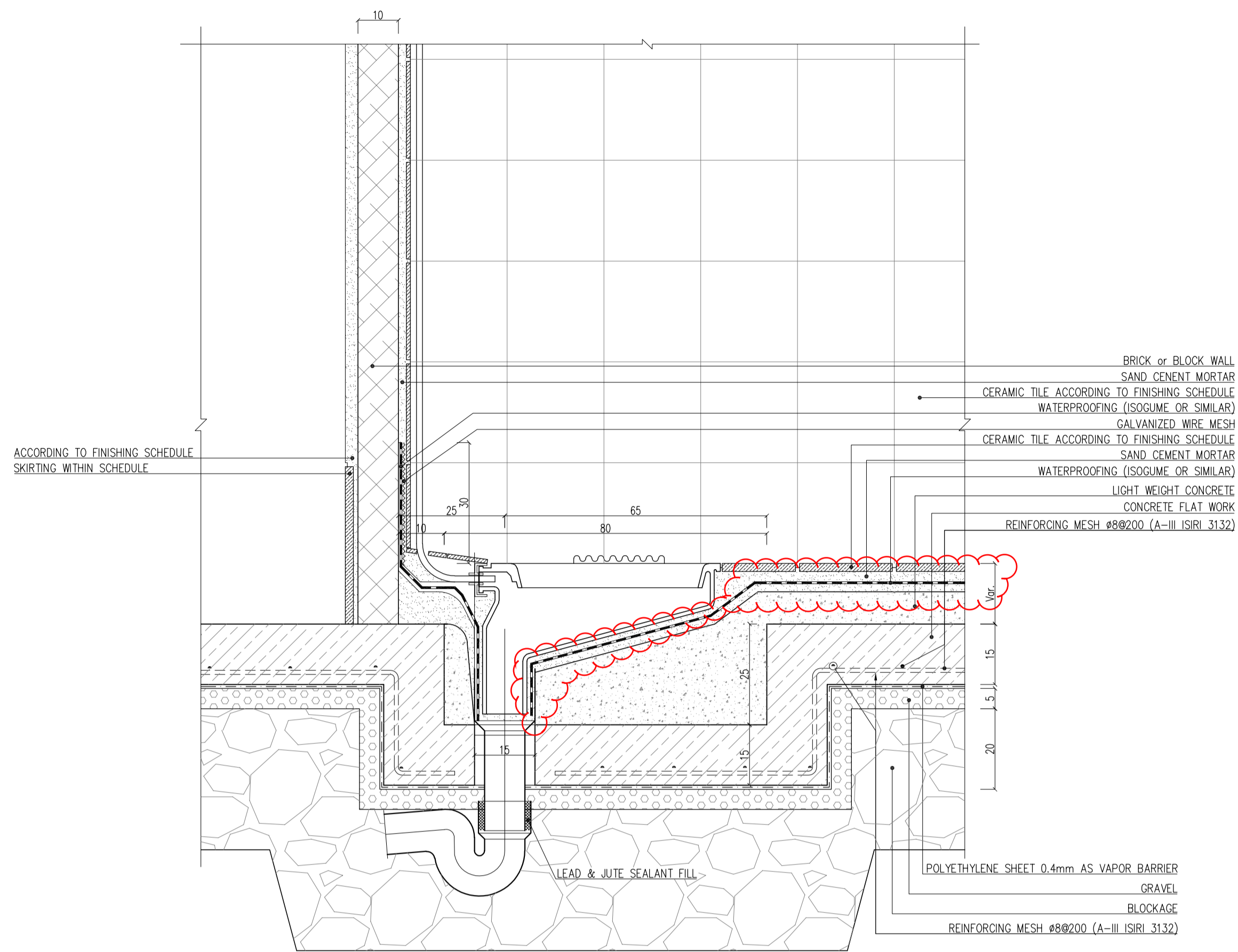
DATE	SCALE	DRAWING BY	CHECKED BY	PROJECT ENG.

NO CONSTRUCTION PERMITTED UNLESS DRAWING APPROVED

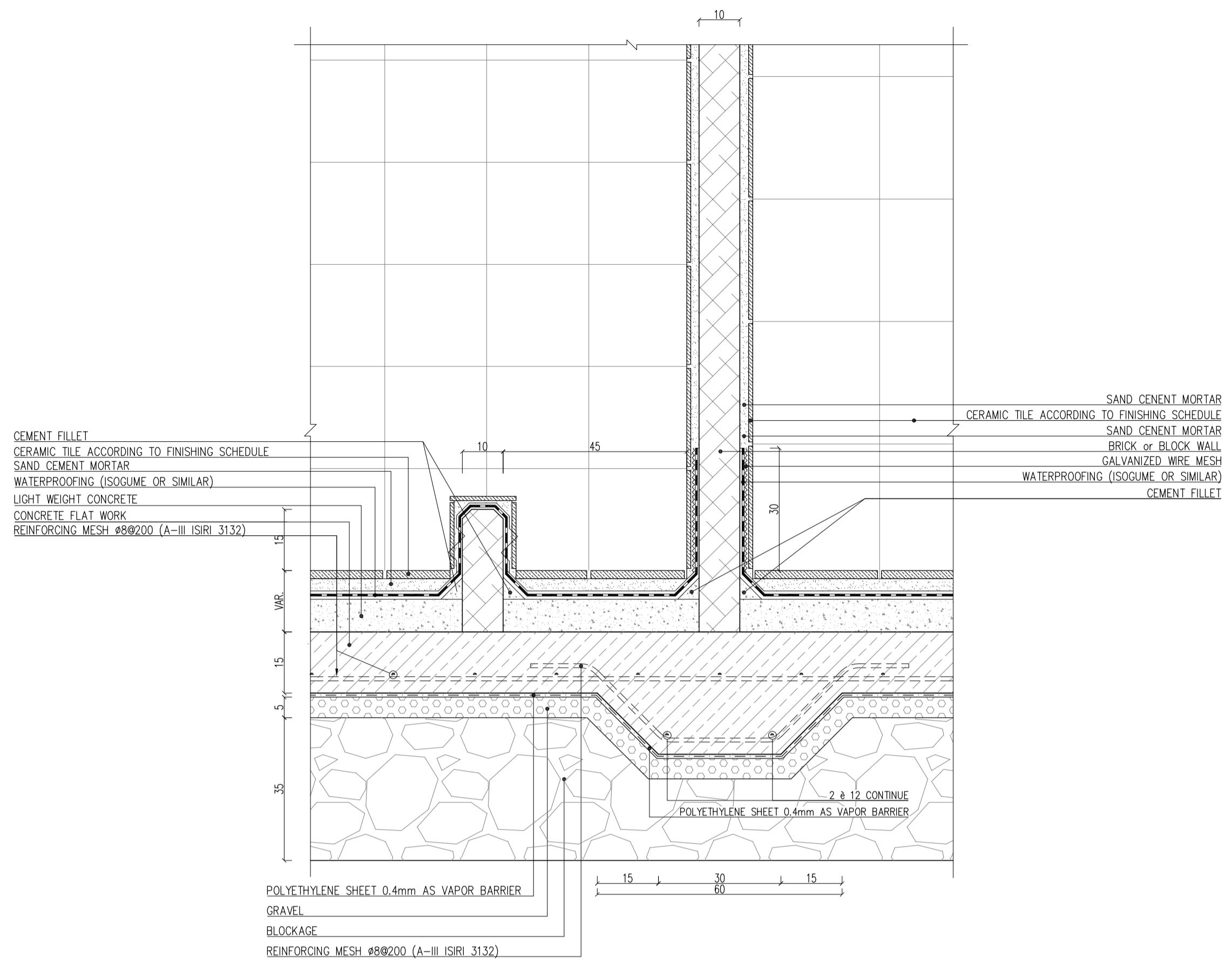
APPROVED FOR CONSTRUCTION	BY:	DATE:

BUDGET REF.	LOCATION	SIZE	CLASS	SERIAL NO.	SHEET	REVISION
*****	A1	BK-GNRL-PEDCO-000-AR-DW-0001	03 OF 19	D00		

(VENDOR TITLE BLOCK)**



TOILET BOWL INSTALATION DETAIL
Sc:1/10 DETAIL-16



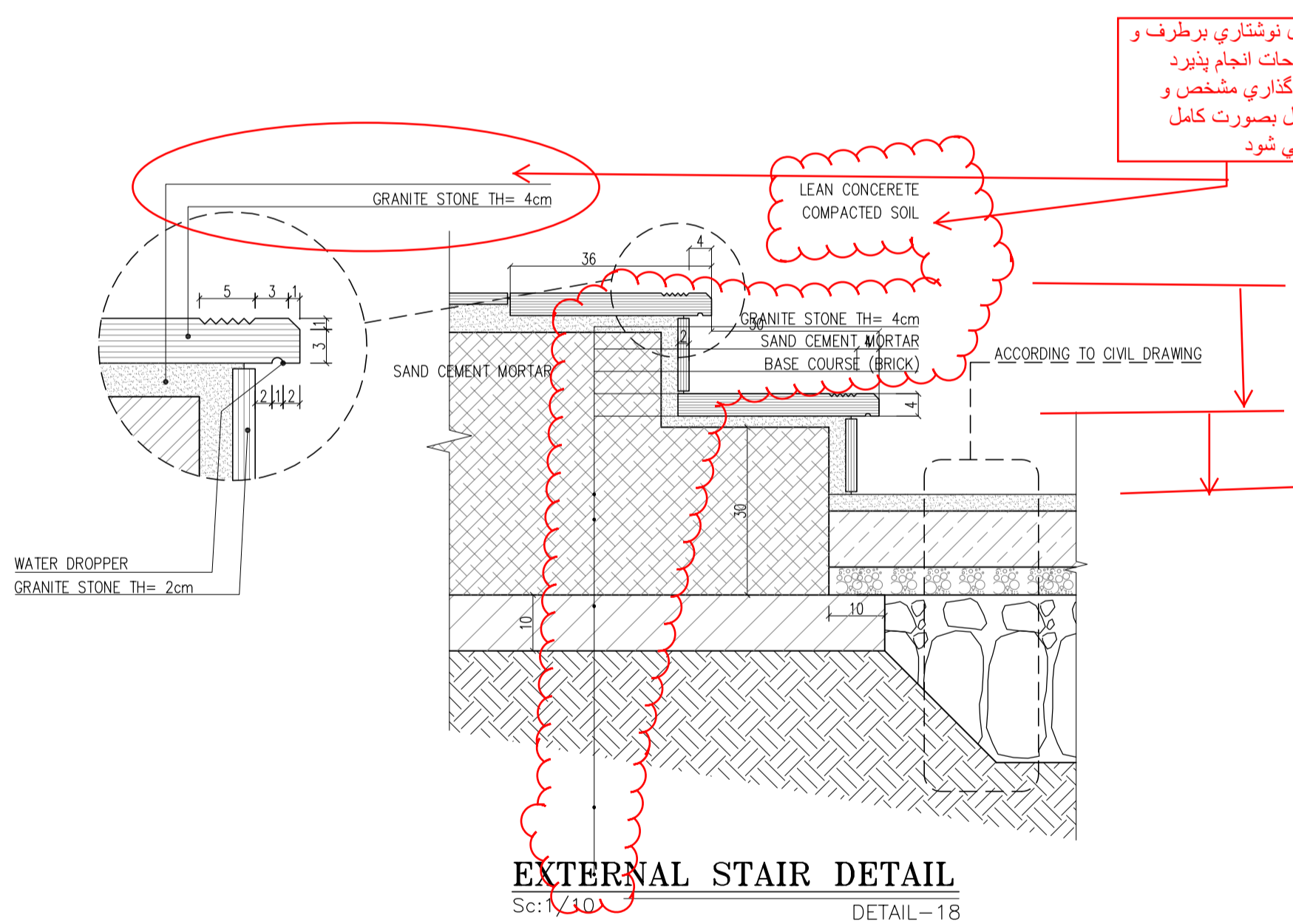
JANITOR CLOSET DETAIL
Sc:1/10 DETAIL-17

- NOTES**
1. ALL DIMENSIONS ARE IN CENTIMETER & ALL ELEVATIONS ARE IN METER.
 2. ALL DIMENSIONS AND ELEVATIONS SHALL BE CHECKED BY THE CONTRACTOR PRIOR TO CONSTRUCTION.
 3. CONTRACTOR SHALL COMPARE ALL ARCHITECTURAL, MECHANICAL, ELECTRICAL, PIPING AND STRUCTURAL DRAWINGS AND IN CASE OF ANY CONFLICTS OR DISCREPANCY, INFORM THE ENGINEER.
 4. ALL MATERIALS ARE SELECTED FROM THE HIGHEST QUALITY.
 5. ALL OPENINGS FOR PIPING/CABLING SHALL BE CONSIDERED AS PER RELATED DRAWINGS BEFORE CONSTRUCTION.

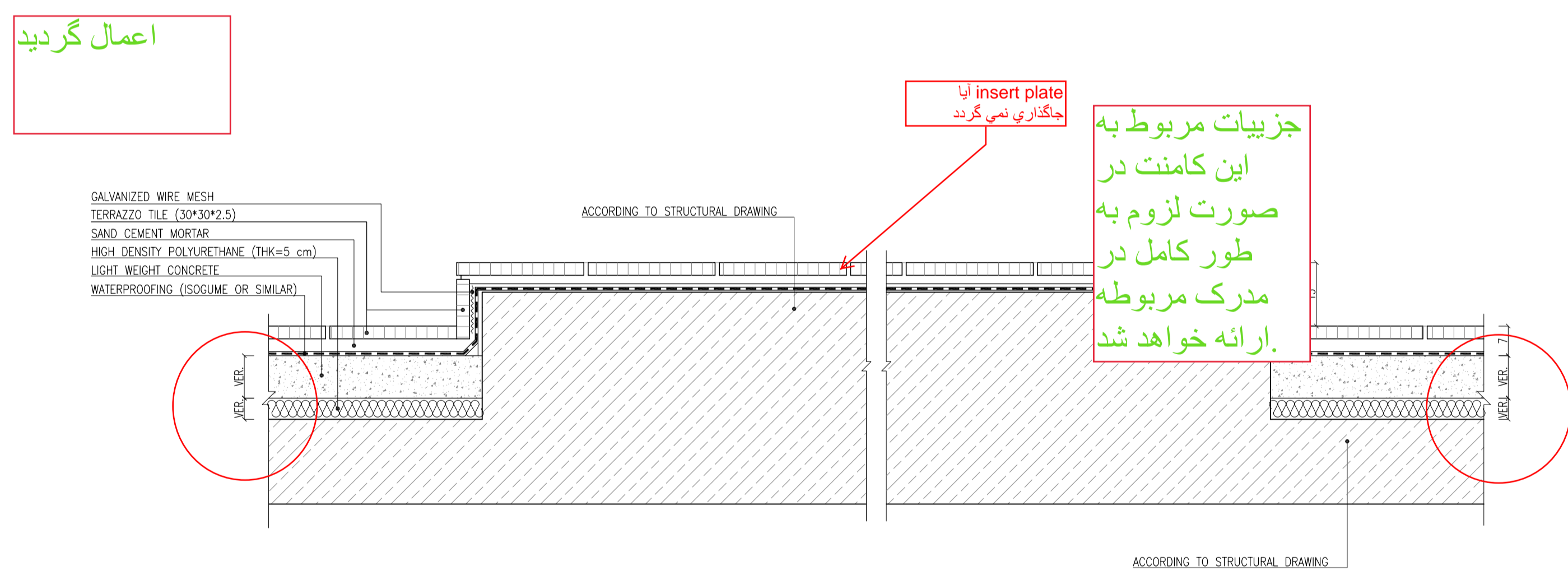
LEGEND

REFERENCE DRAWING	DRG. No.
*****	*****

KEY PLAN



EXTERNAL STAIR DETAIL
Sc:1/10 DETAIL-18



TYPICAL SLAB OF ROOF FOR HVAC
Sc:1/10 DETAIL-19

REV.	DESCRIPTION	BY	DATE	BY	DATE
D00	DEC.2021	IPC	R.BERLOUE	M.FAKHARIAN	M.Mehrshad
REV.	DATE	P.O.I.S	PREP.	CHK.	APP.
PROJECT NAME: BINAK OILFIELD DEVELOPMENT/SURFACE FACILITIES GAS COMPRESSOR STATION					
PROJECT NO.: 971020					
EPC CONTRACTOR:			EPD/EPC CONTRACTOR (GC):		
 HIRGAN ENERGY - DESIGN & INSPECTION COMPANIES			 PETROIRAN DEVELOPMENT COMPANY		
DRAWING TITLE: STANDARD DRAWING FOR ARCHITECTURAL DETAILS					
NO CONSTRUCTION PERMITTED UNLESS DRAWING APPROVED					
APPROVED FOR CONSTRUCTION BY: DATE:					
BUDGET REF.	LOCATION	SIZE	CLASS	SERIAL NO.	SHEET REVISION
*****	A1	BK-GNRL-PEDCO-000-AR-DW-0001	04 OF 19	D00	

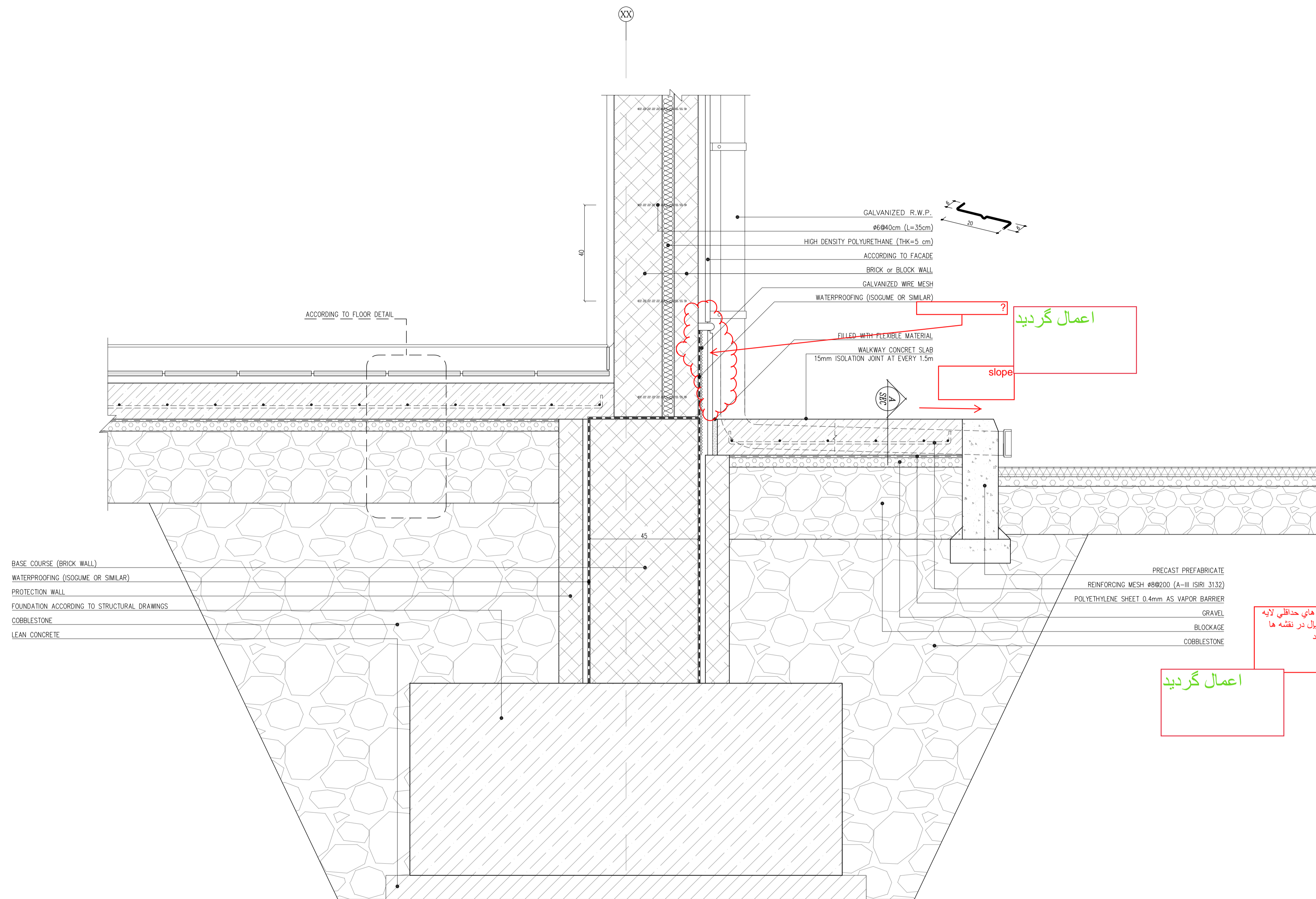
تواخذ نوشتاري برطرف و اصلاحات انجام پذيرد ابعاد گذاري مشخص و ماتريال بصورت كامل معرفي شود

اعمال گرديد

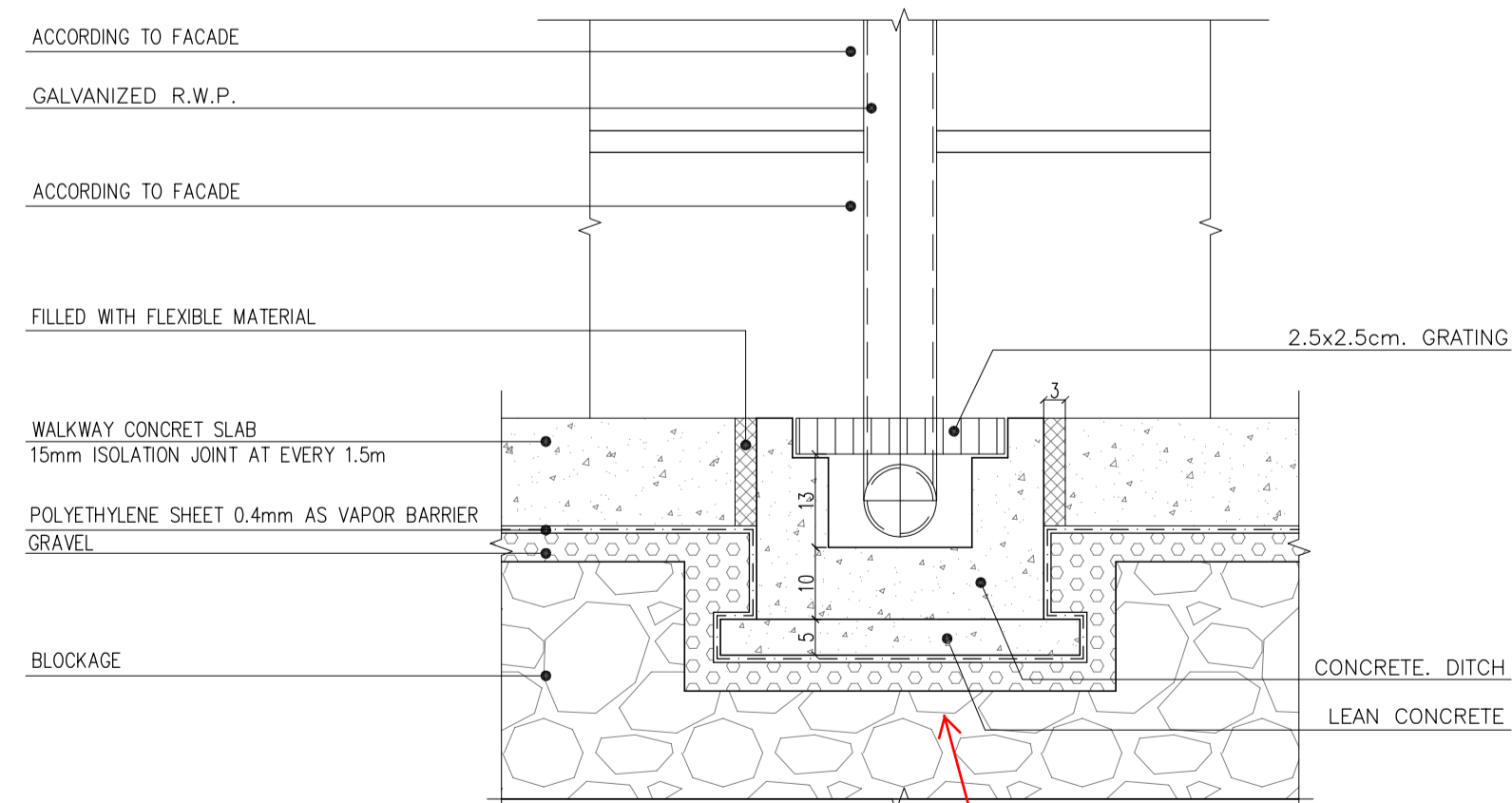
اجاگاري نمي گردد

جزئیات مربوط به این کامنت در صورت لزوم به طور کامل در مدرک مربوطه ارائه خواهد شد.

(VENDOR TITLE BLOCK)**



EXTERNAL WALL DETAILS
Sc:1/10 DETAIL-20



SECTION A-A
Sc:1/10

- NOTES**
1. ALL DIMENSIONS ARE IN CENTIMETER & ALL ELEVATIONS ARE IN METER.
 2. ALL DIMENSIONS AND ELEVATIONS SHALL BE CHECKED BY THE CONTRACTOR PRIOR TO CONSTRUCTION.
 3. CONTRACTOR SHALL COMPARE ALL ARCHITECTURAL, MECHANICAL, ELECTRICAL, PIPING AND STRUCTURAL DRAWINGS AND IN CASE OF ANY CONFLICTS OR DISCREPANCY, INFORM THE ENGINEER.
 4. ALL MATERIALS ARE SELECTED FROM THE HIGHEST QUALITY.
 5. ALL OPENINGS FOR PIPING/CABLING SHALL BE CONSIDERED AS PER RELATED DRAWINGS BEFORE CONSTRUCTION.

LEGEND

REFERENCE DRAWING	DRG. No.
*****	*****

KEY PLAN

REV.	DATE	DESCRIPTION	BY	DATE	BY	DATE
D00	DEC-2021	IPC	R.BERLOUIE	M.FAKHARIAN	M.Mehrshad	**
REV.	DATE	P.O.I.S	PREP.	CHK.	APP.	AUT.
PROJECT NAME: BINAK OILFIELD DEVELOPMENT/SURFACE FACILITIES GAS COMPRESSOR STATION PROJECT NO.: 971020 EPC CONTRACTOR: HIRGAN ENERGY - DESIGN & INSPECTION COMPANIES EPD/EPC CONTRACTOR (GC): PETROIRAN DEVELOPMENT COMPANY BINAK OILFIELD DEVELOPMENT SURFACE FACILITIES GAS COMPRESSOR STATION THE ORIGINAL AND ALL COPIES OF THIS DRAWING TOGETHER WITH THE COPYRIGHT THEREIN ARE THE SOLE PROPERTY OF N.I.S.O.C./ FIELDS						
DATE	SCALE	DRAWING BY	CHECKED BY	PROJECT ENG.		
NO CONSTRUCTION PERMITTED UNLESS DRAWING APPROVED						
APPROVED FOR CONSTRUCTION			BY:		DATE:	
BUDGET REF.	LOCATION	SIZE	CLASS	SERIAL NO.	SHEET	REVISION
*****	A1	BK-GNRL-PEDCO-000-AR-DW-0001	05 OF 19	D00		

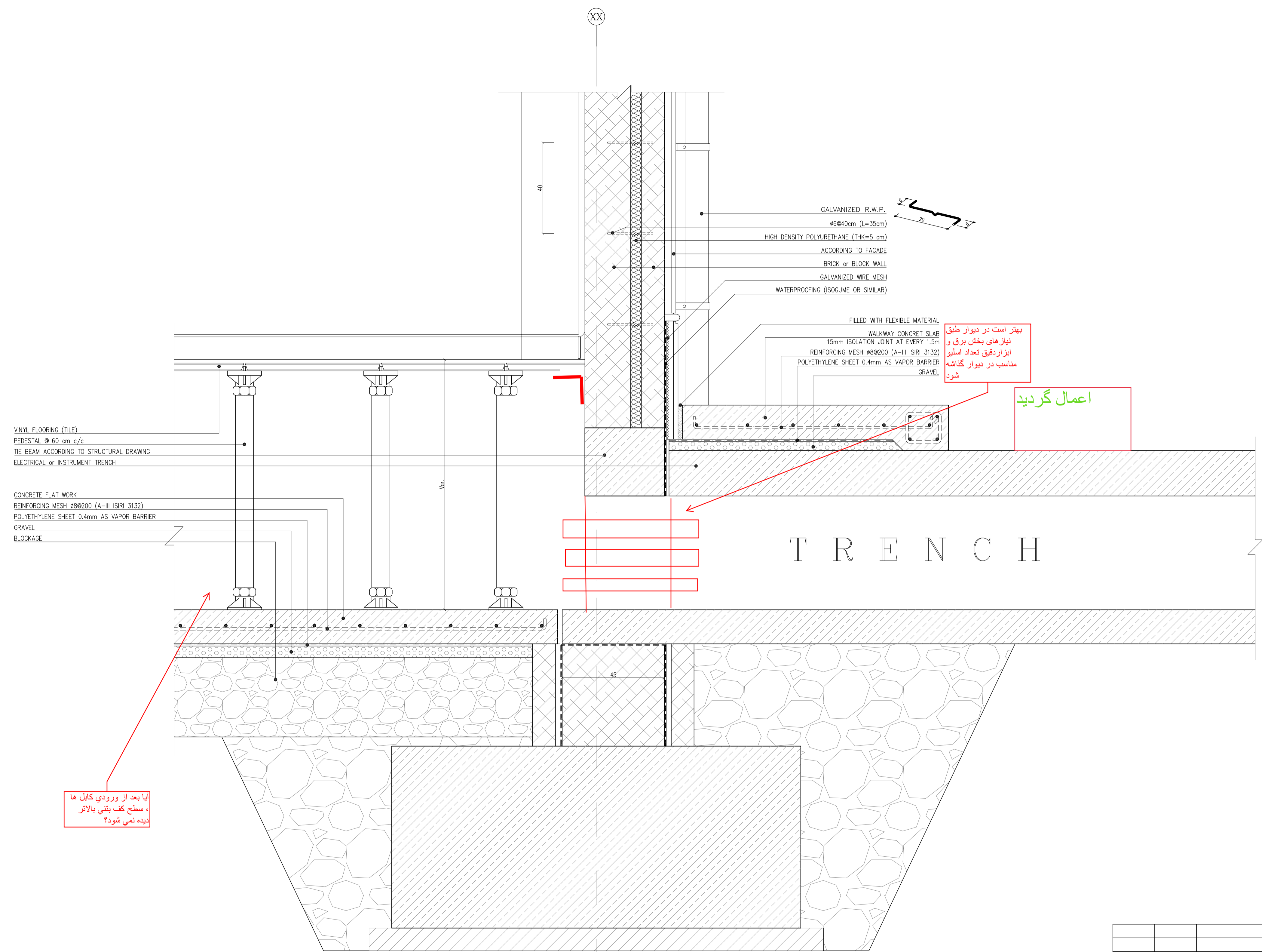
(VENDOR TITLE BLOCK)**

- NOTES**
1. ALL DIMENSIONS ARE IN CENTIMETER & ALL ELEVATIONS ARE IN METER.
 2. ALL DIMENSIONS AND ELEVATIONS SHALL BE CHECKED BY THE CONTRACTOR PRIOR TO CONSTRUCTION.
 3. CONTRACTOR SHALL COMPARE ALL ARCHITECTURAL, MECHANICAL, ELECTRICAL, PIPING AND STRUCTURAL DRAWINGS AND IN CASE OF ANY CONFLICTS OR DISCREPANCY, INFORM THE ENGINEER.
 4. ALL MATERIALS ARE SELECTED FROM THE HIGHEST QUALITY.
 5. ALL OPENINGS FOR PIPING/CABLING SHALL BE CONSIDERED AS PER RELATED DRAWINGS BEFORE CONSTRUCTION.

LEGEND

REFERENCE DRAWING	DRG. No.
*****	*****

KEY PLAN



ایا بعد از ورودی کابل ها ، سطح کف بتنی بالاتر نینده نمی شود؟

EXTERNAL WALL FALSE FLOOR DETAILS
Sc:1/10 DETAIL-21

REV.	DESCRIPTION	BY	DATE	BY	DATE	
***	*****	**	****	**	****	
D00	DEC-2021	IPC	R.BERLOUE	M.FAKHARIAN	M.Mehrshad	
REV.	DATE	P.O.I.S	PREP.	CHK.	APP.	AUT.
PROJECT NAME: BINAK OILFIELD DEVELOPMENT/SURFACE FACILITIES GAS COMPRESSOR STATION						
PROJECT NO.: 971020						
EPC CONTRACTOR:			EPD/EPC CONTRACTOR (GC):			
HIRGAN ENERGY - DESIGN & INSPECTION COMPANIES			PEDCO			
DRAWING TITLE: STANDARD DRAWING FOR ARCHITECTURAL DETAILS						
NO CONSTRUCTION PERMITTED UNLESS DRAWING APPROVED						
APPROVED FOR CONSTRUCTION BY: DATE:						
BUDGET REF.	LOCATION	SIZE	CLASS	SERIAL NO.	REVISION	
*****	A1	BK-GNRL-PEDCO-000-AR-DW-0001	06 OF 19	D00		

(VENDOR TITLE BLOCK)**

- NOTES**
1. ALL DIMENSIONS ARE IN CENTIMETER & ALL ELEVATIONS ARE IN METER.
 2. ALL DIMENSIONS AND ELEVATIONS SHALL BE CHECKED BY THE CONTRACTOR PRIOR TO CONSTRUCTION.
 3. CONTRACTOR SHALL COMPARE ALL ARCHITECTURAL, MECHANICAL, ELECTRICAL, PIPING AND STRUCTURAL DRAWINGS AND IN CASE OF ANY CONFLICTS OR DISCREPANCY, INFORM THE ENGINEER.
 4. ALL MATERIALS ARE SELECTED FROM THE HIGHEST QUALITY.
 5. ALL OPENINGS FOR PIPING/CABLING SHALL BE CONSIDERED AS PER RELATED DRAWINGS BEFORE CONSTRUCTION.

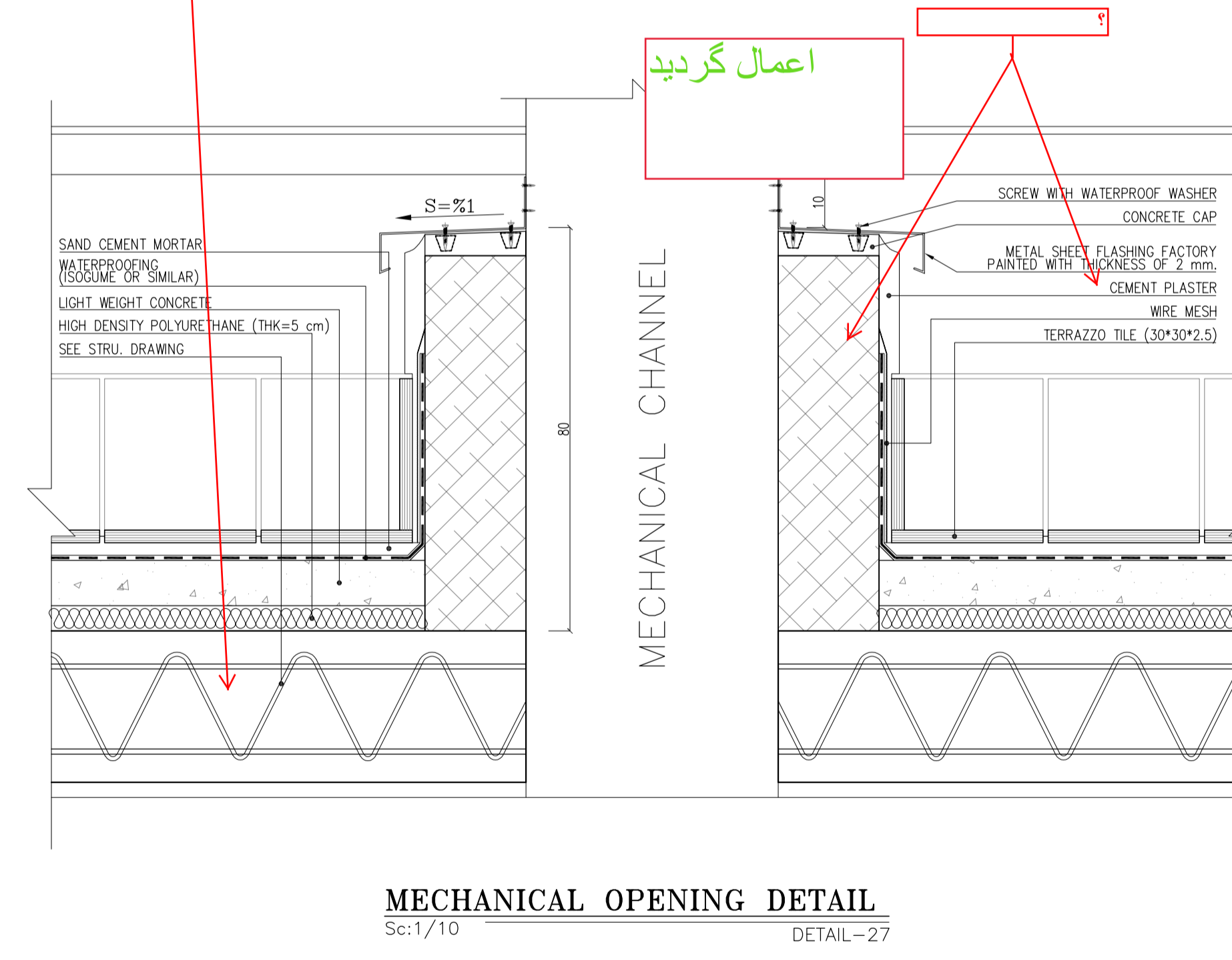
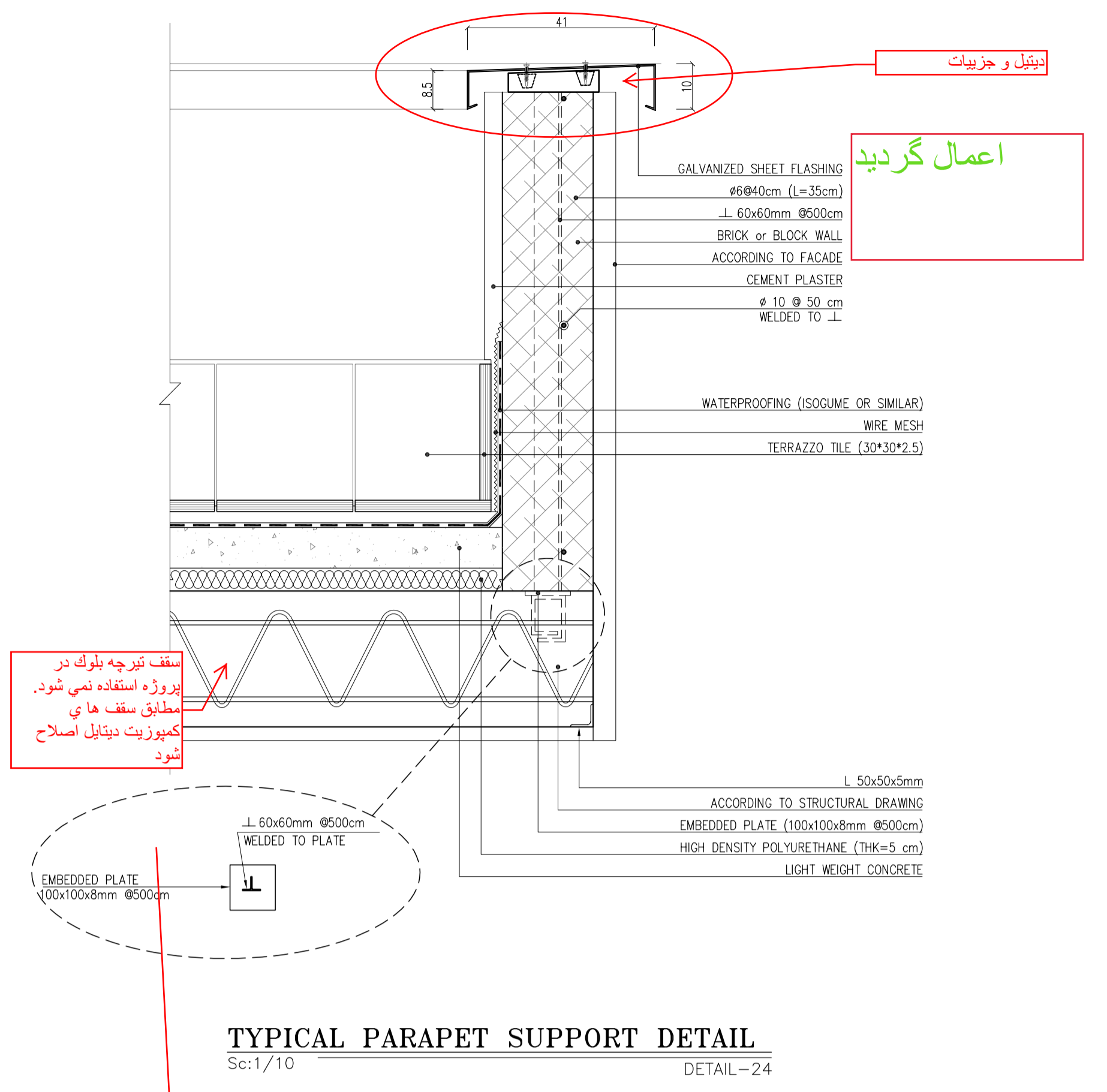
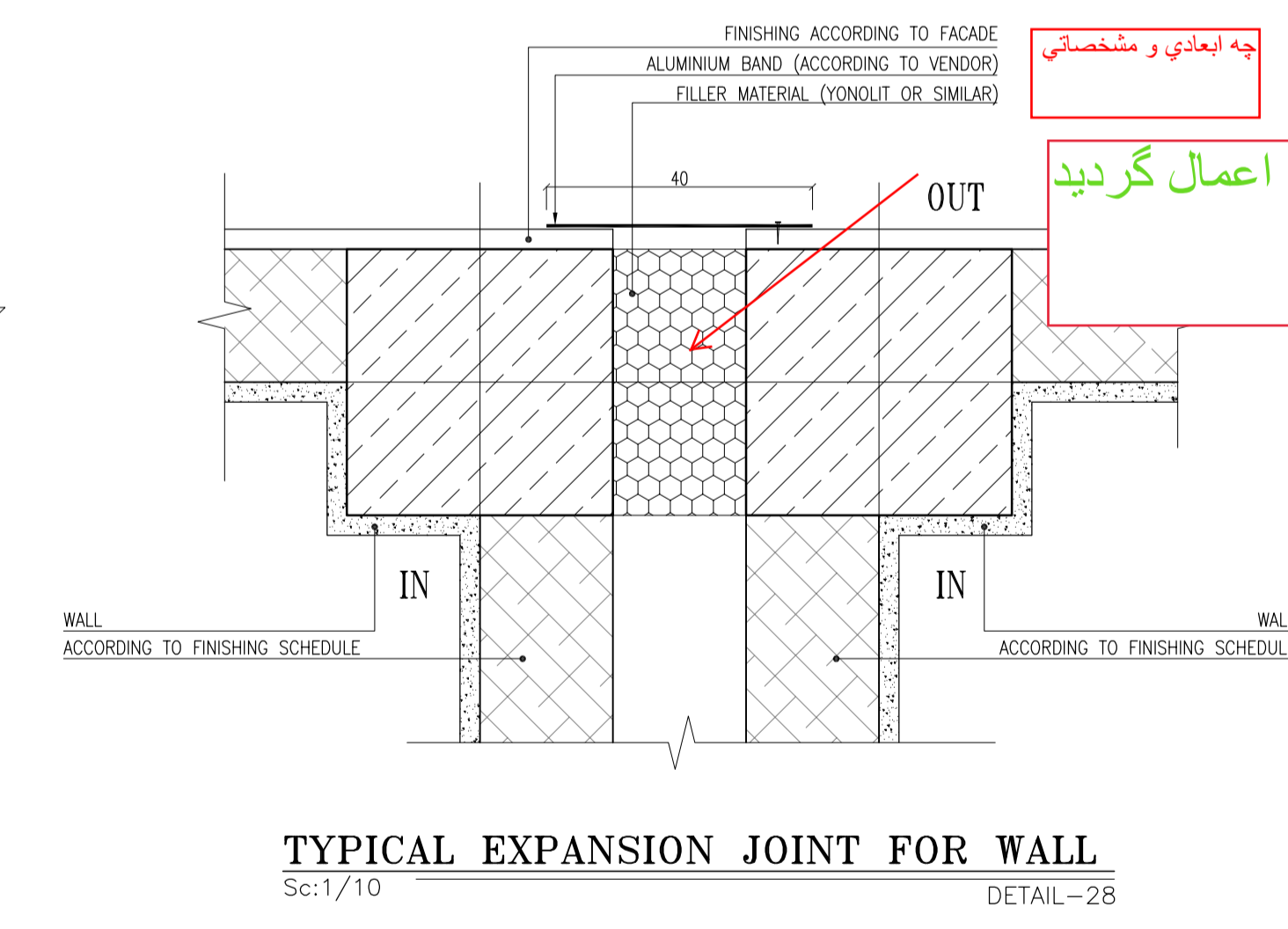
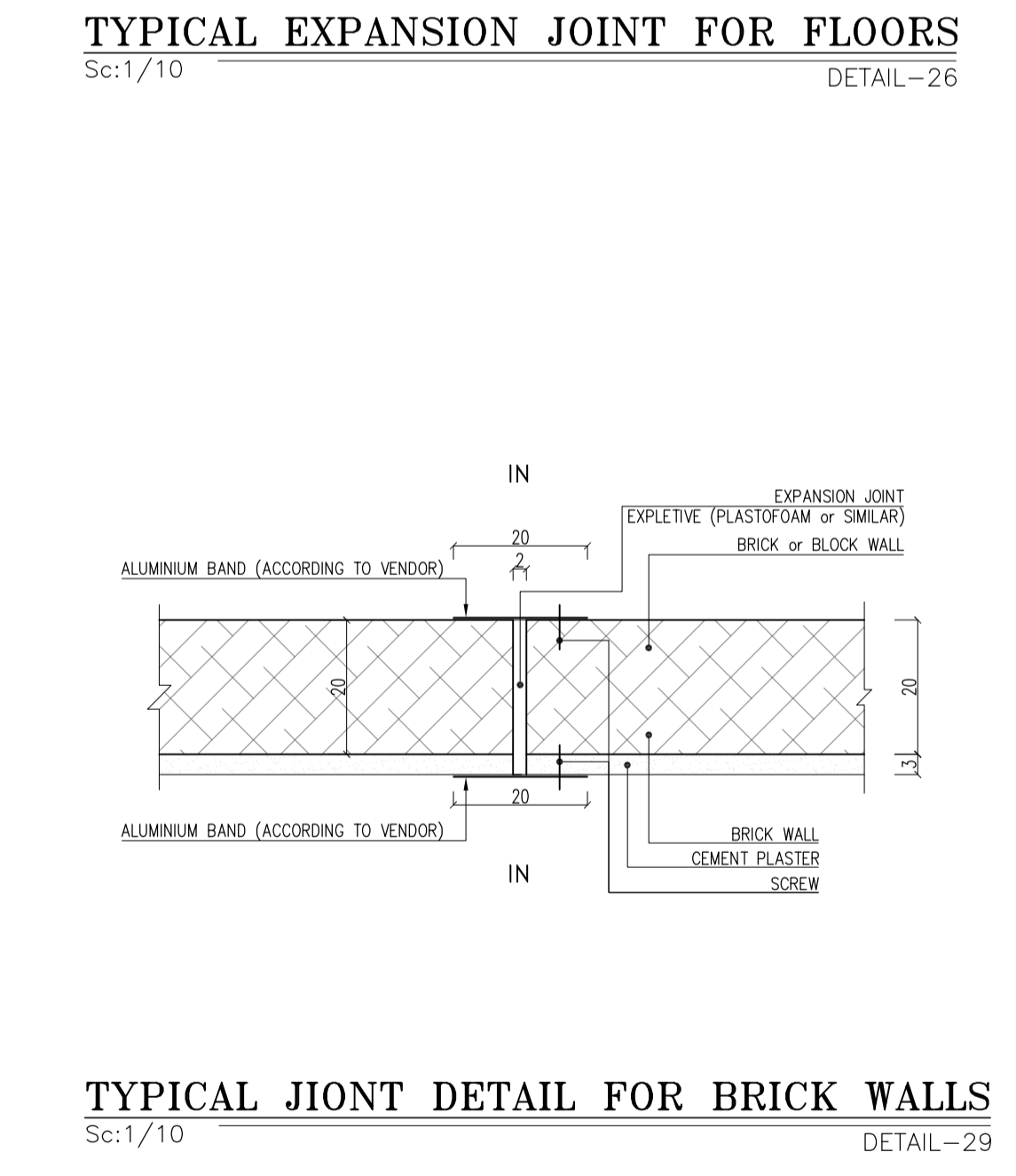
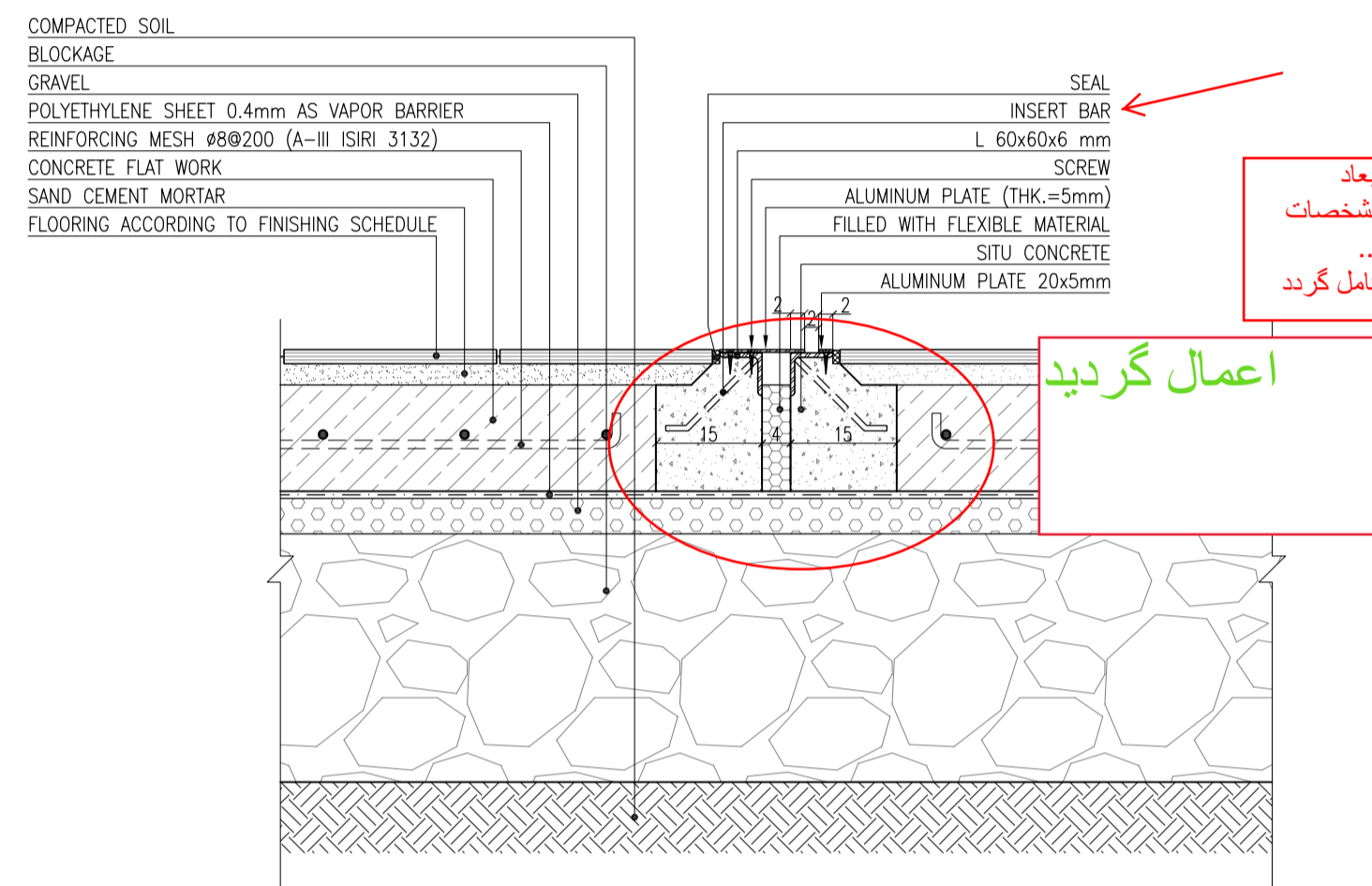
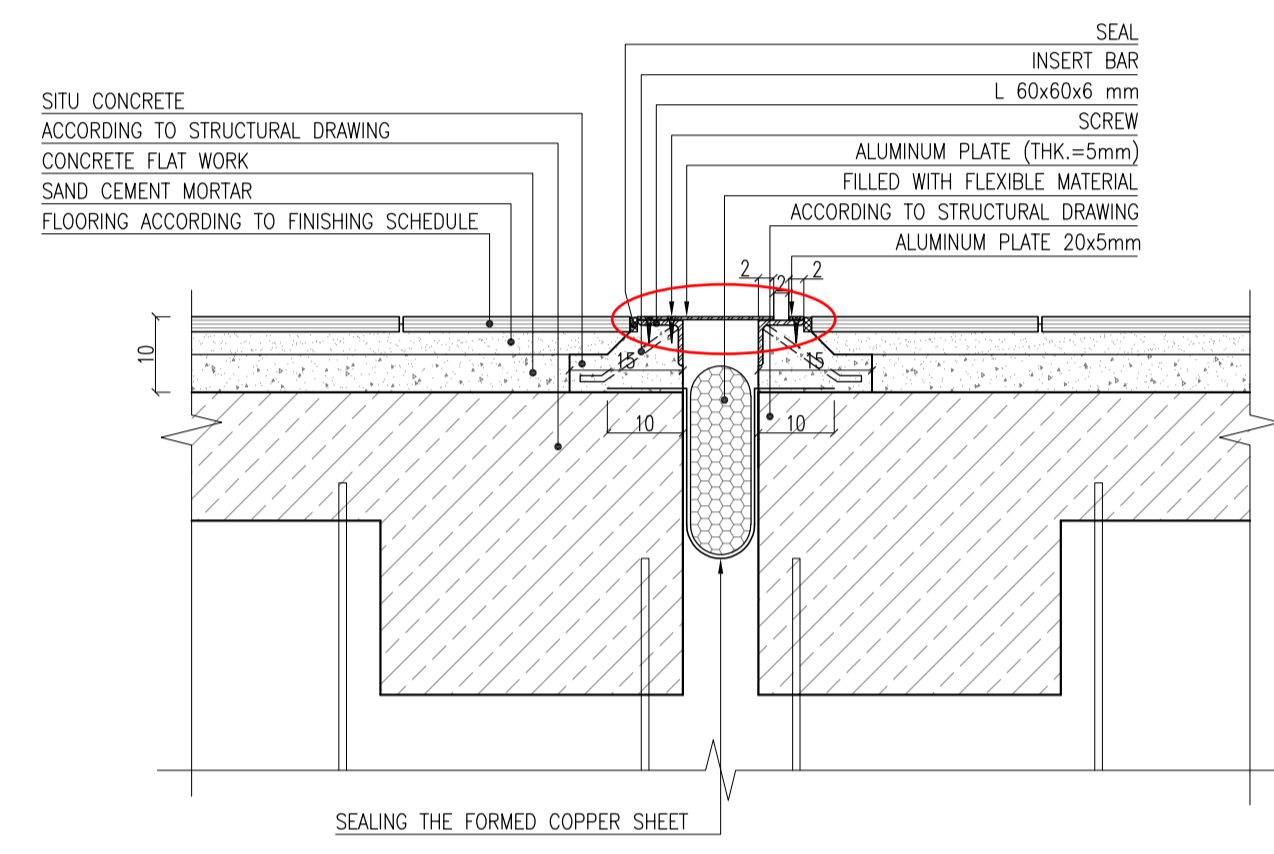
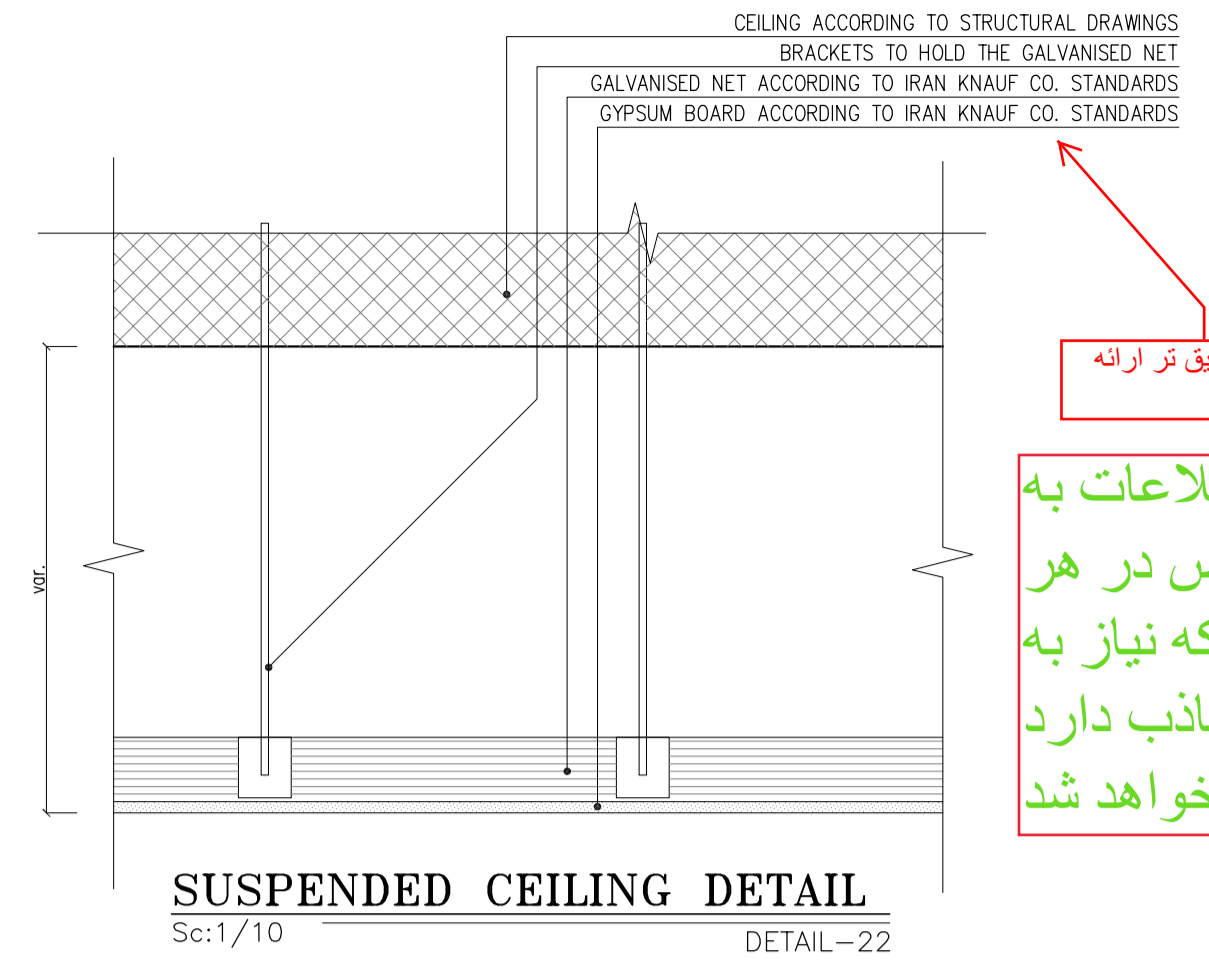
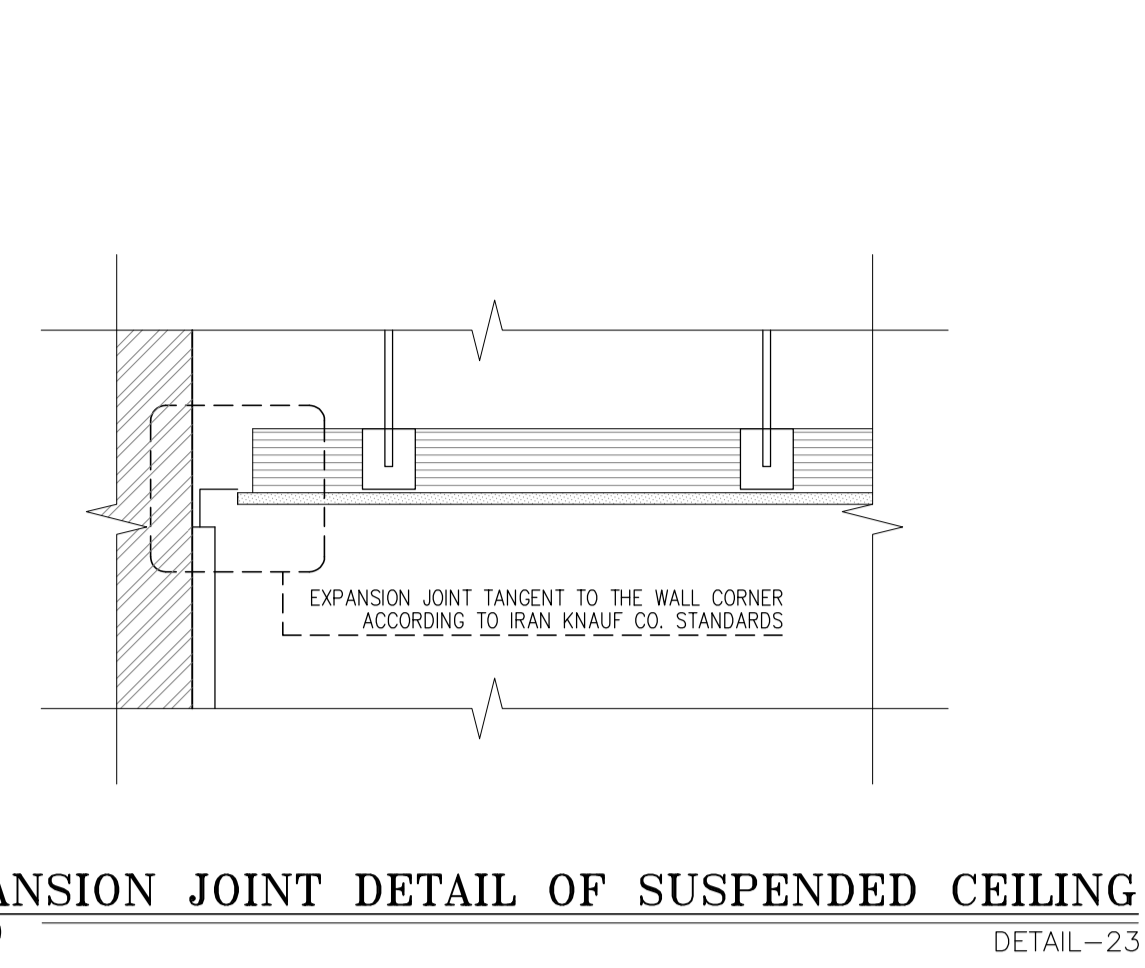
LEGEND

*****	*****
-------	-------

REFERENCE DRAWING	DRG. No.
*****	*****

KEY PLAN

***	*****	**	*****	**	*****
REV.	DESCRIPTION	BY	DATE	BY	DATE
D00	DEC.2021	IPC	R.BRLOUE	M.FAKHARIAN	M.Mehrshad
REV.	DATE	P.O.I.S	PREP.	CHK.	APP.
PROJECT NAME: BINAK OILFIELD DEVELOPMENT/SURFACE FACILITIES GAS COMPRESSOR STATION					
PROJECT NO.: 971020					
EPC CONTRACTOR:			EPD/EPC CONTRACTOR (GC):		
HIRGAN ENERGY - DESIGN & INSPECTION COMPANIES			PETROIRAN DEVELOPMENT COMPANY		
DRAWING TITLE: STANDARD DRAWING FOR ARCHITECTURAL DETAILS					
NO CONSTRUCTION PERMITTED UNLESS DRAWING APPROVED					
APPROVED FOR CONSTRUCTION BY: DATE:					
BUDGET REF.	LOCATION	SIZE	CLASS	SERIAL NO.	SHEET REVISION
*****	A1	BK-GNRL-PEDCO-000-AR-DW-0001	07 OF 19	D00	



سقف تیرچه بلوک در پروژه استفاده نمی شود. مطابق سقف های کمپوزیت دیتایل اصلاح شود.

این اطلاعات به طور خاص در هر پروژه که نیاز به سقف کاذب دارد ارائه خواهد شد.

ابعاد مشخصات کامل گردد

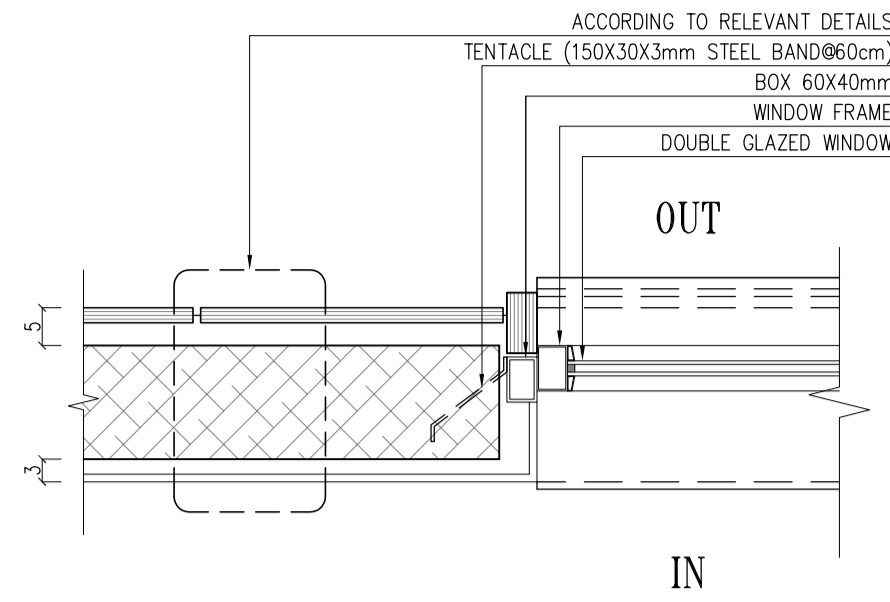
ابعاد مشخصات کامل گردد

چه ابعادی و مشخصاتی

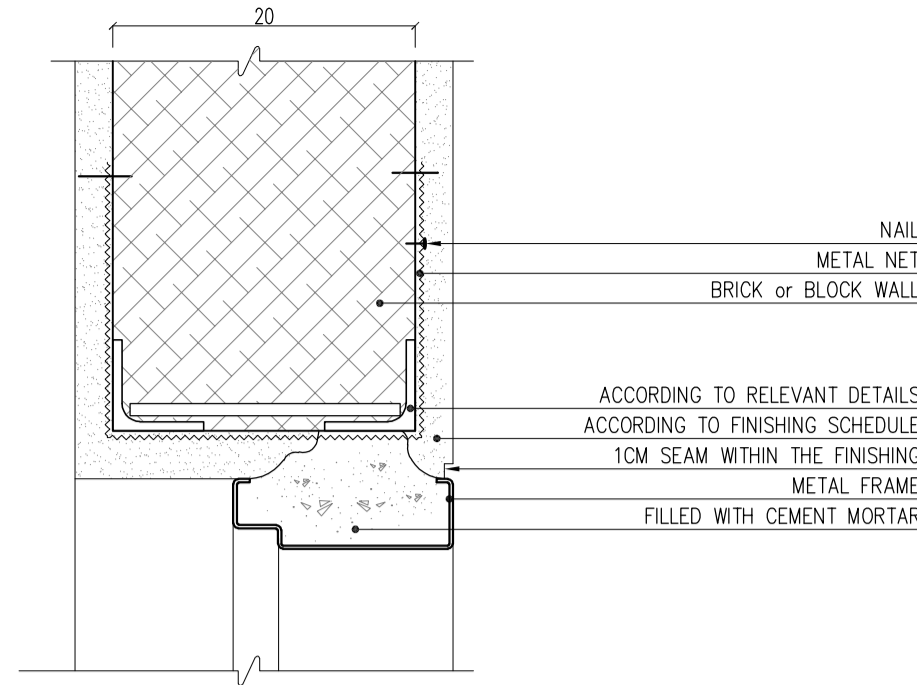
ابعاد مشخصات کامل گردد

ابعاد مشخصات کامل گردد

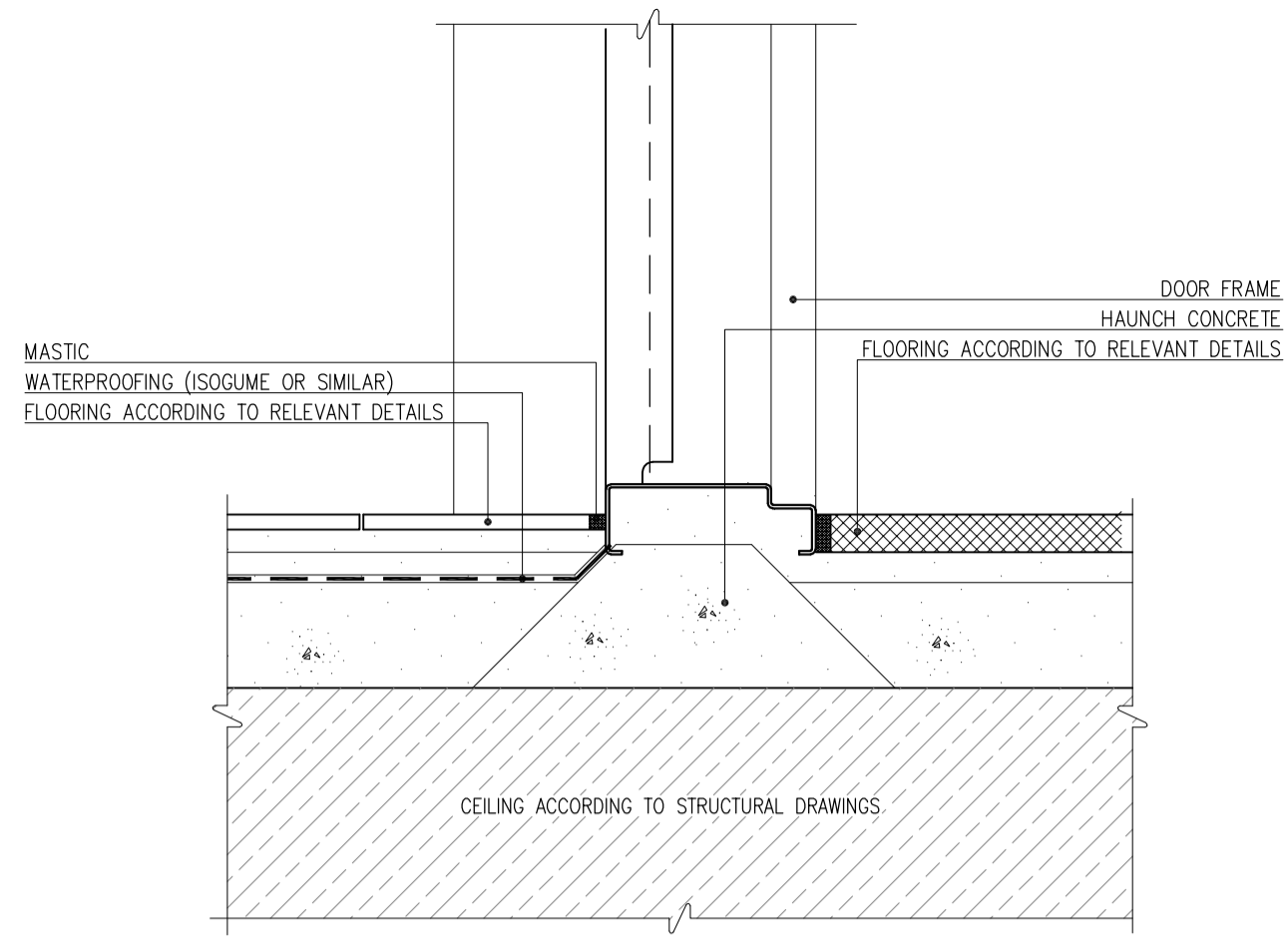
MECHANICAL CHANNEL



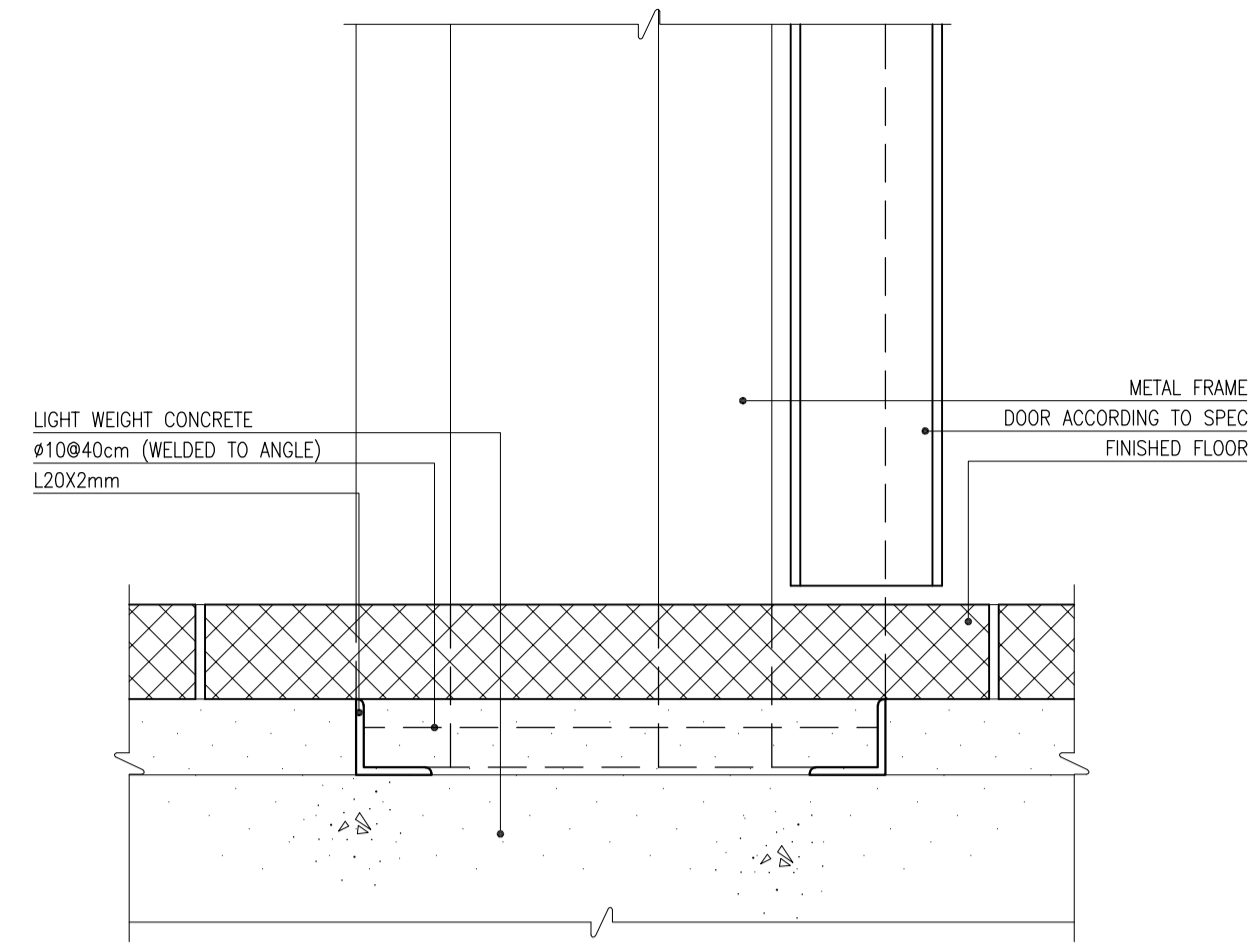
WINDOW LATERAL DETAIL
Sc:1/10 DETAIL-30



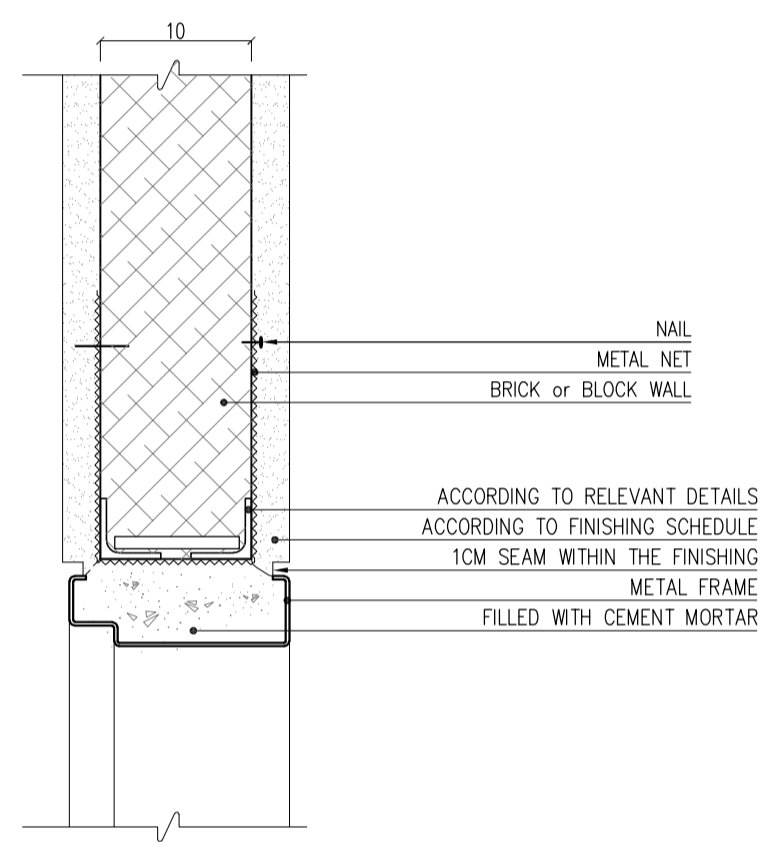
DOOR FRAME IN 20cm WALL
Sc:1/5 DETAIL-31



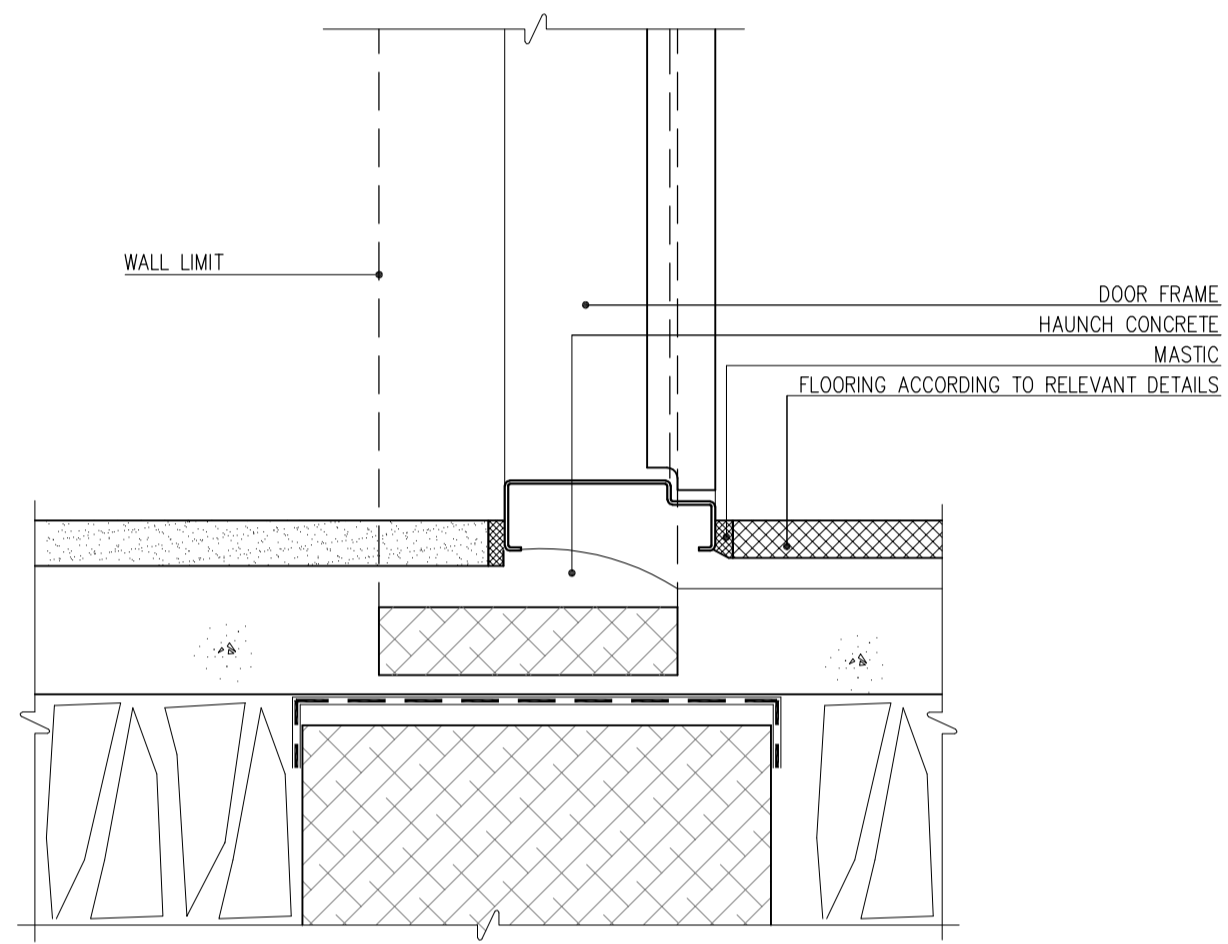
THRESHOLD DETAIL (FLOORS)
Sc: N.T.S. DETAIL-32



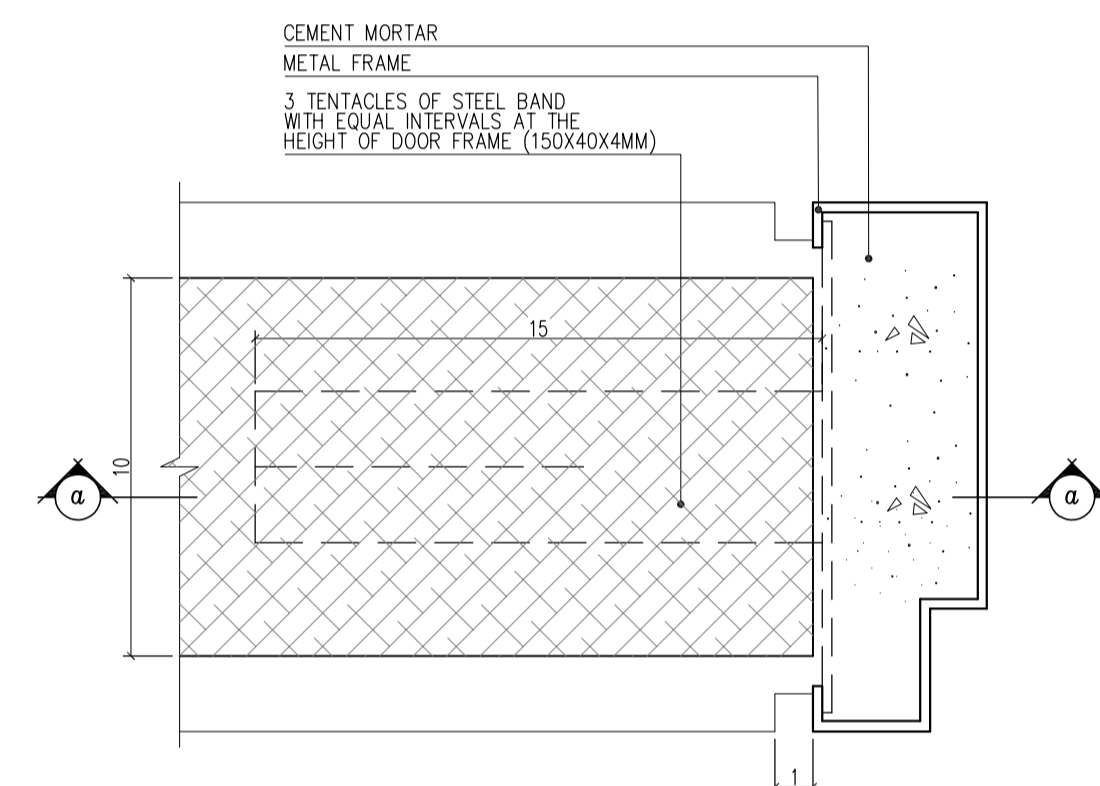
LAVATORY DOORS DETAIL
Sc: N.T.S. DETAIL-33



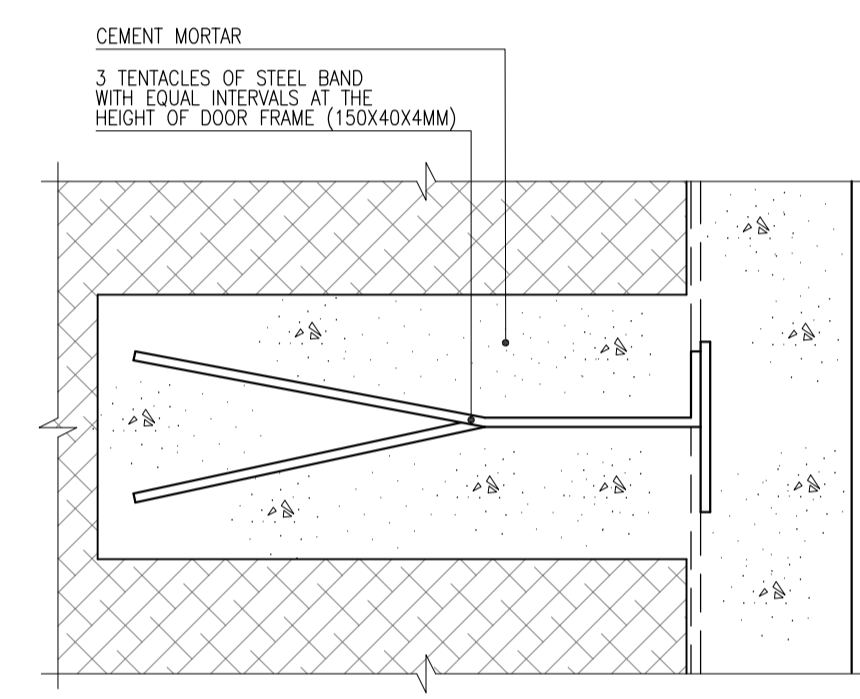
DOOR FRAME IN 10cm WALL
Sc:1/5 DETAIL-34



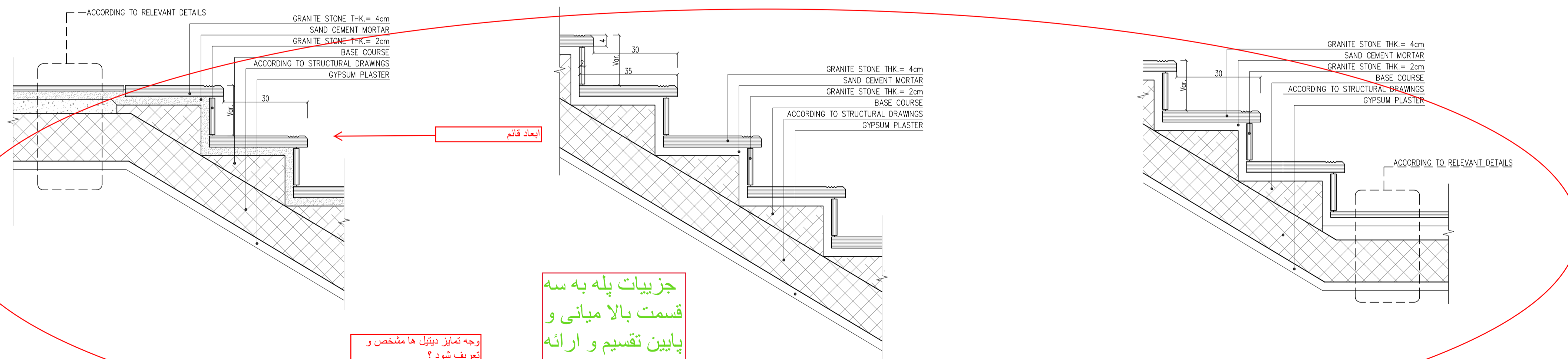
THRESHOLD DETAIL (GROUND FLOOR)
Sc: N.T.S. DETAIL-35



WOODEN DOOR INSTALLATION LATERAL DETAIL
Sc: N.T.S. DETAIL-36



SECTION a-a
Sc: N.T.S.



INTERNAL STAIR DETAILS
DETAIL-37

وجه تمایز دیتیل ها مشخص و تعریف شود ؟

جزئیات پله به سه قسمت بالا میانی و پایین تقسیم و ارائه شده است که بایستی به صورت پیوسته ملاحظه گردد.

- NOTES**
- ALL DIMENSIONS ARE IN CENTIMETER & ALL ELEVATIONS ARE IN METER.
 - ALL DIMENSIONS AND ELEVATIONS SHALL BE CHECKED BY THE CONTRACTOR PRIOR TO CONSTRUCTION.
 - CONTRACTOR SHALL COMPARE ALL ARCHITECTURAL, MECHANICAL, ELECTRICAL, PIPING AND STRUCTURAL DRAWINGS AND IN CASE OF ANY CONFLICTS OR DISCREPANCY, INFORM THE ENGINEER.
 - ALL MATERIALS ARE SELECTED FROM THE HIGHEST QUALITY.
 - ALL OPENINGS FOR PIPING/CABLING SHALL BE CONSIDERED AS PER RELATED DRAWINGS BEFORE CONSTRUCTION.

LEGEND

REFERENCE DRAWING	DRG. No.
*****	*****

KEY PLAN

REV.	DESCRIPTION	BY	DATE	BY	DATE
000	*****	***	*****	***	*****
D00	DEC.2021	IPC	R.BERLOUE	M.FAKHARIAN	M.Mehrshad
REV.	DATE	P.O.I.S	PREP.	CHK.	APP.
PROJECT NAME: BINAK OILFIELD DEVELOPMENT/SURFACE FACILITIES GAS COMPRESSOR STATION					
PROJECT NO.: 971020					
EPC CONTRACTOR: HIRGAN ENERGY			EPD/EPC CONTRACTOR (GC): PETROIRAN DEVELOPMENT COMPANY		
DRAWING TITLE: STANDARD DRAWING FOR ARCHITECTURAL DETAILS					
SCALE	SIZE	DRAWING NO.	SHEET NO.	REV.	
*****	A1	BK-GNRL-PEDCO-000-AR-DW-0001	08 OF 19	D00	

اصل و کليه نسخ این نقشه و حق اقتباس متعلق به شرکت ملی مناطق نفت خیز جنوب میباشد.
THE ORIGINAL AND ALL COPIES OF THIS DRAWING TOGETHER WITH THE COPYRIGHT THEREIN ARE THE SOLE PROPERTY OF N.I.S.O.C./ FIELDS

BINAK OILFIELD DEVELOPMENT SURFACE FACILITIES GAS COMPRESSOR STATION

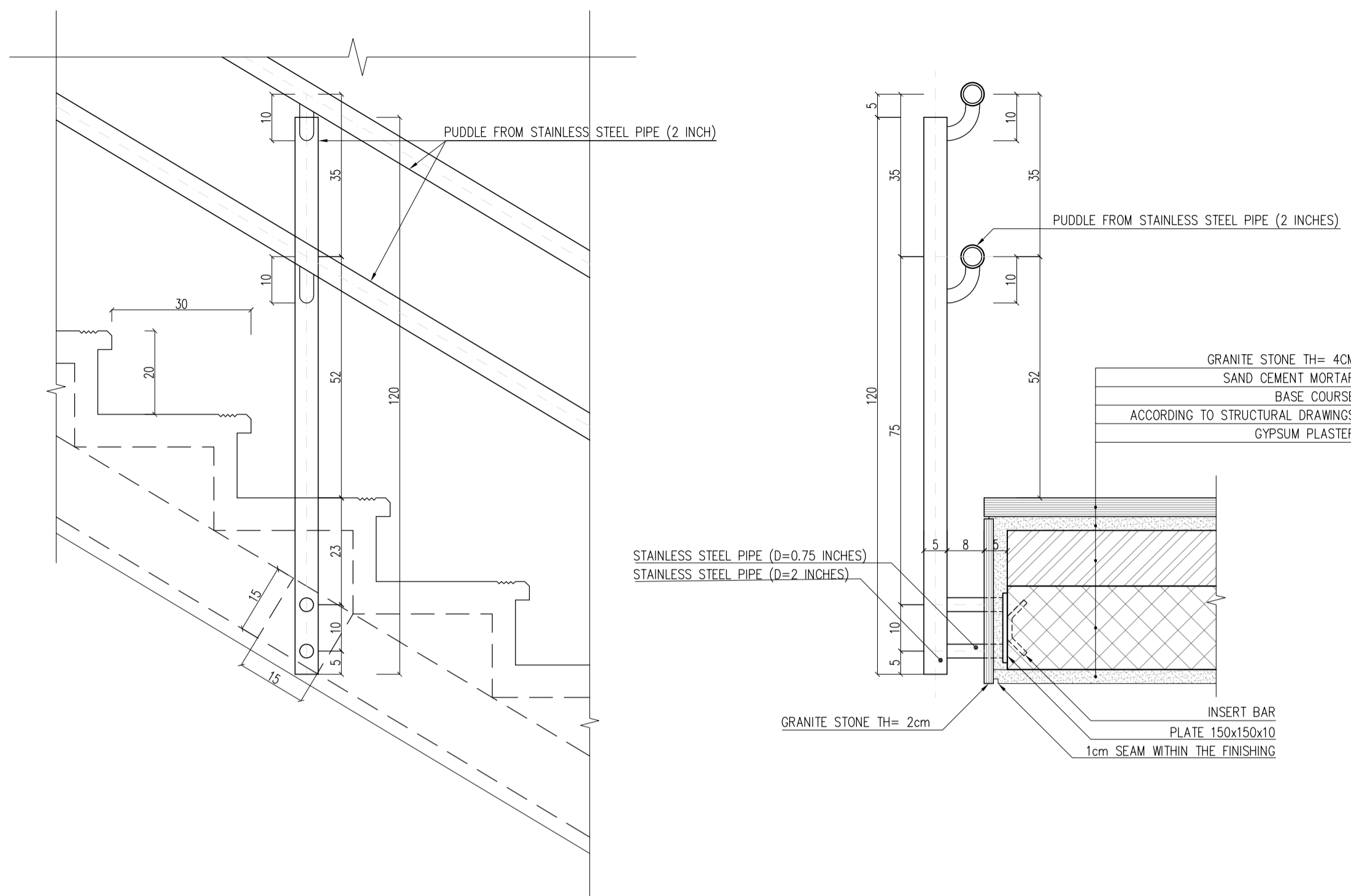
DATE	SCALE	DRAWING BY	CHECKED BY	PROJECT ENG.

NO CONSTRUCTION PERMITTED UNLESS DRAWING APPROVED

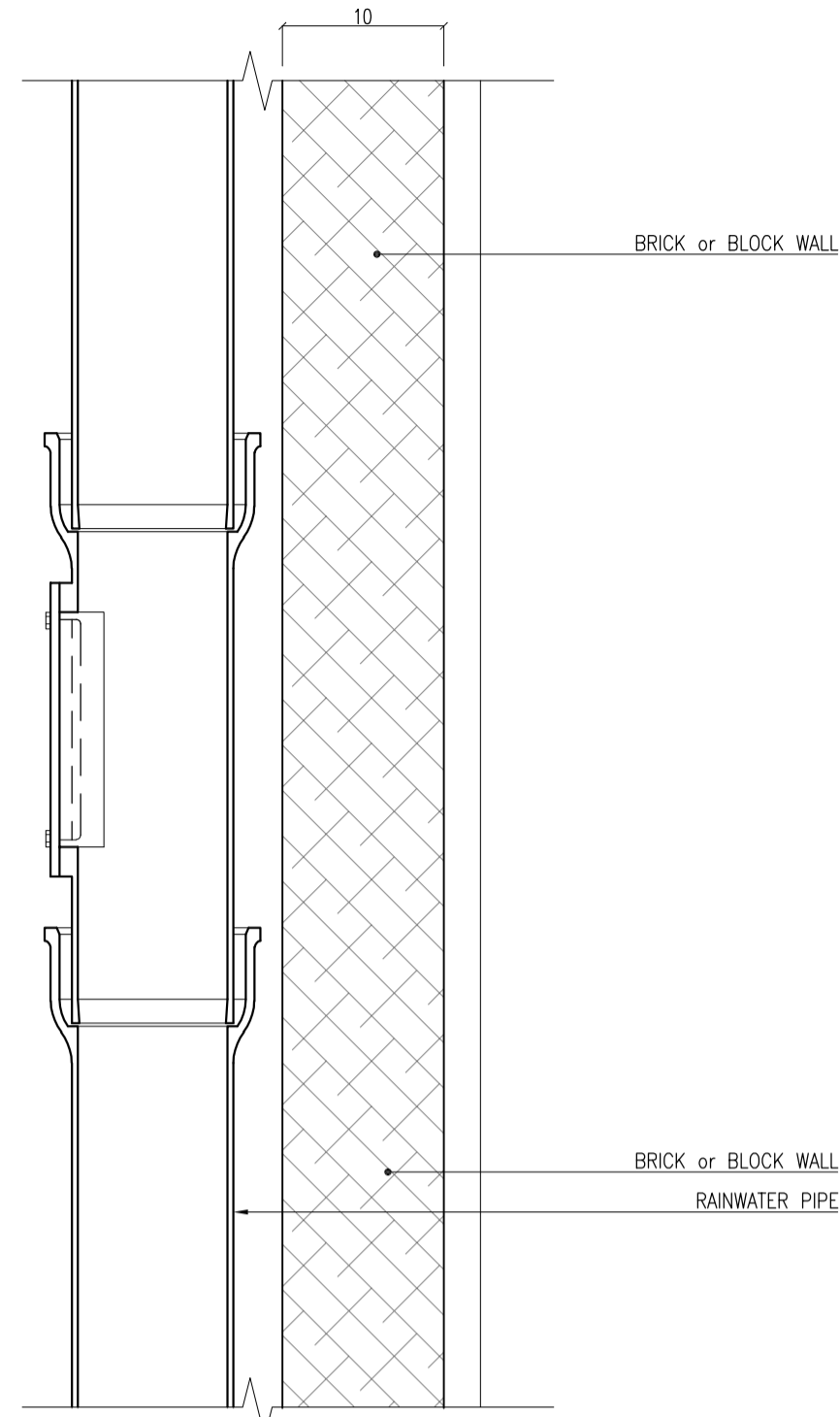
APPROVED FOR CONSTRUCTION	BY:	DATE:

BUDGET REF.	LOCATION	SIZE	CLASS	SERIAL NO.	SHEET	REVISION

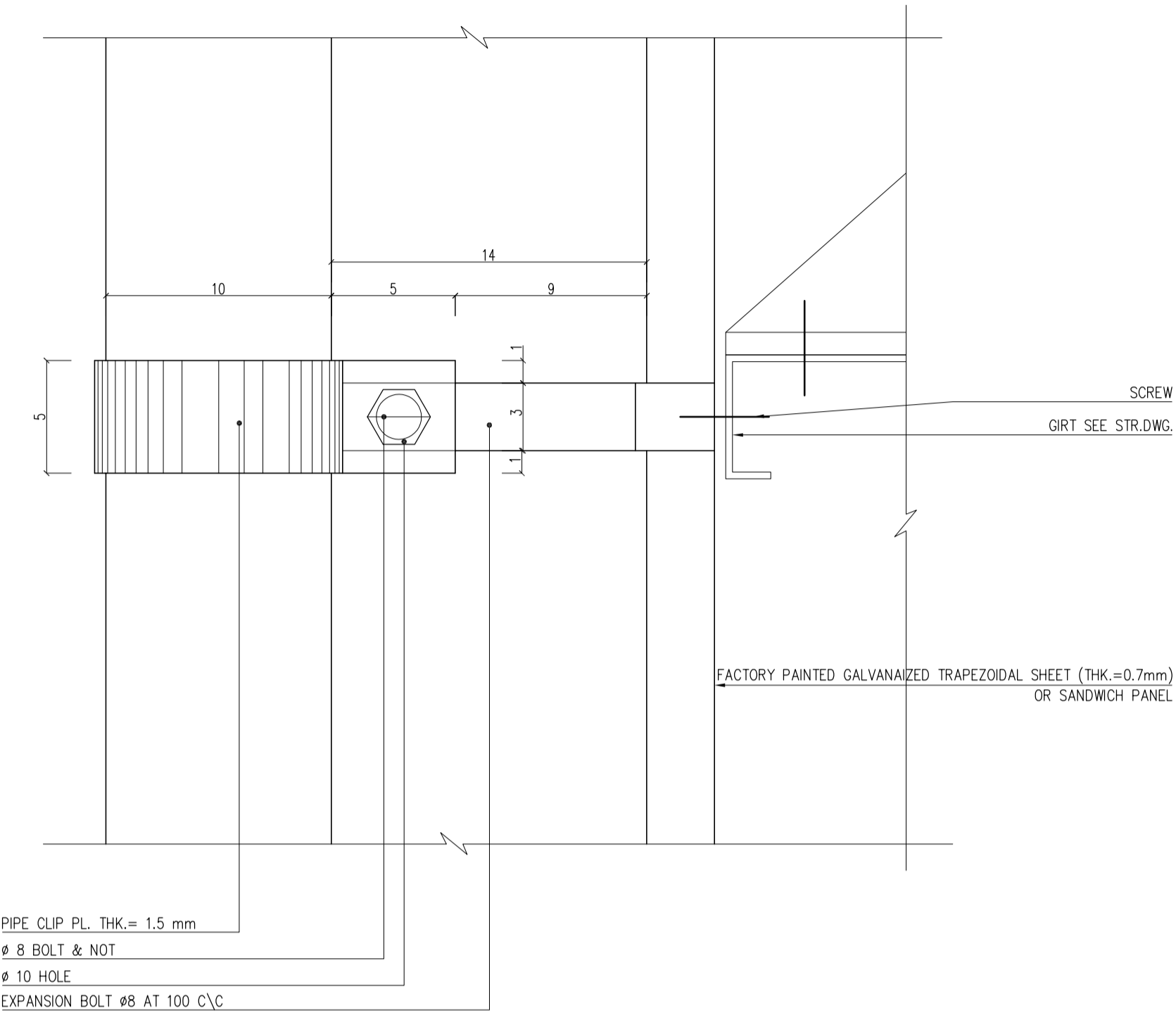
(VENDOR TITLE BLOCK)**



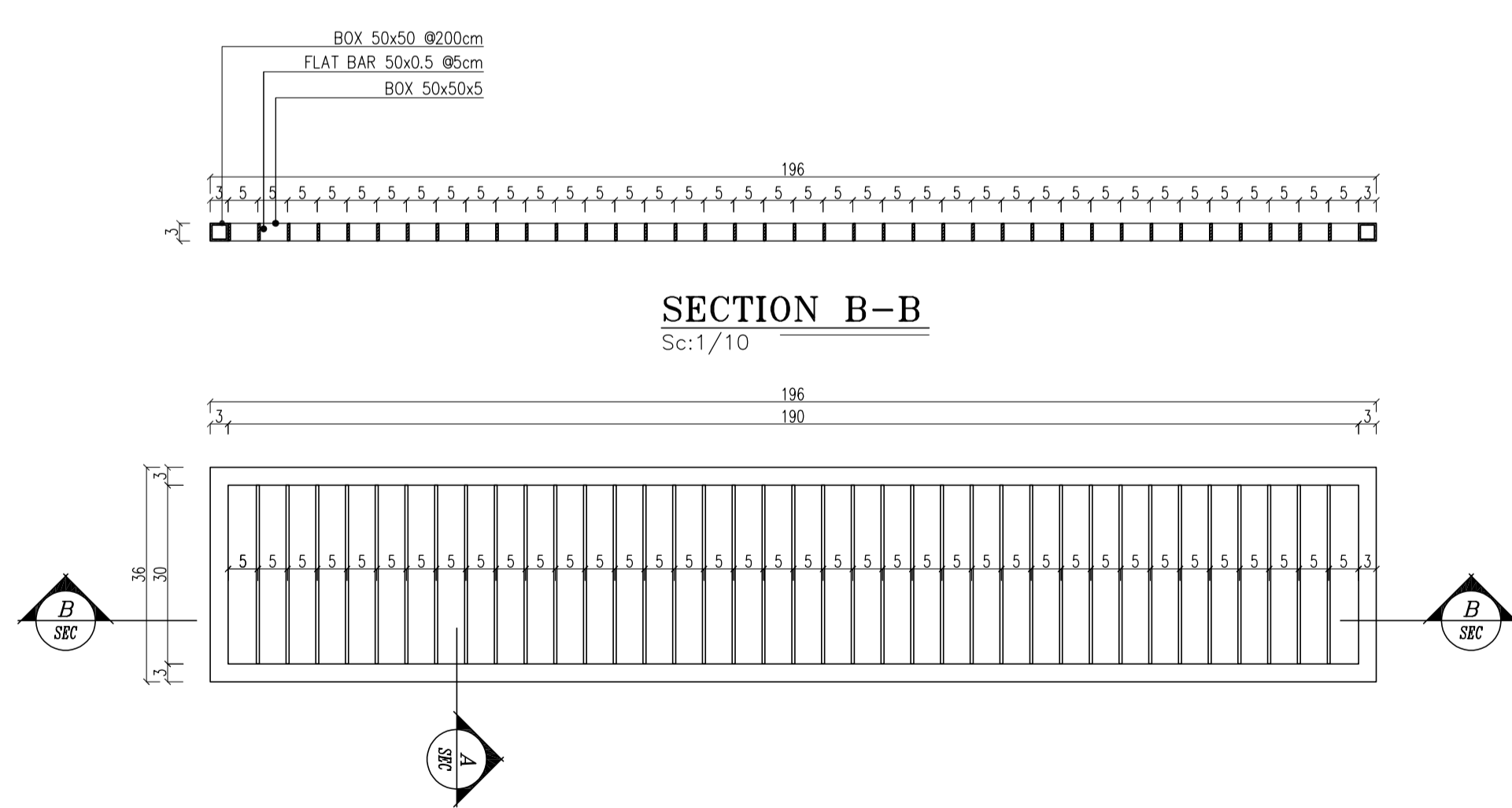
STAIR RAILINGS DETAIL
Sc:1/10 DETAIL-38



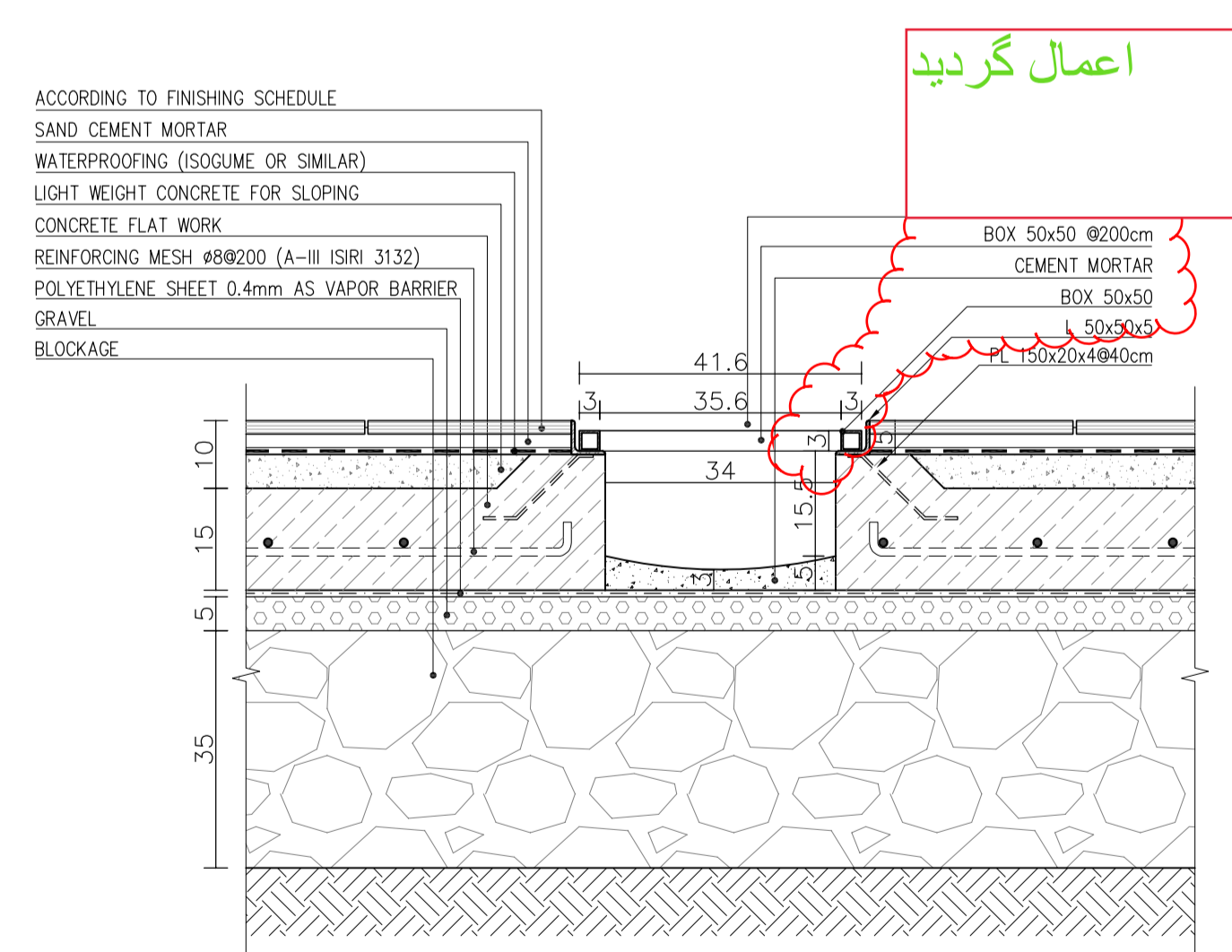
RAINWATER PIPE VALVE DETAIL
Sc:1/10 DETAIL-39



TYPICAL PIPE CLIP ON TRAPEZOIDAL SHEET
Sc:1/5 DETAIL-40



DETAIL OF FLOOR GRILLE
Sc:1/10 DETAIL-41



SECTION A-A
Sc:1/10

- NOTES**
1. ALL DIMENSIONS ARE IN CENTIMETER & ALL ELEVATIONS ARE IN METER.
 2. ALL DIMENSIONS AND ELEVATIONS SHALL BE CHECKED BY THE CONTRACTOR PRIOR TO CONSTRUCTION.
 3. CONTRACTOR SHALL COMPARE ALL ARCHITECTURAL, MECHANICAL, ELECTRICAL, PIPING AND STRUCTURAL DRAWINGS AND IN CASE OF ANY CONFLICTS OR DISCREPANCY, INFORM THE ENGINEER.
 4. ALL MATERIALS ARE SELECTED FROM THE HIGHEST QUALITY.
 5. ALL OPENINGS FOR PIPING/CABLING SHALL BE CONSIDERED AS PER RELATED DRAWINGS BEFORE CONSTRUCTION.

LEGEND

REFERENCE DRAWING	DRG. No.
*****	*****

KEY PLAN

REV.	DATE	DESCRIPTION	BY	DATE	BY	DATE
D00	DEC-2021	IPC	R.BRLOUE	M.FAKHARIAN	M.Mehrshad	**

PROJECT NAME: BINAK OILFIELD DEVELOPMENT/SURFACE FACILITIES GAS COMPRESSOR STATION
 PROJECT NO.: 971020
 EPC CONTRACTOR: HIRGAN ENERGY - DESIGN & INSPECTION COMPANIES
 EPD/EPC CONTRACTOR (GC): PETROIRAN DEVELOPMENT COMPANY
 PEDCO

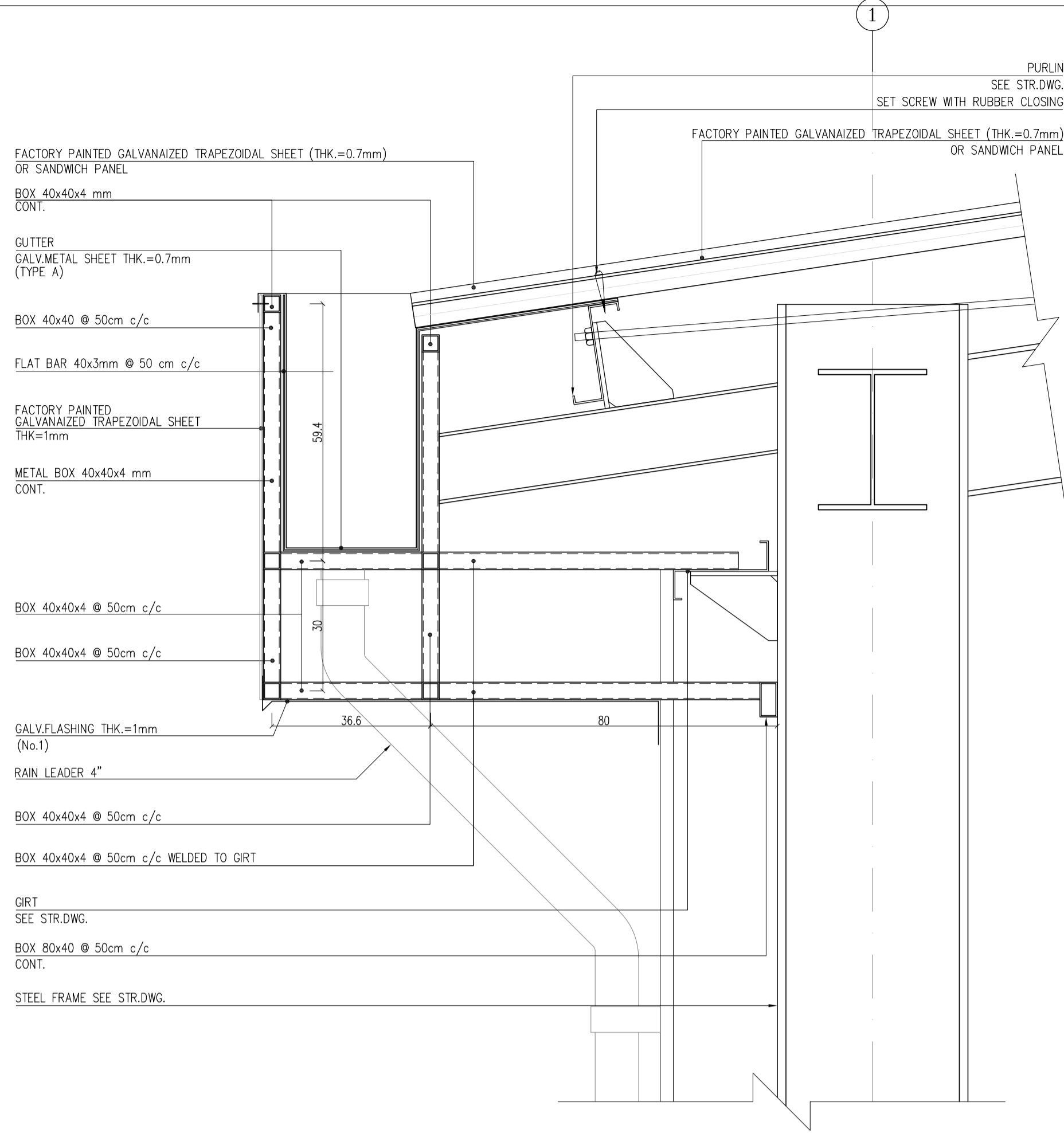
DRAWING TITLE: STANDARD DRAWING FOR ARCHITECTURAL DETAILS
 SCALE: A1
 DRAWING NO.: BK-GNRL-PEDCO-000-AR-DW-0001
 SHEET NO.: 09 OF 19
 REV.: D00

BINAK OILFIELD DEVELOPMENT SURFACE FACILITIES GAS COMPRESSOR STATION
 THE ORIGINAL AND ALL COPIES OF THIS DRAWING TOGETHER WITH THE COPYRIGHT THEREIN ARE THE SOLE PROPERTY OF N.I.S.O.C./ FIELDS

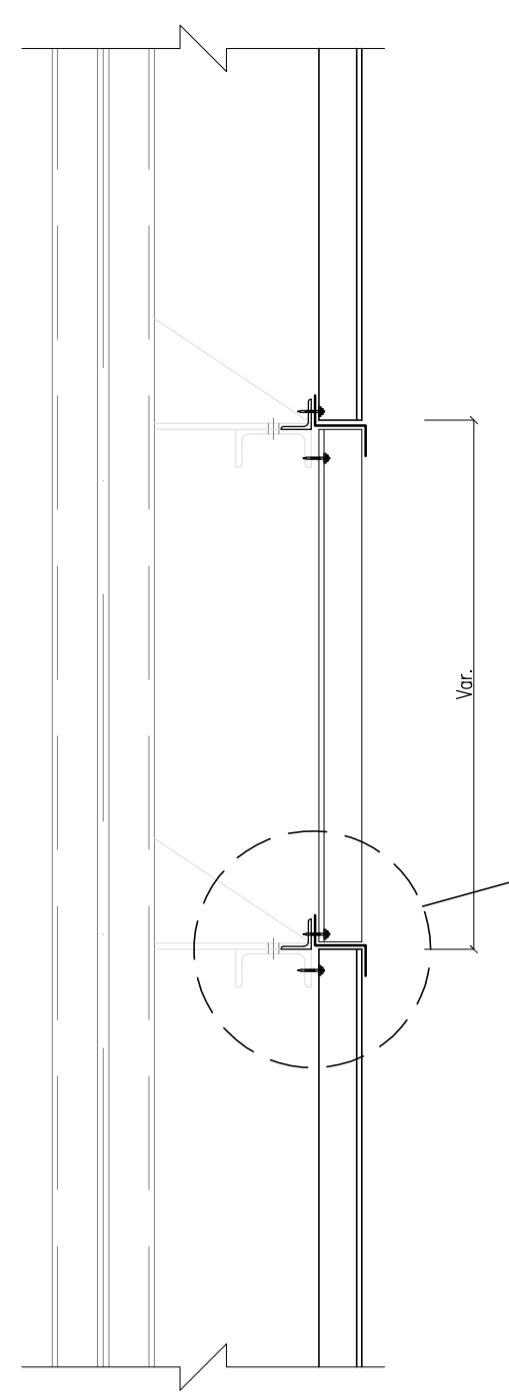
DATE	SCALE	DRAWING BY	CHECKED BY	PROJECT ENG.

NO CONSTRUCTION PERMITTED UNLESS DRAWING APPROVED

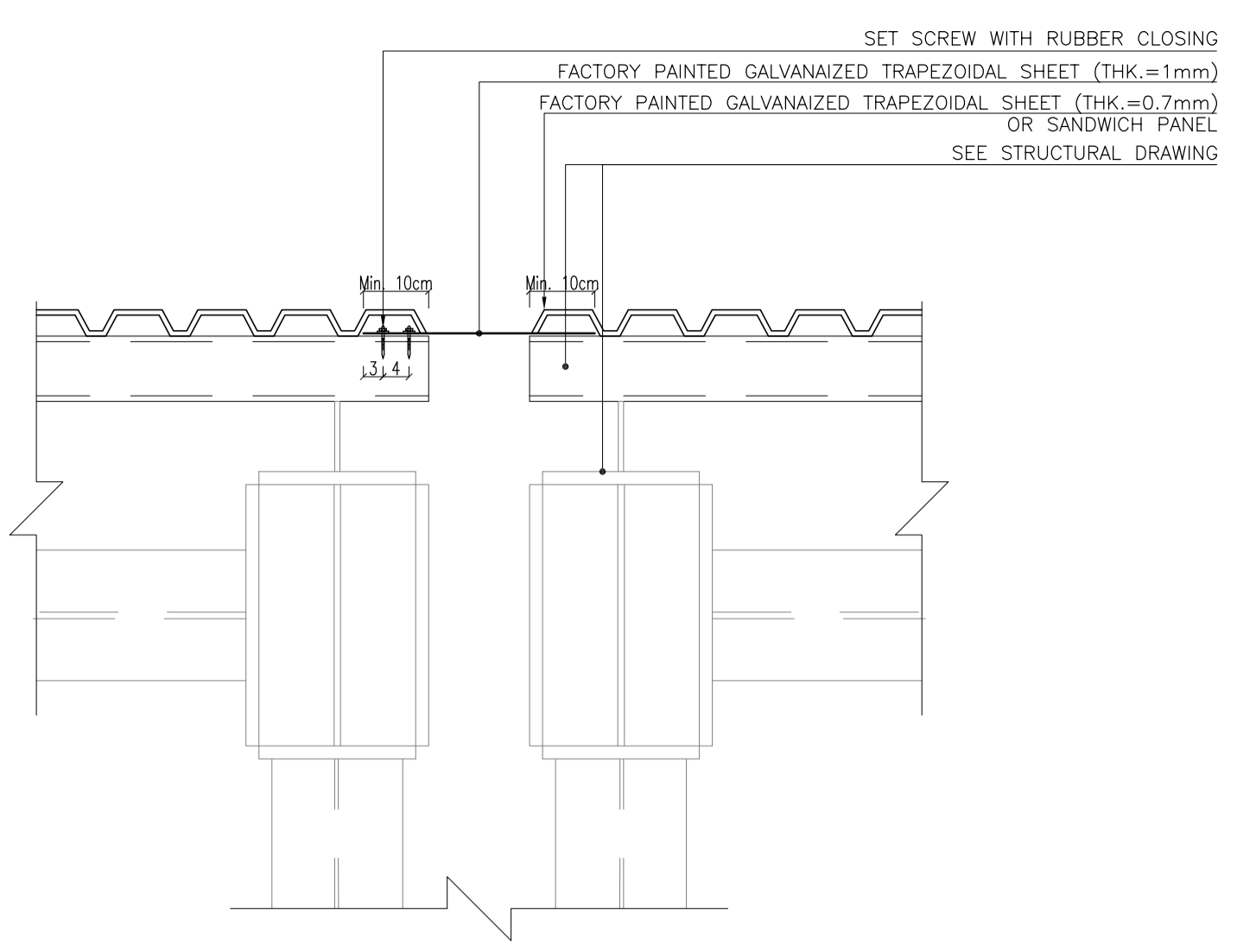
BUDGET REF.	LOCATION	SIZE	CLASS	SERIAL NO.	SHEET	REVISION
*****	A1	BK-GNRL-PEDCO-000-AR-DW-0001	09 OF 19	D00		



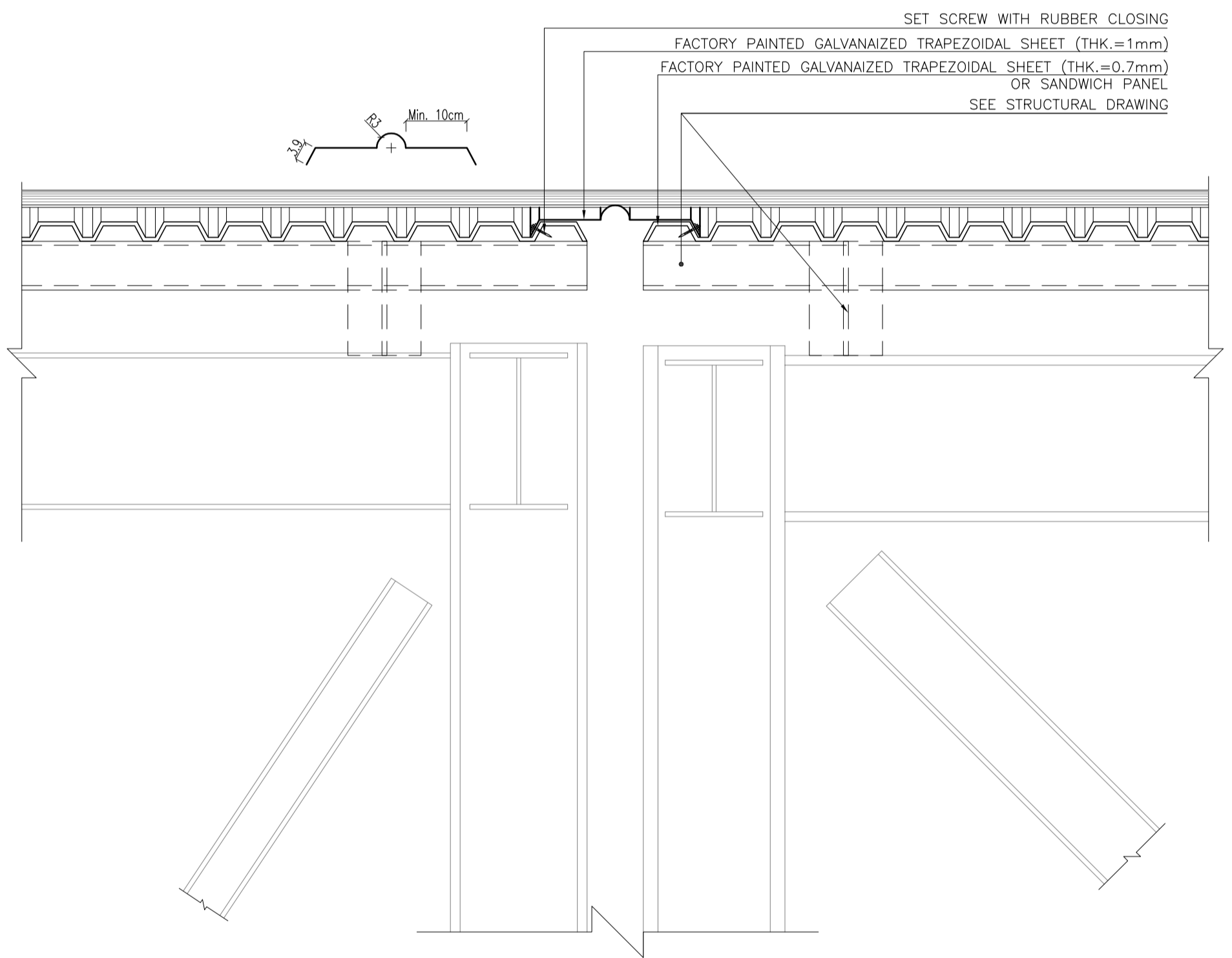
GUTTER DETAIL
Sc:1/10 DETAIL-42



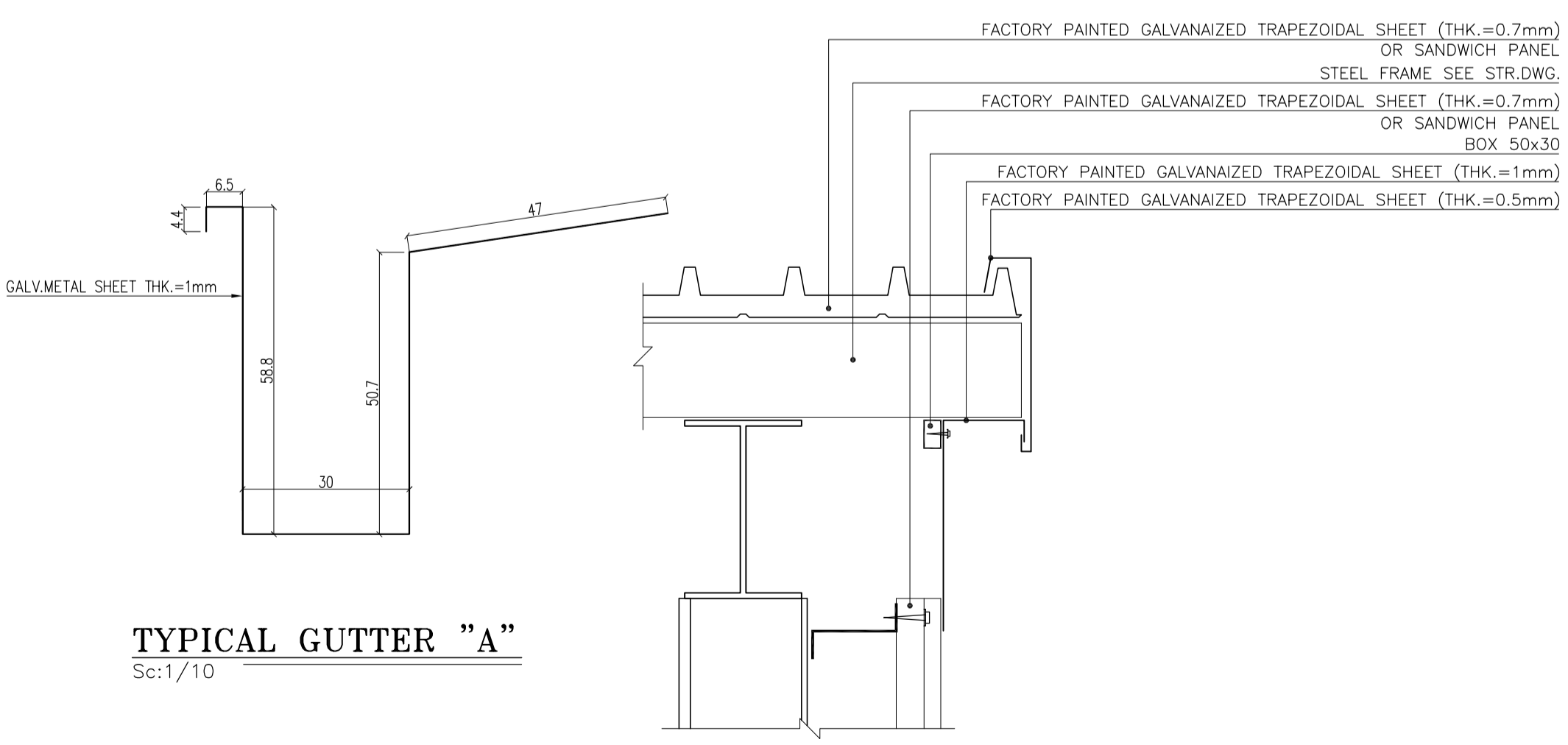
POLYCARBONATE SHEET DETAIL
Sc:1/10 DETAIL-43



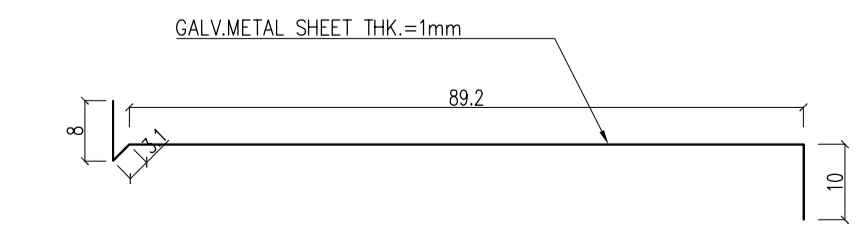
TYPICAL EXPANSTION JOINT DETAIL (WALL)
Sc:1/10 DETAIL-44



TYPICAL EXPANSTION JOINT DETAIL (ROOF)
Sc:1/10 DETAIL-47

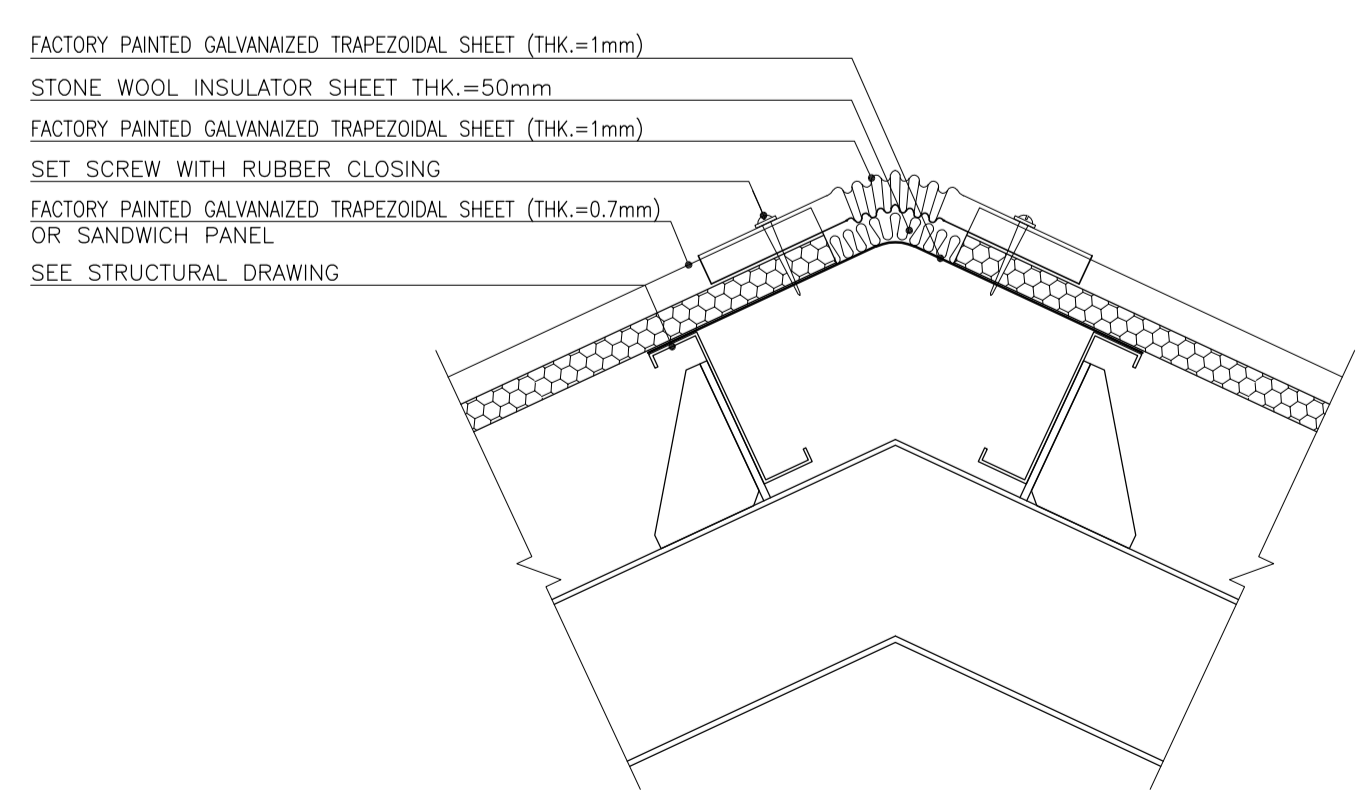


TYPICAL GUTTER "A"
Sc:1/10



FLASHING "1"
Sc:1/10

DETAIL OF CEILING CONNECTION
Sc:1/10 DETAIL-45



IMPLEMENTING DETAIL FOR TOP OF THE SOLE
Sc:1/10 DETAIL-46

- NOTES**
- ALL DIMENSIONS ARE IN CENTIMETER & ALL ELEVATIONS ARE IN METER.
 - ALL DIMENSIONS AND ELEVATIONS SHALL BE CHECKED BY THE CONTRACTOR PRIOR TO CONSTRUCTION.
 - CONTRACTOR SHALL COMPARE ALL ARCHITECTURAL, MECHANICAL, ELECTRICAL, PIPING AND STRUCTURAL DRAWINGS AND IN CASE OF ANY CONFLICTS OR DISCREPANCY, INFORM THE ENGINEER.
 - ALL MATERIALS ARE SELECTED FROM THE HIGHEST QUALITY.
 - ALL OPENINGS FOR PIPING/CABLING SHALL BE CONSIDERED AS PER RELATED DRAWINGS BEFORE CONSTRUCTION.

LEGEND

REFERENCE DRAWING	DRG. No.
*****	*****

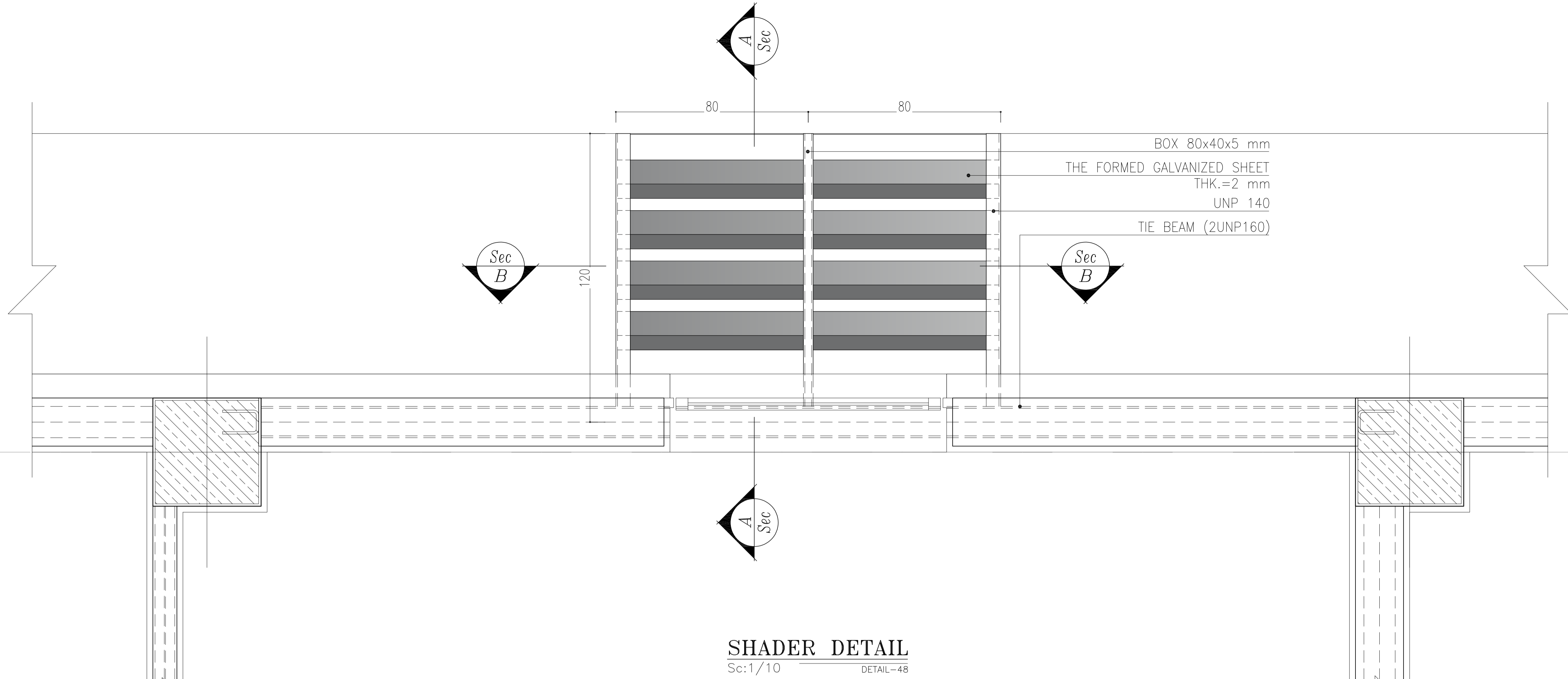
KEY PLAN

REV.	DESCRIPTION	BY	DATE	BY	DATE
***	*****	**	****	**	****
D00	DEC.2021	IPC	R.BRLOUIE	M.FAKHARIAN	M.Mehrshad
REV.	DATE	P.O.I.S	PREP.	CHK.	APP.
PROJECT NAME:	BINAK OILFIELD DEVELOPMENT/SURFACE FACILITIES GAS COMPRESSOR STATION				
PROJECT NO.:	971020				
EPC CONTRACTOR:	HIRGAN ENERGY - DESIGN & INSPECTION COMPANIES				
EPD/EPC CONTRACTOR (GC):	PETROIRAN DEVELOPMENT COMPANY				
DRAWING TITLE: STANDARD DRAWING FOR ARCHITECTURAL DETAILS					
NO CONSTRUCTION PERMITTED UNLESS DRAWING APPROVED					
APPROVED FOR CONSTRUCTION					
BUDGET REF.	LOCATION	SIZE	CLASS	SERIAL NO.	DATE:
*****	A1	BK-GNRL-PEDCO-000-AR-DW-0001	10 OF 19	D00	REVISION

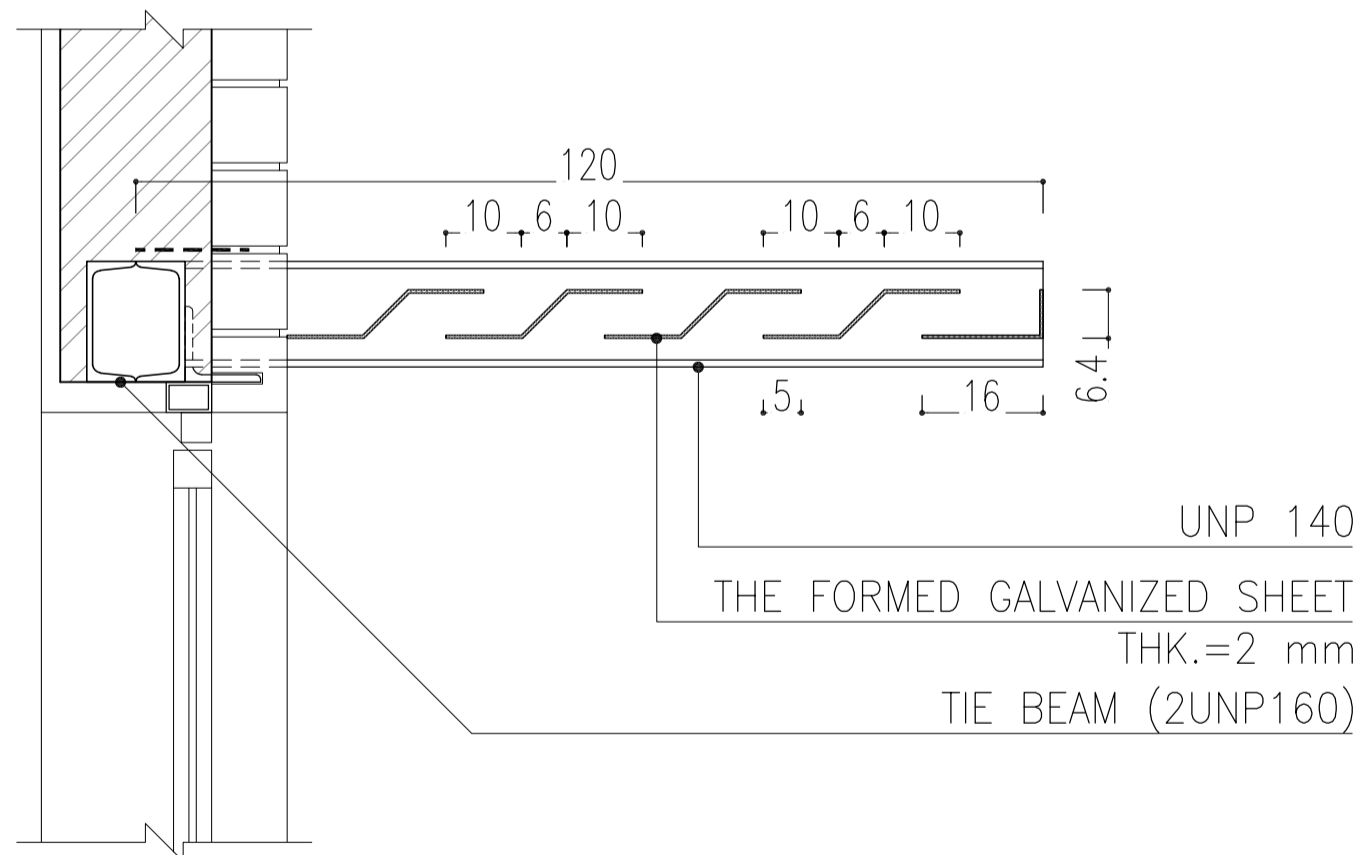
اصل و کلیه نسخ این نقشه و حق اقتباس متعلق به شرکت ملی مناطق نفت خیز جنوب میباشد.
THE ORIGINAL AND ALL COPIES OF THIS DRAWING TOGETHER WITH THE COPYRIGHT THEREIN ARE THE SOLE PROPERTY OF N.I.S.O.C./ FIELDS

BINAK OILFIELD DEVELOPMENT SURFACE FACILITIES GAS COMPRESSOR STATION

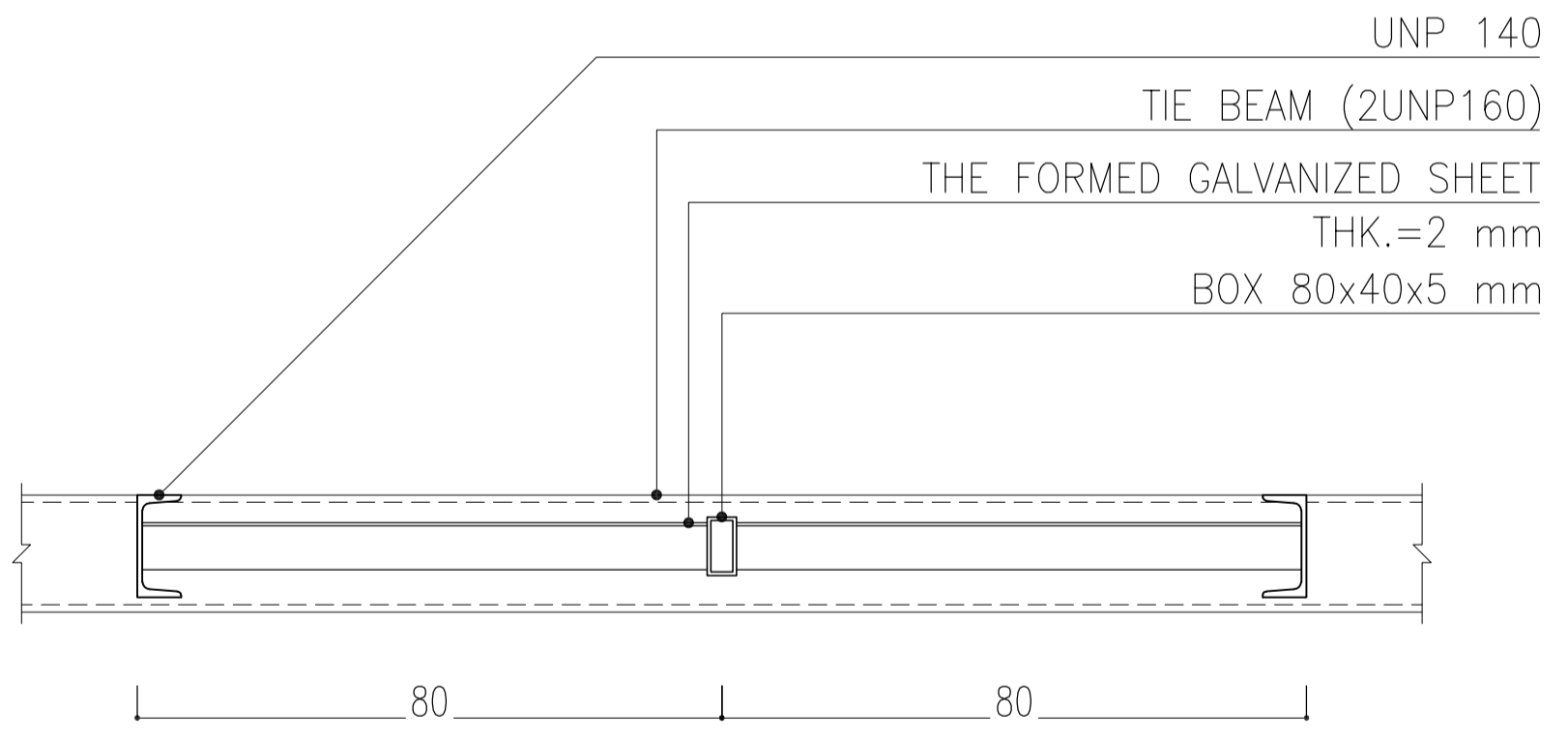
(VENDOR TITLE BLOCK)**



SHADER DETAIL
Sc:1/10 DETAIL-48



SECTION A-A
Sc:1/10



SECTION B-B
Sc:1/10

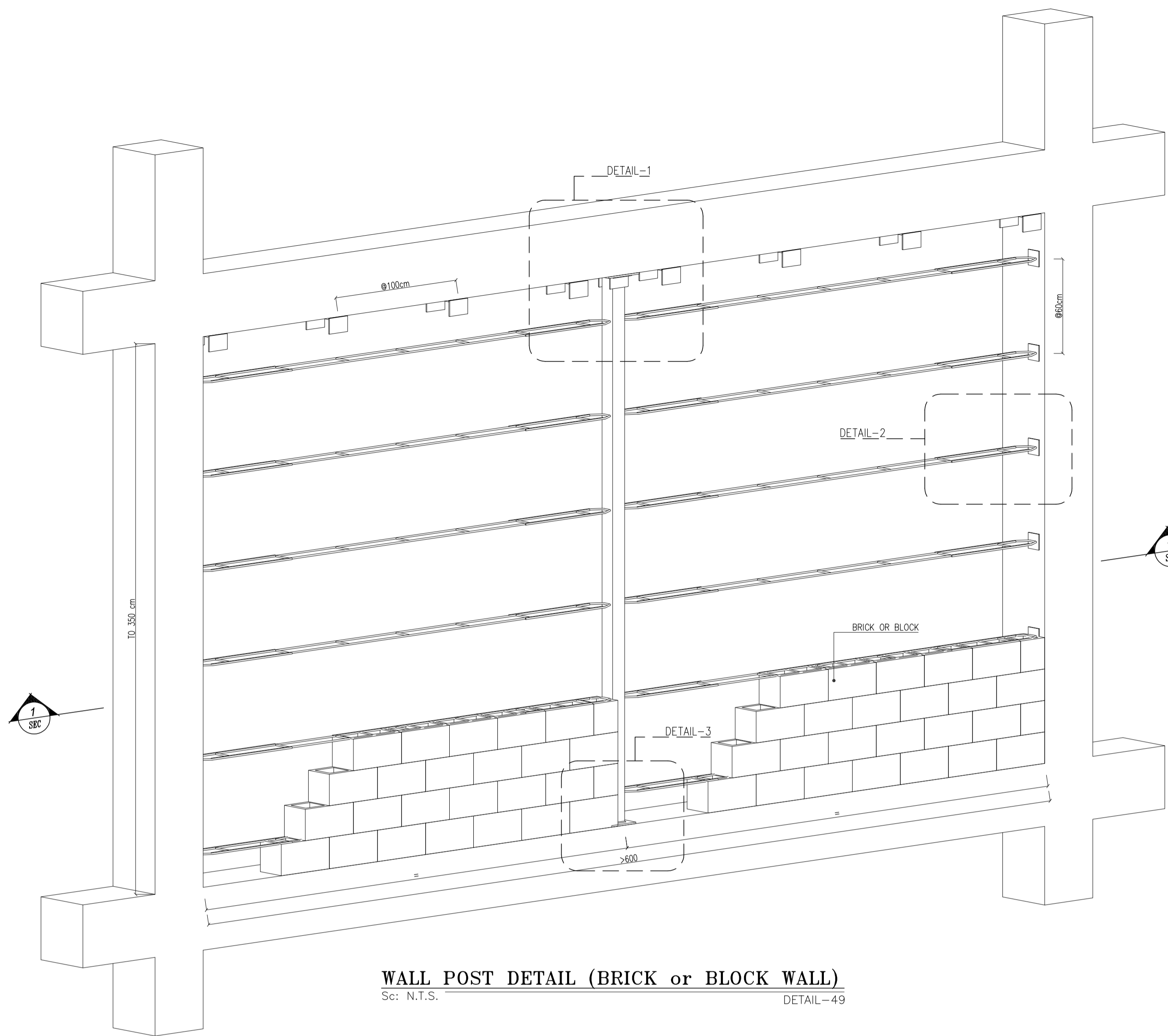
- NOTES**
1. ALL DIMENSIONS ARE IN CENTIMETER & ALL ELEVATIONS ARE IN METER.
 2. ALL DIMENSIONS AND ELEVATIONS SHALL BE CHECKED BY THE CONTRACTOR PRIOR TO CONSTRUCTION.
 3. CONTRACTOR SHALL COMPARE ALL ARCHITECTURAL, MECHANICAL, ELECTRICAL, PIPING AND STRUCTURAL DRAWINGS AND IN CASE OF ANY CONFLICTS OR DISCREPANCY, INFORM THE ENGINEER.
 4. ALL MATERIALS ARE SELECTED FROM THE HIGHEST QUALITY.
 5. ALL OPENINGS FOR PIPING/CABLING SHALL BE CONSIDERED AS PER RELATED DRAWINGS BEFORE CONSTRUCTION.

LEGEND

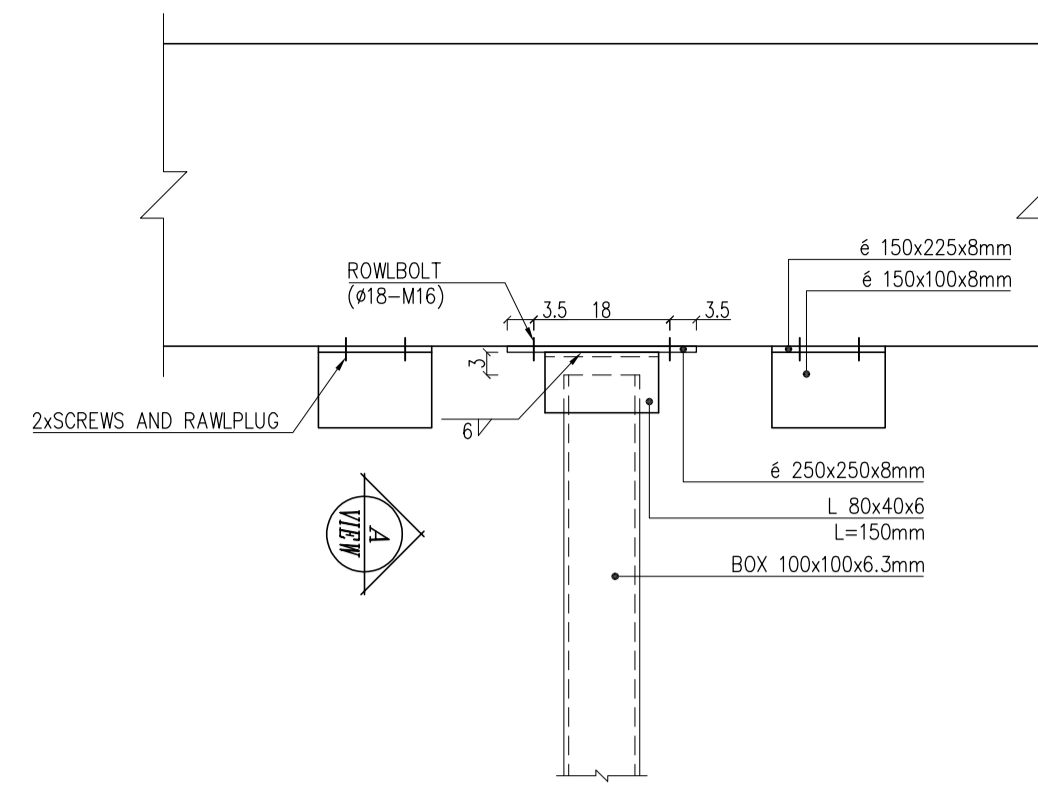
REFERENCE DRAWING	DRG. No.
*****	*****

KEY PLAN

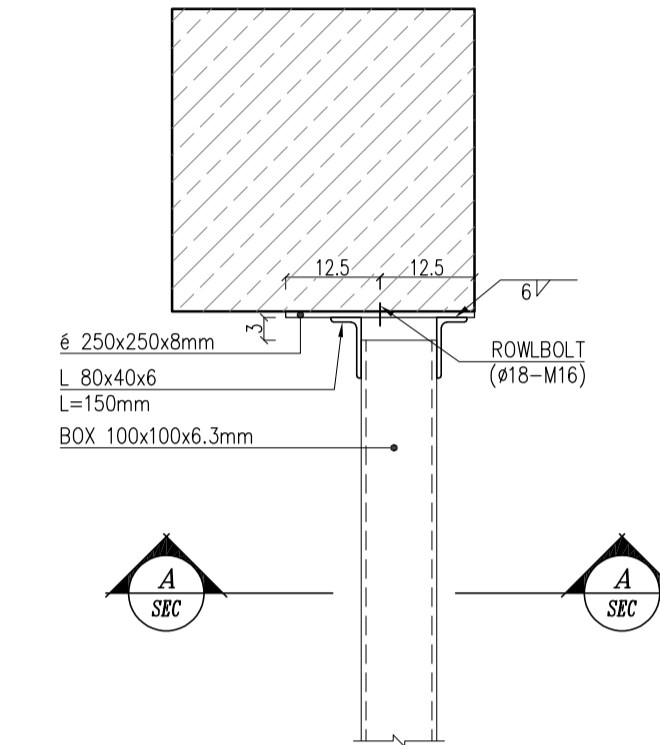
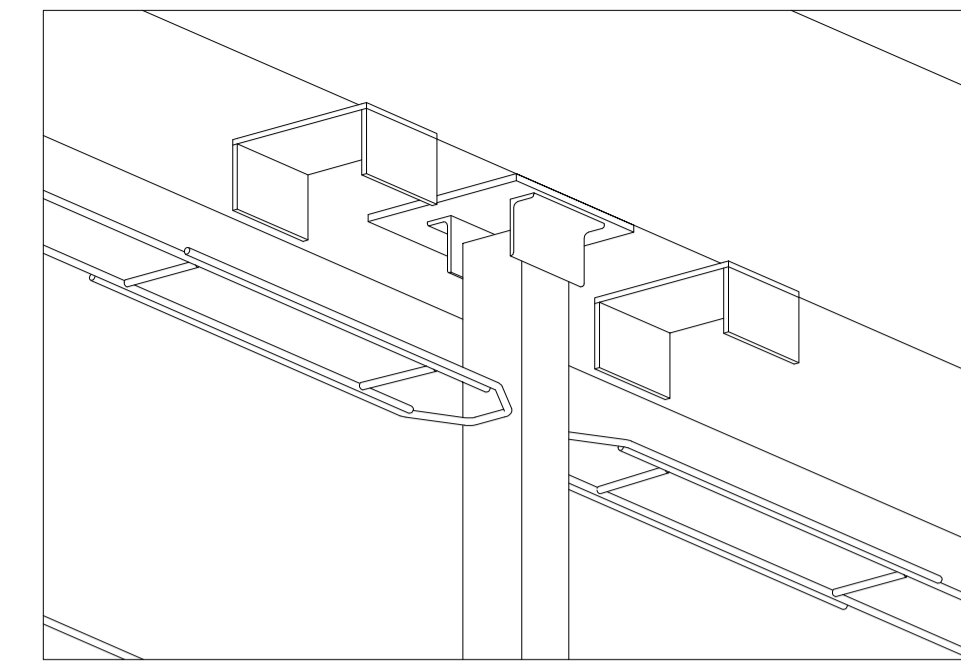
REV.	DESCRIPTION	BY	DATE	BY	DATE	
***	*****	**	****	**	****	
D00	DEC-2021	IPC	RBRLOUE	M.FAKHARIAN	M.Mehrshad	
REV.	DATE	P.O.I.S	PREP.	CHK.	APP.	AUT.
PROJECT NAME: BINAK OILFIELD DEVELOPMENT/SURFACE FACILITIES GAS COMPRESSOR STATION PROJECT NO.: 971020 EPC CONTRACTOR: HIRGAN ENERGY - DESIGN & INSPECTION COMPANIES EPD/EPC CONTRACTOR (GC): PETROIRAN DEVELOPMENT COMPANY PEDCO						
DRAWING TITLE: STANDARD DRAWING FOR ARCHITECTURAL DETAILS SCALE: A1 SIZE: BK-GNRL-PEDCO-000-AR-DW-0001 SHEET NO: 11 OF 19 REV: D00						
THE ORIGINAL AND ALL COPIES OF THIS DRAWING TOGETHER WITH THE COPYRIGHT THEREIN ARE THE SOLE PROPERTY OF N.I.S.O.C./ FIELDS						
NO CONSTRUCTION PERMITTED UNLESS DRAWING APPROVED APPROVED FOR CONSTRUCTION BY: DATE:						
BUDGET REF. LOCATION SIZE CLASS SERIAL NO. SHEET REVISION						



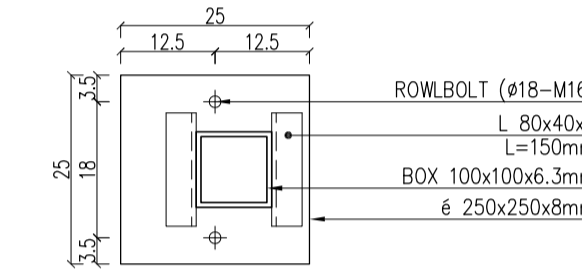
WALL POST DETAIL (BRICK or BLOCK WALL)
Sc: N.T.S. DETAIL-49



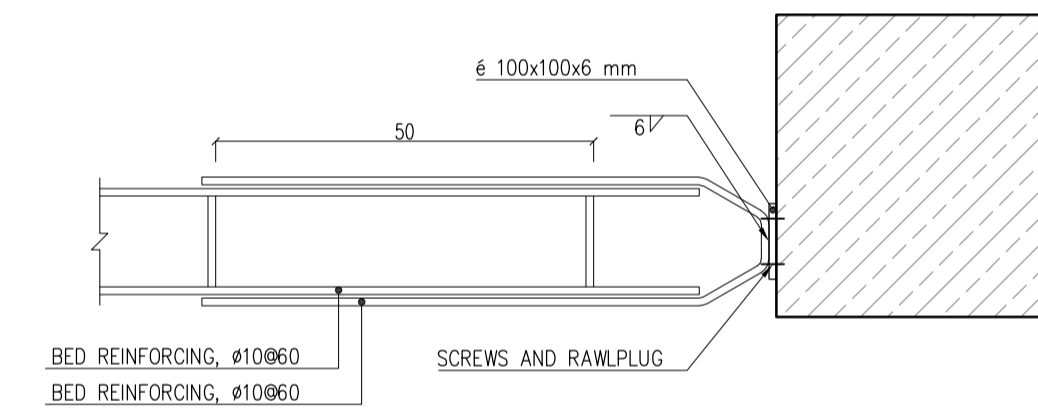
DETAIL-1
Sc:1/10



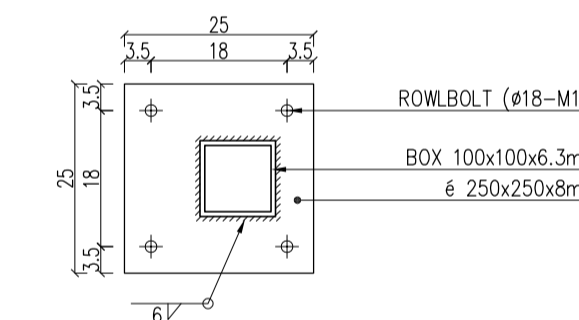
VIEW-A
Sc:1/10



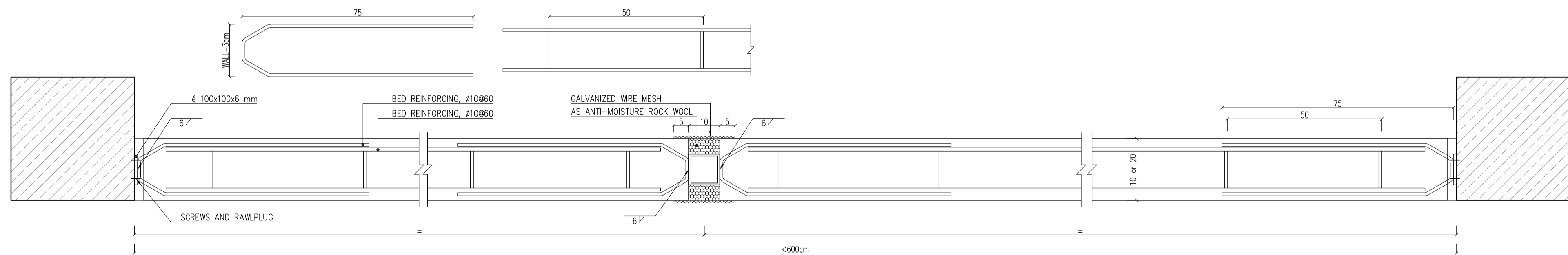
SECTION A-A
Sc:1/10



DETAIL-2
Sc:1/10



DETAIL-3
Sc:1/10



SECTION 1-1
Sc:1/10

- THE FREE LENGTH OF EACH WALL SHOULD NOT EXCEED 40X OF ITS THICKNESS OR 6m.
- THE FREE HEIGHT OF EACH WALL SHOULD NOT EXCEED 3.5m.
- THE WALL SEPARATION DISTANCE FROM THE COLUMNS IS 0.01 OF THE HEIGHT OF THE FLOOR, AND THE SEPARATION DISTANCE FROM THE CEILING IS HIGHER VALUE OF 25mm OR THE MAXIMUM LONG-TERM RISE OF THE BEAM, WHICH SHOULD BE COVERED WITH COMPACTING MATERIALS SUCH AS ANTI-MOISTURE ROCK WOOL.

NOTES

1. ALL DIMENSIONS ARE IN CENTIMETER & ALL ELEVATIONS ARE IN METER.
2. ALL DIMENSIONS AND ELEVATIONS SHALL BE CHECKED BY THE CONTRACTOR PRIOR TO CONSTRUCTION.
3. CONTRACTOR SHALL COMPARE ALL ARCHITECTURAL, MECHANICAL, ELECTRICAL, PIPING AND STRUCTURAL DRAWINGS AND IN CASE OF ANY CONFLICTS OR DISCREPANCY, INFORM THE ENGINEER.
4. ALL MATERIALS ARE SELECTED FROM THE HIGHEST QUALITY.
5. ALL OPENINGS FOR PIPING/CABLING SHALL BE CONSIDERED AS PER RELATED DRAWINGS BEFORE CONSTRUCTION.

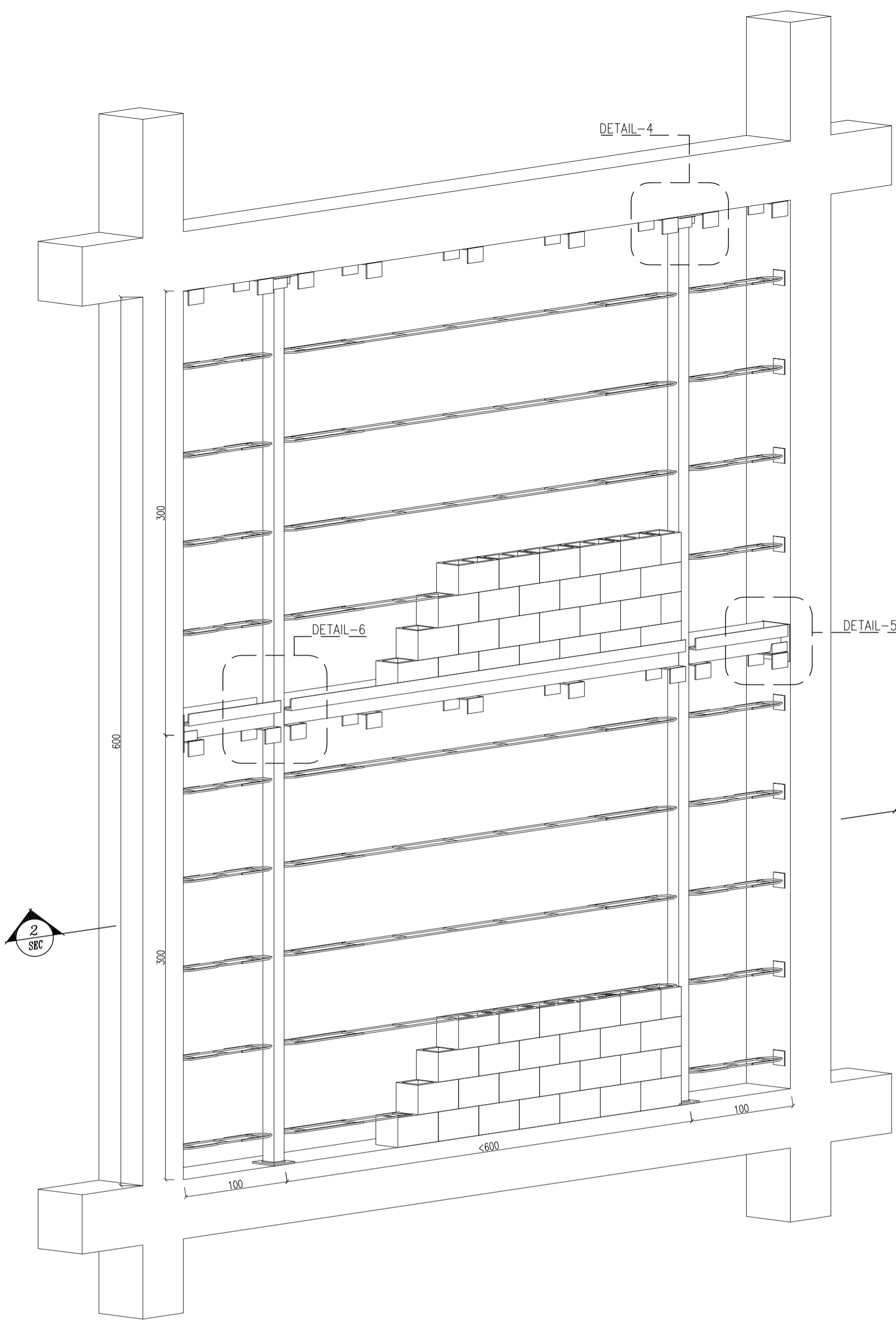
LEGEND

REFERENCE DRAWING	DRG. No.
*****	*****

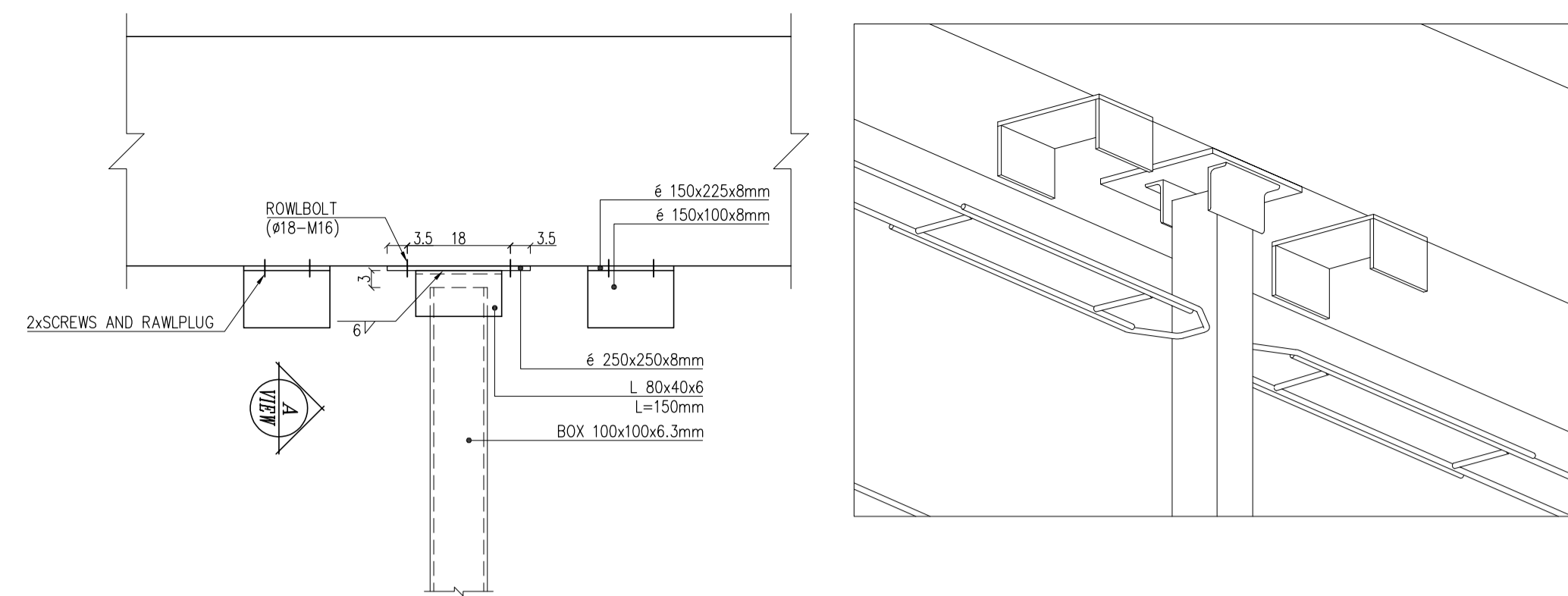
KEY PLAN

REV.	DATE	DESCRIPTION	BY	DATE	BY	DATE
000	*****	*****	*****	*****	*****	*****
D00	DEC.2021	IPC	R.BRLOUE	M.FAKHARIAN	M.Mehrshad	000
REV.	DATE	P.O.I.S	PREP.	CHK.	APP.	AUT.
PROJECT NAME: BINAK OILFIELD DEVELOPMENT/SURFACE FACILITIES GAS COMPRESSOR STATION						
PROJECT NO.: 971020						
EPC CONTRACTOR:			EPD/EPC CONTRACTOR (GC):			
HIRGAN ENERGY - DESIGN & INSPECTION COMPANIES			PEDCO			
DRAWING TITLE: STANDARD DRAWING FOR ARCHITECTURAL DETAILS						
NO CONSTRUCTION PERMITTED UNLESS DRAWING APPROVED						
APPROVED FOR CONSTRUCTION BY: DATE:						
SCALE	SIZE	DRAWING NO.	SHEET NO.	REV.	BUDGET REF.	LOCATION
*****	A1	BK-GNRL-PEDCO-000-AR-DW-0001	12 OF 19	D00		
					SIZE	CLASS
					SERIAL NO.	SHEET
					REVISION	

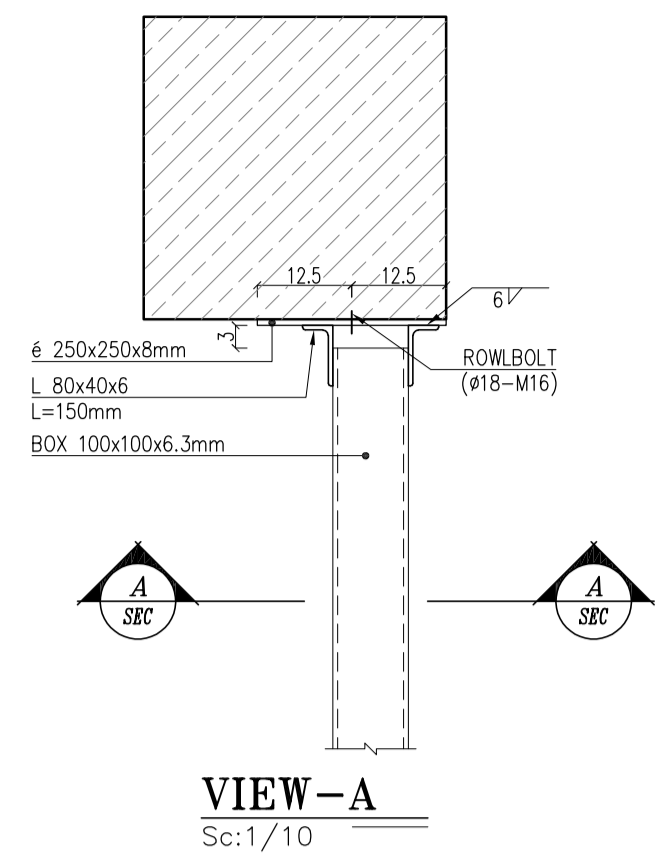
(VENDOR TITLE BLOCK)**



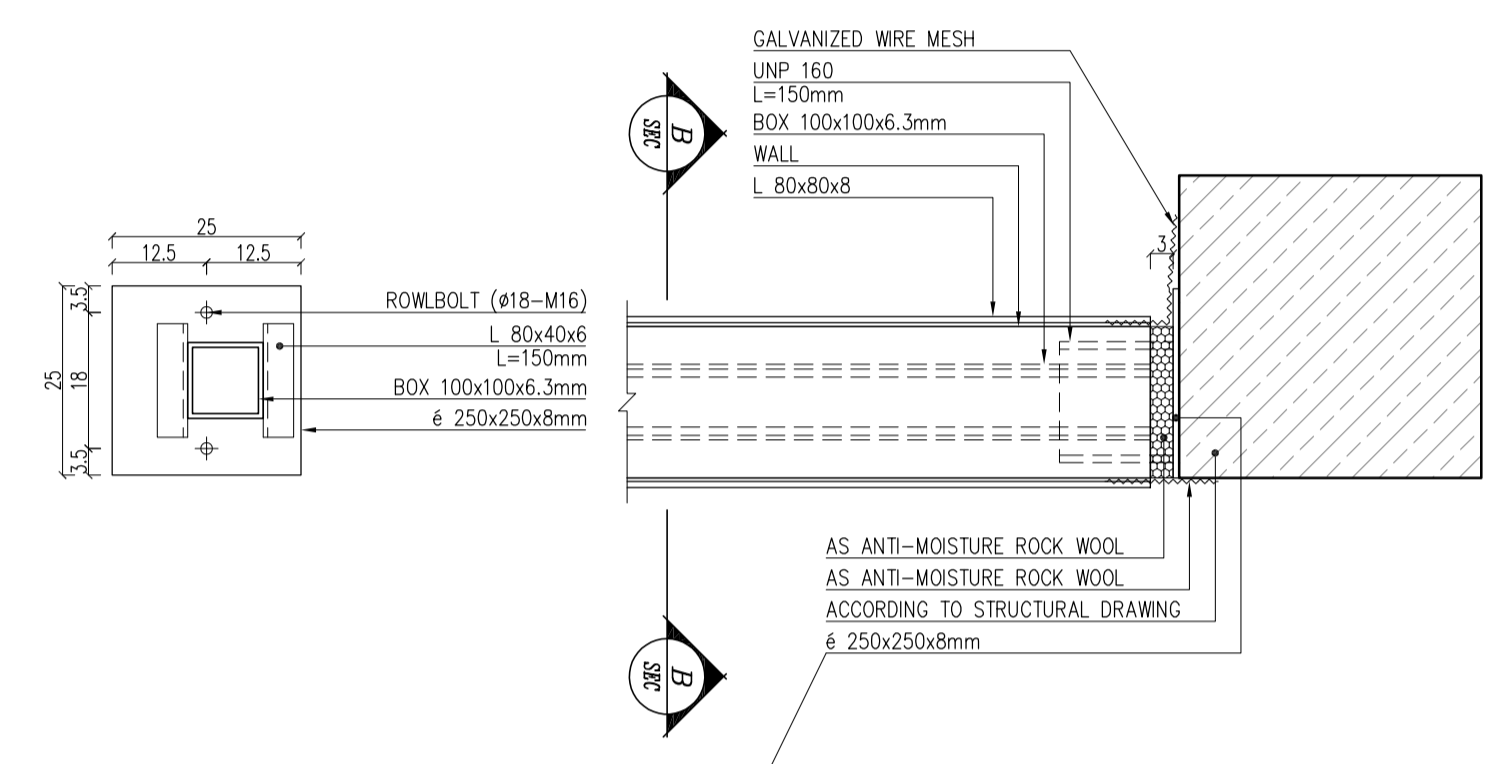
WALL POST DETAIL (BRICK or BLOCK WALL)
Sc: N.T.S. DETAIL-50



DETAIL-4
Sc:1/10

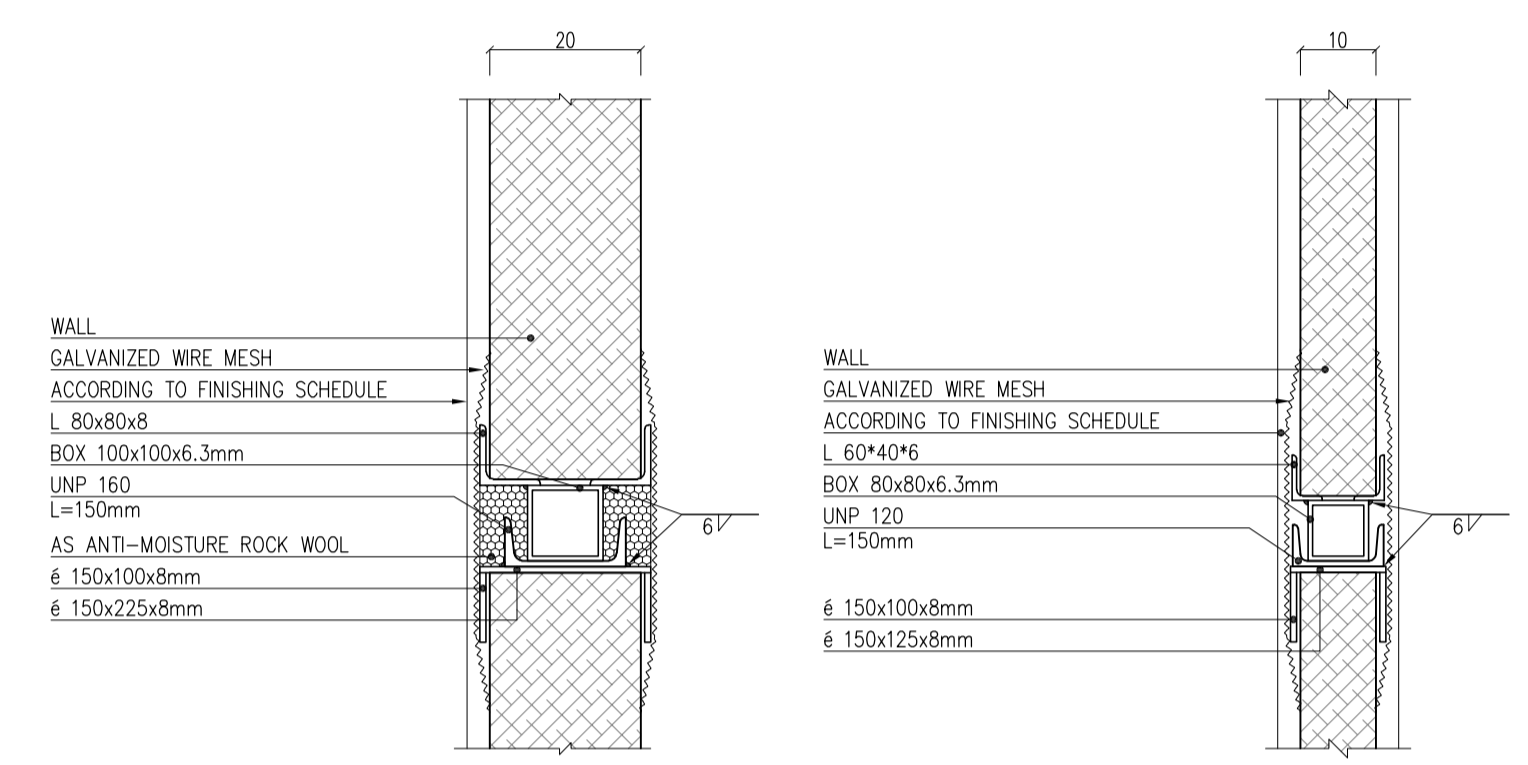


VIEW-A
Sc:1/10

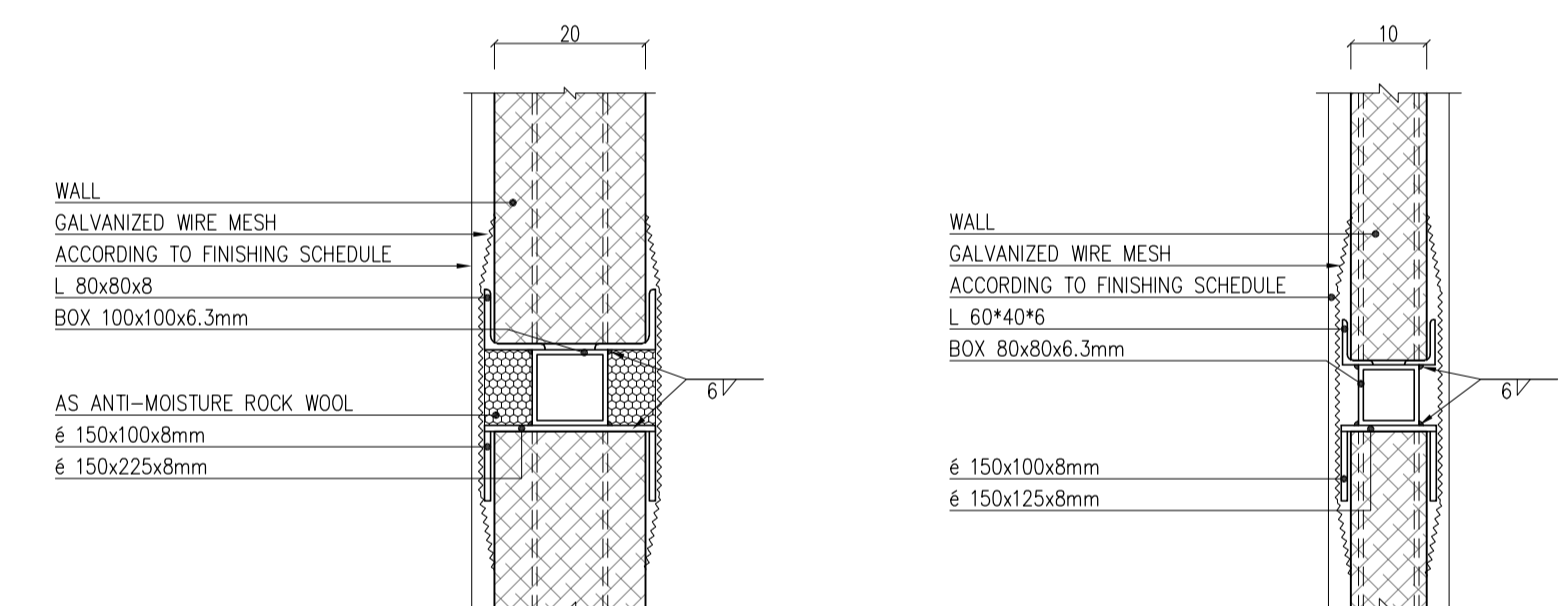


SECTION A-A
Sc:1/10

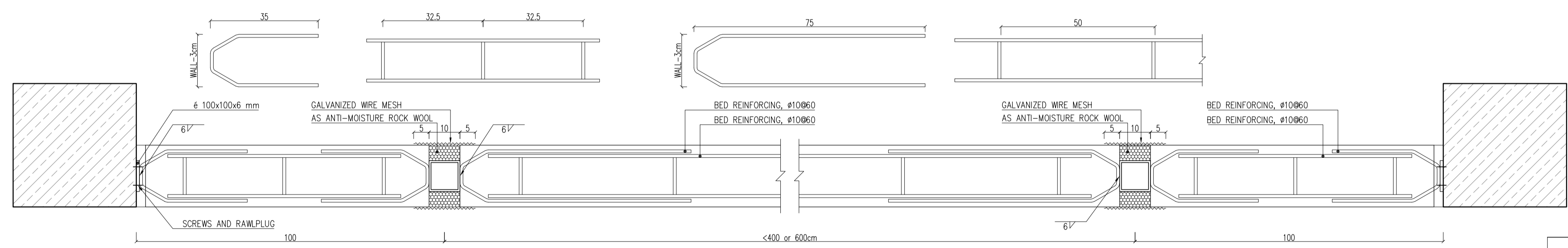
DETAIL-5
Sc:1/10



SECTION B-B
Sc:1/10



DETAIL-6
Sc:1/10



SECTION 2-2
Sc:1/10

- THE FREE LENGTH OF EACH WALL SHOULD NOT EXCEED 40X OF ITS THICKNESS OR 6m.
- THE FREE HEIGHT OF EACH WALL SHOULD NOT EXCEED 3.5m.
- THE WALL SEPARATION DISTANCE FROM THE COLUMNS IS 0.01 OF THE HEIGHT OF THE FLOOR, AND THE SEPARATION DISTANCE FROM THE CEILING IS HIGHER VALUE OF 25mm OR THE MAXIMUM LONG-TERM RISE OF THE BEAM, WHICH SHOULD BE COVERED WITH COMPACTING MATERIALS SUCH AS ANTI-MOISTURE ROCK WOOL.

- NOTES**
1. ALL DIMENSIONS ARE IN CENTIMETER & ALL ELEVATIONS ARE IN METER.
 2. ALL DIMENSIONS AND ELEVATIONS SHALL BE CHECKED BY THE CONTRACTOR PRIOR TO CONSTRUCTION.
 3. CONTRACTOR SHALL COMPARE ALL ARCHITECTURAL, MECHANICAL, ELECTRICAL, PIPING AND STRUCTURAL DRAWINGS AND IN CASE OF ANY CONFLICTS OR DISCREPANCY, INFORM THE ENGINEER.
 4. ALL MATERIALS ARE SELECTED FROM THE HIGHEST QUALITY.
 5. ALL OPENINGS FOR PIPING/CABLING SHALL BE CONSIDERED AS PER RELATED DRAWINGS BEFORE CONSTRUCTION.

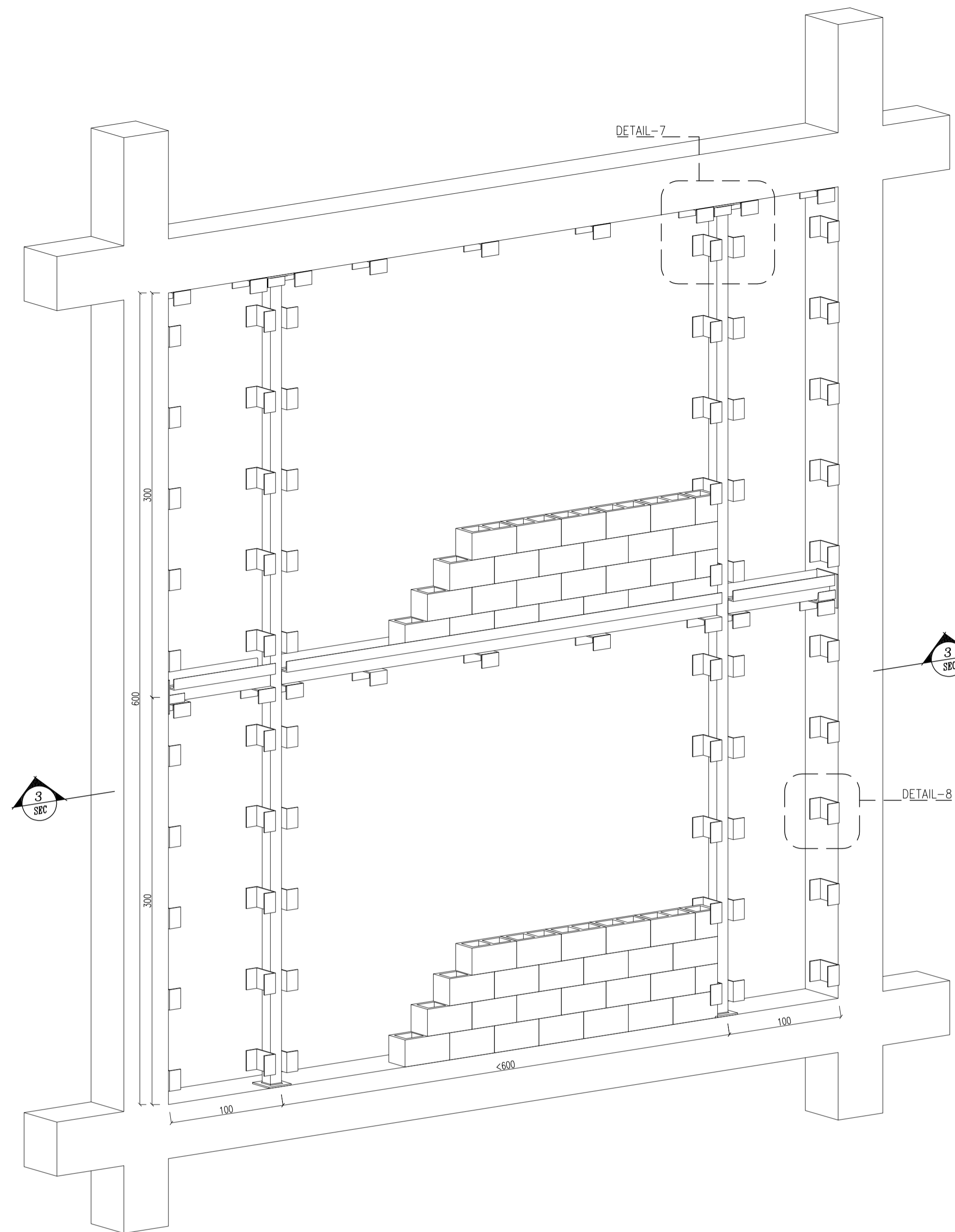
LEGEND

REFERENCE DRAWING	DRG. No.
*****	*****

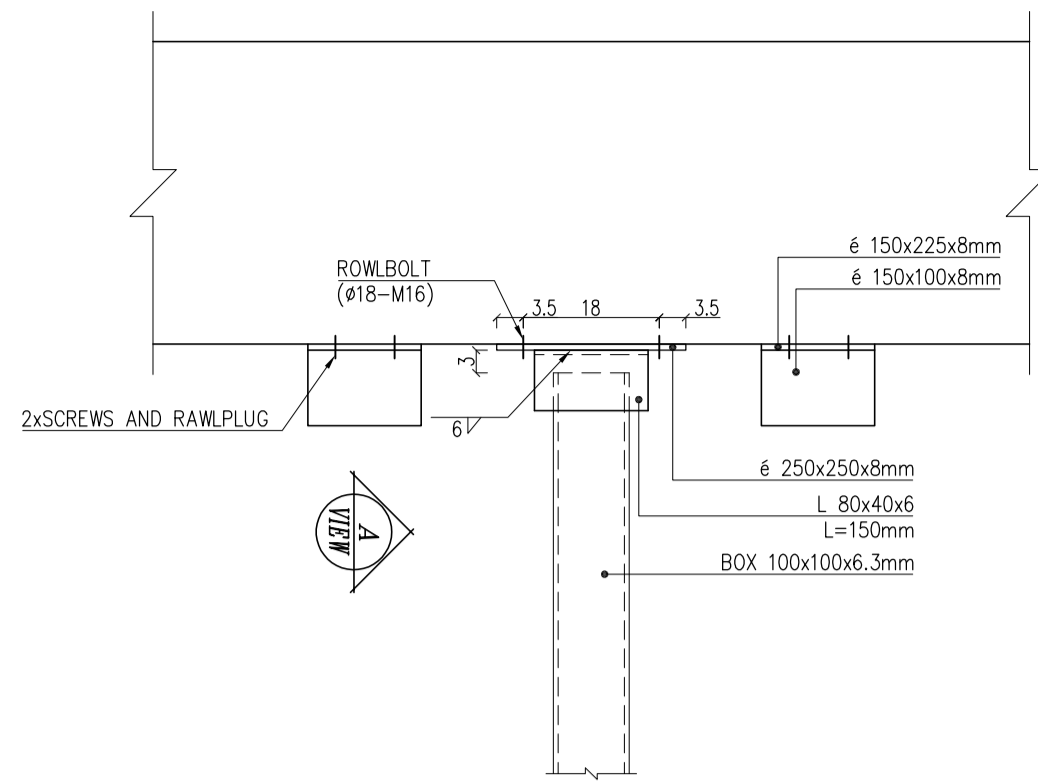
KEY PLAN

REV.	DESCRIPTION	BY	DATE	BY	DATE
D00	DEC-2021	IPC	R.BRLOUE	M.FAKHARIAN	M.Mehrshad
REV.	DATE	P.O.I.S	PREP.	CHK.	APP.
PROJECT NAME: BINAK OILFIELD DEVELOPMENT/SURFACE FACILITIES GAS COMPRESSOR STATION					
PROJECT NO.: 971020					
EPC CONTRACTOR: HIRGAN ENERGY			EPD/EPC CONTRACTOR (GC): PETROIRAN DEVELOPMENT COMPANY		
DRAWING TITLE: STANDARD DRAWING FOR ARCHITECTURAL DETAILS					
SCALE	SIZE	DRAWING NO.	SHEET NO.	REV.	BUDGET REF.
*****	A1	BK-GNRL-PEDCO-000-AR-DW-0001	13 OF 19	D00	
NO CONSTRUCTION PERMITTED UNLESS DRAWING APPROVED					
APPROVED FOR CONSTRUCTION BY: DATE:					
BUDGET REF.	LOCATION	SIZE CLASS	SERIAL NO.	SHEET	REVISION

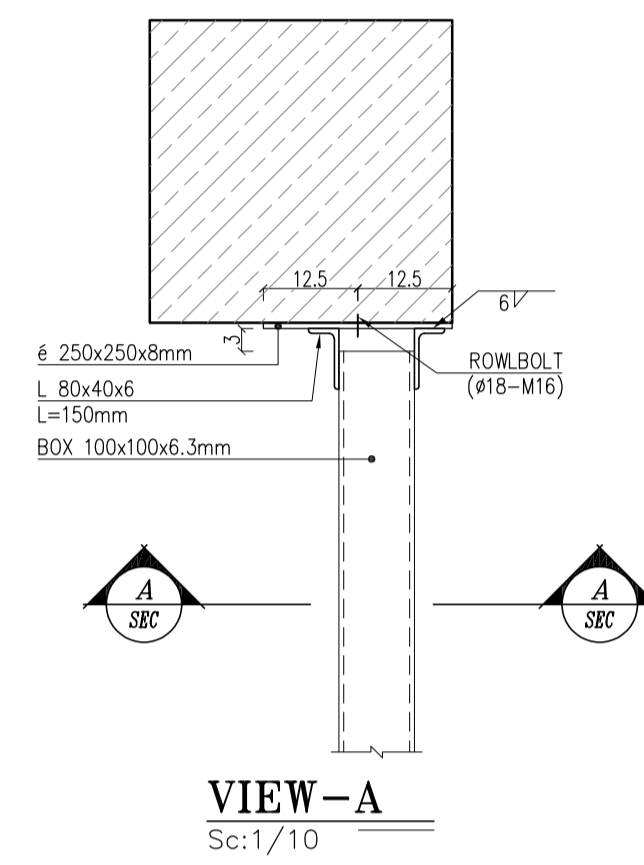
(VENDOR TITLE BLOCK)**



WALL POST DETAIL (BRICK or BLOCK WALL)
Sc: N.T.S. DETAIL-51

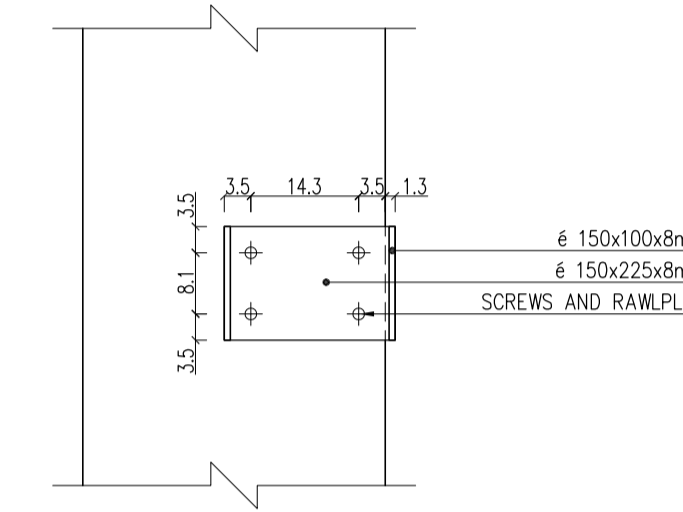


DETAIL-7
Sc:1/10

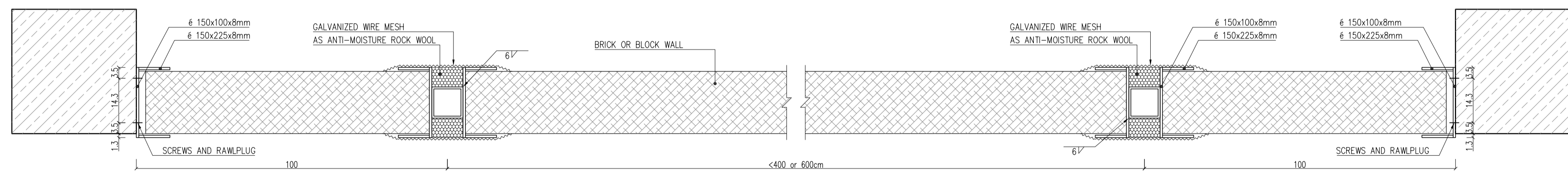


VIEW-A
Sc:1/10

SECTION A-A
Sc:1/10



DETAIL-8
Sc:1/10



SECTION 3-3
Sc:1/10

- THE FREE LENGTH OF EACH WALL SHOULD NOT EXCEED 40X OF ITS THICKNESS OR 6m.
- THE FREE HEIGHT OF EACH WALL SHOULD NOT EXCEED 3.5m.
- THE WALL SEPARATION DISTANCE FROM THE COLUMNS IS 0.01 OF THE HEIGHT OF THE FLOOR, AND THE SEPARATION DISTANCE FROM THE CEILING IS HIGHER VALUE OF 25mm OR THE MAXIMUM LONG-TERM RISE OF THE BEAM, WHICH SHOULD BE COVERED WITH COMPACTING MATERIALS SUCH AS ANTI-MOISTURE ROCK WOOL.

NOTES

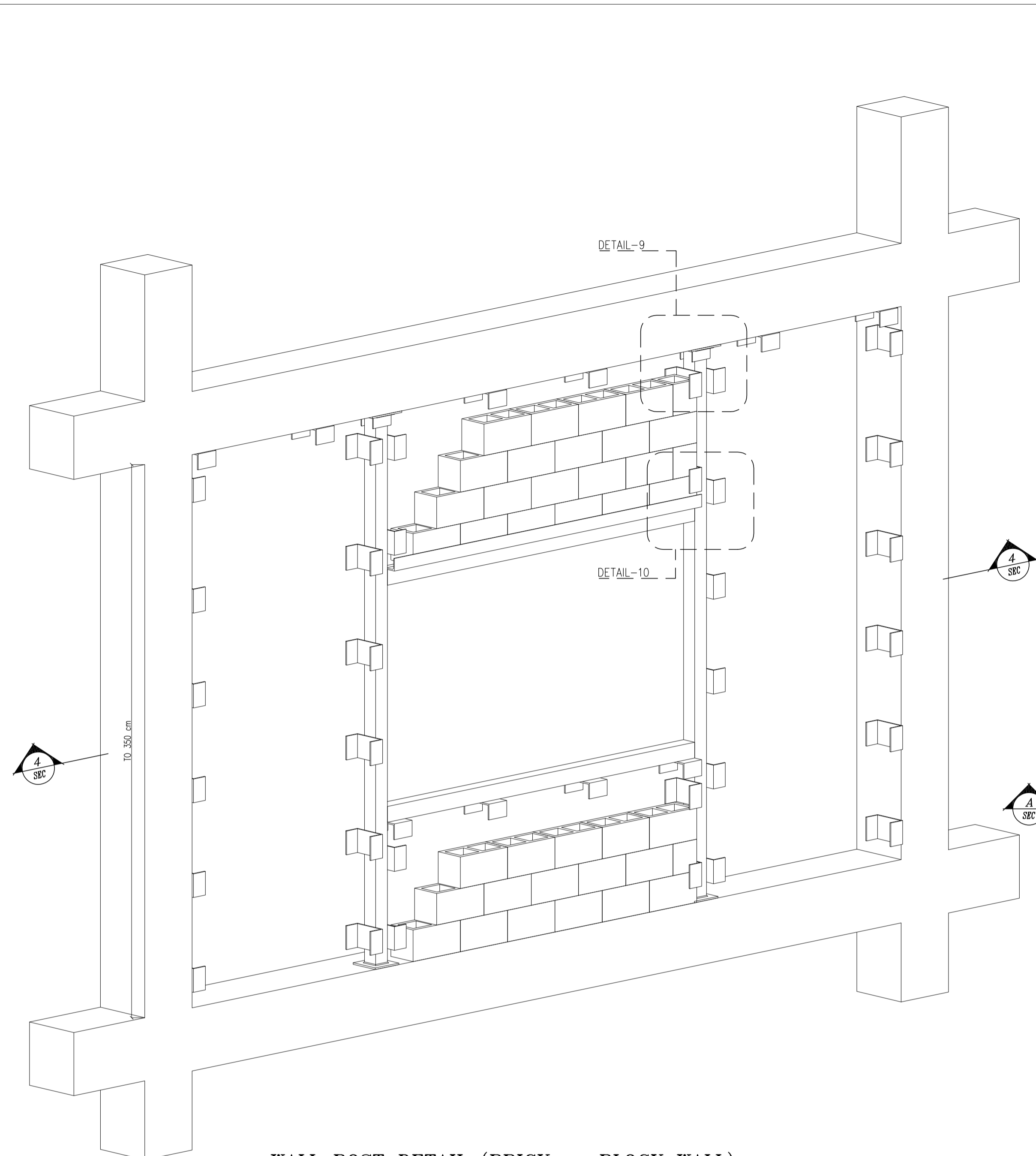
1. ALL DIMENSIONS ARE IN CENTIMETER & ALL ELEVATIONS ARE IN METER.
2. ALL DIMENSIONS AND ELEVATIONS SHALL BE CHECKED BY THE CONTRACTOR PRIOR TO CONSTRUCTION.
3. CONTRACTOR SHALL COMPARE ALL ARCHITECTURAL, MECHANICAL, ELECTRICAL, PIPING AND STRUCTURAL DRAWINGS AND IN CASE OF ANY CONFLICTS OR DISCREPANCY, INFORM THE ENGINEER.
4. ALL MATERIALS ARE SELECTED FROM THE HIGHEST QUALITY.
5. ALL OPENINGS FOR PIPING/CABLING SHALL BE CONSIDERED AS PER RELATED DRAWINGS BEFORE CONSTRUCTION.

LEGEND

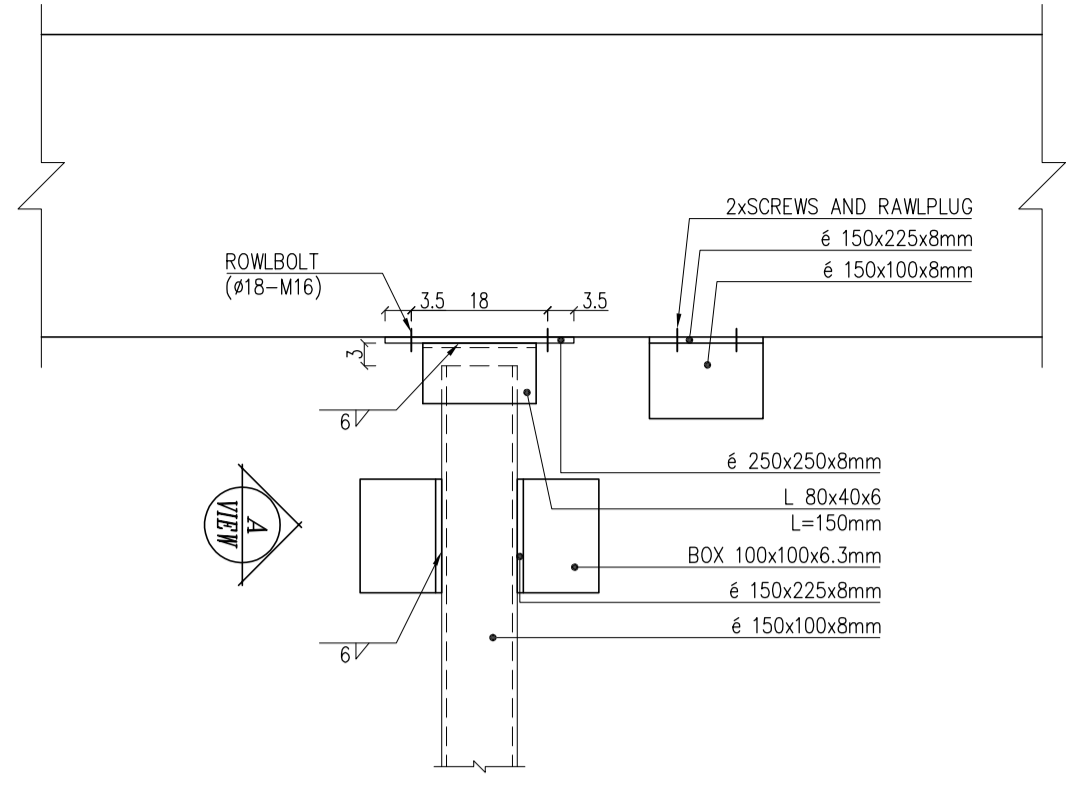
REFERENCE DRAWING	DRG. No.
*****	*****

KEY PLAN

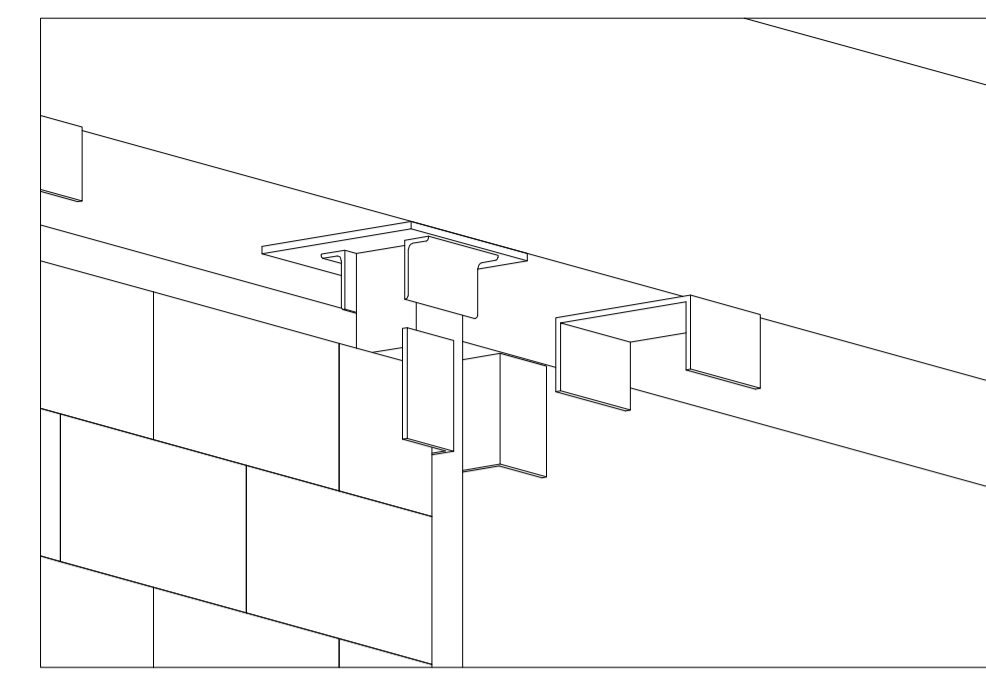
REV.	DATE	DESCRIPTION	BY	DATE	BY	DATE
D00	DEC.2021	IPC	R.BERLOUE	M.FAKHARIAN	M.Mehrshad	**
REV.	DATE	P.O.I.S	PREP.	CHK.	APP.	AUT.
PROJECT NAME: BINAK OILFIELD DEVELOPMENT/SURFACE FACILITIES GAS COMPRESSOR STATION PROJECT NO.: 971020 EPC CONTRACTOR: HIRGAN ENERGY EPD/EPC CONTRACTOR (GC): PETROIRAN DEVELOPMENT COMPANY THE ORIGINAL AND ALL COPIES OF THIS DRAWING TOGETHER WITH THE COPYRIGHT THEREIN ARE THE SOLE PROPERTY OF N.I.S.O.C./ FIELDS						
DRAWING TITLE:			STANDARD DRAWING FOR ARCHITECTURAL DETAILS			
SCALE	SIZE	DRAWING NO.	SHEET NO.	REV.		
*****	A1	BK-GNRL-PEDCO-000-AR-DW-0001	14 OF 19	D00		



WALL POST DETAIL (BRICK or BLOCK WALL)
Sc: N.T.S. DETAIL-52



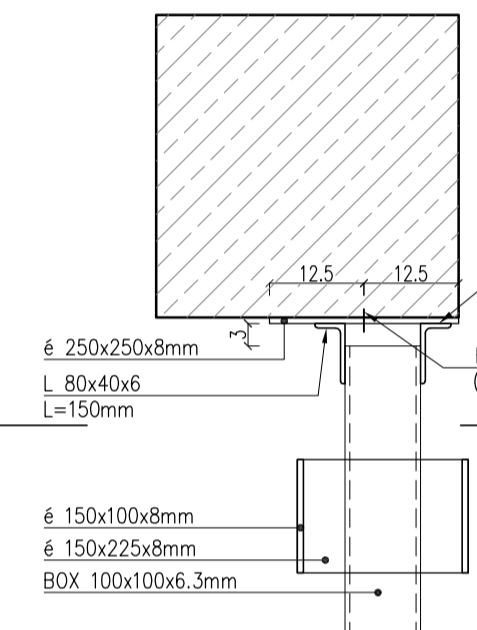
DETAIL-9
Sc:1/10



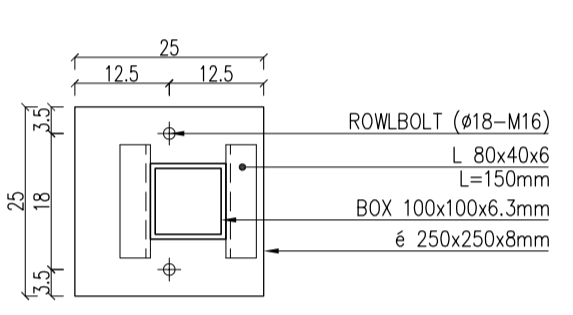
4
SEC

A
SEC

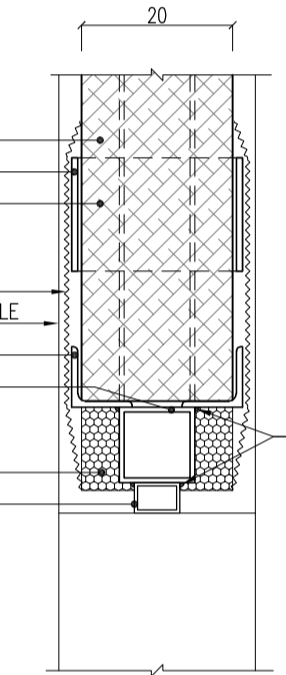
A
SEC



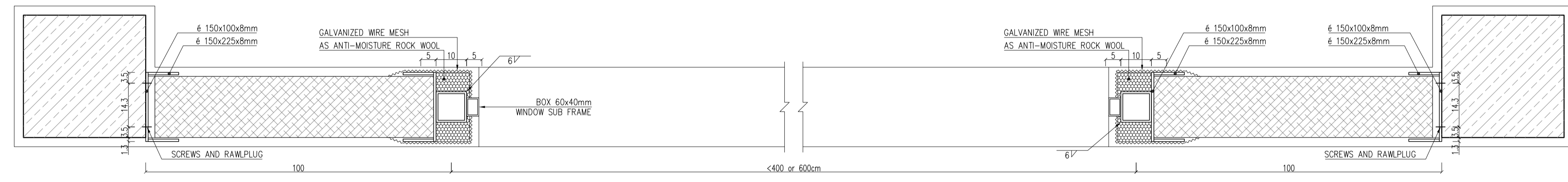
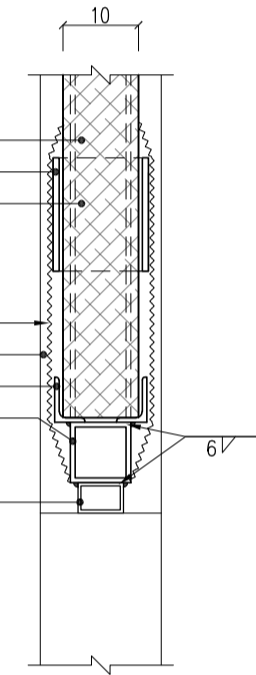
VIEW-A
Sc:1/10



SECTION A-A
Sc:1/10



DETAIL-6
Sc:1/10



SECTION 4-4
Sc:1/10

- NOTES**
1. ALL DIMENSIONS ARE IN CENTIMETER & ALL ELEVATIONS ARE IN METER.
 2. ALL DIMENSIONS AND ELEVATIONS SHALL BE CHECKED BY THE CONTRACTOR PRIOR TO CONSTRUCTION.
 3. CONTRACTOR SHALL COMPARE ALL ARCHITECTURAL, MECHANICAL, ELECTRICAL, PIPING AND STRUCTURAL DRAWINGS AND IN CASE OF ANY CONFLICTS OR DISCREPANCY, INFORM THE ENGINEER.
 4. ALL MATERIALS ARE SELECTED FROM THE HIGHEST QUALITY.
 5. ALL OPENINGS FOR PIPING/CABLING SHALL BE CONSIDERED AS PER RELATED DRAWINGS BEFORE CONSTRUCTION.

LEGEND

REFERENCE DRAWING	DRG. No.
*****	*****

KEY PLAN

- THE FREE LENGTH OF EACH WALL SHOULD NOT EXCEED 40X OF ITS THICKNESS OR 6m.
- THE FREE HEIGHT OF EACH WALL SHOULD NOT EXCEED 3.5m.
- THE WALL SEPARATION DISTANCE FROM THE COLUMNS IS 0.01 OF THE HEIGHT OF THE FLOOR, AND THE SEPARATION DISTANCE FROM THE CEILING IS HIGHER VALUE OF 25mm OR THE MAXIMUM LONG-TERM RISE OF THE BEAM, WHICH SHOULD BE COVERED WITH COMPACTING MATERIALS SUCH AS ANTI-MOISTURE ROCK WOOL.

REV.	DESCRIPTION	BY	DATE	BY	DATE	
D00	DEC-2021	IPC	RBRLOUE	M.FAKHARIAN	M.Mehrshad	
REV.	DATE	P.O.I.S	PREP.	CHK.	APP.	AUT.
PROJECT NAME: BINAK OILFIELD DEVELOPMENT/SURFACE FACILITIES GAS COMPRESSOR STATION PROJECT NO.: 971020 EPC CONTRACTOR: HIRGAN ENERGY EPD/EPC CONTRACTOR (GC): PETROIRAN DEVELOPMENT COMPANY HIRGAN ENERGY - DESIGN & INSPECTION COMPANIES PEDCO						
DRAWING TITLE: STANDARD DRAWING FOR ARCHITECTURAL DETAILS (VENDOR TITLE BLOCK)**						
SCALE	SIZE	DRAWING NO.	SHEET NO.	REV.	BUDGET REF.	
*****	A1	BK-GNRL-PEDCO-000-AR-DW-0001	15 OF 19	D00		
NO CONSTRUCTION PERMITTED UNLESS DRAWING APPROVED APPROVED FOR CONSTRUCTION BY: DATE:						
BUDGET REF.	LOCATION	SIZE	CLASS	SERIAL NO.	SHEET	REVISION

اصل و کلیه نسخ این نقشه و حق اقتباس متعلق به شرکت ملی مناطق نفت خیز جنوب میباشد.
 THE ORIGINAL AND ALL COPIES OF THIS DRAWING TOGETHER WITH THE COPYRIGHT THEREIN ARE THE SOLE PROPERTY OF N.I.S.O.C./ FIELDS

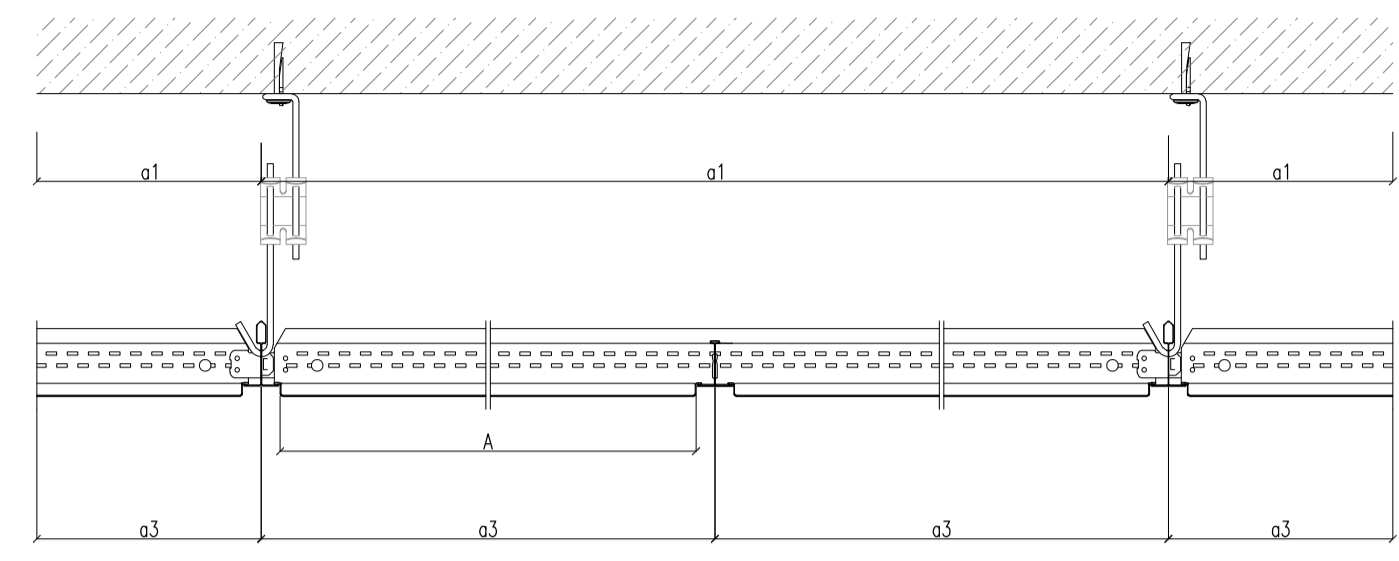
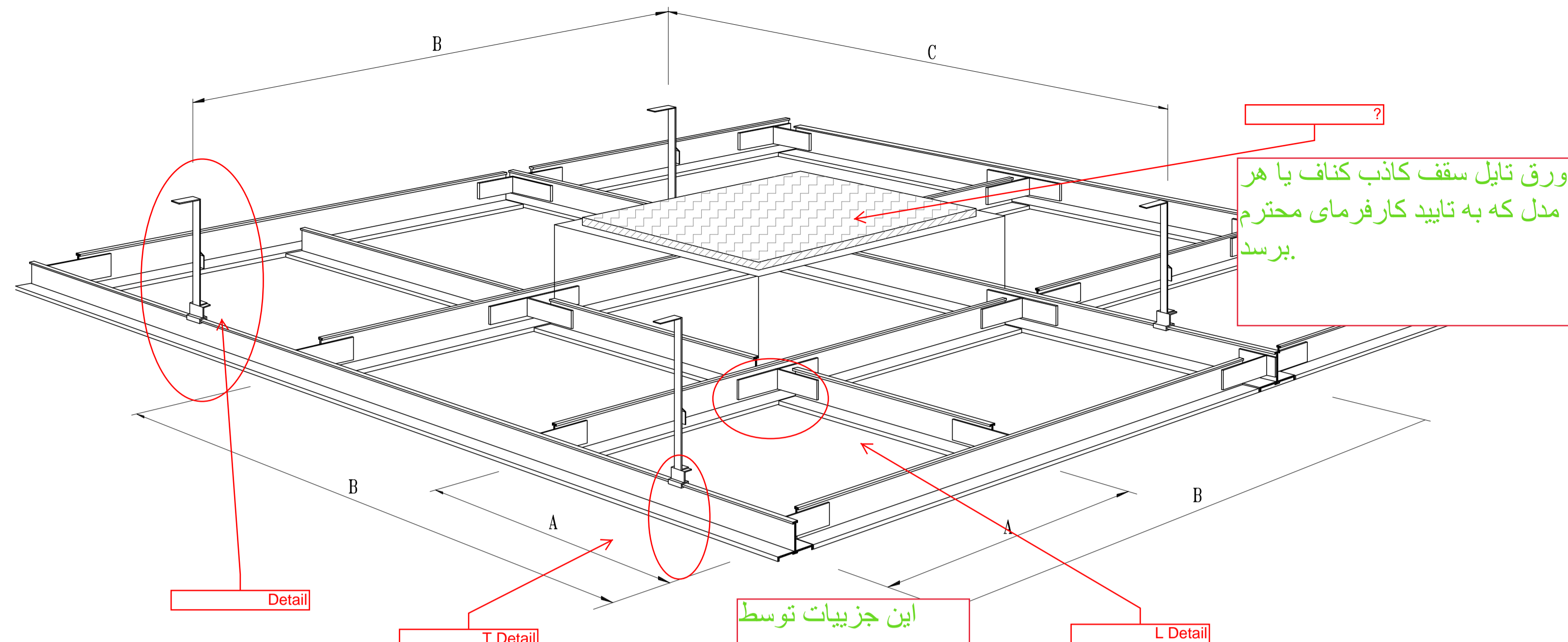
BINAK OILFIELD DEVELOPMENT SURFACE FACILITIES GAS COMPRESSOR STATION

DATE SCALE DRAWING BY CHECKED BY PROJECT ENG.

NO CONSTRUCTION PERMITTED UNLESS DRAWING APPROVED

APPROVED FOR CONSTRUCTION BY: DATE:

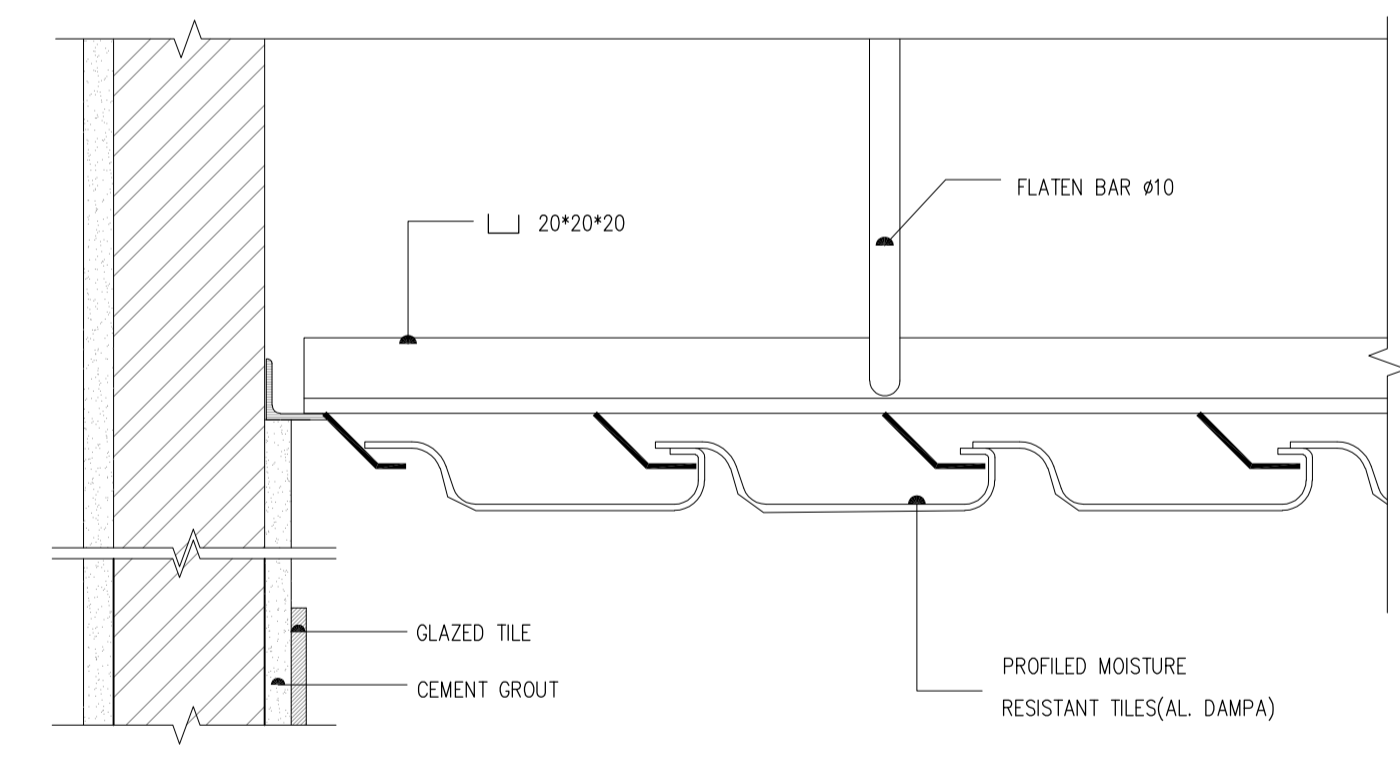
BUDGET REF. LOCATION SIZE CLASS SERIAL NO. SHEET REVISION



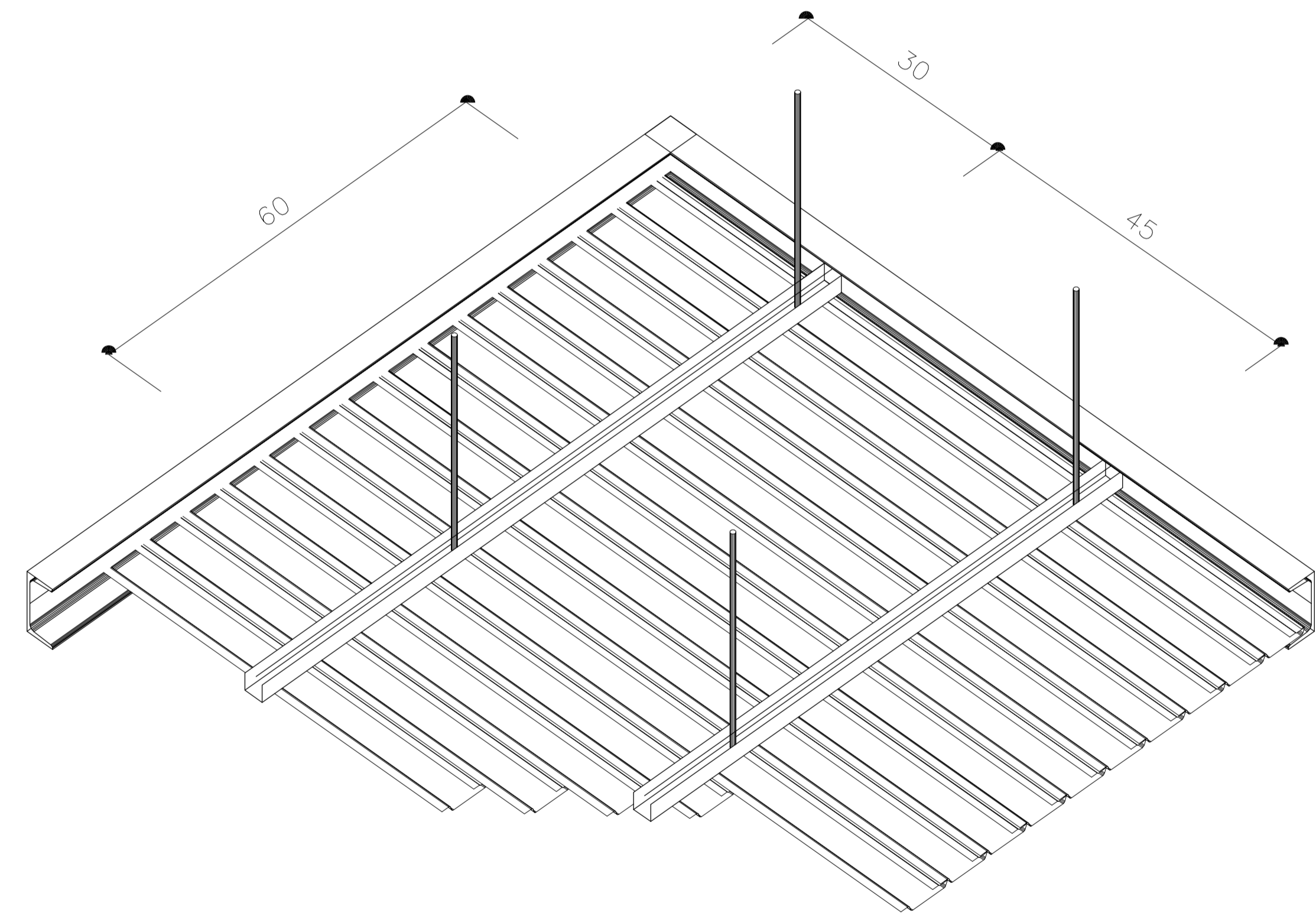
SECTION FOR SUSPENDED CEILING ACOUSTIC TILES
Sc:1/10

SUSPENDED CEILING
Sc:1/10
DETAIL-53

این جزییات توسط
وندور در صورت
لزوم اخذ و در مدارک
مختص هر ساختمان
ارائه خواهد شد.



SECTION FOR SUSPENDED CEILING DAMPA
Sc:1/10
DETAIL-54



SUSPENDED CEILING DAMPA
Sc:1/10

- NOTES
1. ALL DIMENSIONS ARE IN CENTIMETER & ALL ELEVATIONS ARE IN METER.
 2. ALL DIMENSIONS AND ELEVATIONS SHALL BE CHECKED BY THE CONTRACTOR PRIOR TO CONSTRUCTION.
 3. CONTRACTOR SHALL COMPARE ALL ARCHITECTURAL, MECHANICAL, ELECTRICAL, PIPING AND STRUCTURAL DRAWINGS AND IN CASE OF ANY CONFLICTS OR DISCREPANCY, INFORM THE ENGINEER.
 4. ALL MATERIALS ARE SELECTED FROM THE HIGHEST QUALITY.
 5. ALL OPENINGS FOR PIPING/CABLING SHALL BE CONSIDERED AS PER RELATED DRAWINGS BEFORE CONSTRUCTION.

LEGEND

REFERENCE DRAWING	DRG. No.
*****	*****

KEY PLAN

THIS DETAIL SHOULD BE READ IN CONJUNCTION WITH SUSPENDED CEILING MANUFACTURER DETAILS FOR (ALUM,GRID TYPE)
A: TILES DIMENTION 600 mm.WHEN NEEDED
B:MAX.1200mm
C:Max.1200 mm

REV.	DESCRIPTION	BY	DATE	BY	DATE	
D00	DEC-2021	IPC	R.BRLOUE	M.FAKHARIAN	M.Mehrshad	
REV.	DATE	P.O.I.S	PREP.	CHK.	APP.	AUT.
PROJECT NAME: BINAK OILFIELD DEVELOPMENT/SURFACE FACILITIES GAS COMPRESSOR STATION						
PROJECT NO.: 971020						
EPC CONTRACTOR: HIRGAN ENERGY HIRGAN ENERGY - DESIGN & INSPECTION COMPANIES			EPD/EPC CONTRACTOR (GC): PETROIRAN DEVELOPMENT COMPANY PEDCO			
DRAWING TITLE: STANDARD DRAWING FOR ARCHITECTURAL DETAILS						
SCALE	SIZE	DRAWING NO.	SHEET NO.	REV.		
*****	A1	BK-GNRAL-PEDCO-000-AR-DW-0001	16 OF 19	D00		

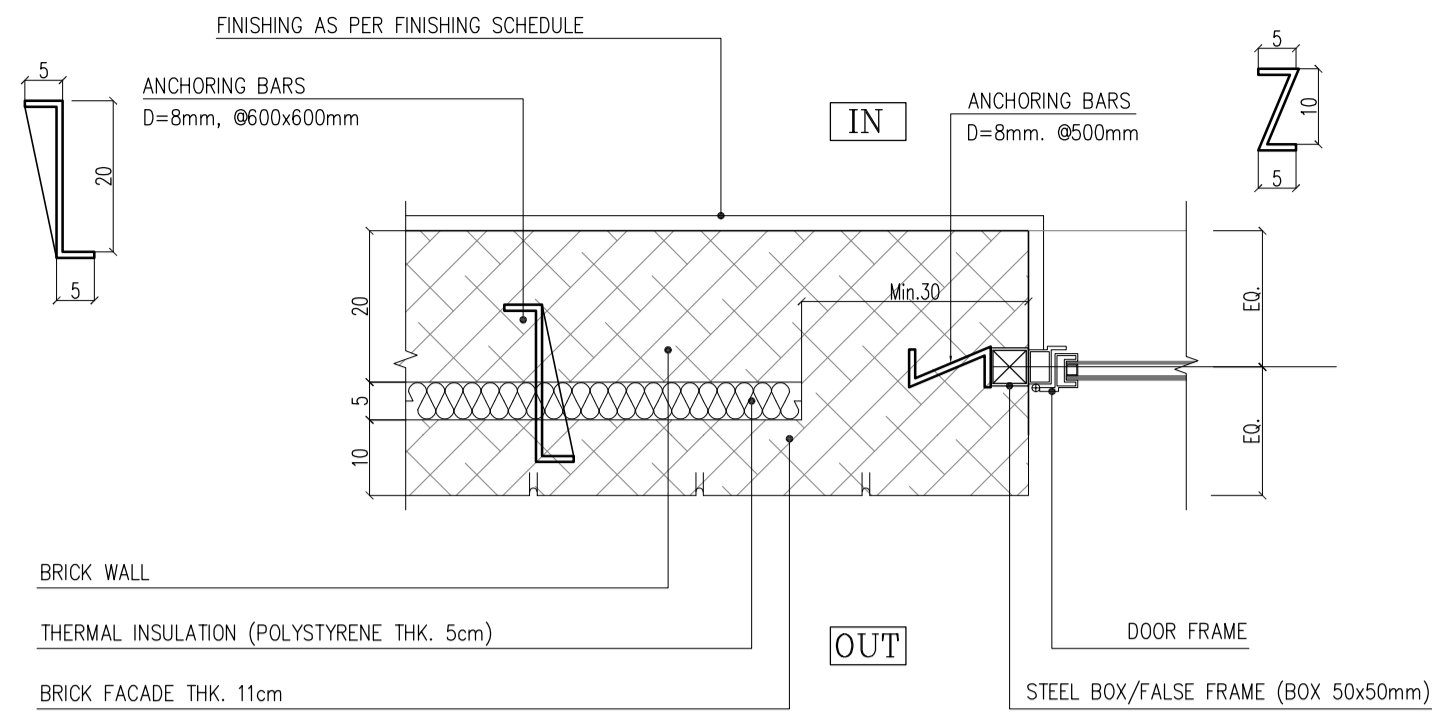
اسم و کلیه نسخ این نقشه و حق اقتباس متعلق به شرکت ملی مناطق نفت خیز جنوب میباشد.
THE ORIGINAL AND ALL COPIES OF THIS DRAWING TOGETHER WITH THE COPYRIGHT THEREIN ARE THE SOLE PROPERTY OF N.I.S.O.C./ FIELDS

DATE	SCALE	DRAWING BY	CHECKED BY	PROJECT ENG.

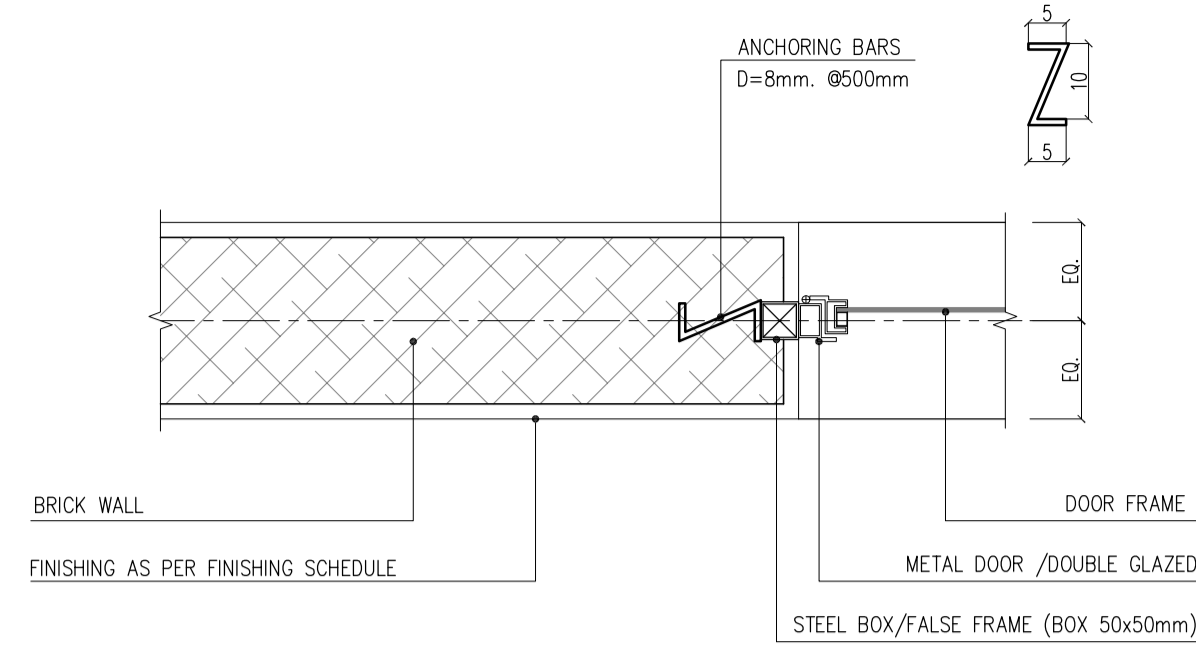
NO CONSTRUCTION PERMITTED UNLESS DRAWING APPROVED

APPROVED FOR CONSTRUCTION	BY:	DATE:

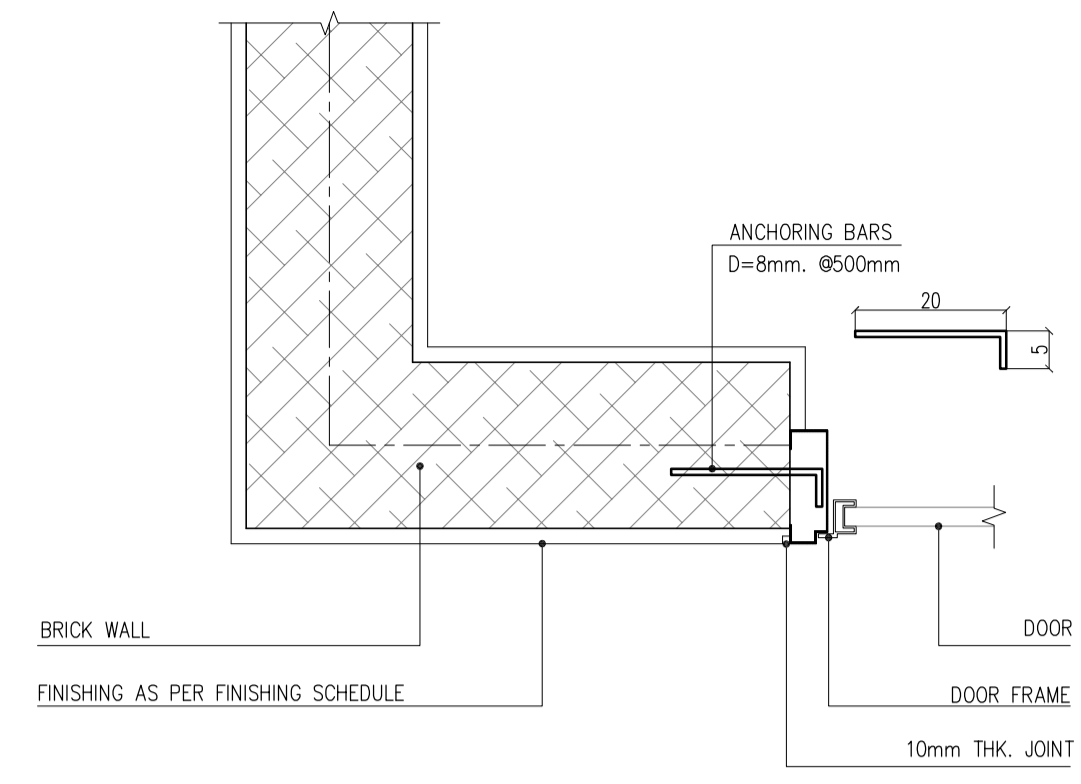
BUDGET REF.	LOCATION	SIZE	CLASS	SERIAL NO.	SHEET	REVISION



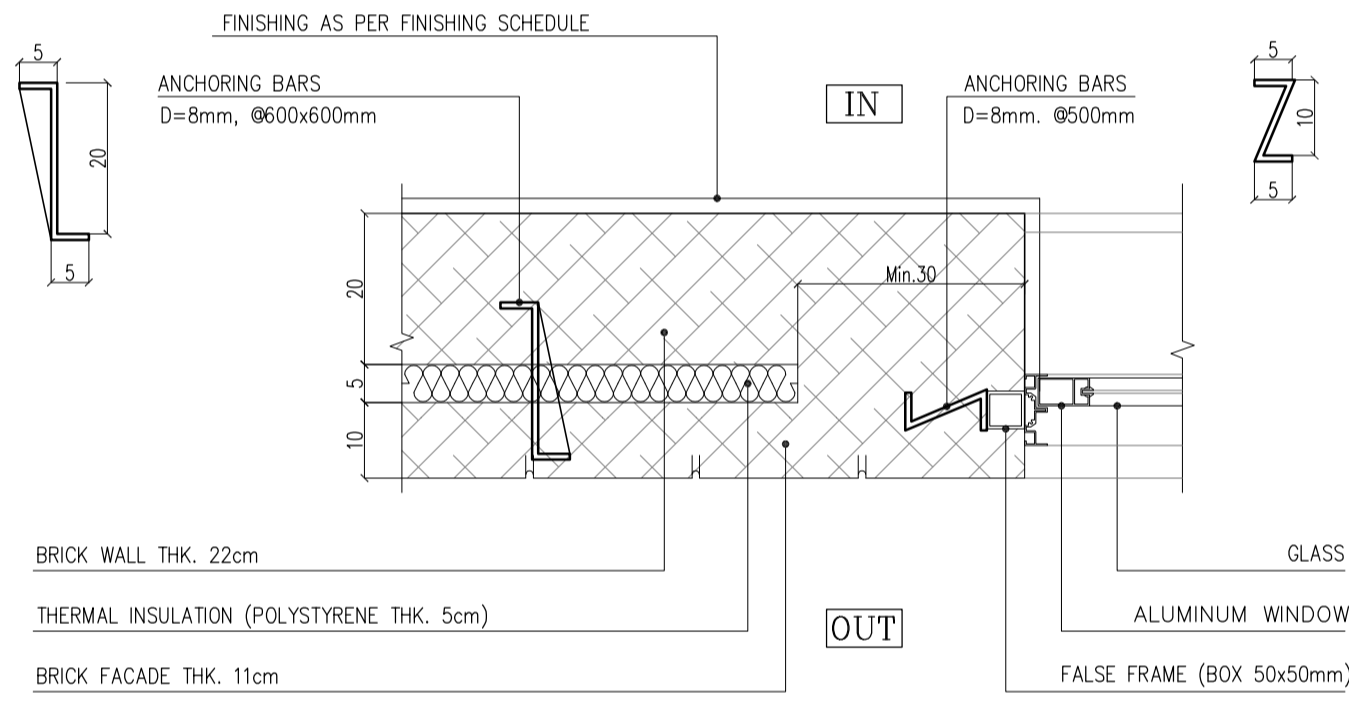
EXTERNAL WALL & METAL DOOR CONNECTION
Sc:1/10 DETAIL-55



INTERNAL WALL & METAL DOOR CONNECTION
Sc:1/10 DETAIL-56



INTERNAL WALL & WOODEN DOOR CONNECTION
Sc:1/10 DETAIL-57



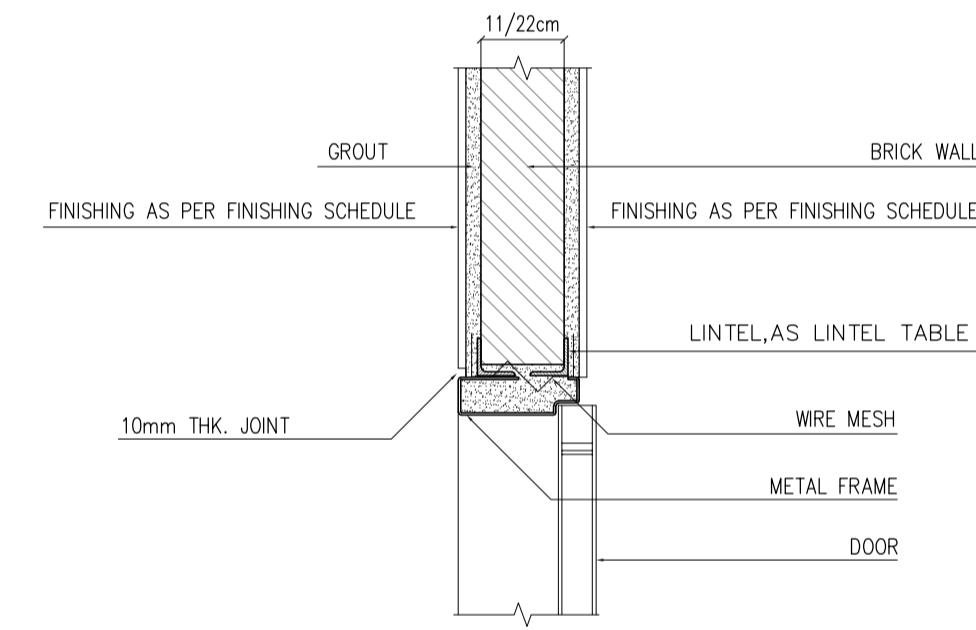
EXTERNAL WALL & WINDOW CONNECTION DETAIL
Sc:1/10 DETAIL-52

L (m)	WALL THK. =11cm		
	J	2 L	2 IPE
0.50	J6	40	--
0.75	J6	40	--
1.00	J6	40	--
1.25	J6	40	--
1.50	J8	40	--
1.75	J10	50	--
2.00	J10	50	--
2.25	J12	60	--
2.50	--	70	--
2.75	--	70	--
3.00	--	80	--
3.25	--	80	--
3.50	--	100	80
3.75	--	100	80
4.00	--	100	100

L (m)	WALL THK. =22cm		
	J	2 L	2 IPE
0.50	2J6	40	--
0.75	2J6	40	--
1.00	2J6	40	--
1.25	2J6	50	--
1.50	2J8	50	--
1.75	2J10	60	--
2.00	2J12	70	--
2.25	2J12	80	--
2.50	--	80	--
2.75	--	100	80
3.00	--	100	80
3.25	--	100	100
3.50	--	120	100
3.75	--	120	120
4.00	--	120	120

L (m)	WALL THK. =35cm		
	J	2 L	2 IPE
0.50	3J6	40	--
0.75	3J6	40	--
1.00	3J6	50	--
1.25	3J8	50	--
1.50	3J8	60	--
1.75	3J10	70	--
2.00	3J10	80	--
2.25	3J12	80	80
2.50	--	100	80
2.75	--	100	100
3.00	--	--	100
3.25	--	--	120
3.50	--	--	120
3.75	--	--	140
4.00	--	--	140

L (m)	WALL THK. =45cm		
	J	2 L	2 IPE
0.50	4J6	40	--
0.75	4J6	40	--
1.00	4J6	50	--
1.25	4J8	60	--
1.50	4J10	70	--
1.75	4J10	80	--
2.00	4J12	80	80
2.25	--	100	80
2.50	--	100	100
2.75	--	--	120
3.00	--	--	120
3.25	--	--	120
3.50	--	--	140
3.75	--	--	140
4.00	--	--	160



DOOR LINTEL DETAIL
Sc:1/10 DETAIL-59

NOTES

- ALL DIMENSIONS ARE IN CENTIMETER & ALL ELEVATIONS ARE IN METER.
- ALL DIMENSIONS AND ELEVATIONS SHALL BE CHECKED BY THE CONTRACTOR PRIOR TO CONSTRUCTION.
- CONTRACTOR SHALL COMPARE ALL ARCHITECTURAL, MECHANICAL, ELECTRICAL, PIPING AND STRUCTURAL DRAWINGS AND IN CASE OF ANY CONFLICTS OR DISCREPANCY, INFORM THE ENGINEER.
- ALL MATERIALS ARE SELECTED FROM THE HIGHEST QUALITY.
- ALL OPENINGS FOR PIPING/CABLING SHALL BE CONSIDERED AS PER RELATED DRAWINGS BEFORE CONSTRUCTION.

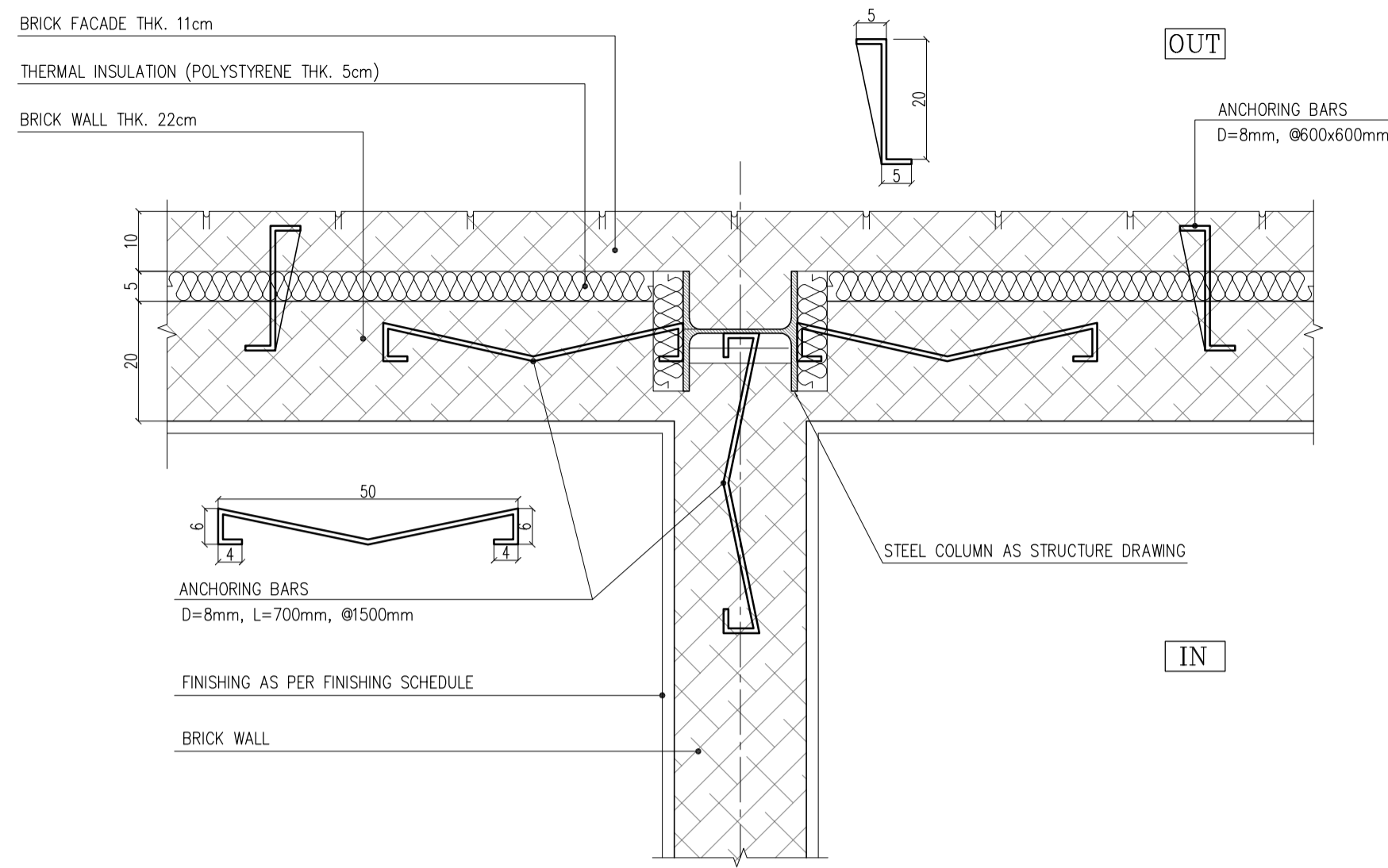
LEGEND

REFERENCE DRAWING	DRG. No.
*****	*****

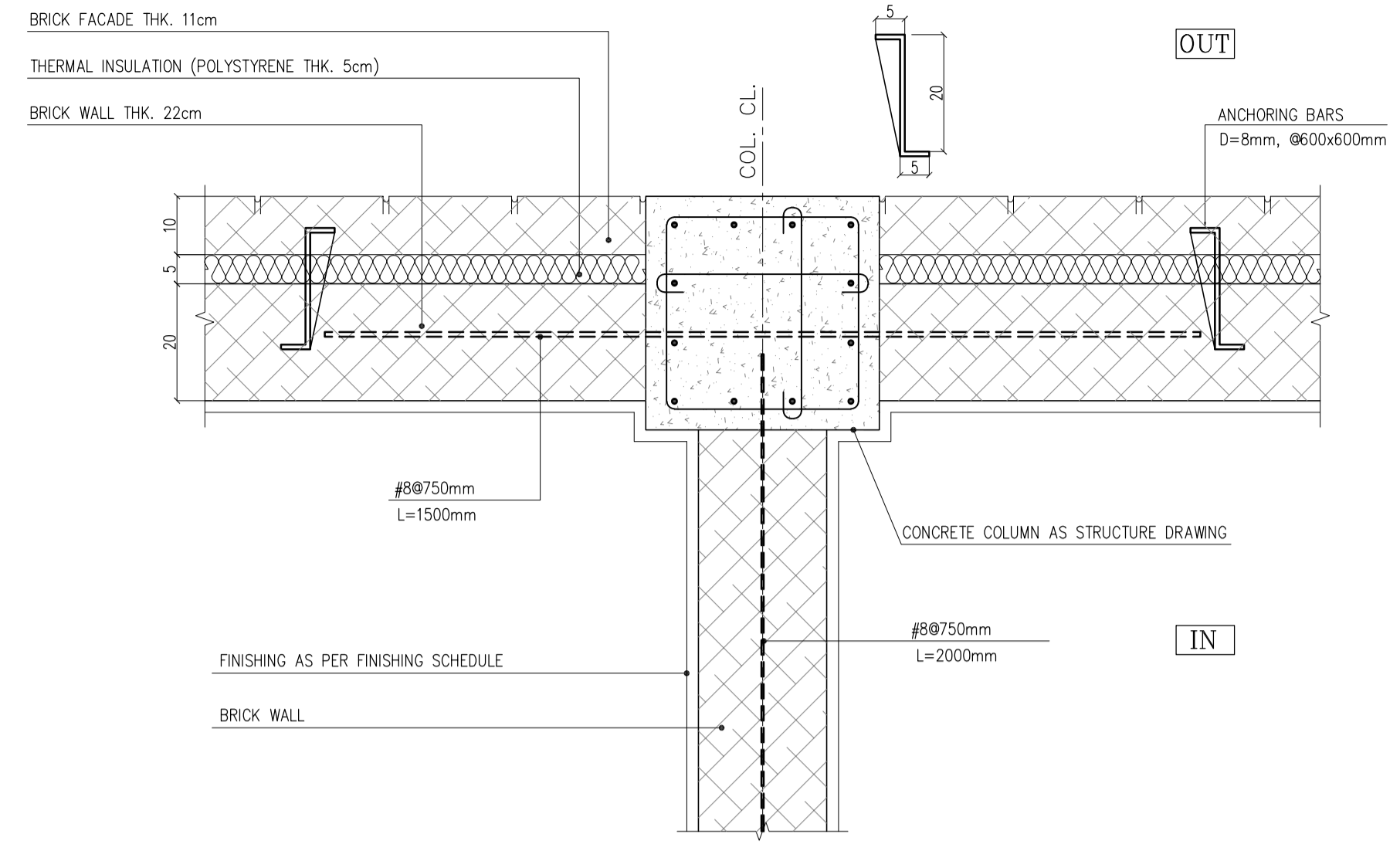
KEY PLAN

REV.	DESCRIPTION	BY	DATE	BY	DATE	
D00	DEC-2021	IPC	R.BRLOUE	M.FAKHARIAN	M.Mehrshad	
REV.	DATE	P.O.I.S	PREP.	CHK.	APP.	AUT.
PROJECT NAME: BINAK OILFIELD DEVELOPMENT/SURFACE FACILITIES GAS COMPRESSOR STATION						
PROJECT NO.: 971020						
EPC CONTRACTOR: HIRGAN ENERGY - DESIGN & INSPECTION COMPANIES			EPD/EPC CONTRACTOR (GC): PETROIRAN DEVELOPMENT COMPANY			
DRAWING TITLE: STANDARD DRAWING FOR ARCHITECTURAL DETAILS						
NO CONSTRUCTION PERMITTED UNLESS DRAWING APPROVED						
APPROVED FOR CONSTRUCTION BY: DATE:						
BUDGET REF.	LOCATION	SIZE	CLASS	SERIAL NO.	SHEET	REVISION
*****	A1	BK-GNRL-PEDCO-000-AR-DW-0001	17 OF 19	D00		

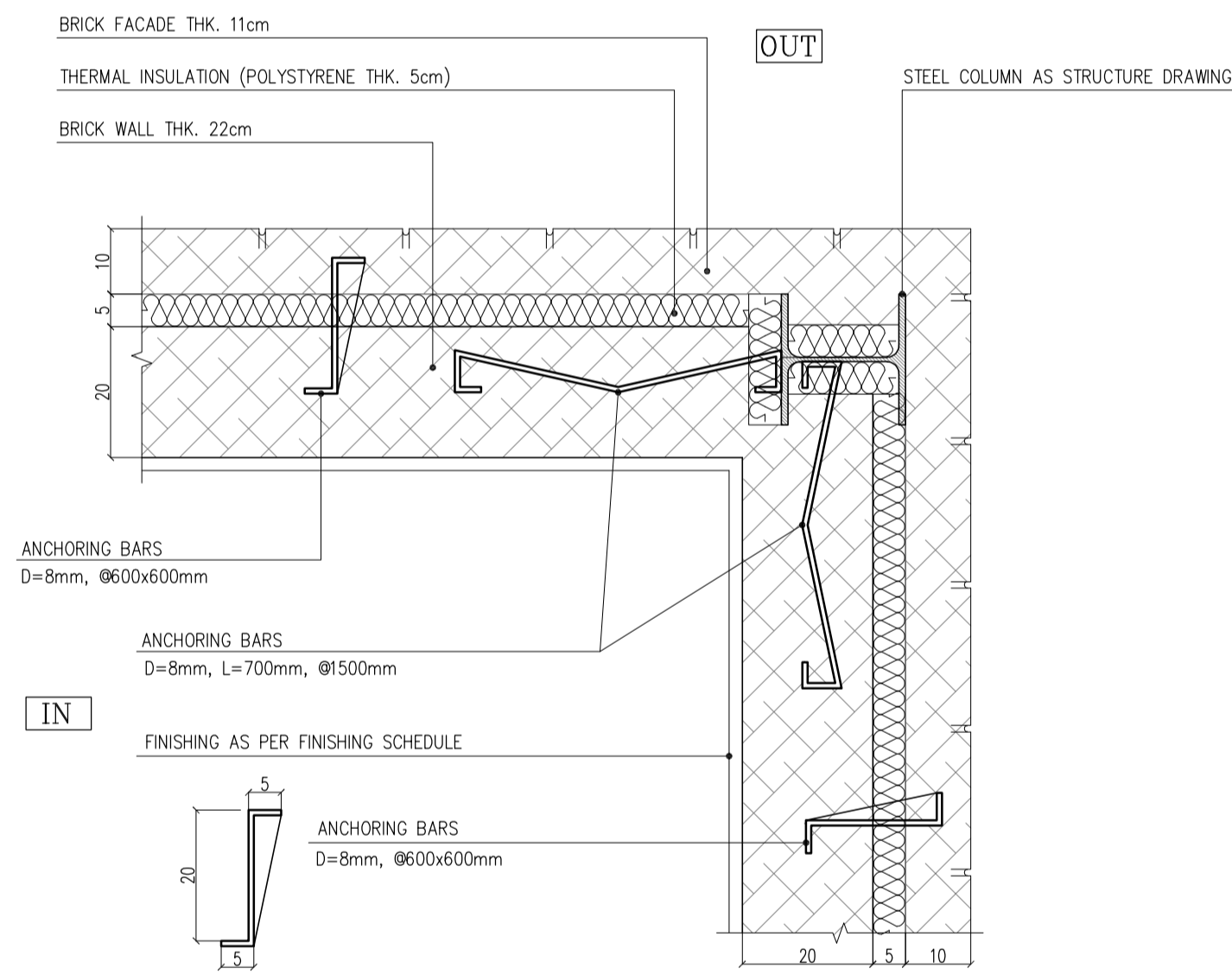
(VENDOR TITLE BLOCK)**



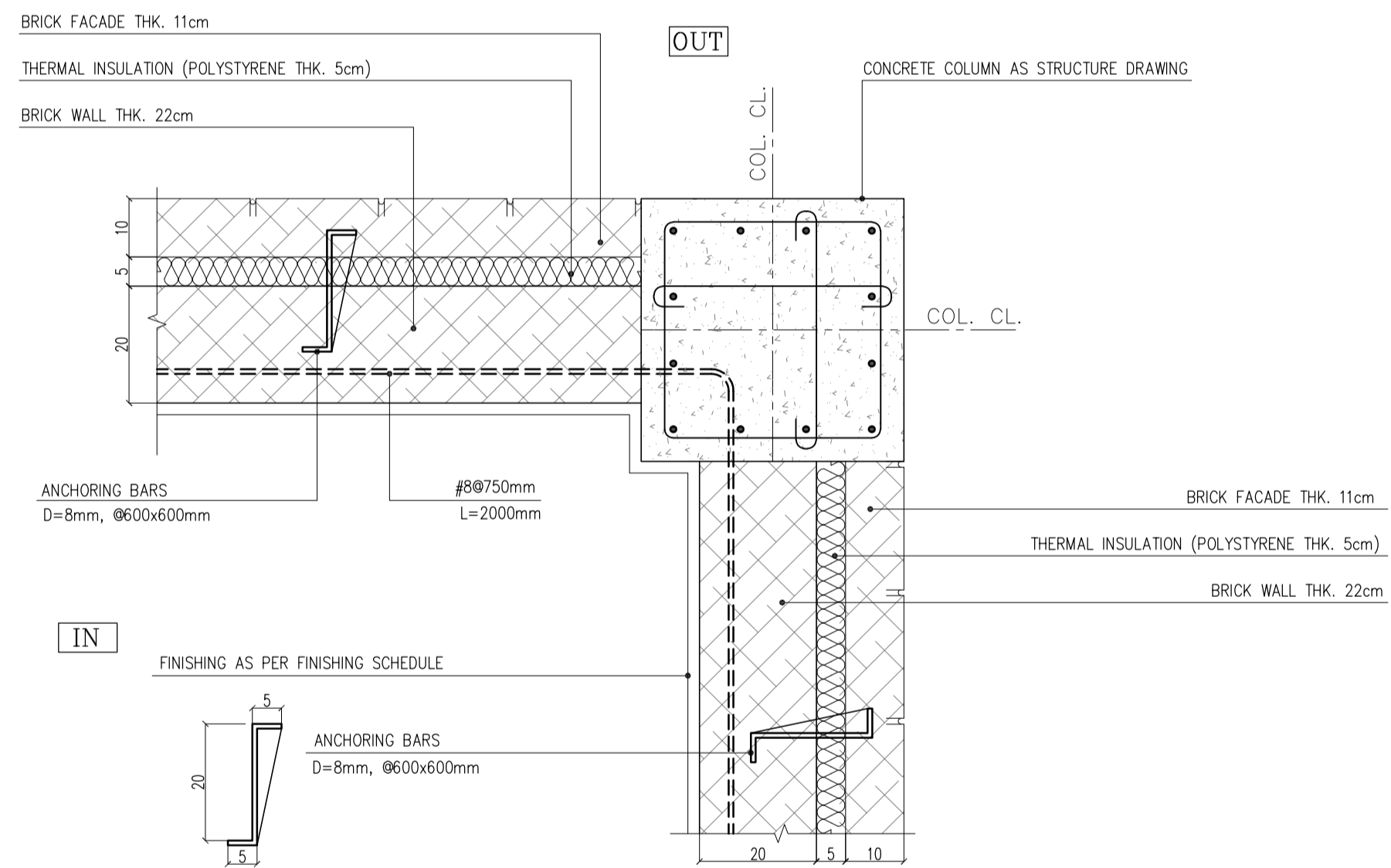
WALL & STEEL COLUMN CONNECTION DETAIL-EXTERNAL-INTERNAL WALL
 Sc:1/10 DETAIL-60



WALL & CONCRETE COLUMN CONNECTION DETAIL
 Sc:1/10 DETAIL-61



WALL CORNER & STEEL COLUMN CONNECTION DETAIL-EXTERNAL WALL
 Sc:1/10 DETAIL-62



WALL CORNER & CONCRETE COLUMN CONNECTION DETAIL-EXTERNAL WALL
 Sc:1/10 DETAIL-63

NOTES

1. ALL DIMENSIONS ARE IN CENTIMETER & ALL ELEVATIONS ARE IN METER.
2. ALL DIMENSIONS AND ELEVATIONS SHALL BE CHECKED BY THE CONTRACTOR PRIOR TO CONSTRUCTION.
3. CONTRACTOR SHALL COMPARE ALL ARCHITECTURAL, MECHANICAL, ELECTRICAL, PIPING AND STRUCTURAL DRAWINGS AND IN CASE OF ANY CONFLICTS OR DISCREPANCY, INFORM THE ENGINEER.
4. ALL MATERIALS ARE SELECTED FROM THE HIGHEST QUALITY.
5. ALL OPENINGS FOR PIPING/CABLING SHALL BE CONSIDERED AS PER RELATED DRAWINGS BEFORE CONSTRUCTION.

LEGEND

REFERENCE DRAWING	DRG. No.
*****	*****

REFERENCE DRAWING	DRG. No.
*****	*****

REFERENCE DRAWING	DRG. No.
*****	*****

KEY PLAN

REV.	DESCRIPTION	BY	DATE	BY	DATE
***	*****	**	****	**	****

REV.	DESCRIPTION	BY	DATE	BY	DATE	
D00	DEC-2021	IPC	R.BERLOUE	M.FAKHARIAN	M.Mehrshad	
REV.	DATE	P.O.I.S	PREP.	CHK.	APP.	AUT.
PROJECT NAME: BINAK OILFIELD DEVELOPMENT/SURFACE FACILITIES GAS COMPRESSOR STATION						
PROJECT NO.: 971020						
EPC CONTRACTOR:			EPD/EPC CONTRACTOR (GC):			
DRAWING TITLE: STANDARD DRAWING FOR ARCHITECTURAL DETAILS						
SCALE	SIZE	DRAWING NO.	SHEET NO.	REV.		
*****	A1	BK-GNRAL-PEDCO-000-AR-DW-0001	18 OF 19	D00		
NO CONSTRUCTION PERMITTED UNLESS DRAWING APPROVED						
APPROVED FOR CONSTRUCTION						
BUDGET REF.	LOCATION	SIZE	CLASS	SERIAL NO.	DATE:	

(VENDOR TITLE BLOCK)**

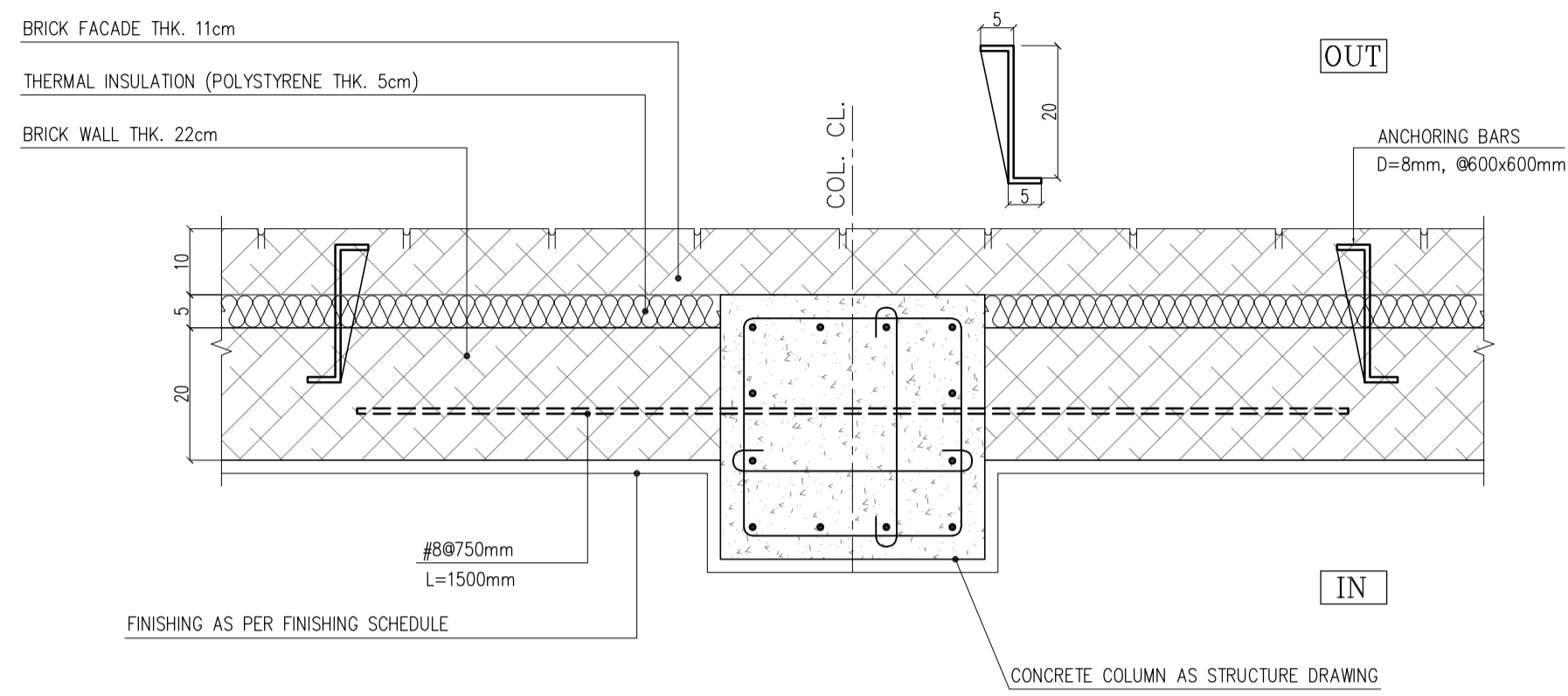
اصل و کليه نسخ این نقشه و حق اقتباس متعلق به شرکت ملی مناطق نفت خیز جنوب میباشد.
 THE ORIGINAL AND ALL COPIES OF THIS DRAWING TOGETHER WITH THE COPYRIGHT THEREIN ARE THE SOLE PROPERTY OF N.I.S.O.C./ FIELDS

BINAK OILFIELD DEVELOPMENT SURFACE FACILITIES GAS COMPRESSOR STATION

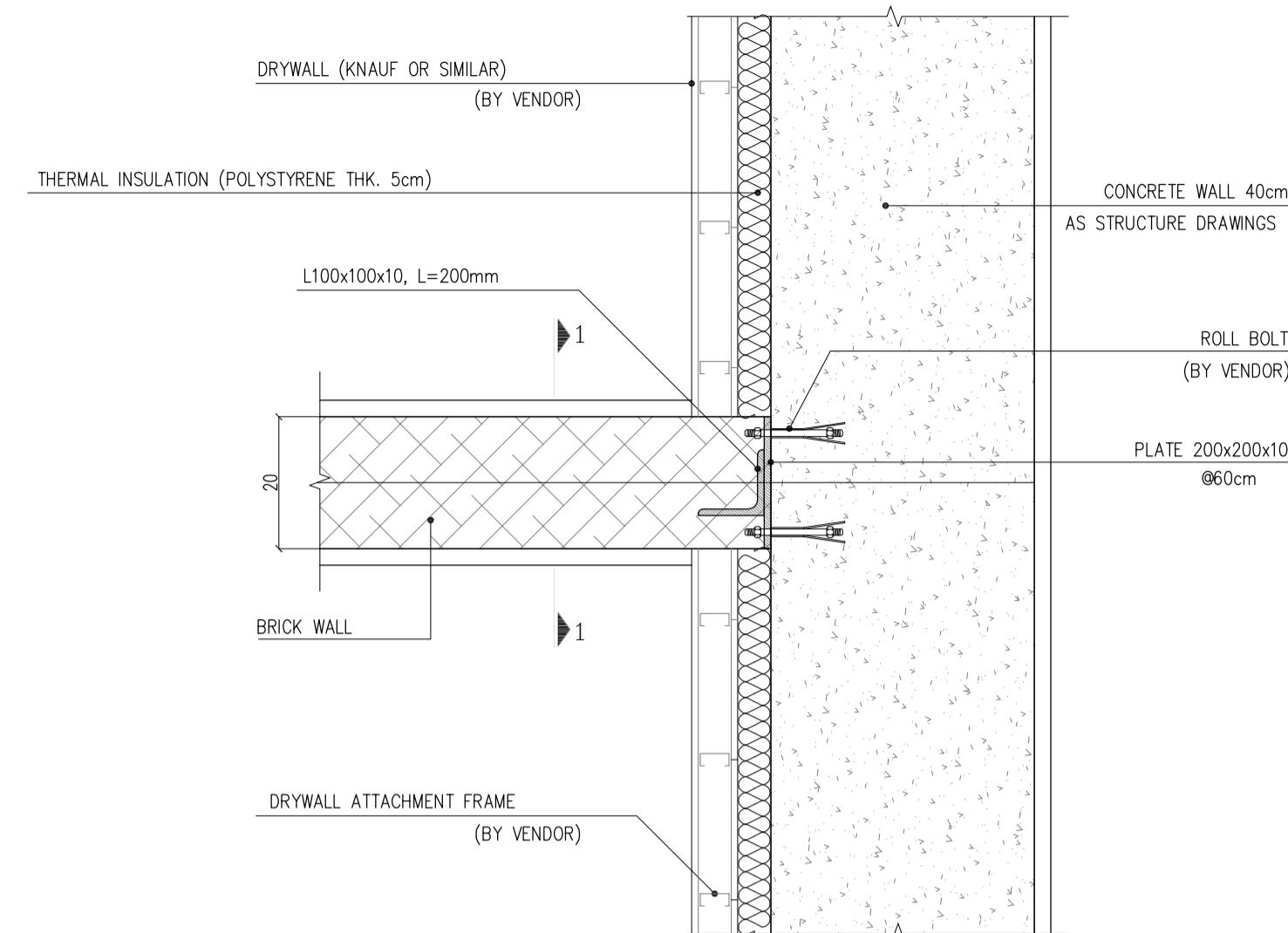
DATE SCALE DRAWING BY CHECKED BY PROJECT ENG.

APPROVED FOR CONSTRUCTION BY: DATE:

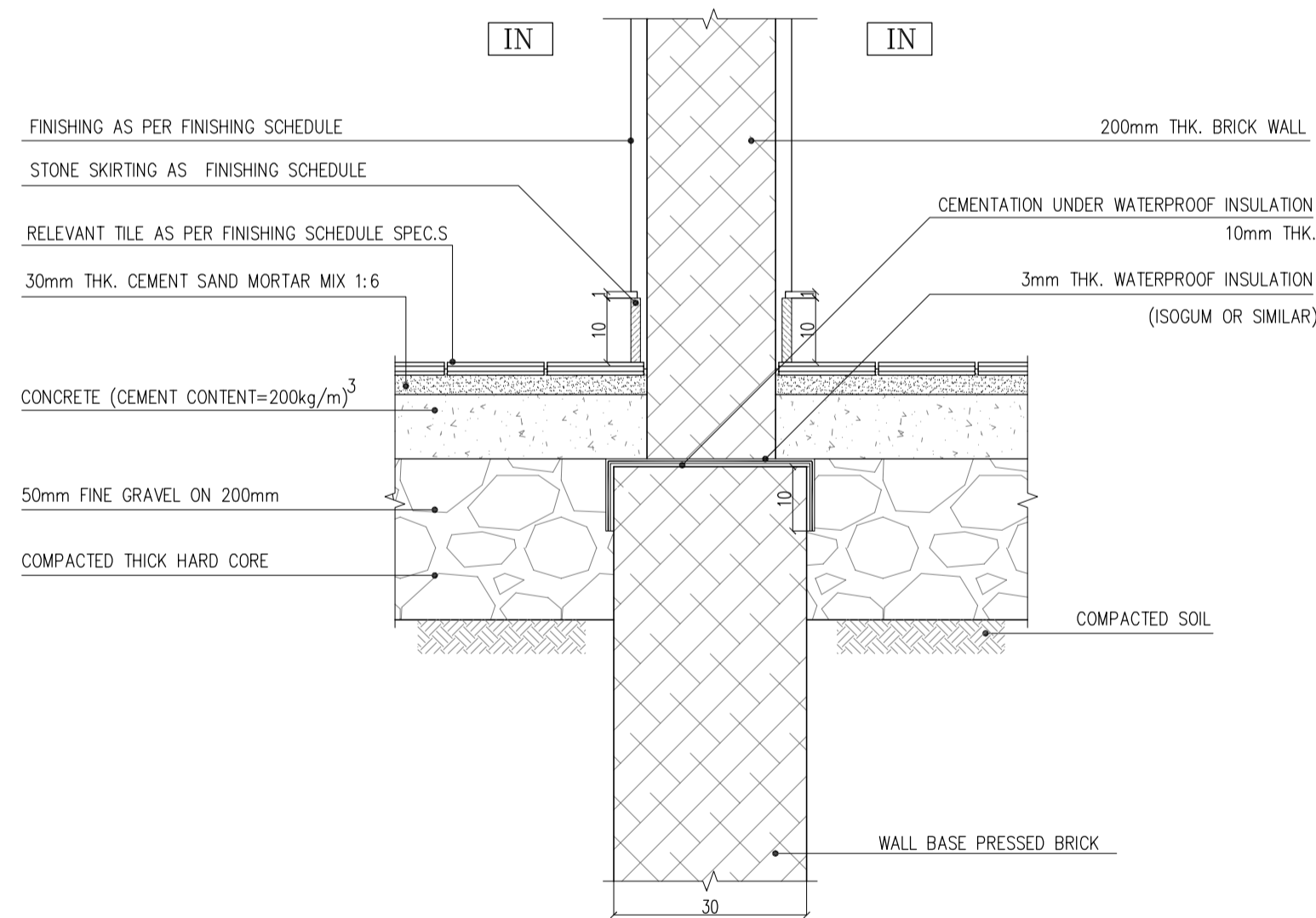
BUDGET REF. LOCATION SIZE CLASS SERIAL NO. SHEET REVISION



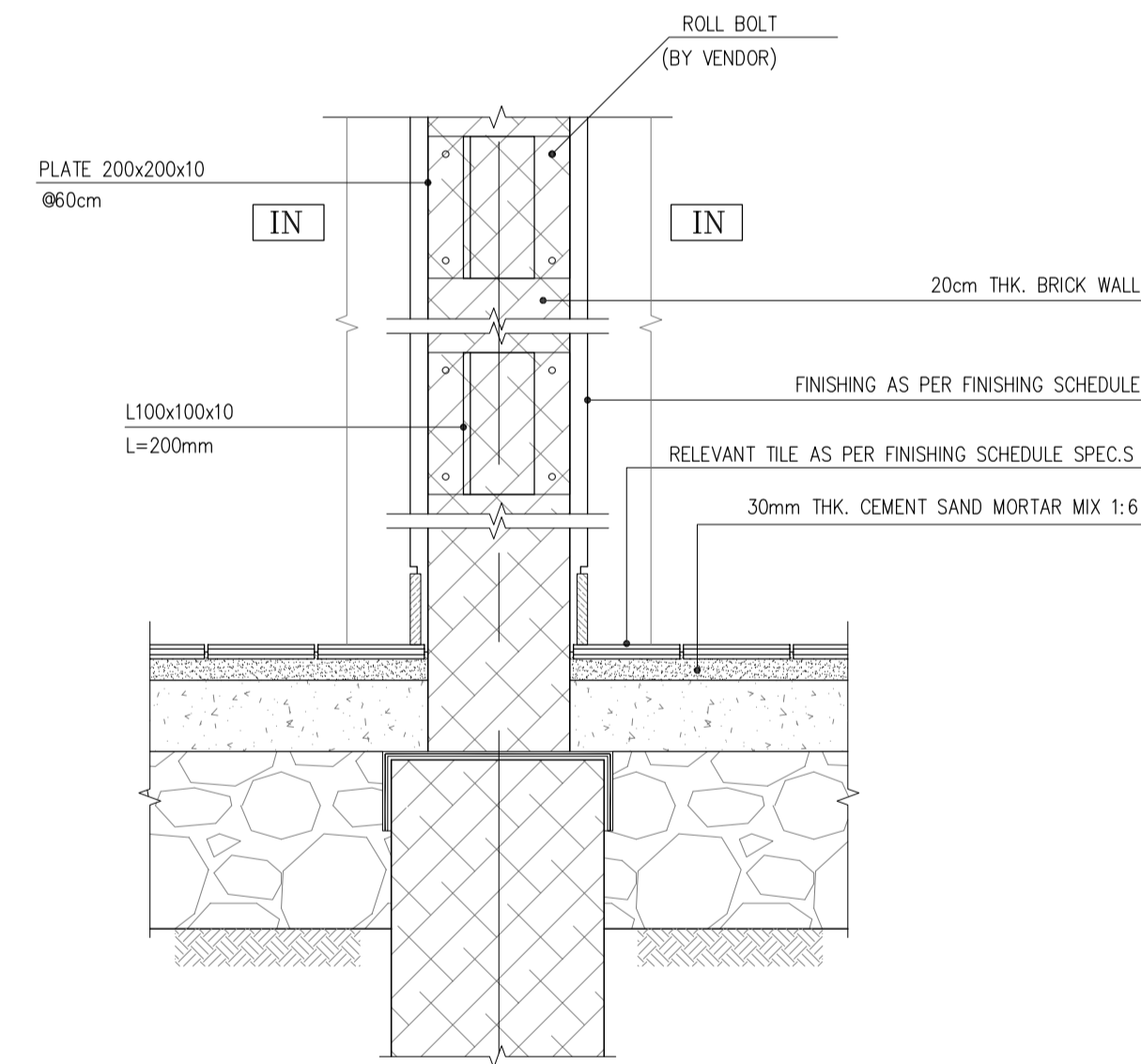
EXTERNAL WALL & CONCRETE COLUMN CONNECTION DETAIL
Sc:1/10 DETAIL-64



CONCRETE WALL & BRICK WALL CONNECTION
Sc:1/10 DETAIL-65



TYPICAL INTERIOR WALL DETAIL (200mm THK.)
Sc:1/10 DETAIL-66



SECTION-1
Sc:1/10

- NOTES**
1. ALL DIMENSIONS ARE IN CENTIMETER & ALL ELEVATIONS ARE IN METER.
 2. ALL DIMENSIONS AND ELEVATIONS SHALL BE CHECKED BY THE CONTRACTOR PRIOR TO CONSTRUCTION.
 3. CONTRACTOR SHALL COMPARE ALL ARCHITECTURAL, MECHANICAL, ELECTRICAL, PIPING AND STRUCTURAL DRAWINGS AND IN CASE OF ANY CONFLICTS OR DISCREPANCY, INFORM THE ENGINEER.
 4. ALL MATERIALS ARE SELECTED FROM THE HIGHEST QUALITY.
 5. ALL OPENINGS FOR PIPING/CABLING SHALL BE CONSIDERED AS PER RELATED DRAWINGS BEFORE CONSTRUCTION.

LEGEND

REFERENCE DRAWING	DRG. No.
*****	*****

KEY PLAN

REV.	DATE	DESCRIPTION	BY	DATE	BY	DATE
D00	DEC-2021	IPC	R.BERLOUE	M.FAKHARIAN	M.Mehrshad	**
REV.	DATE	P.O.I.S	PREP.	CHK.	APP.	AUT.
PROJECT NAME: BINAK OILFIELD DEVELOPMENT/SURFACE FACILITIES GAS COMPRESSOR STATION PROJECT NO.: 971020 EPC CONTRACTOR: HIRGAN ENERGY - DESIGN & INSPECTION COMPANIES EPD/EPC CONTRACTOR (GC): PETROIRAN DEVELOPMENT COMPANY BINAK OILFIELD DEVELOPMENT SURFACE FACILITIES GAS COMPRESSOR STATION DATE SCALE DRAWING BY CHECKED BY PROJECT ENG.						
DRAWING TITLE: STANDARD DRAWING FOR ARCHITECTURAL DETAILS NO CONSTRUCTION PERMITTED UNLESS DRAWING APPROVED APPROVED FOR CONSTRUCTION BY: DATE:						
(VENDOR TITLE BLOCK)** SCALE SIZE DRAWING NO. SHEET NO. REV. BUDGET REF. LOCATION SIZE CLASS SERIAL NO. SHEET REVISION ***** A1 BK-GNRL-PEDCO-000-AR-DW-0001 19 OF 19 D00						

اسم و کلیه نسخ این نقشه و حق اقتباس متعلق به شرکت ملی مناطق نفت خیز جنوب میباشد.
 THE ORIGINAL AND ALL COPIES OF THIS DRAWING TOGETHER WITH THE COPYRIGHT THEREIN ARE THE SOLE PROPERTY OF N.I.S.O.C./ FIELDS