

CABLE ROUTE LAYOUT FOR ELECTRICAL TOWER (GANTRY) OF WELL PADS




NOTES

LEGEND

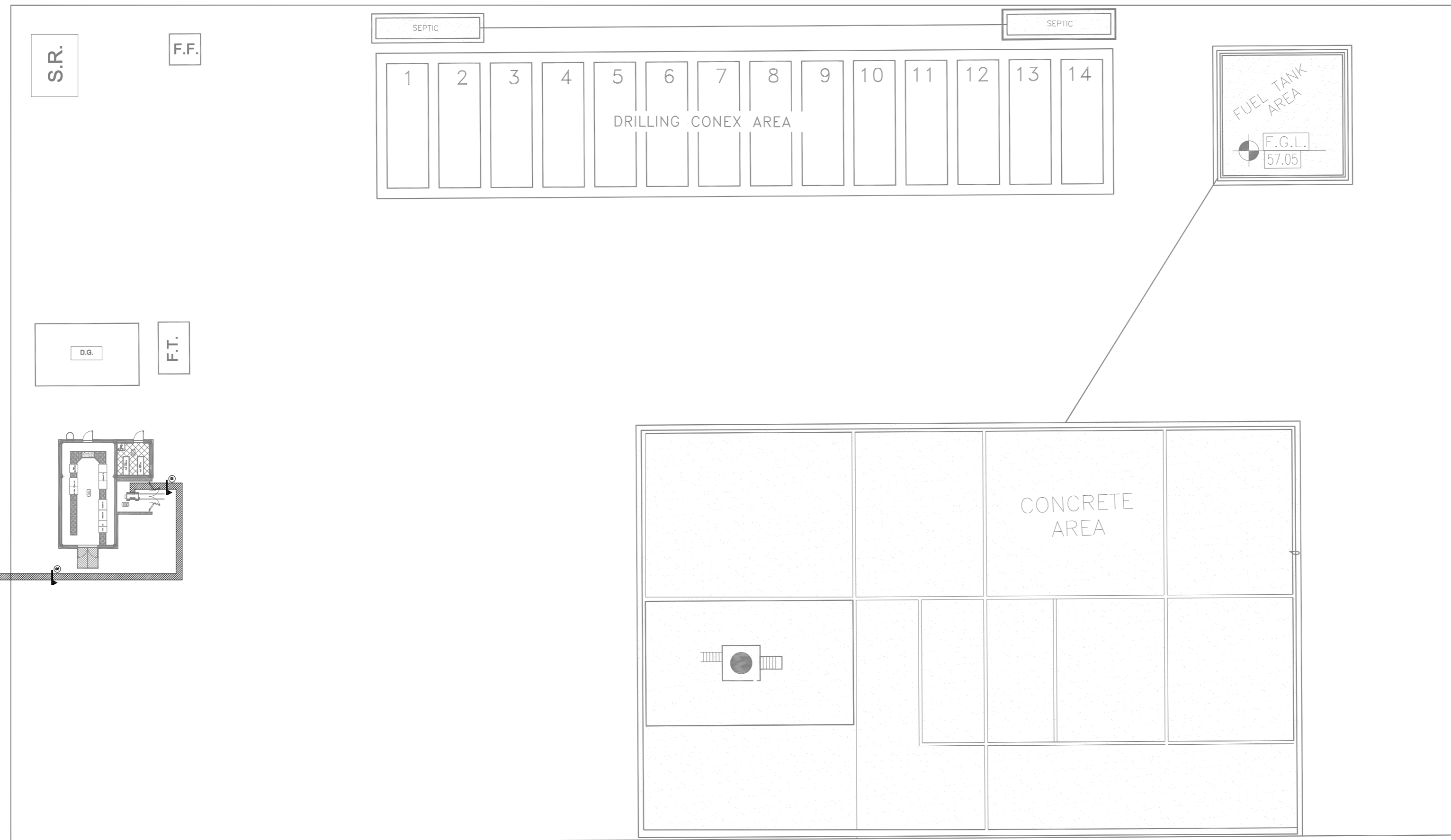
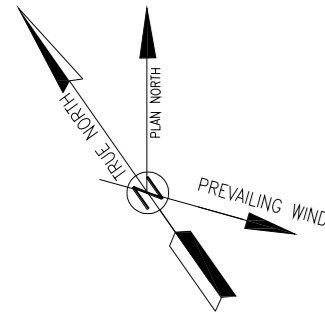
REFERENCE DRAWING

DRG. No.

KEY PLAN

										*** ***** ** ** ***.*** ** ** ***.***			
REV.	DESCRIPTION	BY	DATE	BY	DATE								
DOO	OCT.2022	IPC	H.SHAHBA	M.FAKHARAN	M.MEHRSHAD	** **							
REV.	DATE	P.O.I.S	PREP.	CHK.	APP.	AUT.							
PROJECT NAME: BINAK OILFIELD DEVELOPMENT/SUB-SURFACE WORK PACKAGES GENERAL							 THE ORIGINAL AND ALL COPIES OF THIS DRAWING TOGETHER WITH THE COPYRIGHT THEREIN ARE THE SOLE PROPERTY OF N.I.S.O.C./ FIELDS.						
PROJECT NO.: 971020													
EPC CONTRACTOR:				EPD/BPC CONTRACTOR (GC):				BINAK OILFIELD DEVELOPMENT SUB-SURFACE WORK PACKAGES GENERAL					
 HIRGAN ENERGY - DESIGN & INSPECTION COMPANIES				 PETROIRAN DEVELOPMENT COMPANY									
DATE	SCALE	DRAWING BY	CHECKED BY	PROJECT ENG.									
DRAWING TITLE: CABLE ROUTE LAYOUT FOR ELECTRICAL TOWER (GANTRY) OF WELL PADS											NO CONSTRUCTION PERMITTED UNLESS DRAWING APPROVED		
APPROVED FOR CONSTRUCTION											BY:	DATE:	
SCALE	SIZE	DRAWING NO.	SHEET NO.	REV.	BUDGET REF.	LOCATION	SIZE	CLASS	SERIAL NO.	SHEET	REVISION		
NTS	A3	BK-SSORL-PEDCO-110-EL-PY-0002	01 OF 04	DOO	063-073-0184	F	2	P	707404	01 OF 04	DOO		

(VENDOR TITLE BLOCK)**



FOR MORE DETAIL REFER TO PAGE 4

NOTES	
LEGEND	
	DIRECTLY BURIED CABLE TRENCH

REFERENCE DRAWING	DRG. No.
PLOT PLAN DRAWING - W0465	BK-W0465-PEDCO-110-PI-DW-0001
TYPICAL INSTALLATION DETAILS & NOTES FOR POWER SYSTEM	BK-GNRAI-PEDCO-000-EL-DW-0004
CALCULATION NOTE FOR CABLE SIZING OF WELL PADS	BK-SSGRL-PEDCO-110-EL-CN-0005

KEY PLAN

REV.	DESCRIPTION	BY	DATE	CHECKED	REV. APPR.

اسل و کلیه نسخ این نقشه و حق افشایی متعلق به شرکت ملی مناطق نفت خیز جنوب میباشد.
 THE ORIGINAL AND ALL COPIES OF THIS DRAWING TOGETHER WITH THE COPYRIGHT THEREIN ARE THE SOLE PROPERTY OF N.I.S.O.C./ FIELDS

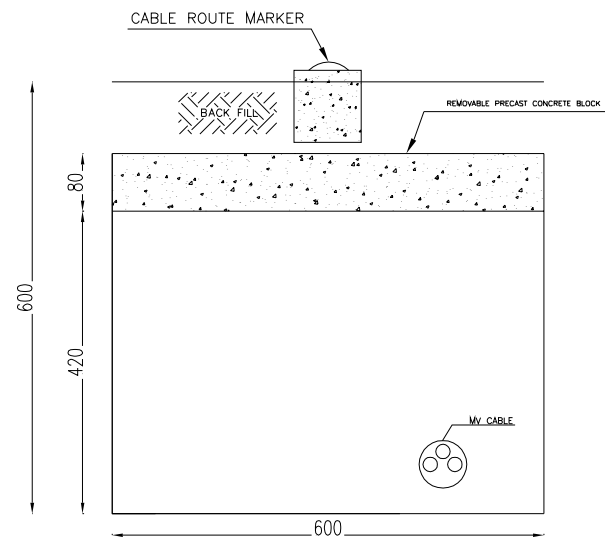
PROJECT NO.:	971020			
EPC CONTRACTOR:	EPD/EPC CONTRACTOR (GC):			
HIRGAN ENERGY - DESIGN & INSPECTION COMPANIES	PETROIRAN DEVELOPMENT COMPANY			
DATE	SCALE	DRAWING BY	CHECKED BY	PROJECT ENG.

DRAWING TITLE: CABLE ROUTE LAYOUT FOR ELECTRICAL TOWER (GANTRY) OF WELL PADS

NO CONSTRUCTION PERMITTED UNLESS DRAWING APPROVED

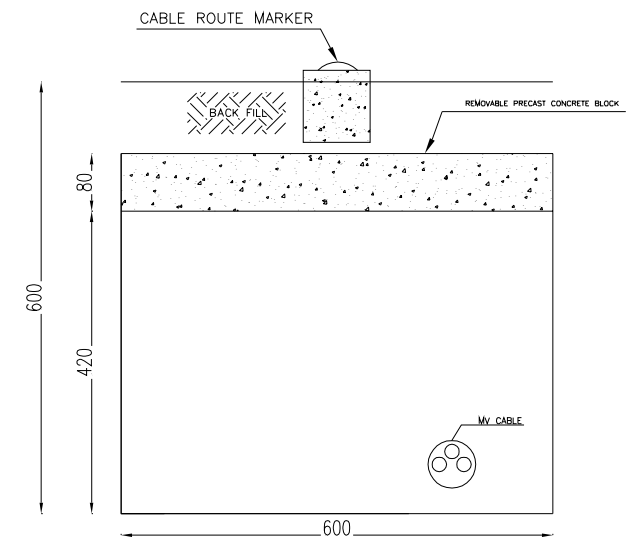
BUDGET REF.	LOCATION	SIZE	CLASS	SERIAL NO.	SHEET	REVISION
NTS	A2	BK-SSGRL-PEDCO-110-EL-PY-0002	02 OF 04	D00	053-073-9184	F 2 P 707404 02 OF 04 D00

(VENDOR TITLE BLOCK)**



SECTION-01

SECTION-01		
Item	Cable Tag	O.D(mm)
1	MV POWER CABLE	66.1



SECTION-02

SECTION-02		
Item	Cable Tag	O.D(mm)
1	MV POWER CABLE	66.1

NOTES

LEGEND

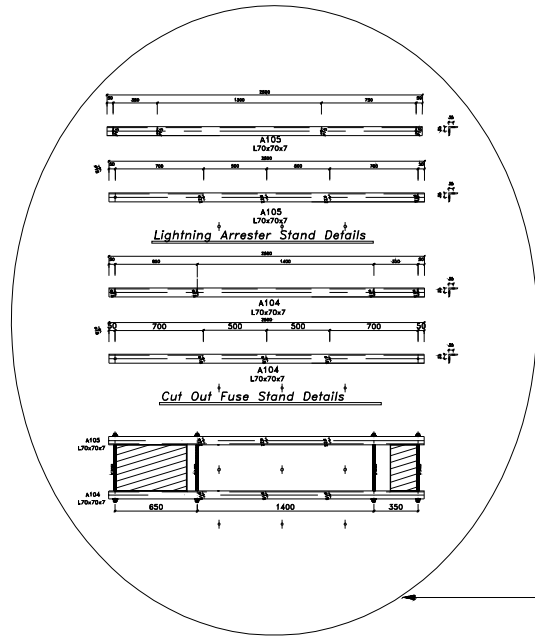


REFERENCE DRAWING	DRG. No.
PLOT PLAN DRAWING - W0465	BK-W0465-PEDCO-110-PI-DW-0001
TYPICAL INSTALLATION DETAILS & NOTES FOR POWER SYSTEM	BK-GRAL-PEDCO-000-EL-DW-0004
CALCULATION NOTE FOR CABLE SIZING OF WELL PADS	BK-SSGR-L-PEDCO-110-EL-CN-0005

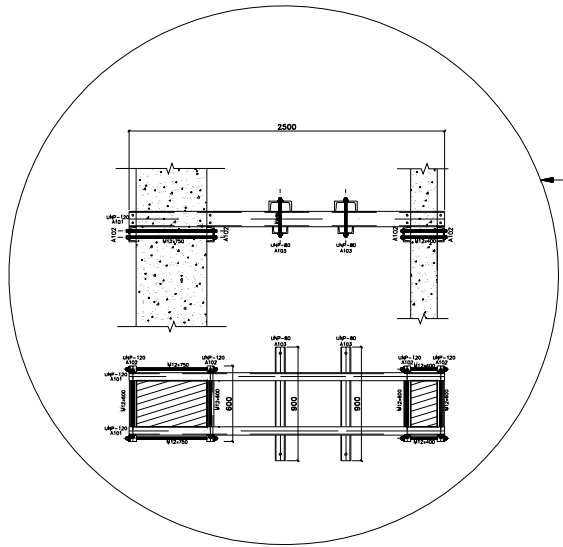
KEY PLAN

REV.	DESCRIPTION	BY	DATE	CHECKED	BY	DATE	REV. APPR.			
D00	OCT.2022	IPC	H.SHAHBA	M.FAKHARIAN	M.MEHRSHAD	** **	** **			
REV.	DATE	P.O.I.S	PREP.	CHK.	APP.	AUT.				
PROJECT NAME: BINAK OILFIELD DEVELOPMENT/SUB-SURFACE WORK PACKAGES GENERAL										
PROJECT NO.: 971020										
EPC CONTRACTOR: HIRGAN ENERGY HIRGAN ENERGY - DESIGN & INSPECTION COMPANIES				EPD/BPC CONTRACTOR (GC): PETROIRAN DEVELOPMENT COMPANY PEDCO						
DRAWING TITLE: CABLE ROUTE LAYOUT FOR ELECTRICAL TOWER (GANTRY) OF WELL PADS										
DATE	SCALE	DRAWING BY	CHECKED BY	PROJECT ENG.						
NO CONSTRUCTION PERMITTED UNLESS DRAWING APPROVED										
APPROVED FOR CONSTRUCTION				BY:		DATE:				
SCALE	SIZE	DRAWING NO.	SHEET NO.	REV.	BUDGET REF.	LOCATION	SIZE CLASS	SERIAL NO.	SHEET	REVISION
N75	A3	BK-SSGR-L-PEDCO-110-EL-PY-0002	03 OF 04	D00	063-073-0184	F	2 P	707404	03 OF 04	D00

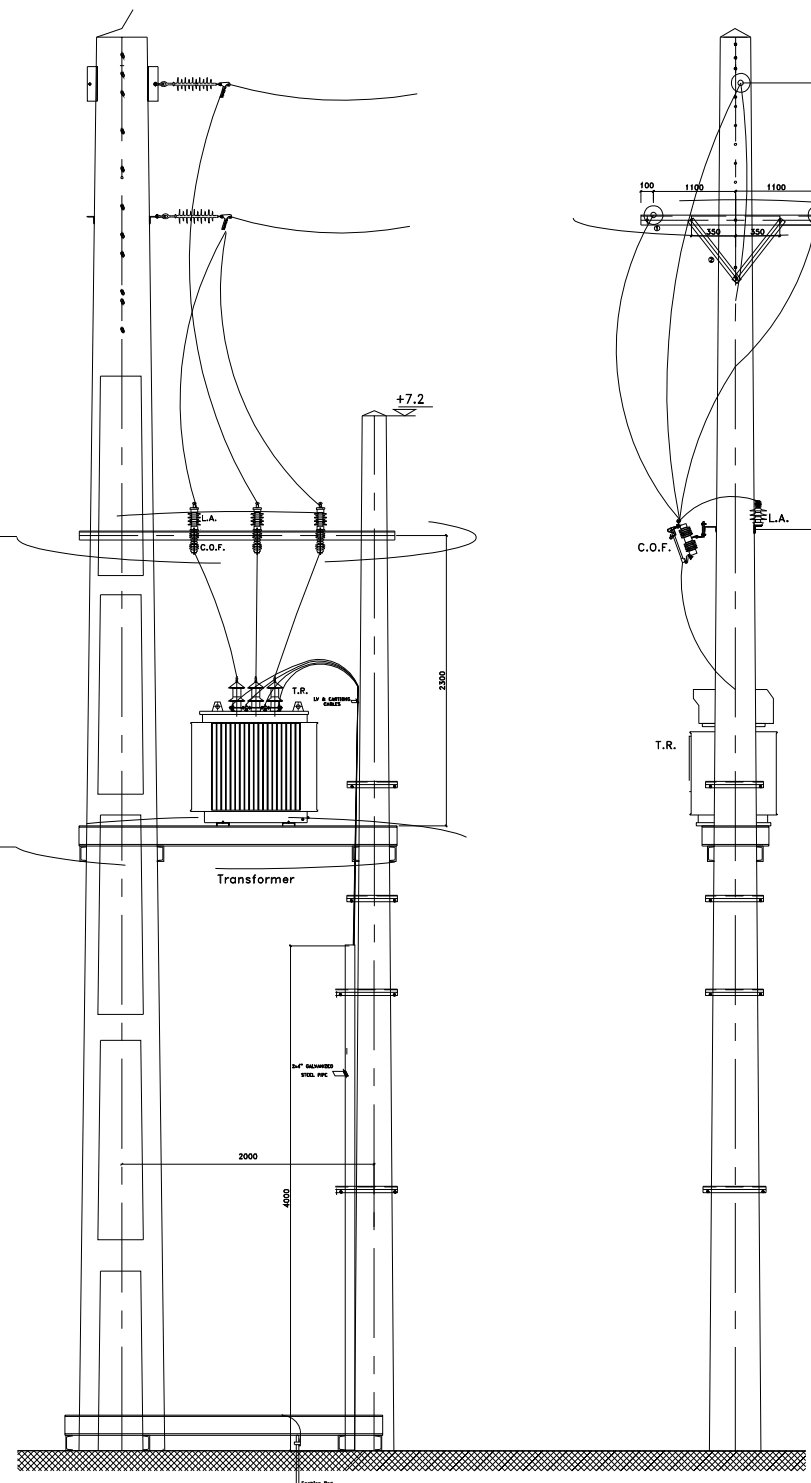
(VENDOR TITLE BLOCK)**



Details For Lightning Arrester and Cut Out Fuse Stand

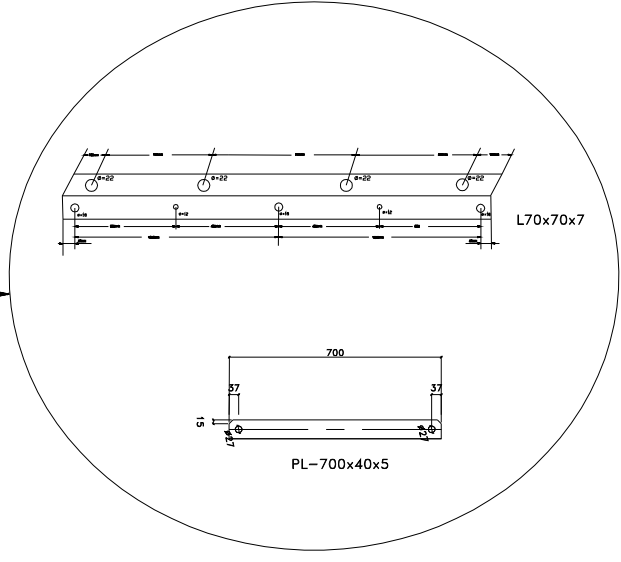


Transformer Stand Details



Front View

Side View



Details For Cross Arm and Console

NOTES

LEGEND

REFERENCE DRAWING	DRG. No.
PLOT PLAN DRAWING - W0465	BK-W0465-PEDCO-110-PI-DW-0001
TYPICAL INSTALLATION DETAILS & NOTES FOR POWER SYSTEM	BK-GNRAI-PEDCO-000-EL-DW-0004
CALCULATION NOTE FOR CABLE SIZING OF WELL PADS	BK-SSGRL-PEDCO-110-EL-CN-0005

KEY PLAN

REV.	DATE	DESCRIPTION	BY	DATE	BY	DATE
D00	OCT.2022	IPC	H.SHAKIBA	M.FAKHARIAN	M.MEHRSHAD	** **
REV.	DATE	P.O.I.S	PREP.	CHK.	APP.	AUT.
PROJECT NAME: BINAK OILFIELD DEVELOPMENT/SUB-SURFACE WORK PACKAGES GENERAL						
PROJECT NO.: 971020						
EPC CONTRACTOR: HIRGAN ENERGY - DESIGN & INSPECTION COMPANIES			EPD/BPC CONTRACTOR (GC): PETROIRAN DEVELOPMENT COMPANY			
DRAWING TITLE: CABLE ROUTE LAYOUT FOR ELECTRICAL TOWER (GANTRY) OF WELL PADS						
NO CONSTRUCTION PERMITTED UNLESS DRAWING APPROVED						
APPROVED FOR CONSTRUCTION			BY:		DATE:	
SCALE	SIZE	DRAWING NO.	SHEET NO.	REV.	BUDGET REF.	LOCATION
NTS	A3	BK-SSGRL-PEDCO-110-EL-PY-0002	04 OF 04	D00	063-073-9184	F
				CLASS	SERIAL NO.	SHEET
				P	707404	04 OF 04
				REVISION	D00	

(VENDOR TITLE BLOCK)**



THE ORIGINAL AND ALL COPIES OF THIS DRAWING TOGETHER WITH THE COPYRIGHT THEREIN ARE THE SOLE PROPERTY OF N.I.S.O.C./ FIELDS