

NOTES
 1- WALL THICKNESS SHALL BE IN ACCORDANCE WITH WALL THICKNESS CALCULATION REPORT.

LEGEND

REFERENCE DRAWING	DRG. No.
Symbol & Legend For PFD and PAID	BK-GCS-PEDCO-120-PR-UF-0001
Piping Corrosion Study & Material Selection Report	BK-GCS-PEDCO-120-PR-UF-0001

KEY PLAN

P-2101 A/B
 SLUG PUMPS

REV.	DATE	P.O.I.S	PREP.	CHK.	APP.	AUT.	DESCRIPTION	CHECKED	REV. APPR.
DO1	NOV.2022	IFA	M.MATPAR	M.PAKHARAN	M.MEHRABAD	**.**		BY	DATE
DO0	MAY.2022	IPC	M.MATPAR	M.PAKHARAN	M.MEHRABAD	**.**		BY	DATE

PROJECT NAME: BINAK OILFIELD DEVELOPMENT/SURFACE FACILITIES GAS COMPRESSOR STATION
 PROJECT NO.: 971020
 EPC CONTRACTOR: HIRGAN ENERGY
 EPD/EPC CONTRACTOR (GC): PETROIRAN DEVELOPMENT COMPANY
 BINAK OILFIELD DEVELOPMENT SURFACE FACILITIES GAS COMPRESSOR STATION

DATE	SCALE	DRAWING BY	CHECKED BY	PROJECT ENG.

DRAWING TITLE: MATERIAL FLOW DIAGRAM
 NO CONSTRUCTION PERMITTED UNLESS DRAWING APPROVED
 APPROVED FOR CONSTRUCTION BY: DATE:

SCALE	SIZE	DRAWING NO.	SHEET NO.	REV.	BUDGET REF.	LOCATION	SIZE CLASS	SERIAL NO.	SHEET	REVISION
NS	A3	BK-GCS-PEDCO-120-PI-DG-0001	1 OF 3	DO1	063-073-9184	F	2 A	708900	1 OF 3	DO1

(VENDOR TITLE BLOCK)**

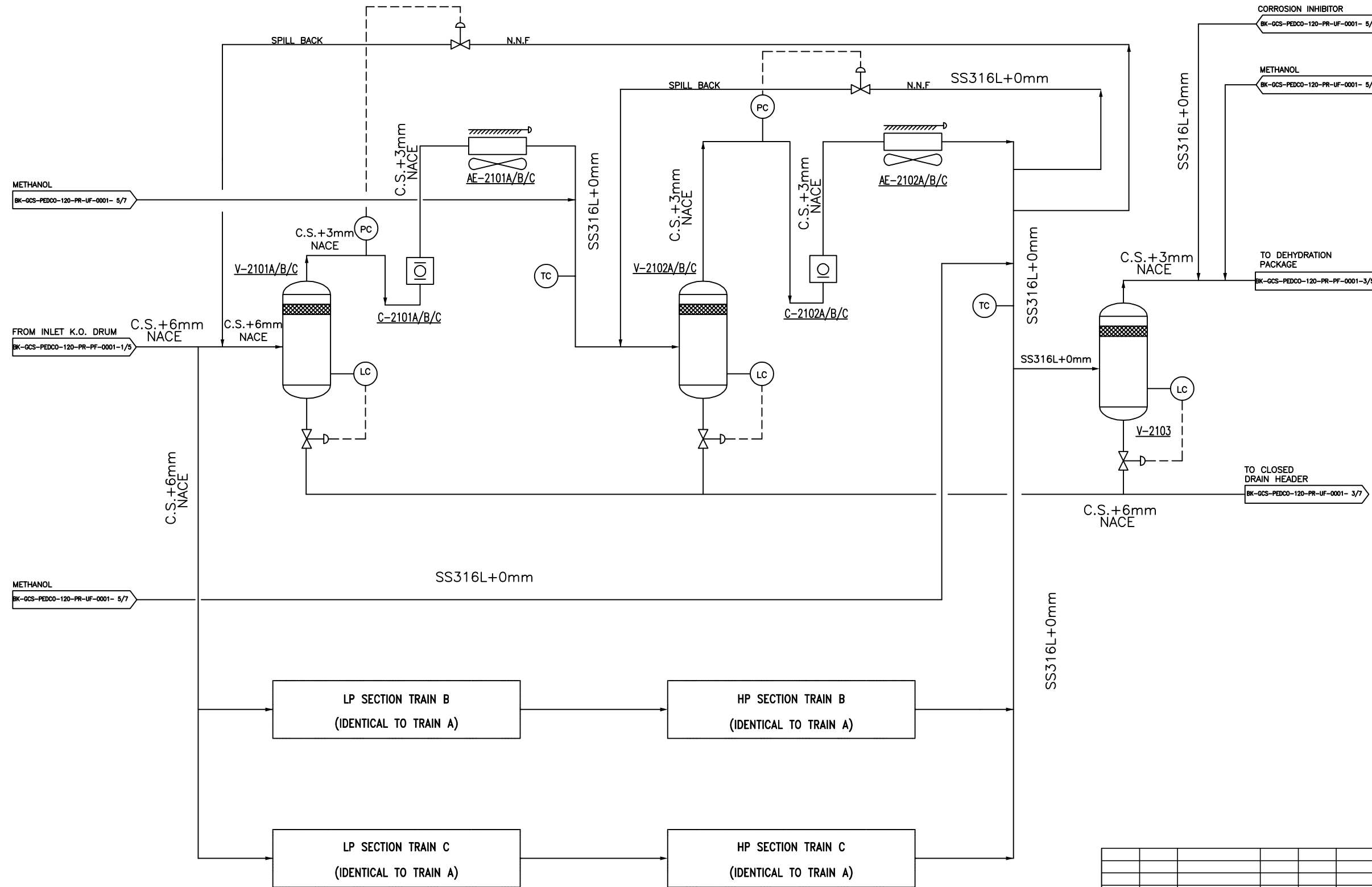
V-2101 A/B/C
1ST STAGE GAS
COMPRESSION SUCTION DRUM
C.S.+Lining (P3)+6mm
NACE MR0175/ISO15156

AE-2101 A/B/C
1ST STAGE GAS
COMPRESSION AIR COOLER
Header & Tube: SS316L + 0mm
NACE MR0175/ISO15156

V-2102 A/B/C
2ND STAGE GAS
COMPRESSION SUCTION DRUM
C.S. plus 3mm Clad SS316L + 0mm
NACE MR0175/ISO15156

AE-2102 A/B/C
2ND STAGE GAS
COMPRESSION AIR COOLER
Header & Tube: SS316L + 0mm
NACE MR0175/ISO15156

V-2103
2ND STAGE GAS
COMPRESSION DISCHARGE DRUM
C.S. plus 3mm Clad SS316L + 0mm
NACE MR0175/ISO15156



C-2101A
1ST STAGE GAS COMPRESSOR

C-2102A
2ND STAGE GAS COMPRESSOR

NOTES
1- 2+1 TRAIN IS CONSIDERED.
2- WALL THICKNESS SHALL BE IN ACCORDANCE WITH WALL THICKNESS CALCULATION REPORT.

LEGEND

REFERENCE DRAWING	DRG. No.
Symbol & Legend For P&ID and PAID	BK-GCS-PEDCO-120-PR-PF-0001
Piping Corrosion Study & Material Selection Report	BK-GCS-PEDCO-120-PR-ST-0001

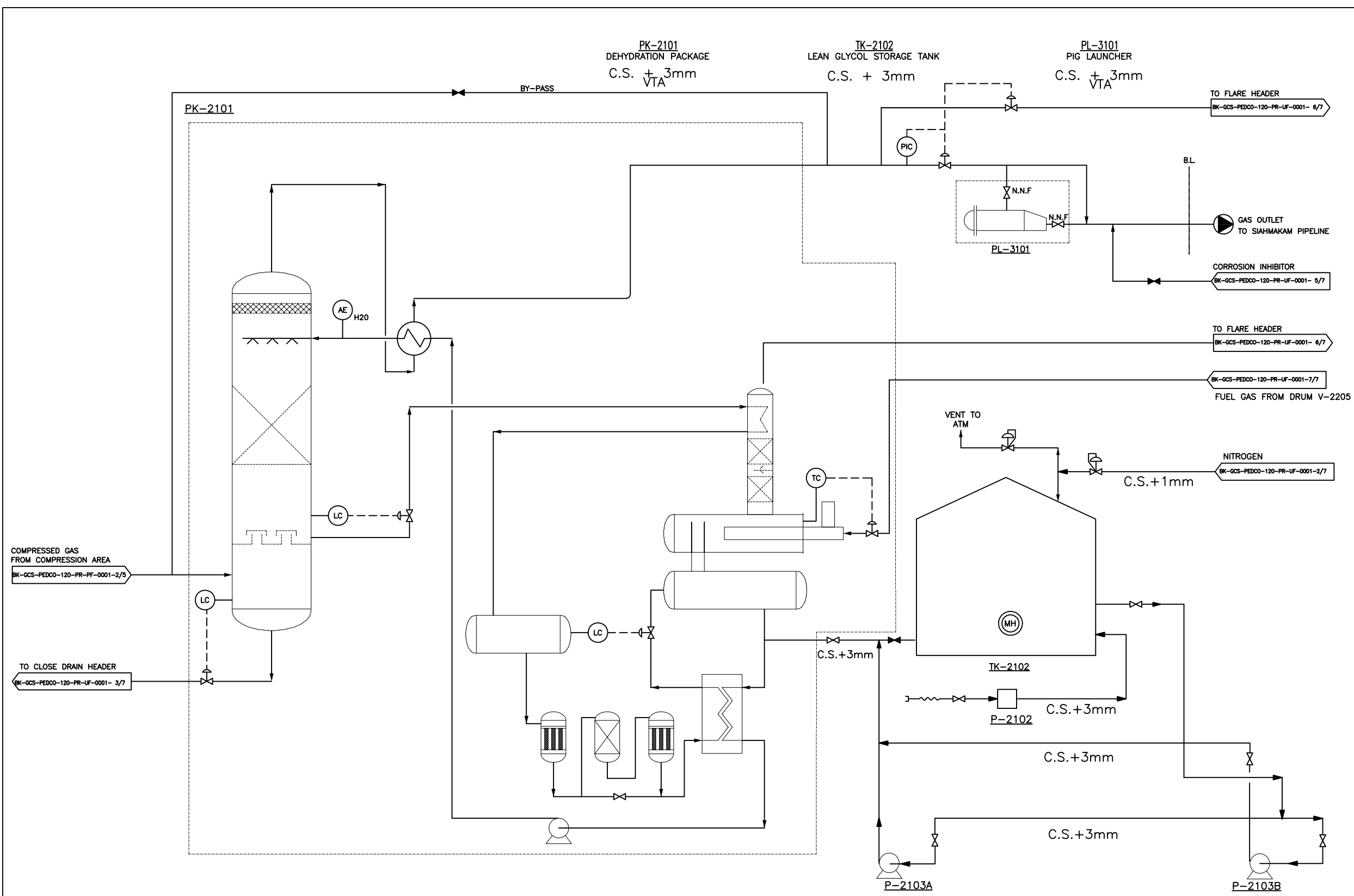
KEY PLAN

REV.	DATE	P.O.I.S	PREP.	CHK.	APP.	AUT.	DESCRIPTION	CHECKED	REV. APPR.
DO1	NOV.2022	IFA	M.AYAPAR	M.PAKHARAN	M.MEHRABAD	**			
DOO	MAY.2022	IPC	M.AYAPAR	M.PAKHARAN	M.MEHRABAD	**			

PROJECT NAME: BINAK OILFIELD DEVELOPMENT/SURFACE FACILITIES GAS COMPRESSOR STATION
PROJECT NO.: 971020
EPC CONTRACTOR: HIRGAN ENERGY - DESIGN & INSPECTION COMPANIES
EPD/EPC CONTRACTOR (GC): PETROIRAN DEVELOPMENT COMPANY

DRAWING TITLE: MATERIAL FLOW DIAGRAM

SCALE	SIZE	DRAWING NO.	SHEET NO.	REV.	BUDGET REF.	LOCATION	SIZE CLASS	SERIAL NO.	SHEET	REVISION
NS	A3	BK-GCS-PEDCO-120-PI-DG-0001	2 OF 3	DO1	063-073-9184	F	2 A	708900	2 OF 3	DO1



NOTES
1- WALL THICKNESS SHALL BE IN ACCORDANCE WITH WALL THICKNESS CALCULATION REPORT.

LEGEND

REFERENCE DRAWING	DRG. No.
Symbol & Legend For PFD and PAID	BK-GCS-PEDCO-120-PR-UF-0001
Piping Corrosion Study & Material Selection Report	BK-GCS-PEDCO-120-PR-UF-0001

KEY PLAN

REV.	DATE	P.O.I.S	PREP.	CHK.	APP.	AUT.	DESCRIPTION	CHECKED	REV. APPR.
DO1	NOV.2022	IFA	M.MYAPAR	M.PAKHARAN	M.MEHRSAID	**			
DO0	MAY.2022	IPC	M.MYAPAR	M.PAKHARAN	M.MEHRSAID	**			

PROJECT NAME: BINAK OILFIELD DEVELOPMENT/SURFACE FACILITIES GAS COMPRESSOR STATION

PROJECT NO.: 971020

EPC CONTRACTOR: HIRGAN ENERGY - DESIGN & INSPECTION COMPANIES

EPD/EPC CONTRACTOR (GC): PETROIRAN DEVELOPMENT COMPANY

BINAK OILFIELD DEVELOPMENT SURFACE FACILITIES GAS COMPRESSOR STATION

DATE: SCALE: DRAWING BY: CHECKED BY: PROJECT ENG.

NO CONSTRUCTION PERMITTED UNLESS DRAWING APPROVED

APPROVED FOR CONSTRUCTION BY: DATE:

SCALE	SIZE	DRAWING NO.	SHEET NO.	REV.	BUDGET REF.	LOCATION	SIZE CLASS	SERIAL NO.	SHEET	REVISION
NS	A3	BK-GCS-PEDCO-120-PI-DG-0001	3 OF 3	DO1	063-073-9184	F	2 A	708900	3 OF 3	DO1

(VENDOR TITLE BLOCK)**