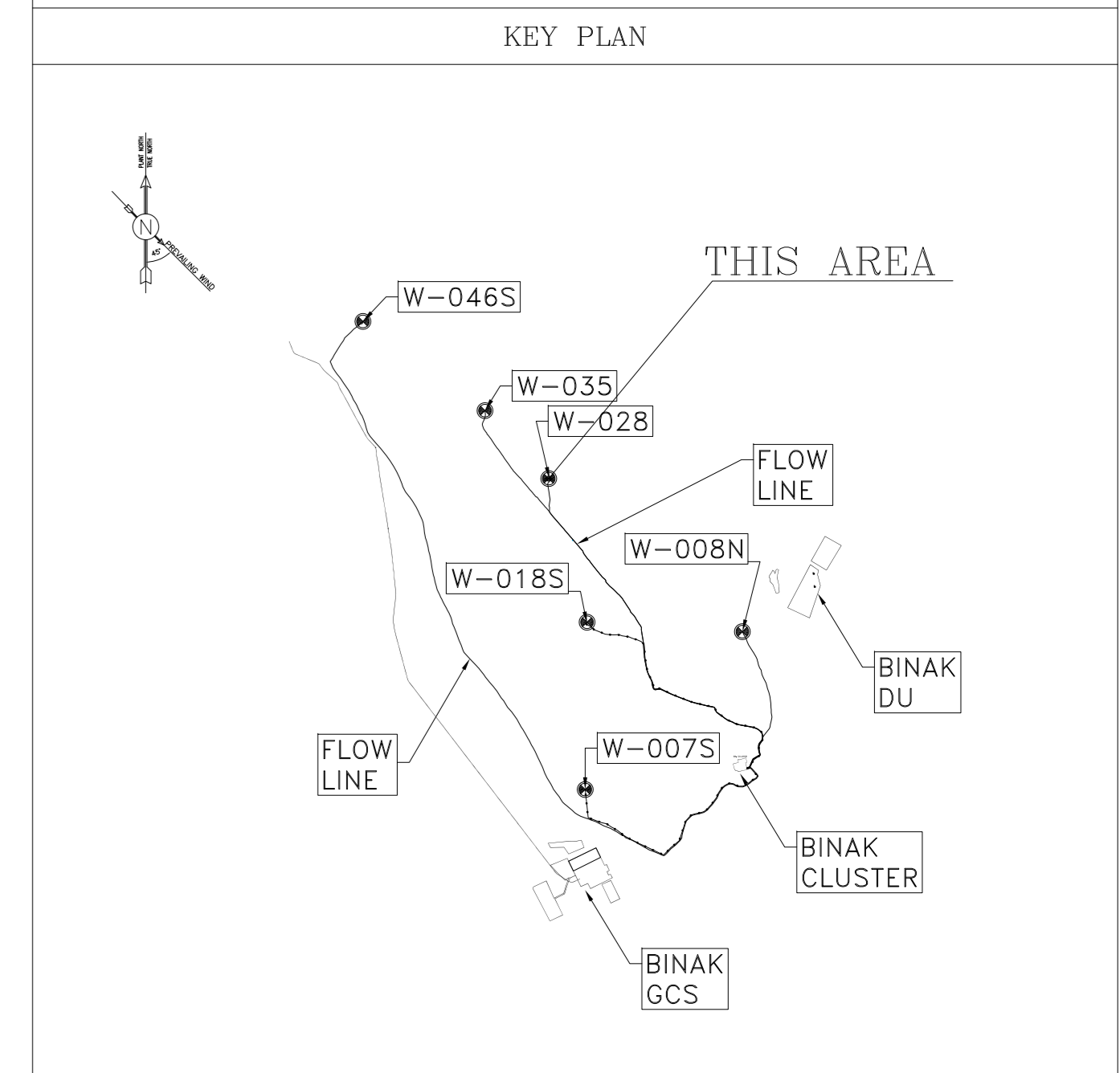


- NOTES**
- 1- ALL DIMENSIONS ARE IN MILLIMETERS, EXCEPT OTHERWISE NOTED.
 - 2- ALL COORDINATES AND ELEVATIONS ARE IN METERS.
 - 3- ALL COORDINATES OF THIS PLAN ARE LOCAL.
 - 4- H.P.P. 100.00m CORRESPONDING TO 34.26 M.S.L.
 - 5- SHOWED PIPING / PIPELINES AND RELEVANT SUPPORTS, ARE INDICATIVE.
 - 6- DIMENSIONS OF W.H.C.P. AND RELEVANT SHELTER WILL BE FINALIZED.
 - 7- REFERENCE COORDINATES E=1000.000 , N=1000.000 REFER TO X=437126.261 , Y=3293090.751 UTM.
 - 8- FOR DETAIL OF BURN PIT & ACCESS ROAD SEE BK-W028-PEDCO-110-CV-PY-0002

- LEGEND & ABBREVIATIONS**
- WP WORKING POINT ELEVATION (CENTER OF PIPE ELEVATION)
 - PF PLATFORM
 - BOP BOTTOM OF PIPE ELEVATION
 - TOS TOP OF STEEL ELEVATION
 - FGL FINISH GRADE LEVEL
 - HPC HIGH POINT OF GRAVEL
 - HPP HIGH POINT OF PAVEMENT
 - MSL MEAN SEA LEVEL
 - SS STRUCTURE SUPPORT
 - PS PIPE SUPPORT
 - SPS SPECIAL PIPE SUPPORT
 - FCS FOR CONTINUE SEE
 - SLOPE
- H.P.P. HIGH POINT PAVING
W.H.C.P. WELL HEAD CONTROL PANEL
- FENCE
 - MATCH LINE
 - WELL LOCATION
 - SURFACE WATER TRENCH
 - GRATING

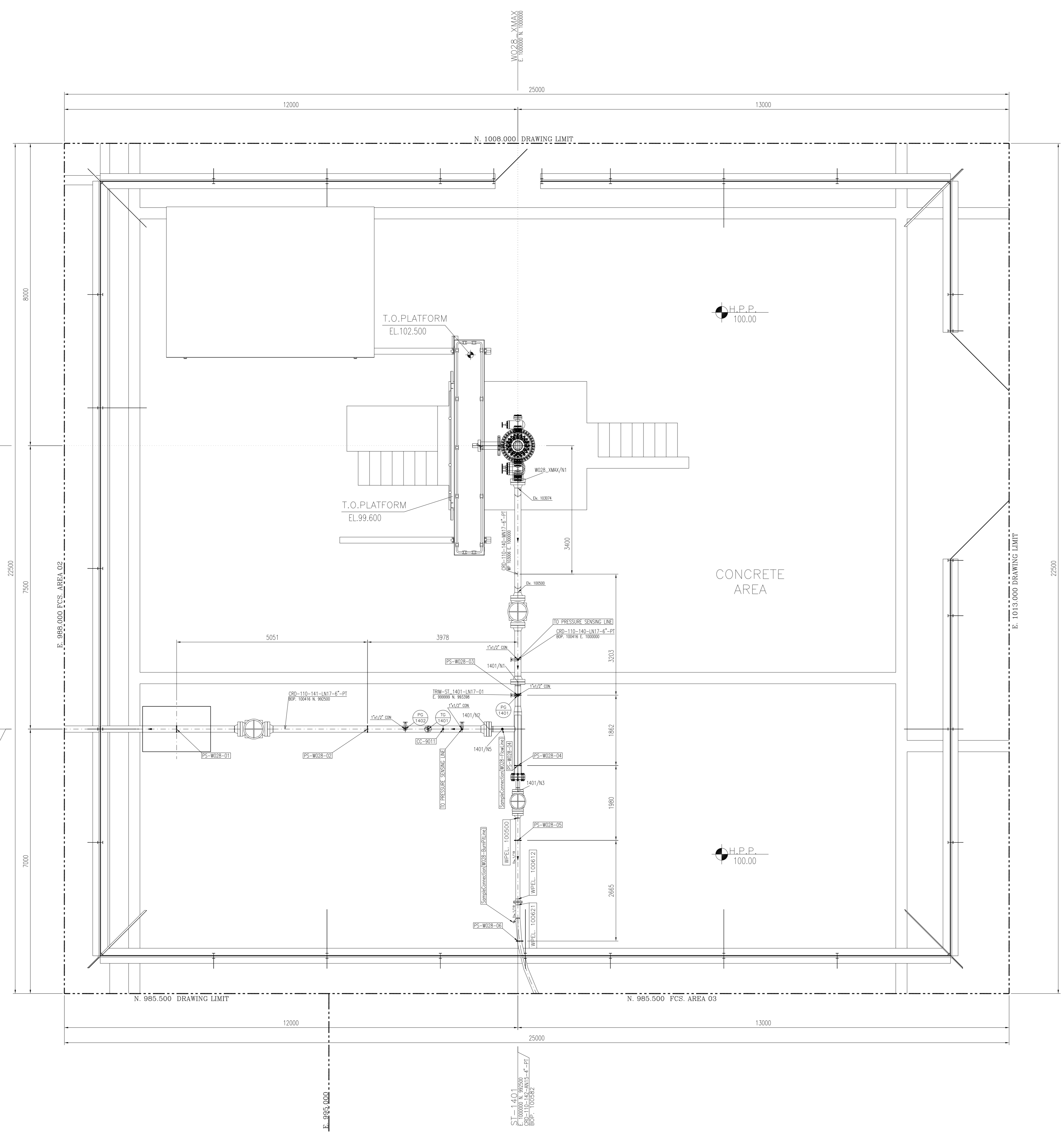
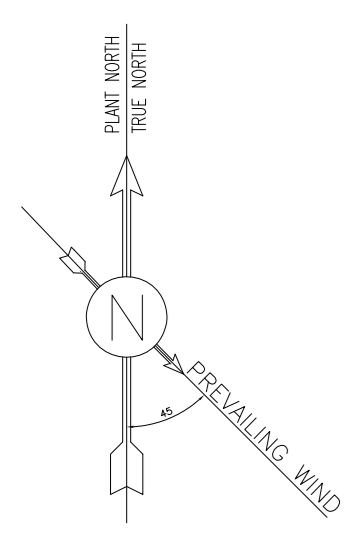
REFERENCE DRAWING	DRG. No.
GENERAL CIVIL LAYOUT - W028	BK-W028-PEDCO-110-CV-PY-0001
CIVIL AND STRUCTURAL DRAWINGS - W028	BK-W028-PEDCO-110-CV-PY-0002
PAID - W028	BK-W028-PEDCO-110-PR-PI-0001
PLOT PLAN DRAWING - W028	BK-W028-PEDCO-110-PI-PY-0001
ROUGH GRADING PLANS - W028	BK-W028-PEDCO-110-CV-DW-0001
FLOW LINE PLAN & PROFILE DRAWINGS - W028	BK-W028-PEDCO-110-SU-DW-0001



OVERALL PIPING PLAN
WELLHEAD.: W028 SC: 1/500

REV.	DESCRIPTION	BY	DATE	CHECKED	BY	DATE	REV. APPR.				
...	*****	**	****	***	*****						
D00	NOV.2022	IFC	M.NOORI	M.FAKHARIAN	M.MEHRSHAD	...					
REV.	DATE	P.O.I.S	PREP.	CHK.	APP.	AUT.					
PROJECT NAME: BINAK OILFIELD DEVELOPMENT/SUB-SURFACE WORK PACKAGES W028 WELLHEAD FACILITIES											
PROJECT NO.: 971020											
EPC CONTRACTOR: HIRGAN ENERGY - DESIGN & INSPECTION COMPANIES				GENERAL CONTRACTOR: PETROIRAN DEVELOPMENT COMPANY							
DRAWING TITLE: PIPING PLAN - W028											
NO CONSTRUCTION PERMITTED UNLESS DRAWING APPROVED											
APPROVED FOR CONSTRUCTION				BY:		DATE:					
SCALE	SIZE	DRAWING NO.	SHEET NO.	REV.	BUDGET REF.	LOCATION	SIZE	CLASS	SERIAL NO.	SHEET	REVISION
AS SHOWN	A0	BK-W028-PEDCO-110-PI-DW-0002	1 OF 4	D00	053-073-9184	F	4	L	707521	1 OF 4	D00

اصل و کلیه نسخ این نقشه و حق اقتباس متعلق به شرکت ملی مناطق نفت خیز جنوب می باشد.
THE ORIGINAL AND ALL COPIES OF THIS DRAWING TOGETHER WITH THE COPYRIGHT THEREIN ARE THE SOLE PROPERTY OF N.I.S.O.C./ FIELDS



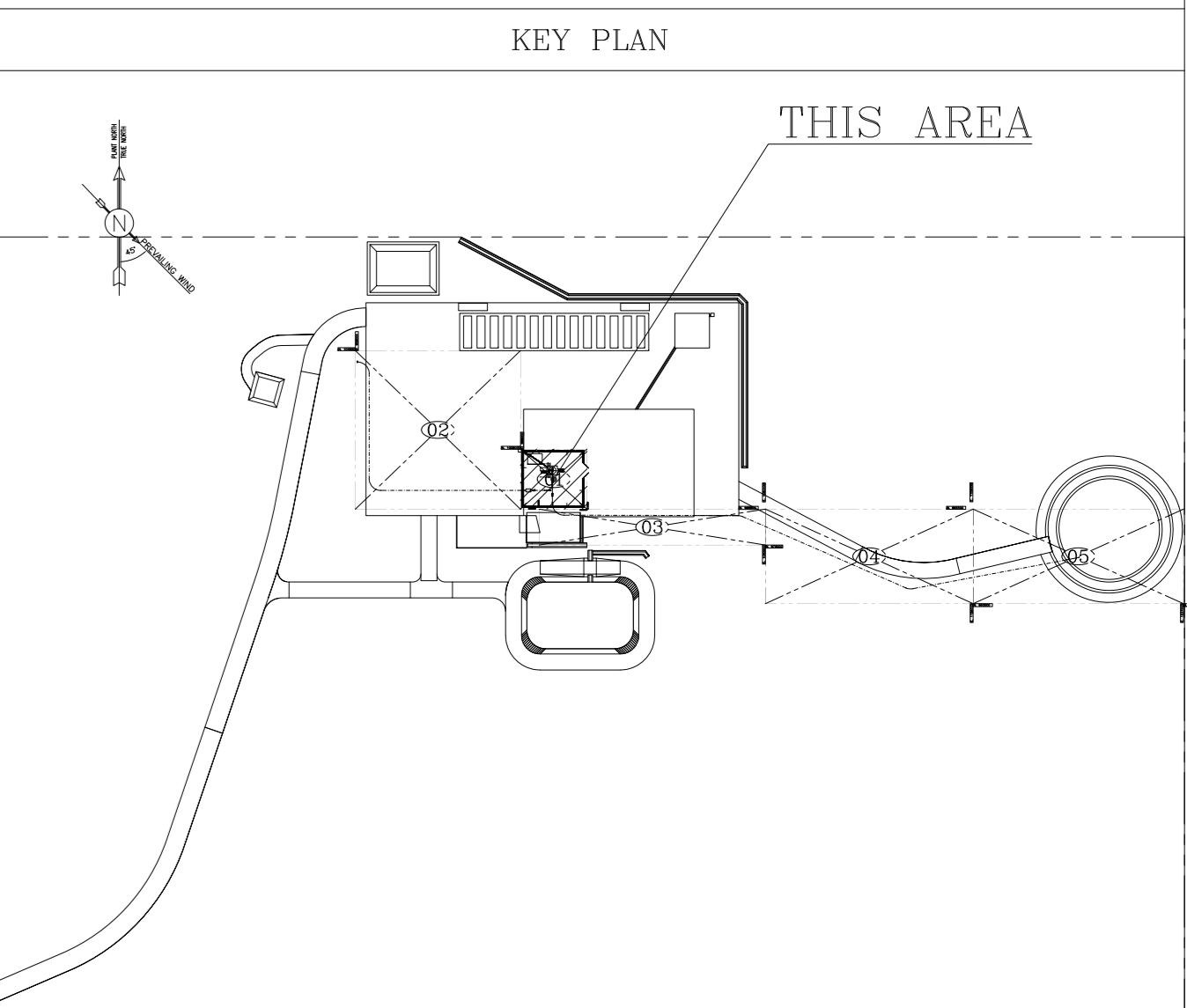
AREA 01
EL. 9000 ~ EL. 10700 SC:1/50

NO.	SIZE	ORIENT.	RATING	CODE	ELEV.	PROJ.
W028_XMAX GRID NO.(12-1)						
W028_XMAX/N1	6"	180	CL 1500# RTT	ANSI B16.5	103074	-
ST-1401 GRID NO.(12-L)						
1401/N1	6"	0	CL 125# FF	-	100500	-
1401/N2	6"	270	CL 125# FF	-	100500	-
1401/N3	4"	180	CL 125# FF	-	100500	-
1401/N4	1"	BOTTOM	-	-	100575	-
1401/N5	1"	BOTTOM	-	-	100575	-

- NOTES**
- 1- ALL DIMENSIONS ARE IN MILLIMETERS, EXCEPT OTHERWISE NOTED.
 - 2- ALL COORDINATES AND ELEVATIONS ARE IN METERS.
 - 3- ALL COORDINATES OF THIS PLAN ARE LOCAL.
 - 4- H.P.P. 100.00m CORRESPONDING TO 34.26 M.S.L.
 - 5- SHOWED PIPING / PIPELINES AND RELEVANT SUPPORTS, ARE INDICATIVE.
 - 6- DIMENSIONS OF W.H.C.P. AND RELEVANT SHELTER WILL BE FINALIZED.
 - 7- REFERENCE COORDINATES E=1000.000 , N=1000.000 REFER TO X=437126.261 , Y=3293090.751 UTM.
 - 8- FOR DETAIL OF BURN PIT & ACCESS ROAD SEE BK-W028-PEDCO-110-CV-PY-0002

- LEGEND & ABBREVIATIONS**
- WP WORKING POINT ELEVATION (CENTER OF PIPE ELEVATION)
 - PF PLATFORM
 - BOP BOTTOM OF PIPE ELEVATION
 - TOS TOP OF STEEL ELEVATION
 - FGL FINISH GRADE LEVEL
 - HPG HIGH POINT OF GRAVEL
 - HPP HIGH POINT OF PAVEMENT
 - MSL MEAN SEA LEVEL
 - SS STRUCTURE SUPPORT
 - PS PIPE SUPPORT
 - SPS SPECIAL PIPE SUPPORT
 - FCS FOR CONTINUE SEE
 - SLOPE SLOPE
- H.P.P. HIGH POINT PAVING
W.H.C.P. WELL HEAD CONTROL PANEL
- FENCE
 - MATCH LINE
 - WELL LOCATION
 - SURFACE WATER TRENCH
 - GRATING

REFERENCE DRAWING	DRG. No.
GENERAL CIVIL LAYOUT - W028	BK-W028-PEDCO-110-CV-PY-0001
CIVIL AND STRUCTURAL DRAWINGS - W028	BK-W028-PEDCO-110-CV-PY-0002
P&ID - W028	BK-W028-PEDCO-110-PR-PI-0001
PLOT PLAN DRAWING - W028	BK-W028-PEDCO-110-PI-PY-0001
ROUGH GRADING PLANS - W028	BK-W028-PEDCO-110-CV-DW-0001
FLOW LINE PLAN & PROFILE DRAWINGS - W028	BK-W028-PEDCO-110-SU-DW-0001



REV.	DATE	DESCRIPTION	BY	DATE	BY	DATE
D00	NOV.2022	IFC	M.NOORI	M.FAKHARIAN	M.MEHRSHAD	***
REV.	DATE	P.O.I.S	PREP.	CHK.	APP.	AUT.

PROJECT NAME: BINAK OILFIELD DEVELOPMENT/SUB-SURFACE WORK PACKAGES W028 WELLHEAD FACILITIES

PROJECT NO.: 971020

EPC CONTRACTOR: HIRGAN ENERGY, T&E

GENERAL CONTRACTOR: PETROIRAN DEVELOPMENT COMPANY, PEDCO

THE ORIGINAL AND ALL COPIES OF THIS DRAWING TOGETHER WITH THE COPYRIGHT THEREIN ARE THE SOLE PROPERTY OF N.I.S.O.C./ FIELDS

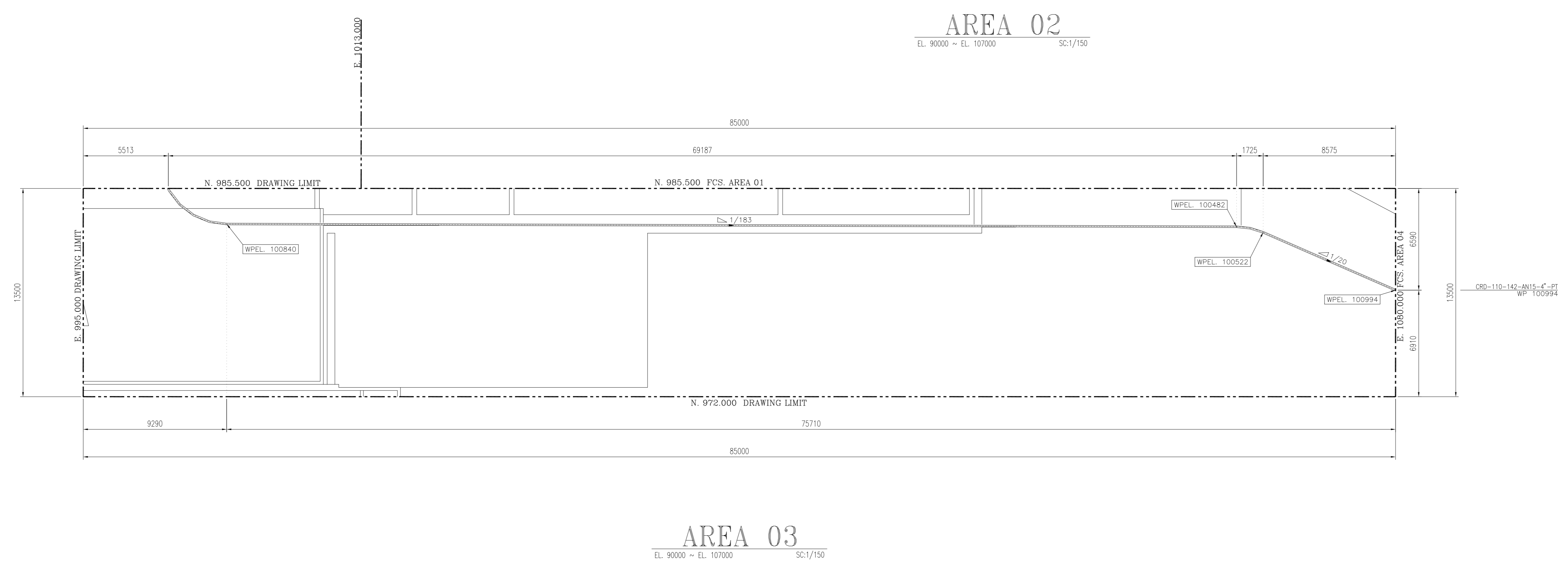
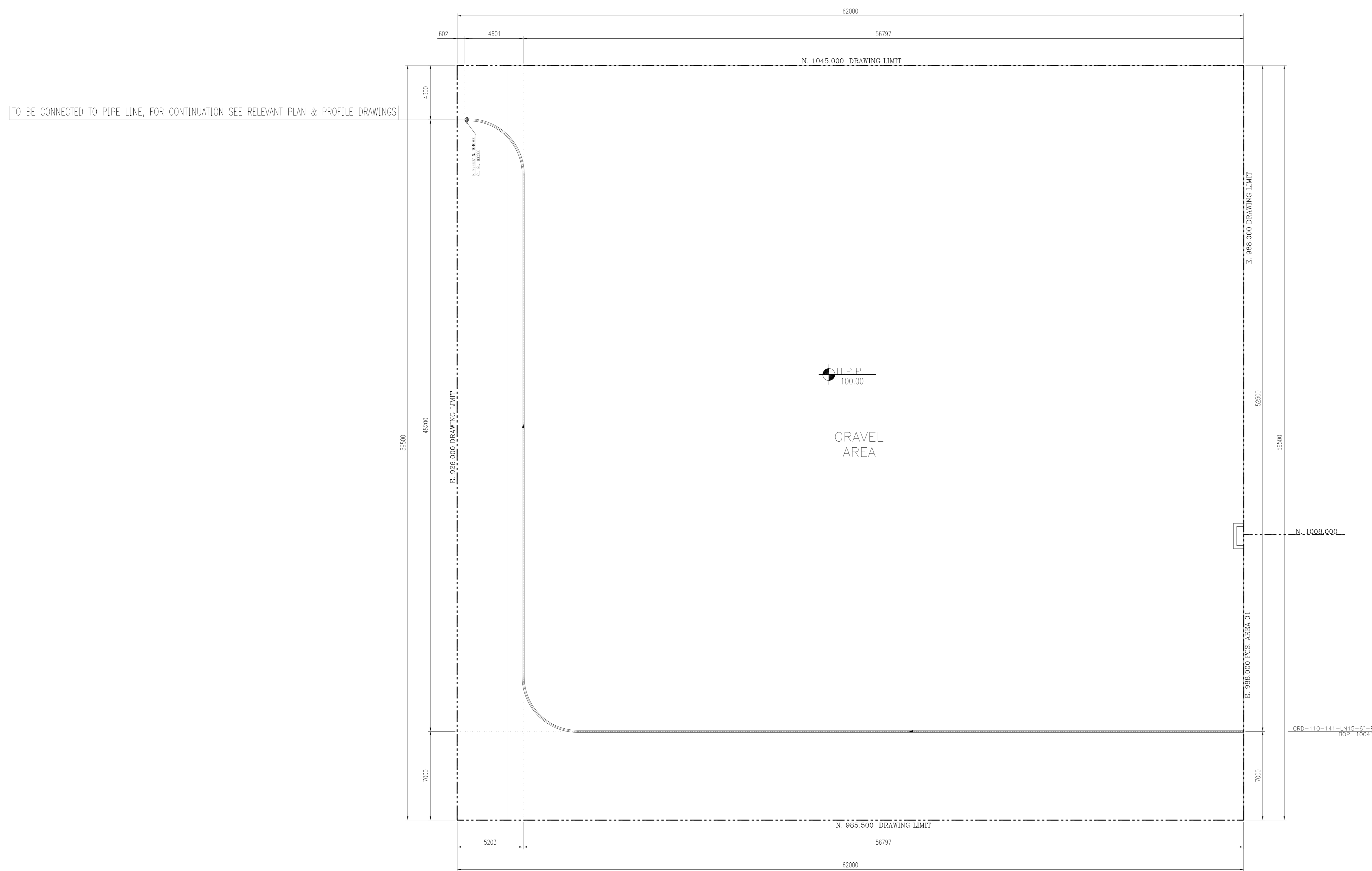
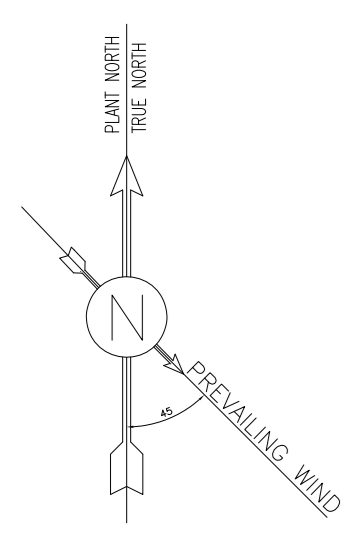
BINAK OILFIELD DEVELOPMENT SUB-SURFACE WORK PACKAGES W028 WELLHEAD FACILITIES

DATE	SCALE	DRAWING BY	CHECKED BY	PROJECT ENG.

DRAWING TITLE: PIPING PLAN - W028

NO CONSTRUCTION PERMITTED UNLESS DRAWING APPROVED

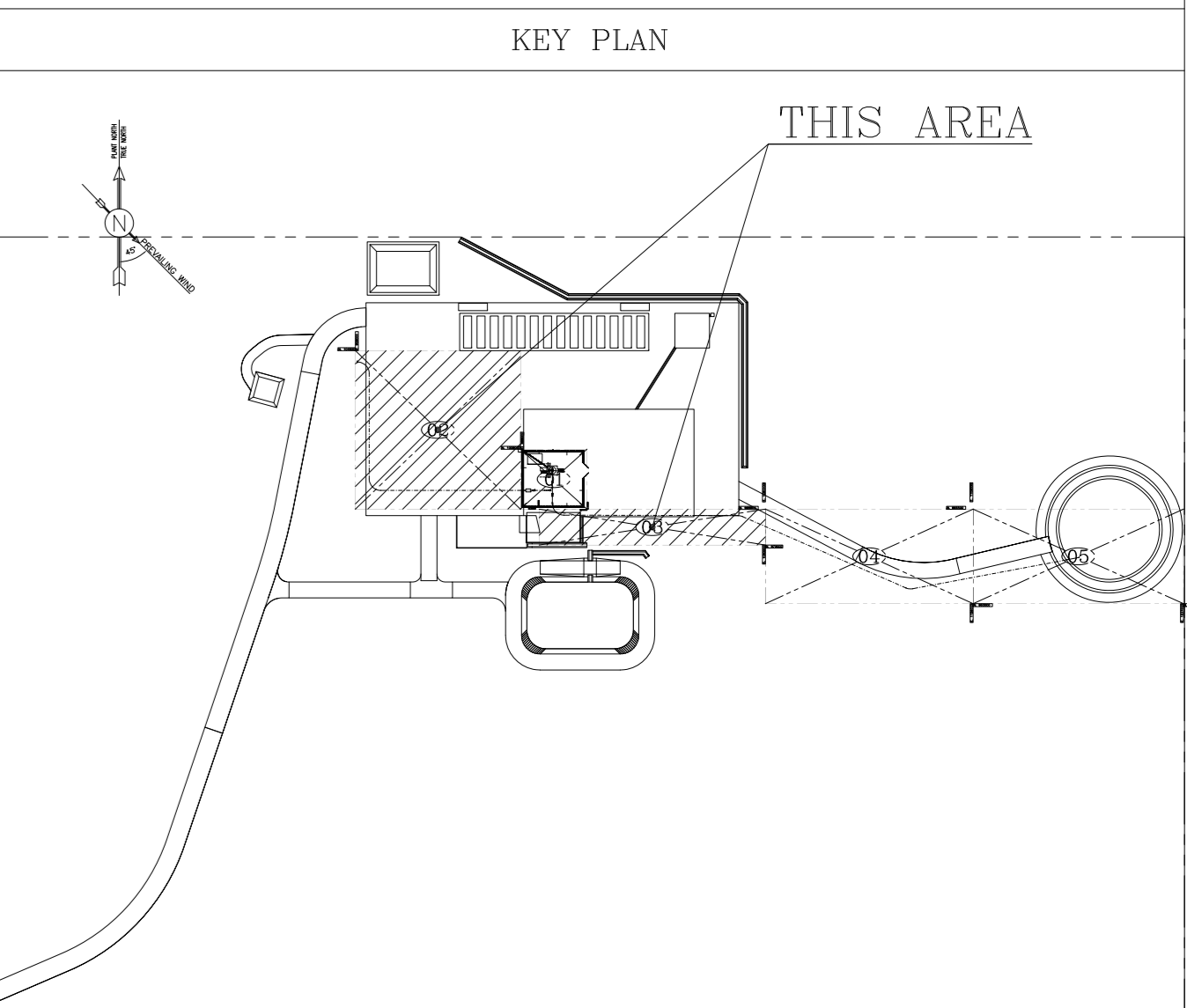
SCALE	SIZE	DRAWING NO.	SHEET NO.	REV.	BUDGET REF.	LOCATION	SIZE	CLASS	SERIAL NO.	SHEET	REVISION
SC: 1/50	A0	BK-W028-PEDCO-110-PI-PW-0002	2 OF 4	D00	053-073-9184	F	4	L	707521	2 OF 4	D00



- NOTES**
- 1- ALL DIMENSIONS ARE IN MILLIMETERS, EXCEPT OTHERWISE NOTED.
 - 2- ALL COORDINATES AND ELEVATIONS ARE IN METERS.
 - 3- ALL COORDINATES OF THIS PLAN ARE LOCAL.
 - 4- H.P.P. 100.00m CORRESPONDING TO 34.26 M.S.L.
 - 5- SHOWED PIPING / PIPELINES AND RELEVANT SUPPORTS, ARE INDICATIVE.
 - 6- DIMENSIONS OF W.H.C.P. AND RELEVANT SHELTER WILL BE FINALIZED.
 - 7- REFERENCE COORDINATES E=1000.000 , N=1000.000 REFER TO X=437126.261 , Y=3293090.751 UTM.
 - 8- FOR DETAIL OF BURN PIT & ACCESS ROAD SEE BK-W028-PEDCO-110-CV-PY-0002

- LEGEND & ABBREVIATIONS**
- WP WORKING POINT ELEVATION (CENTER OF PIPE ELEVATION)
 - PF PLATFORM
 - BOP BOTTOM OF PIPE ELEVATION
 - TOS TOP OF STEEL ELEVATION
 - FGL FINISH GRADE LEVEL
 - HPC HIGH POINT OF GRAVEL
 - HPP HIGH POINT OF PAVEMENT
 - MSL MEAN SEA LEVEL
 - SS STRUCTURE SUPPORT
 - PS PIPE SUPPORT
 - SPS SPECIAL PIPE SUPPORT
 - FCS FOR CONTINUE SEE
 - SLOPE
- H.P.P. HIGH POINT PAVING
W.H.C.P. WELL HEAD CONTROL PANEL
- FENCE
 - - - - MATCH LINE
 - WELL LOCATION
 - SURFACE WATER TRENCH
 - ▨ GRATING

REFERENCE DRAWING	DRG. No.
GENERAL CIVIL LAYOUT - W028	BK-W028-PEDCO-110-CV-PY-0001
CIVIL AND STRUCTURAL DRAWINGS - W028	BK-W028-PEDCO-110-CV-PY-0002
PAID - W028	BK-W028-PEDCO-110-PR-PI-0001
PLOT PLAN DRAWING - W028	BK-W028-PEDCO-110-PI-PY-0001
ROUGH GRADING PLANS - W028	BK-W028-PEDCO-110-CV-DW-0001
FLOW LINE PLAN & PROFILE DRAWINGS - W028	BK-W028-PEDCO-110-SU-DW-0001



REV.	DESCRIPTION	BY	DATE	BY	DATE	
D00	NOV.2022	IFC	M.NOORI	M.FAKHARIAN	M.MEHRSHAD	
REV.	DATE	P.O.I.S	PREP.	CHK.	APP.	AUT.

PROJECT NAME: BINAK OILFIELD DEVELOPMENT/SUB-SURFACE WORK PACKAGES W028 WELLHEAD FACILITIES

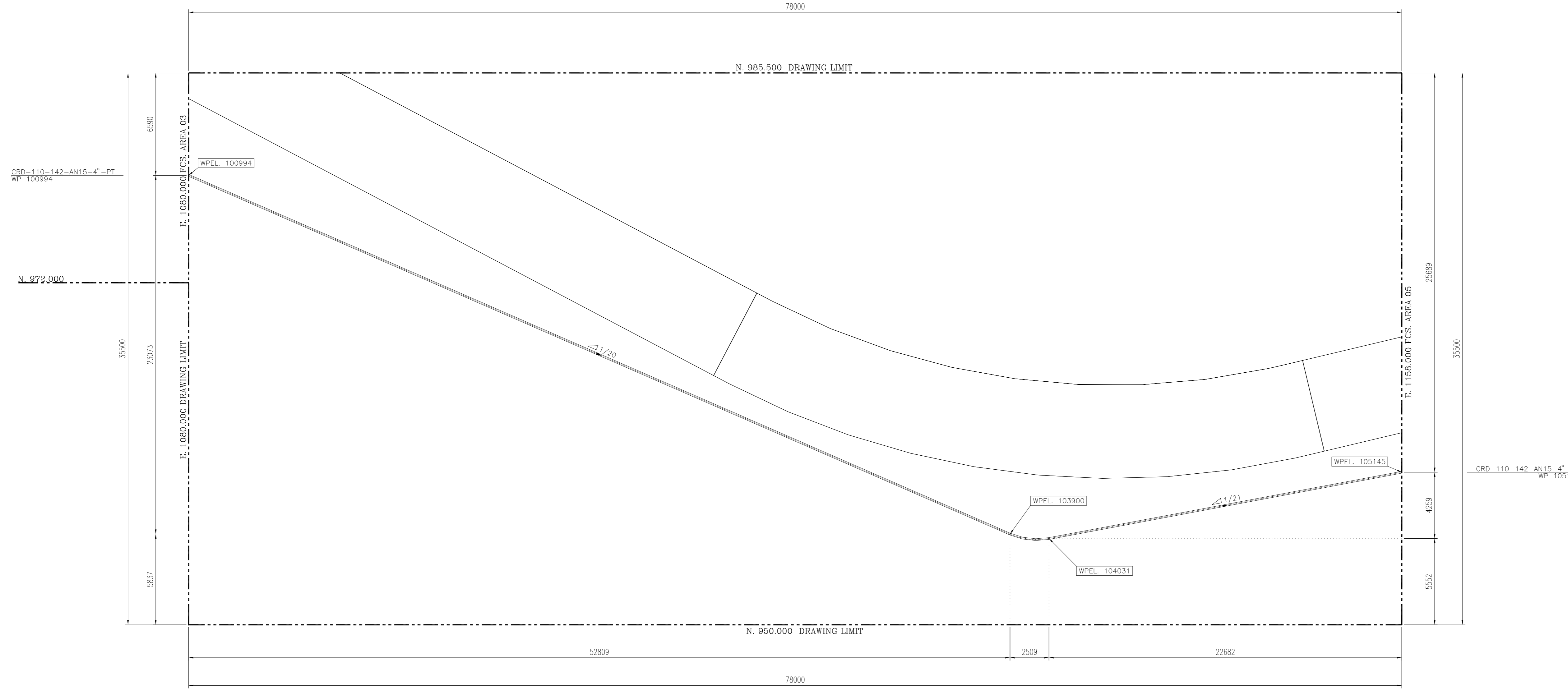
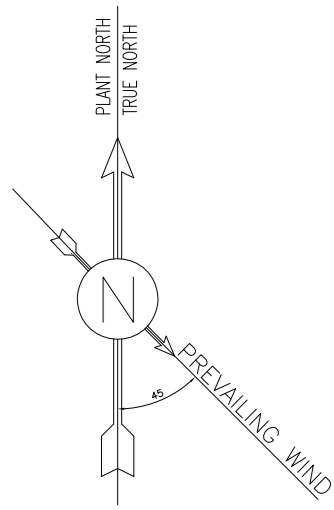
PROJECT NO.: 971020

EPC CONTRACTOR: HIRGAN ENERGY - DESIGN & INSPECTION COMPANIES

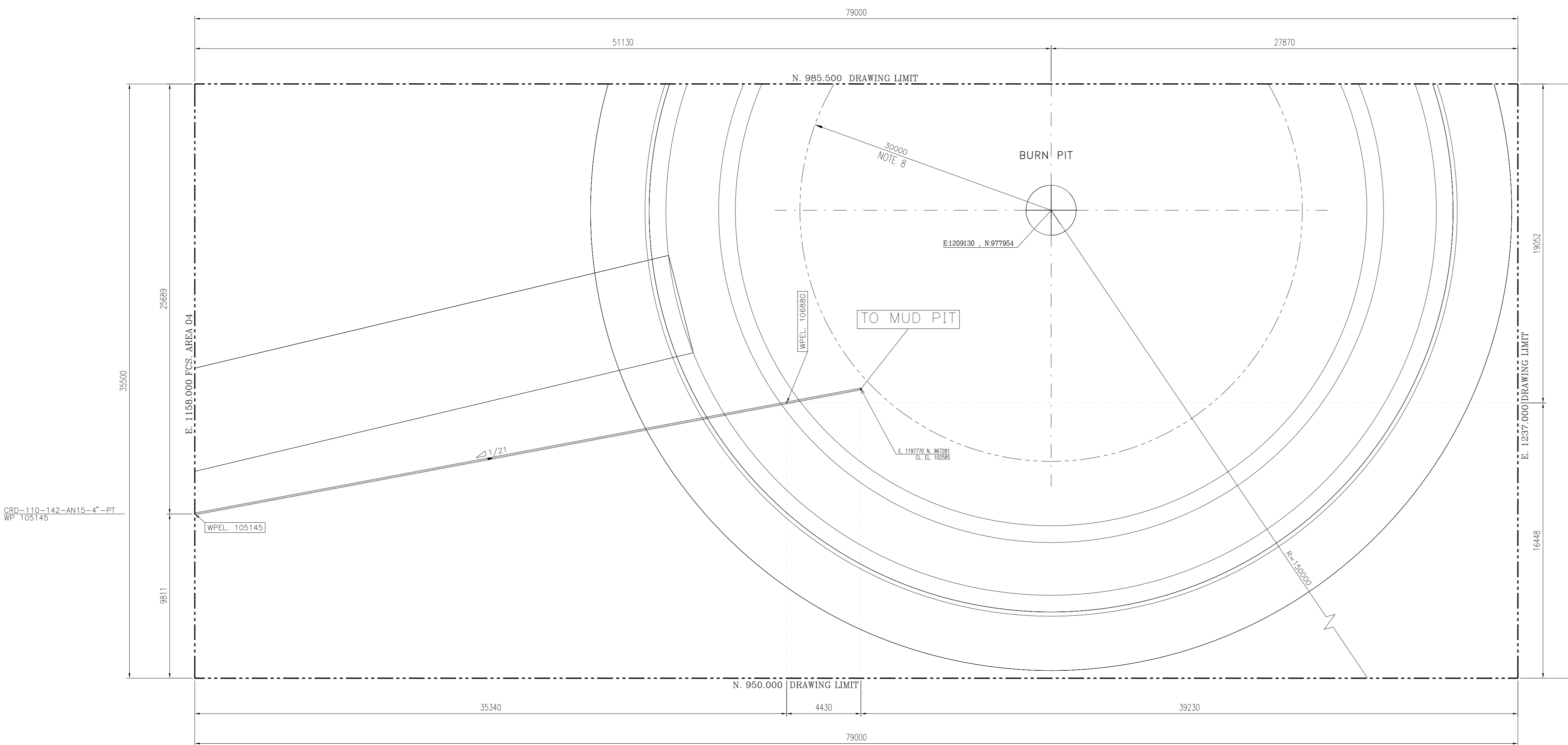
GENERAL CONTRACTOR: PETROIRAN DEVELOPMENT COMPANY

DRAWING TITLE: PIPING PLAN - W028

SCALE	SIZE	DRAWING NO.	SHEET NO.	REV.	BUDGET REF.	LOCATION	SIZE	CLASS	SERIAL NO.	SHEET	REVISION
AS SHOWN	A0	BK-W028-PEDCO-110-PI-PW-0002	3 OF 4	D00	053-073-9184	F	4	L	707521	3 OF 4	D00



AREA 04
EL. -9000 ~ EL. 11000 SC:1/150



AREA 05
EL. -9000 ~ EL. 10700 SC:1/150

NOTES

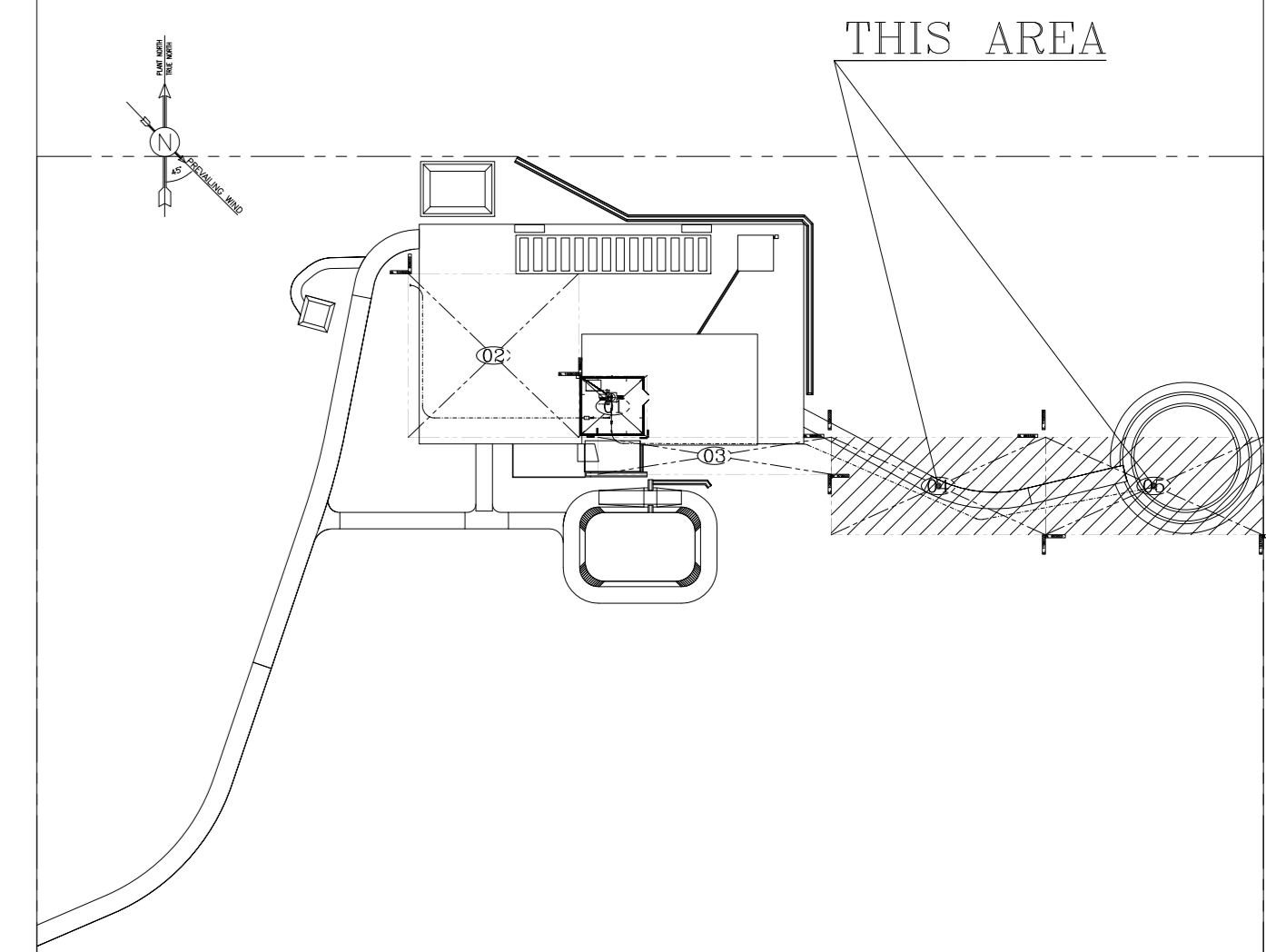
- 1- ALL DIMENSIONS ARE IN MILLIMETERS, EXCEPT OTHERWISE NOTED.
- 2- ALL COORDINATES AND ELEVATIONS ARE IN METERS.
- 3- ALL COORDINATES OF THIS PLAN ARE LOCAL.
- 4- H.P.P. 100.00m CORRESPONDING TO 34.26 M.S.L.
- 5- SHOWED PIPING / PIPELINES AND RELEVANT SUPPORTS, ARE INDICATIVE.
- 6- DIMENSIONS OF W.H.C.P. AND RELEVANT SHELTER WILL BE FINALIZED.
- 7- REFERENCE COORDINATES E=1000.000 , N=1000.000 REFER TO X=437126.261 , Y=3293090.751 UTM.
- 8- FOR DETAIL OF BURN PIT & ACCESS ROAD SEE BK-W028-PEDCO-110-CV-PY-0002

LEGEND & ABBREVIATIONS

- WP WORKING POINT ELEVATION (CENTER OF PIPE ELEVATION)
 - PF PLATFORM
 - BOP BOTTOM OF PIPE ELEVATION
 - TOS TOP OF STEEL ELEVATION
 - FGL FINISH GRADE LEVEL
 - HPC HIGH POINT OF GRAVEL
 - HPP HIGH POINT OF PAVEMENT
 - MSL MEAN SEA LEVEL
 - SS STRUCTURE SUPPORT
 - PS PIPE SUPPORT
 - SPS SPECIAL PIPE SUPPORT
 - FCS FOR CONTINUE SEE
 - SLOPE
- H.P.P. HIGH POINT PAVING
W.H.C.P. WELL HEAD CONTROL PANEL
- FENCE
 - MATCH LINE
 - WELL LOCATION
 - SURFACE WATER TRENCH
 - ▨ GRATING

REFERENCE DRAWING	DRG. No.
GENERAL CIVIL LAYOUT - W028	BK-W028-PEDCO-110-CV-PY-0001
CIVIL AND STRUCTURAL DRAWINGS - W028	BK-W028-PEDCO-110-CV-PY-0002
P&ID - W028	BK-W028-PEDCO-110-PR-PI-0001
PLOT PLAN DRAWING - W028	BK-W028-PEDCO-110-PI-PY-0001
ROUGH GRADING PLANS - W028	BK-W028-PEDCO-110-CV-DW-0001
FLOW LINE PLAN & PROFILE DRAWINGS - W028	BK-W028-PEDCO-110-SU-DW-0001

KEY PLAN



REV.	DATE	DESCRIPTION	BY	DATE	BY	DATE
DOO	NOV.2022	IFC	M.NOORI	M.FAKHRIAN	M.MEHRSHAD	***
REV.	DATE	P.O.I.S	PREP.	CHK.	APP.	AUT.

PROJECT NAME: BINAK OILFIELD DEVELOPMENT/SUB-SURFACE WORK PACKAGES W028 WELLHEAD FACILITIES

PROJECT NO.: 971020

EPC CONTRACTOR: HIRGAN ENERGY (Logo) TE (Logo)
HIRGAN ENERGY - DESIGN & INSPECTION COMPANIES

GENERAL CONTRACTOR: PETROIRAN DEVELOPMENT COMPANY (Logo) PEDCO (Logo)

DRAWING TITLE: PIPING PLAN - W028

NO CONSTRUCTION PERMITTED UNLESS DRAWING APPROVED

APPROVED FOR CONSTRUCTION BY: DATE:

SCALE	SIZE	DRAWING NO.	SHEET NO.	REV.	BUDGET REF.	LOCATION	SIZE	CLASS	SERIAL NO.	SHEET	REVISION
AS SHOWN	A0	BK-W028-PEDCO-110-PI-PW-0002	4 OF 4	DOO	053-073-9184	F	4	L	707521	4 OF 4	DOO