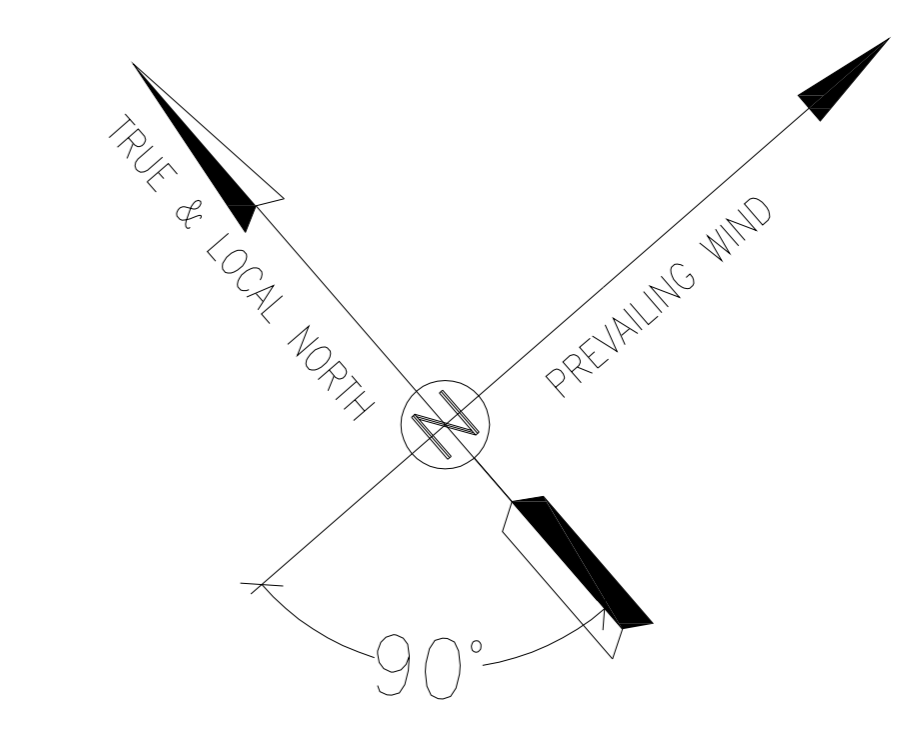


TAG NO.	AREA LIST
01	FUEL TANK
02	SECURITY ROOM
03	SWITCHGEAR
04	WATER TANK
05	FIRE FIGHTING SHELTER
06	DIESEL GENERATOR SHELTER
07	IRP PUMP



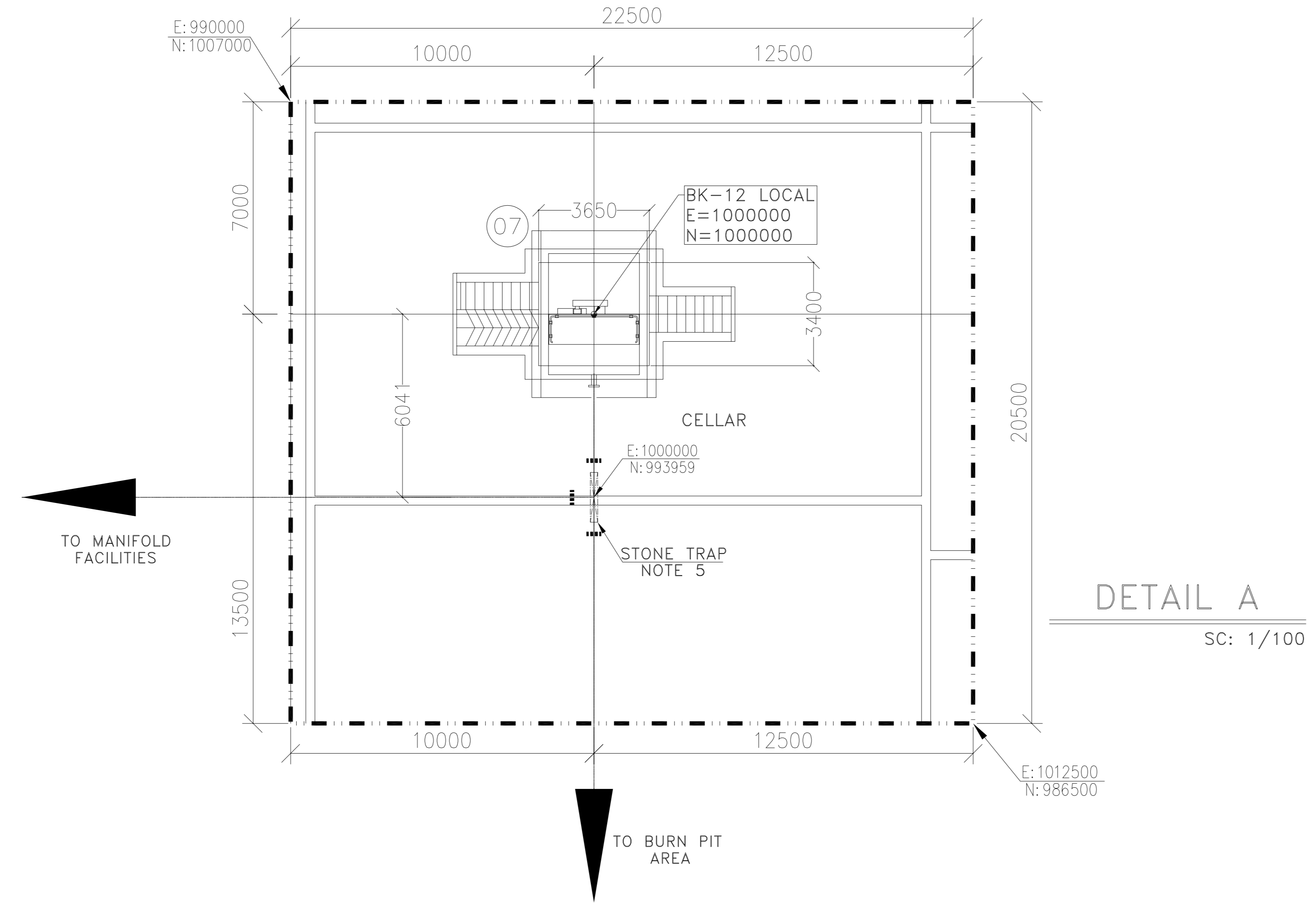
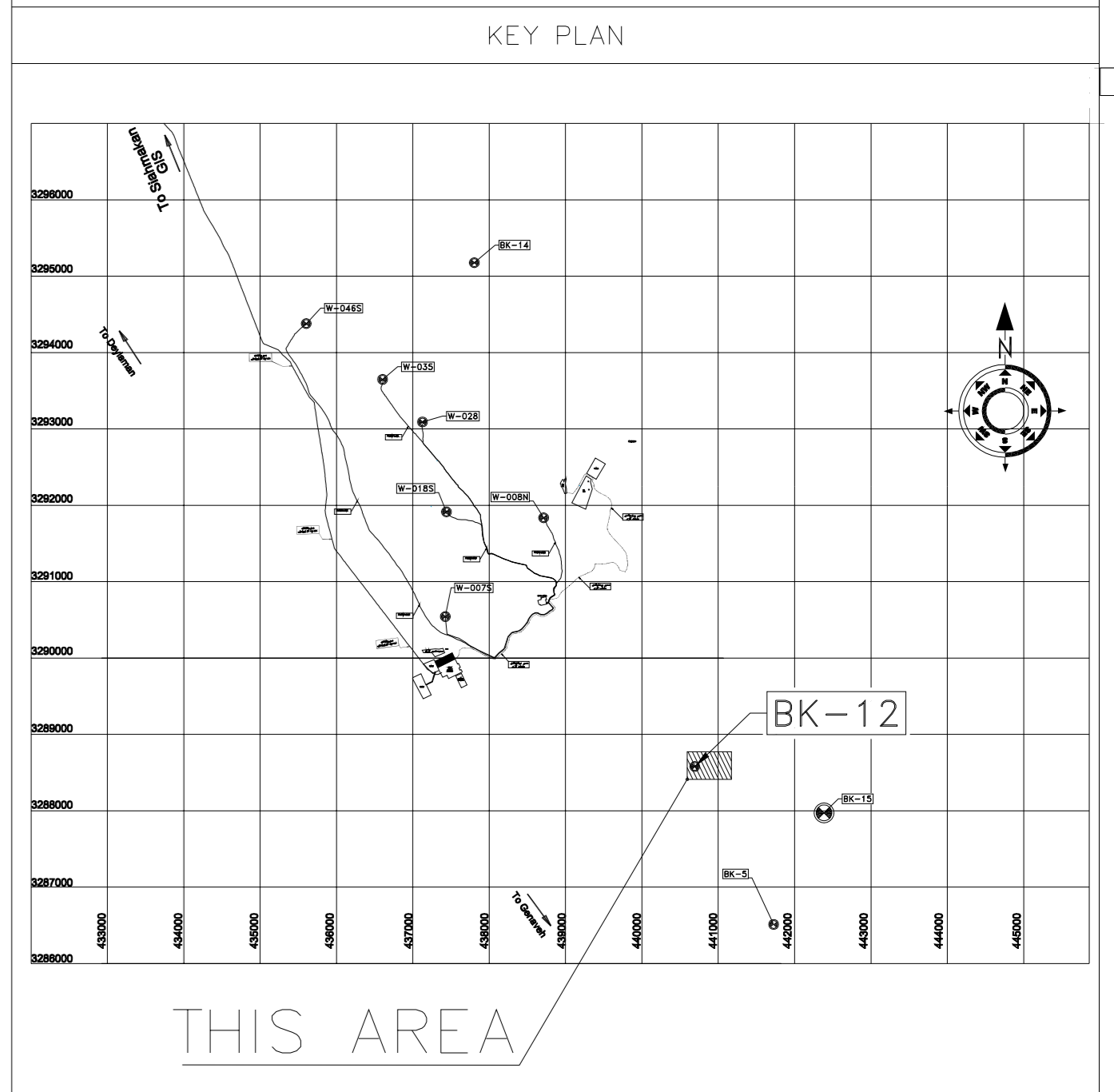
NOTES

- 1- ALL DIMENSIONS ARE IN MILLIMETERS, EXCEPT OTHERWISE NOTED.
- 2- ALL ELEVATIONS ARE IN METERS.
- 3- ALL COORDINATES OF THIS PLAN ARE LOCAL.
- 4- H.P.P. 100.00m CORRESPONDING TO -- M.S.L.
- 5- SHOWN PIPING / PIPELINES AND RELEVANT SUPPORTS, ARE INDICATIVE.
- 6- DIMENSIONS OF W.H.C.P. AND RELEVANT SHELTER WILL BE FINALIZED.
- 7- REFERENCE COORDINATES E=1000.000 , N=1000.000 REFER TO X=441691.712 , Y=3286504.044 UTM, WGS84 ZONE 39 - NORTH

LEGEND & ABBREVIATIONS

H.P.P.	HIGH POINT PAVING
W.H.C.P.	WELL HEAD CONTROL PANEL
—x—x—	FENCE
---	MATCH LINE
○	WELL LOCATION
—	SURFACE WATER TRENCH
▨	GRATING

REFERENCE DRAWING	DRG. No.
GENERAL CIVIL LAYOUT - BK12	BK-BK12-PEDCO-110-CV-PY-0001
CIVIL AND STRUCTURAL DRAWINGS - BK12	BK-BK12-PEDCO-110-CV-DW-0001
OVER HEAD LINE PLAN AND PROFILE - BK12	BK-BK12-PEDCO-110-SU-DW-0001



REV.	DATE	DESCRIPTION	BY	DATE	BY	DATE
D00	JAN.2023	IFC	M.MANDRI	M.FAKHARIAN	M.MEHRSHAD	***
REV.	DATE	P.O.I.S	PREP.	CHK.	APP.	AUT.
PROJECT NAME: BINAK OILFIELD DEVELOPMENT/SUB-SURFACE WORK PACKAGES BK12 WHF MODIFICATIONS						
PROJECT NO.: 971020			EPC CONTRACTOR: HIRGAN ENERGY - DESIGN & INSPECTION COMPANIES			
GENERAL CONTRACTOR: PETROIRAN DEVELOPMENT COMPANY			DRAWING TITLE: PLOT PLAN DRAWING-BK12			
NO CONSTRUCTION PERMITTED UNLESS DRAWING APPROVED						
APPROVED FOR CONSTRUCTION			BY:		DATE:	
SCALE	SIZE	DRAWING NO.	SHEET NO.	REV.	BUDGET REF.	LOCATION
AS SHOWN	A0	BK-BK12-PEDCO-110-PI-PY-0001	1 OF 1	D00	053-073-9184	F 5 A
				SERIAL NO.	SHEET	REVISION
				709504	1 OF 1	D00