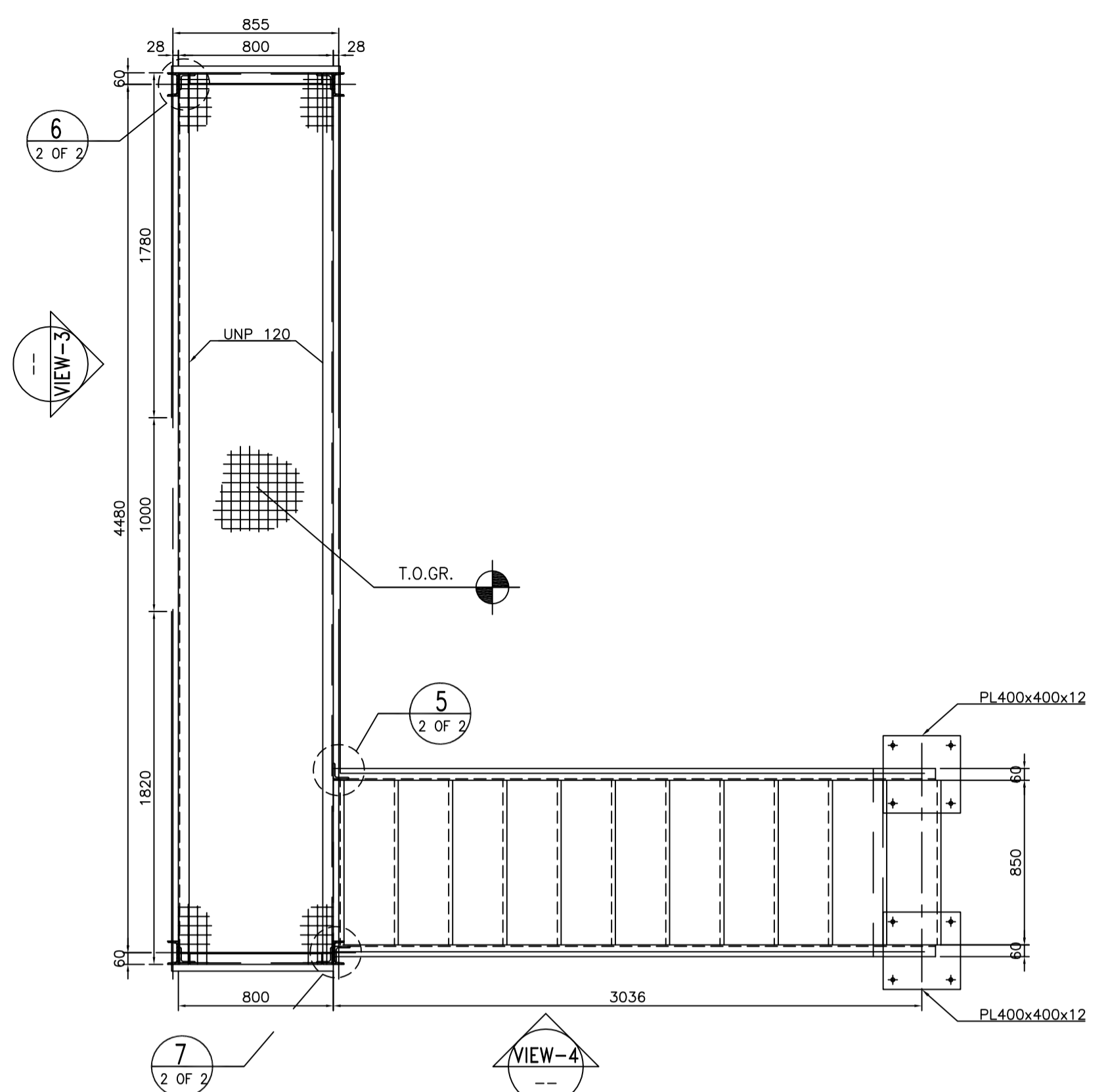
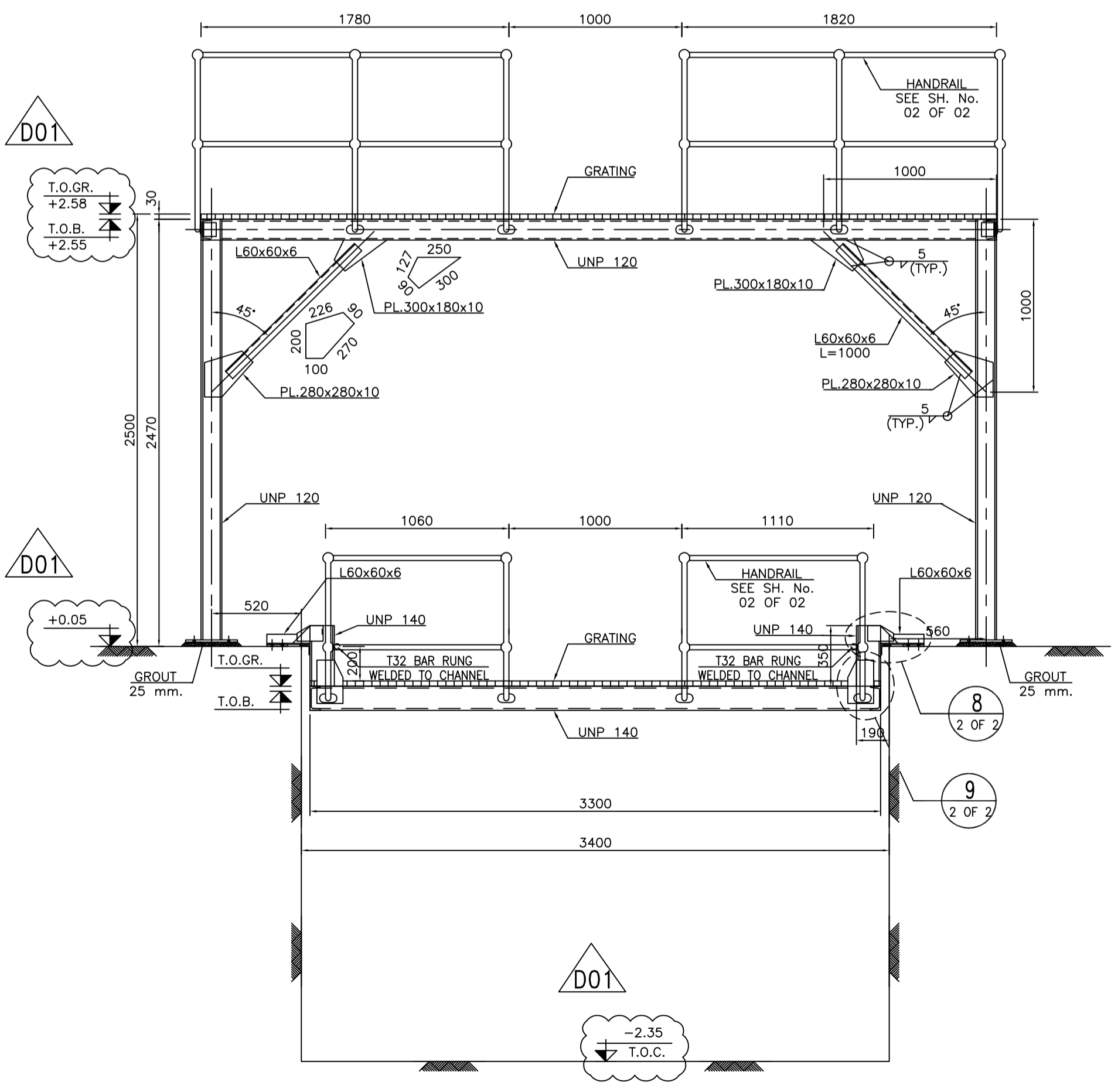


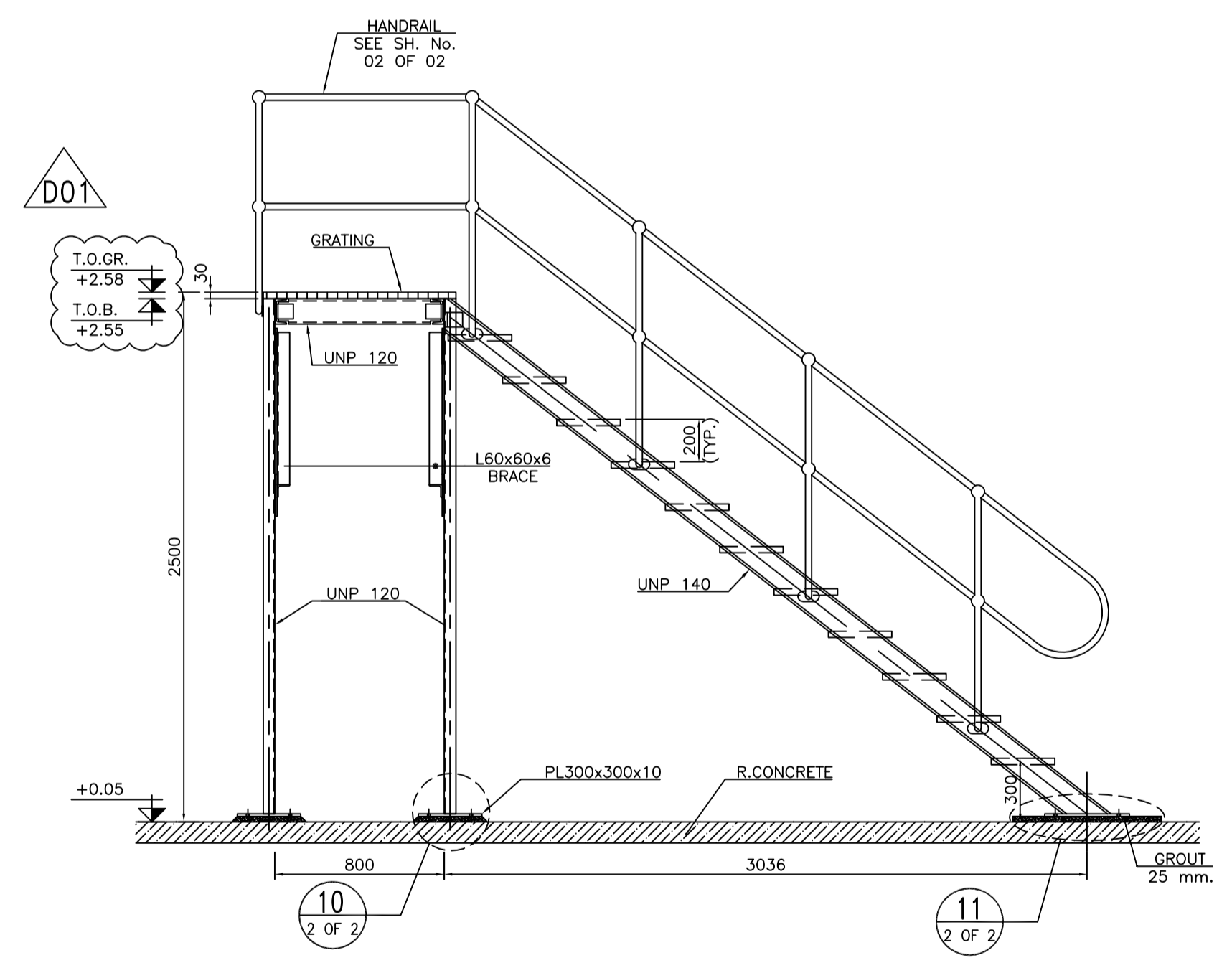
SC.1:25 1 PLAN OF PLATFORM AT EL. +99.600



SC.1:25 2 PLAN OF PLATFORM AT EL. +102.500



SC.1:25 3



SC.1:25 4

NOTES
 1) DIMENSIONS ARE IN "mm" AND ELEVATIONS IN "m" UNLESS SPECIFIED.
 2) ALL DIMENSIONS AND ELEVATIONS SHALL BE CHECKED BY THE CONTRACTOR PRIOR TO CONSTRUCTION.
 3) CONTRACTOR SHALL CHECK THE DRAWING WITH ALL ARCHITECTURAL, MECHANICAL, INSTRUMENT, PIPING & ELECTRICAL DRAWINGS BEFORE CONSTRUCTION AND ANY REQUIRED MODIFICATIONS SHALL BE CONSIDERED WITH PRIOR CLIENT APPROVAL.
 4) REFERENCE COORDINATES E=1000.000 , N=1000.000 REFER TO X=437126.261 , Y=3293090.751 UTM.

D01
 ±0.00 = +31.00(R.G.L.)MSL

LEGEND

REFERENCE DRAWING	DRG. No.
STANDARD DRAWING FOR ANCHOR BOLTS	BK-GNRL-PEDCO-00-ST-DW-0002
STANDARD DRAWING FOR STEEL STAIRS	BK-GNRL-PEDCO-00-ST-DW-0003
STANDARD DRAWING FOR OPERATING PLATFORM	BK-GNRL-PEDCO-00-ST-DW-0005
STANDARD DRAWING FOR HANDRAIL	BK-GNRL-PEDCO-00-ST-DW-0006
GENERAL NOTES - STEEL STRUCTURES	BK-GNRL-PEDCO-00-ST-DW-0011
GENERAL NOTES - REINFORCED CONCRETE STRUCTURES	BK-GNRL-PEDCO-00-ST-DW-0012
STANDARD DRAWING FOR STEEL FLOORING , GRATING & CHECKERED PLATE	BK-GNRL-PEDCO-00-ST-DW-0015
SPECIFICATION FOR PAINTING	BK-GNRL-PEDCO-00-PI-SP-0008

D01
KEY PLAN

REV.	DATE	P.O.I.S	PREP.	CHK.	APP.	AUT.	DESCRIPTION	BY	DATE	BY	DATE
D01	JAN 2023	IFA	R.BERLOUIE	M.FAKHARIAN	M.Mehrshad	***					
D00	JUN 2022	IPC	R.BERLOUIE	M.FAKHARIAN	M.Mehrshad	***					

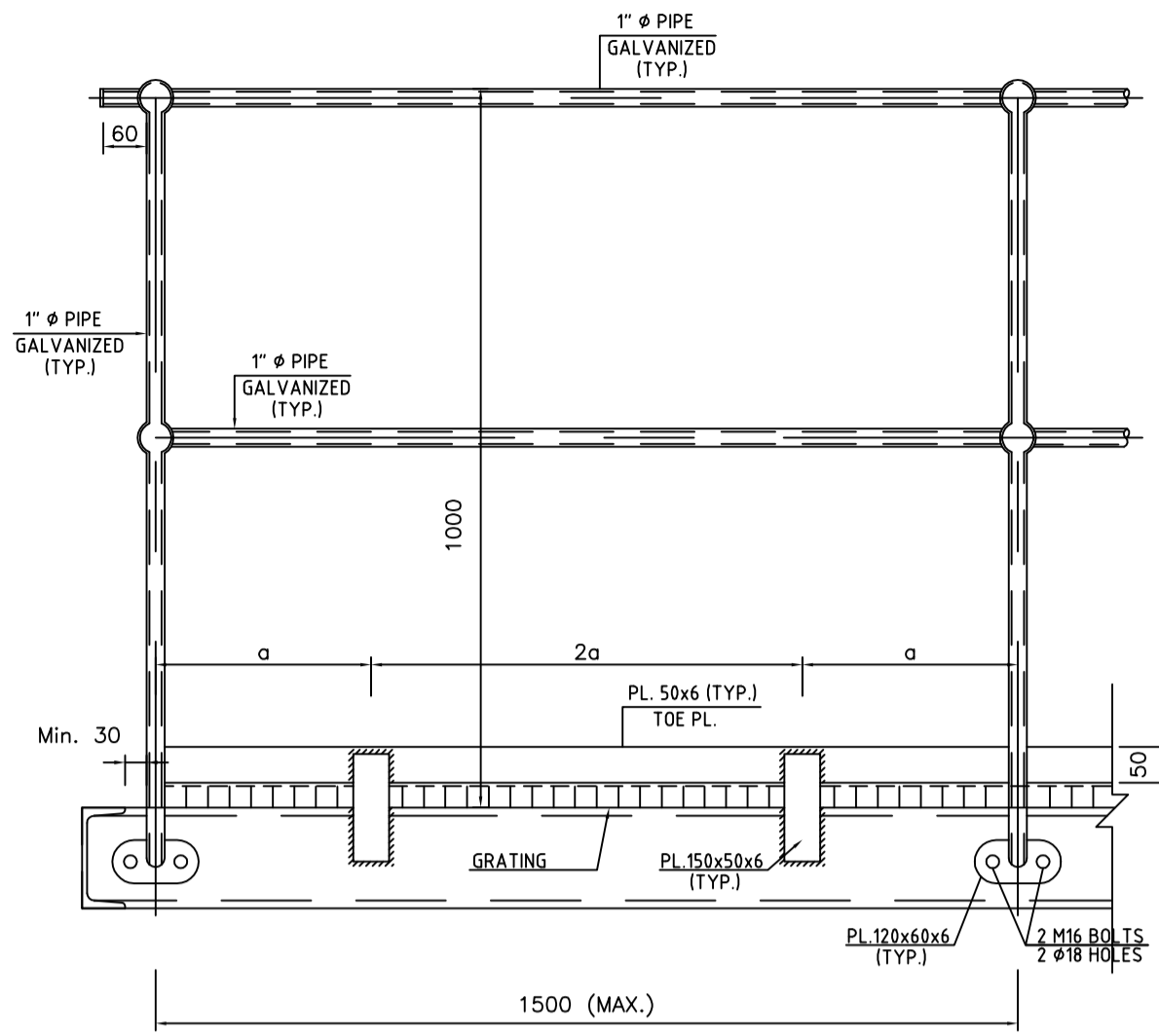
PROJECT NAME: BINAK OILFIELD DEVELOPMENT/SUB-SURFACE WORK PACKAGES W018S WELLHEAD FACILITIES
 PROJECT NO.: 971020
 EPC CONTRACTOR: HIRGAN ENERGY - DESIGN & INSPECTION COMPANIES
 EPD/EPC CONTRACTOR (GC): PETROIRAN DEVELOPMENT COMPANY

DRAWING TITLE: PLATFORM STRUCTURE DRAWING - W028

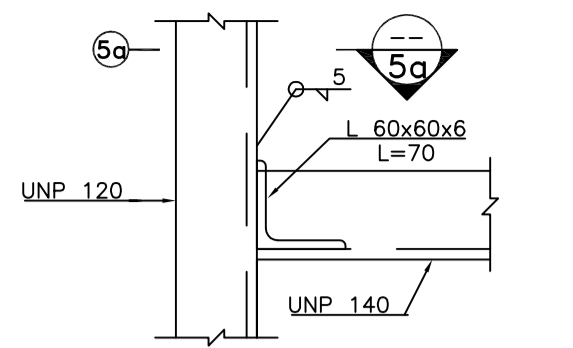
DATE	SCALE	DRAWING BY	CHECKED BY	PROJECT ENG.

NO CONSTRUCTION PERMITTED UNLESS DRAWING APPROVED

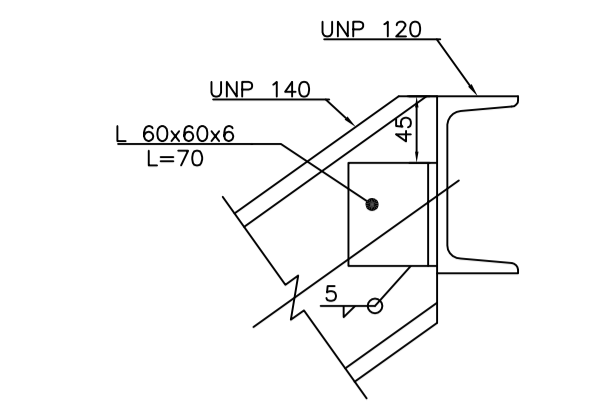
SCALE	SIZE	DRAWING NO.	SHEET NO.	REV.	BUDGET REF.	LOCATION	SIZE	CLASS	SERIAL NO.	SHEET	REVISION
N.T.S.	A1	BK-W028-PEDCO-110-ST-DW-0002	1 OF 2	D01	053-073-9184	F	4	M	707552	1 OF 2	D01



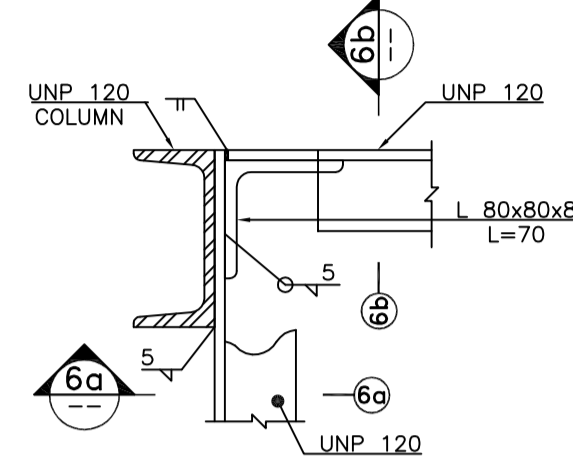
TYPICAL FIXED HANDRAIL
SC.1:10



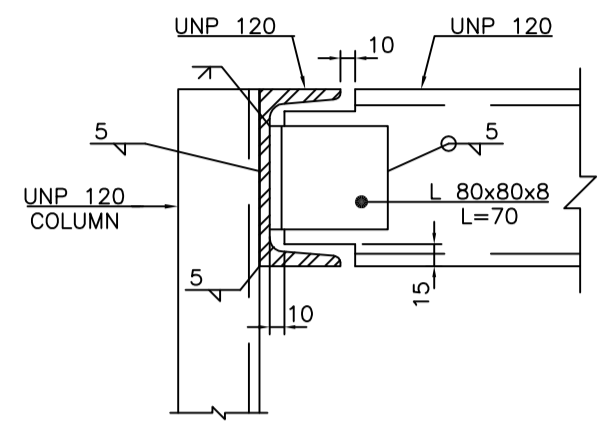
5
SC.1:5 1 OF 2



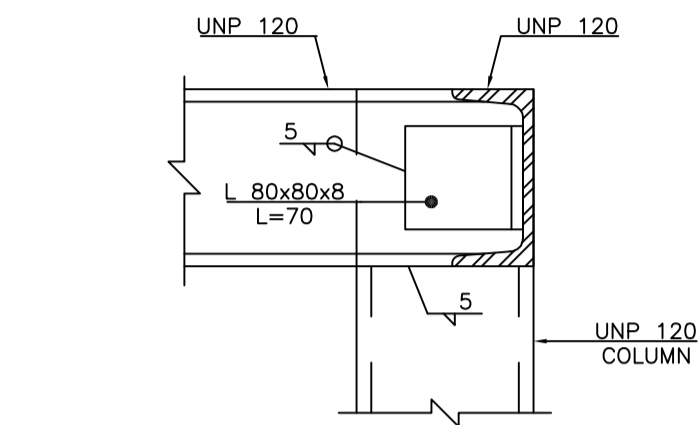
5a
SC.1:5



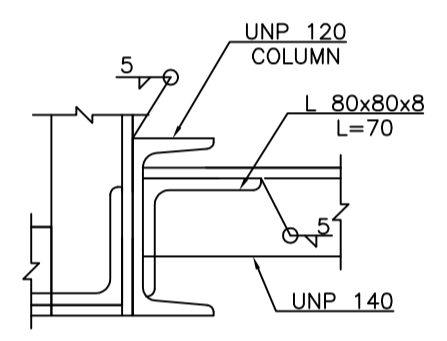
6
SC.1:5 1 OF 2



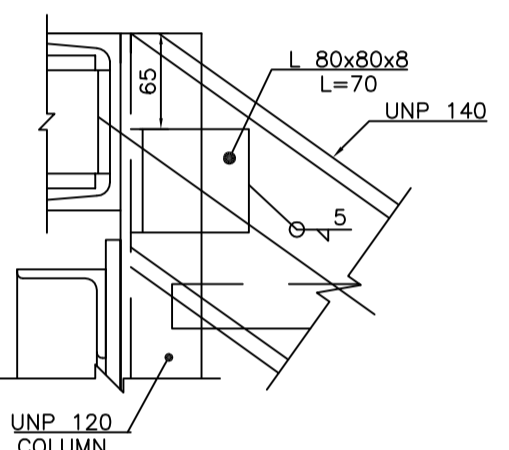
6a
SC.1:5



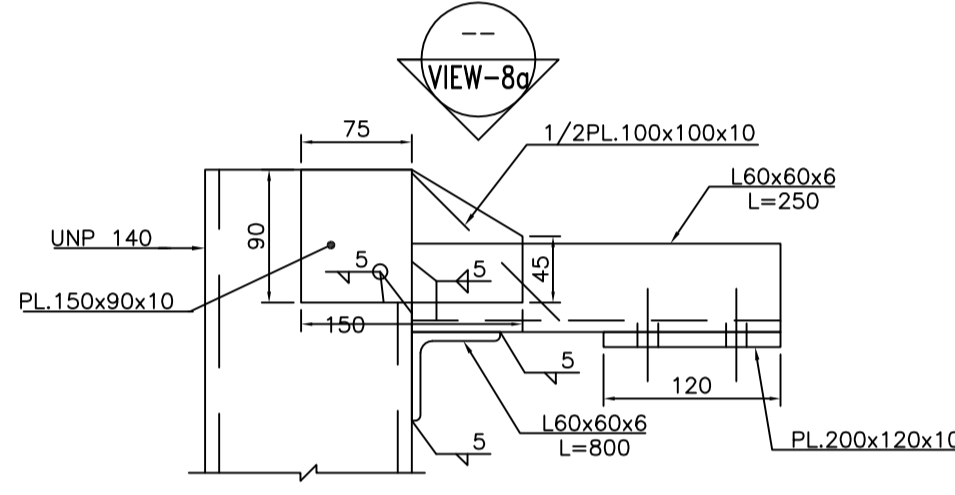
6b
SC.1:5



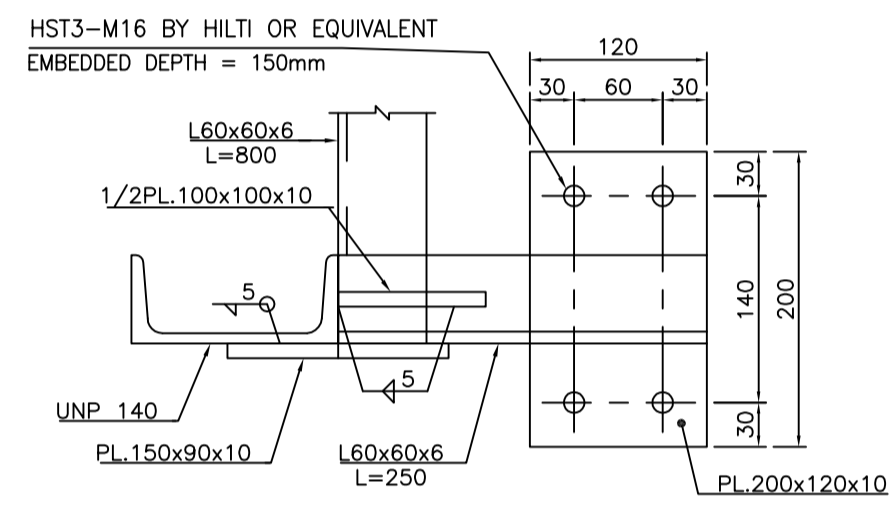
7
SC.1:5 1 OF 2



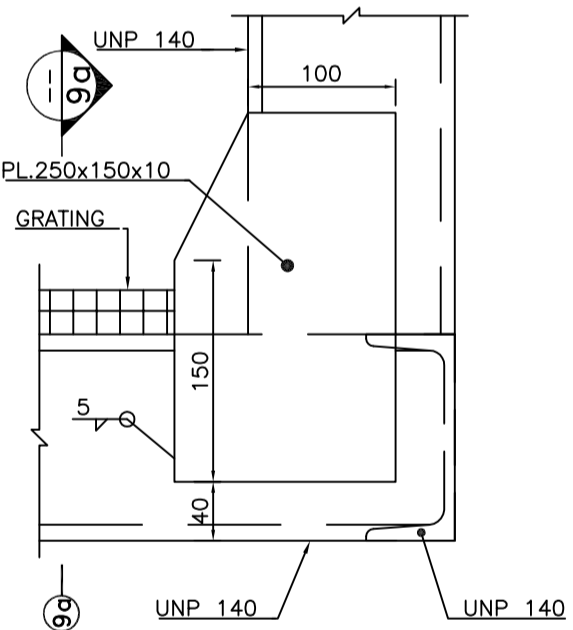
7a
SC.1:5



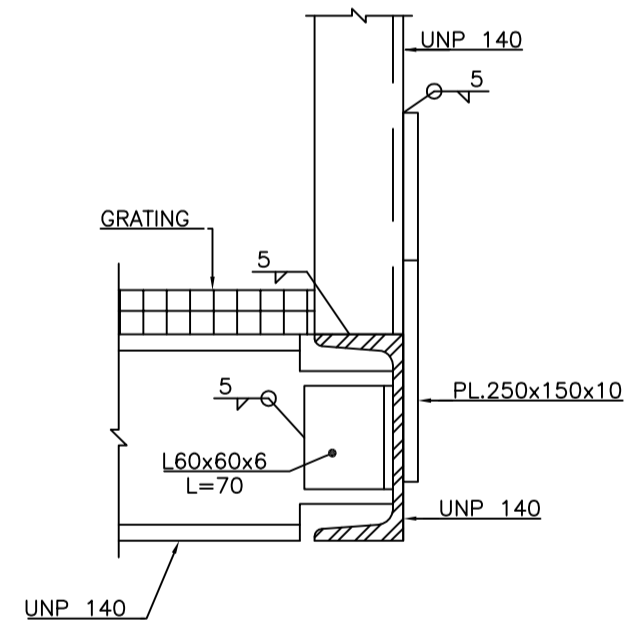
8
SC.1:5 1 OF 2



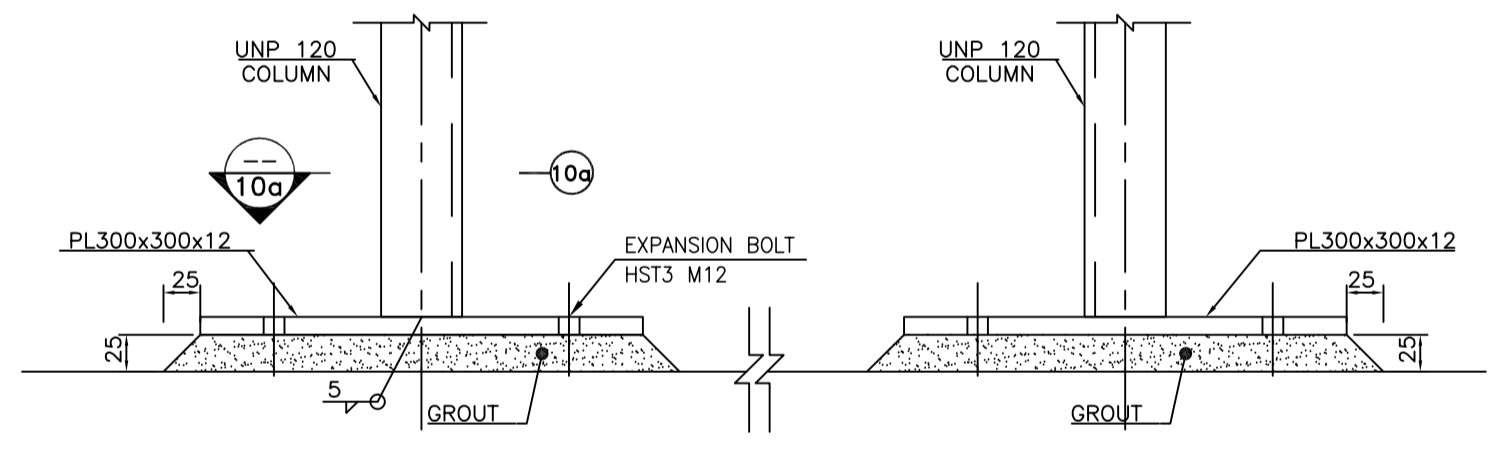
8a
SC.1:5



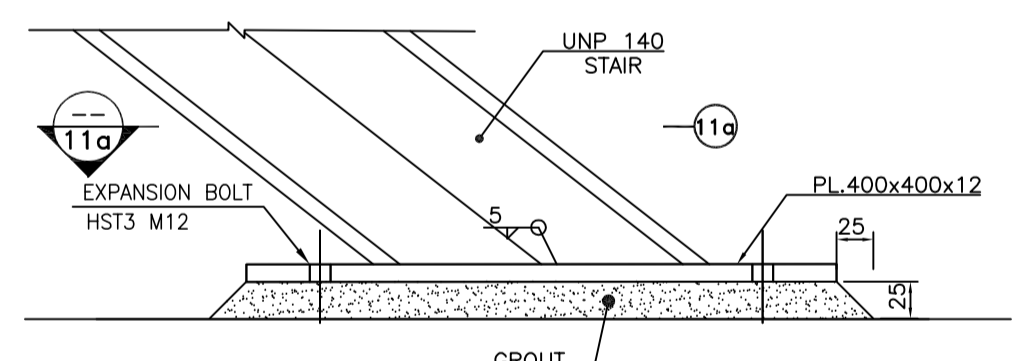
9
SC.1:5 1 OF 2



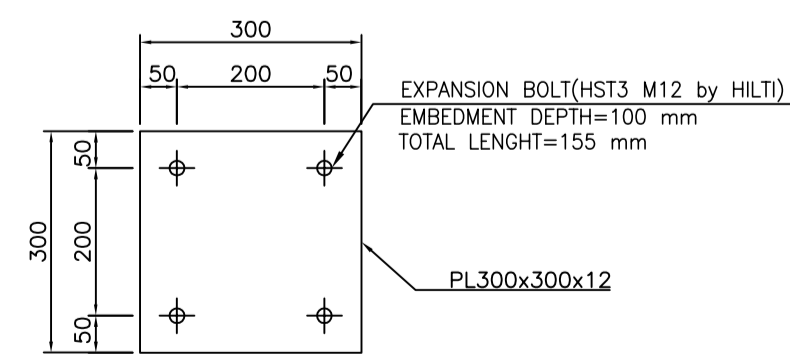
9a
SC.1:5



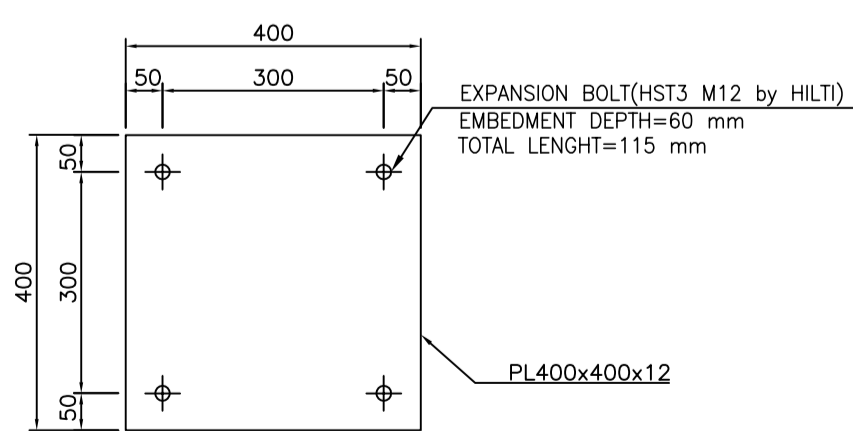
10
SC.1:5 1 OF 2



11
SC.1:5 1 OF 2



10a
SC.1:10



11a
SC.1:10

- NOTES
- 1) DIMENSIONS ARE IN "mm" AND ELEVATIONS IN "m" UNLESS SPECIFIED.
 - 2) ALL DIMENSIONS AND ELEVATIONS SHALL BE CHECKED BY THE CONTRACTOR PRIOR TO CONSTRUCTION.
 - 3) CONTRACTOR SHALL CHECK THE DRAWING WITH ALL ARCHITECTURAL, MECHANICAL, INSTRUMENT, PIPING & ELECTRICAL DRAWINGS BEFORE CONSTRUCTION AND ANY REQUIRED MODIFICATIONS SHALL BE CONSIDERED WITH PRIOR CLIENT APPROVAL.
 - 4) REFERENCE COORDINATES E=1000.000 , N=1000.000 REFER TO X=437126.261 , Y=3293090.751 UTM.

LEGEND

REFERENCE DRAWING	DRG. No.
STANDARD DRAWING FOR ANCHOR BOLTS	BK-GNRL-PEDCO-00-ST-DW-0002
STANDARD DRAWING FOR STEEL STAIRS	BK-GNRL-PEDCO-00-ST-DW-0003
STANDARD DRAWING FOR OPERATING PLATFORM	BK-GNRL-PEDCO-00-ST-DW-0005
STANDARD DRAWING FOR HANDRAIL	BK-GNRL-PEDCO-00-ST-DW-0006
GENERAL NOTES - STEEL STRUCTURES	BK-GNRL-PEDCO-00-ST-DW-0011
GENERAL NOTES - REINFORCED CONCRETE STRUCTURES	BK-GNRL-PEDCO-00-ST-DW-0012
STANDARD DRAWING FOR STEEL FLOORING , GRATING & CHEQUERED PLATE	BK-GNRL-PEDCO-00-ST-DW-0015
SPECIFICATION FOR PAINTING	BK-GNRL-PEDCO-00-PI-SP-0008

KEY PLAN

REV.	DATE	P.O.I.S	PREP.	CHK.	APP.	AUT.	DESCRIPTION	BY	DATE	BY	DATE
D01	JAN 2023	IFA	R.BERLOUIE	M.FAKHARIAN	M.Mehrshad	**					
D00	JUN 2022	IPC	R.BERLOUIE	M.FAKHARIAN	M.Mehrshad	**					

PROJECT NAME: BINAK OILFIELD DEVELOPMENT/SUB-SURFACE WORK PACKAGES W018S WELLHEAD FACILITIES

PROJECT NO.: 971020

EPC CONTRACTOR: HIRGAN ENERGY - DESIGN & INSPECTION COMPANIES

EPD/EPC CONTRACTOR (GC): PETROIRAN DEVELOPMENT COMPANY

DRAWING TITLE: PLATFORM STRUCTURE DRAWING - W028

DATE	SCALE	DRAWING BY	CHECKED BY	PROJECT ENG.

NO CONSTRUCTION PERMITTED UNLESS DRAWING APPROVED

SCALE	SIZE	DRAWING NO.	SHEET NO.	REV.	BUDGET REF.	LOCATION	SIZE	CLASS	SERIAL NO.	SHEET	REVISION
N.T.S.	A1	BK-W028-PEDCO-110-ST-DW-0002	2 OF 2	D01	053-073-9184	F	4	M	707552	2 OF 2	D01