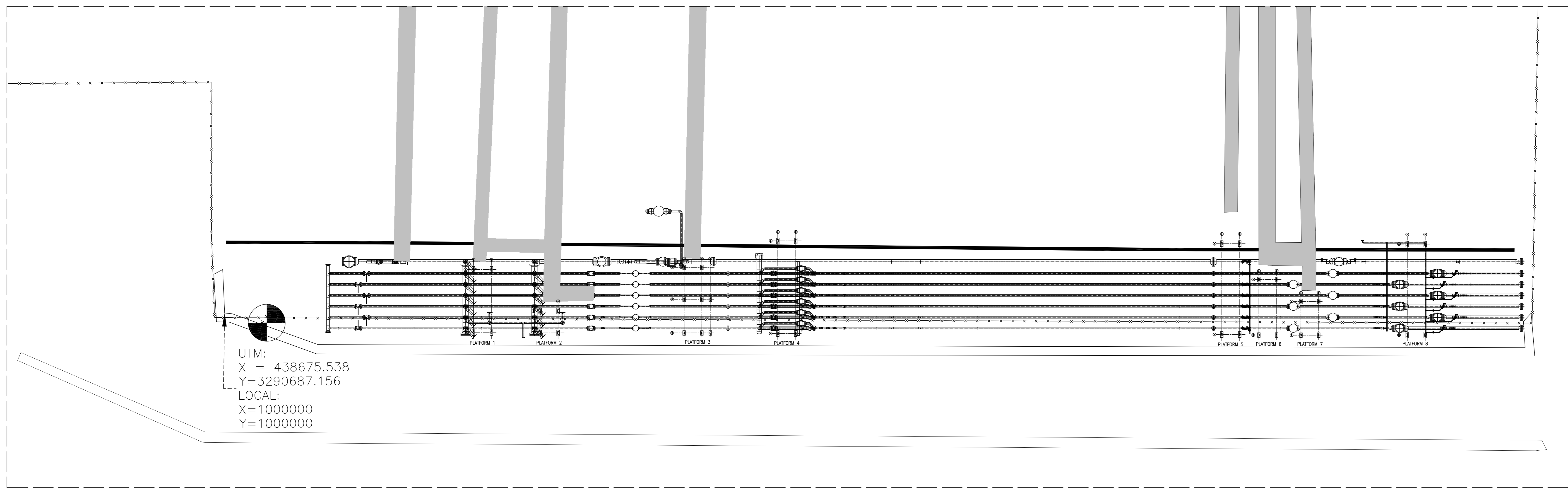


1:100 1 EXISTING PLATFORMS LAYOUT



1:100 2 NEW PLATFORMS LAYOUT

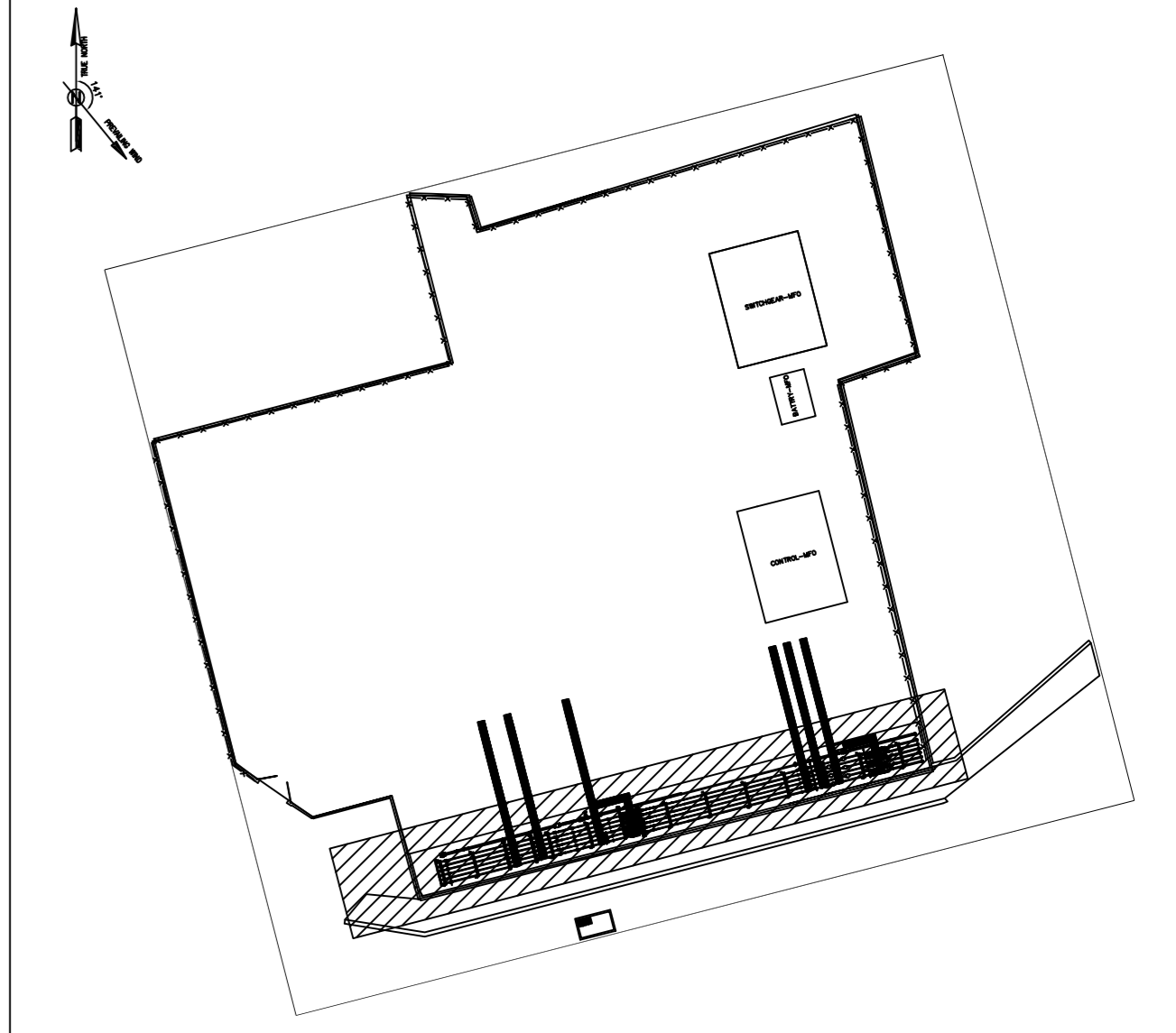
- NOTES**
- 1) DIMENSIONS ARE IN "mm" AND ELEVATIONS IN "m" UNLESS SPECIFIED.
 - 2) ALL DIMENSIONS AND ELEVATIONS SHALL BE CHECKED BY THE CONTRACTOR PRIOR TO CONSTRUCTION.
 - 3) CONTRACTOR SHALL CHECK THE DRAWING WITH ALL ARCHITECTURAL, MECHANICAL, INSTRUMENT, PIPING & ELECTRICAL DRAWINGS BEFORE CONSTRUCTION AND ANY REQUIRED MODIFICATIONS SHALL BE CONSIDERED WITH PRIOR CLIENT APPROVAL.
 - 4) ANCHOR BOLTS, NUTS, WASHERS, OTHER THREADED FASTENERS & ALL STEEL STAIR MEMBERS SHALL BE HOT DIP GALVANIZED ACCORDANCE WITH ISIRI 19289 & STEEL PLATES SHALL BE HOT DIP GALVANIZED WITH ISIRI 16353.
 - 5) STEEL MATERIALS SHALL BE CONSIDERED FOR: PROFILES, PLATES AND GRATING AS ISIRI 14262-2,(S235JR)
 - 6) THE LOCATION AND GEOMETRY OF PLATFORM SHALL BE CHECKED AND ADJUSTED AT SITE.
 - 7) SHOULD BE USED THE EMULSION ON CONCRETE EXPOSED WITH SOIL.

H.P.P. LEVEL : ±0.00 =+55.00

LEGEND

REFERENCE DRAWING	DRG. No.
GENERAL NOTES - STEEL STRUCTURES	BK-GNRAI-PEDCO-00-ST-DW-0011
SPECIFICATION FOR ERECTION OF STEEL STRUCTURES	BK-GNRAI-PEDCO-000-ST-SP-0005
SPECIFICATION FOR FABRICATION OF STEEL STRUCTURES	BK-GNRAI-PEDCO-000-ST-SP-0003
STANDARD DRAWING FOR OPERATING PLATFORM	BK-GNRAI-PEDCO-000-ST-DW-0005
GENERAL NOTES-REINFORCEMENT CONCRETE STRUCTURES	BK-GNRAI-PEDCO-000-ST-DW-0012
STANDARD DRAWING FOR ANCHOR BOLT	BK-GNRAI-PEDCO-000-ST-DW-0002

KEY PLAN



REV.	DATE	P.O.I.S	PREP.	CHK.	APP.	AUT.	DESCRIPTION	BY	DATE	BY	DATE
D01	FEB.2023	IFA	R.BERLOUVE	M.FAKHARIAN	M.Mehrshad	***					
D00	OCT.2022	IPC	R.BERLOUVE	M.FAKHARIAN	M.Mehrshad	***					

PROJECT NAME: BINAK OILFIELD DEVELOPMENT/SUB-SURFACE WORK PACKAGES W007S WHF & EXTENSION OF BINAK B/C

PROJECT NO.: 971020

EPC CONTRACTOR: HIRGAN ENERGY - DESIGN & INSPECTION COMPANIES

EPD/EPC CONTRACTOR (GC): PETROIRAN DEVELOPMENT COMPANY

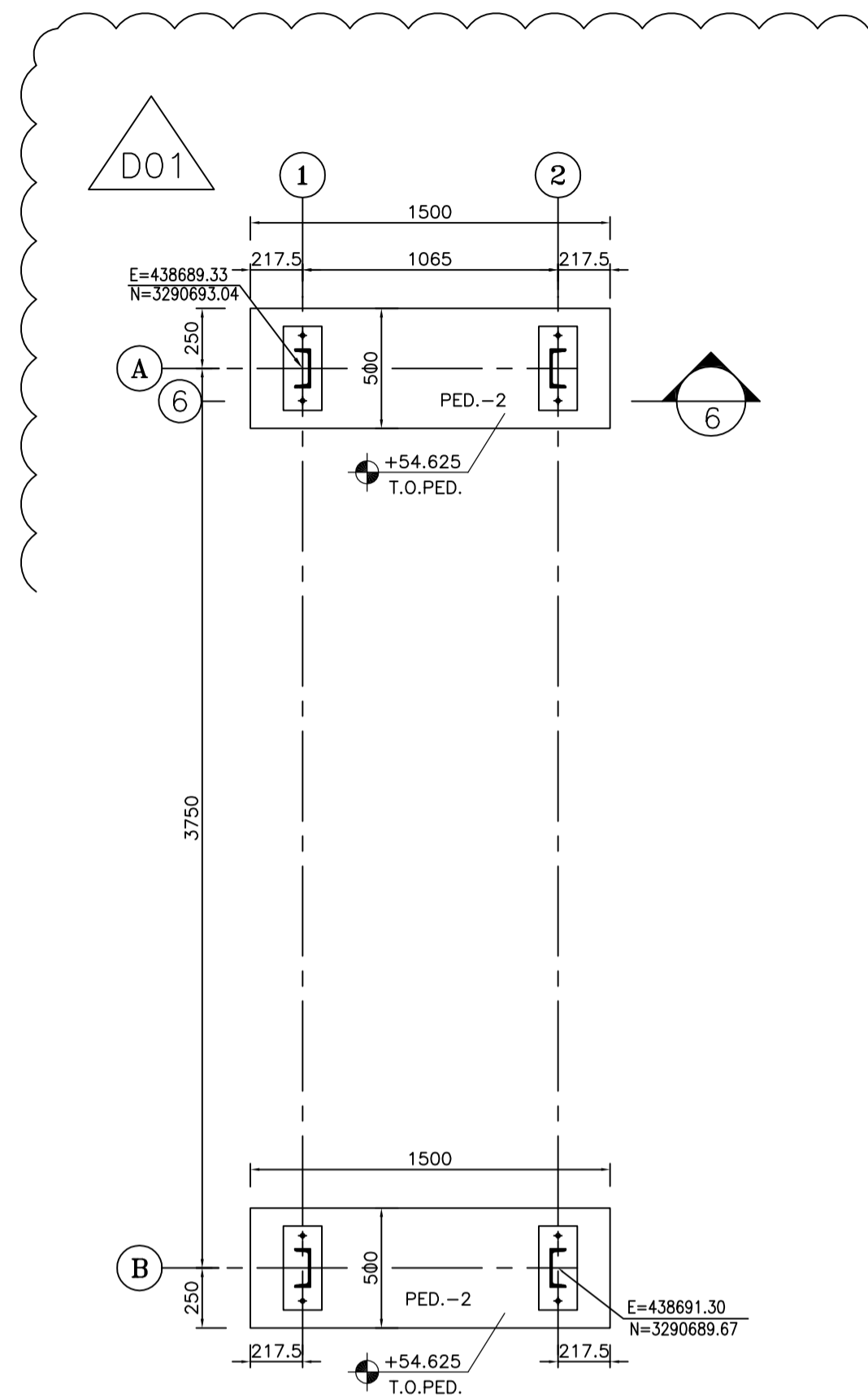
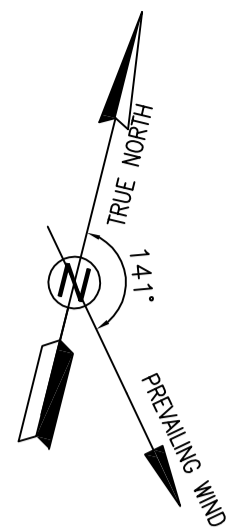
DRAWING TITLE: ACCESS PLATFORMS FOUNDATION DRAWING FOR EXTENSION OF BINAK B/C MANIFOLD

SCALE	SIZE	DRAWING NO.	SHEET NO.	REV.	BUDGET REF.	LOCATION	SIZE	CLASS	SERIAL NO.	SHEET	REVISION
N.T.S.	A0	BK-W007S-PEDCO-110-ST-DW-0004	1 OF 3	D01	053-073-9184	F	4	Q	708056	1 OF 3	D01

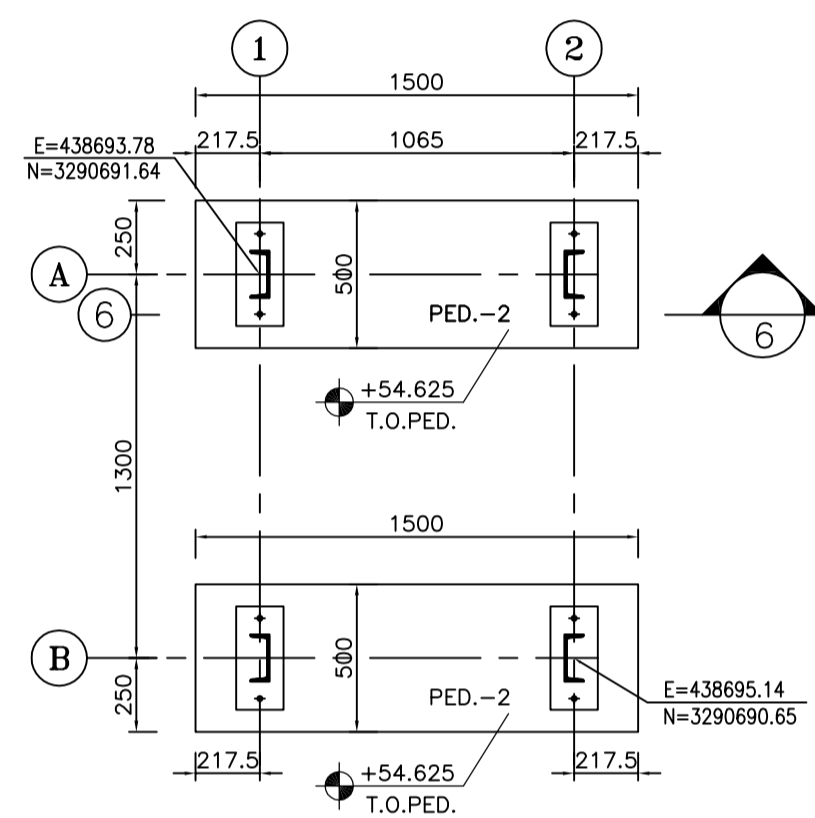
NO CONSTRUCTION PERMITTED UNLESS DRAWING APPROVED

APPROVED FOR CONSTRUCTION BY: DATE:

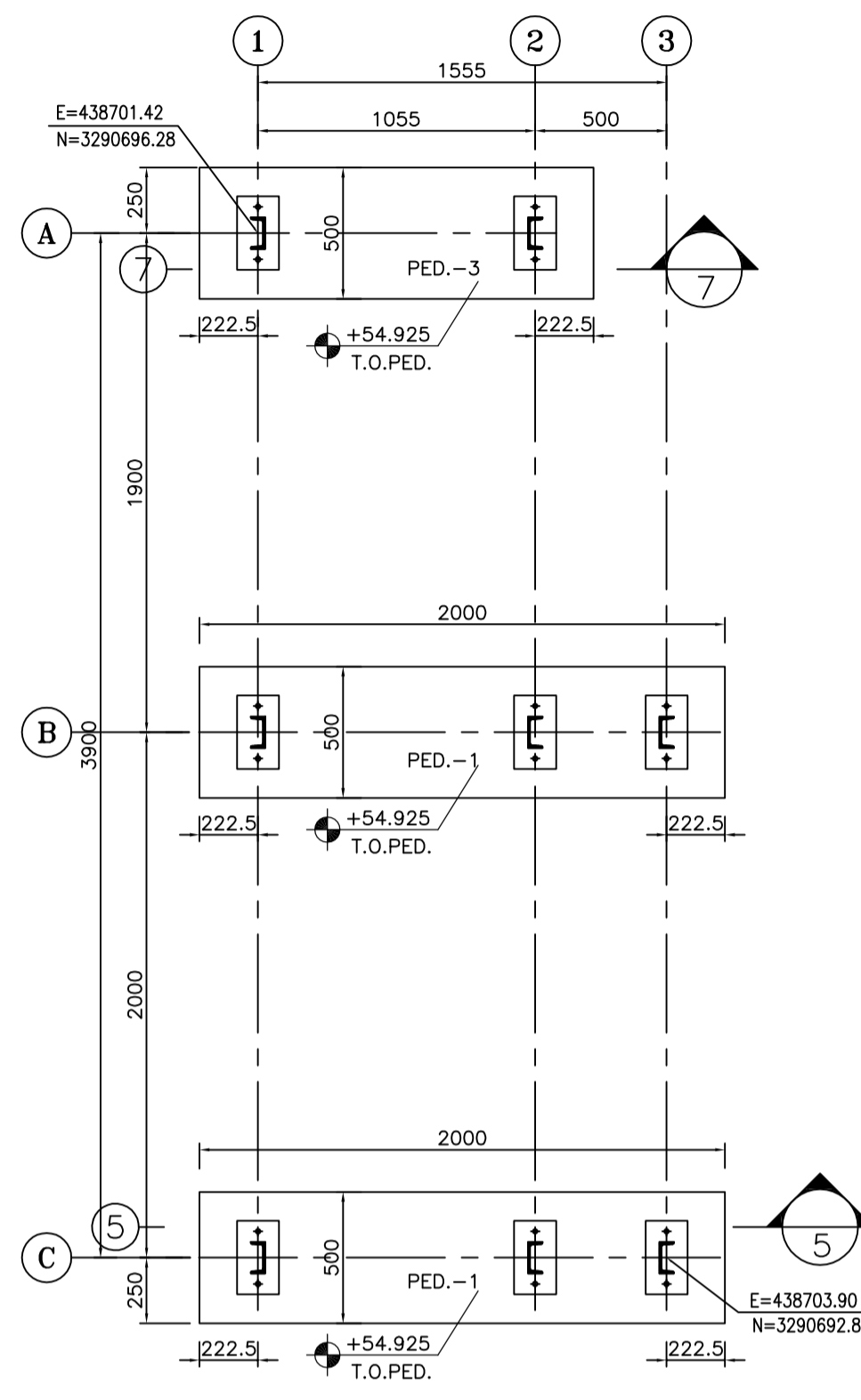
D01



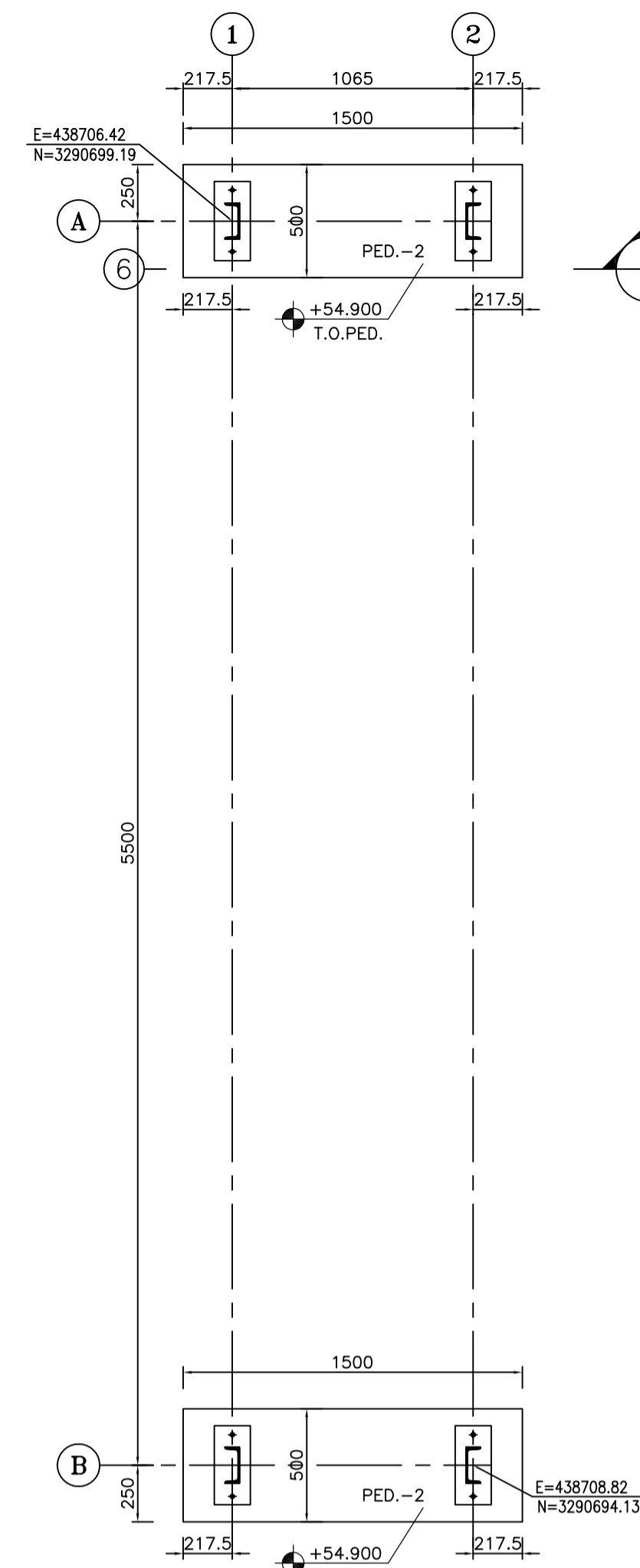
1:25 FOUNDATION FORMWORK PLAN NO.=1 PLATFORM TYPE 1



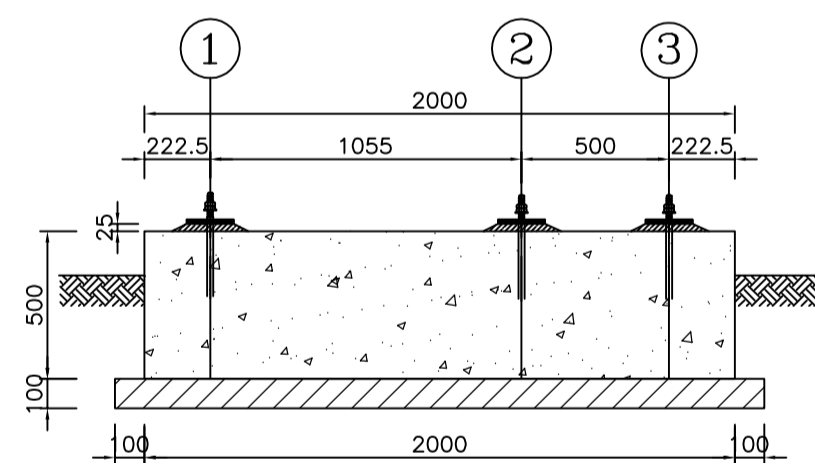
1:25 FOUNDATION FORMWORK PLAN NO.=1 PLATFORM TYPE 2



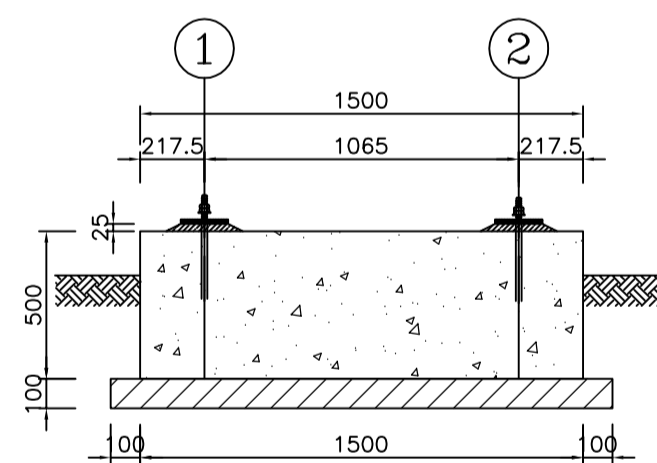
1:25 FOUNDATION FORMWORK PLAN NO.=1 PLATFORM TYPE 3



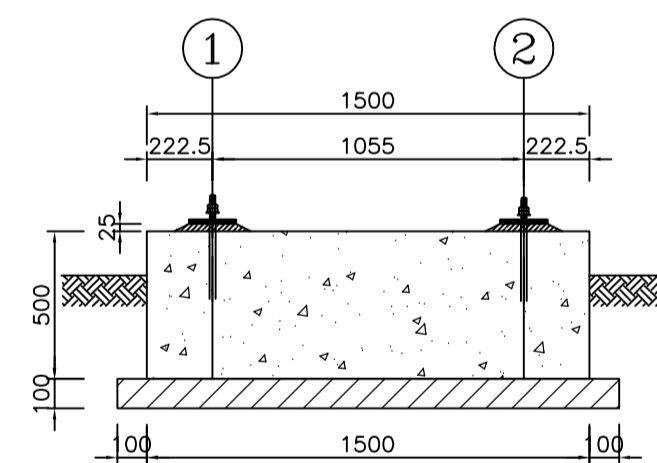
1:25 FOUNDATION FORMWORK PLAN NO.=1 PLATFORM TYPE 4



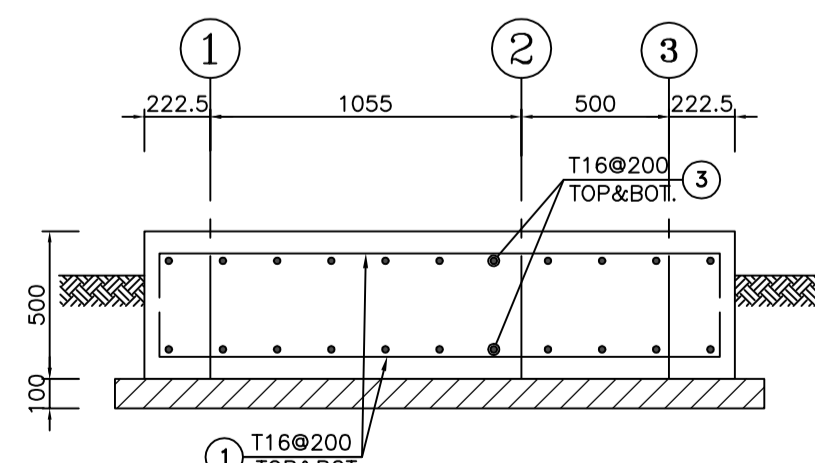
1:25 TYP. SECTION OF PD.1 FORMWORK



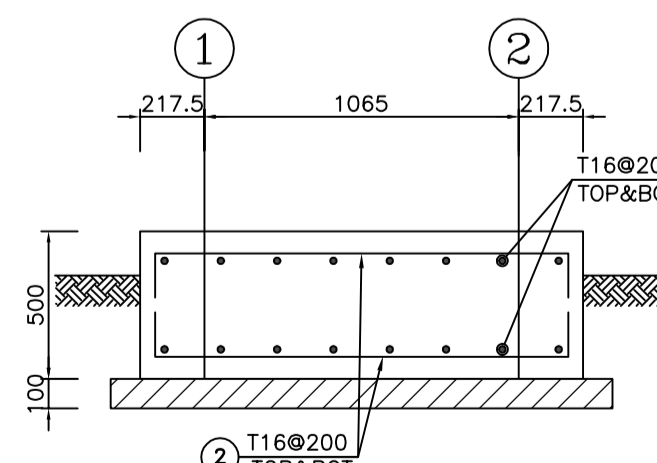
1:25 TYP. SECTION OF PD.2 FORMWORK



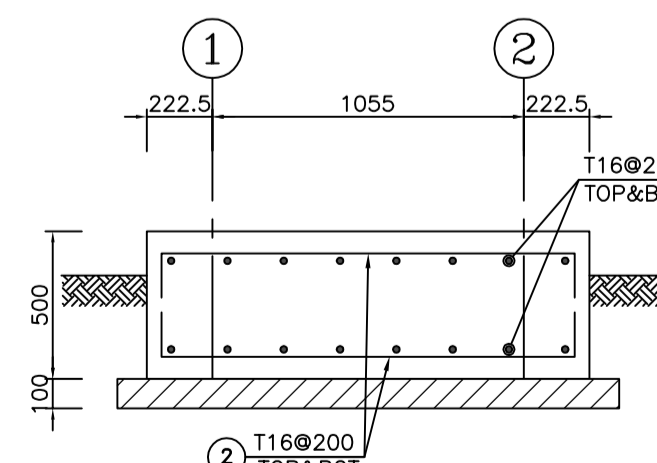
1:25 TYP. SECTION OF PD.3 FORMWORK



1:25 TYP. SECTION OF PD.1 REINFORCEMENT



1:25 TYP. SECTION OF PD.2 REINFORCEMENT



1:25 TYP. SECTION OF PD.2 REINFORCEMENT

D01

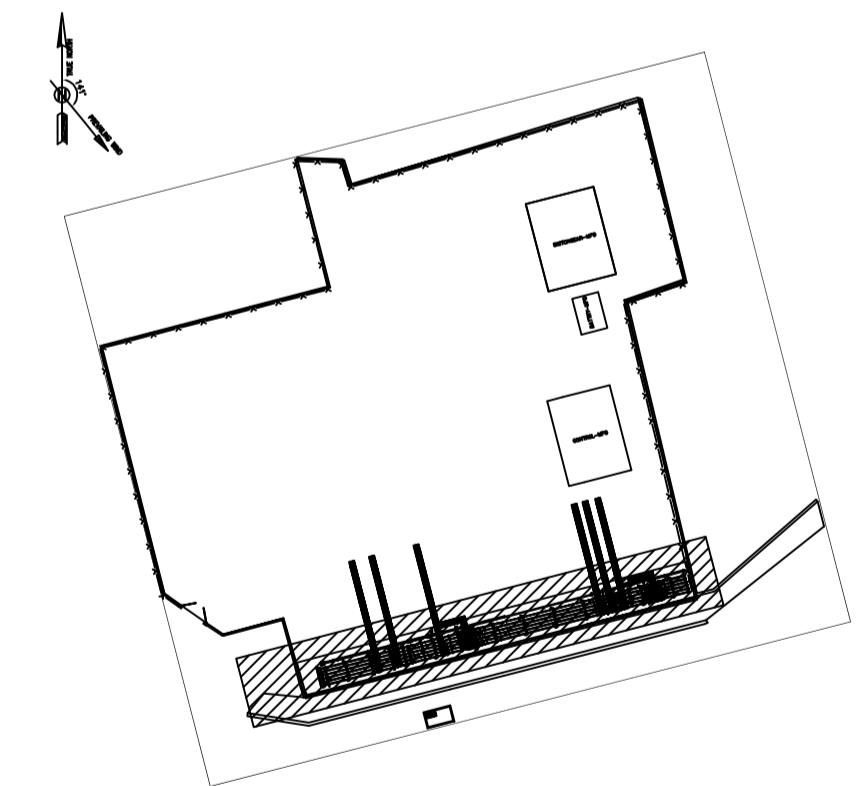
- NOTES
- 1) DIMENSIONS ARE IN "mm" AND ELEVATIONS IN "m" UNLESS SPECIFIED.
 - 2) ALL DIMENSIONS AND ELEVATIONS SHALL BE CHECKED BY THE CONTRACTOR PRIOR TO CONSTRUCTION.
 - 3) CONTRACTOR SHALL CHECK THE DRAWING WITH ALL ARCHITECTURAL, MECHANICAL, INSTRUMENT, PIPING & ELECTRICAL DRAWINGS BEFORE CONSTRUCTION AND ANY REQUIRED MODIFICATIONS SHALL BE CONSIDERED WITH PRIOR CLIENT APPROVAL.
 - 4) ANCHOR BOLTS, NUTS, WASHERS, OTHER THREADED FASTENERS & ALL STEEL STAIR MEMBERS SHALL BE HOT DIP GALVANIZED ACCORDANCE WITH ISIRI 19289 & STEEL PLATES SHALL BE HOT DIP GALVANIZED WITH ISIRI 16353.
 - 5) STEEL MATERIALS SHALL BE CONSIDERED FOR: PROFILES, PLATES AND GRATING AS ISIRI 14262-2,(S235JR)
 - 6) THE LOCATION AND GEOMETRY OF PLATFORM SHALL BE CHECKED AND ADJUSTED AT SITE.
 - 7) SHOULD BE USED THE EMULSION ON CONCRETE EXPOSED WITH SOIL.

H.P.P. LEVEL : ±0.00 =+55.00

LEGEND

REFERENCE DRAWING	DRG. No.
GENERAL NOTES - STEEL STRUCTURES	BK-GNRL-PEDCO-00-ST-DW-0011
SPECIFICATION FOR ERECTION OF STEEL STRUCTURES	BK-GNRL-PEDCO-000-ST-SP-0005
SPECIFICATION FOR FABRICATION OF STEEL STRUCTURES	BK-GNRL-PEDCO-000-ST-SP-0003
STANDARD DRAWING FOR OPERATING PLATFORM	BK-GNRL-PEDCO-000-ST-DW-0005
GENERAL NOTES-REINFORCEMENT CONCRETE STRUCTURES	BK-GNRL-PEDCO-000-ST-DW-0012
STANDARD DRAWING FOR ANCHOR BOLT	BK-GNRL-PEDCO-000-ST-DW-0002

KEY PLAN



REV.	DATE	P.O.I.S	PREP.	CHK.	APP.	AUT.	DESCRIPTION	BY	DATE	BY	DATE
D01	FEB.2023	IFA	R.BERLOUJE	M.FAKHARJAN	M.Mehrshad	***					
D00	OCT.2022	IPC	R.BERLOUJE	M.FAKHARJAN	M.Mehrshad	***					

PROJECT NAME: BINAK OILFIELD DEVELOPMENT/SUB-SURFACE WORK PACKAGES W007S WHF & EXTENSION OF BINAK B/C

PROJECT NO.: 971020

EPC CONTRACTOR: HIRGAN ENERGY - DESIGN & INSPECTION COMPANIES

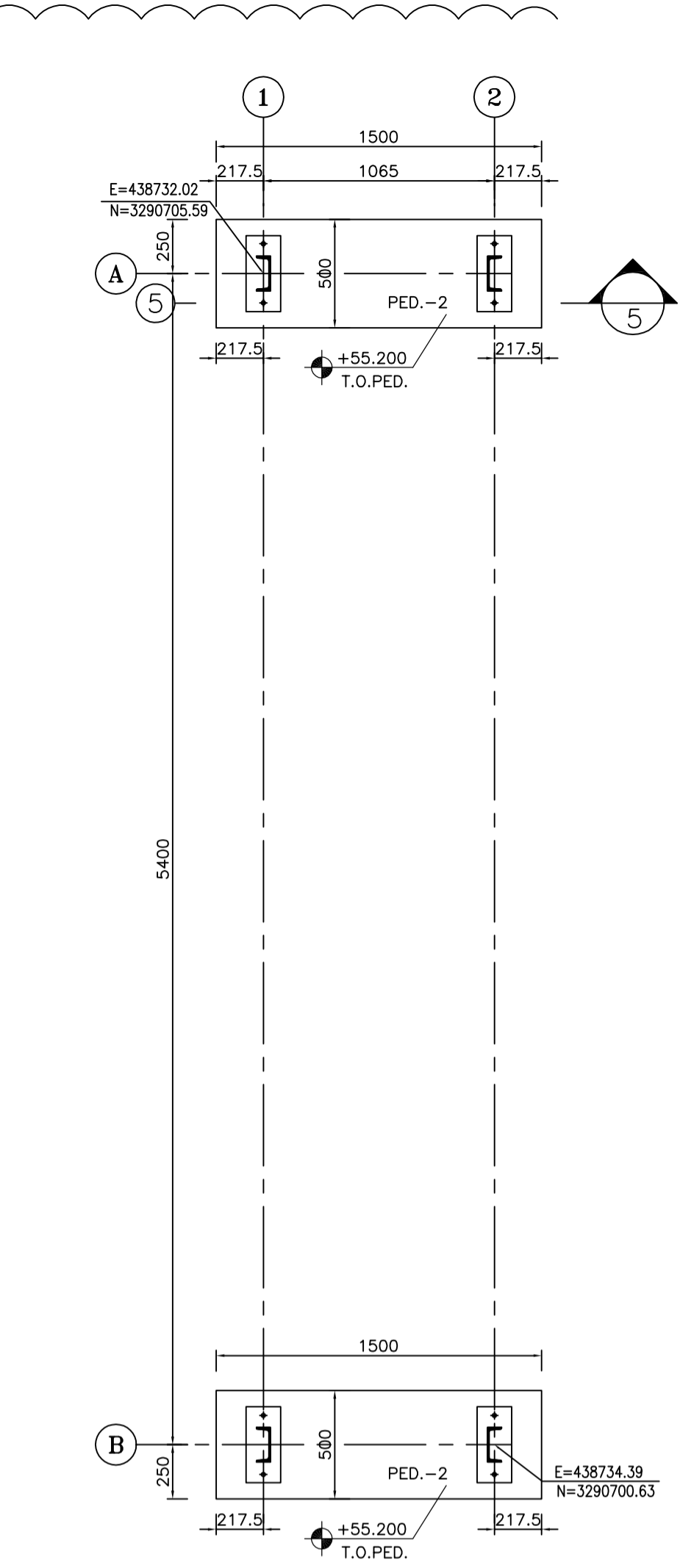
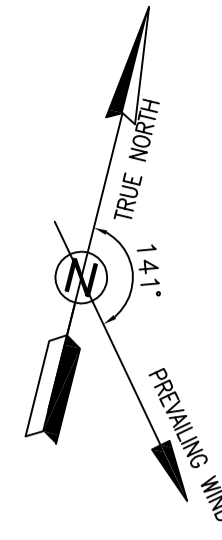
EPD/EPC CONTRACTOR (GC): PETROIRAN DEVELOPMENT COMPANY

DRAWING TITLE: ACCESS PLATFORMS FOUNDATION DRAWING FOR EXTENSION OF BINAK B/C MANIFOLD

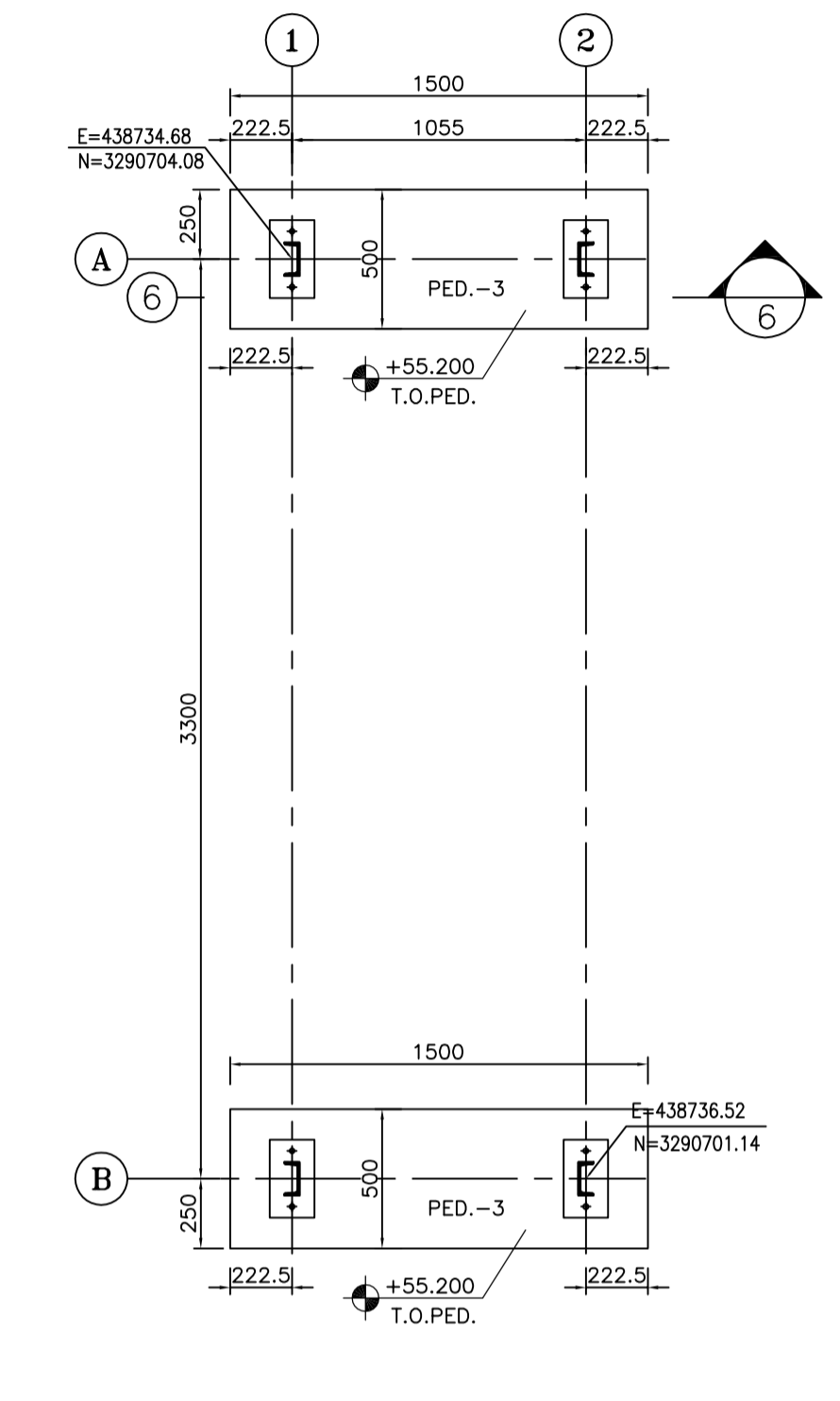
SCALE	SIZE	DRAWING NO.	SHEET NO.	REV.	BUDGET REF.	LOCATION	SIZE	CLASS	SERIAL NO.	SHEET	REVISION
N.T.S.	A1	BK-W007S-PEDCO-110-ST-DW-0004	2 OF 3	D01	053-073-9184	F	4	Q	708056	2 OF 3	D01

NO CONSTRUCTION PERMITTED UNLESS DRAWING APPROVED

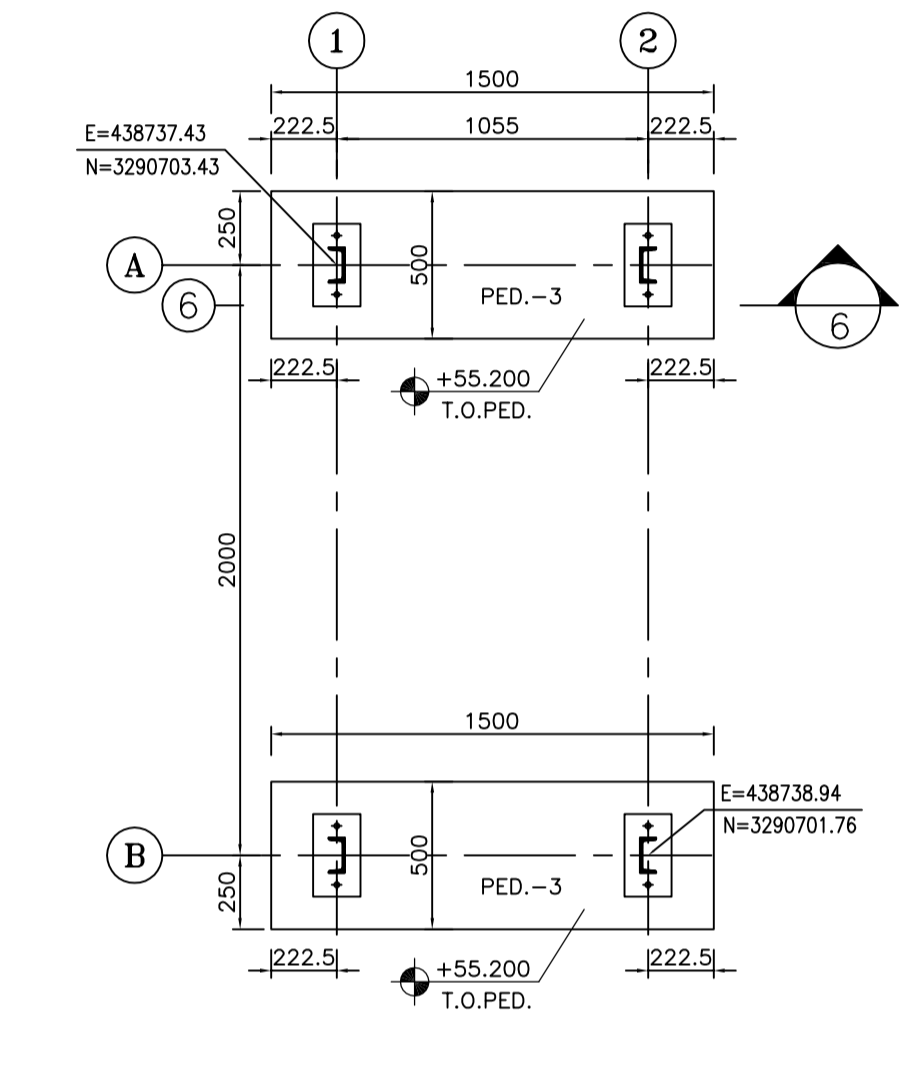
APPROVED FOR CONSTRUCTION BY: DATE:



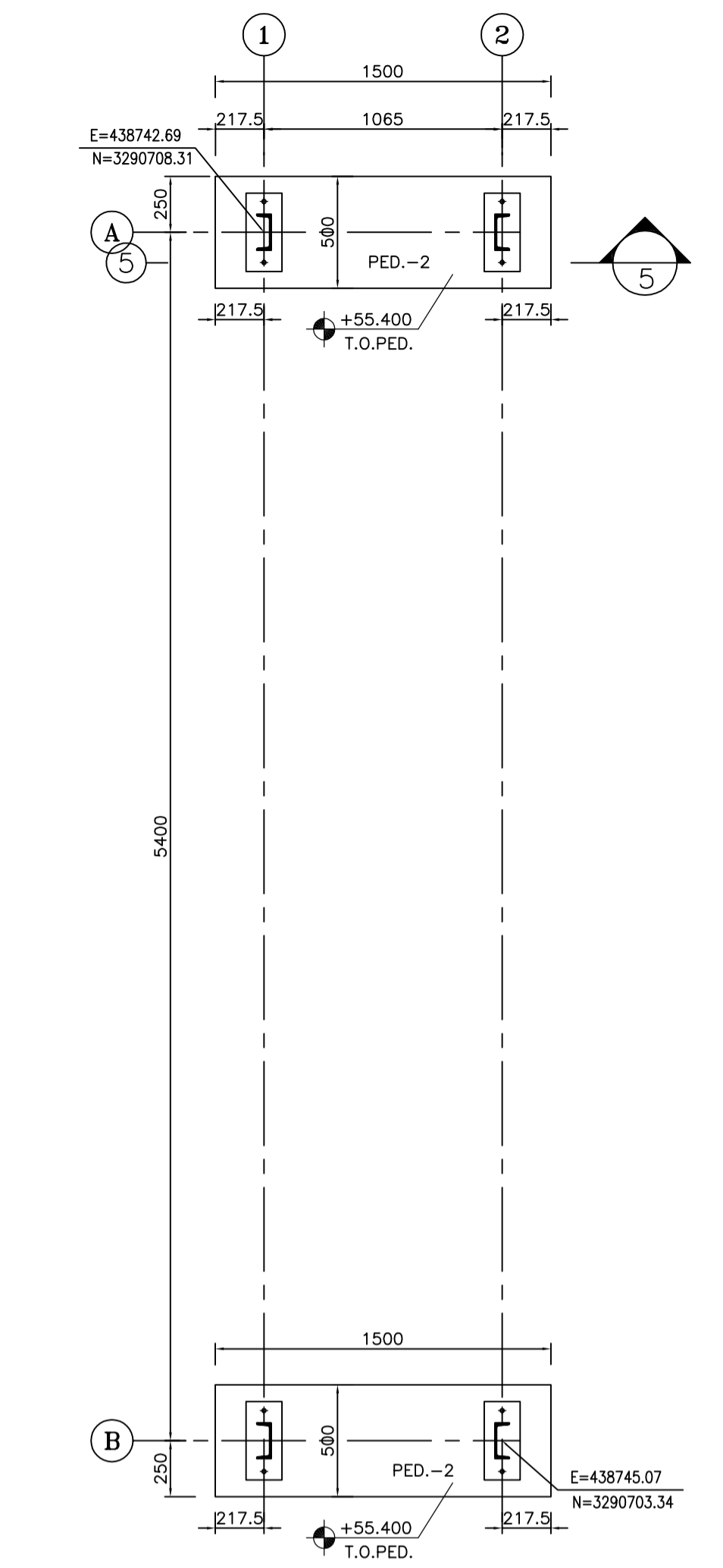
FOUNDATION FORMWORK PLAN
NO.=1
PLATFORM TYPE 5
1:25



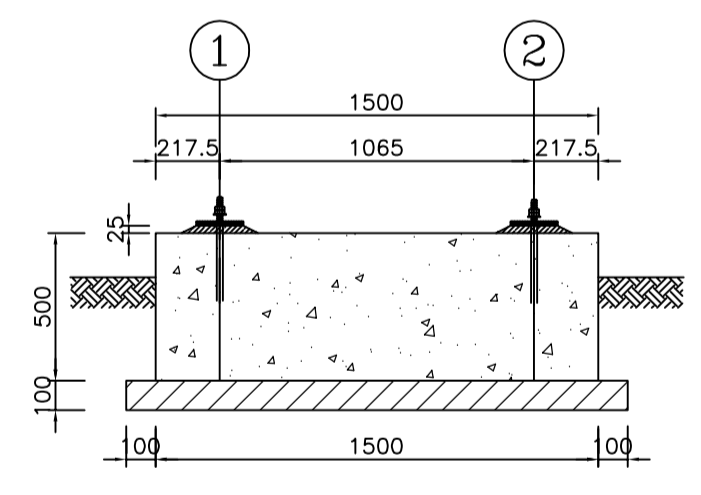
FOUNDATION FORMWORK PLAN
NO.=1
PLATFORM TYPE 6
1:25



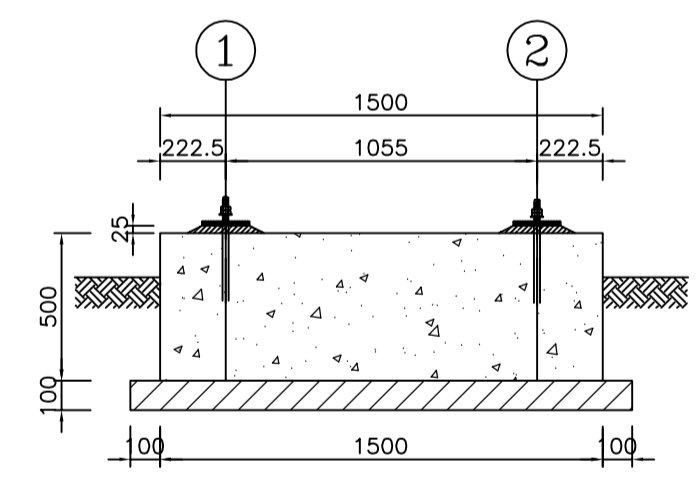
FOUNDATION FORMWORK PLAN
NO.=1
PLATFORM TYPE 7
1:25



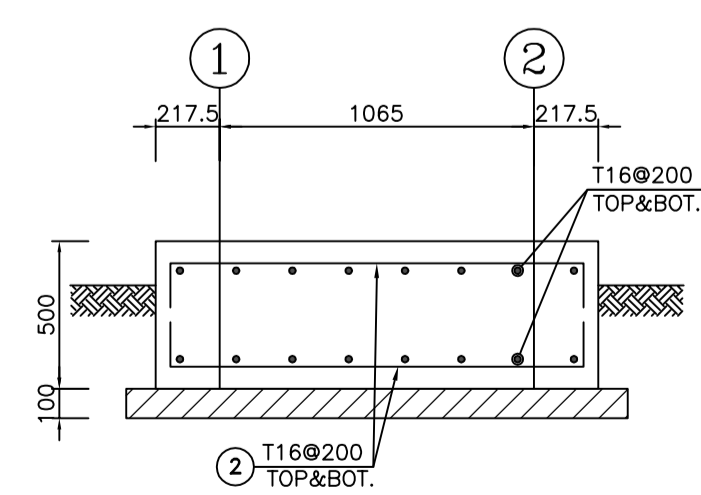
BASE PLATE FORMWORK PLAN
PLATFORM 8
1:25



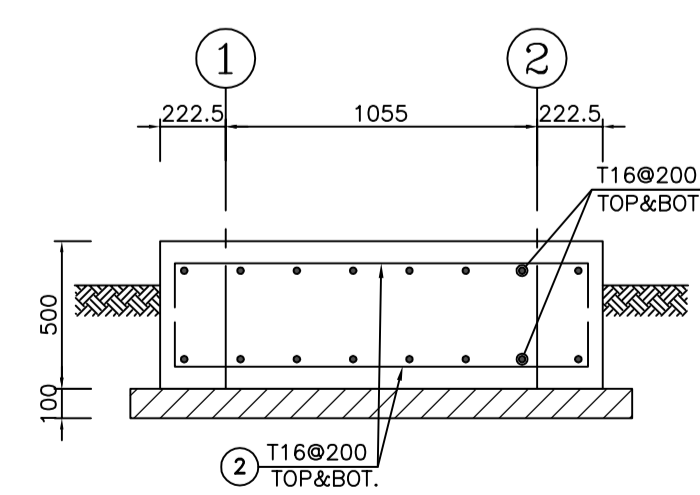
TYP. SECTION OF PD.2
FORMWORK
1:25



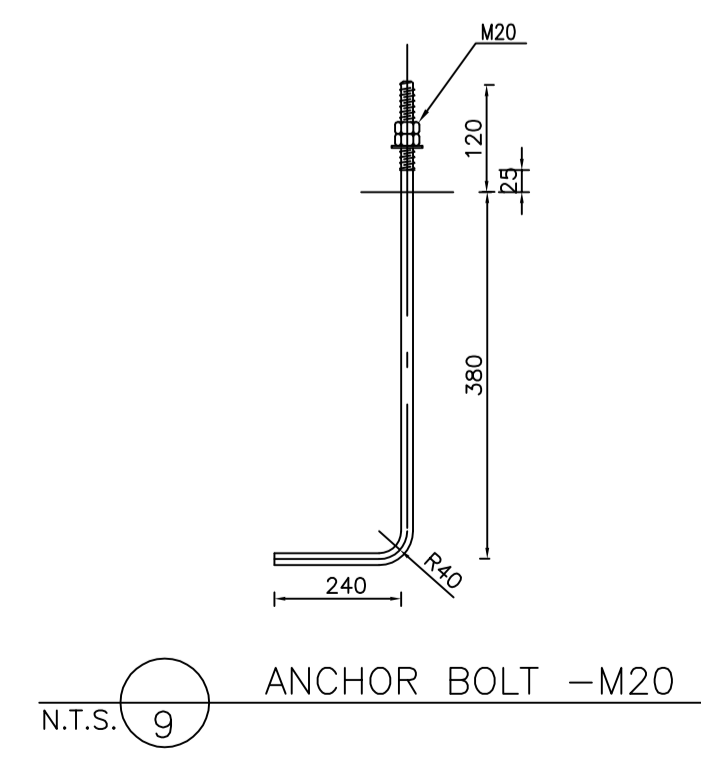
TYP. SECTION OF PD.3
FORMWORK
1:25



TYP. SECTION OF PD.2
REINFORCEMENT
1:25



TYP. SECTION OF PD.3
REINFORCEMENT
1:25



ANCHOR BOLT - M20
N.T.S.

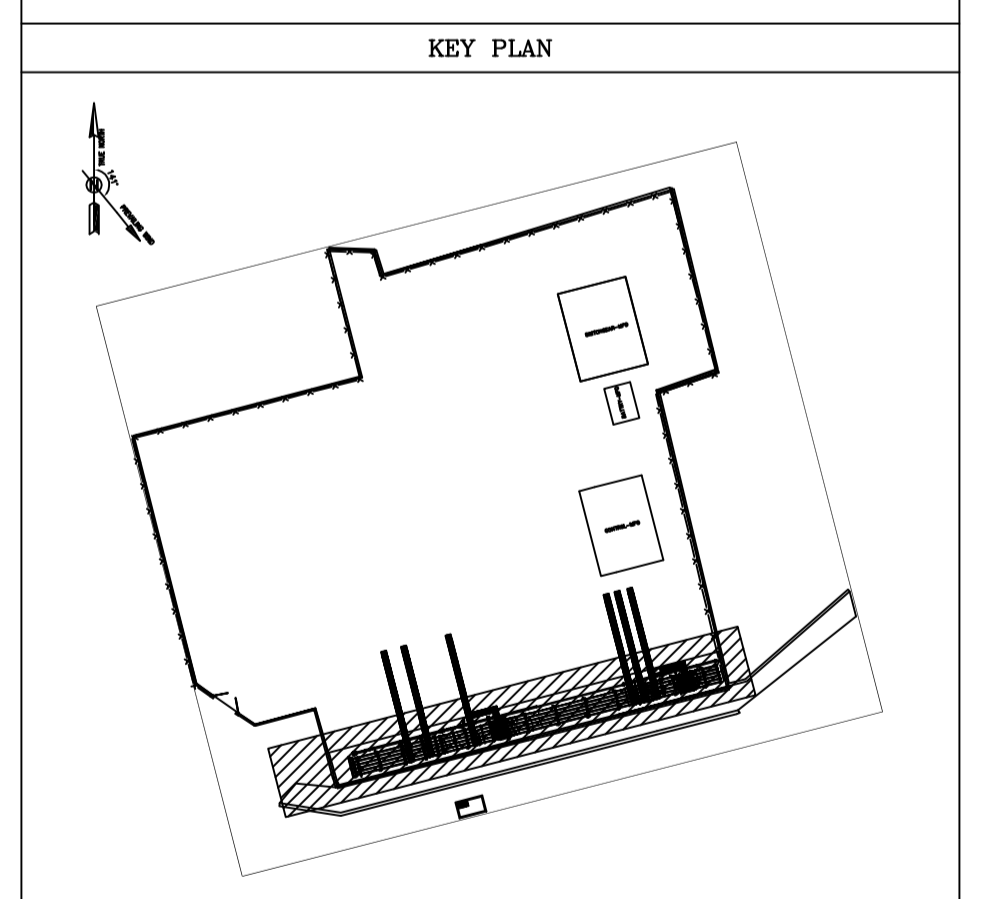
Pos	Spec.	Shape	L/A	No.	T16
1	T16	250-1850-250	2.35	12	28.2
2	T16	250-1350-250	1.85	90	166.5
3	T16	250-350-250	0.85	284	241.4
TOTAL LENGTH OR AREA (m/m ²)					436.10
UNIT WEIGH (Kg)					1.578
WEIGH (Kg)					688.2
GRAND TOTAL (Kg)					700

- NOTES
- 1) DIMENSIONS ARE IN "mm" AND ELEVATIONS IN "m" UNLESS SPECIFIED.
 - 2) ALL DIMENSIONS AND ELEVATIONS SHALL BE CHECKED BY THE CONTRACTOR PRIOR TO CONSTRUCTION.
 - 3) CONTRACTOR SHALL CHECK THE DRAWING WITH ALL ARCHITECTURAL, MECHANICAL, INSTRUMENT, PIPING & ELECTRICAL DRAWINGS BEFORE CONSTRUCTION AND ANY REQUIRED MODIFICATIONS SHALL BE CONSIDERED WITH PRIOR CLIENT APPROVAL.
 - 4) ANCHOR BOLTS, NUTS, WASHERS, OTHER THREADED FASTENERS & ALL STEEL STAIR MEMBERS SHALL BE HOT DIP GALVANIZED ACCORDANCE WITH ISIRI 19289 & STEEL PLATES SHALL BE HOT DIP GALVANIZED WITH ISIRI 16353.
 - 5) STEEL MATERIALS SHALL BE CONSIDERED FOR: PROFILES, PLATES AND GRATING AS ISIRI 14262-2, (S235JR)
 - 6) THE LOCATION AND GEOMETRY OF PLATFORM SHALL BE CHECKED AND ADJUSTED AT SITE.
 - 7) SHOULD BE USED THE EMULSION ON CONCRETE EXPOSED WITH SOIL.

H.P.P. LEVEL : ±0.00 = +55.00

LEGEND

REFERENCE DRAWING	DRG. No.
GENERAL NOTES - STEEL STRUCTURES	BK-GNRL-PEDCO-00-ST-DW-0011
SPECIFICATION FOR ERECTION OF STEEL STRUCTURES	BK-GNRL-PEDCO-000-ST-SP-0005
SPECIFICATION FOR FABRICATION OF STEEL STRUCTURES	BK-GNRL-PEDCO-000-ST-SP-0003
STANDARD DRAWING FOR OPERATING PLATFORM	BK-GNRL-PEDCO-000-ST-DW-0005
GENERAL NOTES-REINFORCEMENT CONCRETE STRUCTURES	BK-GNRL-PEDCO-000-ST-DW-0012
STANDARD DRAWING FOR ANCHOR BOLT	BK-GNRL-PEDCO-000-ST-DW-0002



REV.	DATE	P.O.I.S	PREP.	CHK.	APP.	AUT.	DESCRIPTION	BY	DATE	BY	DATE
D01	FEB.2023	IFA	R.BERLOUIE	M.FAKHARIAN	M.Mehrshad	**					
D00	OCT.2022	IPC	R.BERLOUIE	M.FAKHARIAN	M.Mehrshad	**					

PROJECT NAME: BINAK OILFIELD DEVELOPMENT/SUB-SURFACE WORK PACKAGES W007S WHF & EXTENSION OF BINAK B/C

PROJECT NO.: 971020

EPC CONTRACTOR: HIRGAN ENERGY - DESIGN & INSPECTION COMPANIES

EPD/EPC CONTRACTOR (GC): PETROIRAN DEVELOPMENT COMPANY

DRAWING TITLE: ACCESS PLATFORMS FOUNDATION DRAWING FOR EXTENSION OF BINAK B/C MANIFOLD

SCALE	SIZE	DRAWING NO.	SHEET NO.	REV.	BUDGET REF.	LOCATION	SIZE	CLASS	SERIAL NO.	SHEET	REVISION
N.T.S.	A1	BK-W007S-PEDCO-110-ST-DW-0004	3 OF 3	D01	053-073-9184	F	4	Q	708056	3 OF 3	D01

NO CONSTRUCTION PERMITTED UNLESS DRAWING APPROVED

APPROVED FOR CONSTRUCTION: [Signature] BY: [Signature] DATE: [Signature]