

**NOTES**

- 1- ALL FLARE LINES SHALL BE SELF DRAINING WITH NO POCKET FLARE SUB-HEADERS SHALL BE CONNECTED TO HEADER FROM TOP.
- 2- CHECK COVERAGE OF CCTV AND IF REQUIRED CONSIDER CCTV FOR FLARE MONITORING IN CONTROL ROOM.
- 3- DEFINE IN OPERATING MANUAL THAT OPERATOR SHOULD ENSURE THAT ALWAYS ONE DISCHARGE ROUTE OF P-2201A/B IS OPEN.

**GENERAL NOTE**

NO CONSTRUCTION PERMITTED UNLESS DRAWING APPROVED  
 APPROVED FOR CONSTRUCTION BY: DATE:  
 SHEET NO. 1 OF 3

**LEGEND**

Symbol & Legend For PFD & P&ID	DRG. No.
Utility Flow Diagram	BR-CGS-FED00-120-RR-P-001
Symbol & Legend For PFD & P&ID	BR-CGS-FED00-120-RR-P-001

**KEY PLAN**

REVISION	DESCRIPTION	BY	DATE	APP. DATE
***	*****	***	***	***
***	*****	***	***	***

THE ORIGINAL AND ALL COPIES OF THIS DRAWING TOGETHER WITH THE COPYRIGHT THEREON ARE THE SOLE PROPERTY OF N.I.S.O.C. / FIELDS

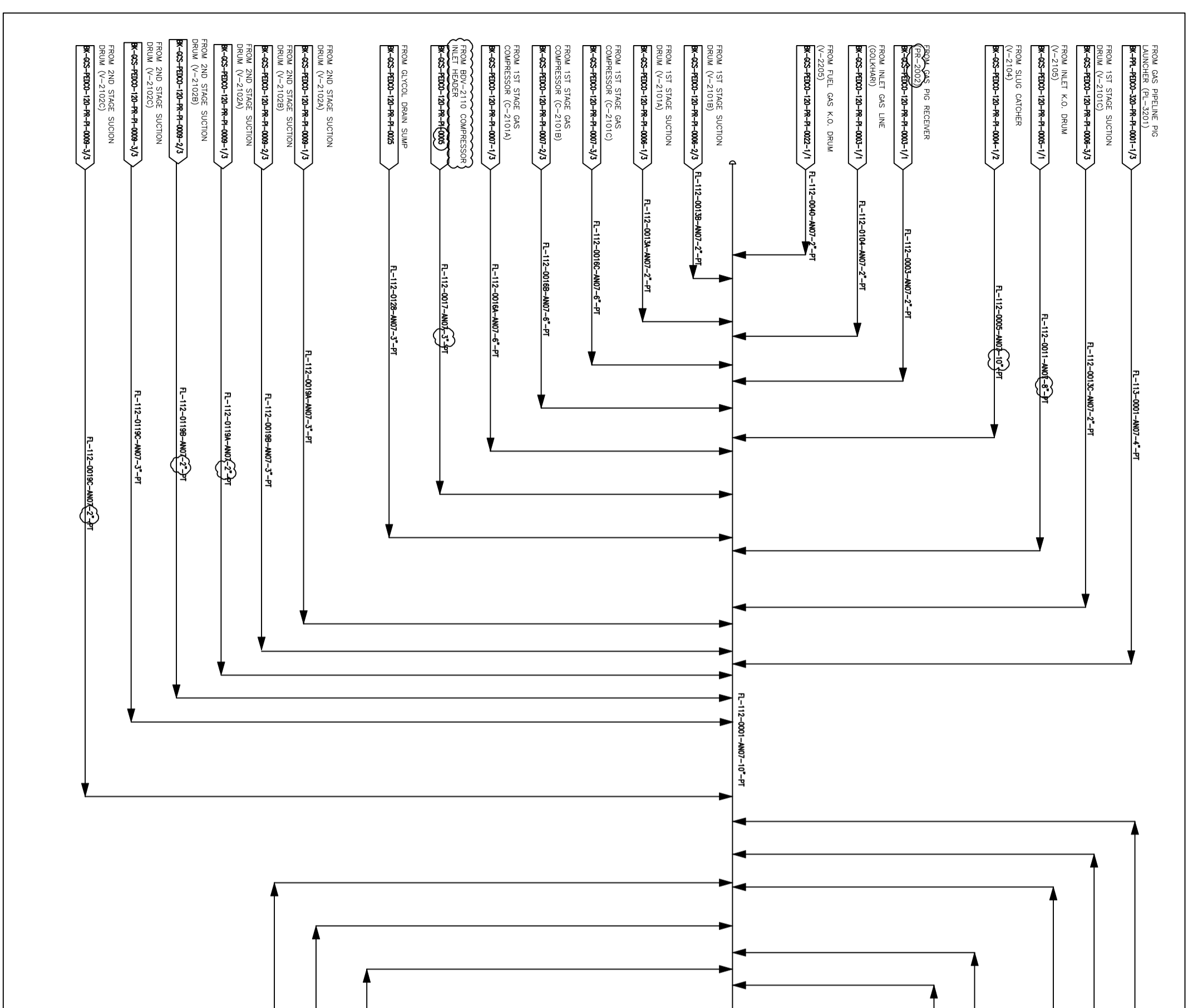
**BINAK OILFIELD DEVELOPMENT SURFACE FACILITIES GAS COMPRESSOR STATION**

DATE	SCALE	DRAWING BY	CHECKED BY	PROJECT ENG.

NO	DATE	REVISION	DESCRIPTION	BY	APP.	DATE
006	APR 2023	***	*****	*****	*****	*****
005	DEC 2022	***	*****	*****	*****	*****
004	AUG 2022	***	*****	*****	*****	*****
003	JUN 2022	***	*****	*****	*****	*****
002	MAR 2022	***	*****	*****	*****	*****
001	JAN 2022	***	*****	*****	*****	*****
000	OCT 2021	***	*****	*****	*****	*****

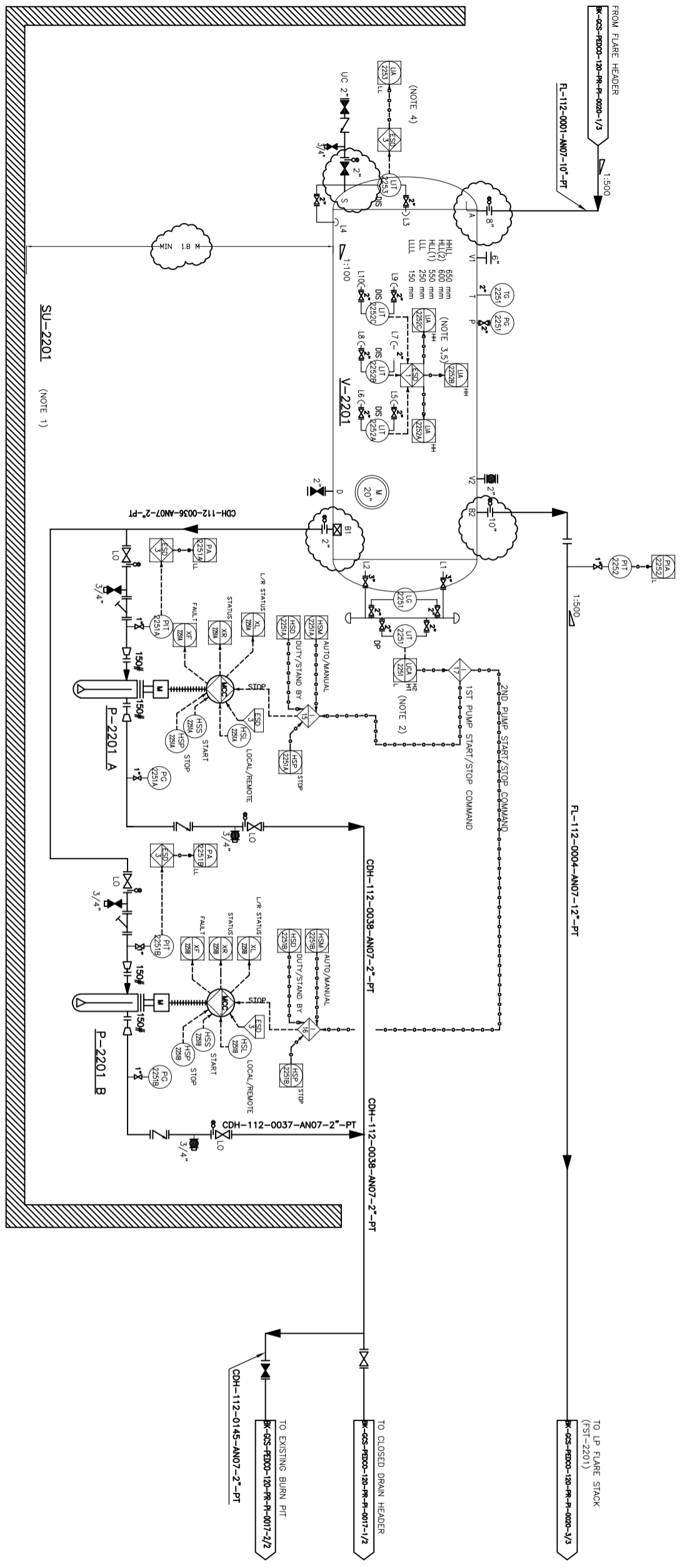
SCALE	SIZE	DRAWING NO.	SHEET NO.	REV.	NO.
AS	A3	BR-CGS-FED00-120-RR-P-008	1 OF 3	006	NS

(VENDOR TITLE BLOCK)\*\*



V-2201  
 LP FLARE K.O. DRUM  
 DIMENSION (D X TL-TL) : 1000 X 3000 mm  
 DESIGN TEMP : 85 °C  
 DESIGN PRESS : 7.7/7.5 barg  
 TRM LINE : TRM-V-2201-0504-AN07-PT

SU-2201  
 LP FLARE K.O. DRUM AND CLOSED DRAIN  
 DRUM PUMP



NOTES

- 1- FLARE K.O. DRUM, CLOSED DRAIN DRUM, GLYCOL SUMP DRUM AND RELATED PUMPS ARE IN COMMON PIT.
- 2- AT LEVEL H1, DUTY PUMP TO BE STARTED. AT LEVEL H2, STAND-BY PUMP TO BE STARTED.
- 3- HIGH HIGH LIQUID LEVEL, INITIATES PLANT TOTAL SHUT-DOWN.
- 4- LT (LOW LOW LEVEL TRANSMITTER LT- 2253IN THE FLARE DRUM) WILL STOP THE PUMPS.
- 5- VOTING 2 OF 3.
- 6- CHECK COVERAGE OF CCTV AND IF REQUIRED CONSIDER CCTV FOR FLARE MONITORING IN CONTROL ROOM.
- 7- DEFINE IN OPERATING MANUAL THAT OPERATOR SHOULD ENSURE THAT ALWAYS ONE DISCHARGE ROUTE OF P-2201A/B IS OPEN.
- 8- PARTIAL STROKE DENCE TO BE CONSIDERED FOR ALL ESD'S ACTIVATED BY ESD 1.0.

GENERAL NOTE

LEGEND

REFERENCE DRAWING	DWG. No.
Utility Flow Diagram	BK-035-PB00-120-RR-P-001-0001
Symbol & Legend For PFD and P&ID	BK-035-PB00-120-RR-P-001-0001

KEY PLAN

REV.	DATE	DESCRIPTION	CHECKED	BY	DATE	REV.	DATE	DESCRIPTION	CHECKED	BY	DATE
006	APR 2023	IF A	XXXXXXXXXX			**					
005	DEC 2022	IF A	XXXXXXXXXX			**					
004	AUG 2022	IF A	XXXXXXXXXX			**					
003	JUN 2022	IF A	XXXXXXXXXX			**					
002	MAR 2022	IF A	XXXXXXXXXX			**					
001	JAN 2022	IF A	XXXXXXXXXX			**					
000	OCT 2021	IF C	XXXXXXXXXX			**					

PROJECT NAME: BINAK OILFIELD DEVELOPMENT/SURFACE FACILITIES  
 PROJECT NO.: 071020

EPD/ERC CONTRACTOR (GC): PETROBRAS DEVELOPMENT COMPANY

EPD/ERC CONTRACTOR (GC): PETROBRAS DEVELOPMENT COMPANY

DATE: SCALE: DRAWING BY: CHECKED BY: PROJECT ENG.

APPROVED FOR CONSTRUCTION BY: DATE: SHEET NO. 2 OF 3

NO CONSTRUCTION PERMITTED UNLESS DRAWING APPROVED

EPD/ERC CONTRACTOR (GC): PETROBRAS DEVELOPMENT COMPANY

EPD/ERC CONTRACTOR (GC): PETROBRAS DEVELOPMENT COMPANY

DATE: SCALE: DRAWING BY: CHECKED BY: PROJECT ENG.

APPROVED FOR CONSTRUCTION BY: DATE: SHEET NO. 2 OF 3

NO CONSTRUCTION PERMITTED UNLESS DRAWING APPROVED

P-2201 A/B  
 LP FLARE K.O. DRUM PUMP

RATED CAPACITY : 2.2 m<sup>3</sup>/hr  
 DIFFERENTIAL PRESS : 1.5 bar  
 TRM LINE : TRM-P-2201-0504-AN07-PT

(VENDOR TITLE BLOCK)\*\*

SCALE	SIZE	DRAWING NO.	SHEET NO.	REV.
AS	A3	BK-035-PB00-120-RR-P-000	2 OF 3	006

APPROVED FOR CONSTRUCTION BY:	DATE:	SHEET NO.	REV.
		2 OF 3	006

**IG-2201**  
**LP FLARE IGNITION PACKAGE**

**EST-2201**  
**LP FLARE STACK**  
FLARE STACK HEIGHT : 22.5 M  
FLARE STACK SIZE : 12 INCH

**NOTES**

- 1- FLARE PACKAGE SHALL INCLUDE (AT LEAST):
  - FLARE STACK
  - FLARE TIP & SEAL
  - FLARE MONITORING SYSTEM
  - LPG BOTTLES
- 2- IGNITION PANEL SHALL BE INSTALLED OUTSIDE FLARE RADIATION ZONE.
- 3- SET PRESSURE TO BE ADVISED BY FLARE TIP VENDOR.
- 4- THREE PILOT AND IGNITION LINES (ONE PER PILOT) PRESENTED FOR THE FLARE TIP TO BE CONSIDERED BY VENDOR.
- 5- HIGH ENERGY IGNITION TYPE WITH AUTO REIGNITION CAPABILITY SHALL BE CONSIDERED FOR FLARE PACKAGE (BY VENDOR).
- 6- PILOT GAS BACK-UP BY LPG BOTTLES. NUMBER OF BOTTLES AND DETAILS TO BE FINALIZED BY VENDOR.
- 7- THE LPG BOTTLE REQUIRED FOR 12 HOUR BACK-UP AND NUMBER OF BOTTLES SHALL BE SPECIFIED AND SUPPLIED BY VENDOR.
- 8- THE LPG BOTTLE CONNECTION POINT SHALL BE CLOSEST AS POSSIBLE TO DISTRIBUTION POINT.
- 9- PILOT FLAME STATUS TO BE PROVIDED BY FLARE PACKAGE IN BURN-BACK LINE.
- 10- LOCAL MCC (MOTOR CONTROL CENTER) OR PDP (POWER DISTRIBUTION PANEL) IS IN VENDOR SCOPE OF WORK, ALL REQUIRED SIGNALS TO BE PROVIDED TO PROVIDE ALL REQUIRED.
- 11- SIGNAL WILL BE FINALIZED BY VENDOR.
- 12- CHECK COVERAGE OF CCTV AND IF REQUIRED CONSIDER CCTV FOR FLARE MONITORING IN CONTROL ROOM.
- 13- DEFINE IN OPERATING MANUAL THAT OPERATOR SHOULD ENSURE THAT ALWAYS ONE DISCHARGE ROUTE OF P-2201/A/B IS OPEN.
- 13- PARTIAL STOP DEVICE TO BE CONSIDERED FOR ALL ESD'S ACTIVATED BY ESD 110.

**GENERAL NOTE**

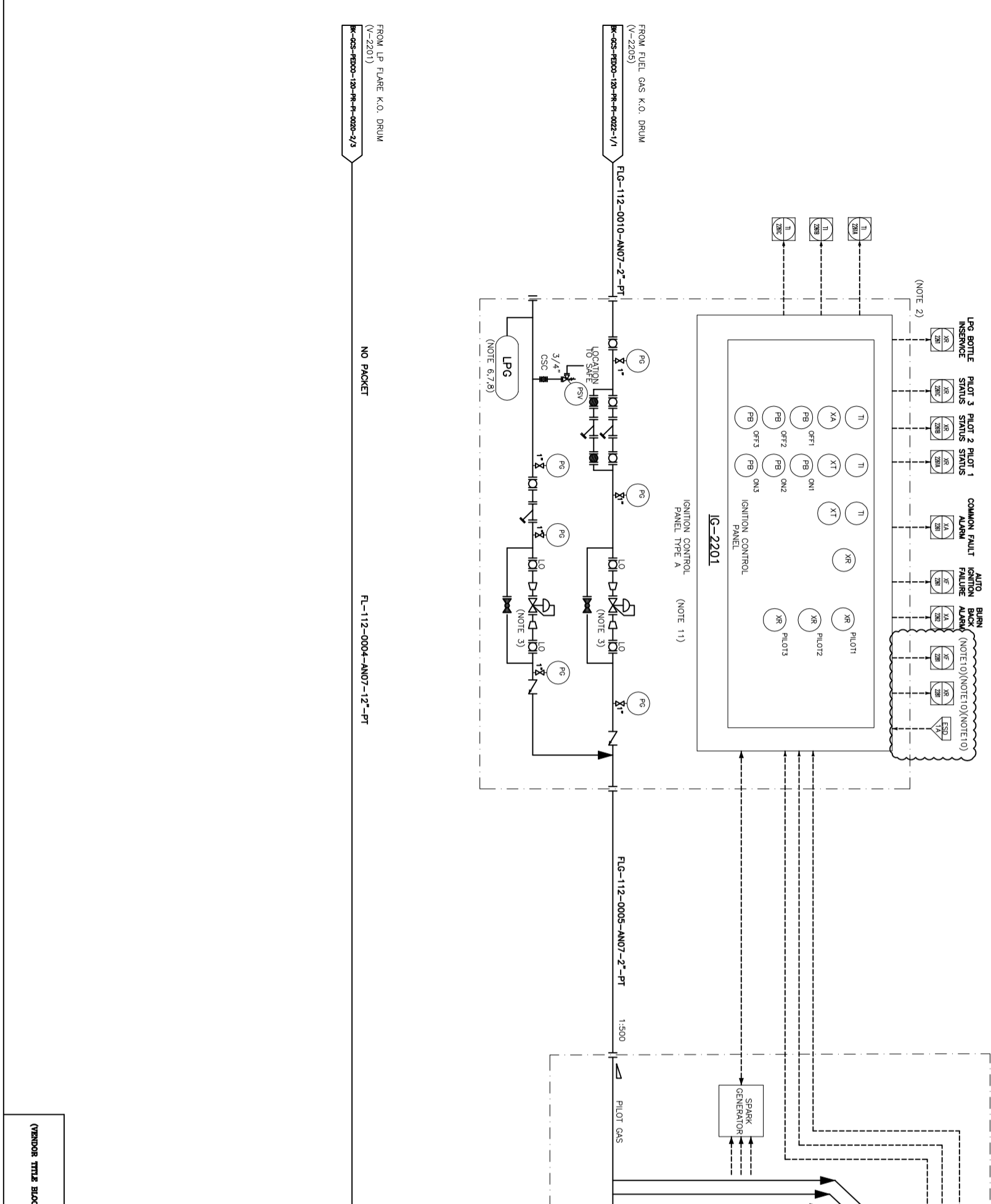
**LEGEND**

REFERENCE DRAWING	DWG. No.
Utility Flow Diagram	BR-QCS-PBDO-120-PR-P1-0001
Symbol & Legend For PFD & P&ID	BR-QCS-PBDO-120-PR-P1-0001

**KEY PLAN**

THE ORIGINAL AND ALL COPIES OF THIS DRAWING TOGETHER WITH THE COPYRIGHT THEREON ARE THE SOLE PROPERTY OF N.I.S.O.C./ FIELDS

REV.	DATE	DESCRIPTION	CHECKED	BY	DATE	REV.	DATE	DESCRIPTION	CHECKED	BY	DATE
006	APR 2023	IF A	XXXXXXXXXX	XXXXXXXXXX	XXXXXX	**	**				
005	DEC 2022	IF A	XXXXXXXXXX	XXXXXXXXXX	XXXXXX	**	**				
004	AUG 2022	IF A	XXXXXXXXXX	XXXXXXXXXX	XXXXXX	**	**				
003	JUN 2022	IF A	XXXXXXXXXX	XXXXXXXXXX	XXXXXX	**	**				
002	MAR 2022	IF A	XXXXXXXXXX	XXXXXXXXXX	XXXXXX	**	**				
001	JAN 2022	IF A	XXXXXXXXXX	XXXXXXXXXX	XXXXXX	**	**				
000	OCT 2021	IF C	XXXXXXXXXX	XXXXXXXXXX	XXXXXX	**	**				



FROM LP FLARE K.O. DRUM  
(V-2201)  
BR-QCS-PBDO-120-PR-P1-0022-1/1  
FIG-112-0010-AN07-2\*-PT  
NO PACKET  
FL-112-0004-AN07-12\*-PT

DATE	SCALE	DRAWING BY	LOCATION	SIZE	CLASS	SERIAL NO.	SHEET NO.	SHEET REVISION
							3 OF 3	109798

**PAID - LP FLARE SYSTEM**

**BR-QCS-PBDO-120-PR-P1-0020**

**EPD/PEC CONTRACTOR (GC):**  
**PETROBRAS DEVELOPMENT COMPANY**

**BR-QCS-PBDO-120-PR-P1-0020**

**PROJECT NAME:** BINAK OILFIELD DEVELOPMENT/SURFACE FACILITIES  
**PROJECT NO.:** 071020

**NO CONSTRUCTION PERMITTED UNLESS DRAWING APPROVED**

APPROVED FOR CONSTRUCTION BY: \_\_\_\_\_ DATE: \_\_\_\_\_

REVISION BY: \_\_\_\_\_ DATE: \_\_\_\_\_