

ELECTRICAL TYPICAL SCHEMATIC DIAGRAMS FOR MV PANEL

NOTES



ABBREVIATION

REFERENCE DRAWING	DRG. No.
ELECTRICAL LOAD LIST	BK-GCS-PEDCO-120-EL-1A-0001
EXISTENT MV SWITCHGEAR EXPANSION SINGLE LINE DIAGRAM	BK-GCS-PEDCO-120-EL-2B-0003

REV.	DESCRIPTION	BY	DATE	CHECKED	BY	DATE	REV. APPR.
DD6	MAY.2025	IFI					
DD4	DEC.2022	IFI					
DD5	JUL.2022	IFI					
DD2	APR.2022	IFI					
DD1	MAR.2022	IFI					
DD0	JAN.2022	IFI					

PROJECT NAME: BINAK OILFIELD DEVELOPMENT/SURFACE FACILITIES GAS COMPRESSOR STATION

PROJECT NO.: 971020

 HIRSAN ENERGY - DESIGN & INSPECTION COMPANIES	 PETROIRAN DEVELOPMENT COMPANY
--	--

THE ORIGINAL AND ALL COPIES OF THIS DRAWING TOGETHER WITH THE COPYRIGHT THEREIN ARE THE SOLE PROPERTY OF N.I.S.O.C./ FIELDS

BINAK OILFIELD DEVELOPMENT SURFACE FACILITIES GAS COMPRESSOR STATION			
DATE	SCALE	DRAWING BY	CHECKED BY PROJECT ENG.

DRAWING TITLE: ELECTRICAL TYPICAL SCHEMATIC DIAGRAMS FOR MV PANEL

NO CONSTRUCTION PERMITTED UNLESS DRAWING APPROVED

SCALE	SIZE	DRAWING NO.	SHEET NO.	REV.	BUDGET REF.	LOCATION	SIZE	CLASS	SERIAL NO.	SHEET	REVISION
N.T.B	A3	BK-GCS-PEDCO-120-EL-DG-0001	01 OF 07	DD6	063-070-0164	P	2	P	709040	01 OF 07	DD6

(VENDOR TITLE BLOCK)**

ITEM No.	SYMBOLS	DESCRIPTION	ITEM No.	SYMBOLS	DESCRIPTION
01		VOLTAGE TRANSFORMER	20		THERMO SWITCH
02		CURRENT TRANSFORMER	21		OPERATING MECHNISM
03		CURRENT TRANSFORMER (RING TYPE)	22		SIGNAL LAMP
04		CORE BLANCD C.T.	23		DRAW OUT UNIT
05		CIRCUIT BREAKER	24		AMMETER
06		NORMALLY OPEN / CLOSE CONTACT	25		VOLTMETER
07		LIMIT SWITCH	26		AMMETER SWITCH
08		DISCONNECTOR (ISOLATOR)	27		VOLTMETER SWITCH
09		CONTACTOR	28		BUS BAR
10		START/STOP PUSH BUTTON	29		OPERATING BY TURNING
11		EARTHING SWITCH	30		THREE POSITION LATCH TYPE SELECTOR SWITCH
12		THERMAL RELAY	31		LATCH
13		COIL	32		KILO WATT HOUR METER
14			33		RELAY (NUMBER IN THE SYMBOLS INDICATES)
15		TWO POLE MINIATURE CIRCUIT BREAKER	34		FUSE GENERAL SYMBOL
16		TWO POLE EARTH LEAKAGE MINIATURE CIRCUIT BREAKER	35		ELECTRICAL HEATER
17		THREE POSITION SELECTOR SWITCH	36		CABLE NUMBER INDICATION
18		CABLE GLAND	37		TESTING TERMINAL
19		TERMINAL	38		OPERATING BY ELECTRIC MOTOR

NOTES

- MAX. TWO WIRES SHOULD BE CONNECTED TO ONE TERMINAL.
- PANEL HEATER SHOULD BE INSTALLED IN SUITABLE POSITION.
- THE BURDEN OF C.T. & V.T. SHOULD BE FINALIZED BY PANEL MANUFACTURE.

ABBREVIATION

A	AMPERE
M	MOTOR
AS	AMMETER SWITCH
CT	CURRENT TRANSFORMER
Hz	HERTZ
IP	DEGREE OF PROTECTION BY ENCLOSURE
KA	KILO AMPERE
KV	KILO VOLT
KW	KILO WATT
MV	MEDIUM VOLTAGE
VS	VOLTMETER SWITCH
VI	VOLTAGE TRANSFORMER
KVA	KILOVOLT-AMPERE
KWH	KILOWATT-HOUR
VCB	VACUUM CIRCUIT BREAKER
TCS	TRIP COIL SUPERVISION
KVAR	KILOVAR
SWGR	SWITCH GEAR

REFERENCE DRAWING	DRG. No.
ELECTRICAL LOAD LIST	BK-GCS-PECCO-120-EL-13-0001
EQUIPMENT BY PIPING/GEAR EXPANSION SINGLE LINE DIAGRAM	BK-GCS-PECCO-120-EL-16-0003

REV.	DATE	P.O.I.F.	PREP.	CHK.	APP.	AUT.
DD6	MAY.2023	IFI	K.BAKHRA	M.FARSHAN	A.A.MOHEBI	** **
DD4	MAR.2022	IFI	K.BAKHRA	M.FARSHAN	A.A.MOHEBI	** **
DD5	JUL.2022	IFI	K.BAKHRA	M.FARSHAN	A.A.MOHEBI	** **
DD2	APR.2022	IFI	K.BAKHRA	M.FARSHAN	A.A.MOHEBI	** **
DD1	MAR.2022	IFI	K.BAKHRA	M.FARSHAN	A.A.MOHEBI	** **
DD0	JAN.2022	IFI	K.BAKHRA	M.FARSHAN	A.A.MOHEBI	** **

PROJECT NAME: BINAK OILFIELD DEVELOPMENT/SURFACE FACILITIES GAS COMPRESSOR STATION

PROJECT NO.: 971020

EPC CONTRACTOR: IRISAN ENERGY DESIGN & INSPECTION COMPANIES

EPD/EPC CONTRACTOR (CO): PETROIRAN DEVELOPMENT COMPANY

امثل و كليه نسخ اين نقشه و جز اجزاي مشابه به تركيب دري مشابه باذ غير مجاز است

THE ORIGINAL AND ALL COPIES OF THIS DRAWING TOGETHER WITH THE COPYRIGHT THEREIN ARE THE SOLE PROPERTY OF N.I.S.O.C./ FIELDS

BINAK OILFIELD DEVELOPMENT SURFACE FACILITIES GAS COMPRESSOR STATION

DATE	SCALE	DRAWING BY	CHECKED BY	PROJECT ENG.

DRAWING TITLE: ELECTRICAL TYPICAL SCHEMATIC DIAGRAMS FOR MV PANEL

SCALE	SIZE	DRAWING NO.	SHEET NO.	REV.	BUDGET REF.	LOCATION	SIZE	CLASS	SERIAL NO.	SHEET	REVISION
N.P.S	A3	BK-GCS-PECCO-120-EL-DC-0001	02 OF 07	DD6	063-073-0164	P	2	P	709040	02 OF 07	DD6

(VENDOR TITLE BLOCK)**

ITEM No.	SYMBOLS	DESCRIPTION	ITEM No.	SYMBOLS	DESCRIPTION
39		LIGHTING ARRESTER OR SURGE ARRESTER	58		INSTANTANEOUS OVER CURRENT RELAY
40		AMMETER TRANSDUCER	59		AC TIME OVER CURRENT RELAY
41		VOLT TRANSDUCER	60		SENSITIVE EARTH FAULT RELAY
42		KILO WATT TRANSDUCER	61		INSTANTANEOUS EARTH FAULT RELAY
43		KILO VAR TRANSDUCER	62		AC INVERSE TIME EARTH FAULT RELAY
44		POWER FACTOR TRANSDUCER	63		TRIP COIL SUPERVISION RELAY
45		POWER FACTOR METER	64		LOCK OUT RELAY
46		WATT METER	65		TOO FREQUENT START RELAY
47		VAR METER	66		WINDING OVER TEMPERATURE RELAY
48		CLOSING COIL	67		LOCKED ROTOR RELAY
49		SHUNT TRIP	68		INTERTRIP RECEIVE RELAY
50		AUXILIARY RELAY	69		
51		AUXILIARY RELAY	70		
52		UNDER VOLTAGE RELAY	71		
53		INDUCED VOLTAGE RELAY	72		
54		POSITION SWITCH	73		
55		BEARING PROTECTIVE DEVICE	74		
56		REVERSE-PHASE OR PHASE- BALANCE CURRENT RELAY	75		
57		MACHINE THERMAL RELAY	76		

NOTES

- 1- MAX. TWO WIRES SHOULD BE CONNECTED TO ONE TERMINAL.
- 2- PANEL HEATER SHOULD BE INSTALLED IN SUITABLE POSITION.
- 3- THE BURDEN OF C.T. & V.T. SHOULD BE FINALIZED BY PANEL MANUFACTURE.

ABBREVIATION

A	AMPERE
M	MOTOR
AS	AMMETER SWITCH
CT	CURRENT TRANSFORMER
Hz	HERTZ
IP	DEGREE OF PROTECTION BY ENCLOSURE
KA	KILO AMPERE
KV	KILO VOLT
KW	KILO WATT
MV	MEDIUM VOLTAGE
VS	VOLTMETER SWITCH
VI	VOLTAGE TRANSFORMER
KVA	KILOVOLT-AMPERE
KWH	KILOWATT-HOUR
VCB	VACUUM CIRCUIT BREAKER
TCS	TRIP COIL SUPERVISION
KVAR	KILOVAR
SWGR	SWITCH GEAR

REFERENCED DRAWING	DRG. No.
ELECTRICAL LOAD LIST	BK-GCS-PECCO-120-EL-14-0001
EQUIPMENT MV PPM/PC/BEAR EXPANSION SINGLE LINE DIAGRAM	BK-GCS-PECCO-120-EL-EL-0003

REV.	DATE	DESCRIPTION	BY	DATE	BY	DATE
DD6	MAY.2025	IFI	IR.MANESH	IR.FARSHAD	IR.MANESH	** **
DD4	MAY.2025	IFI	IR.MANESH	IR.FARSHAD	IR.MANESH	** **
DD5	JUL.2025	IFI	IR.MANESH	IR.FARSHAD	IR.MANESH	** **
DD2	APR.2025	IFI	IR.MANESH	IR.FARSHAD	IR.MANESH	** **
DD1	MAR.2025	IFI	IR.MANESH	IR.FARSHAD	IR.MANESH	** **
DD0	JAN.2025	IFI	IR.MANESH	IR.FARSHAD	IR.MANESH	** **

PROJECT NAME: BINAK OILFIELD DEVELOPMENT/SURFACE FACILITIES GAS COMPRESSOR STATION

PROJECT NO.: 971020

EPC CONTRACTOR: HIRGAN ENERGY DESIGN & INSPECTION COMPANIES

EPD/EPC CONTRACTOR (CO): PETROIRAN DEVELOPMENT COMPANY

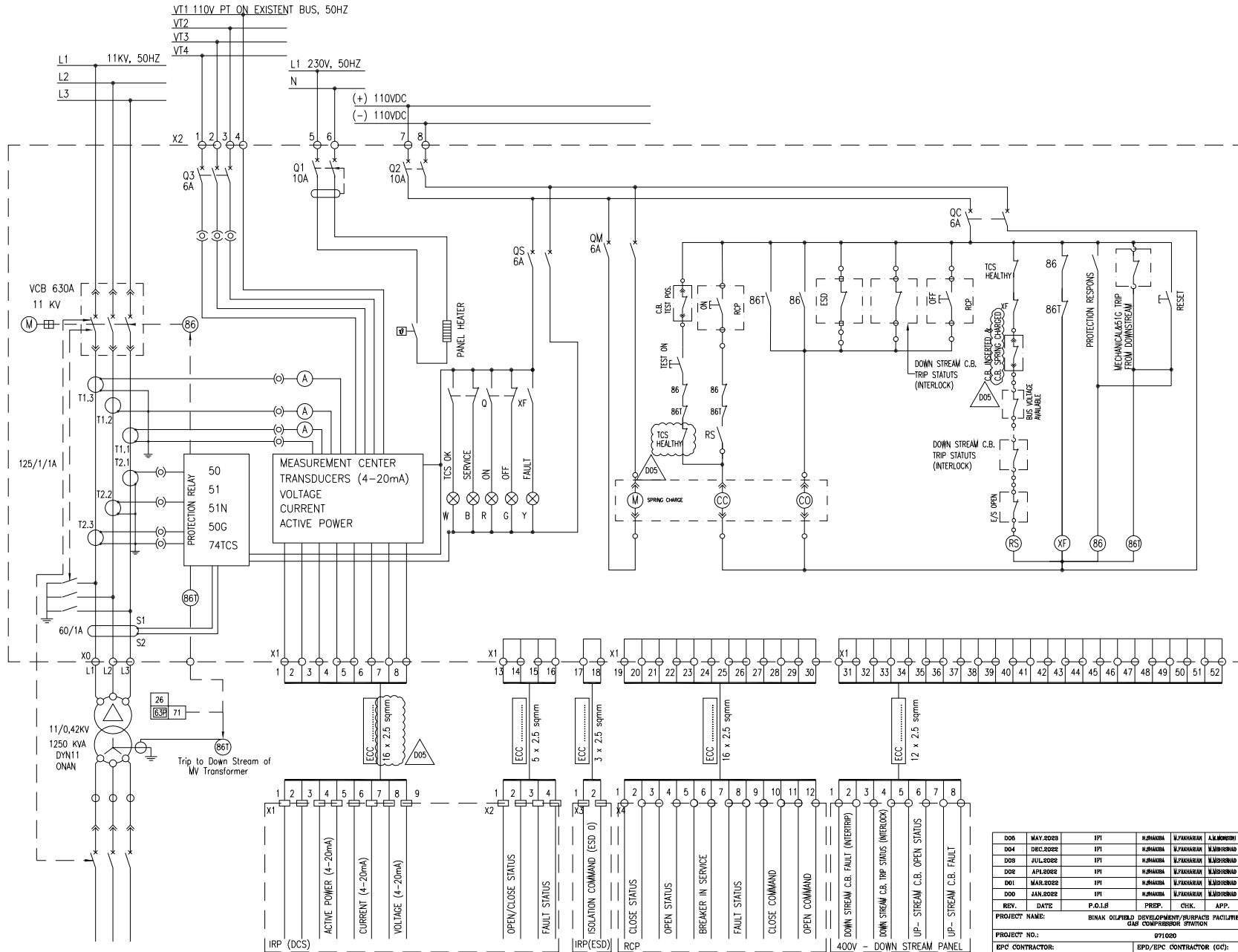
امثل و کلاه این نقشه و جزو اوراق مستعار به شرکت ملی صنایع پتروشیمی می باشد
 THE ORIGINAL AND ALL COPIES OF THIS DRAWING TOGETHER WITH THE COPYRIGHT THEREIN ARE THE SOLE PROPERTY OF N.I.S.O.C./ FIELDS

BINAK OILFIELD DEVELOPMENT SURFACE FACILITIES GAS COMPRESSOR STATION

DATE	SCALE	DRAWING BY	CHECKED BY	PROJECT ENG.

(VENDOR TITLE BLOCK)**

DRAWING TITLE: NO CONSTRUCTION PERMITTED UNLESS DRAWING APPROVED				
ELECTRICAL TYPICAL SCHEMATIC DIAGRAMS FOR MV PANEL				
APPROVED FOR CONSTRUCTION BY: _____ DATE: _____				
SCALE	SIZE	DRAWING NO.	SHEET NO.	REV.
N.T.B	A3	BK-GCS-PECCO-120-EL-DC-0001	08 OF 07	DD6
BUDGET REF.	LOCATION	SIZE	CLASS	SERIAL NO.
063-070-0164	P	2	P	709040
				SHEET REVISION
				03 OF 07 DD6



LV TRANSFORMER OUTGOING: TYPE C2

NOTES

- 1- MAX. TWO WIRES SHOULD BE CONNECTED TO ONE TERMINAL.
- 2- PANEL HEATER SHOULD BE INSTALLED IN SUITABLE POSITION.
- 3- THE BURDEN OF C.T. & V.T. SHOULD BE FINALIZED BY PANEL MANUFACTURE.
- 4- IN THE CASE OF MECHANICAL TRIP OF TRANSFORMER, SIGNAL RELAY 86 SHALL BE SENT TO DOWNSTREAM. IN OTHER WORDS VCB & ACB SHALL BE TRAPPED.
- 5- FOR FIRE WATER PUMP WHICH WILL BE FED FROM 11/3.3 KV TRANSFORMER, A VOLTMETER SHALL BE CONSIDERED ON 3.3 SWITCHGEAR.
- 6- VOLTAGE & CURRENT SAMPLE FOR CAPACITOR BANKS OF COMPRESSORS SHALL BE CONSIDERED BY VENDOR.
- 7- SUPPLY VOLTAGE 230 VAC FOR CIRCUIT LIGHTING, SOCKET, SHALL BE CONSIDERED SEPARATELY MCB BY VENDOR. ALSO SUPPLY VOLTAGE 110 VDC FOR CIRCUIT METERING AND PROTECTION, MOTOR SPRING CHARGE, CLOSE AND OPEN COIL, INDICATION, SHALL BE CONSIDERED SEPARATELY MCB BY VENDOR.
- 8- CAPACITIVE VOLTAGE INDICATOR TO BE CONSIDERED FOR MV FEEDERS.
- 9- CIRCUIT BREAKERS STATUS SHALL BE SENT TO BOTH DCS AND RCP.

ABBREVIATION

A	AMPERE
M	MOTOR
AS	AMMETER SWITCH
CT	CURRENT TRANSFORMER
Hz	HERTZ
IP	DEGREE OF PROTECTION BY ENCLOSURE
KA	KILO AMPERE
KV	KILO VOLT
KW	KILO WATT
MV	MEDIUM VOLTAGE
VS	VOLTMETER SWITCH
VI	VOLTAGE TRANSFORMER
KVA	KILOVOLT-AMPERE
KWH	KILOWATT-HOUR
VCB	VACUUM CIRCUIT BREAKER
TCS	TRIP COIL SUPERVISION
KVAR	KILOVAR
SWGR	SWITCH GEAR

REFERENCE DRAWING	DRG. No.
ELECTRICAL LOAD LIST	BK-GCS-PECCO-120-EL-13-0001
EXPANSION MV PIPING/SWITCHGEAR EXPANSION	BK-GCS-PECCO-120-EL-08-0003
BUSBAR LINE DIAGRAM	

REV.	DATE	DESCRIPTION	BY	DATE	BY	DATE
006	MAY.2025	IF1	EL/BAHBA	EL/SHARHAN	EL/MOHAMMAD	** **
004	DEC.2024	IF1	EL/BAHBA	EL/SHARHAN	EL/MOHAMMAD	** **
003	JULY.2025	IF1	EL/BAHBA	EL/SHARHAN	EL/MOHAMMAD	** **
002	APR.2025	IF1	EL/BAHBA	EL/SHARHAN	EL/MOHAMMAD	** **
001	MAR.2025	IF1	EL/BAHBA	EL/SHARHAN	EL/MOHAMMAD	** **
DDO	JAN.2025	IF1	EL/BAHBA	EL/SHARHAN	EL/MOHAMMAD	** **

PROJECT NAME: BINAK OILFIELD DEVELOPMENT/SURFACE FACILITIES GAS COMPRESSOR STATION
 PROJECT NO.: 971020

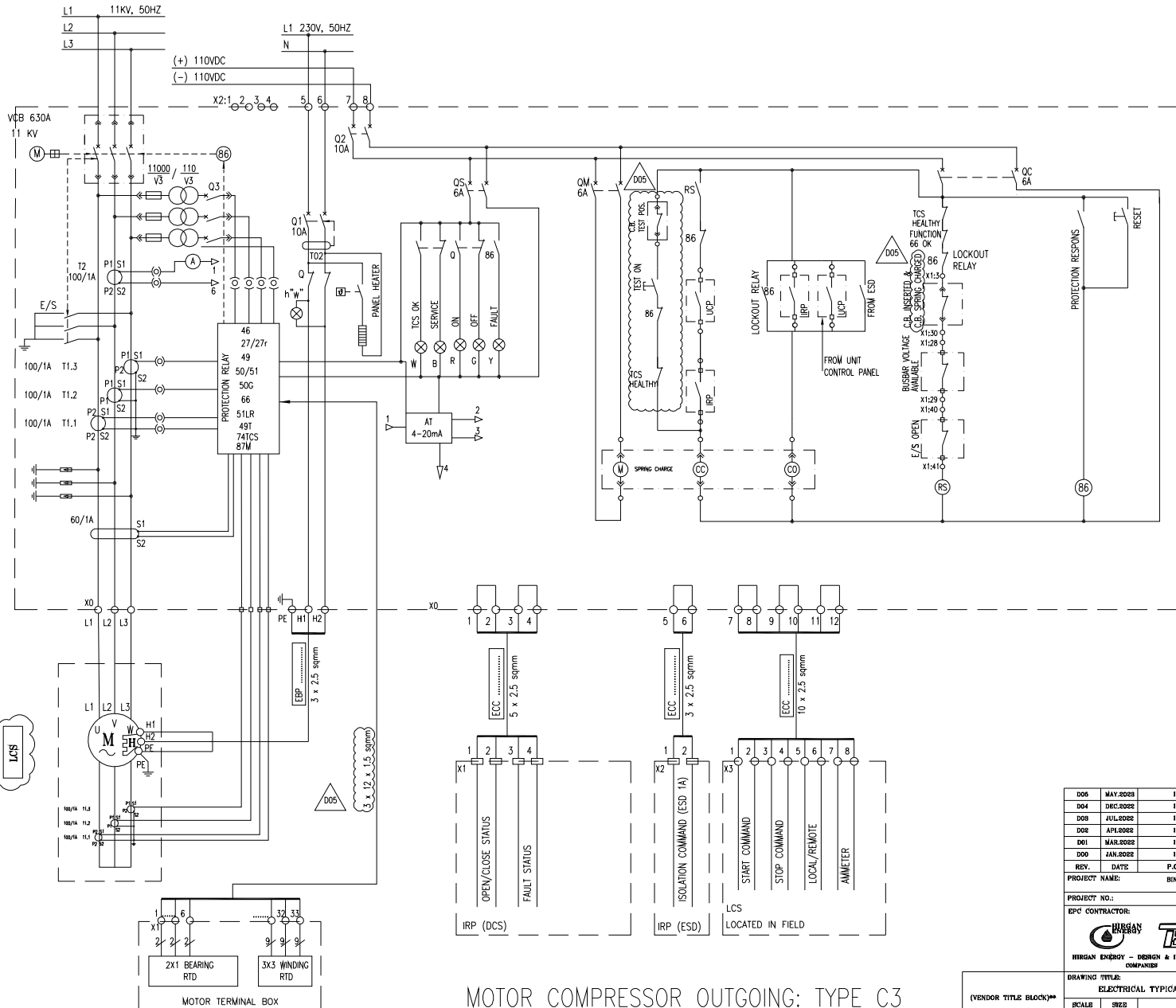
EPD CONTRACTOR:	EPD/BPC CONTRACTOR (GO):

DRAWING TITLE:		NO CONSTRUCTION PERMITTED UNLESS DRAWING APPROVED	
ELECTRICAL TYPICAL SCHEMATIC DIAGRAMS FOR MV PANEL		APPROVED FOR CONSTRUCTION BY: _____ DATE: _____	
SCALE:	SHEET NO.	BUDGET REF. LOCATION	SIZE CLASS
N.T.B	AS	BK-GCS-PECCO-120-EL-DG-0001	04 OF 07
		REV.	SHEET REVISION
		006-070-0164	P 2 P 709040
		04 OF 07	006

اسم كل شيء این خطه و حق ایزدیه مشرفه برک ترک ملی مناطق نفت خیز جنوب می باشد
 THE ORIGINAL AND ALL COPIES OF THIS DRAWING TOGETHER WITH THE COPYRIGHT THEREIN ARE THE SOLE PROPERTY OF N.I.S.O.C./ FIELDS

BINAK OILFIELD DEVELOPMENT SURFACE FACILITIES GAS COMPRESSOR STATION

DATE: _____ SCALE: _____ DRAWING BY: _____ CHECKED BY: _____



MOTOR COMPRESSOR OUTGOING: TYPE C3

- NOTES**
- 1- MAX. TWO WIRES SHOULD BE CONNECTED TO ONE TERMINAL.
 - 2- PANEL HEATER SHOULD BE INSTALLED IN SUITABLE POSITION.
 - 3- THE BURDEN OF C.T. & V.T. SHOULD BE FINALIZED BY PANEL MANUFACTURE.
 - 4- IN THE CASE OF MECHANICAL TRIP OF TRANSFORMER, SIGNAL RELAY 86 SHALL BE SENT TO DOWSTREAM. IN OTHER WORDS VCB & ACB SHALL BE TRAPPED.
 - 5- FOR FIRE WATER PUMP WHICH WILL BE FED FROM 11/3.3 KV TRANSFORMER, A VOLTMETER SHALL BE CONSIDERED ON 3.3 SWITCHGEAR.
 - 6- VOLTAGE & CURRENT SAMPLE FOR CAPACITOR BANKS OF COMPRESSORS SHALL BE CONSIDERED BY VENDOR.
 - 7- SUPPLY VOLTAGE 230 VAC FOR CIRCUIT LIGHTING, SOCKET, SHALL BE CONSIDERED SEPARATELY MCB BY VENDOR. ALSO SUPPLY VOLTAGE 110 VDC FOR CIRCUIT METERING AND PROTECTION, MOTOR SPRING CHARGE, CLOSE AND OPEN COIL, INDICATION, SHALL BE CONSIDERED SEPARATELY MCB BY VENDOR.
 - 8- CAPACITIVE VOLTAGE INDICATOR TO BE CONSIDERED FOR MV FEEDERS.
 - 9- CIRCUIT BREAKERS STATUS SHALL BE SENT TO BOTH DCS AND RCP.

ABBREVIATION

A	AMPERE
M	MOTOR
AS	AMMETER SWITCH
CT	CURRENT TRANSFORMER
Hz	HERTZ
IP	DEGREE OF PROTECTION BY ENCLOSURE
KA	KILO AMPERE
KV	KILO VOLT
KW	KILO WATT
MV	MEDIUM VOLTAGE
VS	VOLTMETER SWITCH
VI	VOLTAGE TRANSFORMER
KVA	KILOVOLT-AMPERE
KWH	KILOWATT-HOUR
VCB	VACUUM CIRCUIT BREAKER
TCS	TRIP COIL SUPERVISION
KVAR	KILOVAR
SWGR	SWITCH GEAR

REFERENCE DRAWING	DRG. No.
ELECTRICAL LOAD LIST	BK-CGS-PECCO-120-EL-13-0001
EQUIPMENT I.V. PITCHING/EXPANSION SINGLE LINE DIAGRAM	BK-CGS-PECCO-120-EL-0003

REV.	DATE	P.O.I.F.	PREP.	CHK.	APP.	AUT.
D05	MAY.2025	IFI	M.BAGHA	M.JUSSEMAN	A.L.MORONT	***
D04	DEC.2022	IFI	M.BAGHA	M.JUSSEMAN	A.L.MORONT	***
D03	JUL.2022	IFI	M.BAGHA	M.JUSSEMAN	A.L.MORONT	***
D02	APR.2022	IFI	M.BAGHA	M.JUSSEMAN	A.L.MORONT	***
D01	MAR.2022	IFI	M.BAGHA	M.JUSSEMAN	A.L.MORONT	***
D00	JAN.2022	IFI	M.BAGHA	M.JUSSEMAN	A.L.MORONT	***

PROJECT NAME: BINAK OILFIELD DEVELOPMENT/SURFACE FACILITIES GAS COMPRESSOR STATION

PROJECT NO.: 971020

EPC CONTRACTOR: IRISAN ENERGY - DESIGN & INSPECTION COMPANIES

EPD/EPC CONTRACTOR (GO): PETROIRAN DEVELOPMENT COMPANY

SCALE	SIZE	DRAWING NO.	BUDGET REF.	LOCATION	SIZE	CLASS	SERIAL NO.	REV.	SHEET	REVISION	
N.B.D	A3	BK-CGS-PECCO-120-EL-DC-0001	06 OF 07	D05	063-073-0164	P	2	P	709040	06 OF 07	D05

امثل و كليه اين نقشه و جز اوليائي مشافره به تركه در ملكه مافق تان غير جاري ميباشند

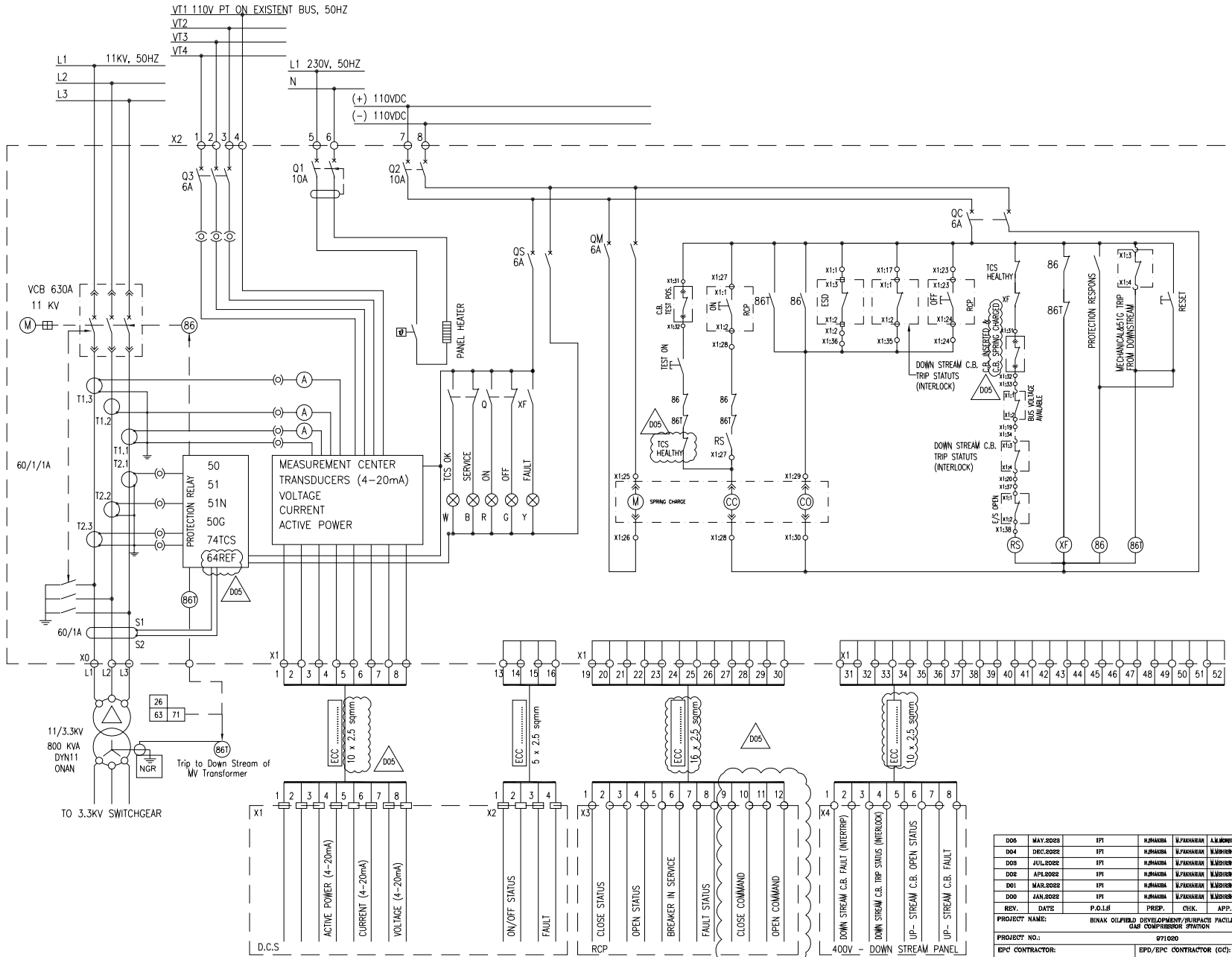
THE ORIGINAL AND ALL COPIES OF THIS DRAWING TOGETHER WITH THE COPYRIGHT THEREIN ARE THE SOLE PROPERTY OF N.I.S.O.C./ FIELDS

BINAK OILFIELD DEVELOPMENT SURFACE FACILITIES GAS COMPRESSOR STATION

DATE: _____ SCALE: _____ DRAWING BY: _____ CHECKED BY: _____ PROJECT ENG.:

NO CONSTRUCTION PERMITTED UNLESS DRAWING APPROVED

APPROVED FOR CONSTRUCTION BY: _____ DATE: _____



FIRE WATER TRANSFORMER OUTGOING: TYPE C5

- NOTES**
- 1- MAX. TWO WIRES SHOULD BE CONNECTED TO ONE TERMINAL.
 - 2- PANEL HEATER SHOULD BE INSTALLED IN SUITABLE POSITION.
 - 3- THE BURDEN OF C.T. & V.T. SHOULD BE FINALIZED BY PANEL MANUFACTURE.
 - 4- IN THE CASE OF MECHANICAL TRIP OF TRANSFORMER, SIGNAL RELAY 86 SHALL BE SENT TO DOWNSTREAM. IN OTHER WORDS VCB & ACB SHALL BE TRAPPED.
 - 5- FOR FIRE WATER PUMP WHICH WILL BE FED FROM 11/3.3 KV TRANSFORMER, A VOLTMETER SHALL BE CONSIDERED ON 3.3 SWITCHGEAR.
 - 6- VOLTAGE & CURRENT SAMPLE FOR CAPACITOR BANKS OF COMPRESSORS SHALL BE CONSIDERED BY VENDOR.
 - 7- SUPPLY VOLTAGE 230 VAC FOR CIRCUIT LIGHTING, SOCKET, SHALL BE CONSIDERED SEPARATELY MCB BY VENDOR. ALSO SUPPLY VOLTAGE 110 VDC FOR CIRCUIT METERING AND PROTECTION, MOTOR SPRING CHARGE, CLOSE AND OPEN COIL, INDICATION, SHALL BE CONSIDERED SEPARATELY MCB BY VENDOR.
 - 8- CAPACITIVE VOLTAGE INDICATOR TO BE CONSIDERED FOR MV FEEDERS.
 - 9- CIRCUIT BREAKERS STATUS SHALL BE SENT TO BOTH DCS AND RCP.

ABBREVIATION

A	AMPERE
M	MOTOR
AS	AMMETER SWITCH
CT	CURRENT TRANSFORMER
Hz	HERTZ
IP	DEGREE OF PROTECTION BY ENCLOSURE
KA	KILO AMPERE
KV	KILO VOLT
KW	KILO WATT
MV	MEDIUM VOLTAGE
VS	VOLTMETER SWITCH
VI	VOLTAGE TRANSFORMER
KVA	KILOVOLT-AMPERE
KWH	KILOWATT-HOUR
VCB	VACUUM CIRCUIT BREAKER
TCS	TRIP COIL SUPERVISION
KVAR	KILOVAR
SWGR	SWITCH GEAR

REFERENCE DRAWING	DRG. No.
ELECTRICAL LOAD LIST	BK-GCS-PECCO-120-EL-13-0001
EXPANSION BY PIPING/EXPANSION	BK-GCS-PECCO-120-EL-08-0003
BUNDLE LINE DIAGRAM	

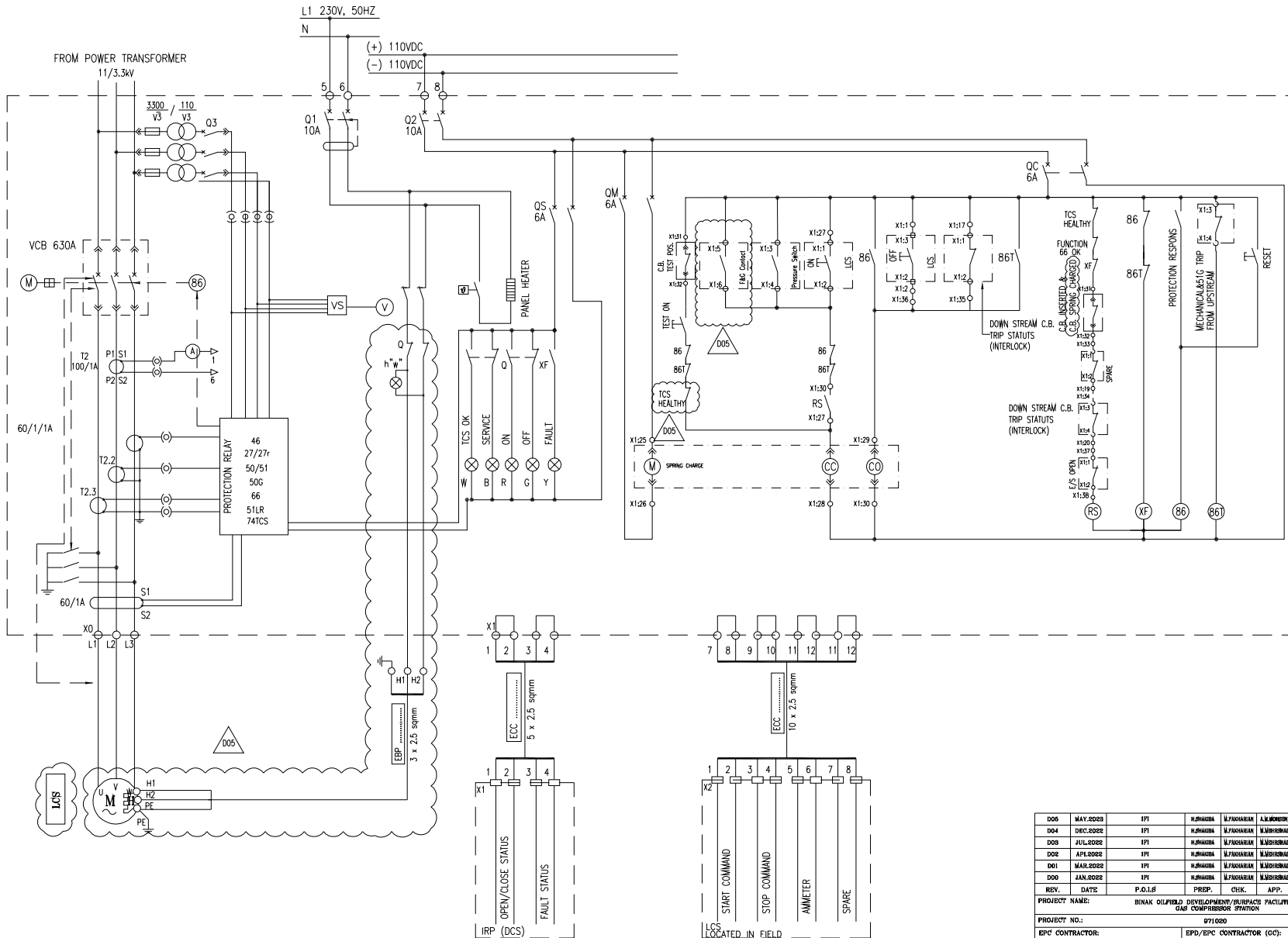
REV.	DATE	DESCRIPTION	BY	DATE	BY	DATE
006	MAY.2025	IF1	ELMABER	ELFADHMAN	ALMOMENT	**
004	DEC.2024	IF1	ELMABER	ELFADHMAN	ALMOMENT	**
003	JUL.2024	IF1	ELMABER	ELFADHMAN	ALMOMENT	**
002	APR.2024	IF1	ELMABER	ELFADHMAN	ALMOMENT	**
001	MAR.2024	IF1	ELMABER	ELFADHMAN	ALMOMENT	**
000	JAN.2024	IF1	ELMABER	ELFADHMAN	ALMOMENT	**

PROJECT NAME: BINAK OILFIELD DEVELOPMENT/SURFACE FACILITIES GAS COMPRESSOR STATION
 PROJECT NO.: 971020
 EPC CONTRACTOR: HIRGAN ENERGY - DESIGN & INSPECTION COMPANIES
 EPD/EPC CONTRACTOR (GO): PETROIRAN DEVELOPMENT COMPANY

DATE: _____ SCALE: _____ DRAWING BY: _____ CHECKED BY: _____
 APPROVED FOR CONSTRUCTION BY: _____ DATE: _____

(VENDOR TITLE BLOCK)

ELECTRICAL TYPICAL SCHEMATIC DIAGRAMS FOR MV PANEL									
SCALE	SIZE	DRAWING NO.		SHEET NO.		REV.		DATE	
N.T.B	A3	BK-GCS-PECCO-120-EL-DG-0001		08 OF 07		D06		063-073-0164	
BUDGET REF.	LOCATION	SIZE	CLASS	SERIAL NO.	SHEET	REVISION			
				709040	06 OF 07	D06			



FIRE WATER PUMP: TYPE C6

- NOTES**
- 1- MAX. TWO WIRES SHOULD BE CONNECTED TO ONE TERMINAL.
 - 2- PANEL HEATER SHOULD BE INSTALLED IN SUITABLE POSITION.
 - 3- THE BURDEN OF C.T. & V.T. SHOULD BE FINALIZED BY PANEL MANUFACTURE.
 - 4- IN THE CASE OF MECHANICAL TRIP OF TRANSFORMER, SIGNAL RELAY 86 SHALL BE SENT TO DOWNSTREAM. IN OTHER WORDS VCB & ACB SHALL BE TRAPPED.
 - 5- FOR FIRE WATER PUMP WHICH WILL BE FED FROM 11/3.3 KV TRANSFORMER, A VOLTMETER SHALL BE CONSIDERED ON 3.3 SWITCHGEAR.
 - 6- VOLTAGE & CURRENT SAMPLE FOR CAPACITOR BANKS OF COMPRESSORS SHALL BE CONSIDERED BY VENDOR.
 - 7- SUPPLY VOLTAGE 230 VAC FOR CIRCUIT LIGHTING, SOCKET, SHALL BE CONSIDERED SEPARATELY ICB BY VENDOR. ALSO SUPPLY VOLTAGE 110 VDC FOR CIRCUIT METERING AND PROTECTION, MOTOR SPRING CHARGE, CLOSE AND OPEN COIL, INDICATION, SHALL BE CONSIDERED SEPARATELY ICB BY VENDOR.
 - 8- CAPACITIVE VOLTAGE INDICATOR TO BE CONSIDERED FOR MV FEEDERS.
 - 9- CIRCUIT BREAKERS STATUS SHALL BE SENT TO BOTH DCS AND RCP.

ABBREVIATION

A	AMPERE
M	MOTOR
AS	AMMETER SWITCH
CT	CURRENT TRANSFORMER
Hz	HERTZ
IP	DEGREE OF PROTECTION BY ENCLOSURE
KA	KILO AMPERE
KV	KILO VOLT
KW	KILO WATT
MV	MEDIUM VOLTAGE
VS	VOLTMETER SWITCH
VI	VOLTAGE TRANSFORMER
KVA	KILOVOLT-AMPERE
KWH	KILOWATT-HOUR
VCB	VACUUM CIRCUIT BREAKER
TCS	TRIP COIL SUPERVISION
KVAR	KILOVAR
SWGR	SWITCH GEAR

REFERENCE DRAWING	DRG. No.
ELECTRICAL LOAD LIST	BK-GCS-PRDCO-120-EL-1A-0001
EQUIPMENT MV SWITCHGEAR EXPANSION SINGLE LINE DIAGRAM	BK-GCS-PRDCO-120-EL-05-0003

REV.	DATE	DESCRIPTION	BY	DATE	BY	DATE
DD6	MAY.2025	IFT	M. RAHMAN	M. JUSMAN	A. K. MOMENT	**
DD4	MAR.2025	IFT	M. RAHMAN	M. JUSMAN	M. USMAN	**
DD5	JUL.2025	IFT	M. RAHMAN	M. JUSMAN	M. USMAN	**
DD2	APR.2025	IFT	M. RAHMAN	M. JUSMAN	M. USMAN	**
DD1	MAR.2025	IFT	M. RAHMAN	M. JUSMAN	M. USMAN	**
DD0	JAN.2025	IFT	M. RAHMAN	M. JUSMAN	M. USMAN	**

PROJECT NAME: BINAK OILFIELD DEVELOPMENT/SURFACE FACILITIES GAS COMPRESSOR STATION

PROJECT NO.: 971020

EPC CONTRACTOR: HIRSHAN PETROIRAN DEVELOPMENT COMPANY

EPD/EPC CONTRACTOR (GO): PETROIRAN DEVELOPMENT COMPANY

امتل كلفه شيعه اين نقشه و شرح الفيزيائي مشتمله بر تركه دري مناطق فلد غير جاري ميباشند

THE ORIGINAL AND ALL COPIES OF THIS DRAWING TOGETHER WITH THE COPYRIGHT THEREIN ARE THE SOLE PROPERTY OF N.I.S.O.C./ FIELDS

BINAK OILFIELD DEVELOPMENT SURFACE FACILITIES GAS COMPRESSOR STATION

(VENDOR TITLE BLOCK)**

NO CONSTRUCTION PERMITTED UNLESS DRAWING APPROVED											
APPROVED FOR CONSTRUCTION						BY: DATE:					
SCALE	SIZE	DRAWING NO.		SHEET NO.	REV.	BUDGET REF.	LOCATION	SIZE	CLASS	SERIAL NO.	SHEET REVISION
N.B.	A3	BK-GCS-PRDCO-120-EL-DG-0001		07 OF 07	DD6	063-070-0164	P	2	P	709040	07 OF 07 DD6