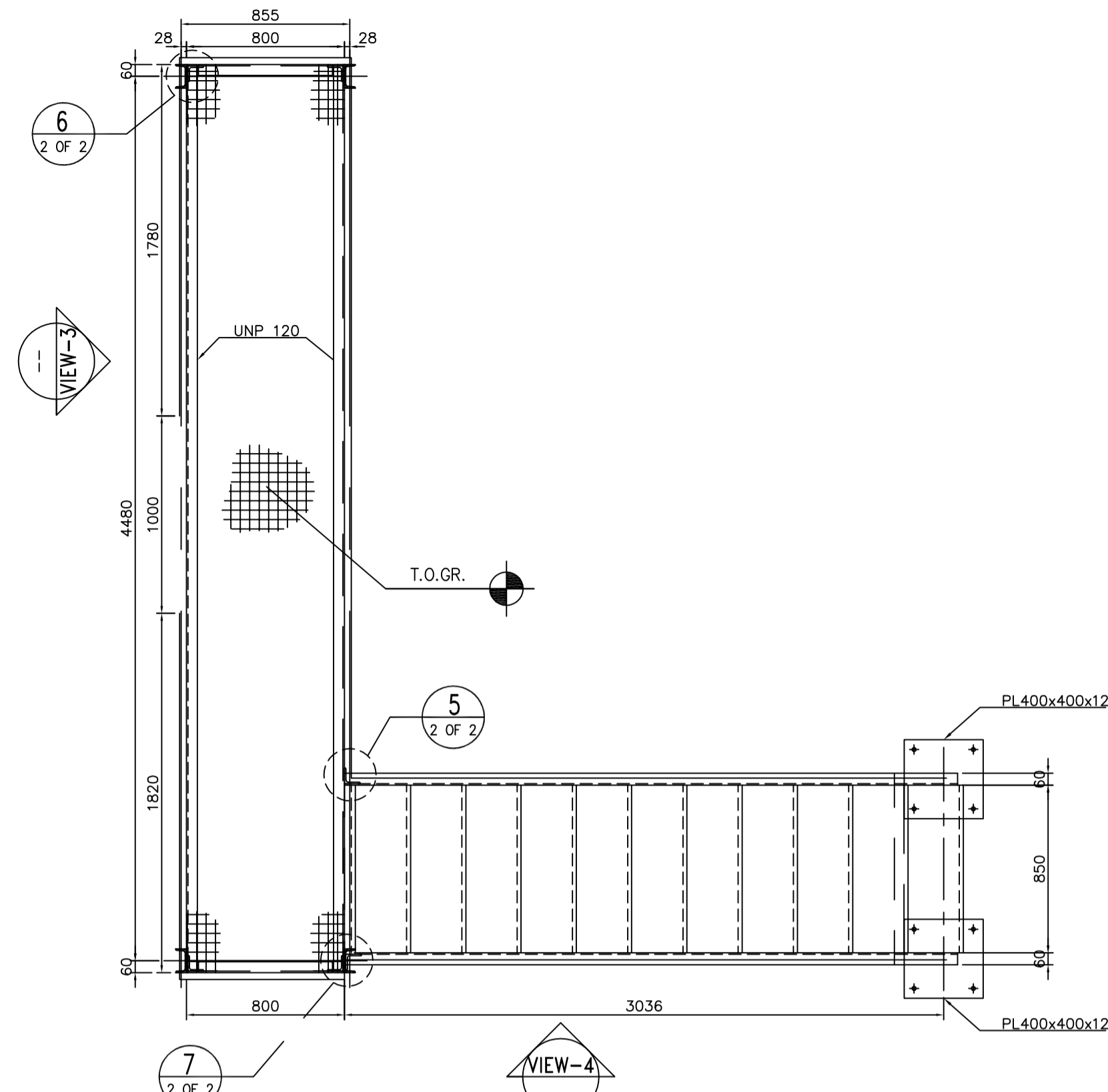


PLAN OF PLATFORM AT EL. -0.15

SC.1:25

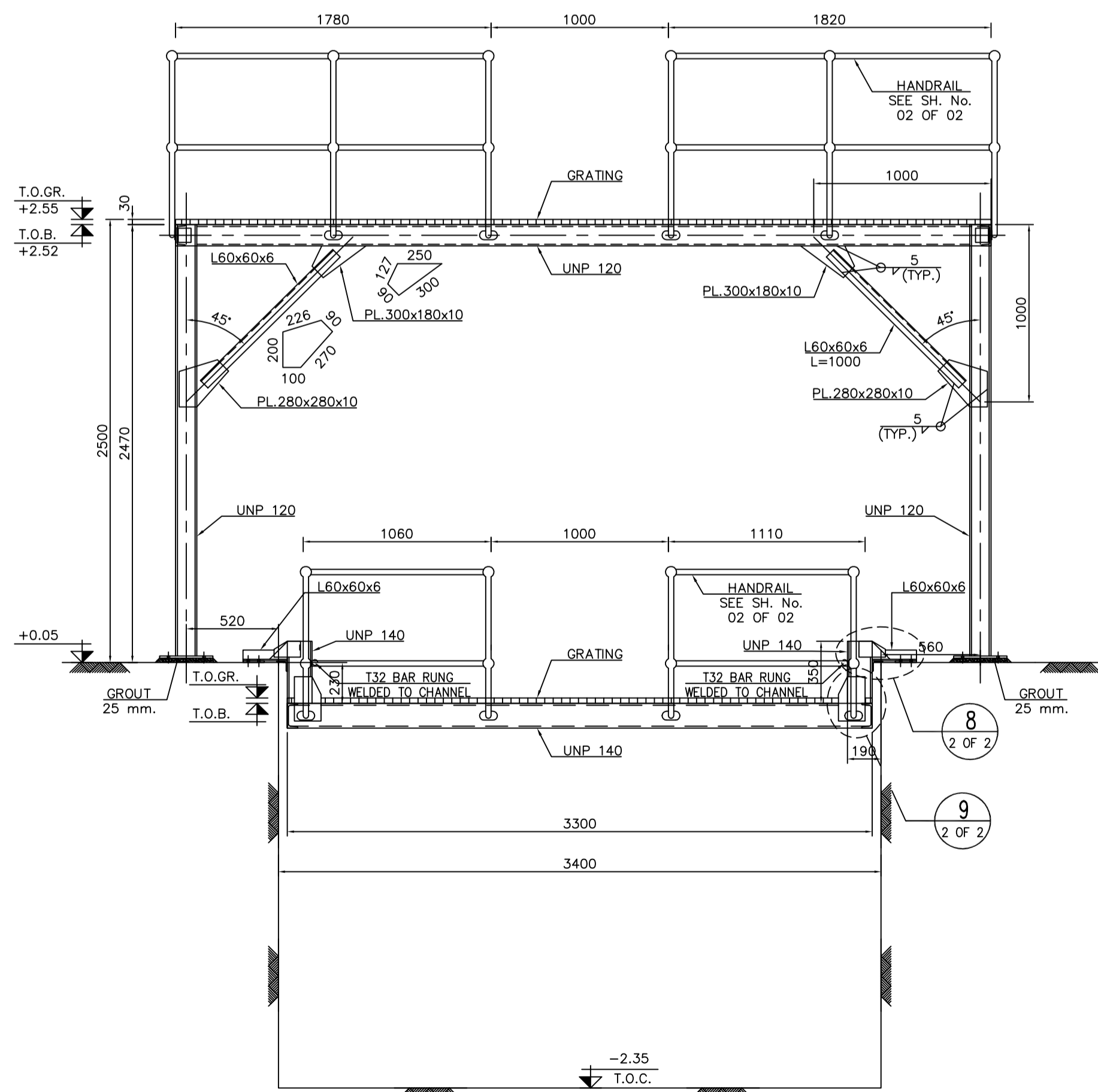
1



PLAN OF PLATFORM AT EL. +102.55

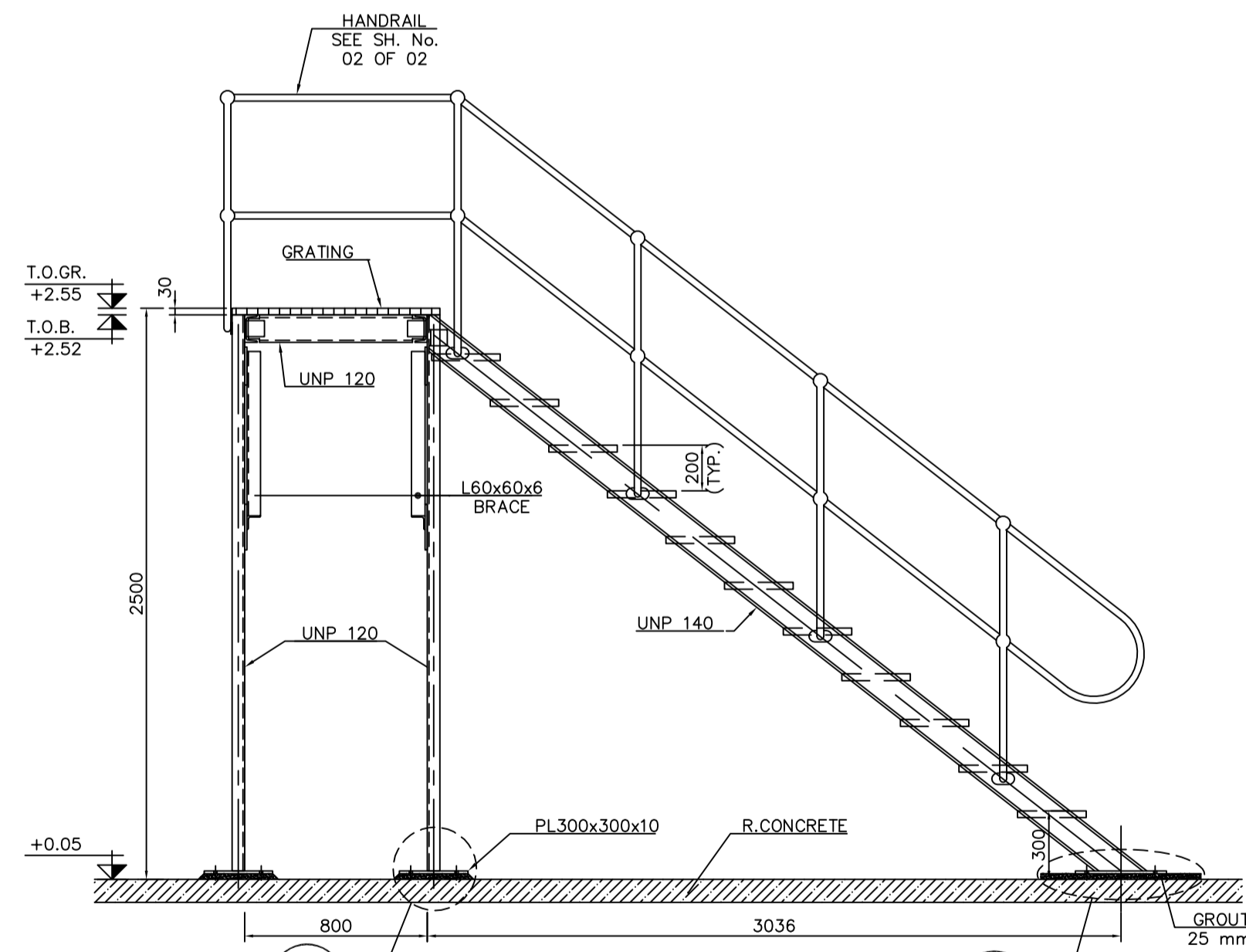
SC.1:25

2



3

SC.1:25



SC.1:25

4

- NOTES**
- 1) DIMENSIONS ARE IN "mm" AND ELEVATIONS IN "m" UNLESS SPECIFIED.
  - 2) ALL DIMENSIONS AND ELEVATIONS SHALL BE CHECKED BY THE CONTRACTOR PRIOR TO CONSTRUCTION.
  - 3) CONTRACTOR SHALL CHECK THE DRAWING WITH ALL ARCHITECTURAL, MECHANICAL, INSTRUMENT, PIPING & ELECTRICAL DRAWINGS BEFORE CONSTRUCTION AND ANY REQUIRED MODIFICATIONS SHALL BE CONSIDERED WITH PRIOR CLIENT APPROVAL.
  - 4) REFERENCE COORDINATES E=1000.000 , N=1000.000 REFER TO X=436603.958 , Y=3293647.903 UTM
  - 5) STRUCTURAL STEEL SHALL BE AS ISIRI 14282-2 (S235JR).
  - 6) WELDING PROCEDURE SHALL BE ACCORDING TO AWS D.1.1
  - 7) GRATING & STAIR TREADS SHALL BE HOT DIP GALVANIZED.
  - 8) ALL WELDING IS DONE ON SITE.

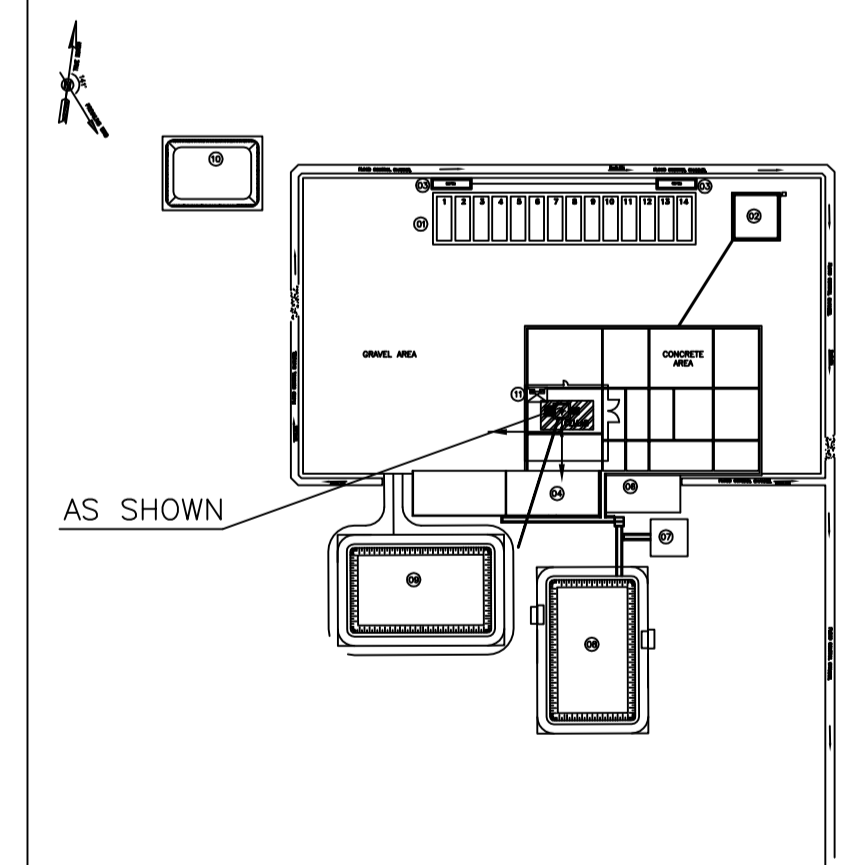
±0.00 = +29.05(R.G.L.)MSL

**LEGEND**

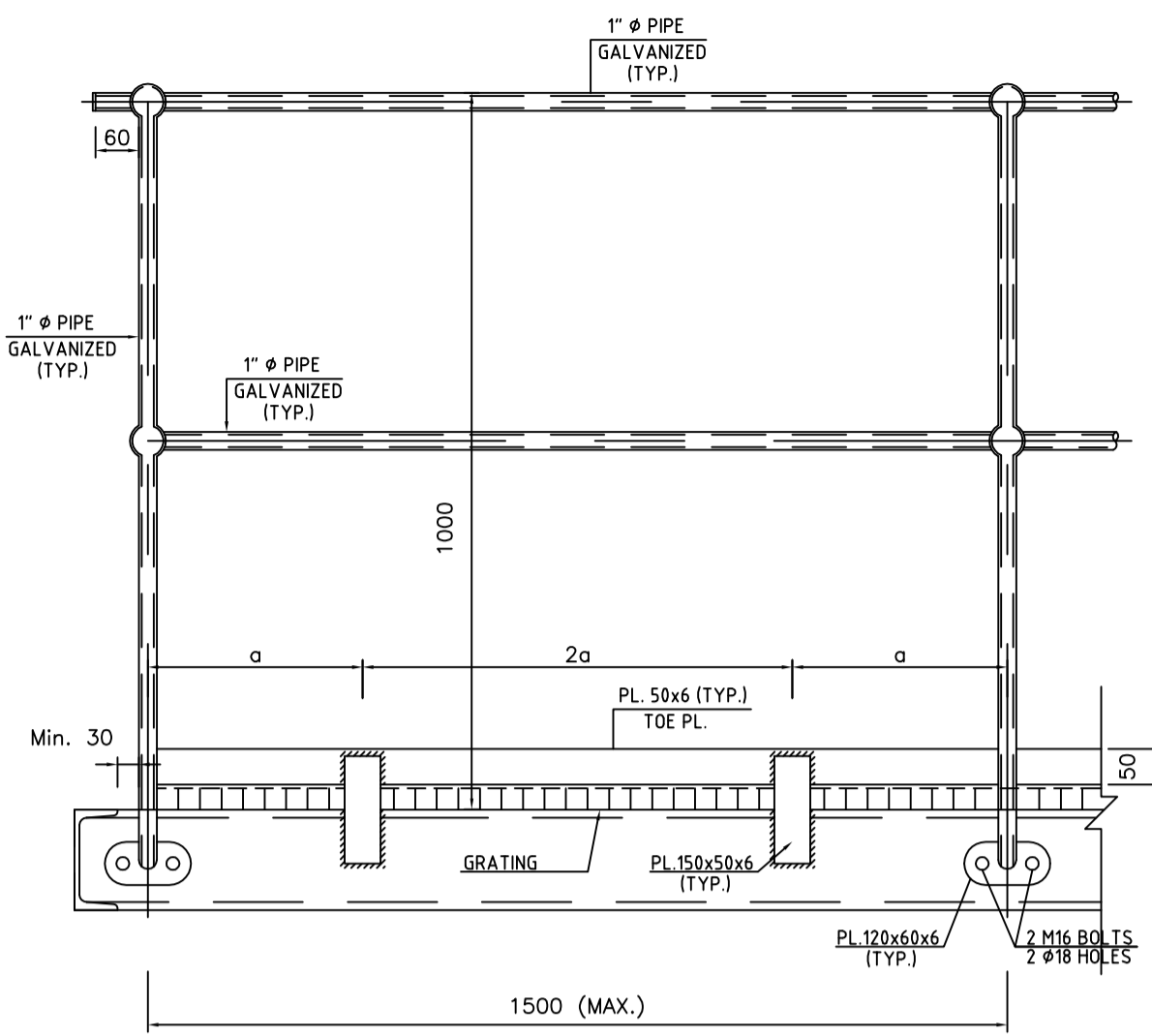
T.O.G.R. TOP OF GRATING  
T.O.C. TOP OF CONCRETE  
T.O.B. TOP OF BEAM

REFERENCE DRAWING	DRG. No.
STANDARD DRAWING FOR ANCHOR BOLTS	BK-GNRL-PEDCO-00-ST-DW-0002
STANDARD DRAWING FOR STEEL STAIRS	BK-GNRL-PEDCO-00-ST-DW-0003
STANDARD DRAWING FOR OPERATING PLATFORM	BK-GNRL-PEDCO-00-ST-DW-0005
STANDARD DRAWING FOR HANDRAIL	BK-GNRL-PEDCO-00-ST-DW-0006
GENERAL NOTES - STEEL STRUCTURES	BK-GNRL-PEDCO-00-ST-DW-0011
GENERAL NOTES - REINFORCED CONCRETE STRUCTURES	BK-GNRL-PEDCO-00-ST-DW-0012
STANDARD DRAWING FOR STEEL FLOORING , GRATING & CHEQUERED PLATE	BK-GNRL-PEDCO-00-ST-DW-0015
SPECIFICATION FOR PAINTING	BK-GNRL-PEDCO-00-PI-SP-0006

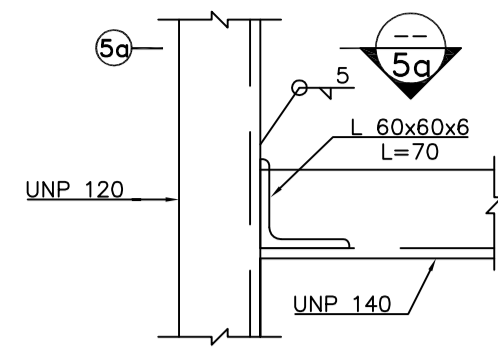
**KEY PLAN**



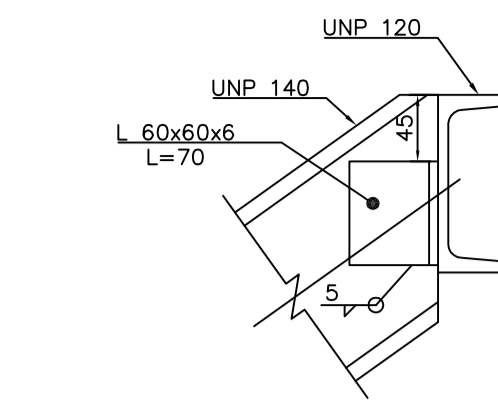
REV.	DESCRIPTION	BY	DATE	CHECKED	REV. APPR.	
DOO	MAY.2023	IFC	R.RERLOUIE	M.PAKHARIAN	A.M.MOHSENI	***
REV.	DATE	P.O.I.S	PREP.	CHK.	APP.	AUT.
PROJECT NAME: BINAK OILFIELD DEVELOPMENT/SUB-SURFACE WORK PACKAGES W035 WELLHEAD FACILITIES						
PROJECT NO.: 971020						
EPC CONTRACTOR:			EPD/EPC CONTRACTOR (GC):			
 HIRGAN ENERGY - DESIGN & INSPECTION COMPANIES			 PETROIRAN DEVELOPMENT COMPANY			
DATE	SCALE	DRAWING BY	CHECKED BY	PROJECT ENG.		
DRAWING TITLE: PLATFORM STRUCTURE DRAWING - W035						
NO CONSTRUCTION PERMITTED UNLESS DRAWING APPROVED						
APPROVED FOR CONSTRUCTION			BY:		DATE:	
SCALE	SIZE	DRAWING NO.	SHEET NO.	REV.	BUDGET REF.	LOCATION
N.T.S.	A1	BK-W035-PEDCO-110-ST-DW-0002	1 OF 2	DOO	053-073-9184	F
CLASS	SERIAL NO.	SHEET	REVISION			
M	707782	1 OF 2	DOO			



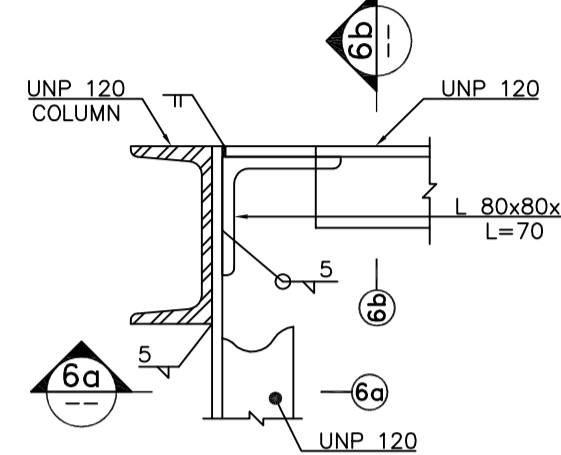
TYPICAL FIXED HANDRAIL  
SC.110



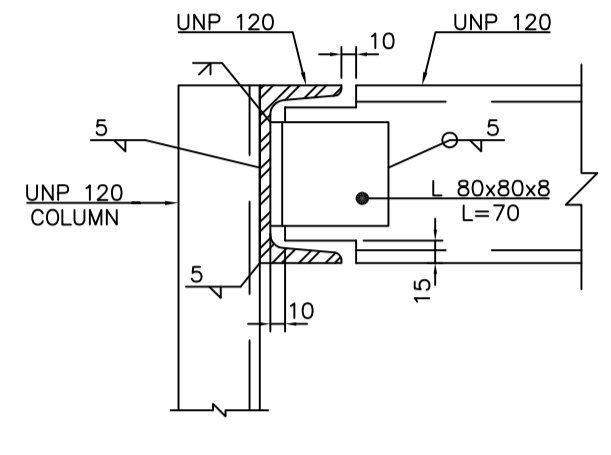
5  
SC.1:5 1 OF 2



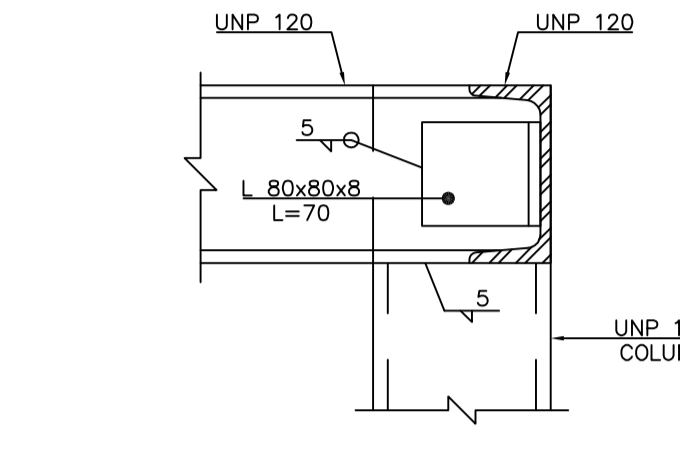
5a  
SC.1:5



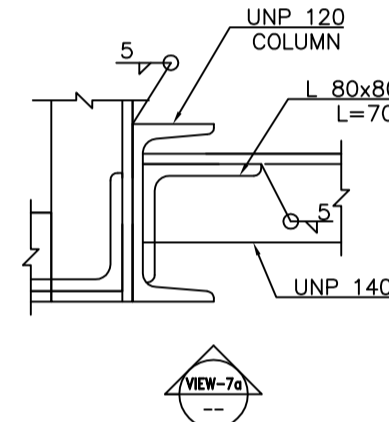
6  
SC.1:5 1 OF 2



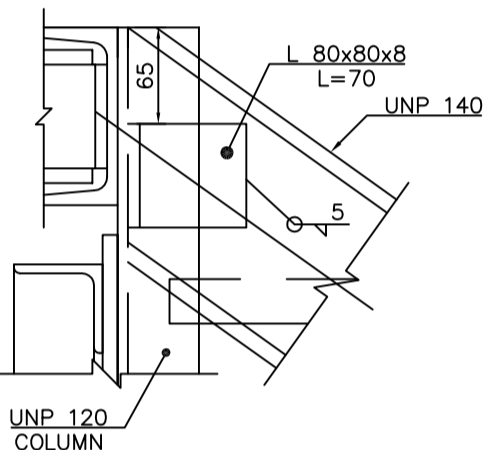
6a  
SC.1:5



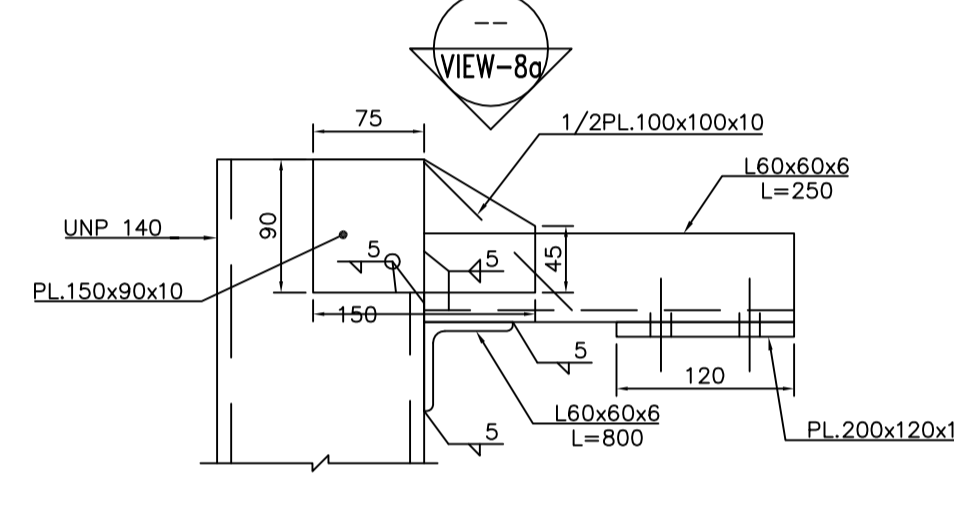
6b  
SC.1:5



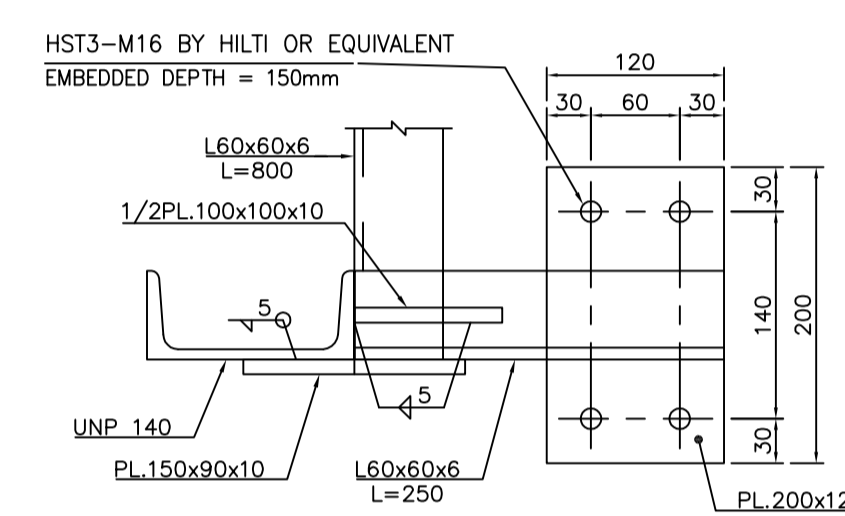
7  
SC.1:5 1 OF 2



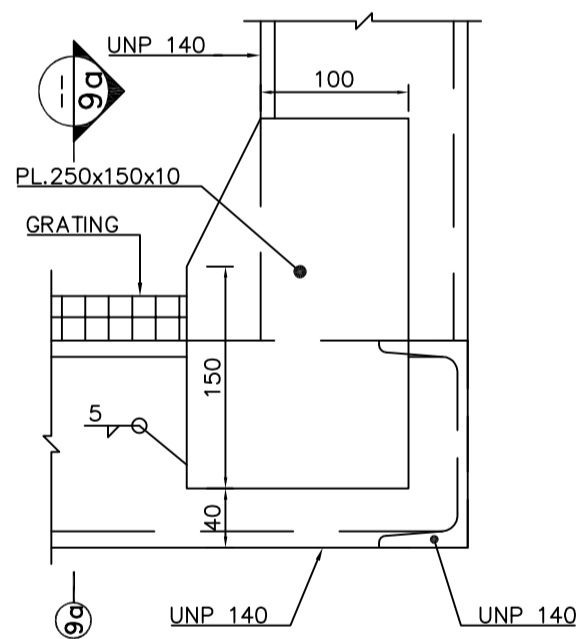
7a  
SC.1:5



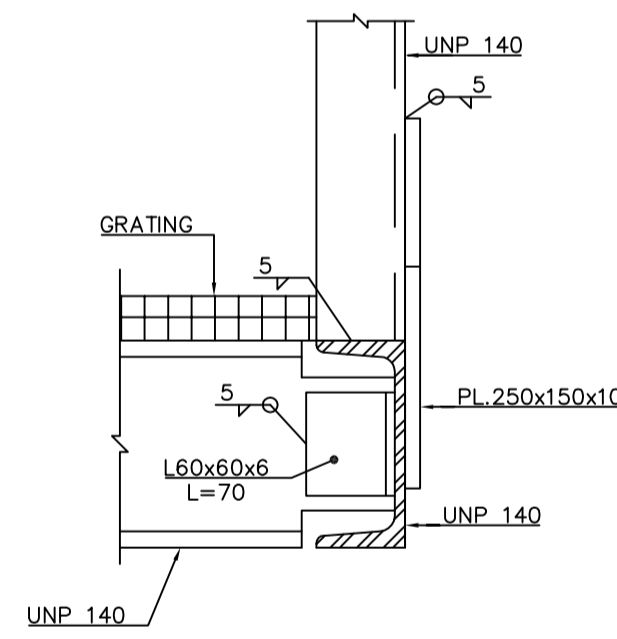
8  
SC.1:5 1 OF 2



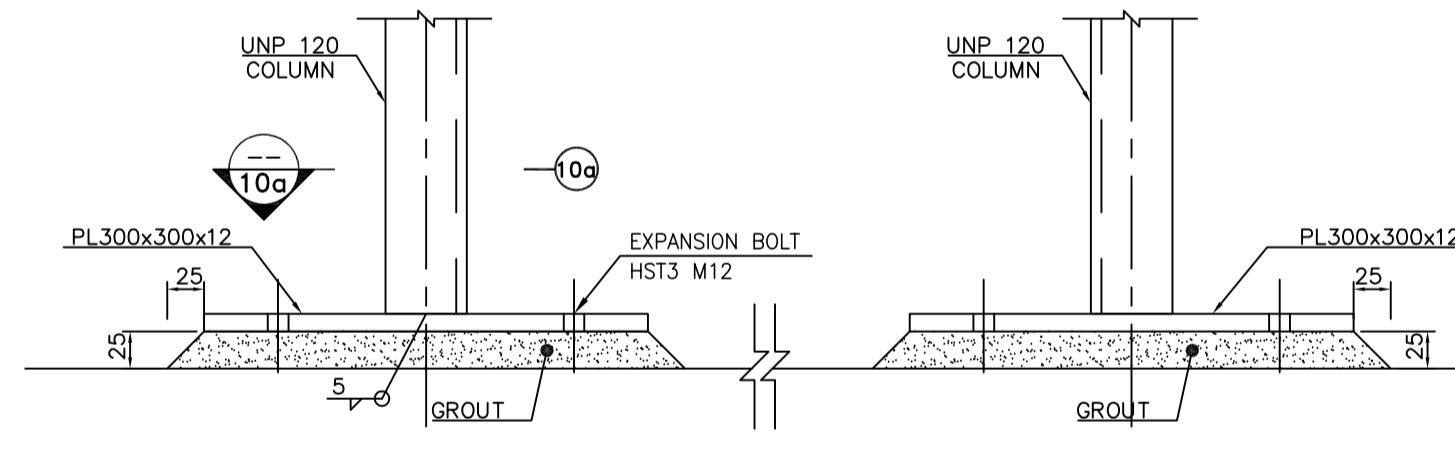
8a  
SC.1:5



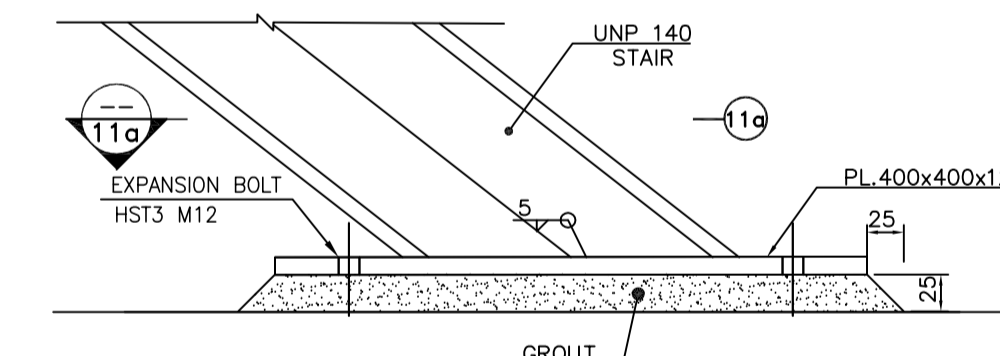
9  
SC.1:5 1 OF 2



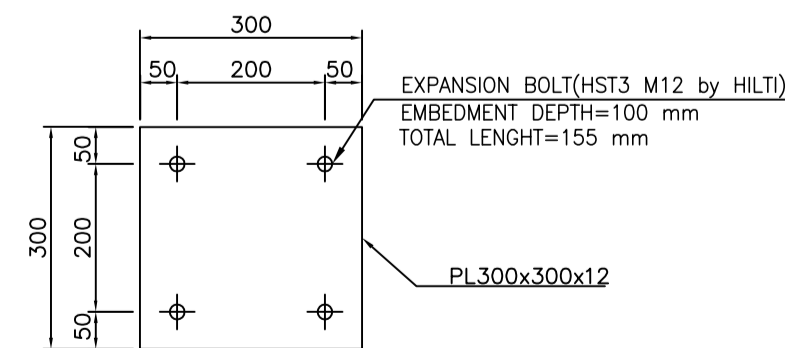
9a  
SC.1:5



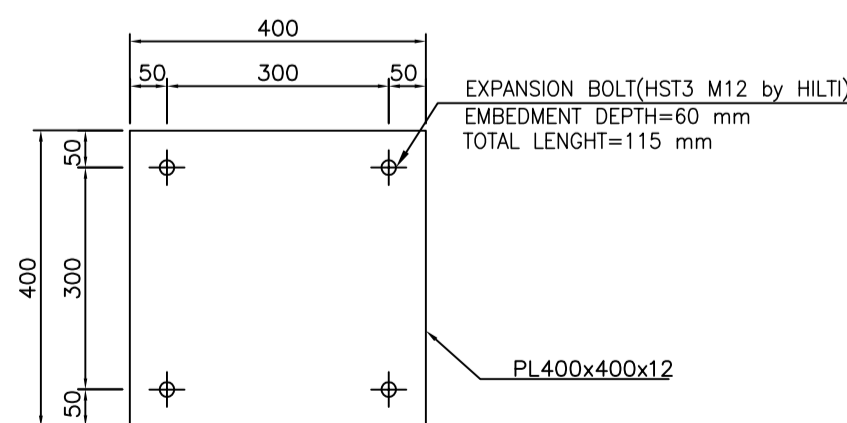
10  
SC.1:5 1 OF 2



11  
SC.1:5 1 OF 2



10a  
SC.1:10



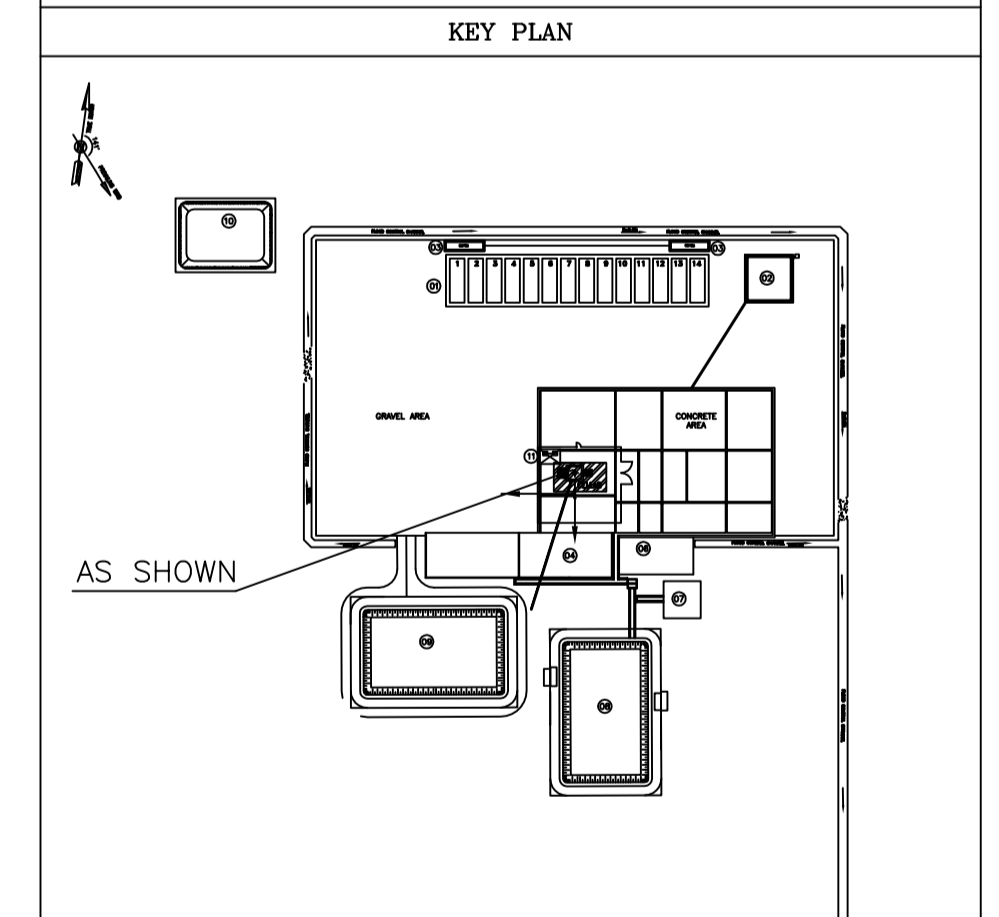
11a  
SC.1:10

- NOTES
- 1) DIMENSIONS ARE IN "mm" AND ELEVATIONS IN "m" UNLESS SPECIFIED.
  - 2) ALL DIMENSIONS AND ELEVATIONS SHALL BE CHECKED BY THE CONTRACTOR PRIOR TO CONSTRUCTION.
  - 3) CONTRACTOR SHALL CHECK THE DRAWING WITH ALL ARCHITECTURAL, MECHANICAL, INSTRUMENT, PIPING & ELECTRICAL DRAWINGS BEFORE CONSTRUCTION AND ANY REQUIRED MODIFICATIONS SHALL BE CONSIDERED WITH PRIOR CLIENT APPROVAL.
  - 4) REFERENCE COORDINATES E=1000.000 , N=1000.000 REFER TO X=437126.261 , Y=3283090.751 UTM
  - 5) STRUCTURAL STEEL SHALL BE AS ISIRI 14282-2 (S235JR).
  - 6) WELDING PROCEDURE SHALL BE ACCORDING TO AWS D.1.1
  - 7) GRATING & STAIR TREADS SHALL BE HOT DIP GALVANIZED.
  - 8) ALL CORNER WELDING IS DONE ON SITE.

LEGEND

T.O.GR.	TOP OF GRATING
T.O.C.	TOP OF CONCRETE
T.O.B.	TOP OF BEAM

REFERENCE DRAWING	DRG. No.
STANDARD DRAWING FOR ANCHOR BOLTS	BK-GNRL-PEDCO-00-ST-DW-0002
STANDARD DRAWING FOR STEEL STAIRS	BK-GNRL-PEDCO-00-ST-DW-0003
STANDARD DRAWING FOR OPERATING PLATFORM	BK-GNRL-PEDCO-00-ST-DW-0005
STANDARD DRAWING FOR HANDRAIL	BK-GNRL-PEDCO-00-ST-DW-0006
GENERAL NOTES - STEEL STRUCTURES	BK-GNRL-PEDCO-00-ST-DW-0011
GENERAL NOTES - REINFORCED CONCRETE STRUCTURES	BK-GNRL-PEDCO-00-ST-DW-0012
STANDARD DRAWING FOR STEEL FLOORING , GRATING & CHEQUERED PLATE	BK-GNRL-PEDCO-00-ST-DW-0015
SPECIFICATION FOR PAINTING	BK-GNRL-PEDCO-00-PI-SP-0006



REV.	DATE	DESCRIPTION	BY	DATE	BY	DATE
DOO	MAY.2023	IFC	R.BERLOUE	M.PAKHARIAN	A.M.MOHSENI	***
REV.	DATE	P.O.I.S	PREP.	CHK.	APP.	AUT.
PROJECT NAME: BINAK OILFIELD DEVELOPMENT/SUB-SURFACE WORK PACKAGES W035 WELLHEAD FACILITIES						
PROJECT NO.: 971020						
EPC CONTRACTOR:			EPD/EPC CONTRACTOR (GC):			
 HIRGAN ENERGY - DESIGN & INSPECTION COMPANIES			 PETROIRAN DEVELOPMENT COMPANY			
DRAWING TITLE: PLATFORM STRUCTURE DRAWING - W035						
NO CONSTRUCTION PERMITTED UNLESS DRAWING APPROVED						
APPROVED FOR CONSTRUCTION BY: DATE:						
SCALE	SIZE	DRAWING NO.	SHEET NO.	REV.	BUDGET REF.	LOCATION
N.T.S.	A1	BK-W035-PEDCO-110-ST-DW-0002	2 OF 2	DOO	053-073-9184	F
DATE	SCALE	DRAWING BY	CHECKED BY	PROJECT ENG.		
					CLASS	SERIAL NO.
					M	707782
					SHEET	REVISION
					2 OF 2	DOO