

**WELLHEAD PLOT PLAN**

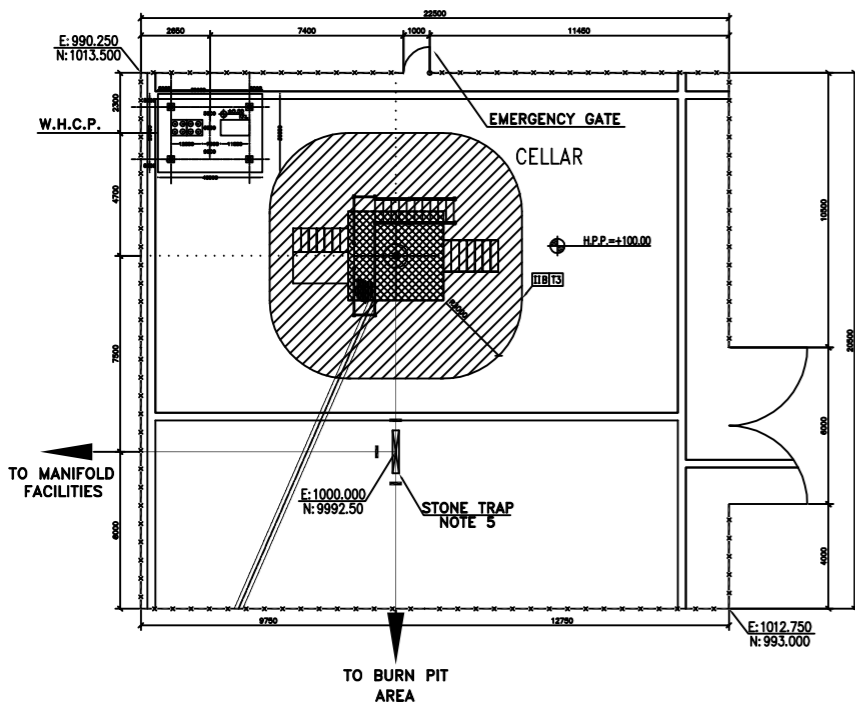
WELL NO.: W008N SC: 1/500

- NOTES**
- 1- ALL DIMENSIONS ARE IN MILLIMETERS, EXCEPT OTHERWISE NOTED.
  - 2- ALL COORDINATES AND ELEVATIONS ARE IN METERS.
  - 3- ALL COORDINATES OF THIS PLAN ARE LOCAL.
  - 4- THE AREA AROUND VALVE OPERATORS UTILIZING FLAMMABLE GAS OR FLUID AS THE POWER MEDIUM IN A NON-ENCLOSED ADEQUATELY VENTILATED AREA IS CLASSIFIED ZONE 2 WITHIN 0.5 METERS OF THE OPERATOR PROVIDED ALL VENTS ARE EXTENDED TO THE OUTSIDE OF THE AREA.

**LEGEND & ABBREVIATIONS**

SYMBOLS	DESCRIPTION
[Pattern]	ZONE 0
[Pattern]	ZONE 1
[Pattern]	ZONE 2
[Symbol]	GAS GROUP AND TEMPERATURE CLASS

REFERENCE DRAWING	DRG. No.
PLOT PLAN DRAWING - W008N	BK-W008-PEDCO-110-PI-DW-0001
HAZARD SOURCE LIST - W008N	BK-W008-PEDCO-110-SA-LI-0001



**DETAIL A**

SC: 1/100

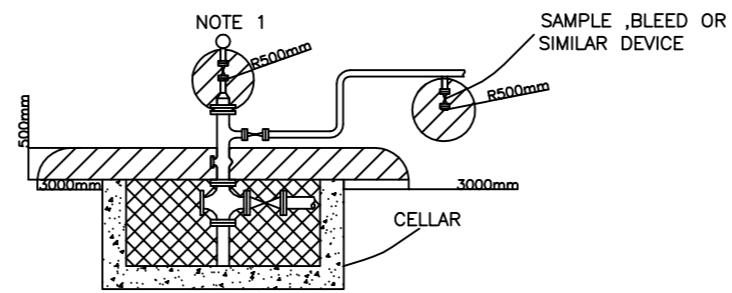


Figure 40-Flowing Well in a Non-enclosed, Adequately Ventilated Area with an Inadequately Ventilated Cellar or Below-grade Sump

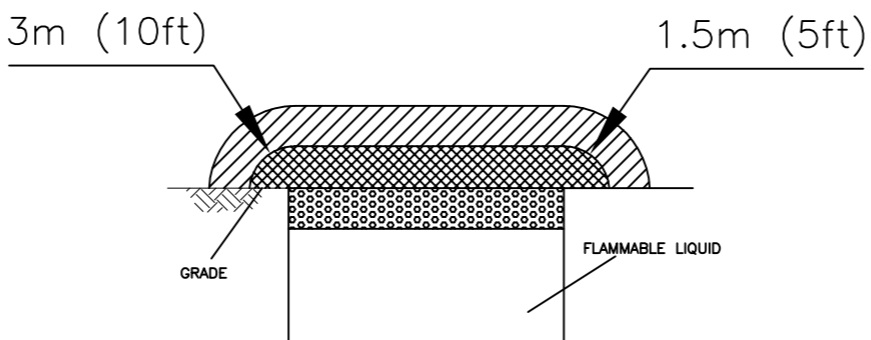
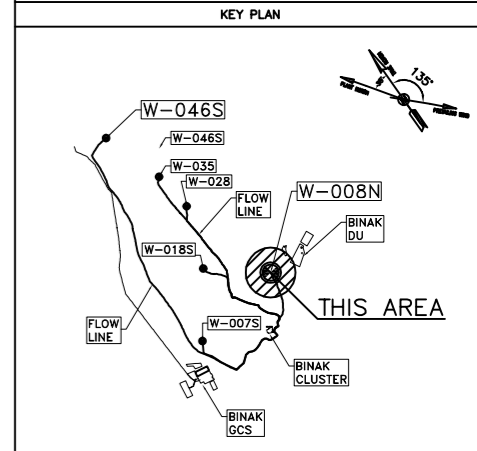


Figure 57. Open Sump in Nonenclosed Adequately Ventilated Area



REV.	DATE	P.O.I.S	PREP.	CHK.	APP.	AUT.	DESCRIPTION	BY	DATE	BY	DATE	
DOO	JUN.2023	IFC	AHSABER	MFMHARIAM	ALMOMSEN	** **						
PROJECT NAME: BINAK OILFIELD DEVELOPMENT/SUB-SURFACE WORK PACKAGES W008N WELLHEAD FACILITIES							<p>عمل و كليه نسخ اين نقشه و حق اقتباس متعلق به شركت ماز مناطق نفت خيز جنوب ميباشد.</p> <p>THE ORIGINAL AND ALL COPIES OF THIS DRAWING TOGETHER WITH THE COPYRIGHT THEREIN ARE THE SOLE PROPERTY OF N.I.S.O.C./ FIELDS</p>					
PROJECT NO.: 971020							<p><b>BINAK OILFIELD DEVELOPMENT SUB-SURFACE WORK PACKAGES W008N WELLHEAD FACILITIES</b></p>					
EPC CONTRACTOR: HIRGAN ENERGY - DESIGN & INSPECTION COMPANIES				GENERAL CONTRACTOR: PETROIRAN DEVELOPMENT COMPANY				<p>DATE SCALE DRAWING BY CHECKED BY PROJECT ENG.</p>				
DRAWING TITLE: HAZARDOUS AREA CLASSIFICATION LAYOUT- W008N							<p>NO CONSTRUCTION PERMITTED UNLESS DRAWING APPROVED</p>					
APPROVED FOR CONSTRUCTION							BY:		DATE:			
SCALE	SIZE	DRAWING NO.		SHEET NO.	REV.	BUDGET REF.	LOCATION	SIZE	CLASS	SERIAL NO.	SHEET REVISION	
AS SHOWN	A3	BK-W008N-PEDCO-110-SA-PY-0001		1 OF 1	DOO	053-073-9184	F	2	L	707856	1 OF 1 DOO	