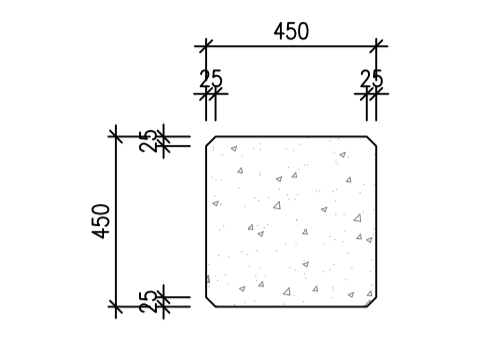
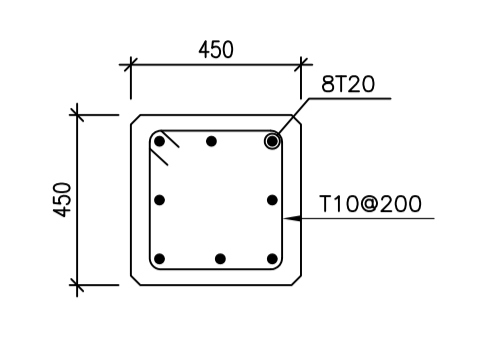


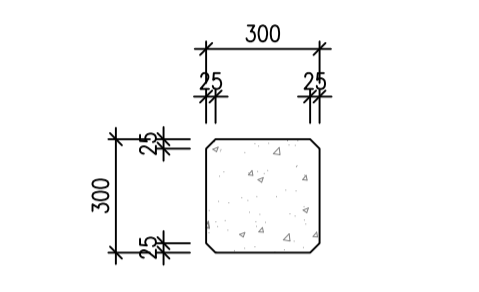
1:100 COLUMN LAYOUT PLAN



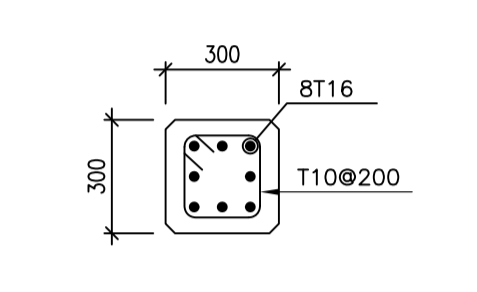
1:20 8



1:20 9



1:20 10



1:20 11

- NOTES**
- 1) ALL ELEVATIONS AND COORDINATES ARE IN "m" AND DIMENSIONS ARE IN "mm" UNLESS OTHERWISE NOTED.
 - 2) ALL DIMENSIONS AND ELEVATIONS SHALL BE CHECKED BY THE CONTRACTOR PRIOR TO CONSTRUCTION.
 - 3) ACCORDING TO THE SPECIFICATION OF CONCRETE WORKS: "BK-GNRL-PEDCO-000-ST-SP-0001", 28 DAYS CHARACTERISTIC COMPRESSIVE STRENGTH OF MAIN CONCRETE IS 30 MPa
 - 4) ACCORDING TO THE SPECIFICATION OF CONCRETE WORKS: "BK-GNRL-PEDCO-000-ST-SP-0001", 28 DAYS CHARACTERISTIC COMPRESSIVE STRENGTH OF LEAN CONCRETE IS 15 MPa
 - 5) REINFORCING BARS SHALL BE S400 ACCORDING TO: ISIRI3132 AND INBC9 WITH MINIMUM TENSILE YIELD STRENGTH 400 N/mm²
 - 6) CONCRETE COVER OVER BARS SHALL BE 75mm FOR FOUNDATION AND 50mm FOR BEAMS & COLUMNS.
 - 7) UNDERGROUND CONCRETE SHALL BE PROTECTED AND COATED ACCORDING TO RELEVANT SPECIFICATION.
 - 8) CEMENT TYPE 2 SHALL BE USED ACCORDING TO GEOTECHNICAL REPORT SUGGESTION.

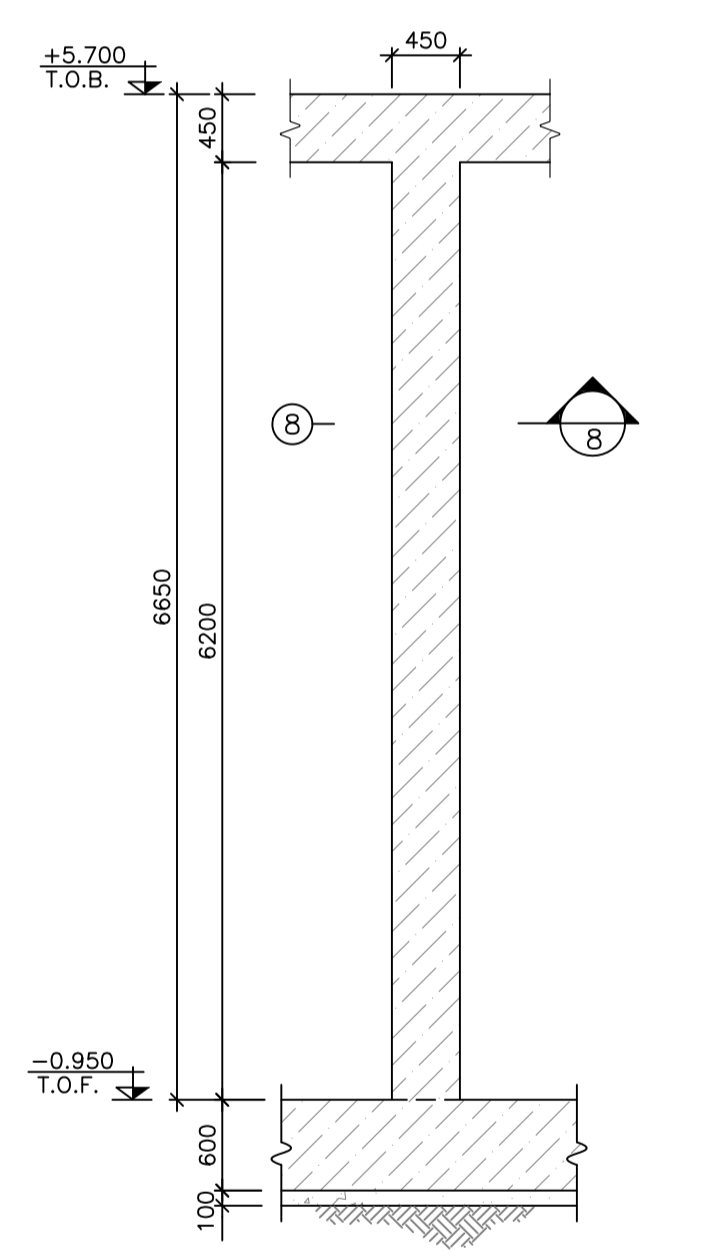
±0.00 = +26.00(F.G.L)MSL

LEGEND

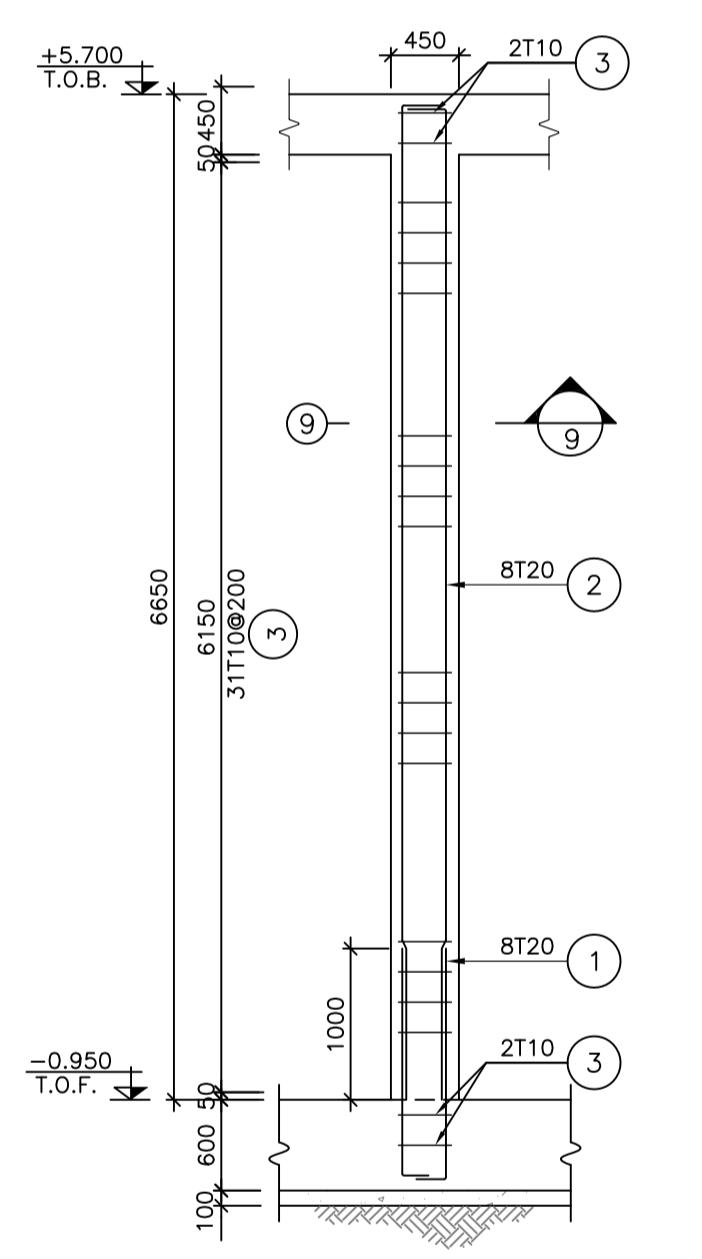
F.G.L. : FINISH GROUND LEVEL
T.O.F. : TOP OF FOUNDATION
B.O.B. : BOTTOM OF BASEPLATE
T.O.B. : TOP OF BEAM

	REINFORCED CONCRETE
	LEAN CONCRETE
	GROUND

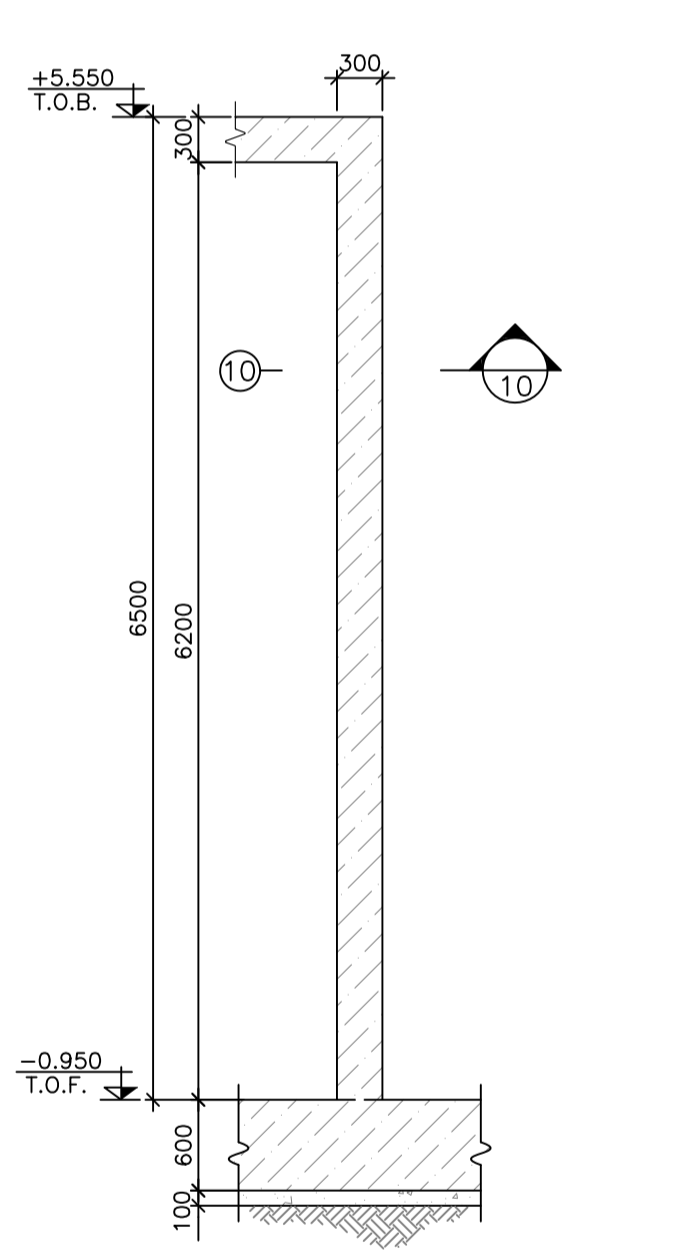
REFERENCE DRAWING	DRG. No.
ARCHITECTURAL DRAWING FOR SWITCHGEAR BUILDING OF WELLPADS-W007S	BK-W007S-PEDCO-110-AR-DW-0003
FOUNDATION DRAWING FOR SWITCHGEAR BUILDING FOR WELLPADS-W007S	BK-W007S-PEDCO-110-ST-DW-0010
GENERAL NOTES-REINFORCED CONCRETE STRUCTURES	BK-GNRL-PEDCO-000-ST-DW-0012
STANDARD DRAWING FOR INSERT PLATES IN CONCRETE	BK-GNRL-PEDCO-000-ST-DW-0007
PLOT PLAN DRAWING -W007S	BK-W007S-PEDCO-110-PI-PY-0002
GENERAL CIVIL LAYOUT- W007S	BK-W007S-PEDCO-110-CV-PY-0001



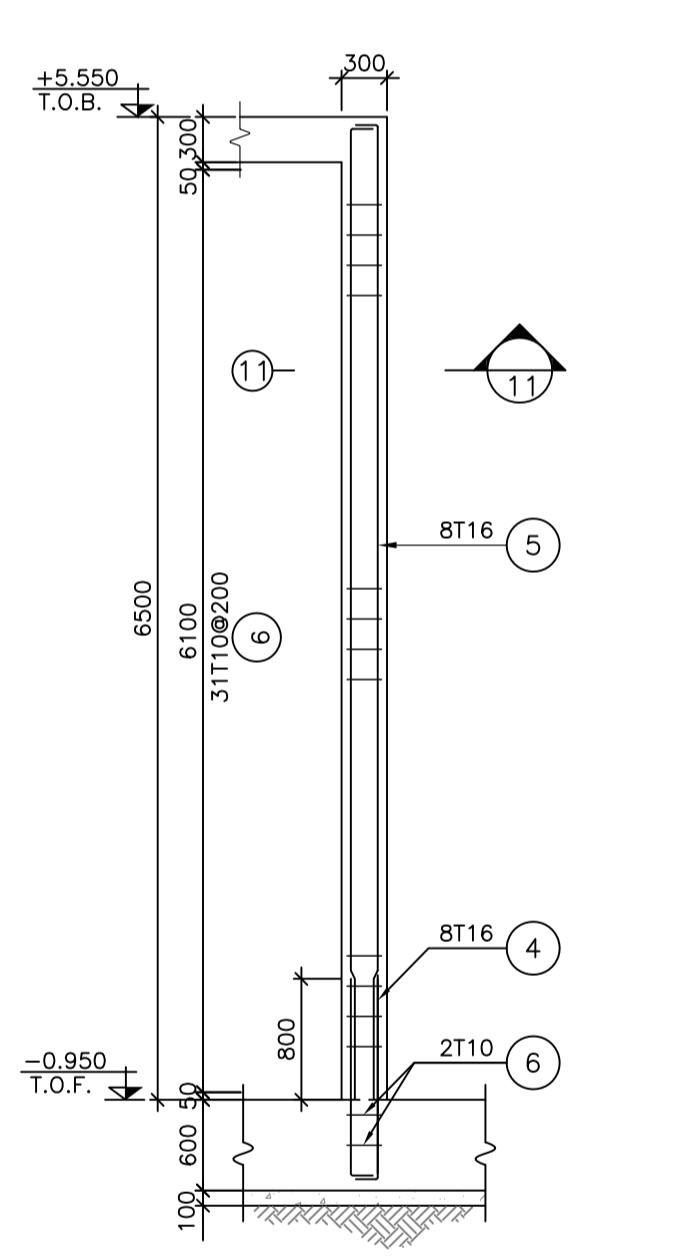
1:50 2 COLUMN TYPE C1 FORMWORK N=8



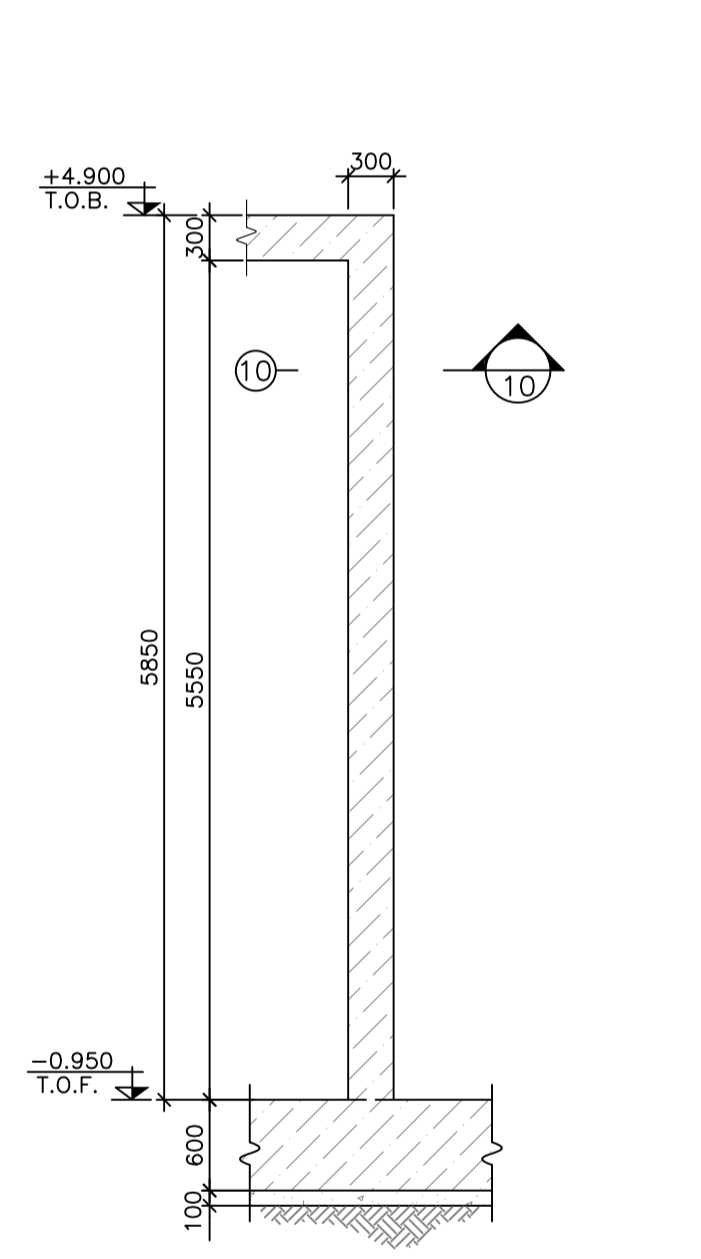
1:50 3 COLUMN TYPE C1 REINFORCEMENT



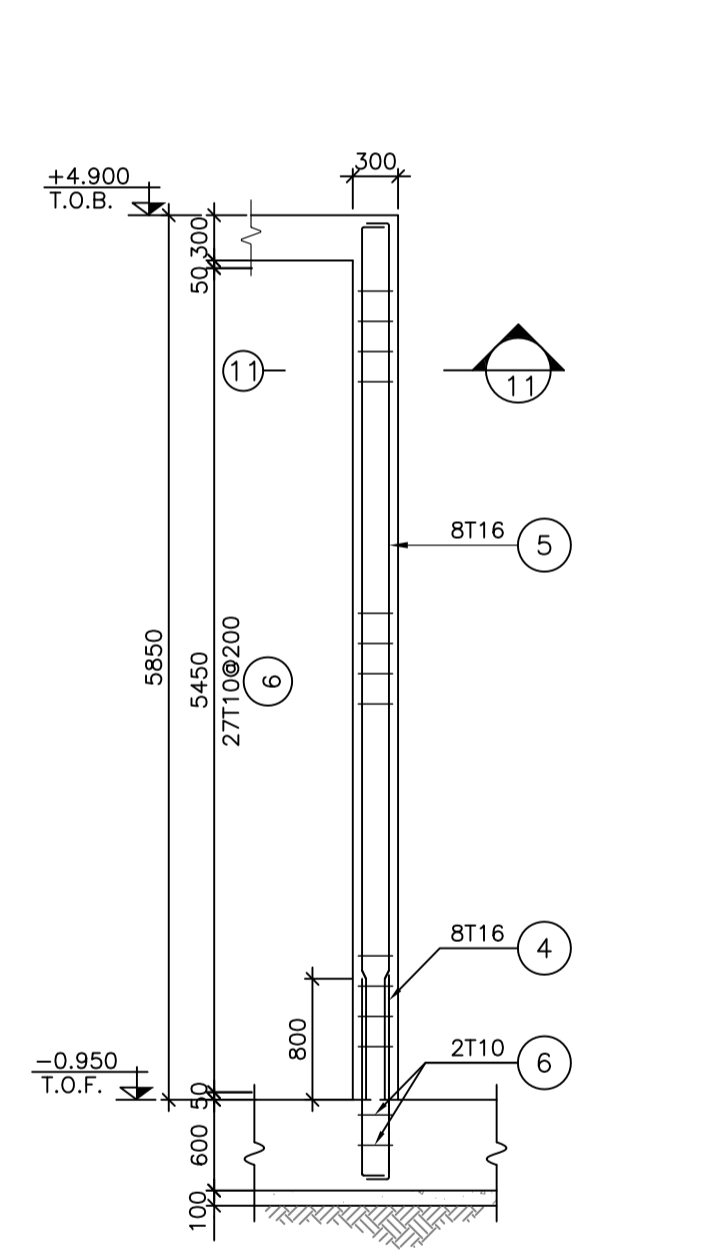
1:50 4 COLUMN TYPE C2 FORMWORK N=2



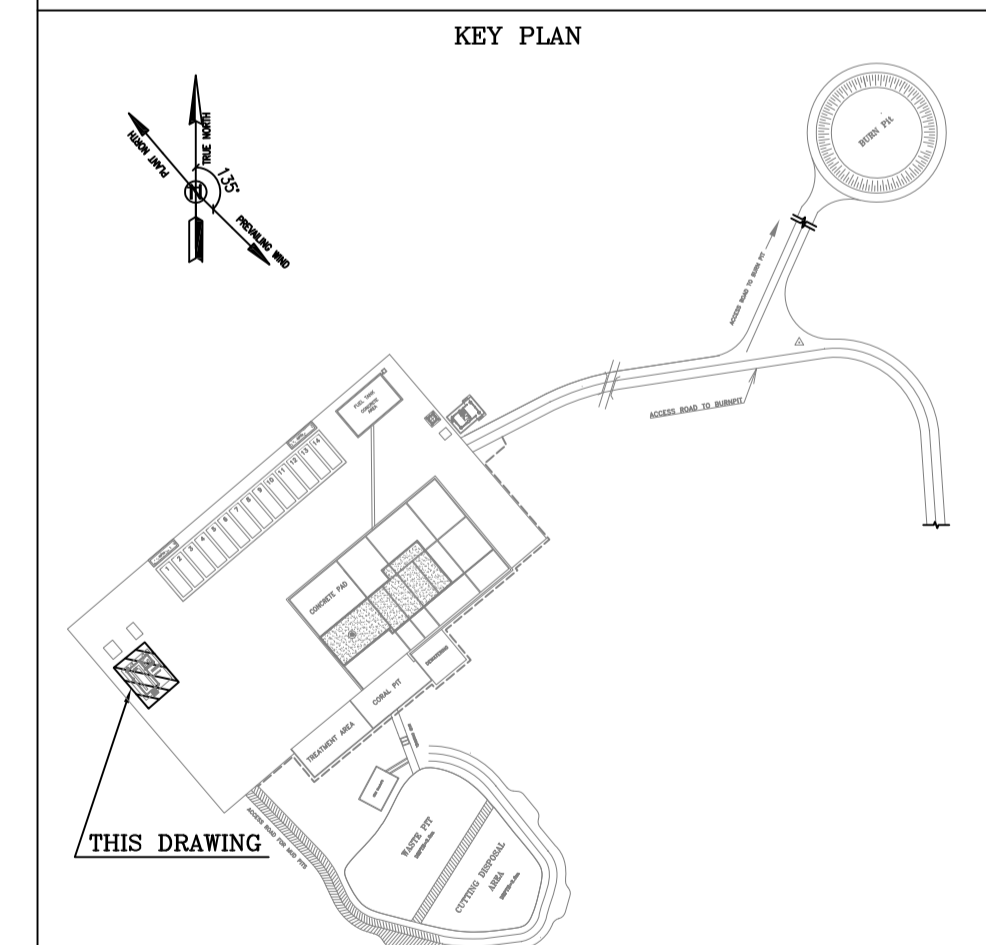
1:50 5 COLUMN TYPE C2 REINFORCEMENT



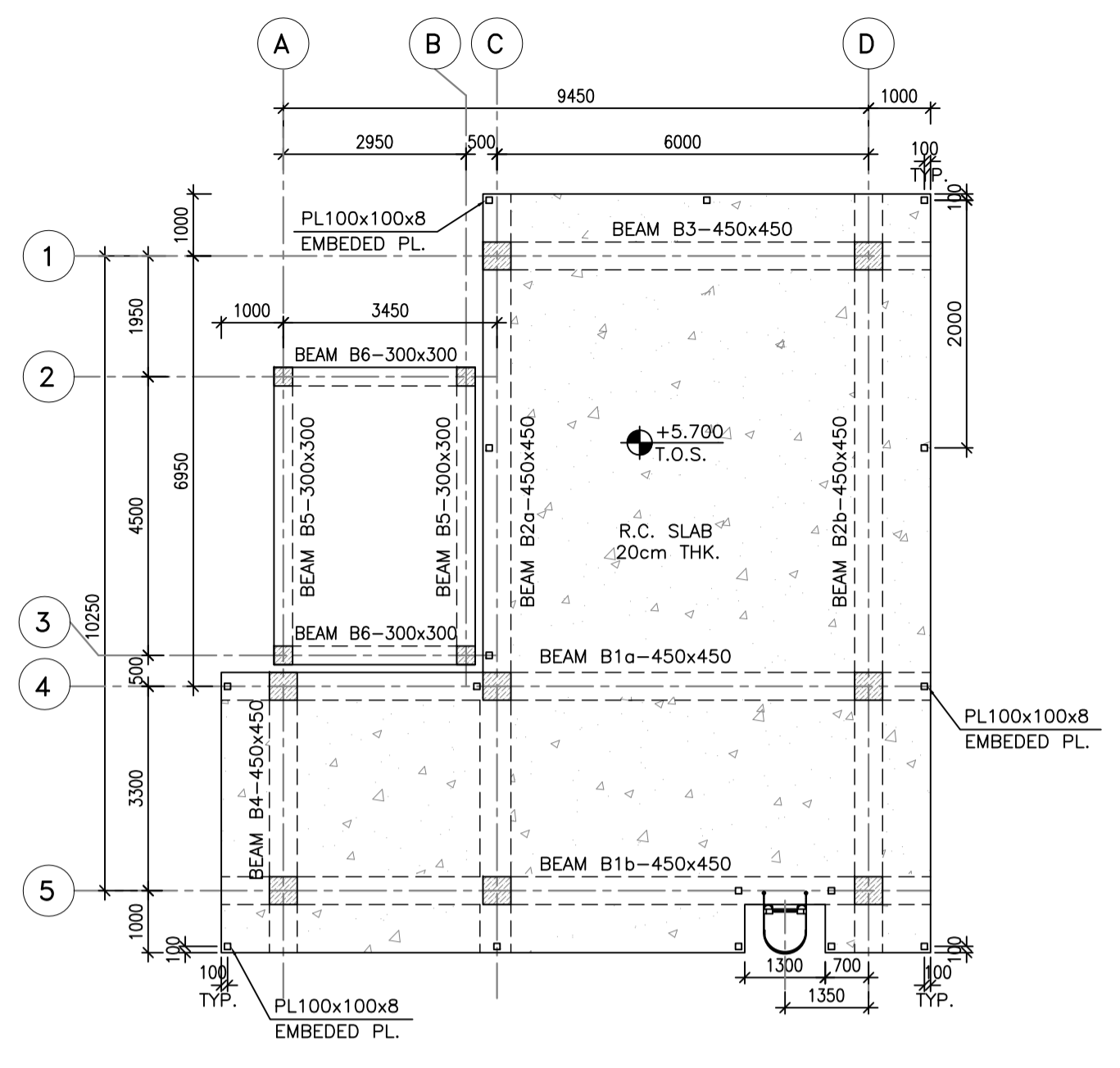
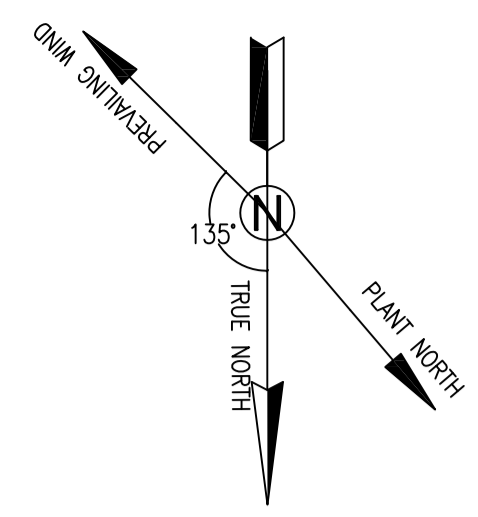
1:50 6 COLUMN TYPE C3 FORMWORK N=2



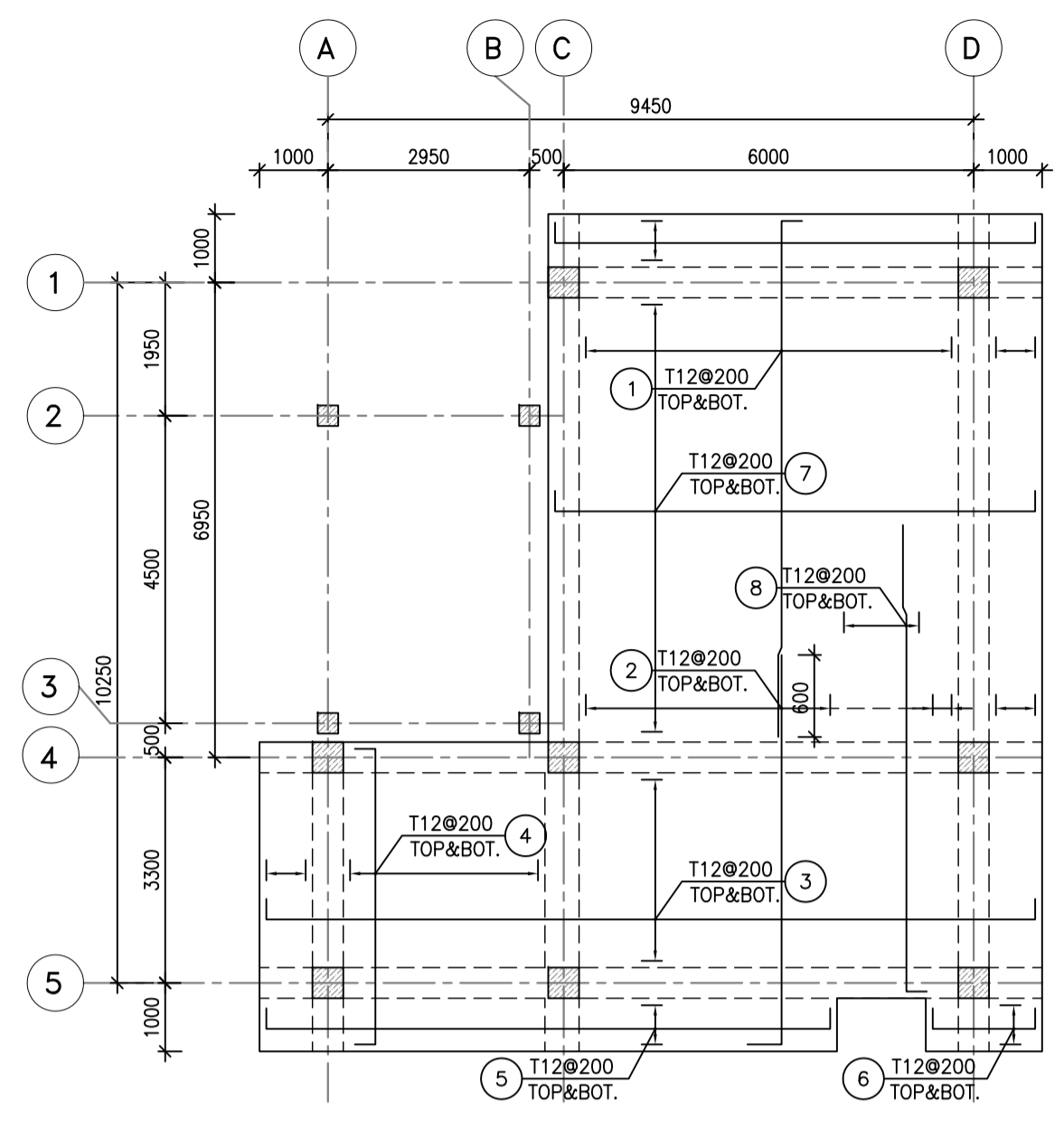
1:50 7 COLUMN TYPE C3 REINFORCEMENT



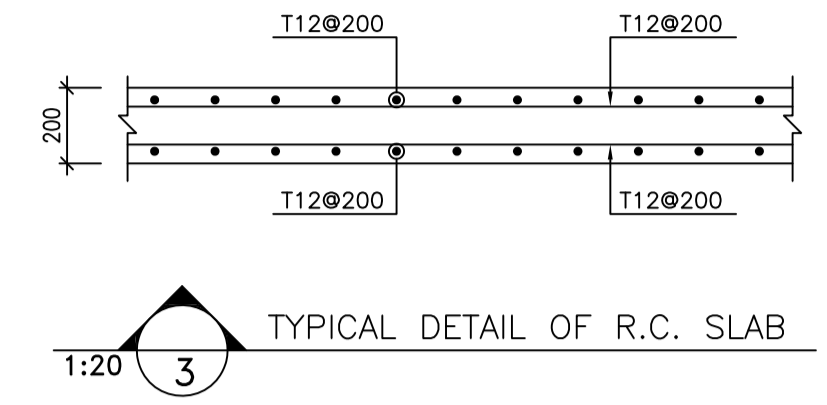
REV.	DESCRIPTION	BY	DATE	BY	DATE						
DOO	AUG.2023	IFC	R.BERLOUE	M.PAKHARIAN	A.M.MOHSSENI						
REV.	DATE	P.O.I.S	PREP.	CHK.	APP.	AUT.					
PROJECT NAME: BINAK OILFIELD DEVELOPMENT/SURFACE FACILITIES GAS COMPRESSOR STATION											
PROJECT NO.: 971020											
EPC CONTRACTOR:			EPD/EPC CONTRACTOR (GC):								
 HIRGAN ENERGY - DESIGN & INSPECTION COMPANIES			 PETROIRAN DEVELOPMENT COMPANY								
DRAWING TITLE: STRUCTURAL DRAWING FOR SWITCHGEAR BUILDING FOR WELLPADS - W007S											
NO CONSTRUCTION PERMITTED UNLESS DRAWING APPROVED											
APPROVED FOR CONSTRUCTION											
SCALE	SIZE	DRAWING NO.	SHEET NO.	REV.	BUDGET REF.	LOCATION	SIZE	CLASS	SERIAL NO.	SHEET	REVISION
AS SHOWN	A1	BK-W007S-PEDCO-110-ST-DW-0011	1 OF 3	D00	053-073-9184	F	4	M	708061	1	D00



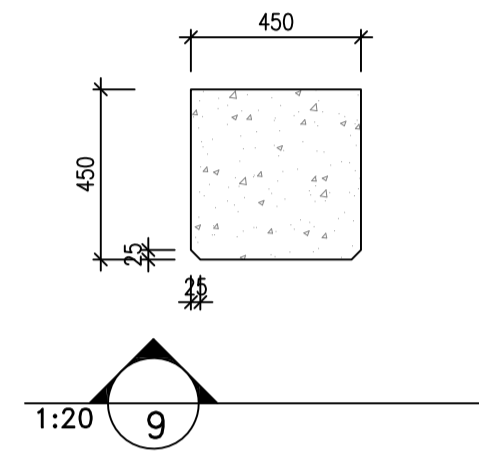
1:100 (1) ROOF FORMWORK PLAN



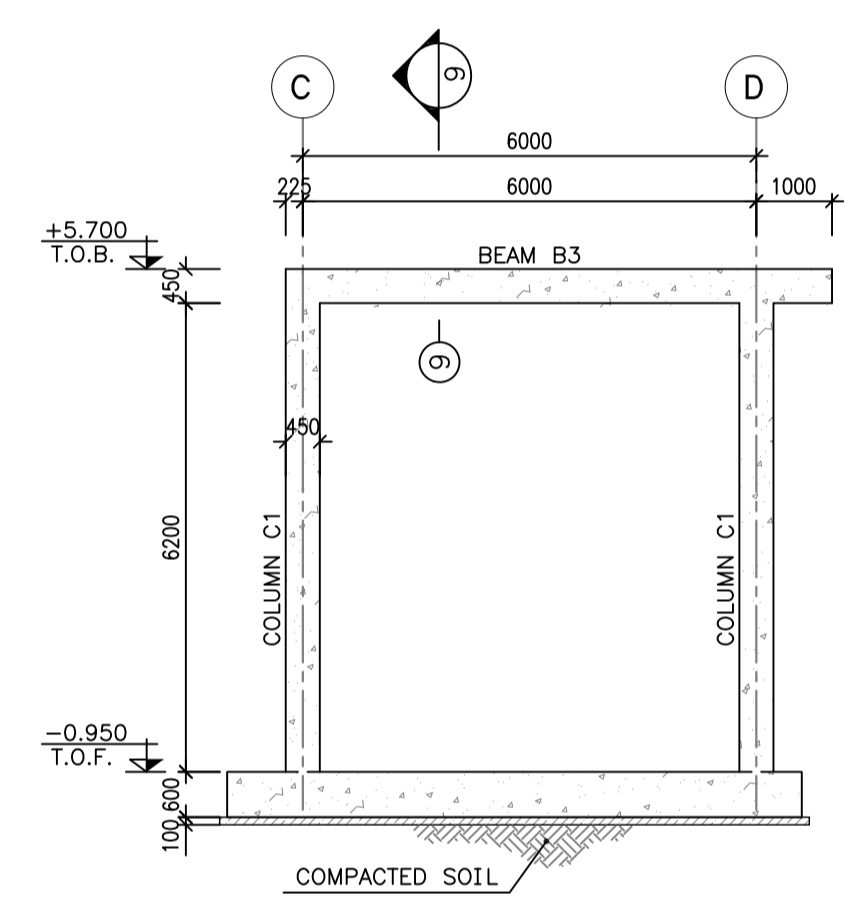
1:100 (2) SLAB REINFORCEMENT PLAN



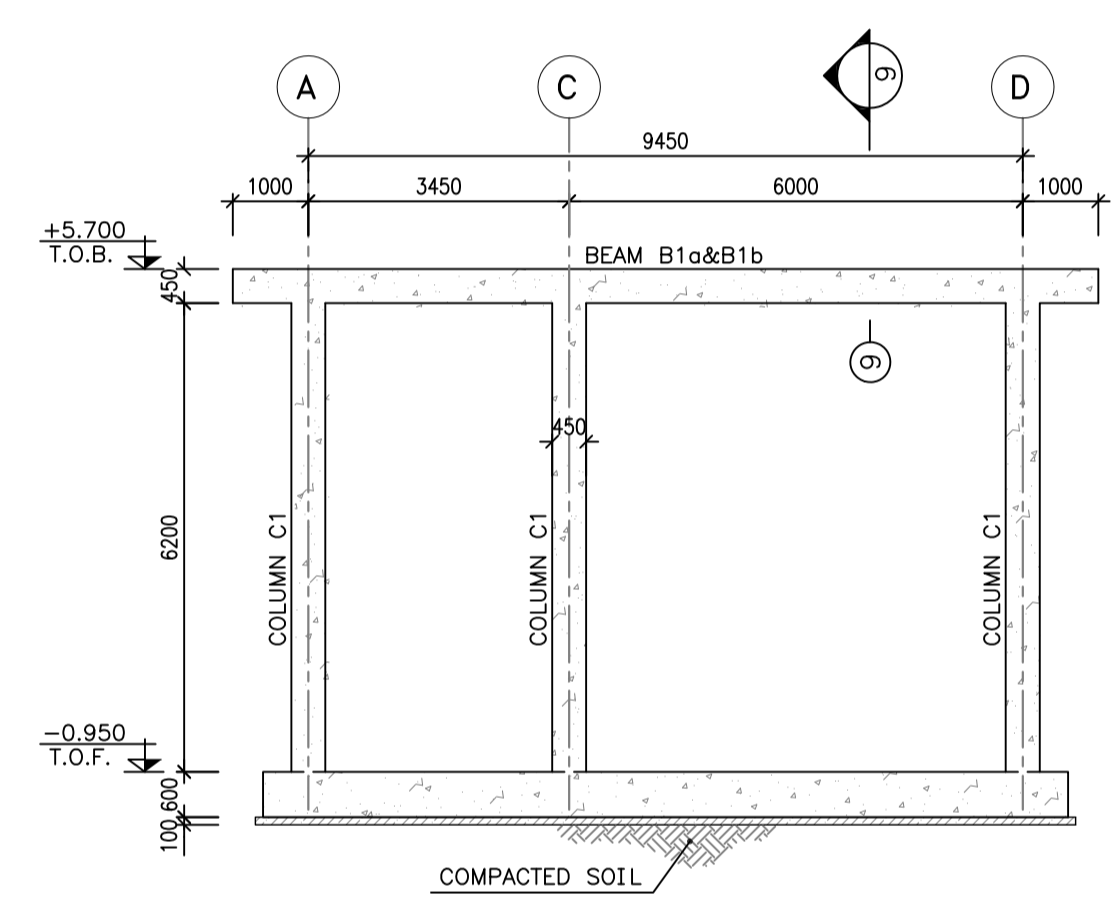
1:20 (3) TYPICAL DETAIL OF R.C. SLAB



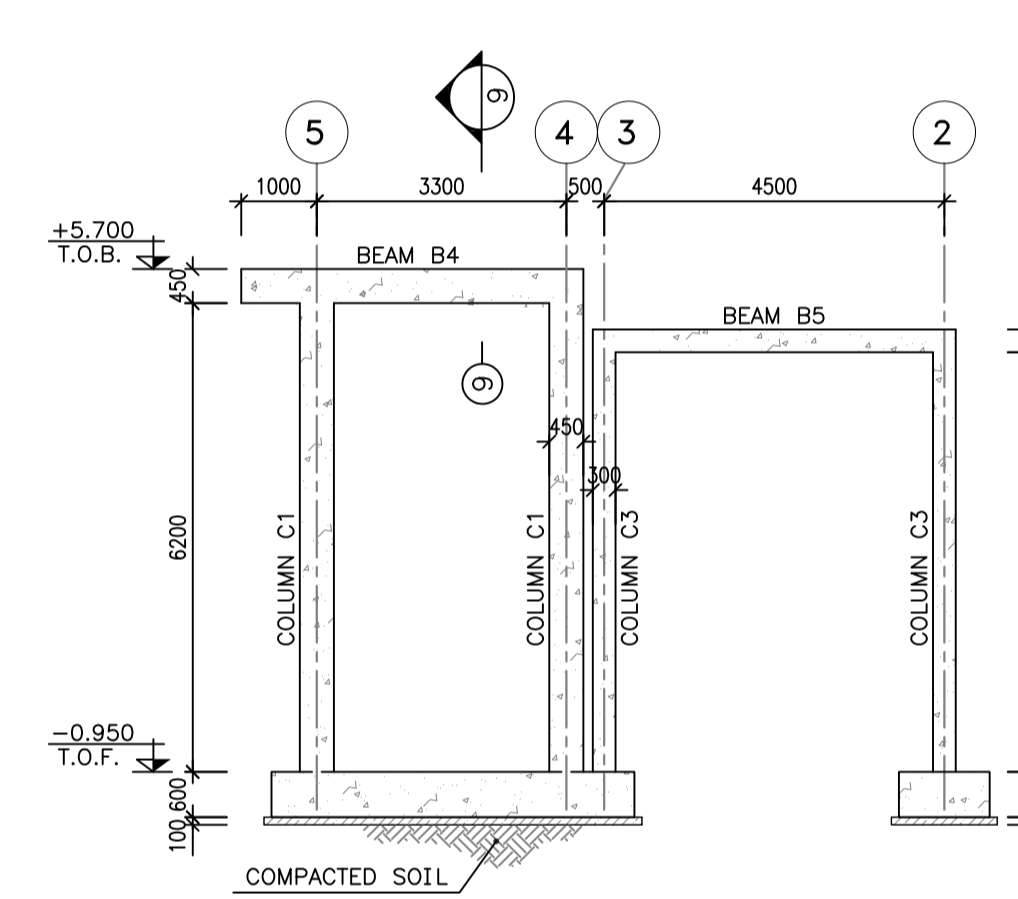
1:20 (9)



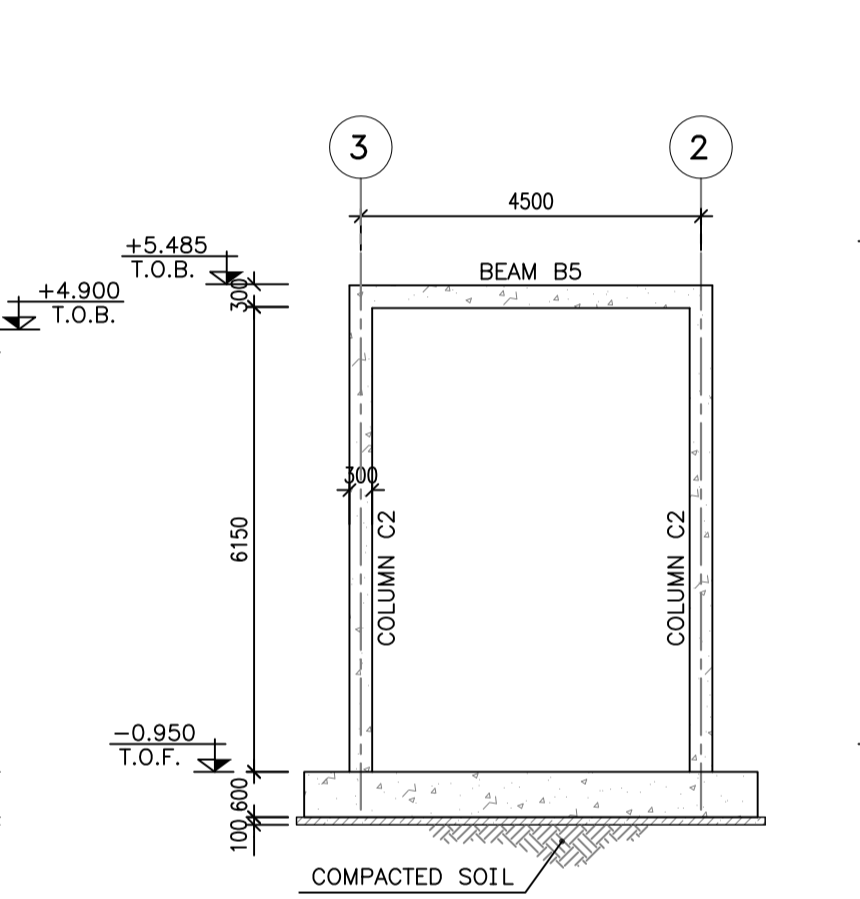
1:100 (4) ELEVATION ON AXIS 1 FORMWORK N=1



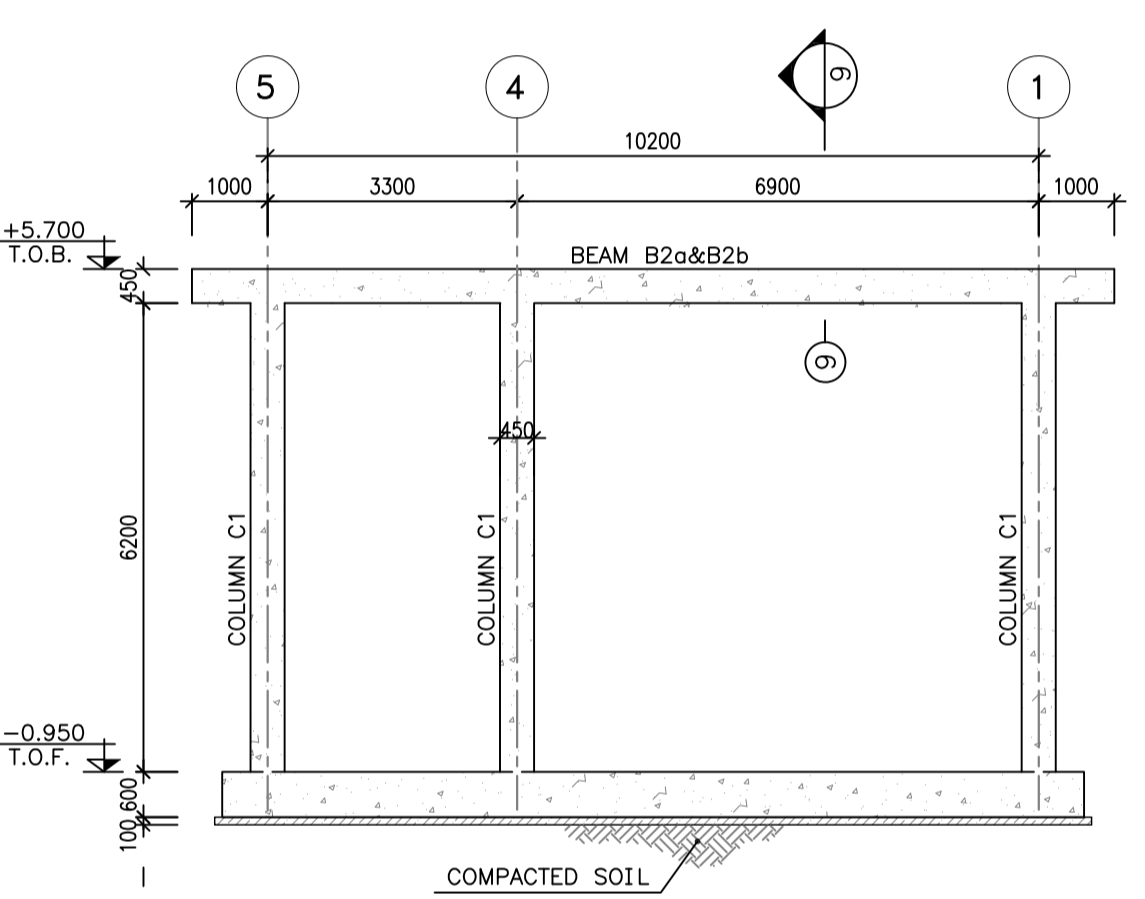
1:100 (5) ELEVATION ON AXES 4&5 FORMWORK N=2



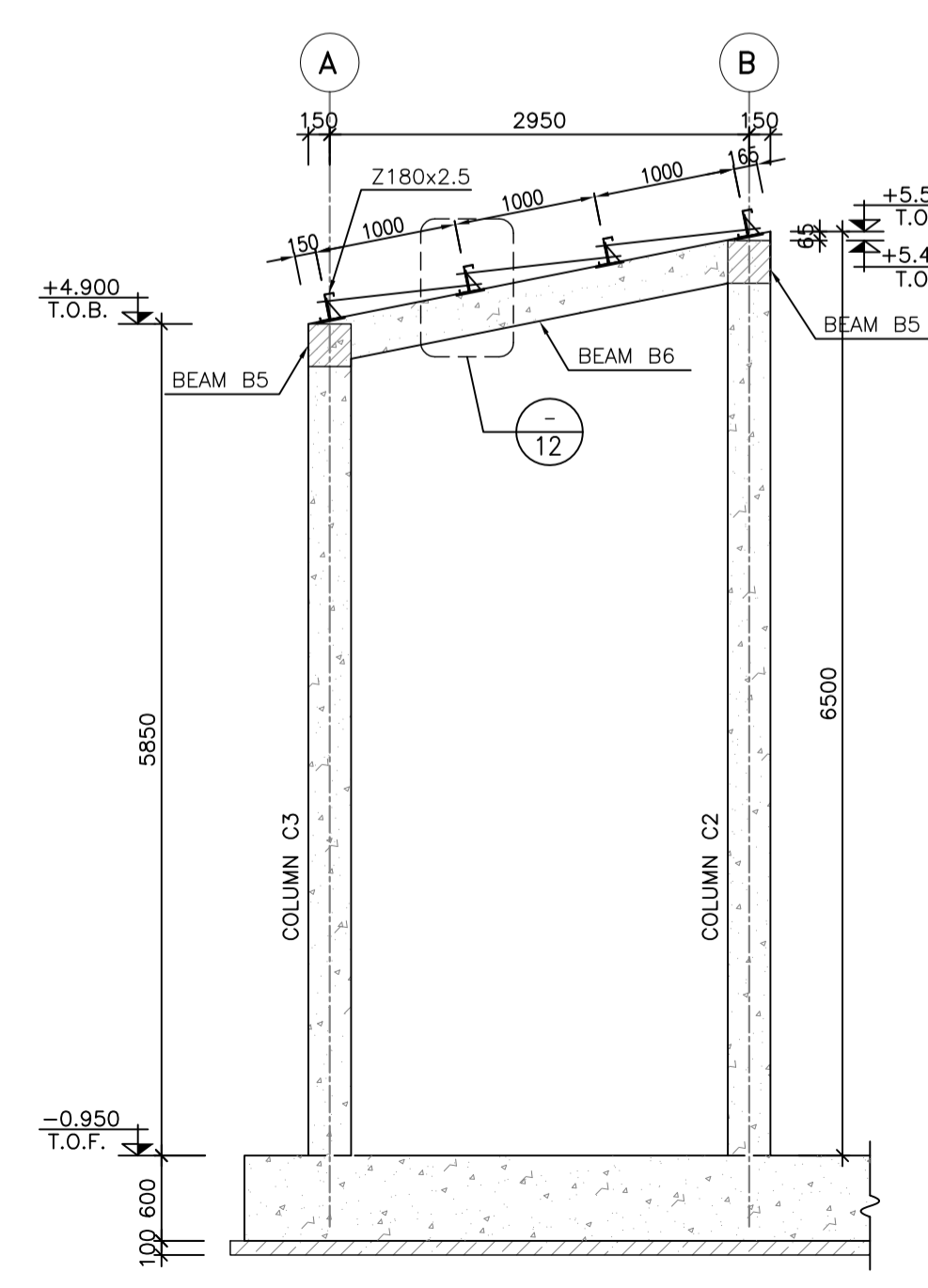
1:100 (6) ELEVATION ON AXIS A FORMWORK N=1



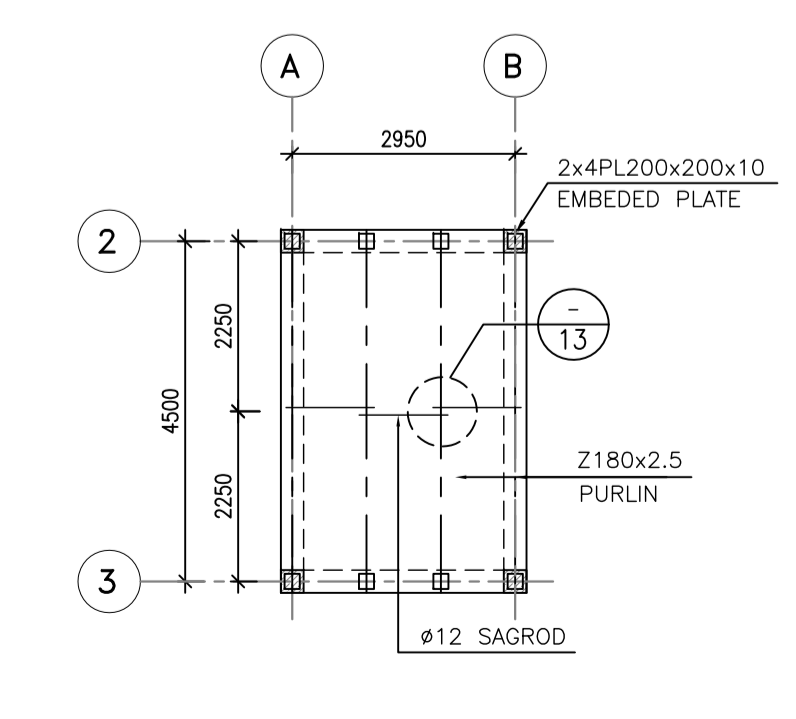
1:100 (7) ELEVATION ON AXIS B FORMWORK N=1



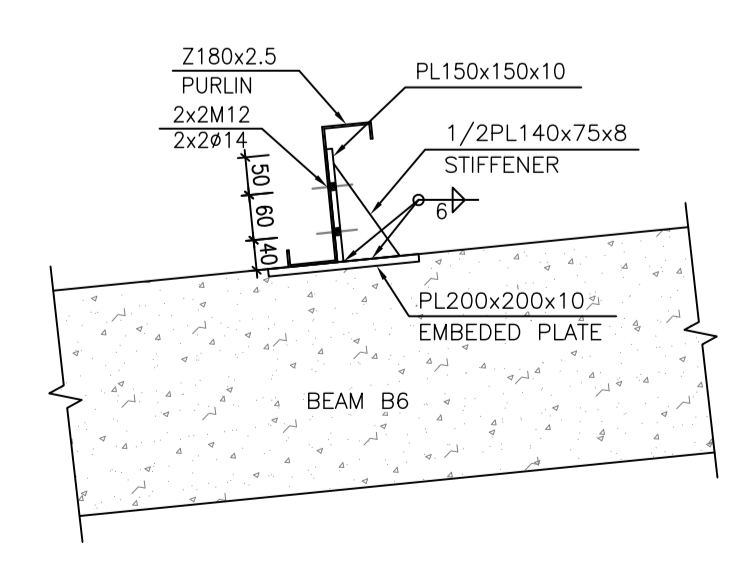
1:100 (8) ELEVATION ON AXES C&D FORMWORK N=2



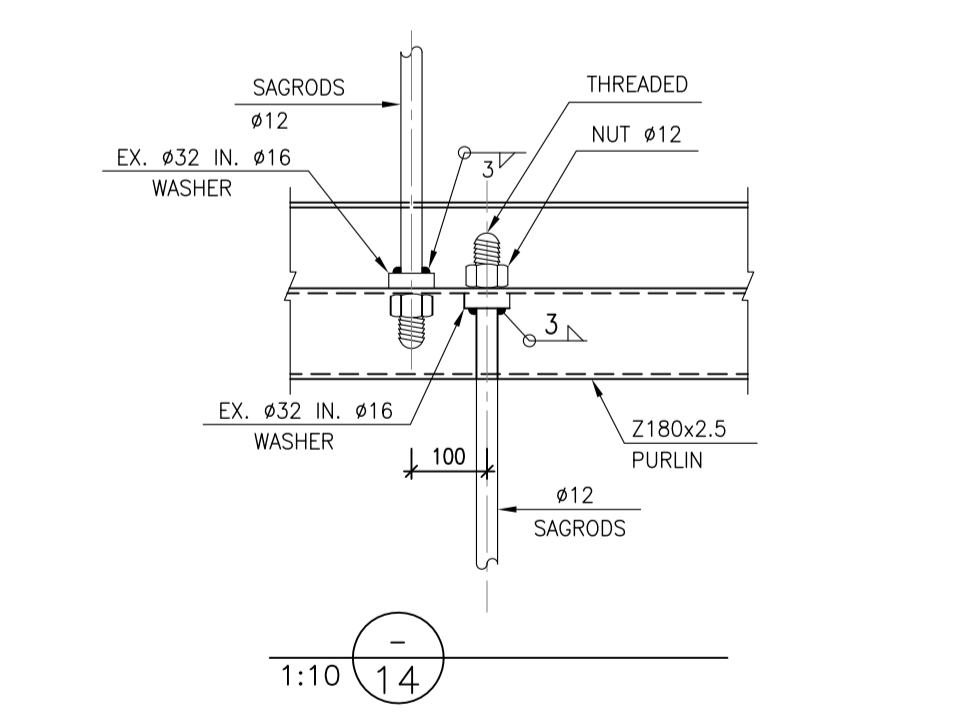
1:50 (10) ELEVATION ON AXES 2&3 FORMWORK N=2



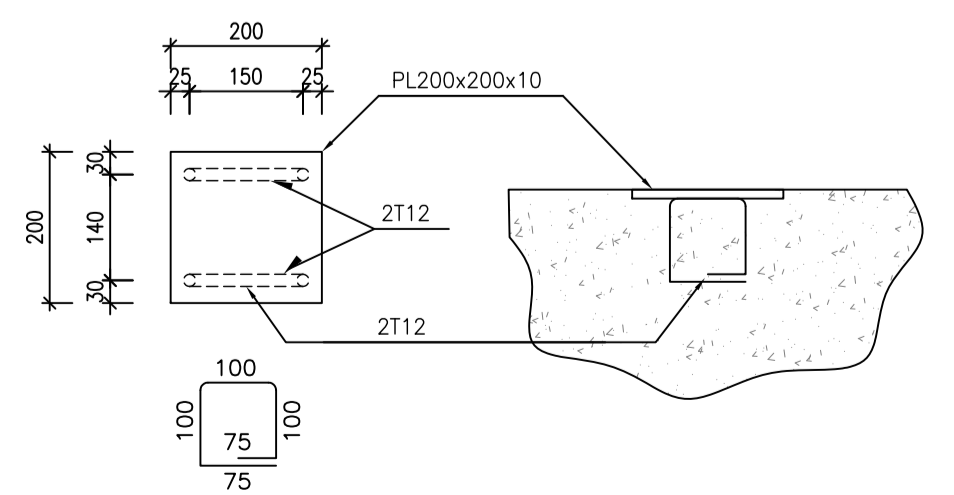
1:100 (11) ROOF PURLIN PLAN



1:10 (12)



1:10 (14)



1:100 (13)

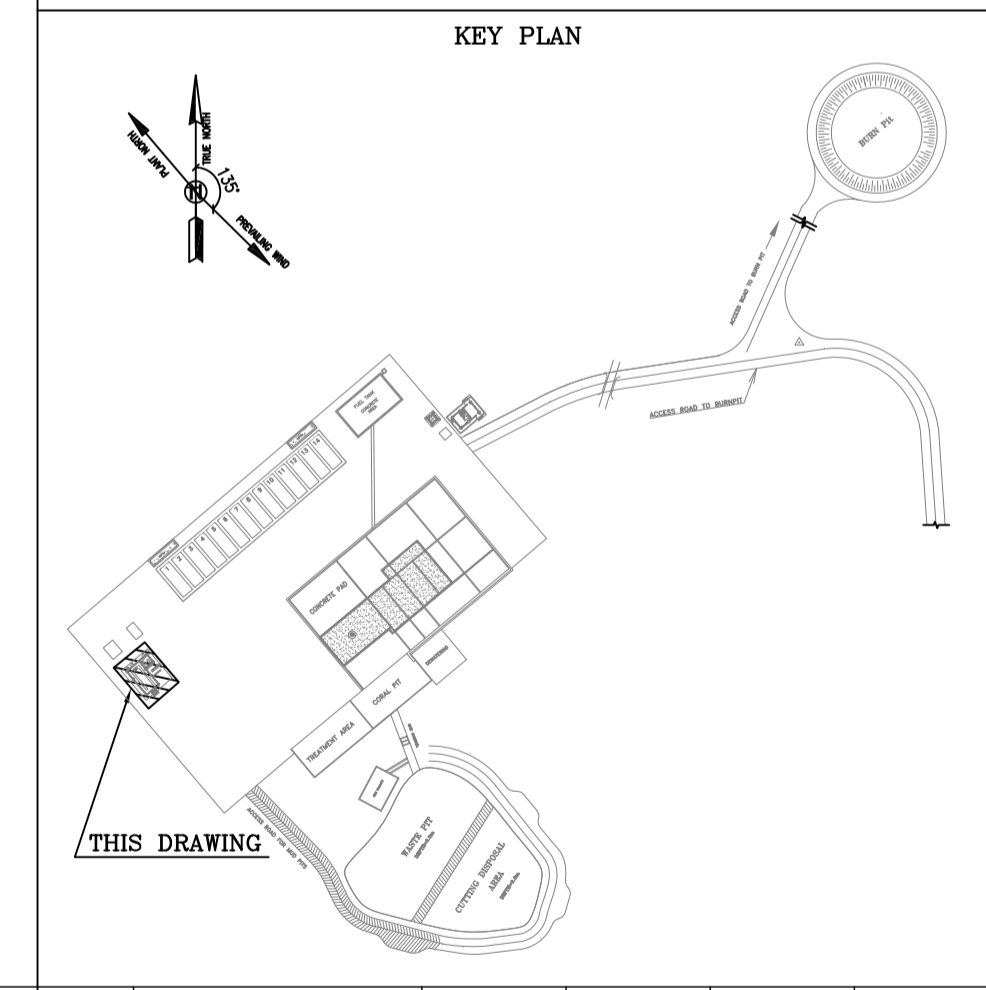
- NOTES**
- 1) ALL ELEVATIONS AND COORDINATES ARE IN "m" AND DIMENSIONS ARE IN "mm" UNLESS OTHERWISE NOTED.
 - 2) ALL DIMENSIONS AND ELEVATIONS SHALL BE CHECKED BY THE CONTRACTOR PRIOR TO CONSTRUCTION.
 - 3) ACCORDING TO THE SPECIFICATION OF CONCRETE WORKS: "BK-GNRL-PEDCO-000-ST-SP-0001", 28 DAYS CHARACTERISTIC COMPRESSIVE STRENGTH OF MAIN CONCRETE IS 30 MPa
 - 4) ACCORDING TO THE SPECIFICATION OF CONCRETE WORKS: "BK-GNRL-PEDCO-000-ST-SP-0001", 28 DAYS CHARACTERISTIC COMPRESSIVE STRENGTH OF LEAN CONCRETE IS 15 MPa
 - 5) REINFORCING BARS SHALL BE S400 ACCORDING TO: ISIRI3132 AND INBC9 WITH MINIMUM TENSILE YIELD STRENGTH 400 N/mm²
 - 6) CONCRETE COVER OVER BARS SHALL BE 75mm FOR FOUNDATION AND 50mm FOR BEAMS & COLUMNS.
 - 7) UNDERGROUND CONCRETE SHALL BE PROTECTED AND COATED ACCORDING TO RELEVANT SPECIFICATION.
 - 8) CEMENT TYPE 2 SHALL BE USED ACCORDING TO GEOTECHNICAL REPORT SUGGESTION.
- ±0.00 = +26.00(F.G.L)MSL

LEGEND

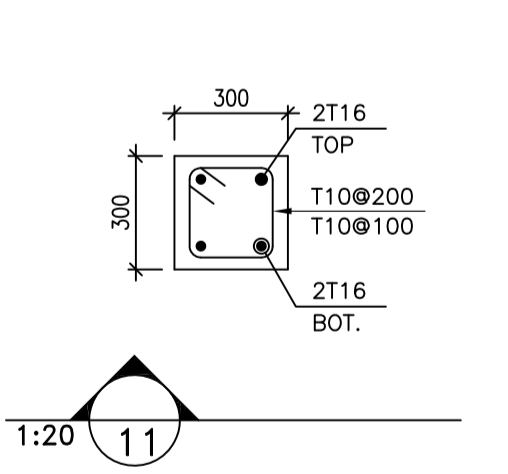
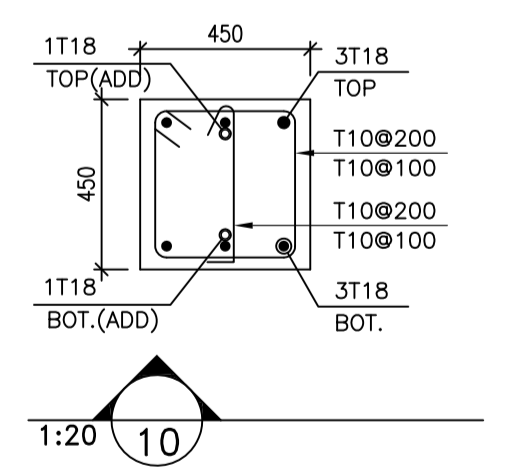
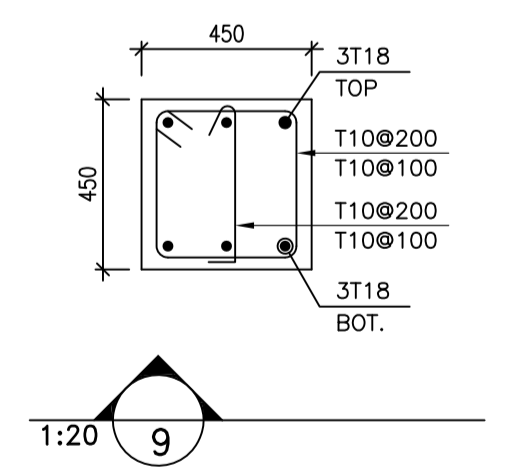
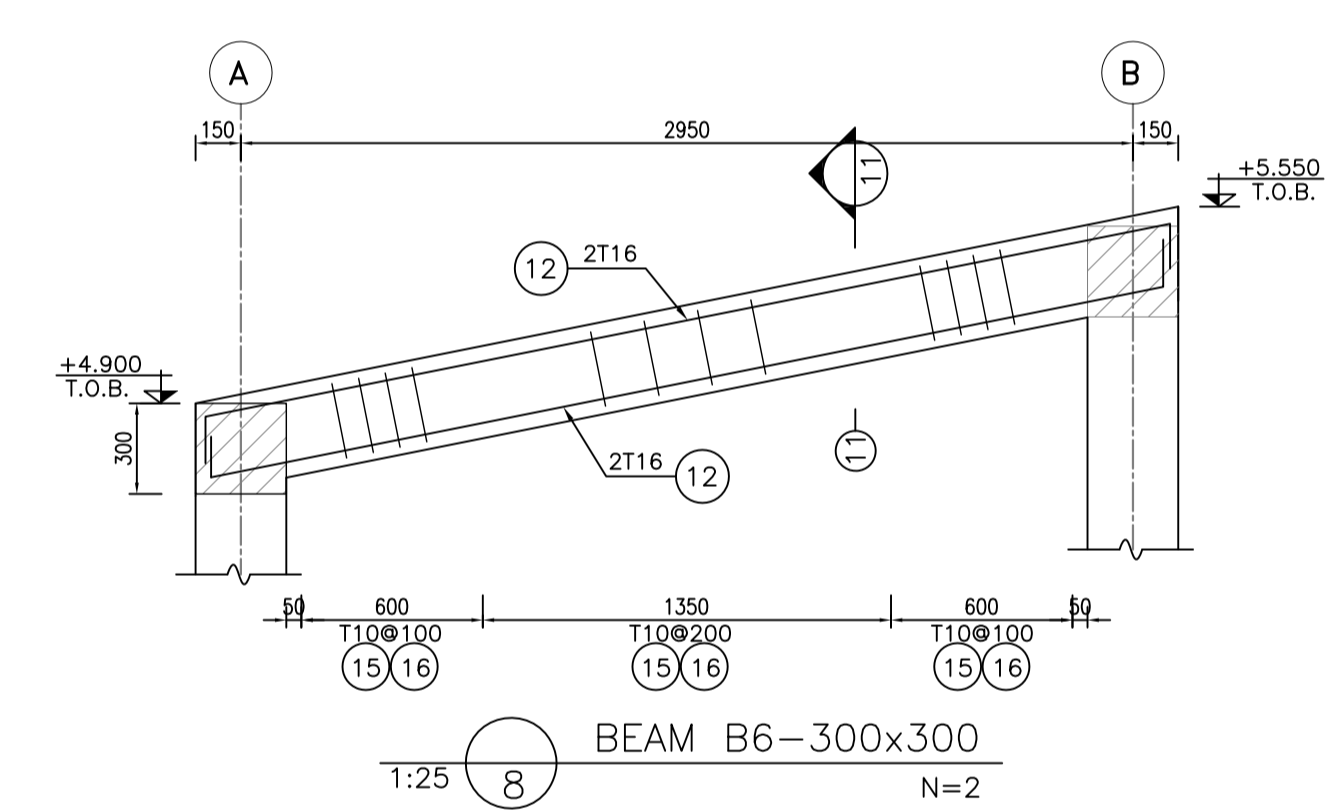
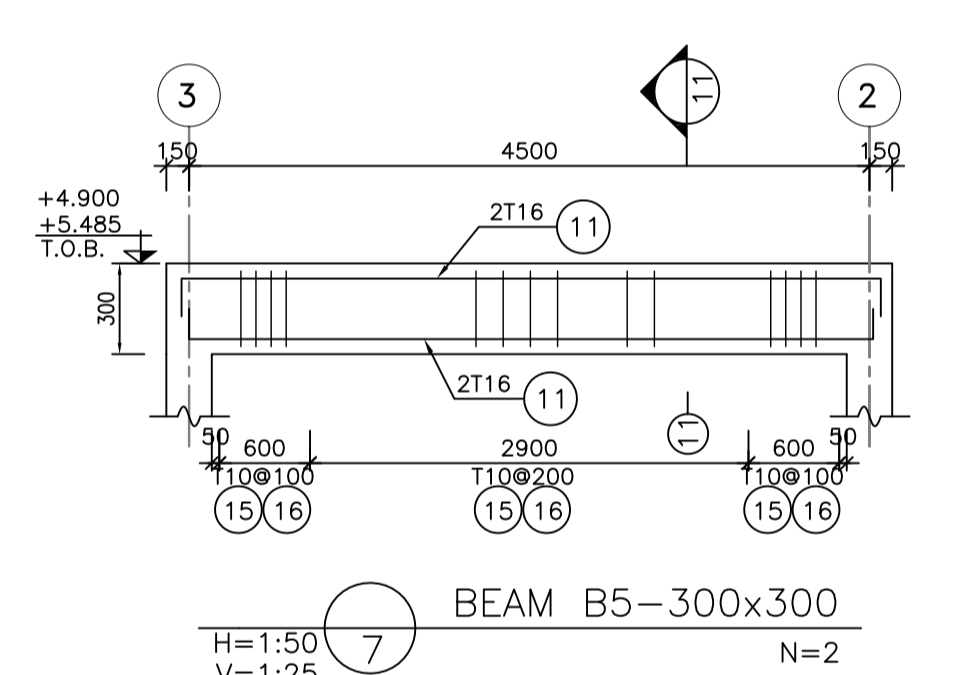
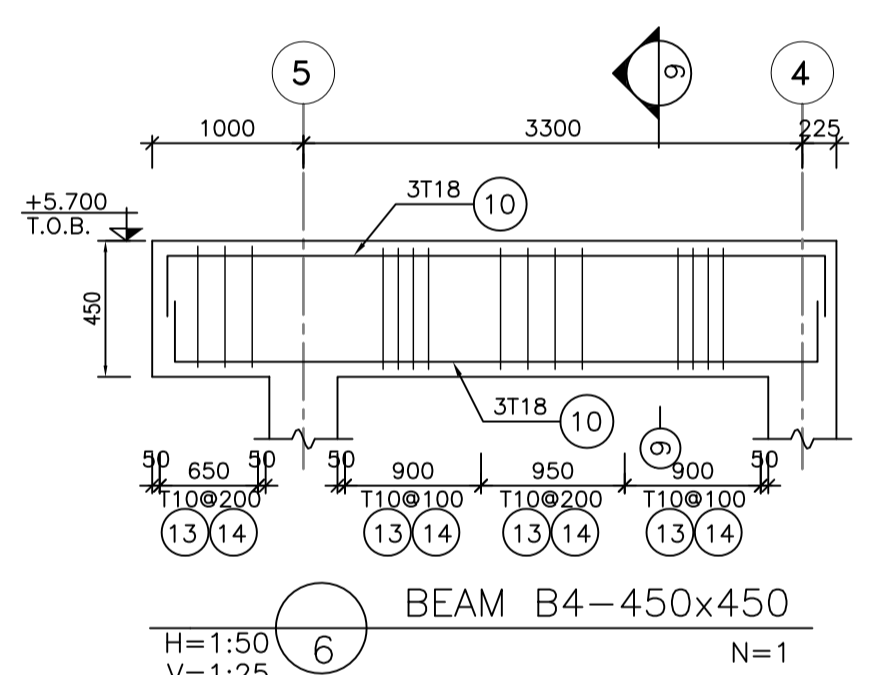
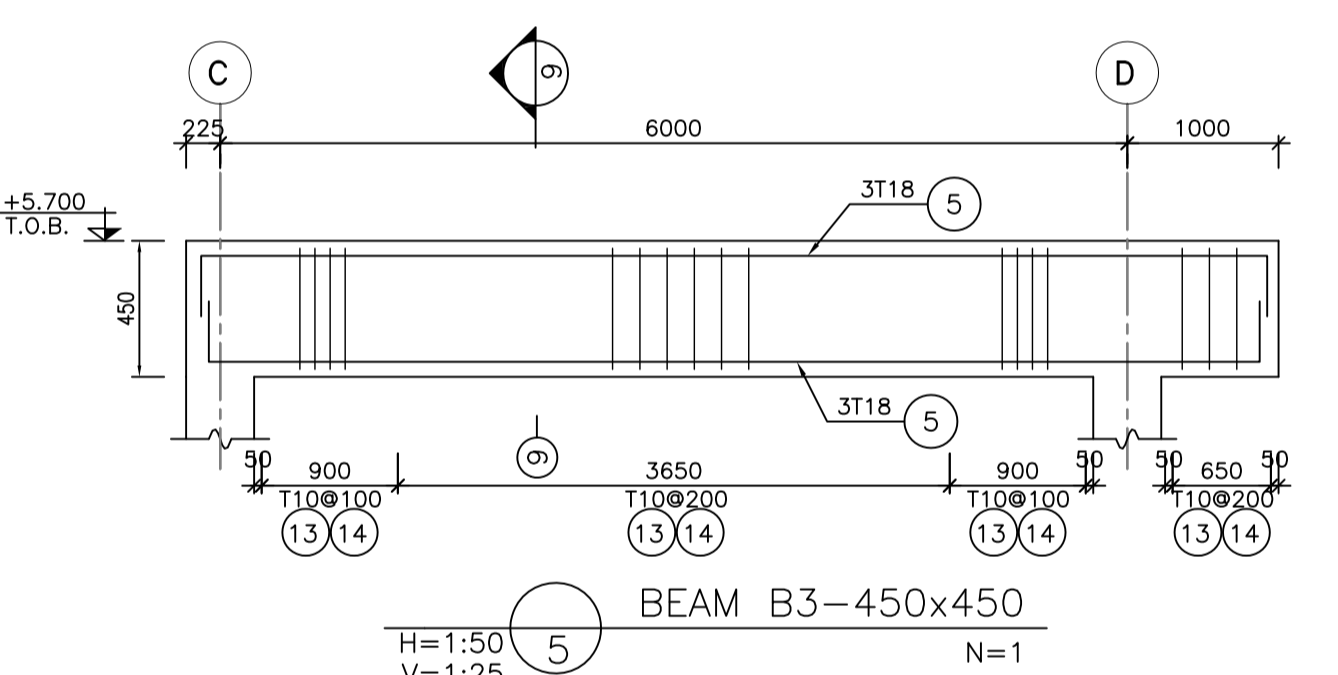
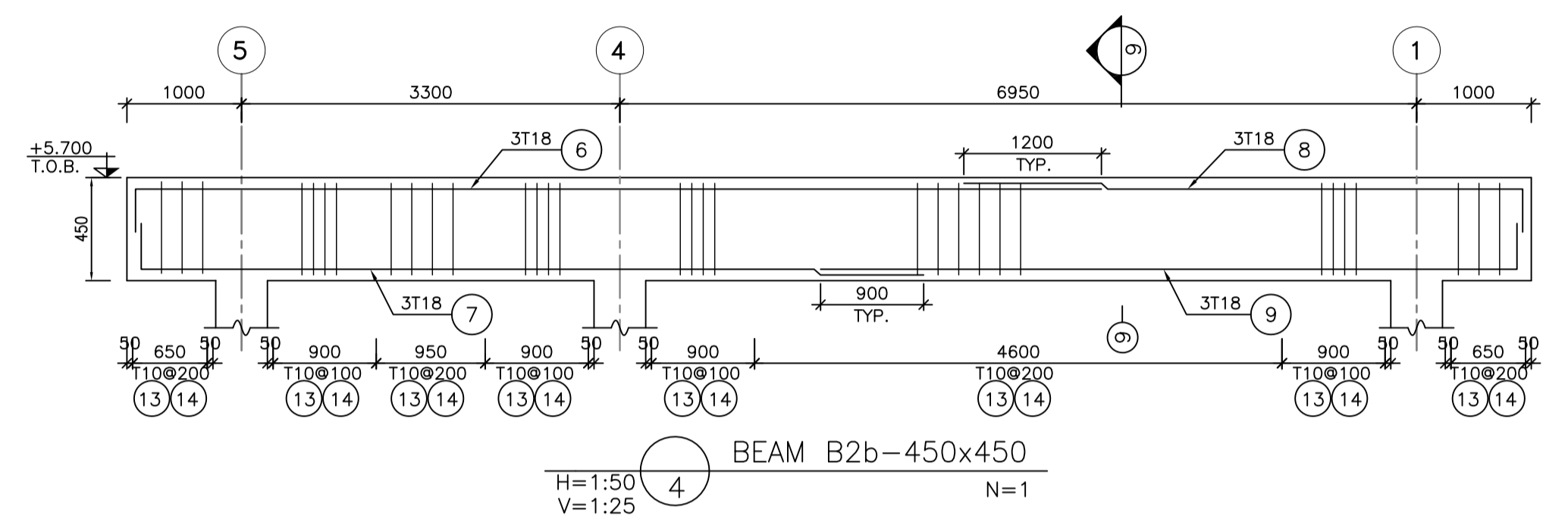
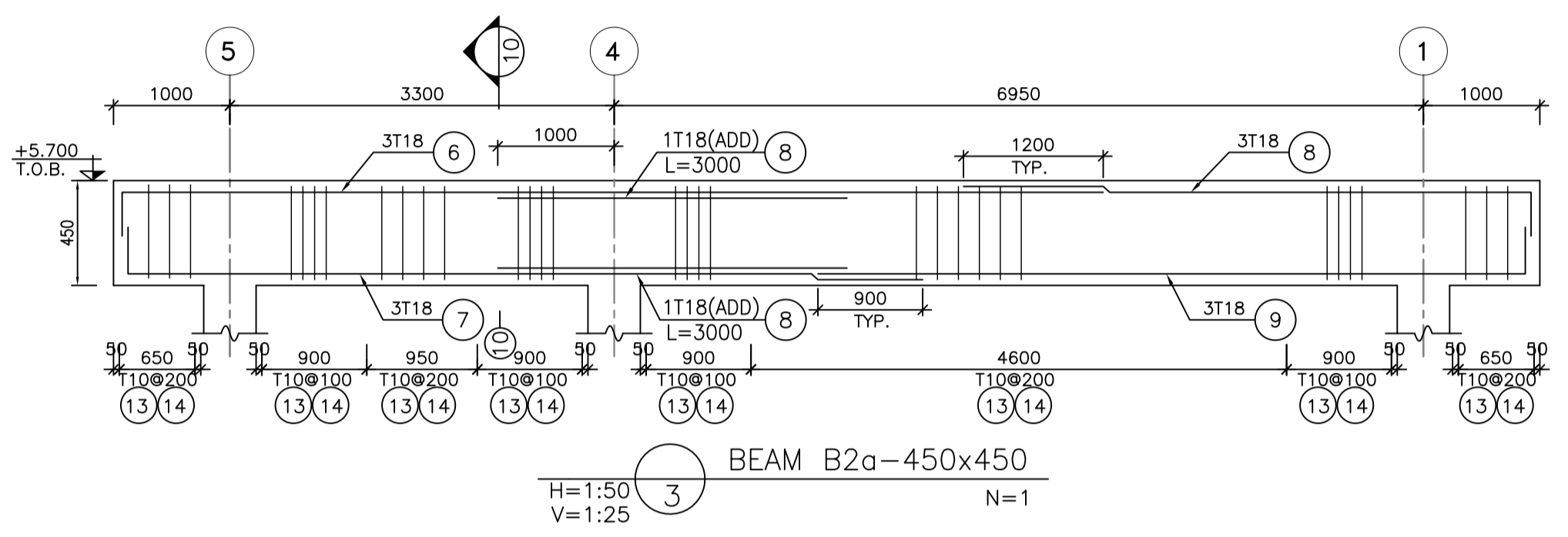
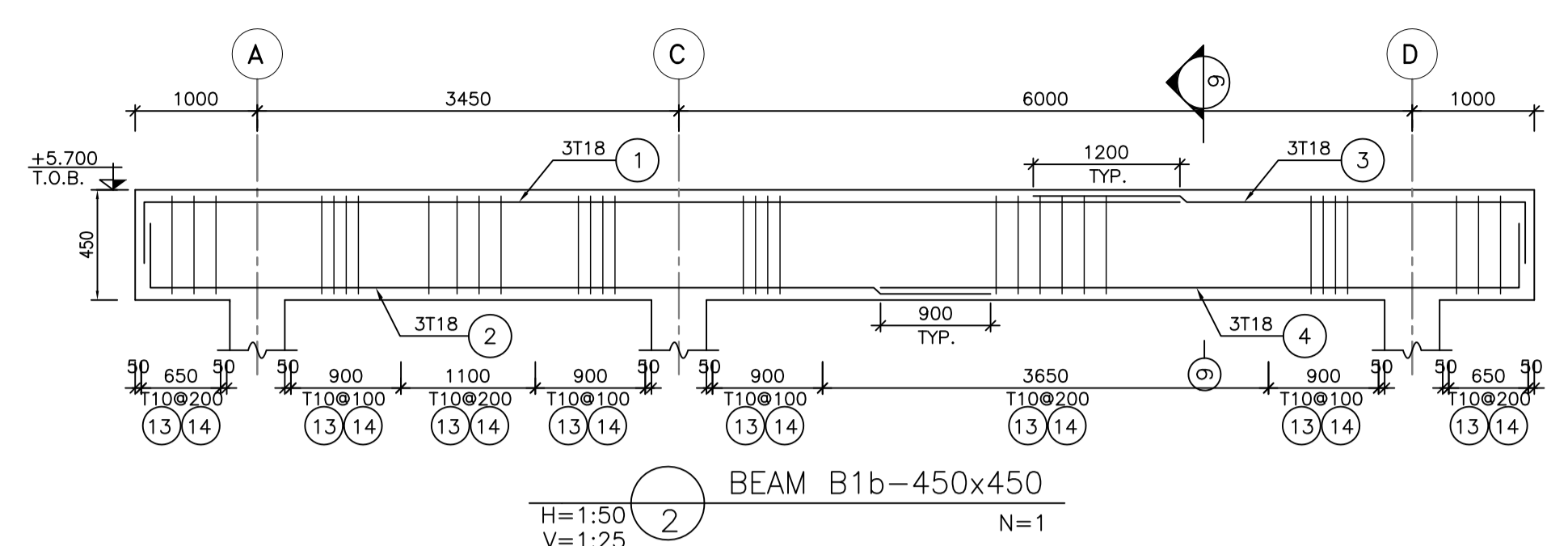
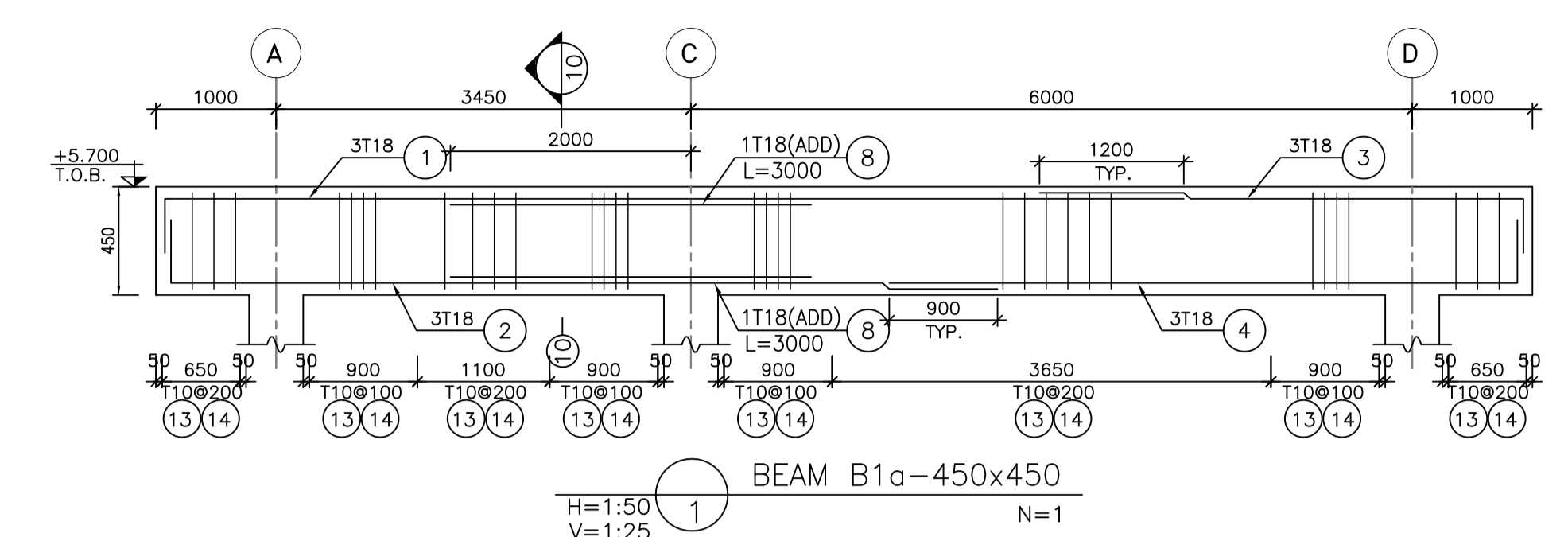
F.G.L.	: FINISH GROUND LEVEL
T.O.F.	: TOP OF FOUNDATION
B.O.B.	: BOTTOM OF BASEPLATE
T.O.B.	: TOP OF BEAM
	REINFORCED CONCRETE
	LEAN CONCRETE
	GROUND

REFERENCE DRAWING

REFERENCE DRAWING	DRG. No.
ARCHITECTURAL DRAWING FOR SWITCHGEAR BUILDING OF WELLPADS-W007S	BK-W007S-PEDCO-110-AR-DW-0003
FOUNDATION DRAWING FOR SWITCHGEAR BUILDING FOR WELLPADS-W007S	BK-W007S-PEDCO-110-ST-DW-0010
GENERAL NOTES-REINFORCED CONCRETE STRUCTURES	BK-GNRL-PEDCO-000-ST-DW-0012
STANDARD DRAWING FOR INSERT PLATES IN CONCRETE	BK-GNRL-PEDCO-000-ST-DW-0007
PLOT PLAN DRAWING -W007S	BK-W007S-PEDCO-110-PI-PY-0002
GENERAL CIVIL LAYOUT- W007S	BK-W007S-PEDCO-110-CV-PY-0001



REV.	DESCRIPTION	BY	DATE	BY	DATE						
DOO	AUG.2023	IFC	R.BERLOUE	M.PAKHARIAN	A.M.MOHSSENI						
REV.	DATE	P.O.I.S	PREP.	CHK.	APP.	AUT.					
PROJECT NAME: BINAK OILFIELD DEVELOPMENT/SURFACE FACILITIES GAS COMPRESSOR STATION											
PROJECT NO.:			971020								
EPC CONTRACTOR:			EPD/EPC CONTRACTOR (GC):								
DRAWING TITLE: STRUCTURAL DRAWING FOR SWITCHGEAR BUILDING FOR WELLPADS - W007S											
NO CONSTRUCTION PERMITTED UNLESS DRAWING APPROVED											
APPROVED FOR CONSTRUCTION BY: DATE:											
SCALE	SIZE	DRAWING NO.	SHEET NO.	REV.	BUDGET REF.	LOCATION	SIZE	CLASS	SERIAL NO.	SHEET	REVISION
AS SHOWN	A1	BK-W007S-PEDCO-110-ST-DW-0011	2 OF 3	D00	053-073-9184	F	4	M	708061	2	D00



- NOTES**
- 1) ALL ELEVATIONS AND COORDINATES ARE IN "m" AND DIMENSIONS ARE IN "mm" UNLESS OTHERWISE NOTED.
 - 2) ALL DIMENSIONS AND ELEVATIONS SHALL BE CHECKED BY THE CONTRACTOR PRIOR TO CONSTRUCTION.
 - 3) ACCORDING TO THE SPECIFICATION OF CONCRETE WORKS: "BK-GNRL-PEDCO-000-ST-SP-0001", 28 DAYS CHARACTERISTIC COMPRESSIVE STRENGTH OF MAIN CONCRETE IS 30 MPa
 - 4) ACCORDING TO THE SPECIFICATION OF CONCRETE WORKS: "BK-GNRL-PEDCO-000-ST-SP-0001", 28 DAYS CHARACTERISTIC COMPRESSIVE STRENGTH OF LEAN CONCRETE IS 15 MPa
 - 5) REINFORCING BARS SHALL BE S400 ACCORDING TO: ISIRI3132 AND INBC9 WITH MINIMUM TENSILE YIELD STRENGTH 400 N/mm²
 - 6) CONCRETE COVER OVER BARS SHALL BE 75mm FOR FOUNDATION AND 50mm FOR BEAMS & COLUMNS.
 - 7) UNDERGROUND CONCRETE SHALL BE PROTECTED AND COATED ACCORDING TO RELEVANT SPECIFICATION.
 - 8) CEMENT TYPE 2 SHALL BE USED ACCORDING TO GEOTECHNICAL REPORT SUGGESTION.

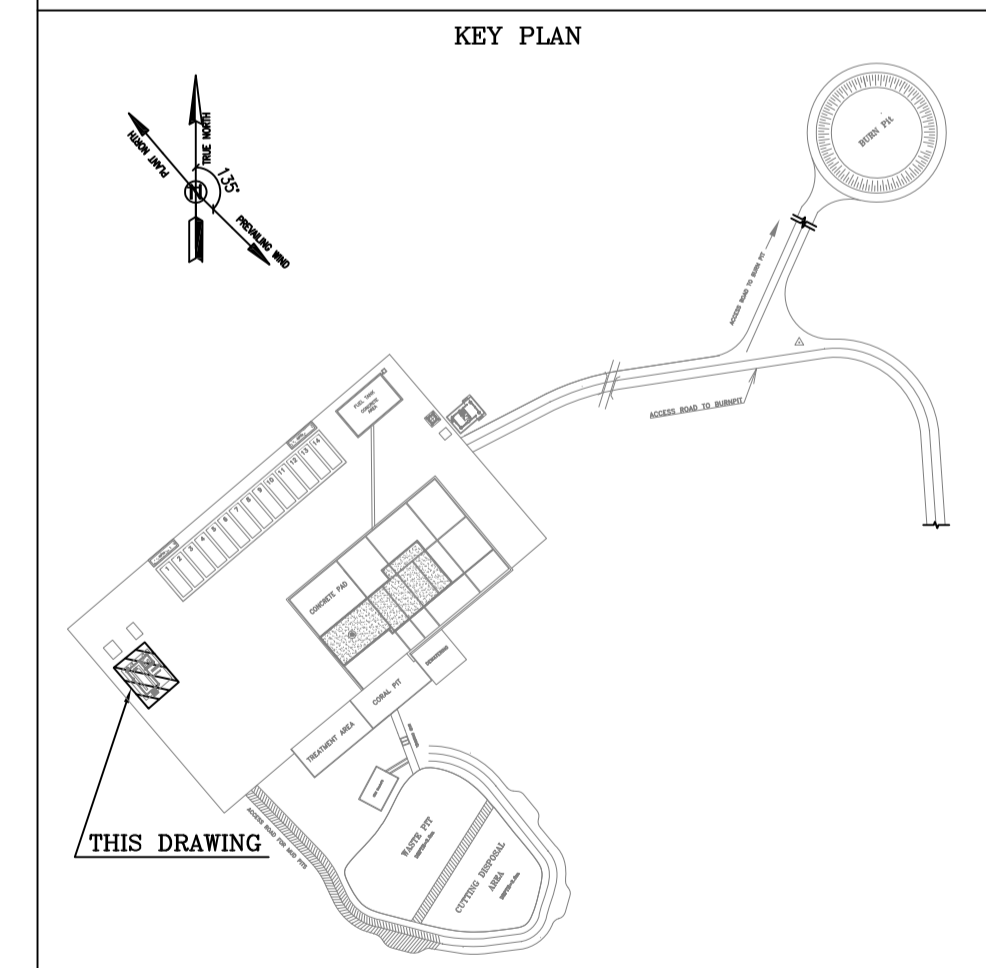
±0.00 = +26.00(F.G.L)MSL

LEGEND

	REINFORCED CONCRETE
	LEAN CONCRETE
	GROUND

REFERENCE DRAWING

ARCHITECTURAL DRAWING FOR SWITCHGEAR BUILDING OF WELLPADS-W007S	DRG. No.
FOUNDATION DRAWING FOR SWITCHGEAR BUILDING FOR WELLPADS-W007S	BK-W007S-PEDCO-110-AR-DW-0003
GENERAL NOTES-REINFORCED CONCRETE STRUCTURES	BK-GNRL-PEDCO-000-ST-DW-0012
STANDARD DRAWING FOR INSERT PLATES IN CONCRETE	BK-GNRL-PEDCO-000-ST-DW-0007
PLOT PLAN DRAWING -W007S	BK-W007S-PEDCO-110-PI-PY-0002
GENERAL CIVIL LAYOUT- W007S	BK-W007S-PEDCO-110-CV-PY-0001



REV.	DESCRIPTION	BY	DATE	BY	DATE						
DOO	AUG.2023	IFC	R.BERLOUE	M.PAKHARIAN	A.M.MOHSSENI						
REV.	DATE	P.O.I.S	PREP.	CHK.	APP.	AUT.					
PROJECT NAME: BINAK OILFIELD DEVELOPMENT/SURFACE FACILITIES GAS COMPRESSOR STATION											
PROJECT NO.: 971020											
EPC CONTRACTOR:			EPD/EPC CONTRACTOR (GC):								
 HIRGAN ENERGY - DESIGN & INSPECTION COMPANIES			 PETROIRAN DEVELOPMENT COMPANY								
DRAWING TITLE: STRUCTURAL DRAWING FOR SWITCHGEAR BUILDING FOR WELLPADS - W007S											
NO CONSTRUCTION PERMITTED UNLESS DRAWING APPROVED											
APPROVED FOR CONSTRUCTION											
SCALE	SIZE	DRAWING NO.	SHEET NO.	REV.	BUDGET REF.	LOCATION	SIZE	CLASS	SERIAL NO.	SHEET	REVISION
AS SHOWN	A1	BK-W007S-PEDCO-110-ST-DW-0011	3 OF 3	D00	053-073-9184	F	4	M	708061	3	D00