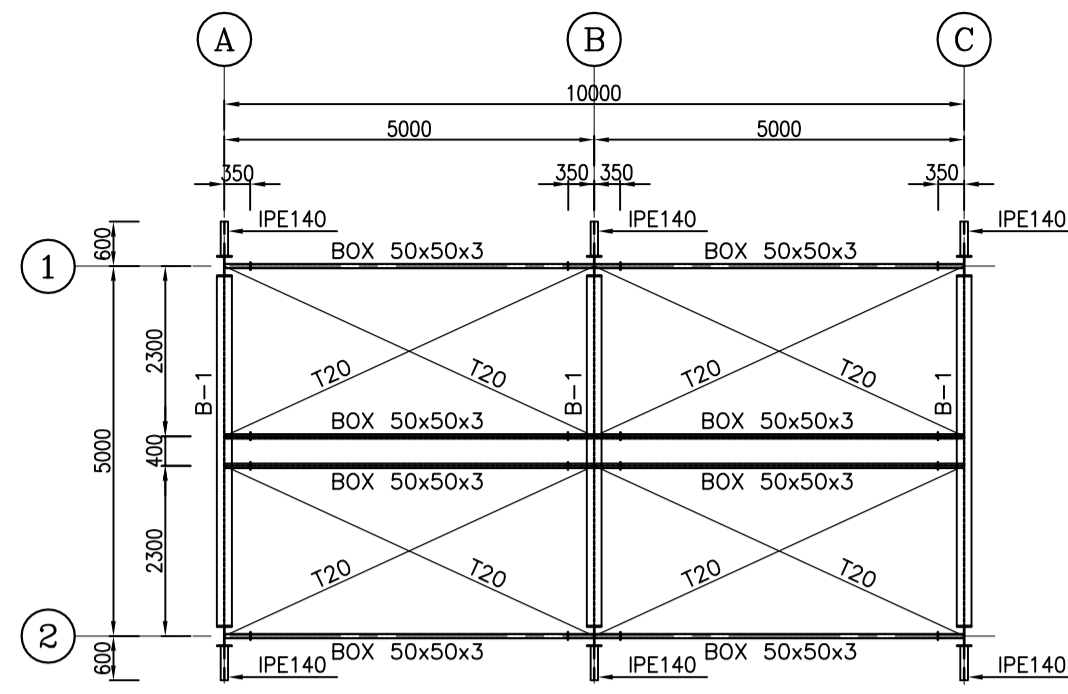
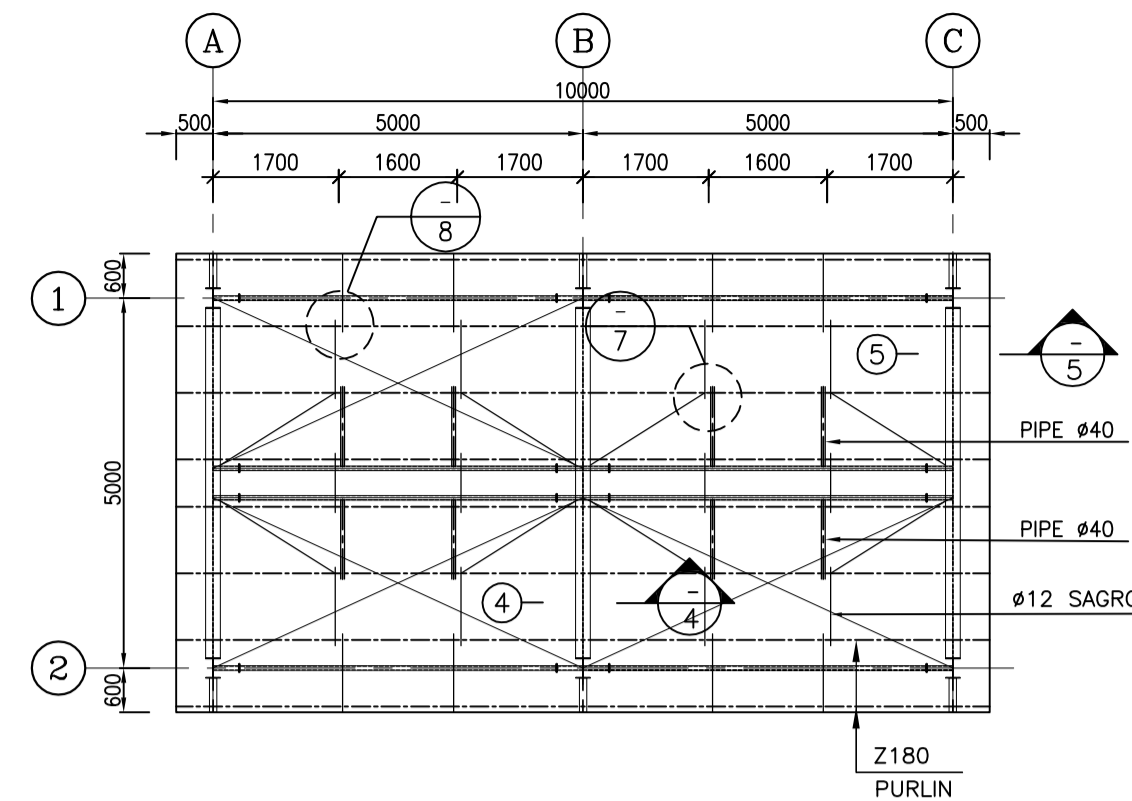


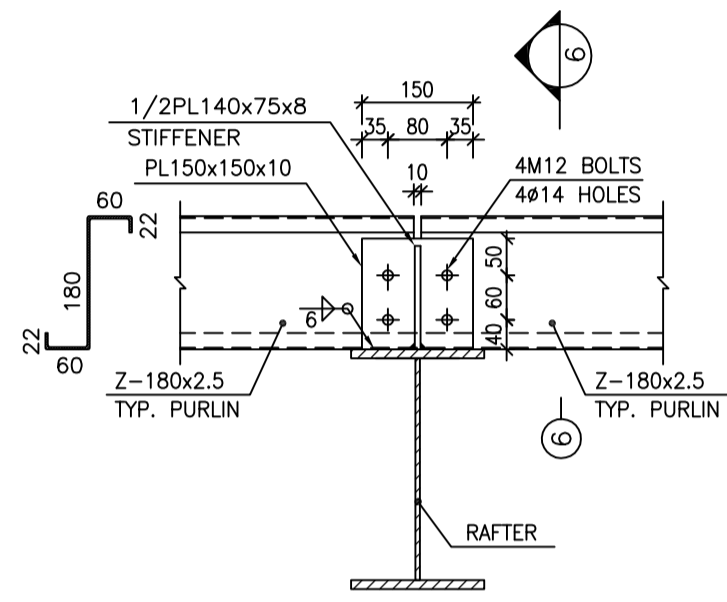
1:100 1 COLUMN & BASE PLATE LAYOUT PLAN



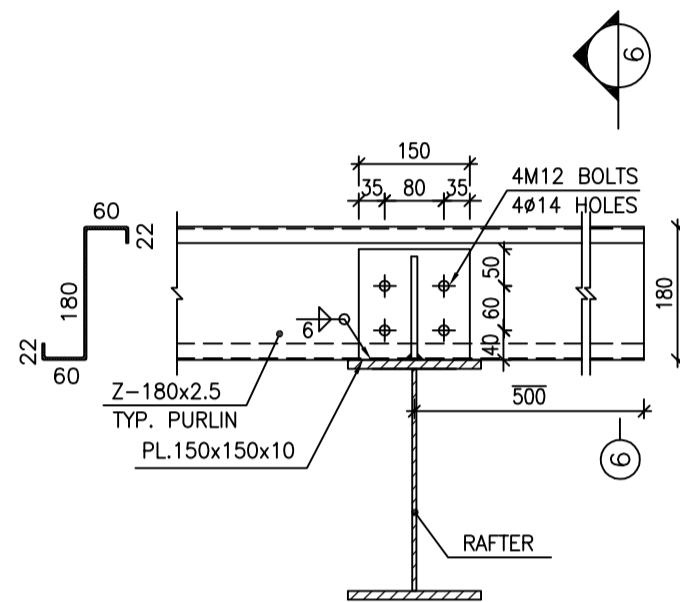
1:100 2 ROOF HORIZONTAL BRACING PLAN



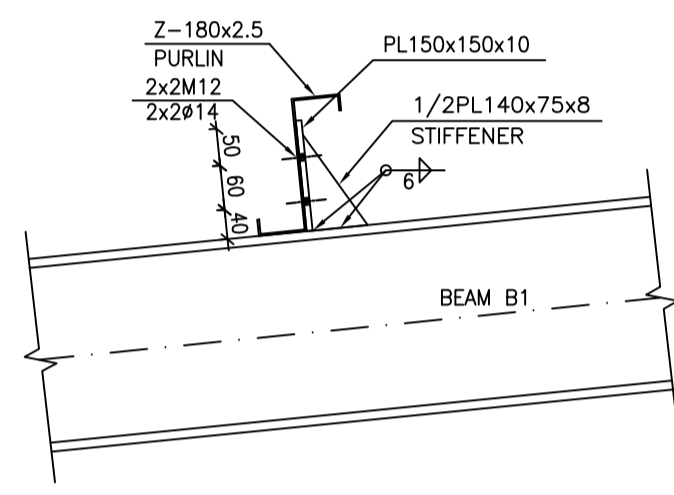
1:100 3 ROOF PURLIN PLAN



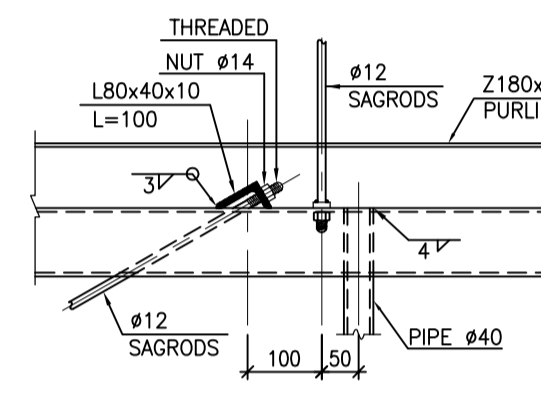
1:10 4



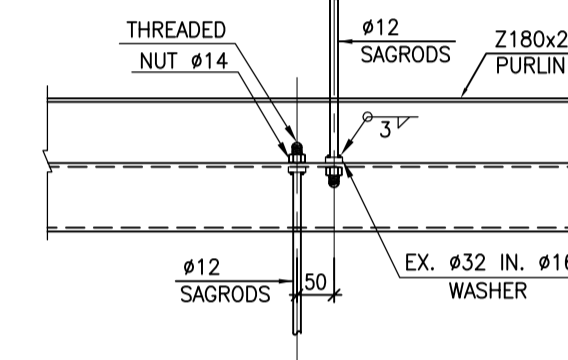
1:10 5



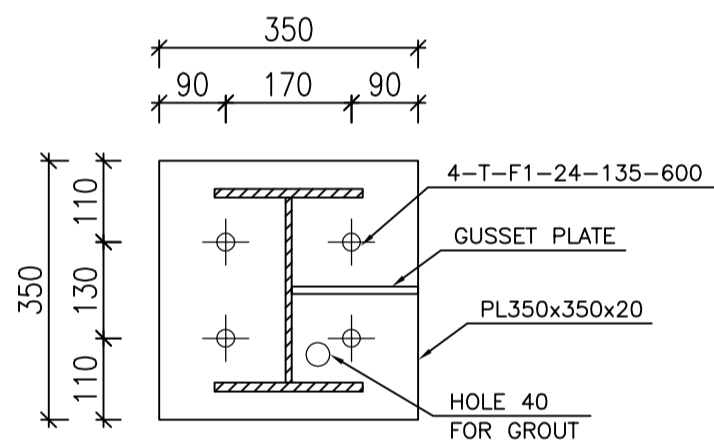
1:10 6



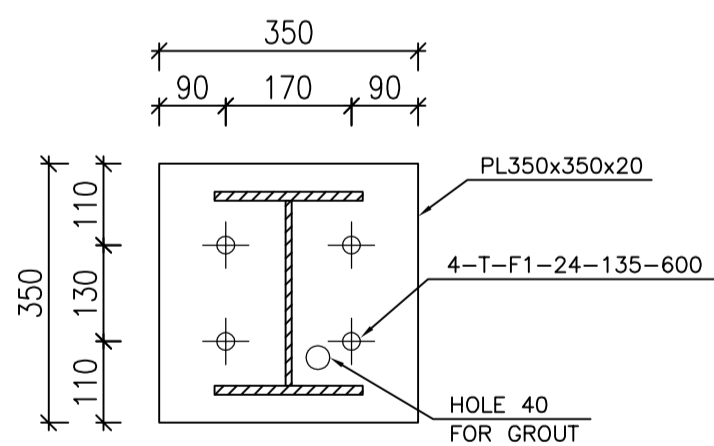
1:10 7



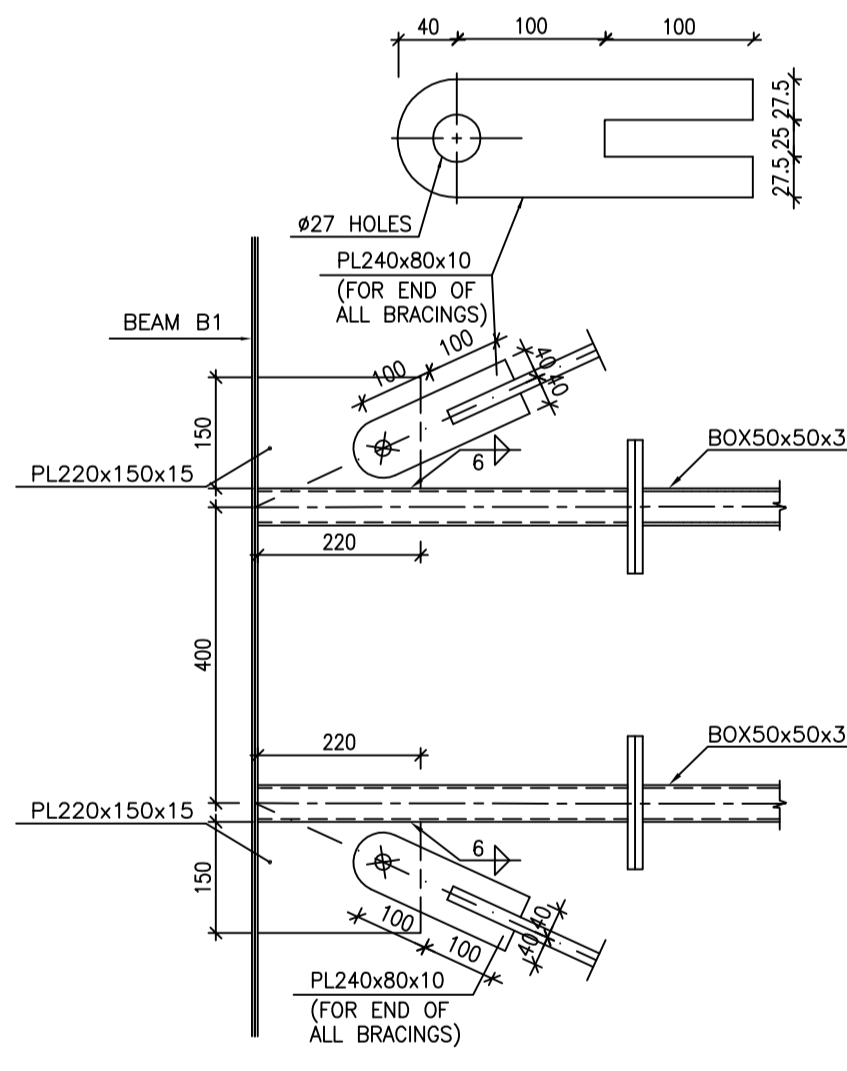
1:10 8



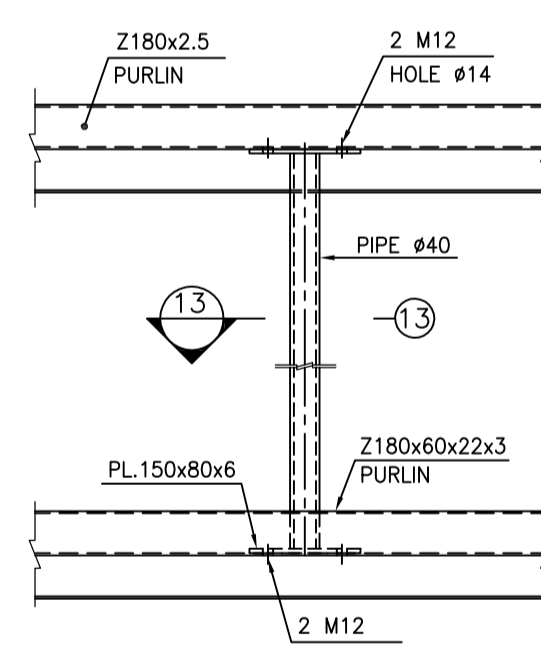
1:10 9 BASE PLATE 1 N=4



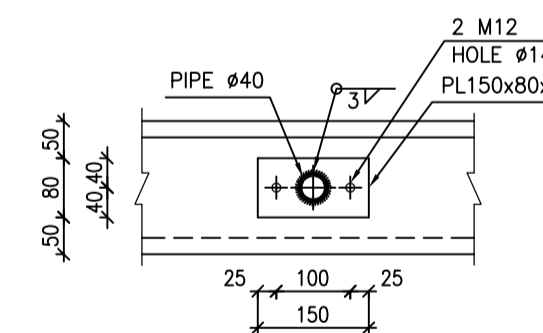
1:10 10 BASE PLATE 2 N=2



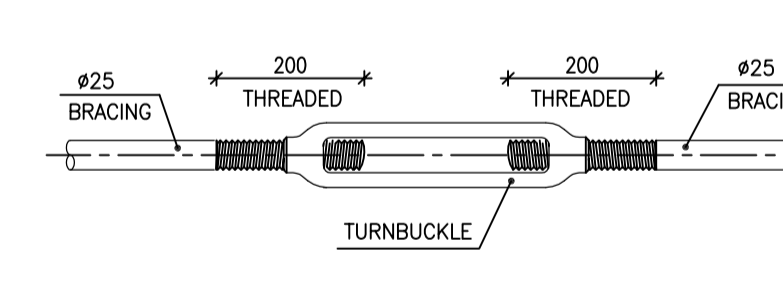
1:10 11 TYP. ROOF BRACINGS CONNECTION



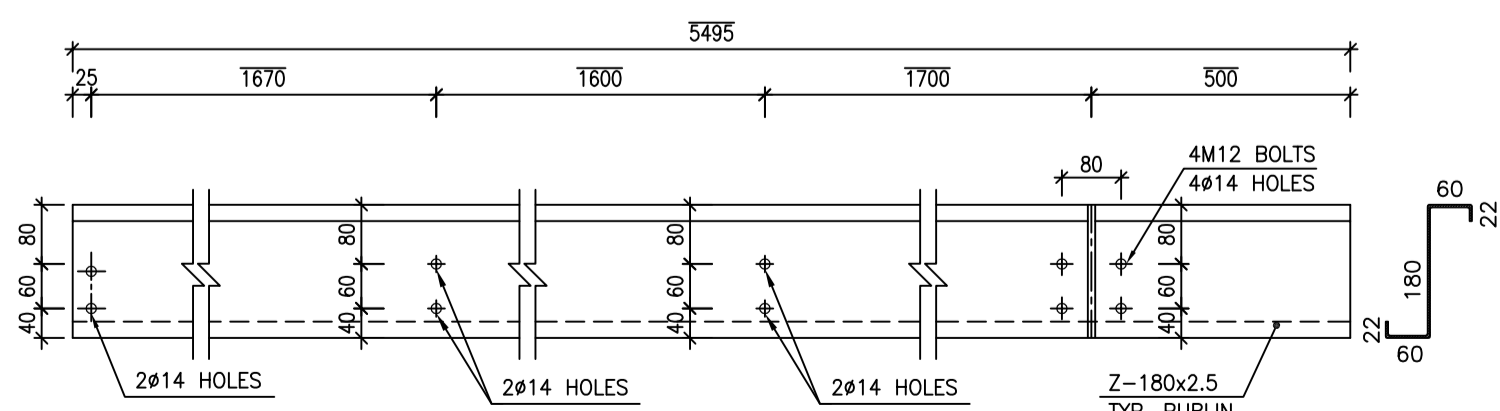
1:10 12 TYP. PIPE TO PURLIN CONNECTION DETAIL



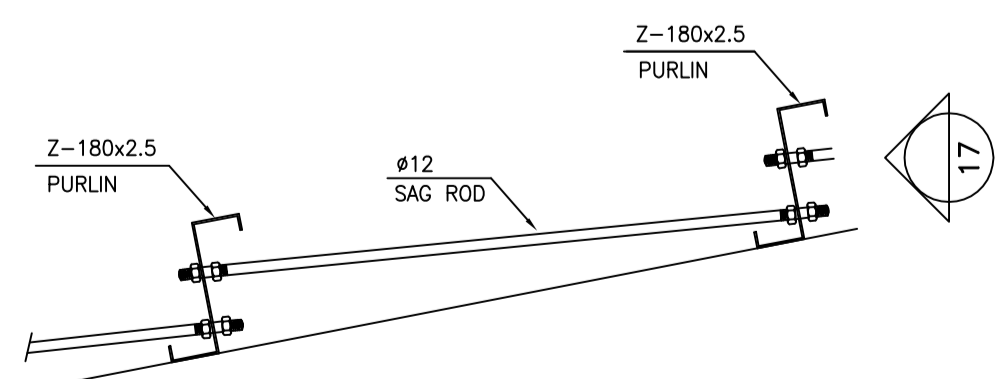
1:10 13



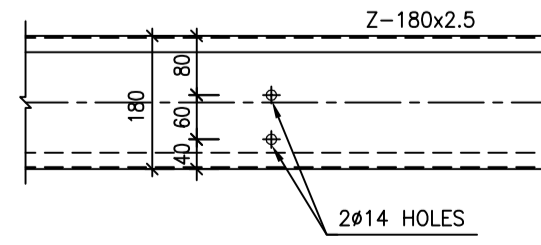
N.T.S. 14 TYP. TURNBUCKLE



1:10 15 TYPICAL ROOF PURLIN



N.T.S.C. 16 TYPICAL CONNECTION SAGROD TO PURLIN



1:10 17

DO2 TOTALLY REVISED

NOTES

- 1) ALL ELEVATIONS AND COORDINATES ARE IN "m" AND DIMENSIONS ARE IN "mm" UNLESS OTHERWISE NOTED.
- 2) ALL DIMENSIONS AND ELEVATIONS SHALL BE CHECKED BY THE CONTRACTOR PRIOR TO CONSTRUCTION.
- 3) STRUCTURAL STEEL SHAPE & PLATES SHALL CONFORM TO ISIRI 14262-2(S235JR) OR S235JR WITH MINIMUM YIELD STRESS OF $F_y=2400 \text{ kg/cm}^2$
- 4) ALL BOLTS ARE HIGH STRENGTH BOLTS GRADE 8.8 WITH MINIMUM TENSILE STRENGTH OF $F_u=800 \text{ MPa}$.
- 5) ALL WELDING SHALL BE IN ACCORDANCE WITH THE LATEST EDITION OF STRUCTURAL WELDING CODE, AWS D1.1/D1.1M.
- 6) TYPE OF WELDING ELECTRODE SHALL BE E70 AND IN ACCORDANCE WITH SPECIFICATION FOR STRUCTURAL STEEL FABRICATION AND ERECTION.

BK-GENERAL-PEDCO-000-ST-SP-0003
BK-GENERAL-PEDCO-000-ST-SP-0005

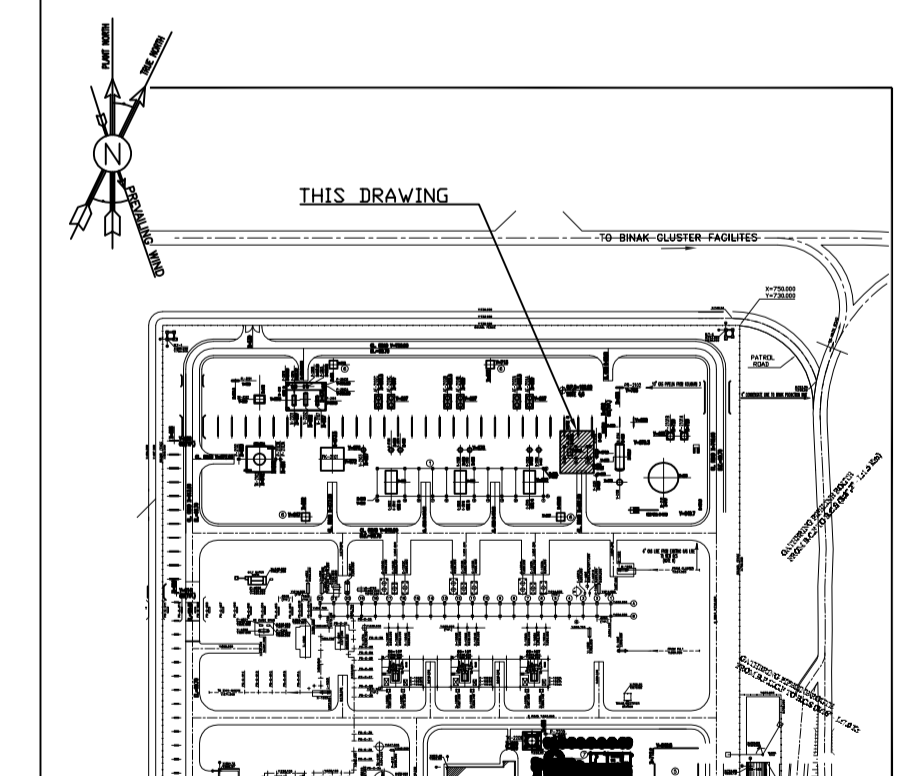
±0.00 = +11.20(F.G.L)MSL

LEGEND

F.G.L. : FINISH GROUND LEVEL		REINFORCED CONCRETE
B.O.B.PL. : BOTTOM OF BASE PLATE		LEAN CONCRETE
C.O.S.T. : CENTER OF STRUT		GROUND
C.O.B. : CENTER OF BEAM		
T.O.CR. : TOP OF CRANE		
T.O.S. : TOP OF STEEL		
N.T.S. : NOT TO SCALED		
C.O.S.T. : CENTER OF STRUT		

REFERENCE DRAWING	DRG. No.
CALCULATION NOTE FOR CHEMICAL INJECTION AND STORAGE SHELTER	BK-GCS-PEDCO-120-ST-CN-0026
FOUNDATION DRAWING FOR CHEMICAL INJECTION AND STORAGE SHELTER	BK-GCS-PEDCO-120-ST-DW-0057
ARCHITECTURAL DRAWING FOR CHEMICAL INJ. PAKAGES /CHEMICAL STORAGE SHELTER	BK-GCS-PEDCO-120-AR-DW-0004
STANDARD DRAWING FOR ANCHOR BOLTS	BK-GNRL-PEDCO-000-ST-DW-0002
GENERAL NOTES-STEEL STRUCTURES	BK-GNRL-PEDCO-000-ST-DW-0011
GENERAL NOTES-REINFORCED CONCRETE STRUCTURES	BK-GNRL-PEDCO-000-ST-DW-0012
SPECIFICATION FOR ERECTION OF STEEL STRUCTURES	BK-GNRL-PEDCO-000-ST-SP-0005
SPECIFICATION FOR FABRICATION OF STEEL STRUCTURES	BK-GNRL-PEDCO-000-ST-SP-0003
SPECIFICATION FOR STEEL STRUCTURAL WORK	BK-GNRL-PEDCO-000-ST-SP-0008
UNIT PLOT PLAN DRAWING	BK-GCS-PEDCO-120-PL-PY-0001
GEOTECHNICAL INVESTIGATION REPORT FOR COMPRESSOR STATION	BK-GCS-PEDCO-120-GT-RT-0001
SPECIFICATION FOR GROUTING	BK-GNRL-PEDCO-000-ST-SP-0004
SPECIFICATION FOR PAINTING	BK-GNRL-PEDCO-000-PI-SP-0006

KEY PLAN



REV.	DATE	P.O.I.S	PREP.	CHK.	APP.	AUT.	DESCRIPTION	BY	DATE	BY	DATE	
D02	SEP.2023	IFA	R.BERLOUIE	M.FAKHARIAN	S.FARAMARZPOUR	***						
D01	JUN.2023	IPC	R.BERLOUIE	M.FAKHARIAN	A.M.MOHSSENI	***						
D00	AUG.2022	IPC	R.BERLOUIE	M.FAKHARIAN	M.MEHRSHAD	***						
REV.	DATE	P.O.I.S	PREP.	CHK.	APP.	AUT.	DESCRIPTION	CHECKED	REV.	APP.		
PROJECT NAME:							BINAQ OILFIELD DEVELOPMENT/SURFACE FACILITIES GAS COMPRESSOR STATION					
PROJECT NO.:							971020					
EPC CONTRACTOR:							EPD/EPC CONTRACTOR (GC):					
 HIRGAN ENERGY - DESIGN & INSPECTION COMPANIES							 PETROIRAN DEVELOPMENT COMPANY					
DRAWING TITLE:							STRUCTURAL DRAWING FOR CHEMICAL INJECTION AND STORAGE SHELTER					
NO CONSTRUCTION PERMITTED UNLESS DRAWING APPROVED							APPROVED FOR CONSTRUCTION					
SCALE							BY:					
DATE							DATE:					
SCALE	SIZE	DRAWING NO.		SHEET NO.	REV.	BUDGET REF.	LOCATION	SIZE	CLASS	SERIAL NO.	SHEET	REVISION
AS SHOWN	A1	BK-GCS-PEDCO-120-ST-DW-0058		1 OF 4	D02	053-073-9184	F	4	M	709195	1	D02

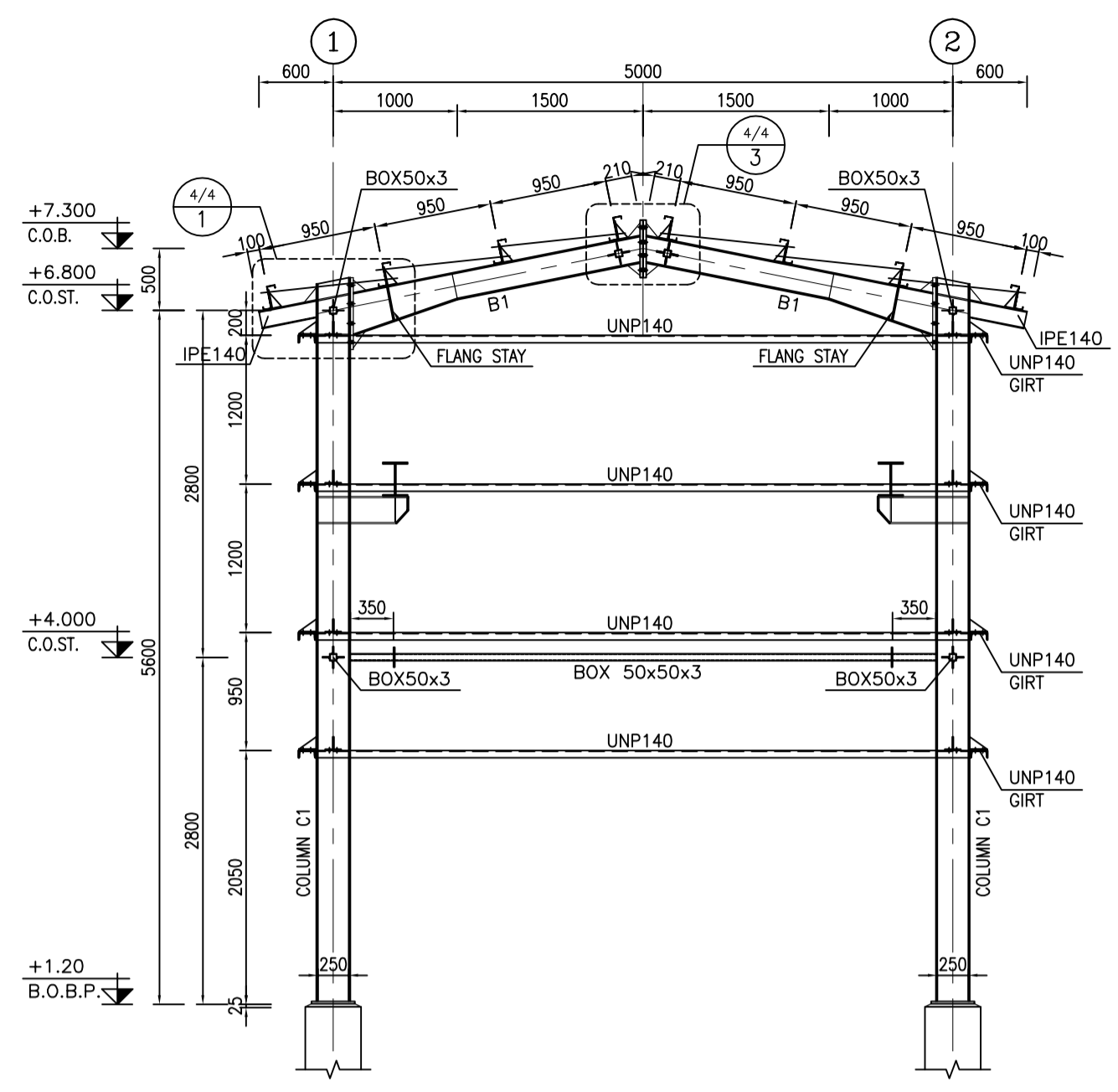
اسم و کلیه نسخ این نقشه و حق اقتباس متعلق به شرکت ملی مناطق نفت خیز جنوب میباشد.
THE ORIGINAL AND ALL COPIES OF THIS DRAWING TOGETHER WITH THE COPYRIGHT THEREIN ARE THE SOLE PROPERTY OF N.I.S.O.C./ FIELDS

BINAQ OILFIELD DEVELOPMENT SURFACE FACILITIES GAS COMPRESSOR STATION

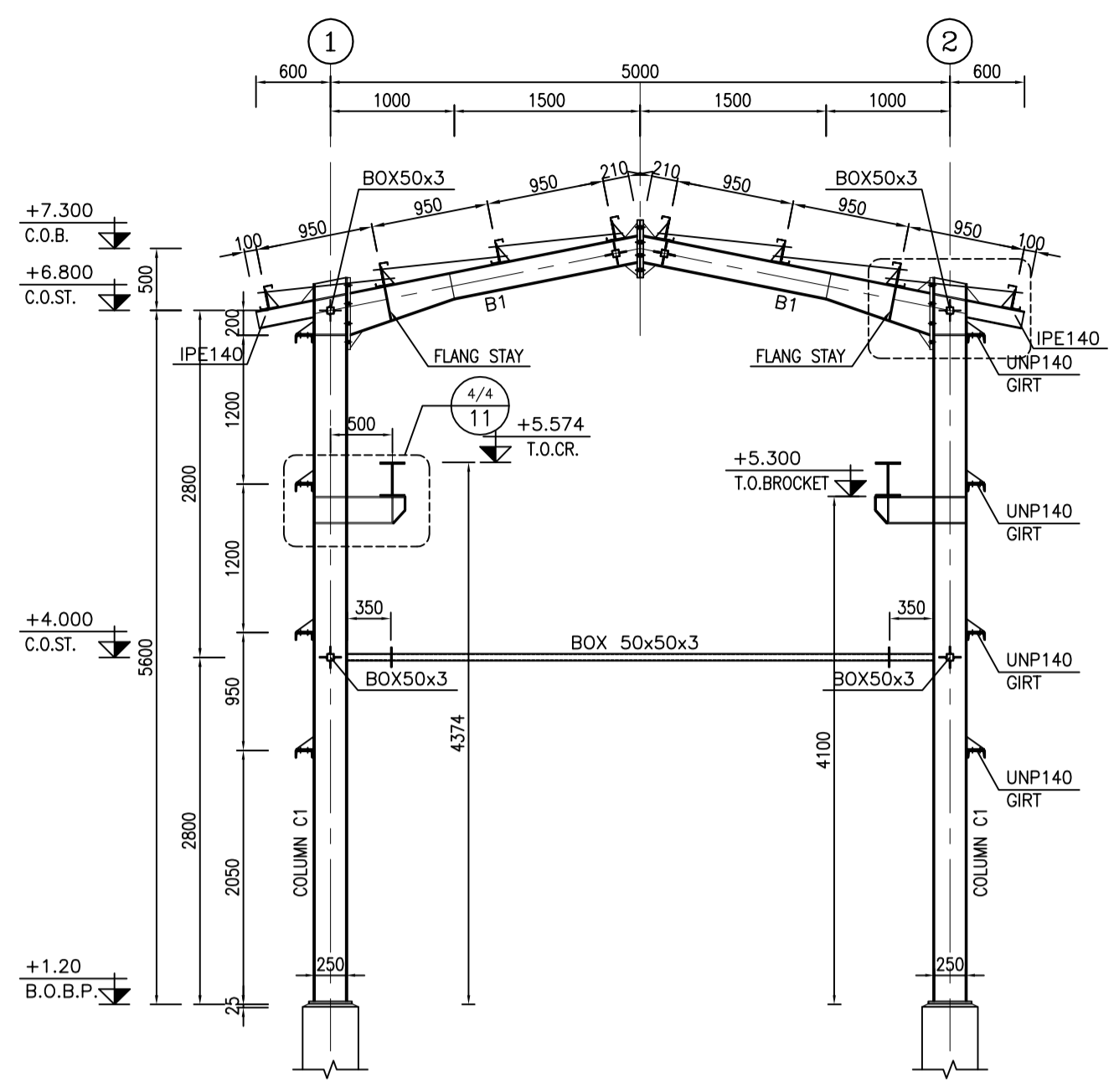
DATE SCALE DRAWING BY CHECKED BY PROJECT ENG.

NO CONSTRUCTION PERMITTED UNLESS DRAWING APPROVED

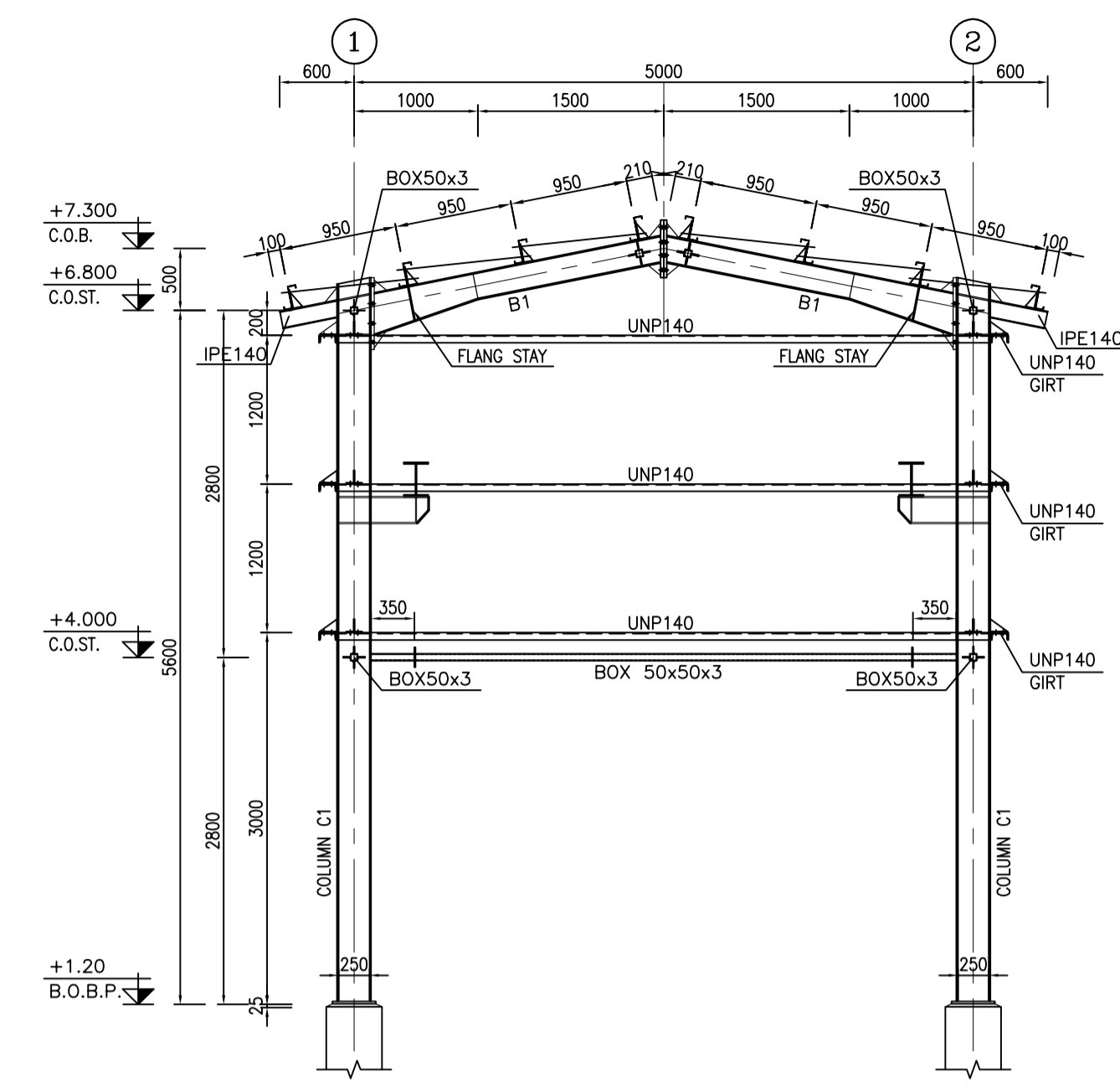
APPROVED FOR CONSTRUCTION BY: DATE:



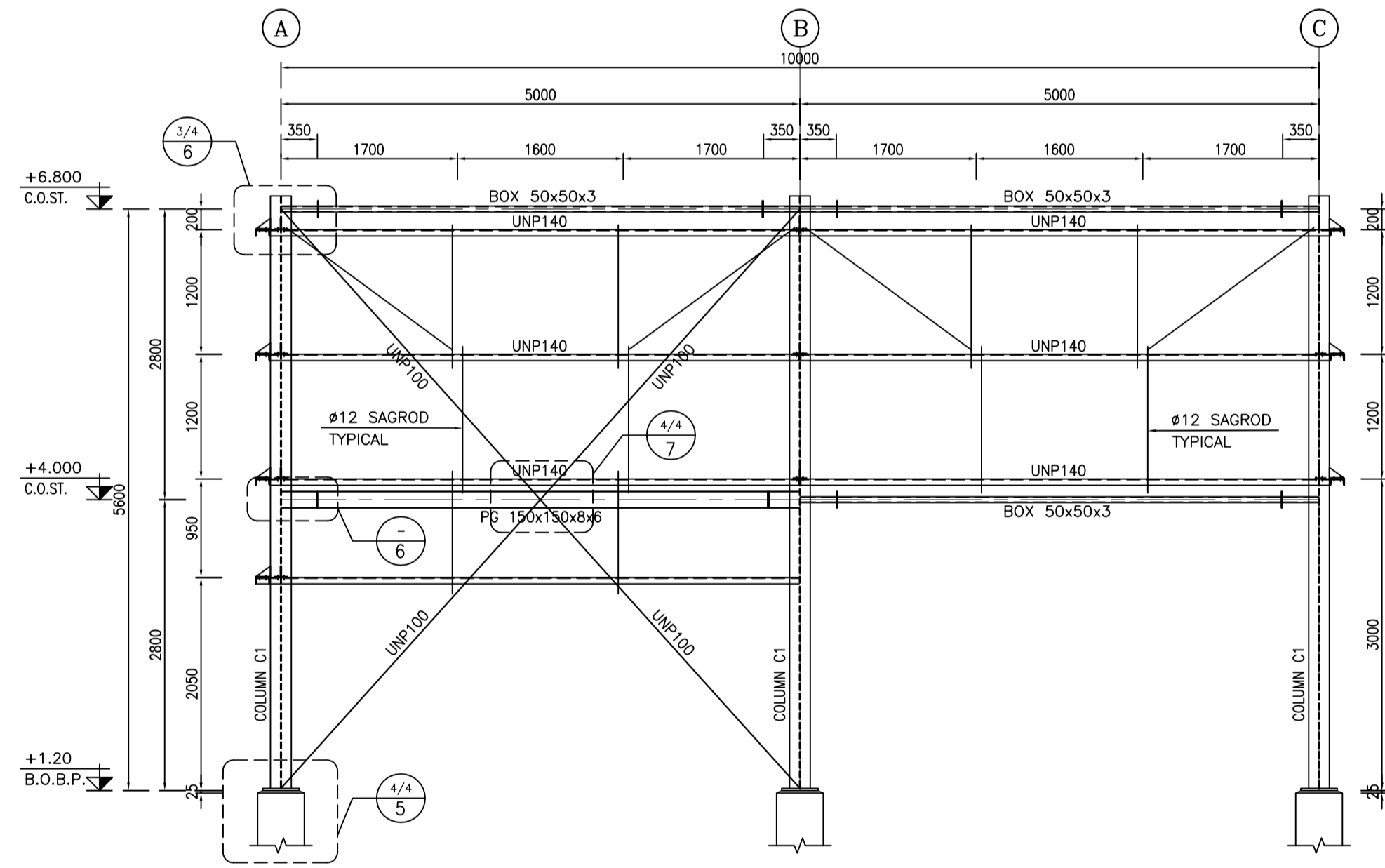
1:50 1 FRAMING ELEVATION ON AXIS A



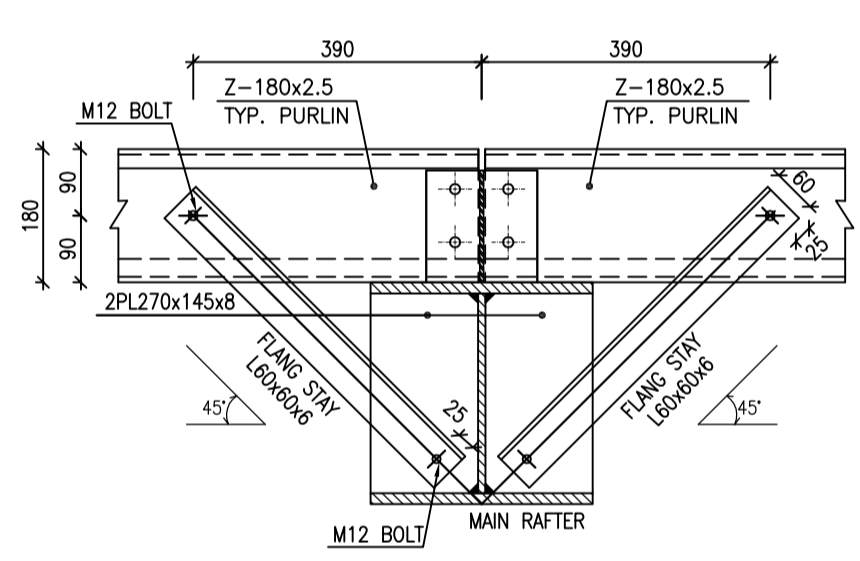
1:50 2 FRAMING ELEVATION ON AXIS B



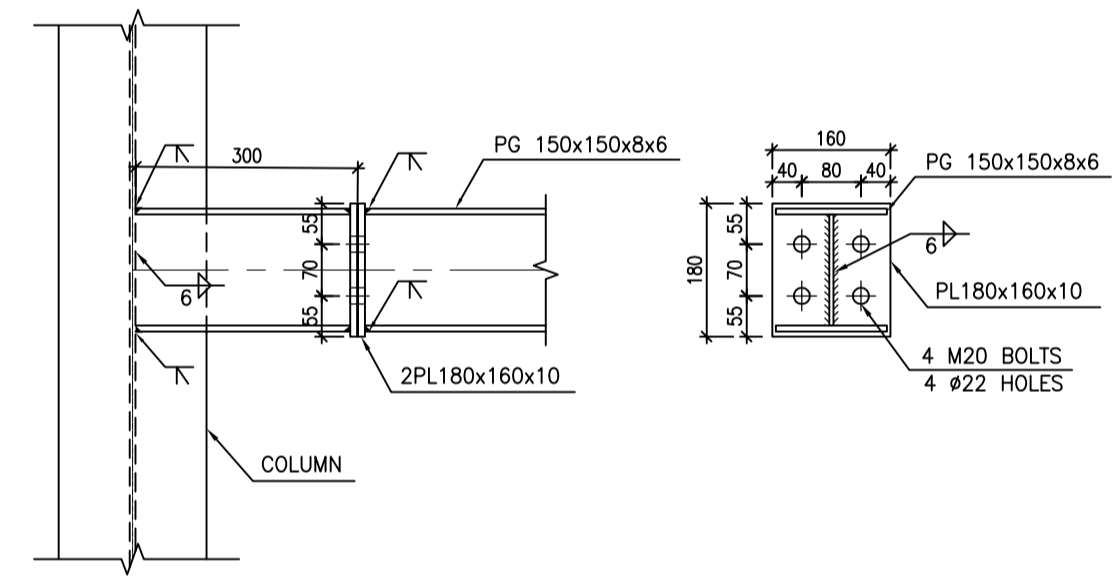
1:50 3 FRAMING ELEVATION ON AXIS C



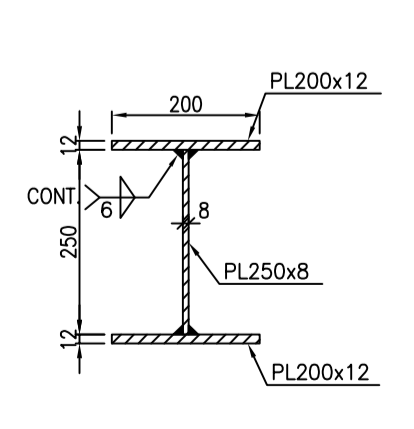
1:50 4 FRAMING ELEVATION ON AXES 1&2



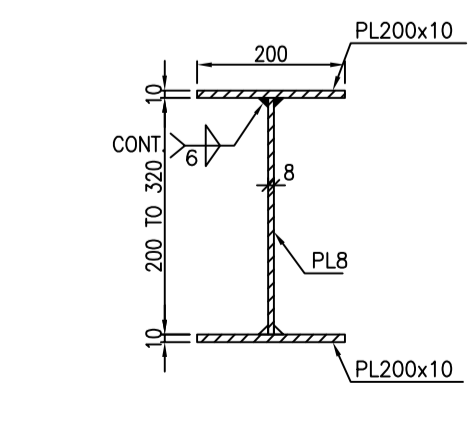
1:10 5 FLANG STAY TYPICAL DETAIL



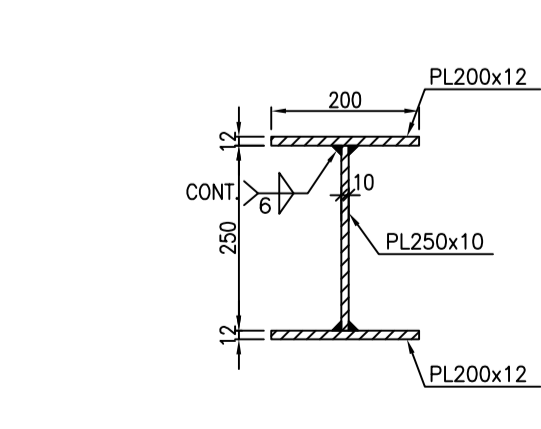
1:10 6 TYPICAL DETAIL OF PG150x150x6



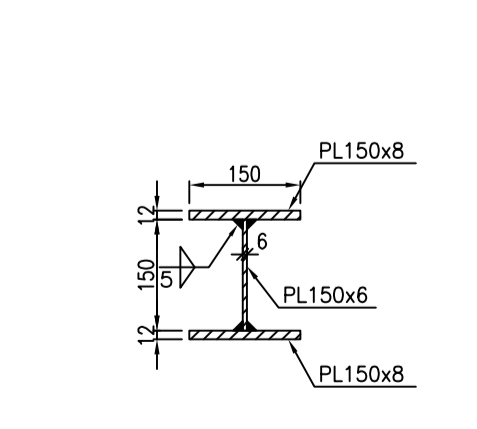
1:10 7 COLUMN C1



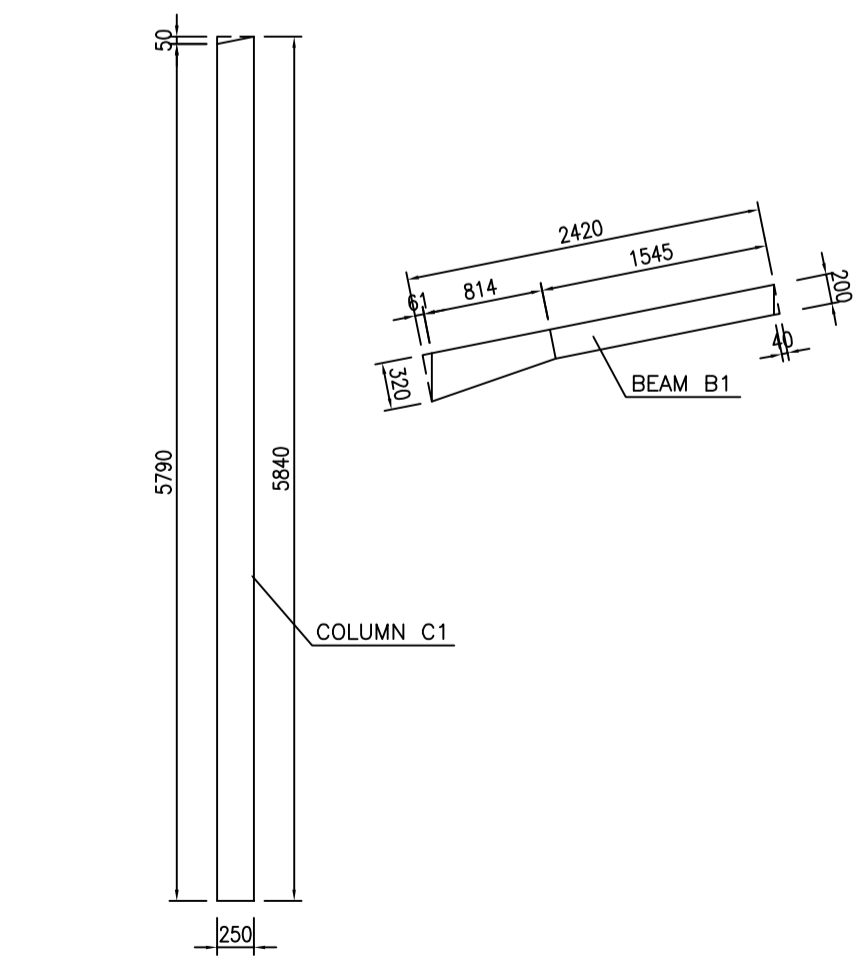
1:10 8 BEAM B1



1:10 9 CRANE RUNWAY BEAM



1:10 10 P.G.A. 150



1:50 11 WEB OF COLUMN C1 & BEAM B1 DETAIL

TOTALLY REVISED

NOTES

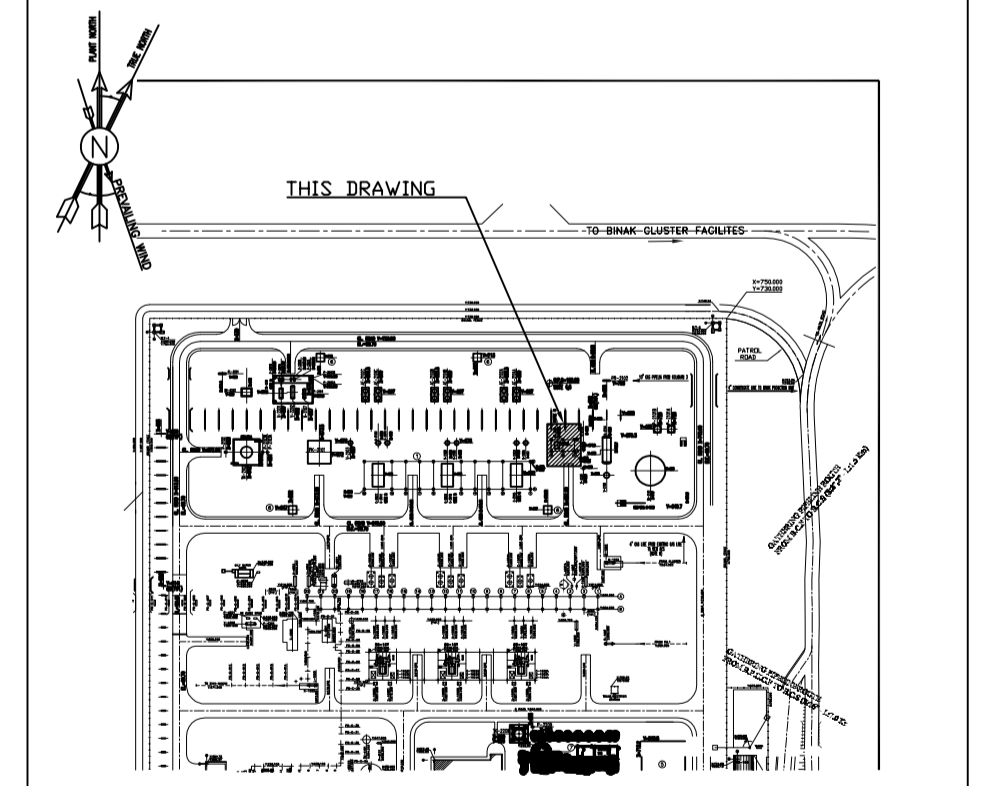
- 1) ALL ELEVATIONS AND COORDINATES ARE IN "m" AND DIMENSIONS ARE IN "mm" UNLESS OTHERWISE NOTED.
- 2) ALL DIMENSIONS AND ELEVATIONS SHALL BE CHECKED BY THE CONTRACTOR PRIOR TO CONSTRUCTION.
- 3) STRUCTURAL STEEL SHAPE & PLATES SHALL CONFORM TO ISIRI 14262-2(S235JR) OR S235JR WITH MINIMUM YIELD STRESS OF $F_y=2400 \text{ kg/cm}^2$
- 4) ALL BOLTS ARE HIGH STRENGTH BOLTS GRADE 8.8 WITH MINIMUM TENSILE STRENGTH OF $F_u=800 \text{ MPa}$.
- 5) ALL WELDING SHALL BE IN ACCORDANCE WITH THE LATEST EDITION OF STRUCTURAL WELDING CODE, AWS D1.1/D1.1M.
- 6) TYPE OF WELDING ELECTRODE SHALL BE E70 AND IN ACCORDANCE WITH SPECIFICATION FOR STRUCTURAL STEEL FABRICATION AND ERECTION.
BK-GENERAL-PEDCO-000-ST-SP-0003
BK-GENERAL-PEDCO-000-ST-SP-0005

LEGEND

- F.G.L. : FINISH GROUND LEVEL
 B.O.B.PL. : BOTTOM OF BASE PLATE
 C.O.ST. : CENTER OF STRUT
 C.O.B. : CENTER OF BEAM
 T.O.CR. : TOP OF CRANE
 N.T.S. : NOT TO SCALED
 C.O.ST. : CENTER OF STRUT
- REINFORCED CONCRETE
 - LEAN CONCRETE
 - GROUND

REFERENCE DRAWING	DRG. No.
CALCULATION NOTE FOR CHEMICAL INJECTION AND STORAGE SHELTER	BK-GCS-PEDCO-120-ST-CN-0026
FOUNDATION DRAWING FOR CHEMICAL INJECTION AND STORAGE SHELTER	BK-GCS-PEDCO-120-ST-DW-0057
ARCHITECTURAL DRAWING FOR CHEMICAL INJ. PACKAGES /CHEMICAL STORAGE SHELTER	BK-GCS-PEDCO-120-AR-DW-0004
STANDARD DRAWING FOR ANCHOR BOLTS	BK-GNRL-PEDCO-000-ST-DW-0002
GENERAL NOTES-STEEL STRUCTURES	BK-GNRL-PEDCO-000-ST-DW-0011
GENERAL NOTES-REINFORCED CONCRETE STRUCTURES	BK-GNRL-PEDCO-000-ST-DW-0012
SPECIFICATION FOR ERECTION OF STEEL STRUCTURES	BK-GNRL-PEDCO-000-ST-SP-0005
SPECIFICATION FOR FABRICATION OF STEEL STRUCTURES	BK-GNRL-PEDCO-000-ST-SP-0003
SPECIFICATION FOR STEEL STRUCTURAL WORK	BK-GNRL-PEDCO-000-ST-SP-0008
UNIT PLOT PLAN DRAWING	BK-GCS-PEDCO-120-PL-PY-0001
GEOTECHNICAL INVESTIGATION REPORT FOR COMPRESSOR STATION	BK-GCS-PEDCO-120-GT-RT-0001
SPECIFICATION FOR GROUTING	BK-GNRL-PEDCO-000-ST-SP-0004
SPECIFICATION FOR PAINTING	BK-GNRL-PEDCO-000-PI-SP-0006

KEY PLAN



REV.	DATE	P.O.I.S	PREP.	CHK.	APP.	AUT.	DESCRIPTION	BY	DATE	CHECKED	REV. APPR.
D02	SEP.2023	IFA	R.BERLOUIE	M.FAKHARIAN	S.FARAMARZPOUR	***	*****	***	*****	***	*****
D01	JUN.2023	IFC	R.BERLOUIE	M.FAKHARIAN	A.M.MOHSENI	***					
D00	AUG.2022	IFC	R.BERLOUIE	M.FAKHARIAN	M.MEHRSHAD	***					

PROJECT NAME: BINAK OILFIELD DEVELOPMENT/SURFACE FACILITIES GAS COMPRESSOR STATION

PROJECT NO.: 971020

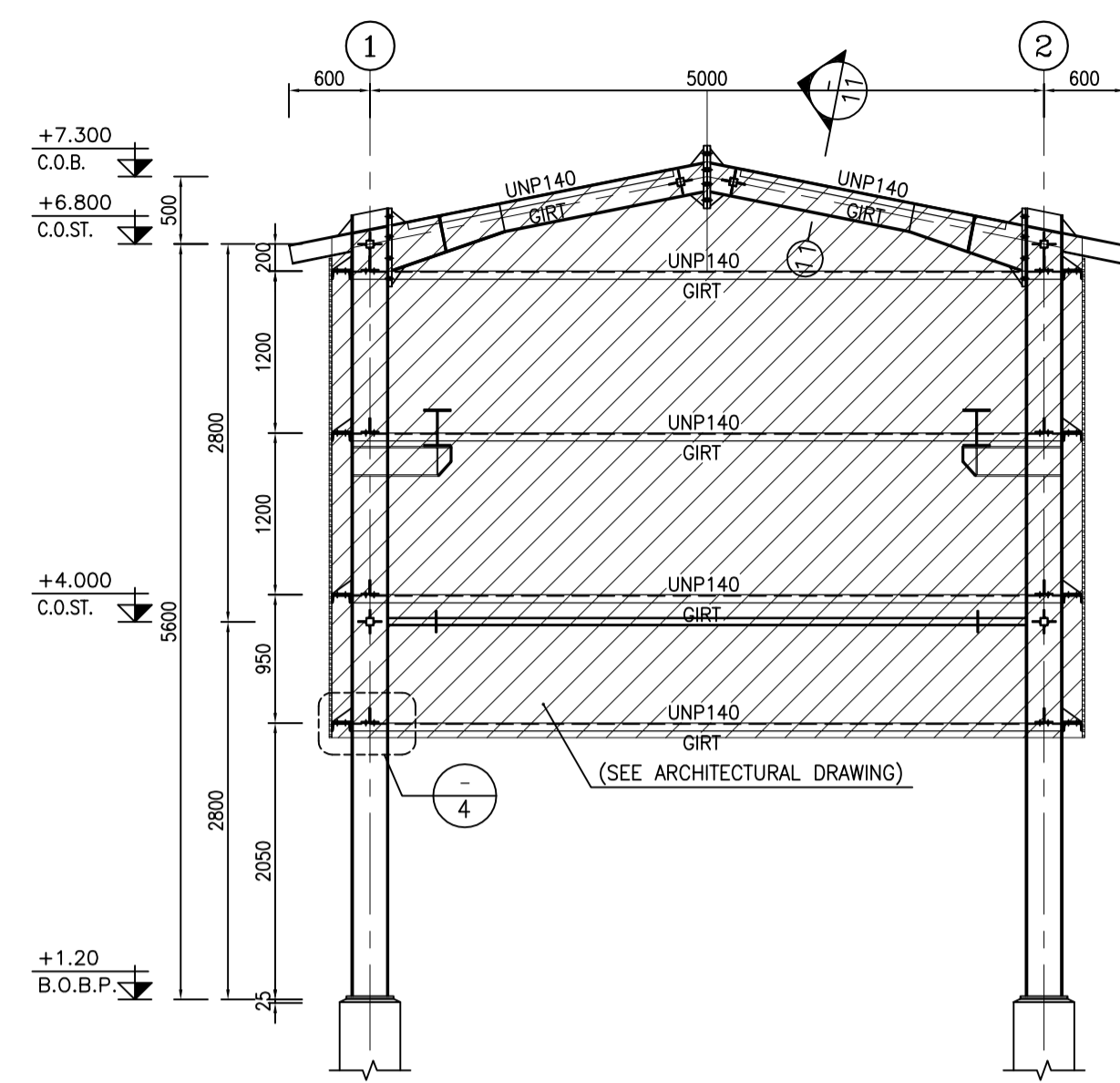
EPC CONTRACTOR: HIRGAN ENERGY - DESIGN & INSPECTION COMPANIES

EPD/EPC CONTRACTOR (GC): PETROIRAN DEVELOPMENT COMPANY

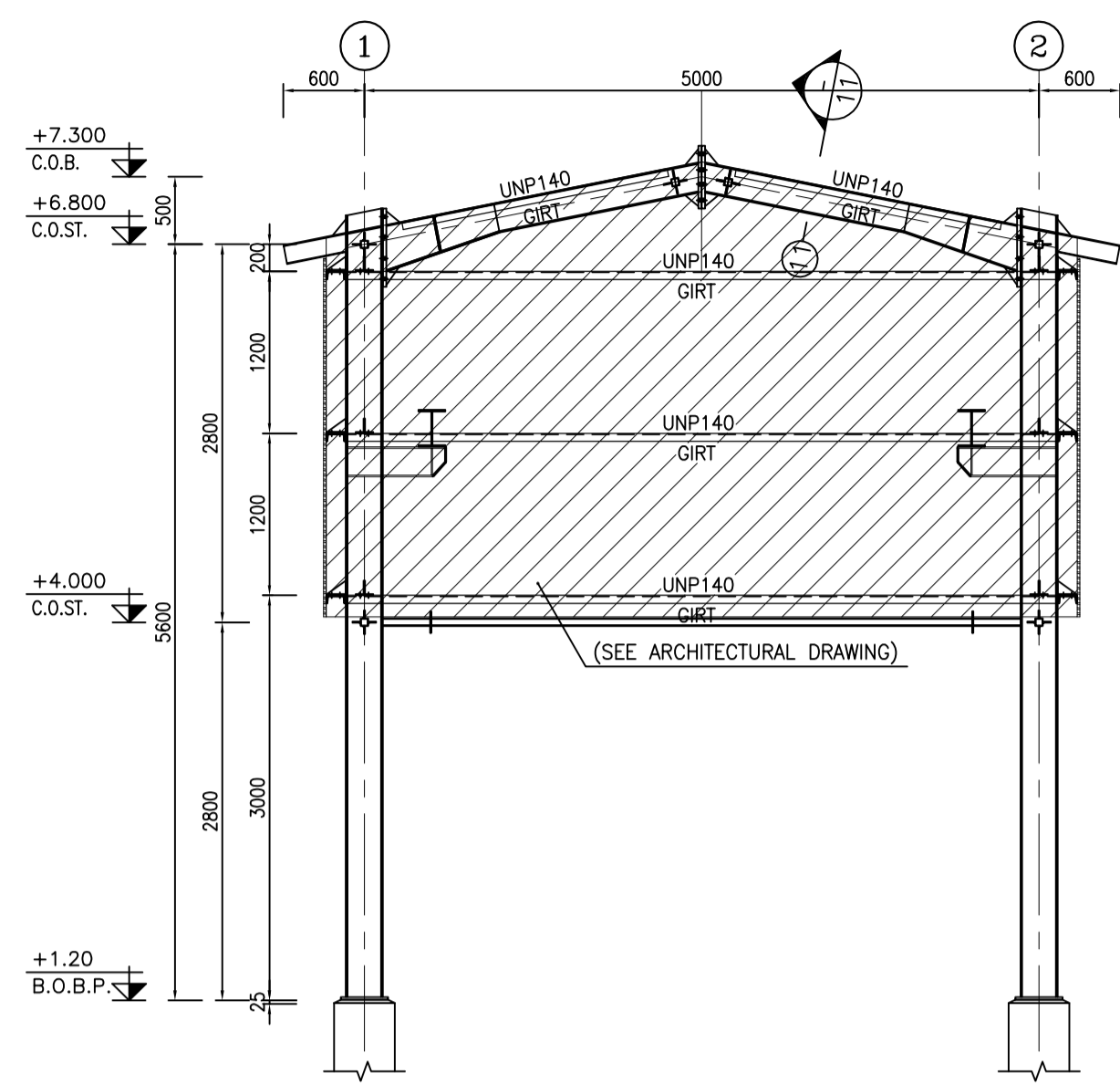
DRAWING TITLE: STRUCTURAL DRAWING FOR CHEMICAL INJECTION AND STORAGE SHELTER

NO CONSTRUCTION PERMITTED UNLESS DRAWING APPROVED

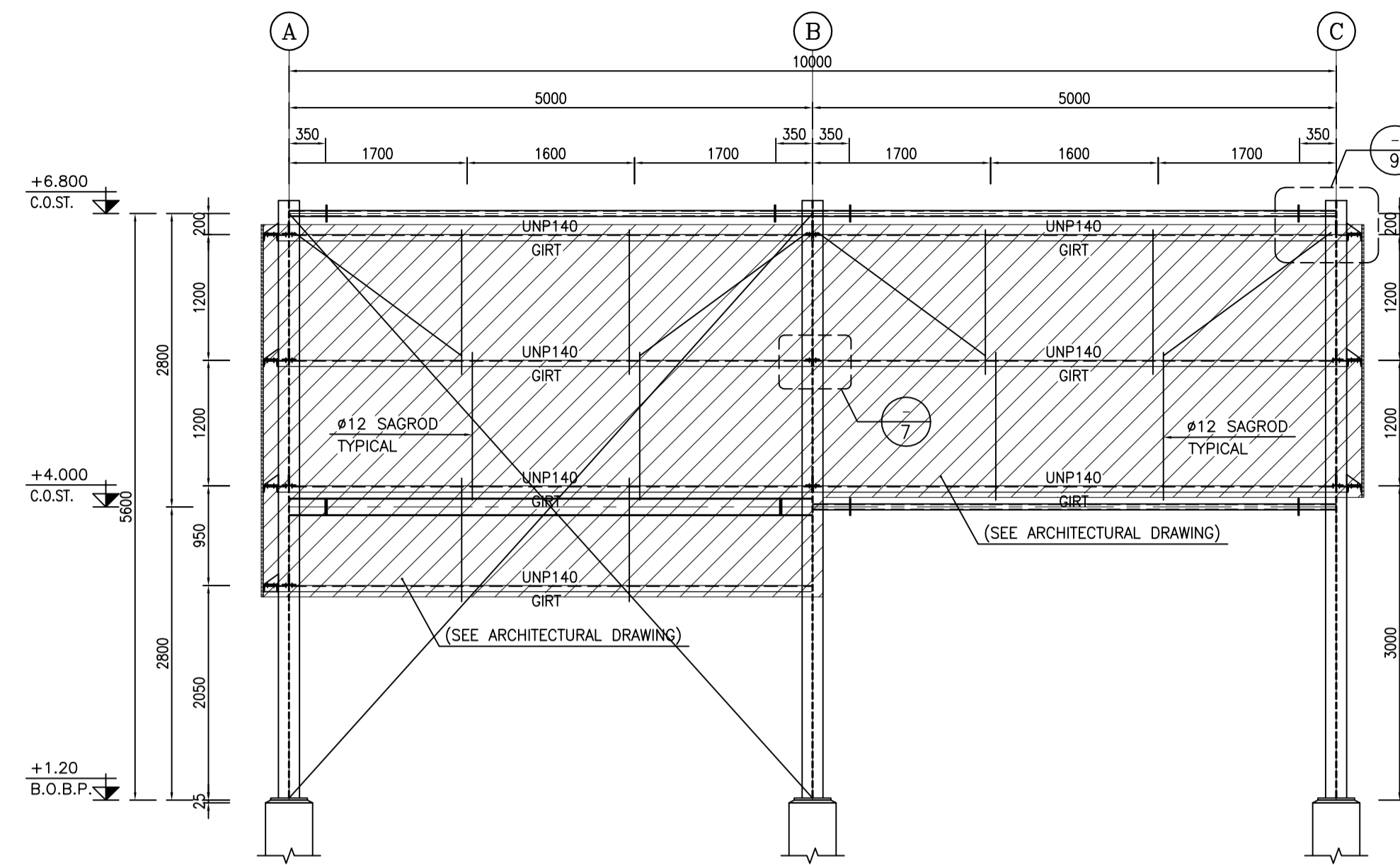
SCALE	SIZE	DRAWING NO.	SHEET NO.	REV.	BUDGET REF.	LOCATION	SIZE	CLASS	SERIAL NO.	SHEET	REVISION
AS SHOWN	A1	BK-GCS-PEDCO-120-ST-DW-0058	2 OF 4	D02	053-073-9184	F	4	M	709195	2	D02



FRAMING ELEVATION ON AXIS A
1:50



FRAMING ELEVATION ON AXIS C
1:50



FRAMING ELEVATION ON AXES 1&2
1:50

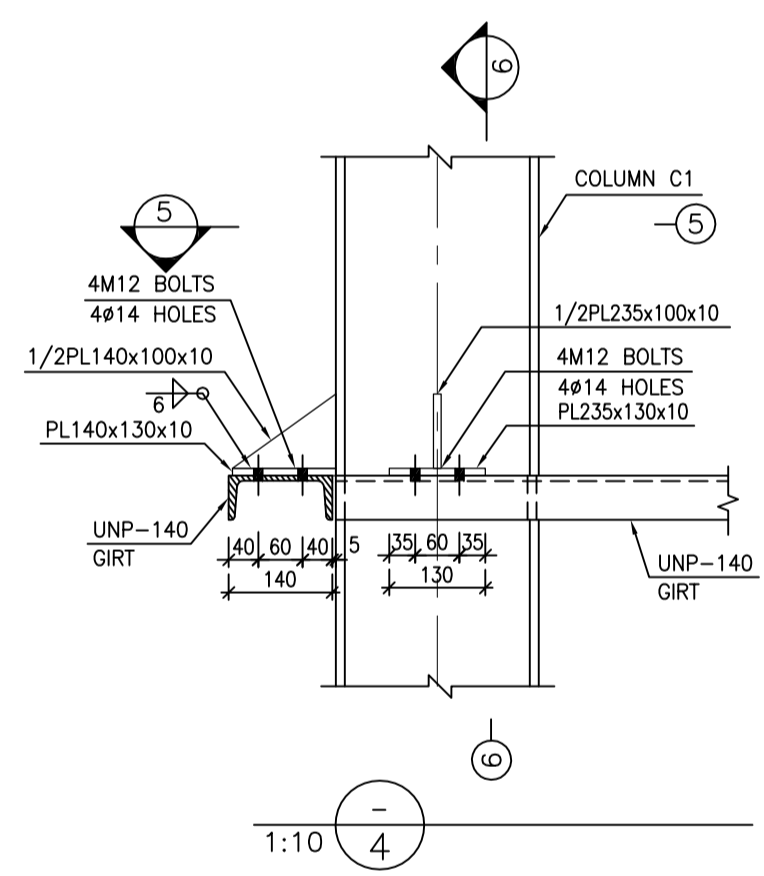
- NOTES**
- 1) ALL ELEVATIONS AND COORDINATES ARE IN "m" AND DIMENSIONS ARE IN "mm" UNLESS OTHERWISE NOTED.
 - 2) ALL DIMENSIONS AND ELEVATIONS SHALL BE CHECKED BY THE CONTRACTOR PRIOR TO CONSTRUCTION.
 - 3) STRUCTURAL STEEL SHAPE & PLATES SHALL CONFORM TO ISIRI 14262-2(S235JR) OR S235JR WITH MINIMUM YIELD STRESS OF $F_y=2400 \text{ kg/cm}^2$
 - 4) ALL BOLTS ARE HIGH STRENGTH BOLTS GRADE 8.8 WITH MINIMUM TENSILE STRENGTH OF $F_u=800 \text{ MPa}$.
 - 5) ALL WELDING SHALL BE IN ACCORDANCE WITH THE LATEST EDITION OF STRUCTURAL WELDING CODE, AWS D1.1/D1.1M.
 - 6) TYPE OF WELDING ELECTRODE SHALL BE E70 AND IN ACCORDANCE WITH SPECIFICATION FOR STRUCTURAL STEEL FABRICATION AND ERECTION.
BK-GENERAL-PEDCO-000-ST-SP-0003
BK-GENERAL-PEDCO-000-ST-SP-0005

$\pm 0.00 = +11.20(\text{F.G.L})\text{MSL}$

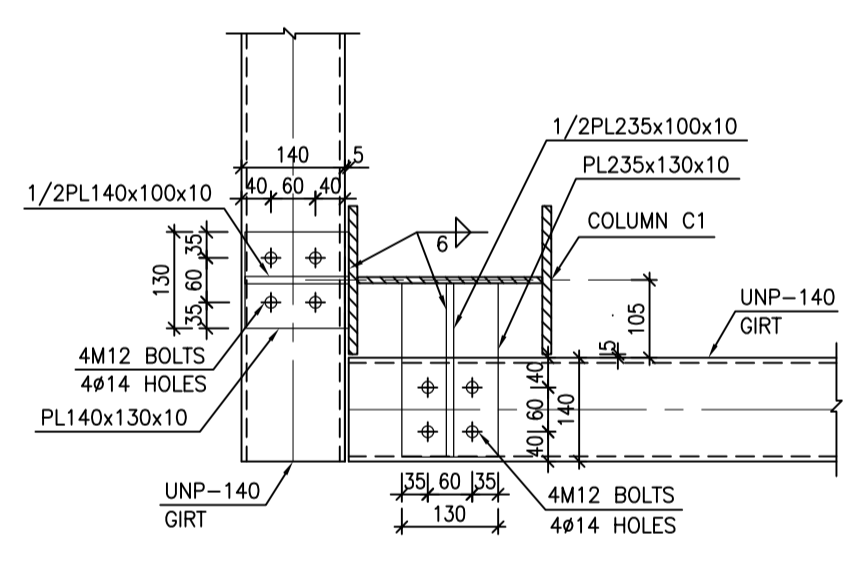
LEGEND

F.G.L. : FINISH GROUND LEVEL		REINFORCED CONCRETE
B.O.B.PL. : BOTTOM OF BASE PLATE		LEAN CONCRETE
C.O.ST. : CENTER OF STRUT		GROUND
C.O.B. : CENTER OF BEAM		
T.O.CR. : TOP OF CRANE		
T.O.S. : TOP OF STEEL		
N.T.S. : NOT TO SCALED		
C.O.ST. : CENTER OF STRUT		

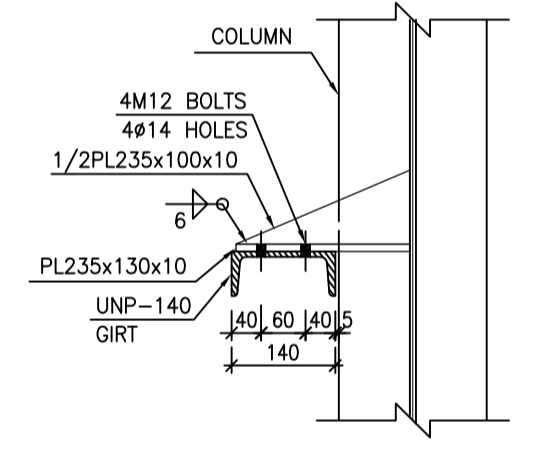
REFERENCE DRAWING	DRG. No.
CALCULATION NOTE FOR CHEMICAL INJECTION AND STORAGE SHELTER	BK-GCS-PEDCO-120-ST-CN-0026
FOUNDATION DRAWING FOR CHEMICAL INJECTION AND STORAGE SHELTER	BK-GCS-PEDCO-120-ST-DW-0057
ARCHITECTURAL DRAWING FOR CHEMICAL INJ. PACKAGES /CHEMICAL STORAGE SHELTER	BK-GCS-PEDCO-120-AR-DW-0004
STANDARD DRAWING FOR ANCHOR BOLTS	BK-GNRL-PEDCO-000-ST-DW-0002
GENERAL NOTES-STEEL STRUCTURES	BK-GNRL-PEDCO-000-ST-DW-0011
GENERAL NOTES-REINFORCED CONCRETE STRUCTURES	BK-GNRL-PEDCO-000-ST-DW-0012
SPECIFICATION FOR ERECTION OF STEEL STRUCTURES	BK-GNRL-PEDCO-000-ST-SP-0005
SPECIFICATION FOR FABRICATION OF STEEL STRUCTURES	BK-GNRL-PEDCO-000-ST-SP-0003
SPECIFICATION FOR STEEL STRUCTURAL WORK	BK-GNRL-PEDCO-000-ST-SP-0008
UNIT PLOT PLAN DRAWING	BK-GCS-PEDCO-120-PL-PY-0001
GEOTECHNICAL INVESTIGATION REPORT FOR COMPRESSOR STATION	BK-GCS-PEDCO-120-GT-RT-0001
SPECIFICATION FOR GROUTING	BK-GNRL-PEDCO-000-ST-SP-0004
SPECIFICATION FOR PAINTING	BK-GNRL-PEDCO-000-PI-SP-0006



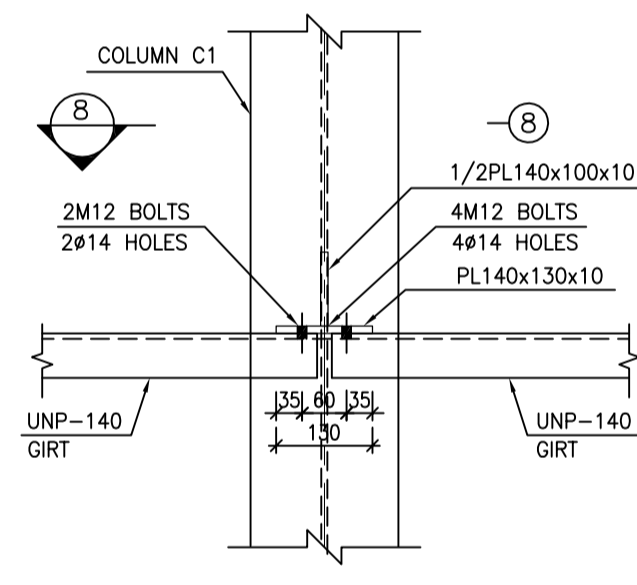
1:10 4



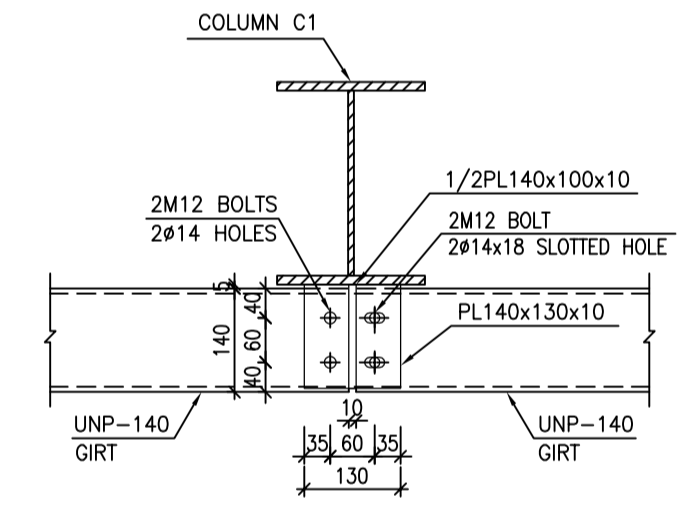
1:10 5



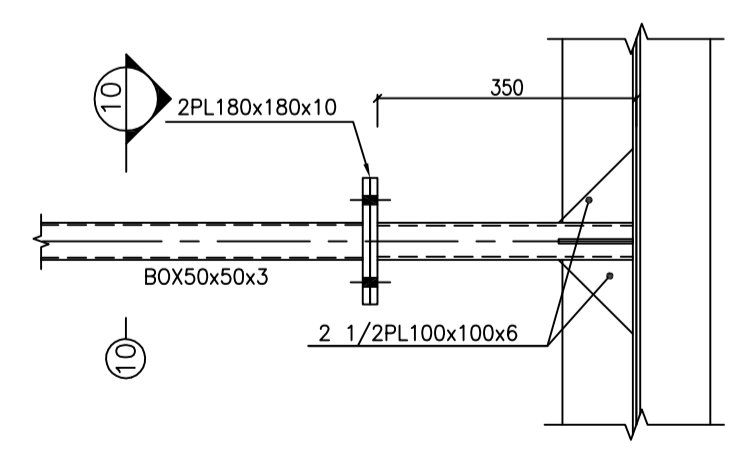
1:10 6



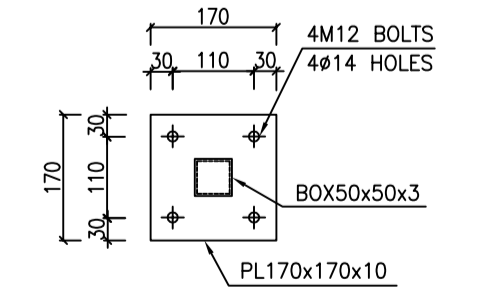
1:10 7



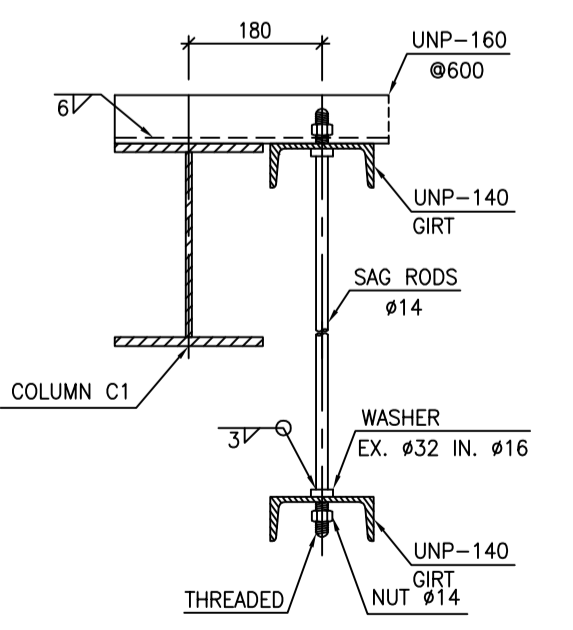
1:10 8



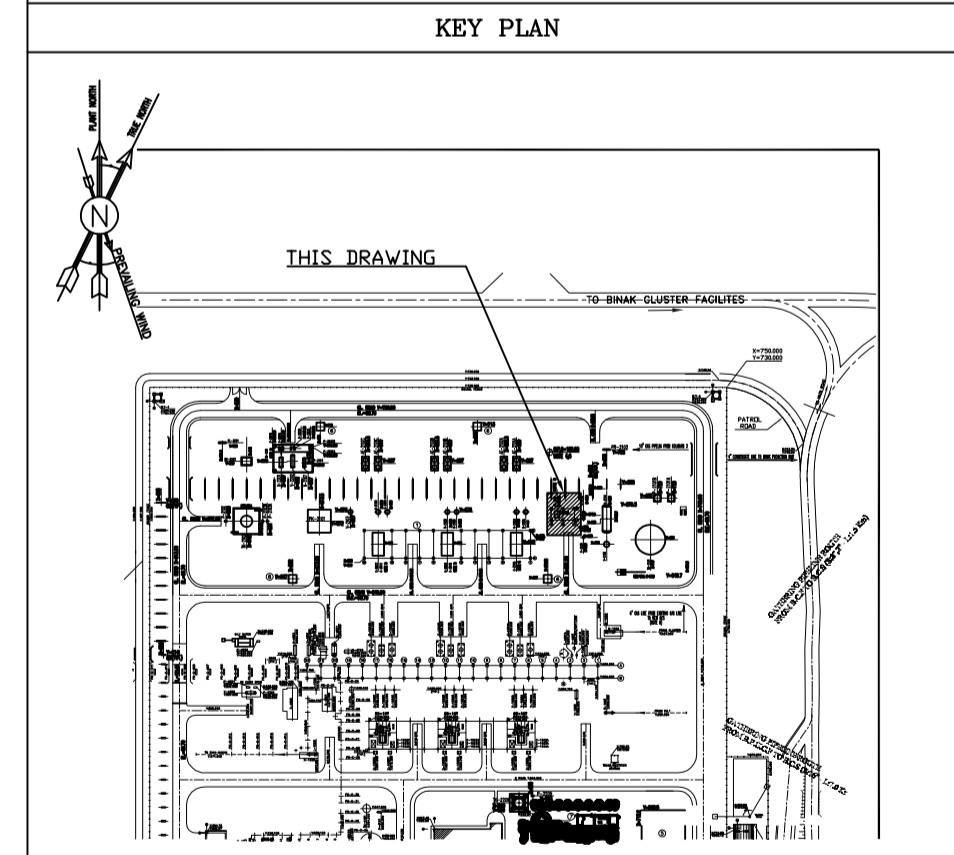
1:10 9



1:10 10



1:10 11



REV.	DATE	P.O.I.S	PREP.	CHK.	APP.	AUT.	DESCRIPTION	BY	DATE	BY	DATE
D02	SEP.2023	IFA	R.BERLOUIE	M.FAKHARIAN	S.FARAMARZPOUR	***					
D01	JUN.2023	IFC	R.BERLOUIE	M.FAKHARIAN	A.M.MOHSSENI	***					
D00	AUG.2022	IFC	R.BERLOUIE	M.FAKHARIAN	M.MEHRSHAD	***					

PROJECT NAME: **BINAK OILFIELD DEVELOPMENT/SURFACE FACILITIES GAS COMPRESSOR STATION**

PROJECT NO.: 971020

EPC CONTRACTOR: **HIRGAN ENERGY** (DESIGN & INSPECTION COMPANIES)

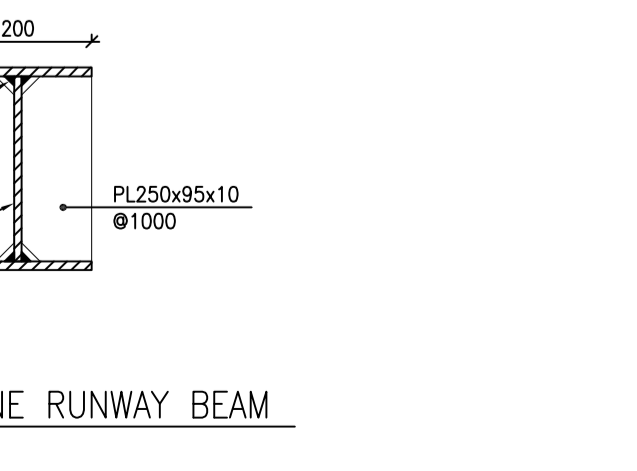
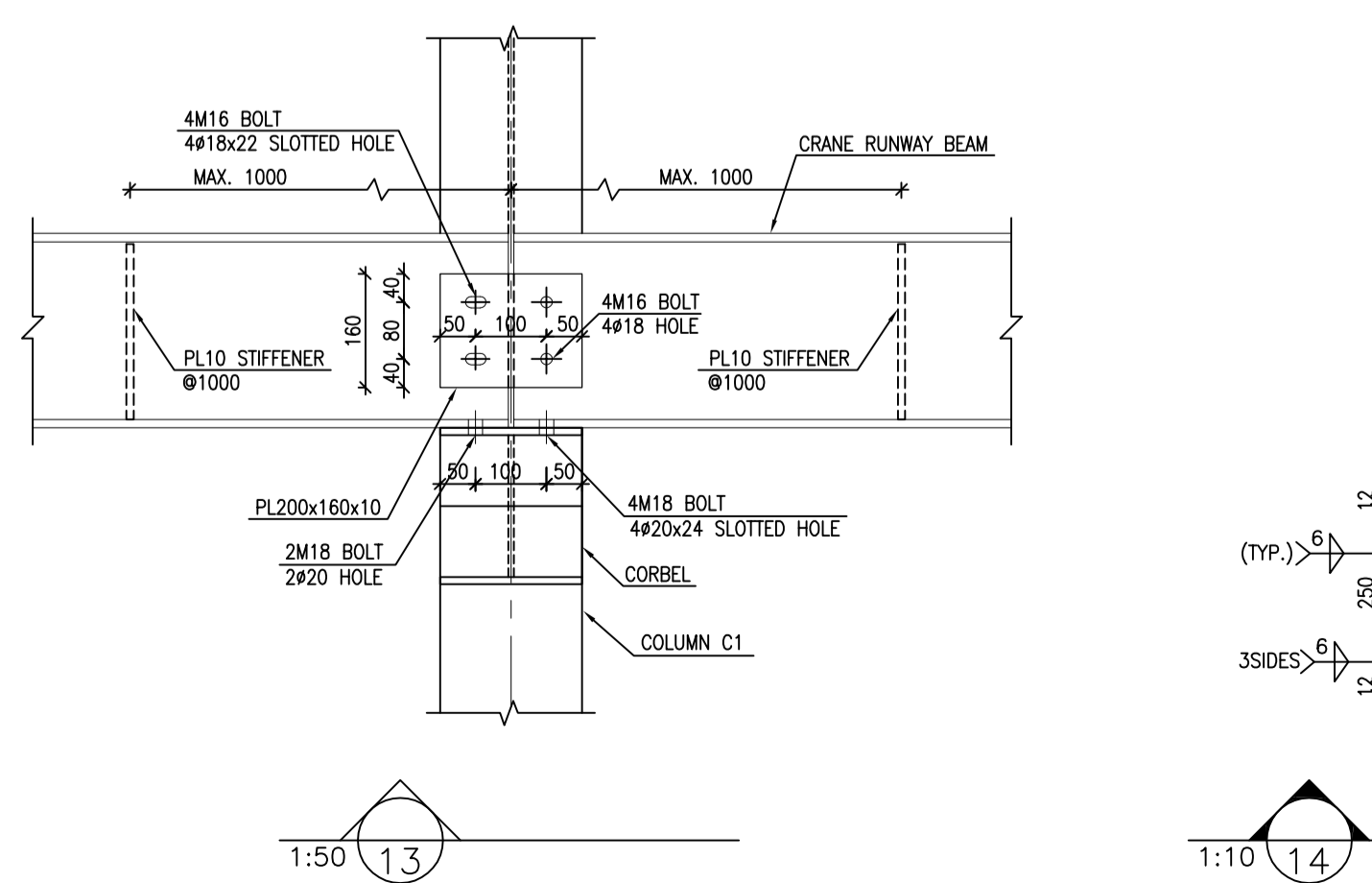
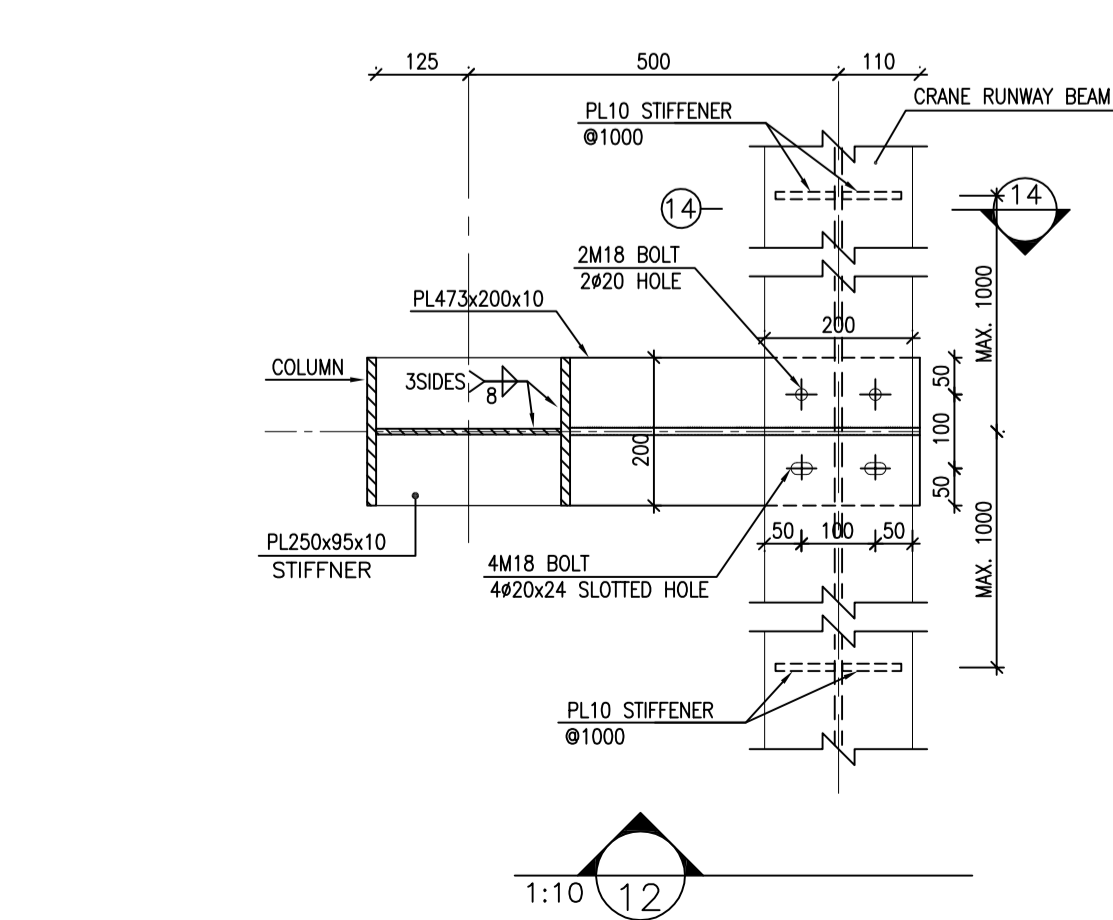
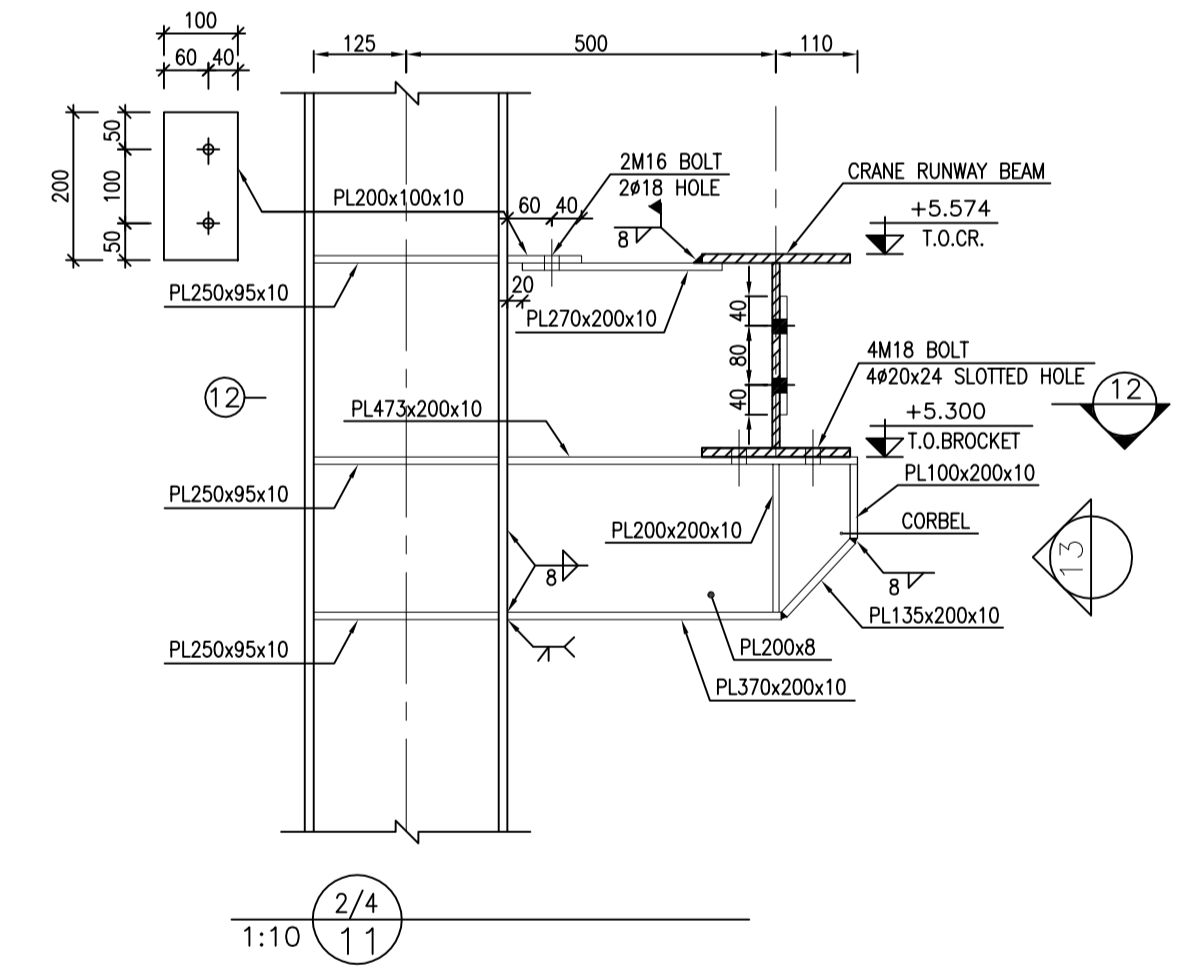
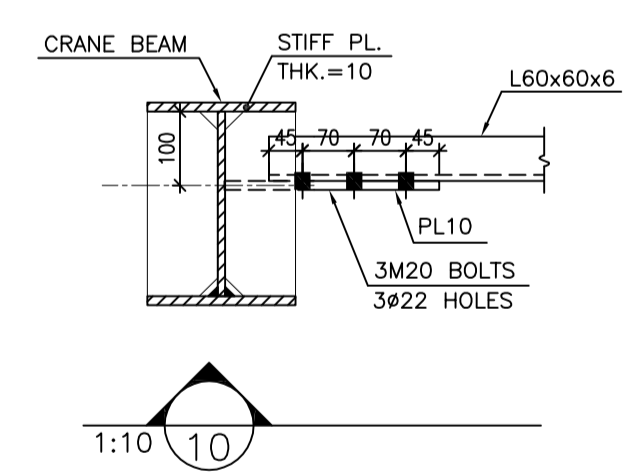
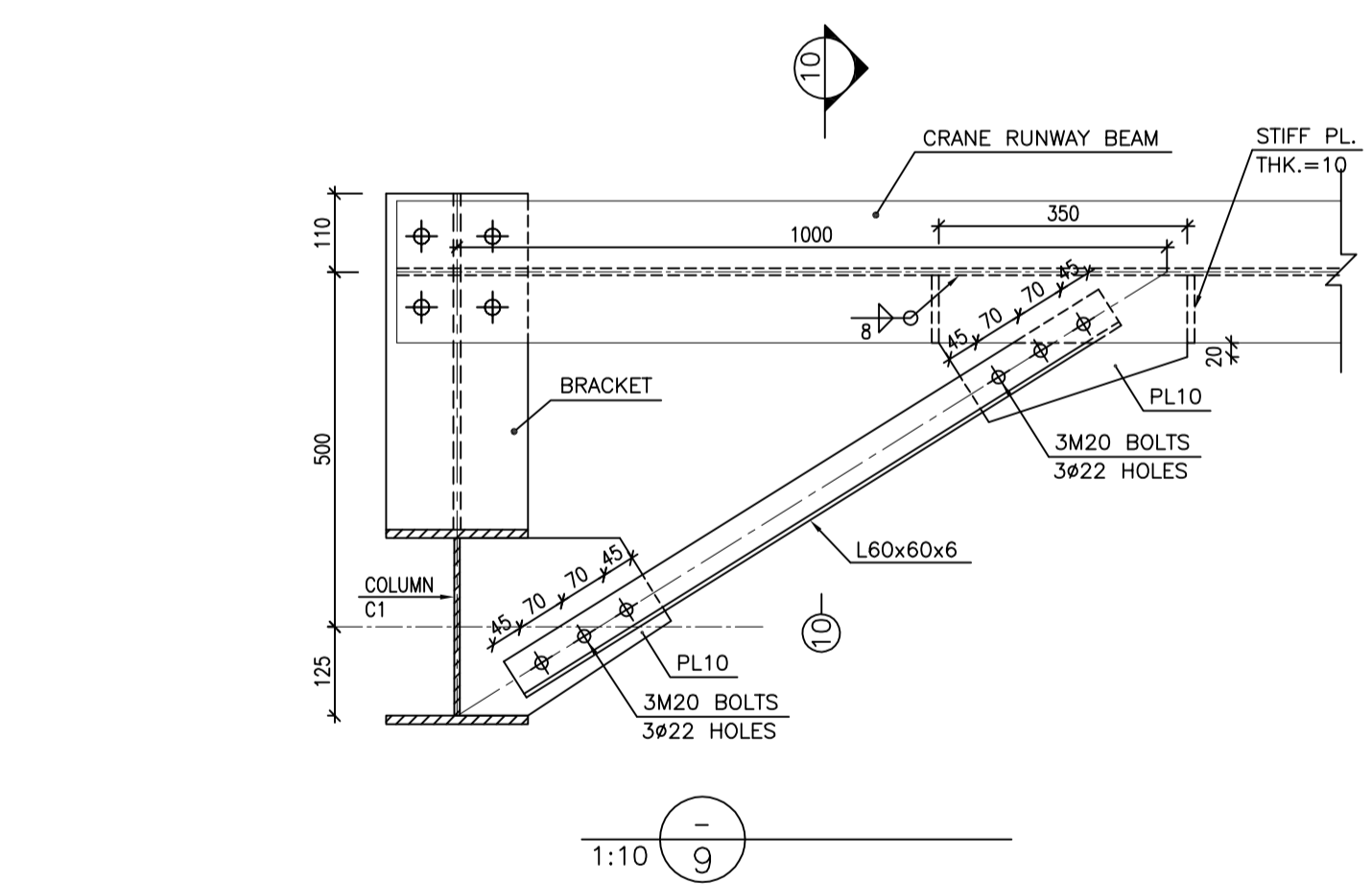
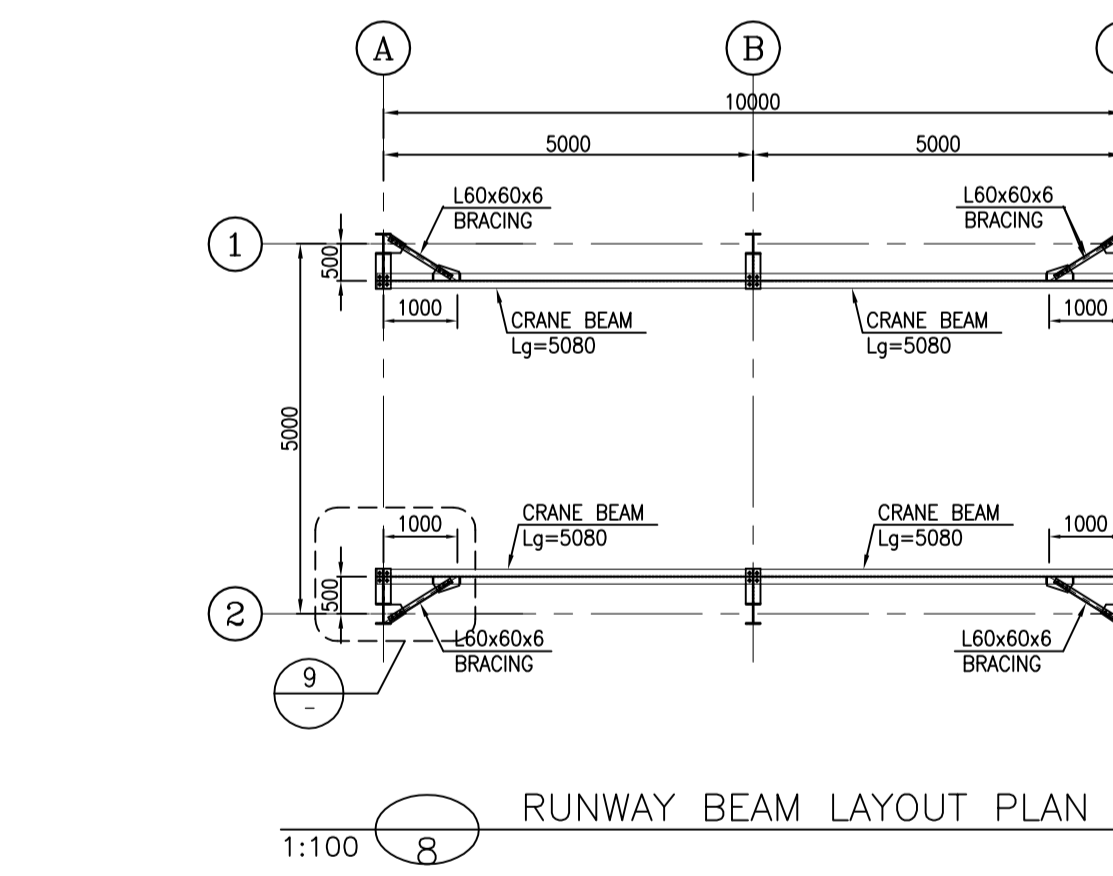
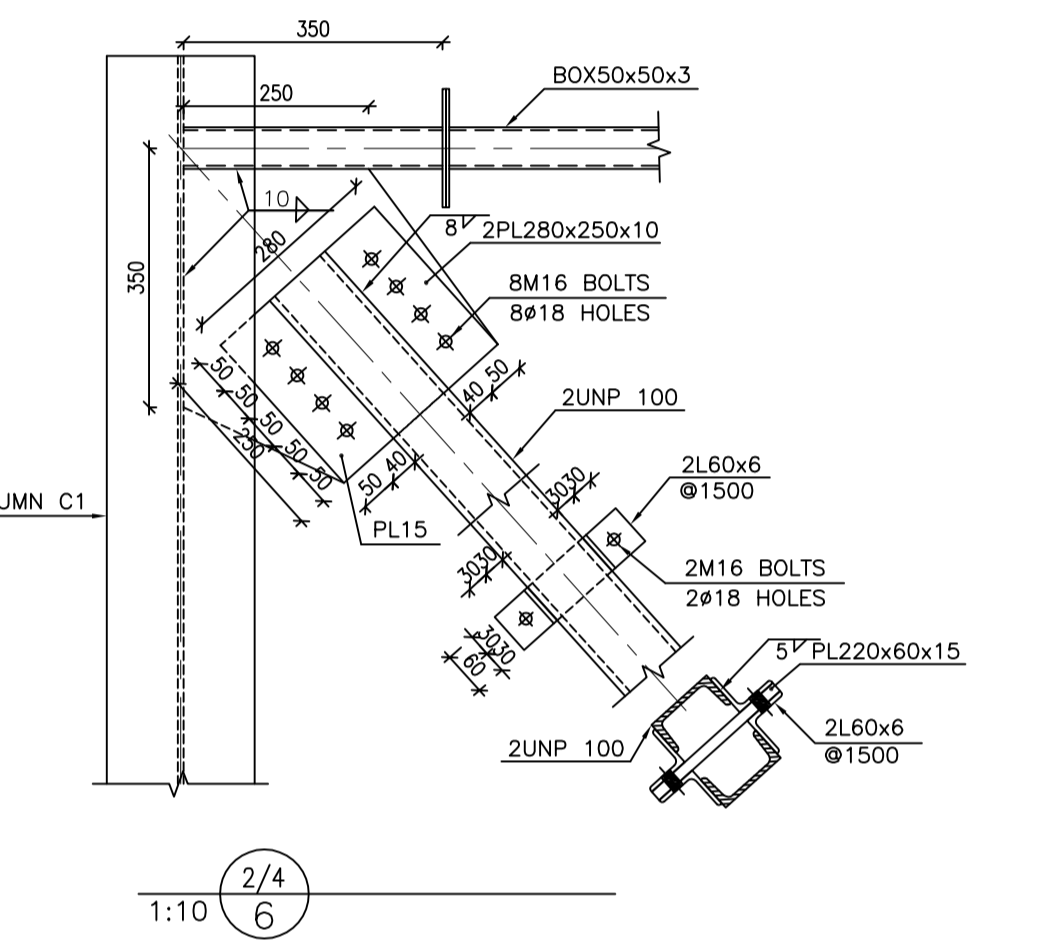
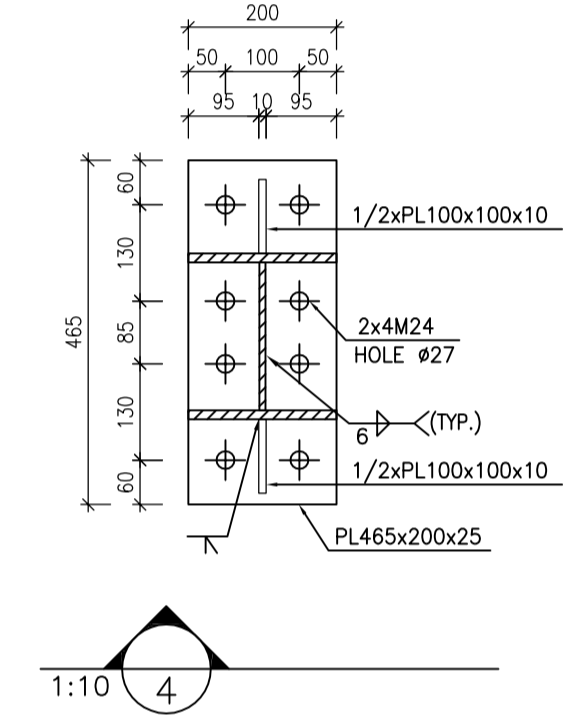
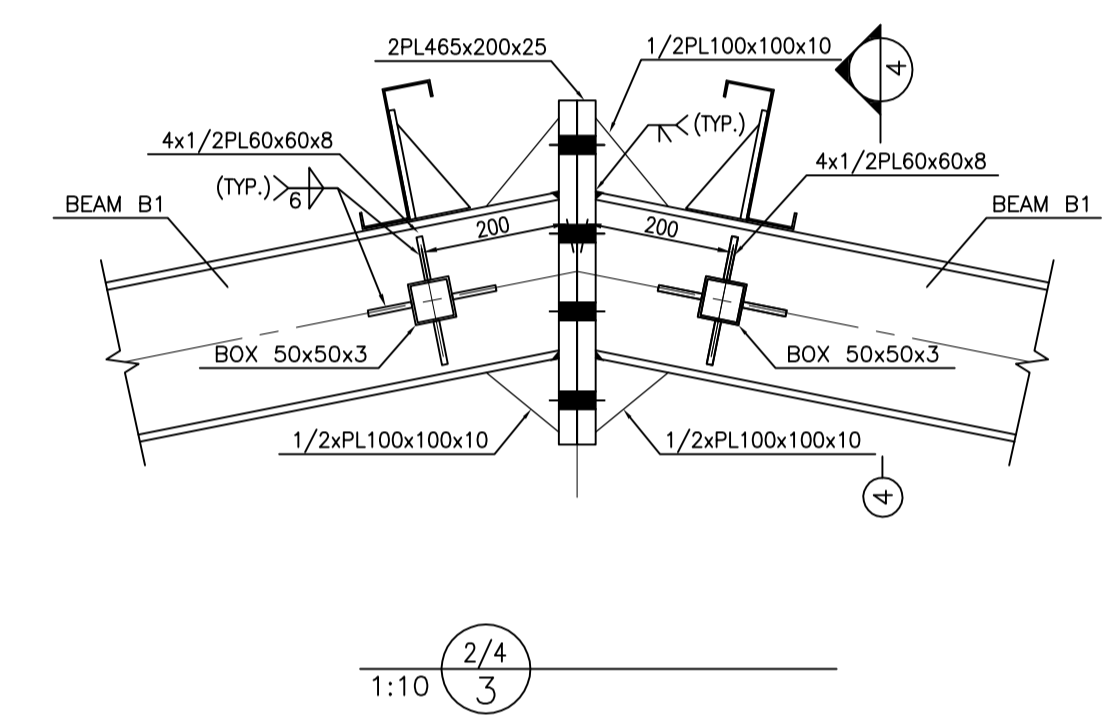
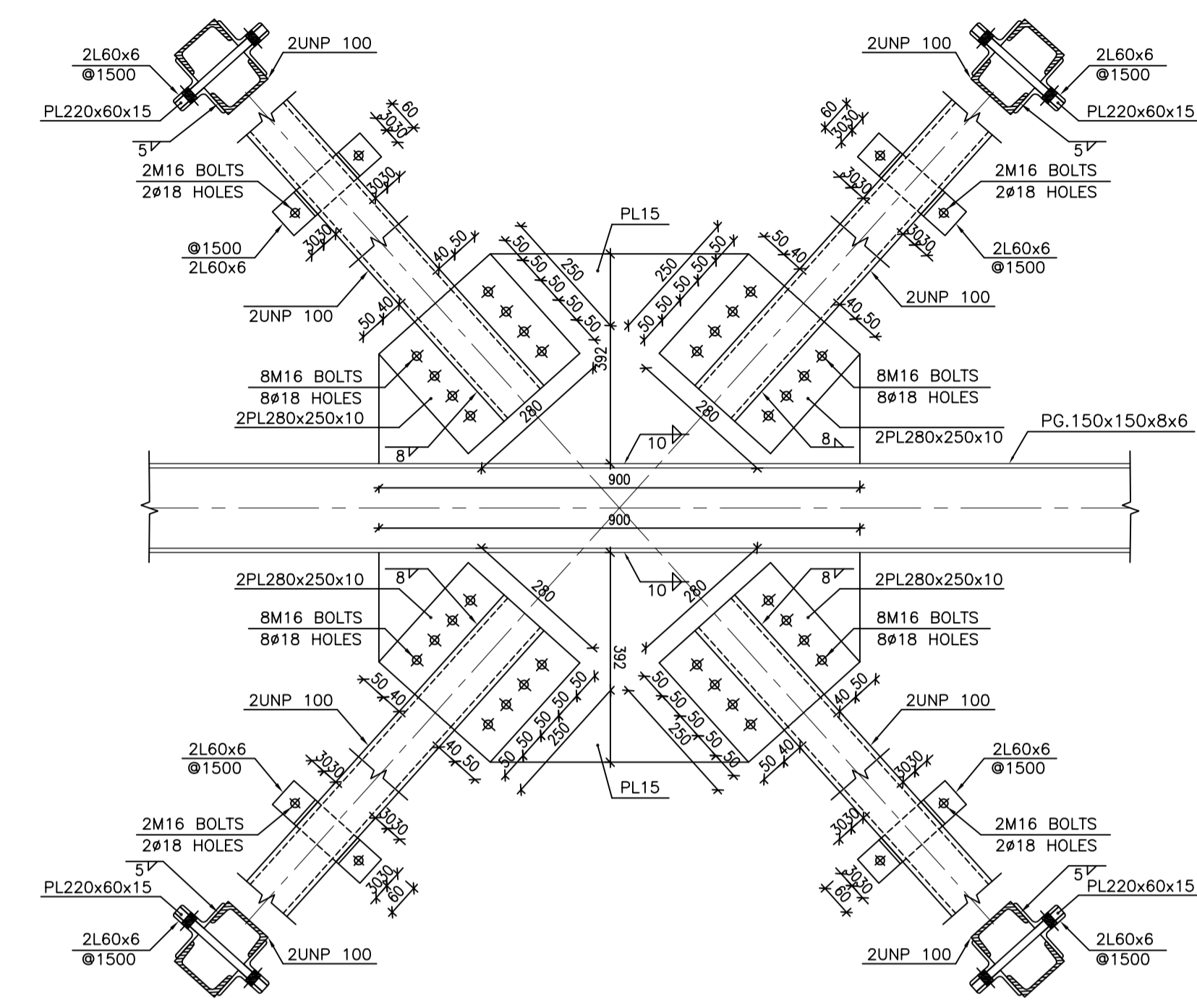
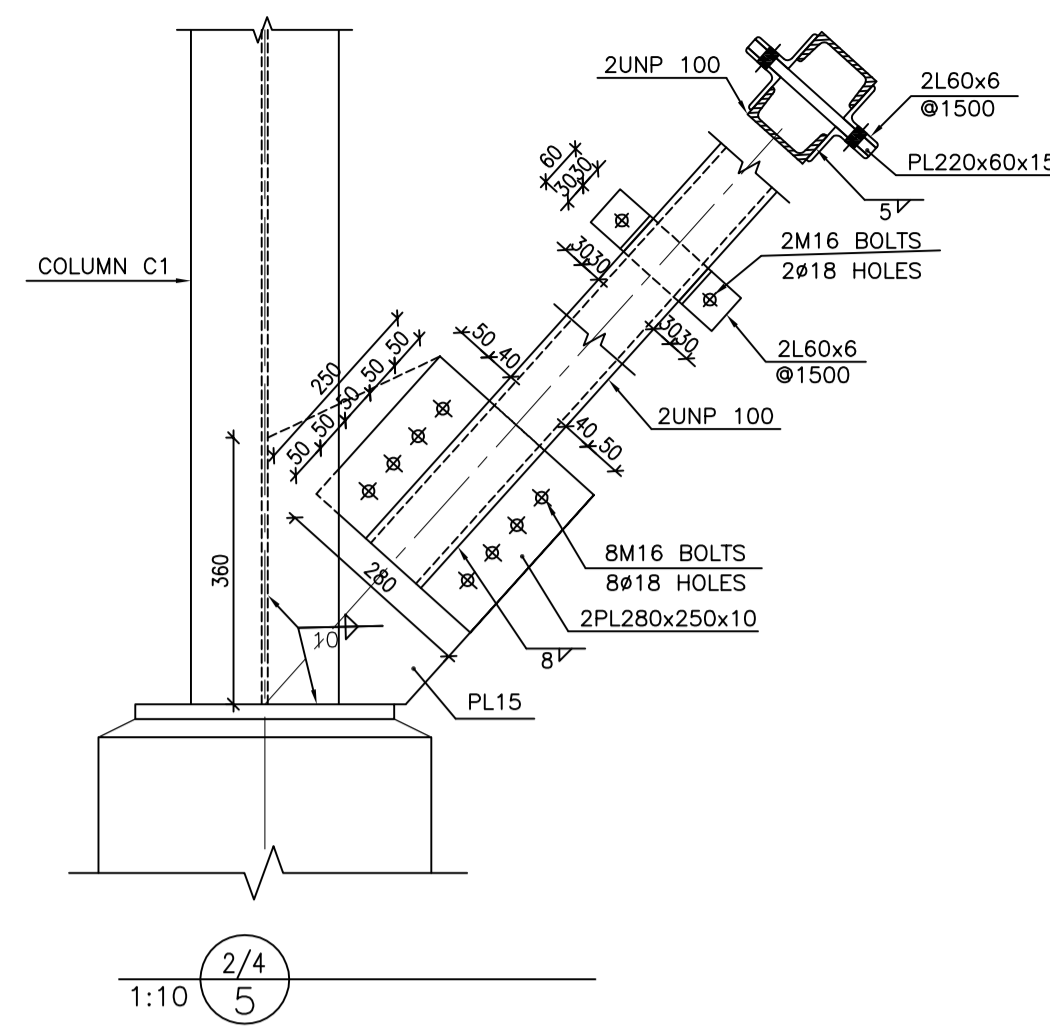
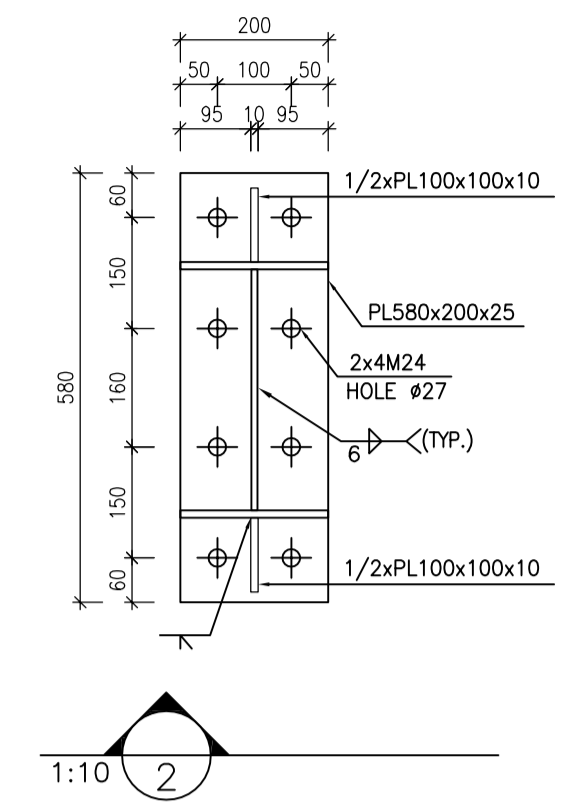
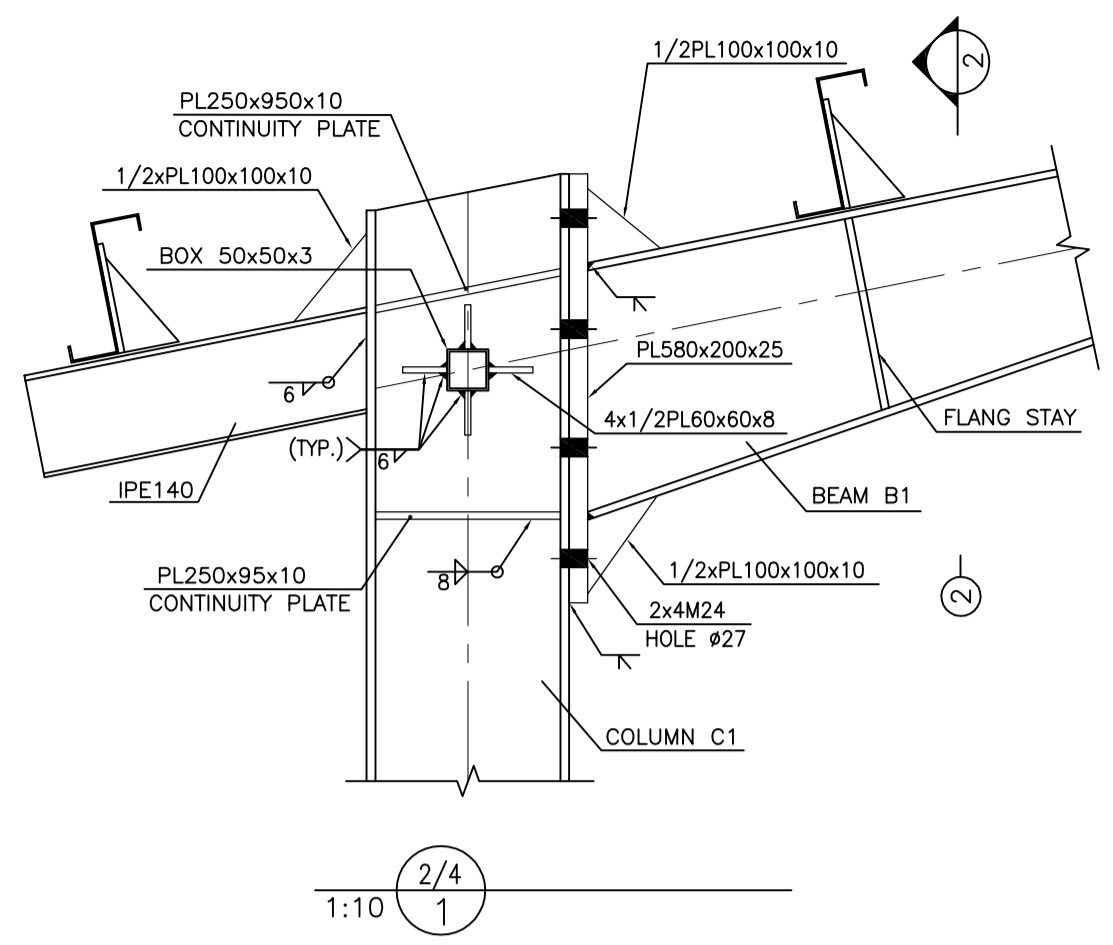
EPD/EPC CONTRACTOR (GC): **PETROIRAN DEVELOPMENT COMPANY** (PEDCO)

DRAWING TITLE: **STRUCTURAL DRAWING FOR CHEMICAL INJECTION AND STORAGE SHELTER**

NO CONSTRUCTION PERMITTED UNLESS DRAWING APPROVED

SCALE	SIZE	DRAWING NO.	SHEET NO.	REV.	BUDGET REF.	LOCATION	SIZE	CLASS	SERIAL NO.	SHEET	REVISION
AS SHOWN	A1	BK-GCS-PEDCO-120-ST-DW-0058	3 OF 4	D02	053-073-9184	F	4	M	709195	3	D02

TOTALLY REVISED



DO2
TOTALLY REVISED

- NOTES**
- 1) ALL ELEVATIONS AND COORDINATES ARE IN "m" AND DIMENSIONS ARE IN "mm" UNLESS OTHERWISE NOTED.
 - 2) ALL DIMENSIONS AND ELEVATIONS SHALL BE CHECKED BY THE CONTRACTOR PRIOR TO CONSTRUCTION.
 - 3) STRUCTURAL STEEL SHAPE & PLATES SHALL CONFORM TO ISIRI 14262-2(S235JR) OR S235JR WITH MINIMUM YIELD STRESS OF $F_y=2400 \text{ kg/cm}^2$
 - 4) ALL BOLTS ARE HIGH STRENGTH BOLTS GRADE 8.8 WITH MINIMUM TENSILE STRENGTH OF $F_u=800 \text{ MPa}$.
 - 5) ALL WELDING SHALL BE IN ACCORDANCE WITH THE LATEST EDITION OF STRUCTURAL WELDING CODE, AWS D1.1/D1.1M.
 - 6) TYPE OF WELDING ELECTRODE SHALL BE E70 AND IN ACCORDANCE WITH SPECIFICATION FOR STRUCTURAL STEEL FABRICATION AND ERECTION.
BK-GENERAL-PEDCO-000-ST-SP-0003
BK-GENERAL-PEDCO-000-ST-SP-0005

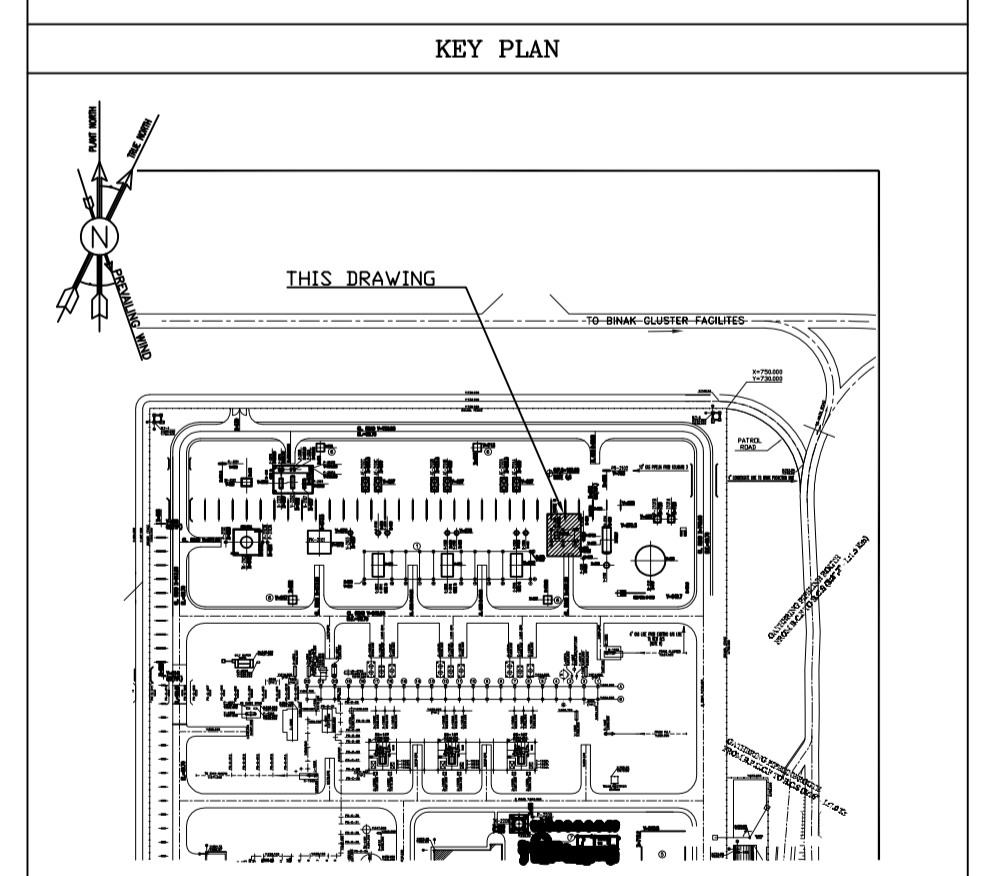
±0.00 = +11.20(F.G.L)MSL

LEGEND

F.G.L. : FINISH GROUND LEVEL	REINFORCED CONCRETE
B.O.B.PL. : BOTTOM OF BASE PLATE	LEAN CONCRETE
C.O.B. : CENTER OF STRUT	GROUND
T.O.CR. : TOP OF CRANE	
T.O.S. : TOP OF STEEL	
N.T.S. : NOT TO SCALED	
C.O.ST. : CENTER OF STRUT	

REFERENCE DRAWING

REFERENCE DRAWING	DRG. No.
CALCULATION NOTE FOR CHEMICAL INJECTION AND STORAGE SHELTER	BK-GCS-PEDCO-120-ST-CN-0026
FOUNDATION DRAWING FOR CHEMICAL INJECTION AND STORAGE SHELTER	BK-GCS-PEDCO-120-AR-DW-0057
ARCHITECTURAL DRAWING FOR CHEMICAL INJ. PACKAGES /CHEMICAL STORAGE SHELTER	BK-GCS-PEDCO-120-AR-DW-0004
STANDARD DRAWING FOR ANCHOR BOLTS	BK-GNAR-PEDCO-000-ST-DW-0002
GENERAL NOTES-STEEL STRUCTURES	BK-GNAR-PEDCO-000-ST-DW-0011
GENERAL NOTES-REINFORCED CONCRETE STRUCTURES	BK-GNAR-PEDCO-000-ST-DW-0012
SPECIFICATION FOR ERECTION OF STEEL STRUCTURES	BK-GNAR-PEDCO-000-ST-SP-0005
SPECIFICATION FOR FABRICATION OF STEEL STRUCTURES	BK-GNAR-PEDCO-000-ST-SP-0003
SPECIFICATION FOR STEEL STRUCTURAL WORK	BK-GNAR-PEDCO-000-ST-SP-0008
UNIT PLOT PLAN DRAWING	BK-GCS-PEDCO-120-PL-PY-0001
GEOTECHNICAL INVESTIGATION REPORT FOR COMPRESSOR STATION	BK-GCS-PEDCO-120-GT-RT-0001
SPECIFICATION FOR GROUTING	BK-GNAR-PEDCO-000-ST-SP-0004
SPECIFICATION FOR PAINTING	BK-GNAR-PEDCO-000-PI-SP-0006



REV.	DATE	P.O.I.S	PREP.	CHK.	APP.	AUT.	DESCRIPTION	BY	DATE	BY	DATE
D02	SEP.2023	IFA	R.BERLOUIE	M.FAKHARIAN	S.FARAMARZPOUR	***					
D01	JUN.2023	IPC	R.BERLOUIE	M.FAKHARIAN	A.M.MOHSSENI	***					
D00	AUG.2022	IPC	R.BERLOUIE	M.FAKHARIAN	M.MEHRSHAD	***					
REV.	DATE	P.O.I.S	PREP.	CHK.	APP.	AUT.					

PROJECT NAME: **BINAK OILFIELD DEVELOPMENT/SURFACE FACILITIES GAS COMPRESSOR STATION**

PROJECT NO.: 971020

EPC CONTRACTOR: **HIRGAN ENERGY** (DESIGN & INSPECTION COMPANIES)

EPD/EPC CONTRACTOR (GC): **PETROIRAN DEVELOPMENT COMPANY** (PEDCO)

DRAWING TITLE: **STRUCTURAL DRAWING FOR CHEMICAL INJECTION AND STORAGE SHELTER**

SCALE	SIZE	DRAWING NO.	SHEET NO.	REV.	BUDGET REF.	LOCATION	SIZE	CLASS	SERIAL NO.	SHEET	REVISION
AS SHOWN	A1	BK-GCS-PEDCO-120-ST-DW-0058	4 OF 4	D02	053-073-9184	F	4	M	709195	4	D02

اسم و کلیه نسخ این نقشه و حق اقتباس متعلق به شرکت ملی مناطق نفت خیز جنوب میباشد.
THE ORIGINAL AND ALL COPIES OF THIS DRAWING TOGETHER WITH THE COPYRIGHT THEREIN ARE THE SOLE PROPERTY OF N.I.S.O.C./ FIELDS

BINAK OILFIELD DEVELOPMENT SURFACE FACILITIES GAS COMPRESSOR STATION

DATE	SCALE	DRAWING BY	CHECKED BY	PROJECT ENG.

NO CONSTRUCTION PERMITTED UNLESS DRAWING APPROVED

APPROVED FOR CONSTRUCTION	BY:	DATE: