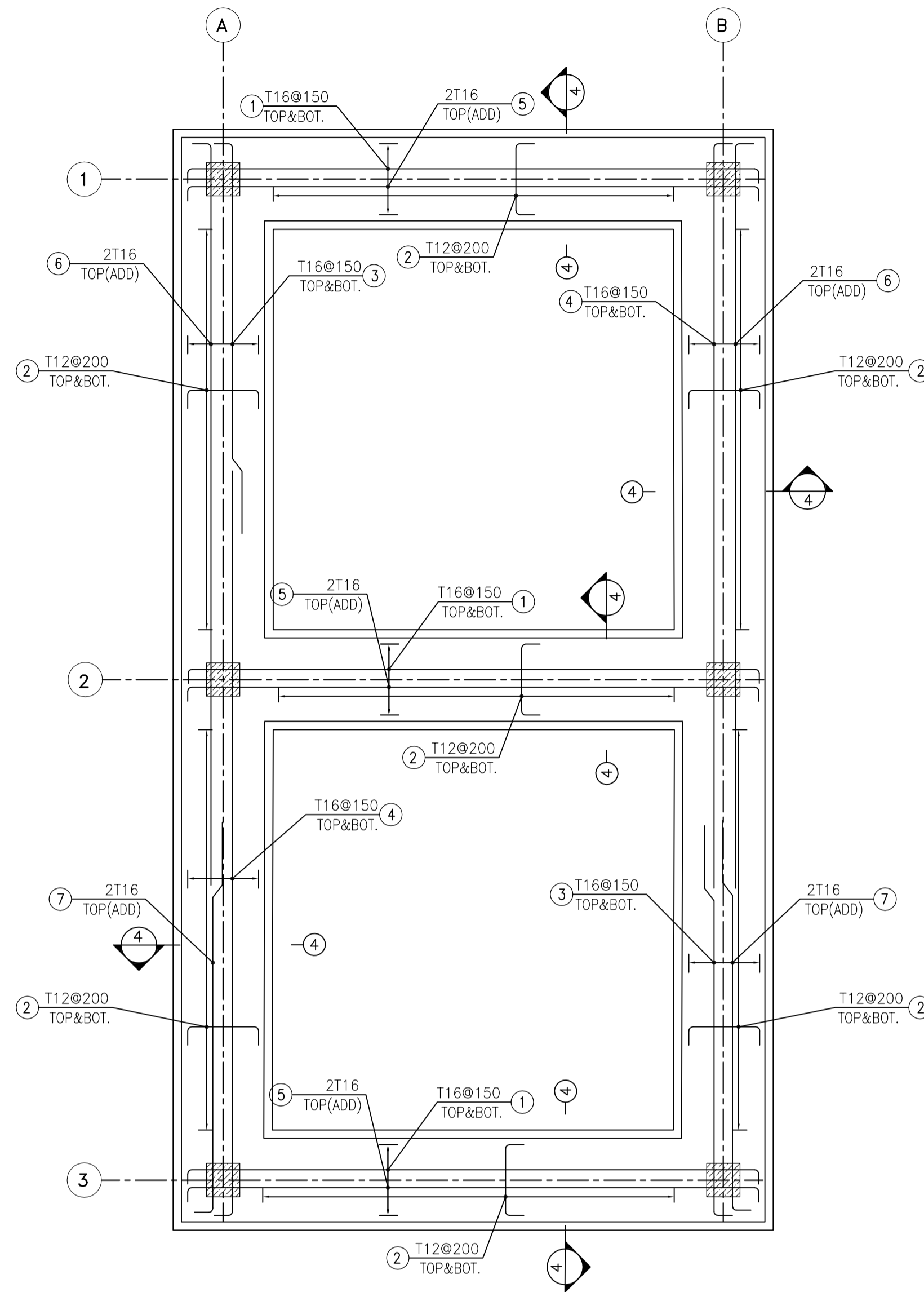
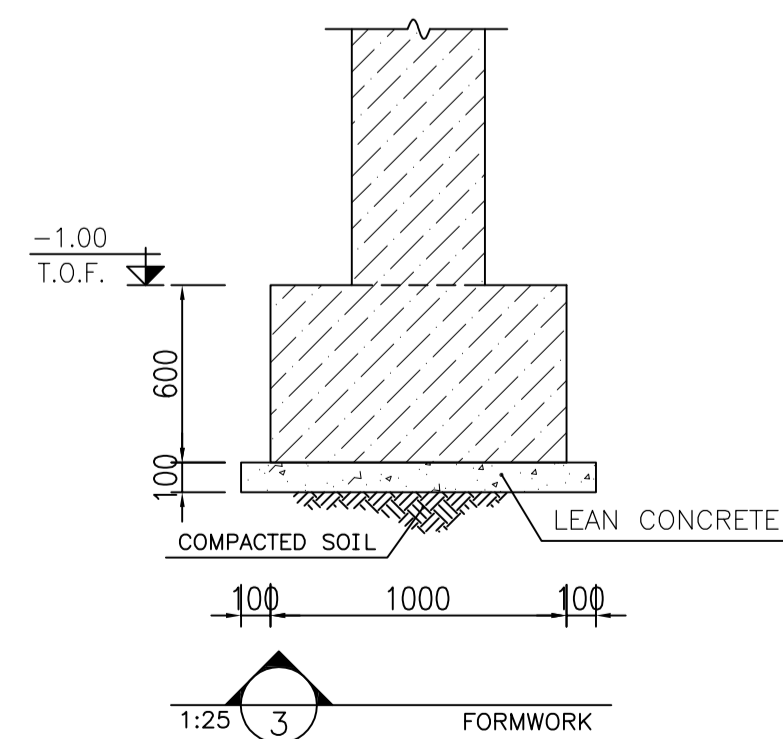


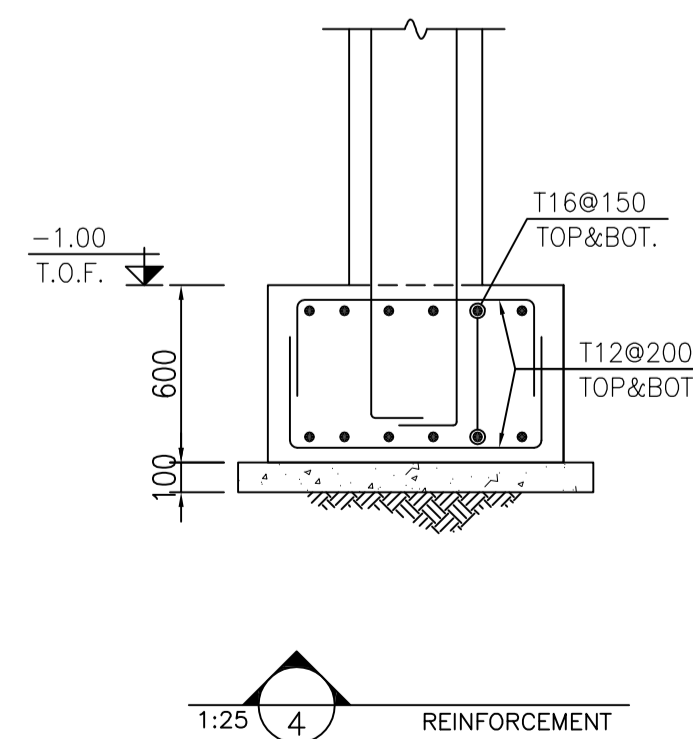
1:50 FOUNDATION FORMWORK PLAN



1:50 FOUNDATION REINFORCEMENT PLAN



1:25 FORMWORK



1:25 REINFORCEMENT

NOTES

- 1) ALL ELEVATIONS AND COORDINATES ARE IN "m" AND DIMENSIONS ARE IN "mm" UNLESS OTHERWISE NOTED.
- 2) ALL DIMENSIONS AND ELEVATIONS SHALL BE CHECKED BY THE CONTRACTOR PRIOR TO CONSTRUCTION.
- 3) ACCORDING TO THE SPECIFICATION OF CONCRETE WORKS: "BK-GNRL-PEDCO-000-ST-SP-0001" 28 DAYS CHARACTERISTIC COMPRESSIVE STRENGTH OF MAIN CONCRETE IS 30 MPa
- 4) ACCORDING TO THE SPECIFICATION OF CONCRETE WORKS: "BK-GNRL-PEDCO-000-ST-SP-0001" 28 DAYS CHARACTERISTIC COMPRESSIVE STRENGTH OF LEAN CONCRETE IS 15 MPa
- 5) REINFORCING BARS SHALL BE S400 ACCORDING TO: ISIRI3132 AND INBC9 WITH MINIMUM TENSILE YIELD STRENGTH 400 N/mm²
- 6) CONCRETE COVER OVER BARS SHALL BE 75mm FOR FOUNDATION AND 50mm FOR BEAMS & COLUMNS.
- 7) UNDERGROUND CONCRETE SHALL BE PROTECTED AND COATED ACCORDING TO RELEVANT SPECIFICATION.
- 8) CEMENT TYPE 2 SHALL BE USED ACCORDING TO GEOTECHNICAL REPORT SUGGESTION.
- 9) FILL MATERIAL SHALL BE COMPACTED TO NOT LESS THAN 95% OF THE MAXIMUM DENSITY AS DETERMINED BY ASTM D-1557 (MODIFIED PROCTOR) METHOD.

±0.00 = +10.90(F.G.L)MSL

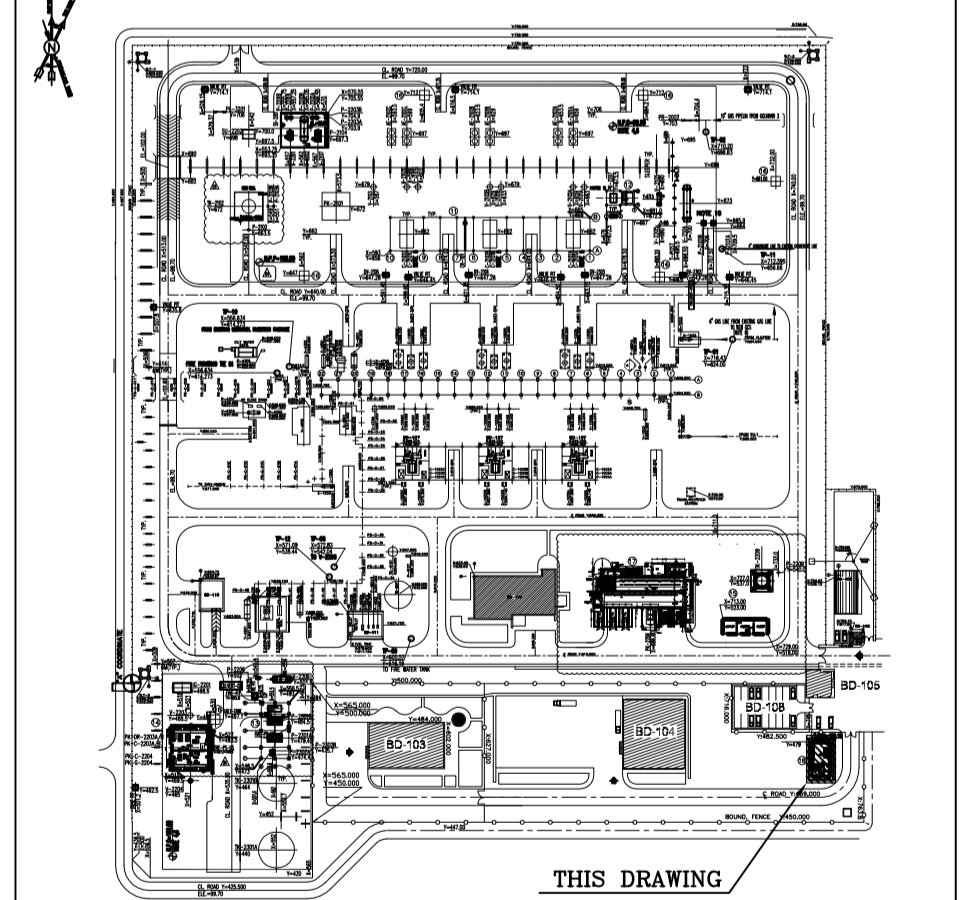
LEGEND

F.G.L. : FINISH GROUND LEVEL
T.O.F. : TOP OF FOUNDATION

- REINFORCED CONCRETE
- LEAN CONCRETE
- GROUND

REFERENCE DRAWING	DRG. No.
ARCHITECTURAL DRAWING FOR CCTV CONTROL ROOM BINAK GCS	BK-GCS-PEDCO-120-AR-DW-0008
STRUCTURAL DRAWING FOR CCTV CONTROL ROOM BINAK GCS	BK-GCS-PEDCO-120-AR-DW-0076
GENERAL NOTES-REINFORCED CONCRETE STRUCTURES	BK-GNRL-PEDCO-000-ST-DW-0012
STANDARD DRAWING FOR INSERT PLATES IN CONCRETE	BK-GNRL-PEDCO-000-ST-DW-0007
UNIT PLOT PLAN DRAWING	BK-GCS-PEDCO-120-PI-PY-0001

KEY PLAN



REV.	DATE	P.O.I.S	PREP.	CHK.	APP.	AUT.	DESCRIPTION	BY	DATE	CHECKED	REV. APPR.
DOO	SEP.2023	IFC	R.BERLOUE	M.PAKHARIAN	S.FARAMARZPOUR	***					
PROJECT NAME: BINAK OILFIELD DEVELOPMENT/SURFACE FACILITIES GAS COMPRESSOR STATION							<p>اسم و کلیه نسخ این نقشه و حق اختیارات متعلق به شرکت ملی مناطق نفت خیز جنوب میباشد. THE ORIGINAL AND ALL COPIES OF THIS DRAWING TOGETHER WITH THE COPYRIGHT THEREIN ARE THE SOLE PROPERTY OF N.I.S.O.C./ FIELDS</p>				
PROJECT NO.: 971020							<p>BINAK OILFIELD DEVELOPMENT SURFACE FACILITIES GAS COMPRESSOR STATION</p>				
EPC CONTRACTOR: HIRGAN ENERGY				EPD/EPC CONTRACTOR (GC): PEDCO			PETROIRAN DEVELOPMENT COMPANY				
DRAWING TITLE: FOUNDATION DRAWING FOR CCTV CONTROL ROOM - BINAK GCS							NO CONSTRUCTION PERMITTED UNLESS DRAWING APPROVED				
APPROVED FOR CONSTRUCTION							BY:		DATE:		
SCALE	SIZE	DRAWING NO.		SHEET NO.	REV.	BUDGET REF.	LOCATION	SIZE	CLASS	SERIAL NO.	SHEET REVISION
AS SHOWN	A1	BK-GCS-PEDCO-120-ST-DW-0075		1 OF 1	DOO	053-073-9184	F	4	Q	709402	1 DOO