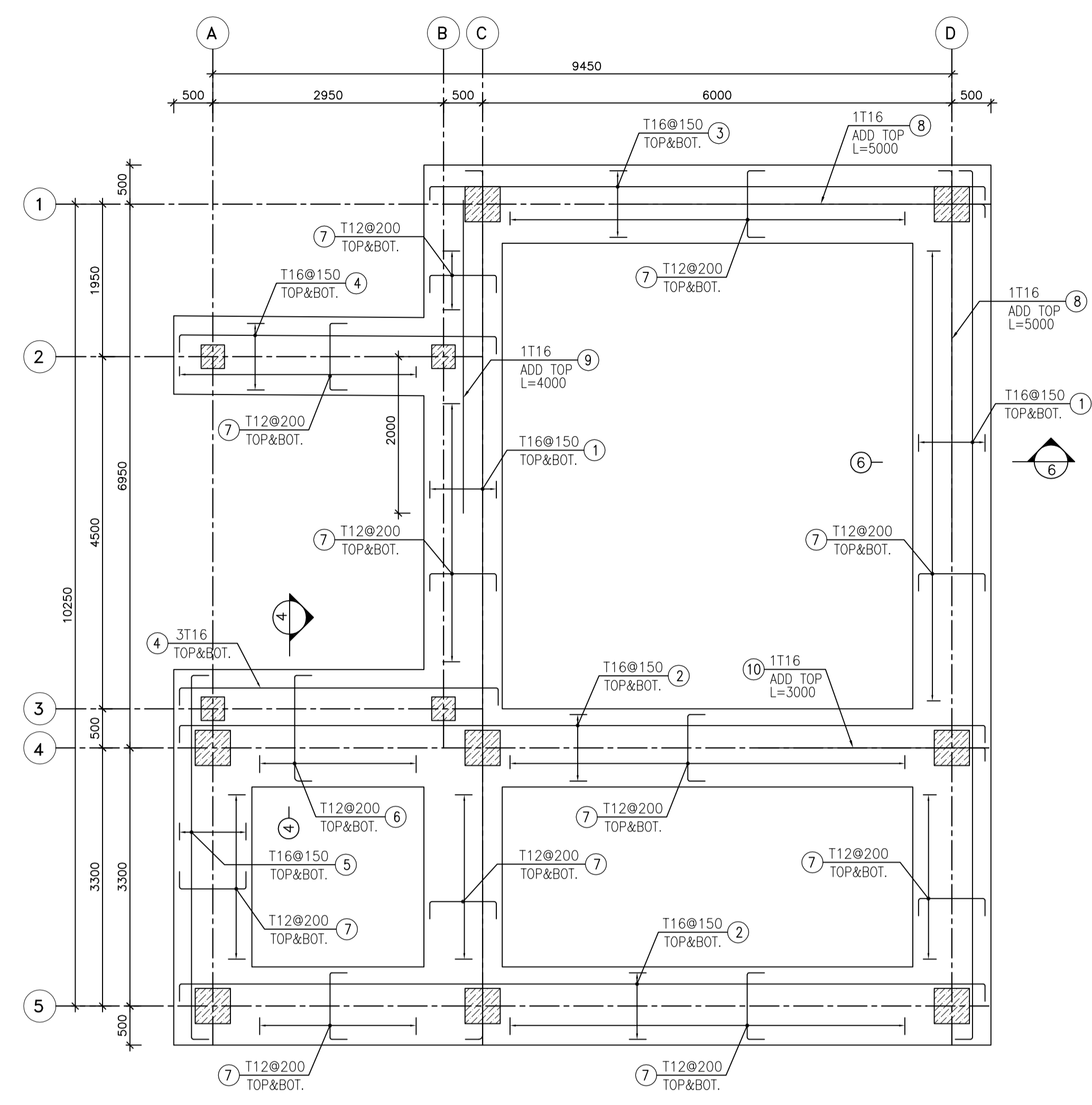
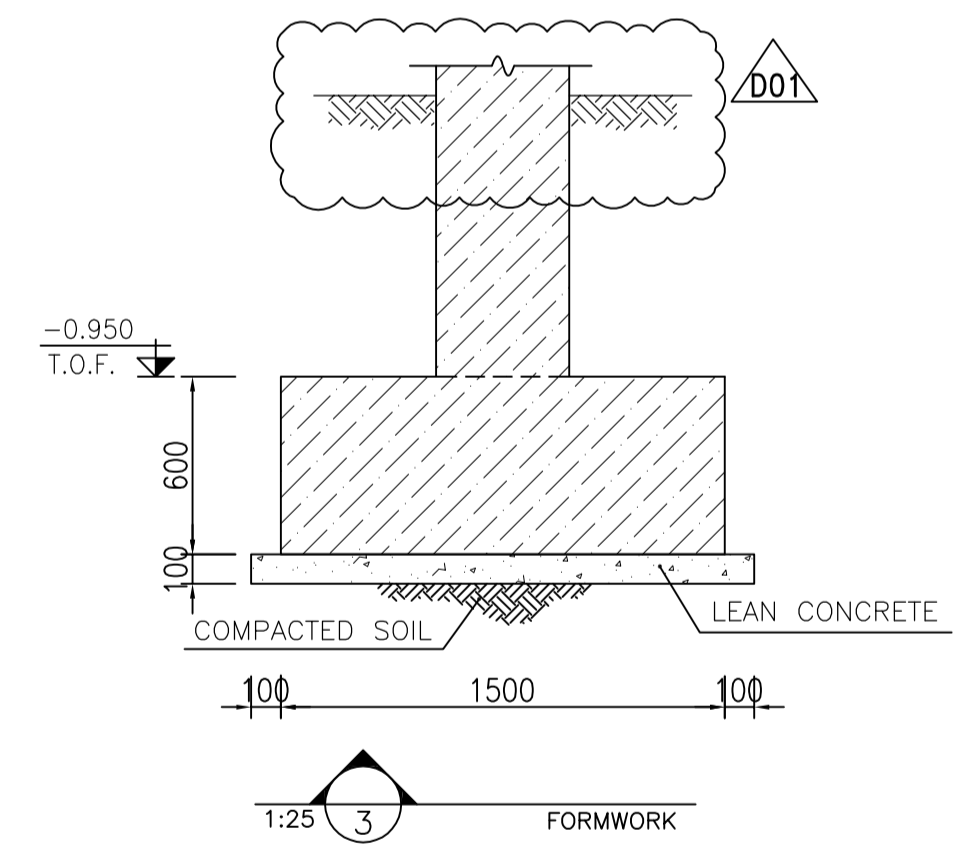


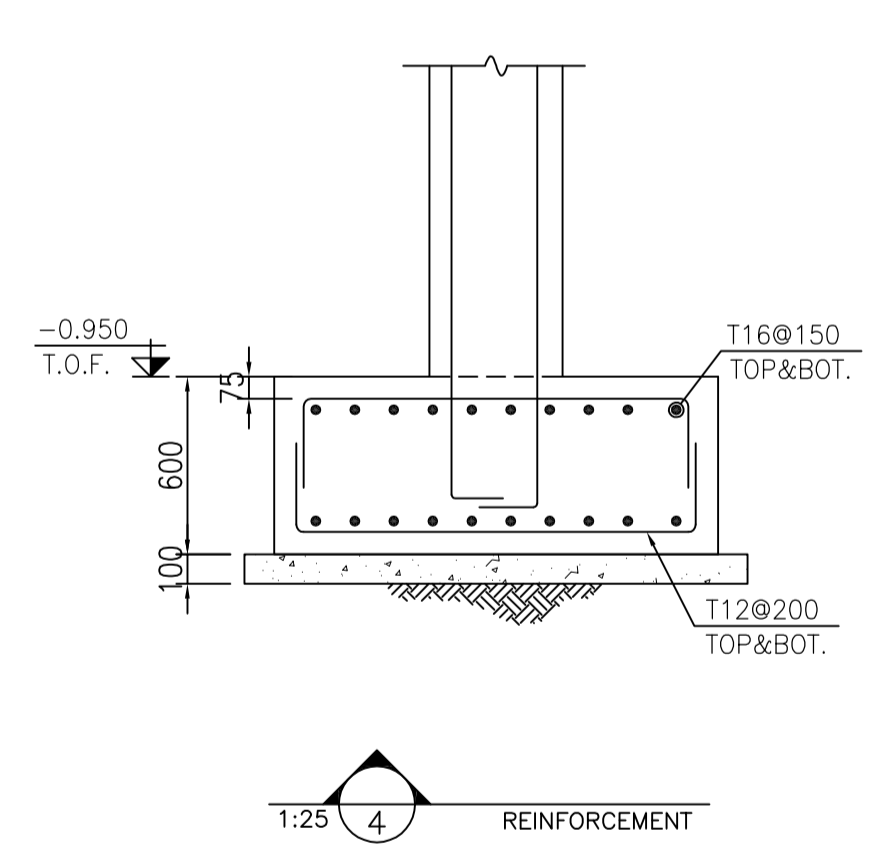
1:50 FOUNDATION FORMWORK PLAN



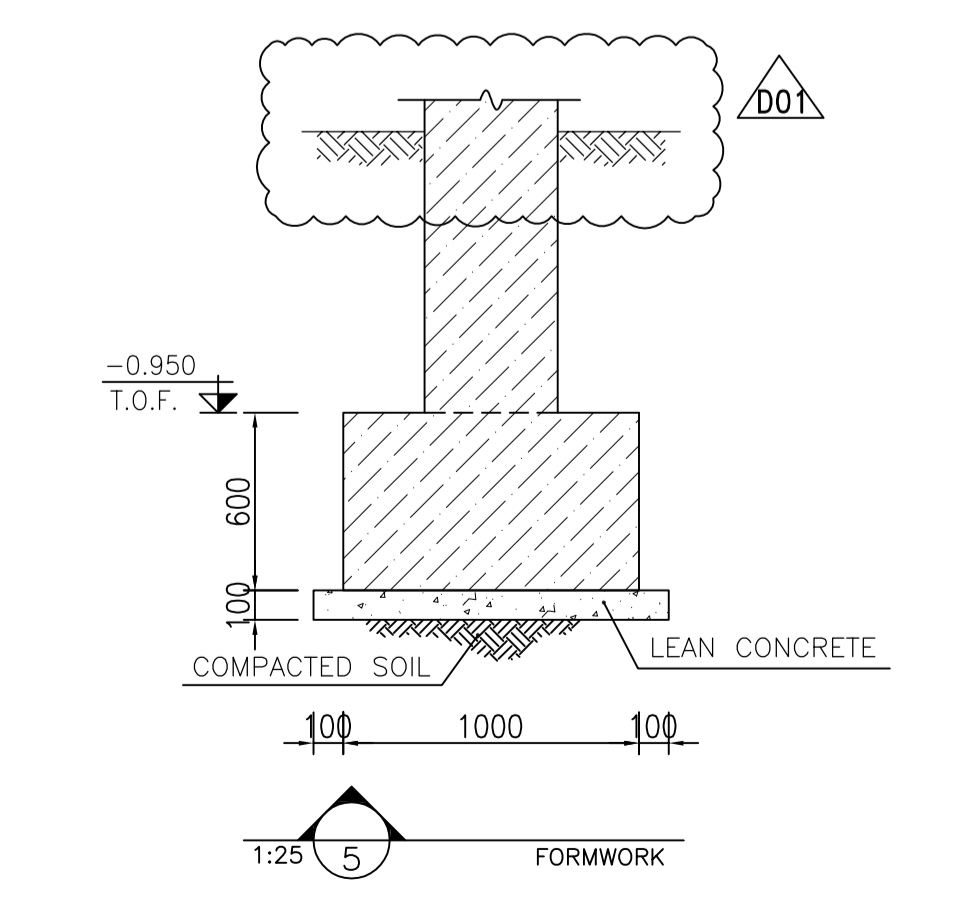
1:50 FOUNDATION REINFORCEMENT PLAN



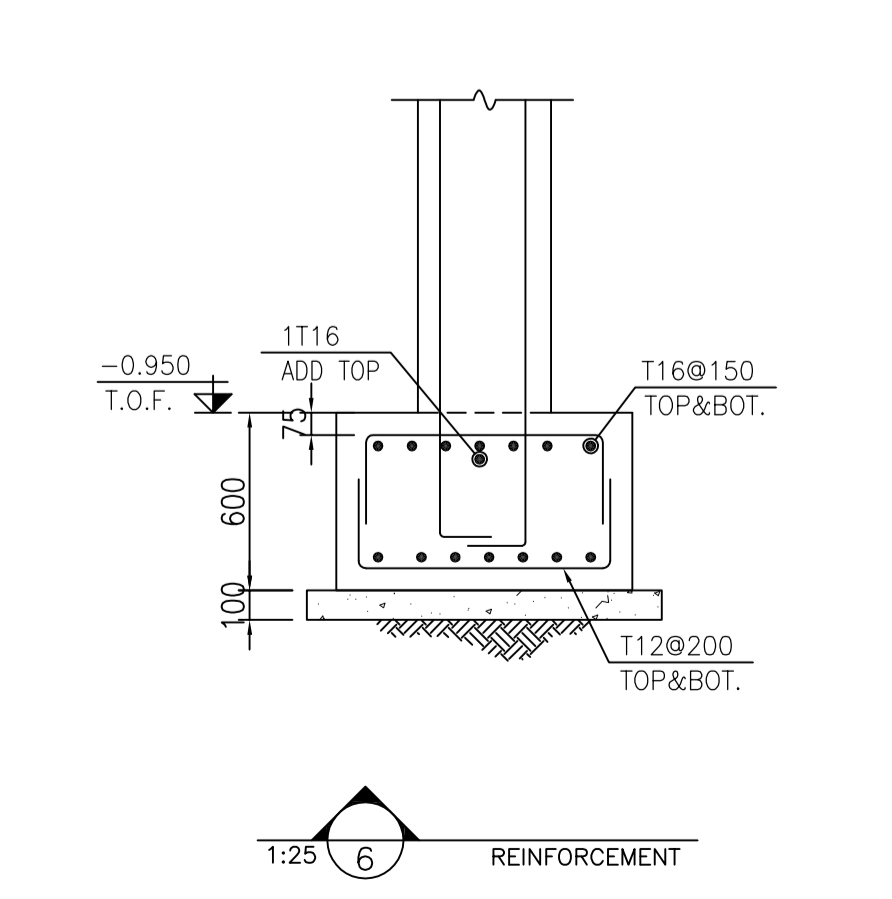
1:25 FORMWORK



1:25 REINFORCEMENT



1:25 FORMWORK



1:25 REINFORCEMENT

BAR BENDING SCHEDULE						
Pos	Spec.	Shape	L	No.	T12	T16
1	T16	250   11100   250	11.60	28		324.8
2	T16	250   10300   250	10.80	28		302.4
3	T16	250   7100   250	7.60	14		106.4
4	T16	250   4050   250	4.55	20		91.0
5	T16	250   4650   250	5.15	14		72.1
6	T12	300   1350   300	1.95	22	42.9	
7	T12	300   850   300	1.45	372	539.4	
8	T16	250   4750   250	5.00	2		10.0
9	T16	250   4000   250	4.00	1		4.0
10	T16	250   2750   250	3.00	1		3.0
TOTAL LENGTH (m)					582.30	913.70
UNIT WEIGHT (Kg/m)					0.888	1.578
WEIGHT (Kg)					517.09	1441.82
TOTAL WEIGHT (Kg)					1960 Kg.	

- NOTES**
- 1) ALL ELEVATIONS AND COORDINATES ARE IN "m" AND DIMENSIONS ARE IN "mm" UNLESS OTHERWISE NOTED.
  - 2) ALL DIMENSIONS AND ELEVATIONS SHALL BE CHECKED BY THE CONTRACTOR PRIOR TO CONSTRUCTION.
  - 3) ACCORDING TO THE SPECIFICATION OF CONCRETE WORKS: "BK-GNRL-PEDCO-000-ST-SP-0001" 28 DAYS CHARACTERISTIC COMPRESSIVE STRENGTH OF MAIN CONCRETE IS 30 MPa
  - 4) ACCORDING TO THE SPECIFICATION OF CONCRETE WORKS: "BK-GNRL-PEDCO-000-ST-SP-0001" 28 DAYS CHARACTERISTIC COMPRESSIVE STRENGTH OF LEAN CONCRETE IS 15 MPa
  - 5) REINFORCING BARS SHALL BE S400 ACCORDING TO: ISIRI3132 AND INBC9 WITH MINIMUM TENSILE YIELD STRENGTH 400 N/mm<sup>2</sup>
  - 6) CONCRETE COVER OVER BARS SHALL BE 75mm FOR FOUNDATION AND 50mm FOR BEAMS & COLUMNS.
  - 7) UNDERGROUND CONCRETE SHALL BE PROTECTED AND COATED ACCORDING TO RELEVANT SPECIFICATION.
  - 8) CEMENT TYPE 2 SHALL BE USED ACCORDING TO GEOTECHNICAL REPORT SUGGESTION.
  - 9) FILL MATERIAL SHALL BE COMPACTED TO NOT LESS THAN 95% OF THE MAXIMUM DENSITY AS DETERMINED BY ASTM D-1557 (MODIFIED PROCTOR) METHOD.

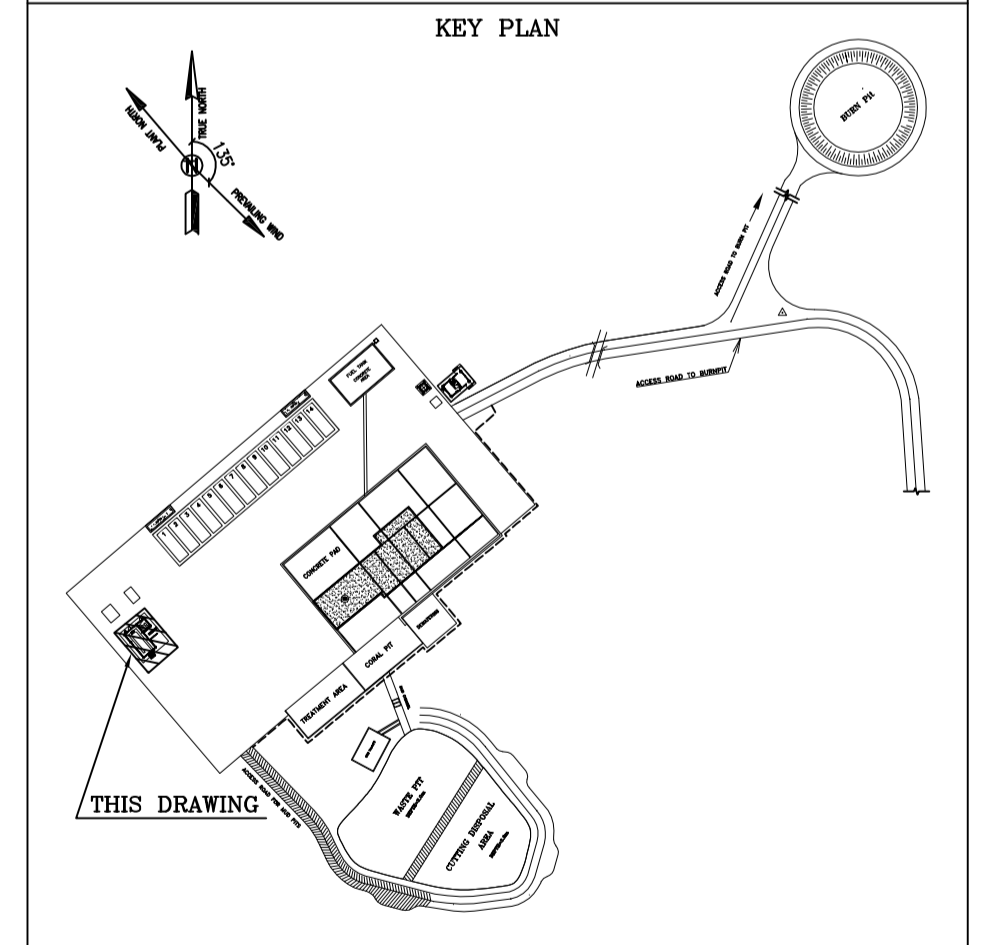
±0.00 = +26.00(F.G.L)MSL

**LEGEND**

F.G.L. : FINISH GROUND LEVEL  
T.O.F. : TOP OF FOUNDATION

	REINFORCED CONCRETE
	LEAN CONCRETE
	GROUND

REFERENCE DRAWING	DRG. No.
ARCHITECTURAL DRAWING FOR SWITCHGEAR BUILDING OF WELLPADS-W007S	BK-W007S-PEDCO-110-AR-DW-0003
STRUCTURAL DRAWING FOR SWITCHGEAR BUILDING FOR WELLPADS-W007S	BK-W007S-PEDCO-110-ST-DW-0011
GENERAL NOTES-REINFORCED CONCRETE STRUCTURES	BK-GNRL-PEDCO-000-ST-DW-0012
STANDARD DRAWING FOR INSERT PLATES IN CONCRETE	BK-GNRL-PEDCO-000-ST-DW-0007
PLOT PLAN DRAWING -W007S	BK-W007S-PEDCO-110-PI-PY-0002
GENERAL CIVIL LAYOUT - W007S	BK-W007S-PEDCO-110-CV-PY-0001



REV.	DATE	P.O.I.S	PREP.	CHK.	APP.	AUT.	DESCRIPTION	BY	DATE	CHECKED	REV. APPR.
DO1	OCT.2023	IPA	R.BERLOUJE	M.PAKHARIAN	S.FARMAZPOUR	***					
DO0	SEP.2023	IFC	R.BERLOUJE	M.PAKHARIAN	A.M.MOHSSENI	***					

PROJECT NAME: BINAK OILFIELD DEVELOPMENT/SURFACE FACILITIES GAS COMPRESSOR STATION

PROJECT NO.: 971020

EPC CONTRACTOR: HIRGAN ENERGY - DESIGN & INSPECTION COMPANIES

EPD/EPC CONTRACTOR (GC): PETROIRAN DEVELOPMENT COMPANY

DRAWING TITLE: FOUNDATION DRAWING FOR SWITCHGEAR BUILDING FOR WELLPADS - W007S

SCALE	SIZE	DRAWING NO.	SHEET NO.	REV.	BUDGET REF.	LOCATION	SIZE	CLASS	SERIAL NO.	SHEET	REVISION
AS SHOWN	A1	BK-W007S-PEDCO-110-ST-DW-0010	1 OF 1	DO1	053-073-9184	F	4	Q	708060	1	DO1

NO CONSTRUCTION PERMITTED UNLESS DRAWING APPROVED

APPROVED FOR CONSTRUCTION BY: DATE: