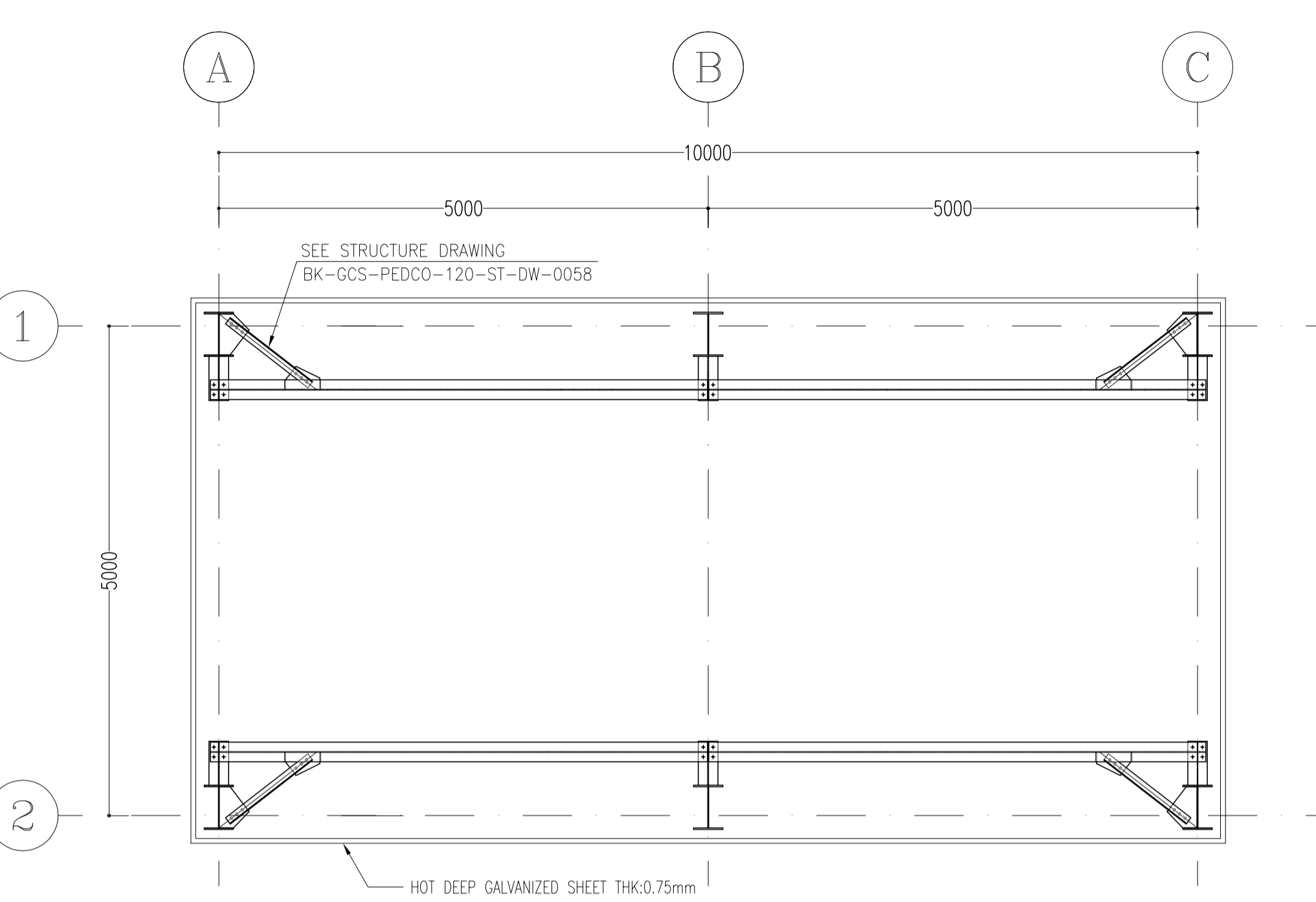
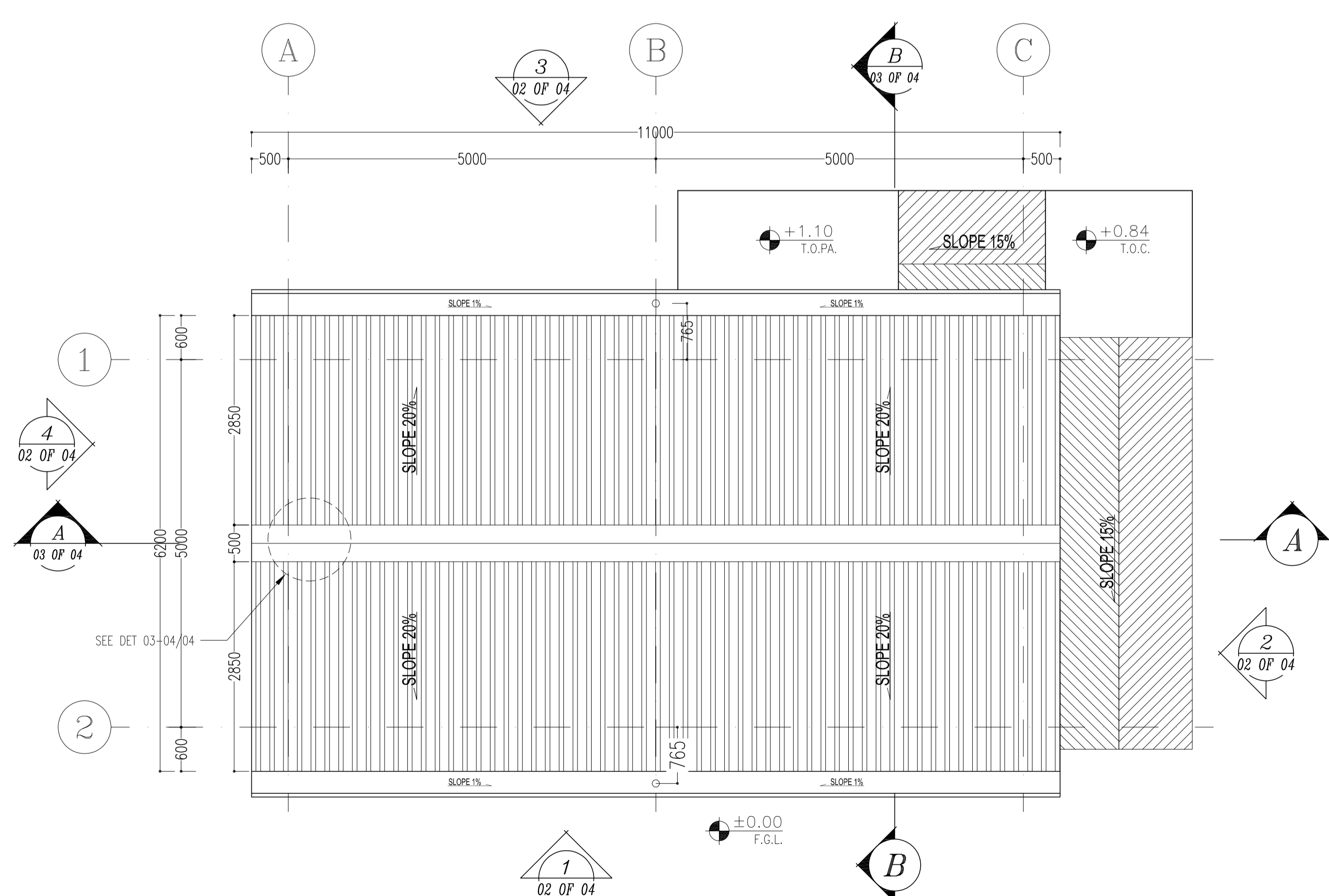


SC:1:50 **1 FLOOR PLAN**



SC:1:50 **3 RUNWAY BEAM LAYOUT PLAN**



SC:1:50 **2 ROOF PLAN**

D06	PK-2207 CORROSION INHIBITOR INJECTION PACKAGE
D02	CR-103 CHEMICAL INEC. PACK. & STORAGE SHELTER CRANE

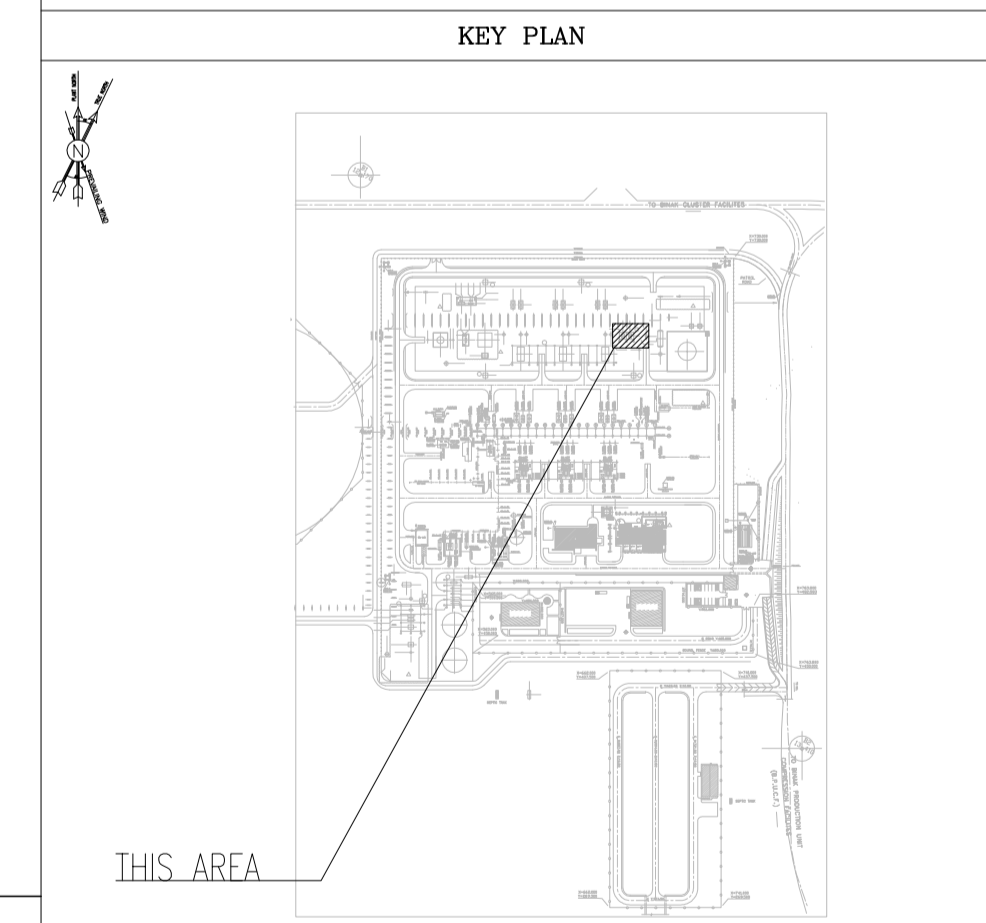
- NOTES**
1. ALL DIMENSIONS ARE IN MILLIMETER & ALL ELEVATIONS ARE IN METER.
  2. ALL DIMENSIONS AND ELEVATIONS SHALL BE CHECKED BY THE CONTRACTOR PRIOR TO CONSTRUCTION.
  3. CONTRACTOR SHALL COMPARE ALL ARCHITECTURAL, MECHANICAL, ELECTRICAL, PIPING AND STRUCTURAL DRAWINGS AND IN CASE OF ANY CONFLICTS OR DISCREPANCY, INFORM THE ENGINEER.
  4. ALL MATERIALS ARE SELECTED FROM THE HIGHEST QUALITY AND MUST BE APPROVED BY THE CLIENT.
  5. ALL OPENINGS FOR PIPING/CABLING AND HVAC OPENINGS SHALL BE CONSIDERED AS PER RELATED DRAWINGS BEFORE CONSTRUCTION.
  6. ALL INTERNAL SLOPES FOR FLOOR DRAINS ARE 1% UNLESS STATED.
  7. FINISH GRADE LEVEL (F.G.L.) =±0.00=+11.20 (M.S.L.)

**LEGEND**

CORRUGATED GALVANIZED SHEET - THK. : 0.75mm	
HANDRAIL	
BRICK FACE	
REINFORCED CONCRETE	
LEAN CONCRETE	
BLOCKAGE	

- T.O.B. TOP OF BRACKET  
H.P.G. HIGHEST POINT OF PAVING  
T.O.PA TOP OF PAVEMENT  
T.O.PE. TOP OF PEDESTAL  
B.O.GU. BOTTOM OF GUTTER  
L.P.L. LOWEST POINT LEVEL  
H.P.L. HIGHEST POINT LEVEL  
B.O.G. BOTTOM OF GIRT  
T.O.S. TOP OF SHELTER  
T.O.C. TOP OF CONCRETE  
T.O.F. TOP OF FOUNDATION

REFERENCE DRAWING	DRG. No.
ROAD, PAVING AND PLANT FINISH GRADING LAYOUT & SECTIONS	BK-GCS-PEDCO-120-CV-PY-0005
FOUNDATION DRAWING FOR CHEMICAL INJECTION AND STORAGE SHELTER	BK-GCS-PEDCO-120-ST-DW-0057
STRUCTURAL DRAWING FOR CHEMICAL INJECTION AND STORAGE SHELTER	BK-GCS-PEDCO-120-ST-DW-0058
STANDARD DRAWING FOR ARCHITECTURAL DETAILS	BK-GNRL-PEDCO-000-ST-DW-0006
UNIT PLAT PLAN DRAWING	BK-GCS-PEDCO-120-PI-PY-0001
STANDARD DRAWING FOR PAVINGS	BK-GNRL-PEDCO-000-CV-DW-0035
STANDARD DRAWING FOR HANDRAIL	BK-GNRL-PEDCO-000-ST-DW-0006
SITE SEWERAGE SYSTEM LAYOUT & DETAILS	BK-GCS-PEDCO-120-CV-PY-0001
AREA ELECTRICAL CABLE ROUTE & SECTION LAYOUT	BK-GCS-PEDCO-120-EL-PY-0005



REV.	DATE	DESCRIPTION	BY	DATE	BY	DATE
D06	NOV.2023	AFC	R.BERLOUIE	M.PAKHARIAN	S.Paramarzpour	***
D05	SEP.2023	AFC	R.BERLOUIE	M.PAKHARIAN	A.M.MOHSENI	***
D04	JUL.2023	IFA	R.BERLOUIE	M.PAKHARIAN	A.M.MOHSENI	**
D03	MAY.2023	IFA	R.BERLOUIE	M.PAKHARIAN	M.Mehrshad	**
D02	JAN.2023	IFA	R.BERLOUIE	M.PAKHARIAN	M.Mehrshad	**
D01	OCT.2022	IPC	R.BERLOUIE	M.PAKHARIAN	M.Mehrshad	**
D00	AUG.2022	IPC	R.BERLOUIE	M.PAKHARIAN	M.Mehrshad	**

**PROJECT NAME:** BINAK OILFIELD DEVELOPMENT/SURFACE FACILITIES GAS COMPRESSOR STATION

**PROJECT NO.:** 971020

**EPC CONTRACTOR:** HIRGAN ENERGY - DESIGN & INSPECTION COMPANIES

**EPD/EPC CONTRACTOR (GC):** PETROIRAN DEVELOPMENT COMPANY

DATE	SCALE	DRAWING BY	CHECKED BY	PROJECT ENG.

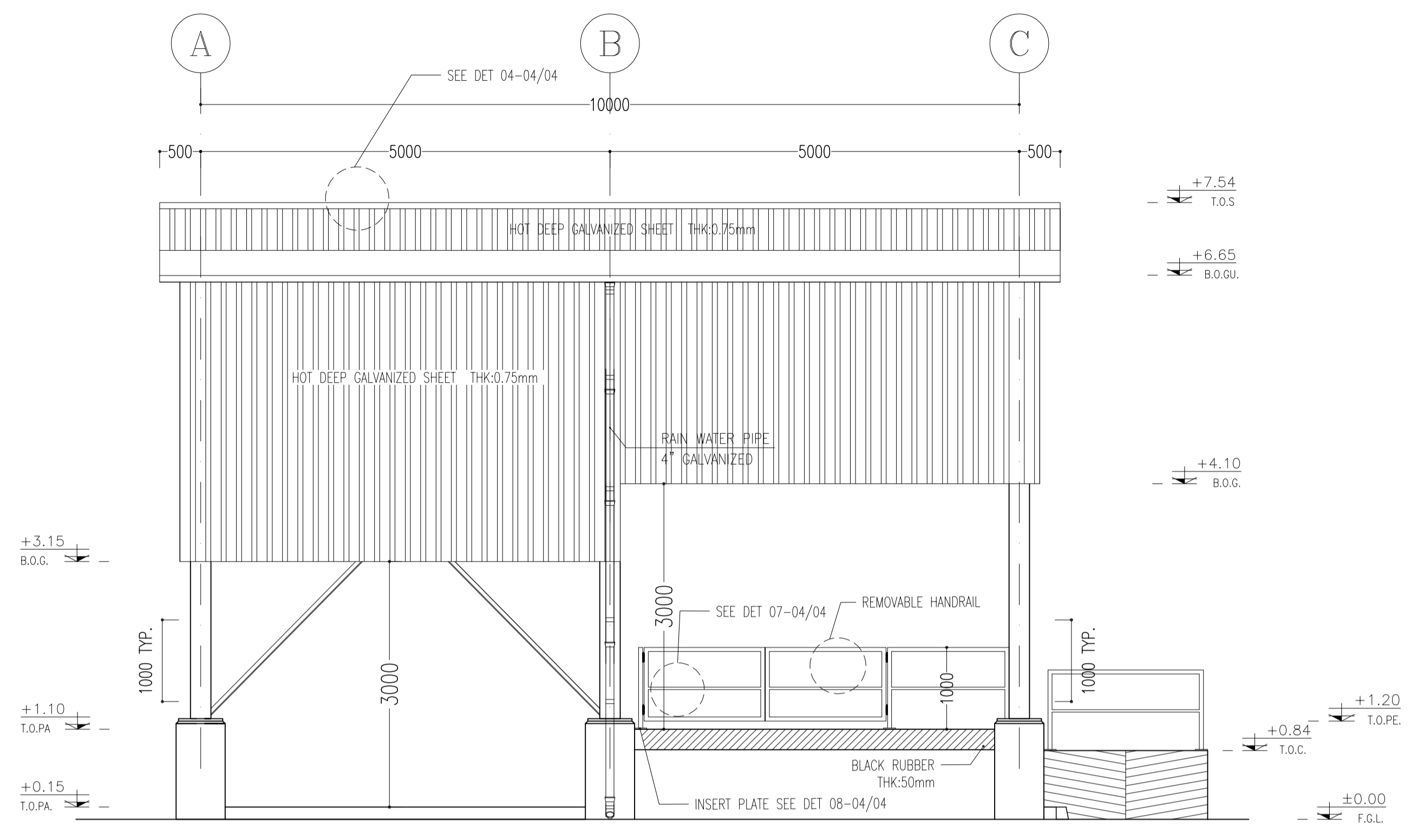
**DRAWING TITLE:** ARCHITECTURAL DRAWING FOR CHEMICAL INJ. PACKAGES/CHEMICAL STORAGE SHELTER PLANS

SCALE	SIZE	DRAWING NO.	SHEET NO.	REV.
AS SHOWN	A1	BK-GCS-PEDCO-120-AR-DW-0004	01 OF 04	D06

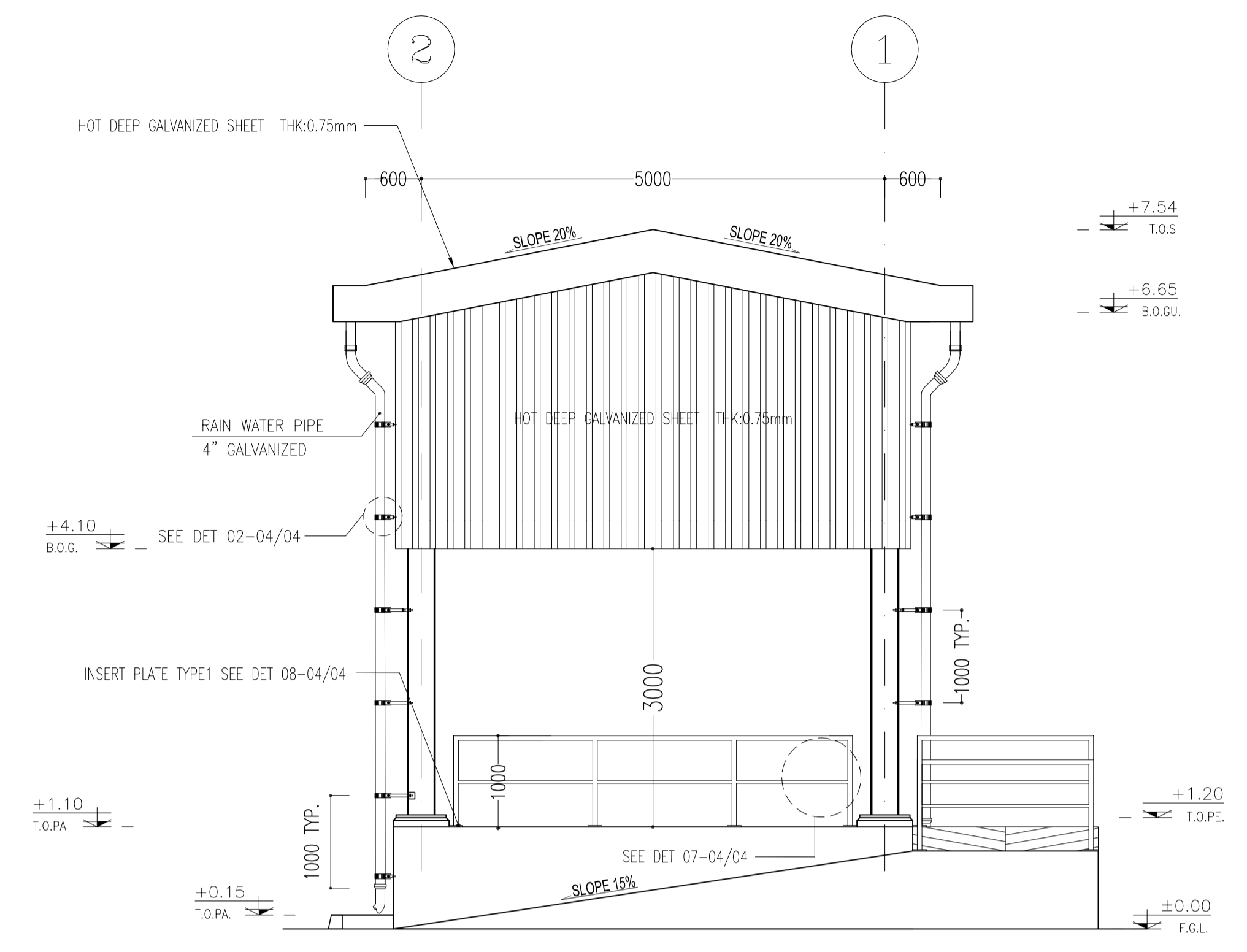
**NO CONSTRUCTION PERMITTED UNLESS DRAWING APPROVED**

APPROVED FOR CONSTRUCTION	BY:	DATE:

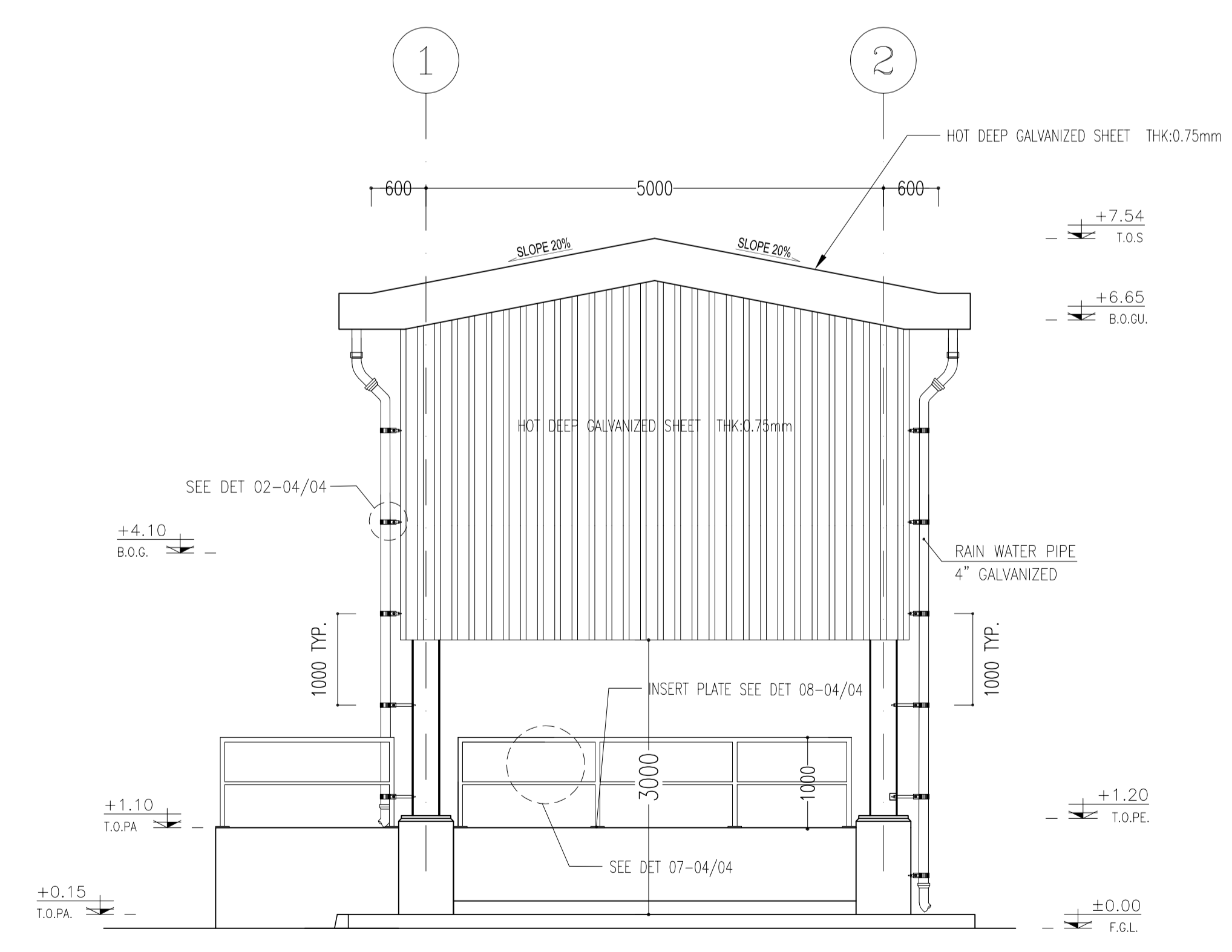
BUDGET REF.	LOCATION	SIZE CLASS	SERIAL NO.	SHEET	REVISION
053-073-9184	F	4	B	709102	01 OF 04



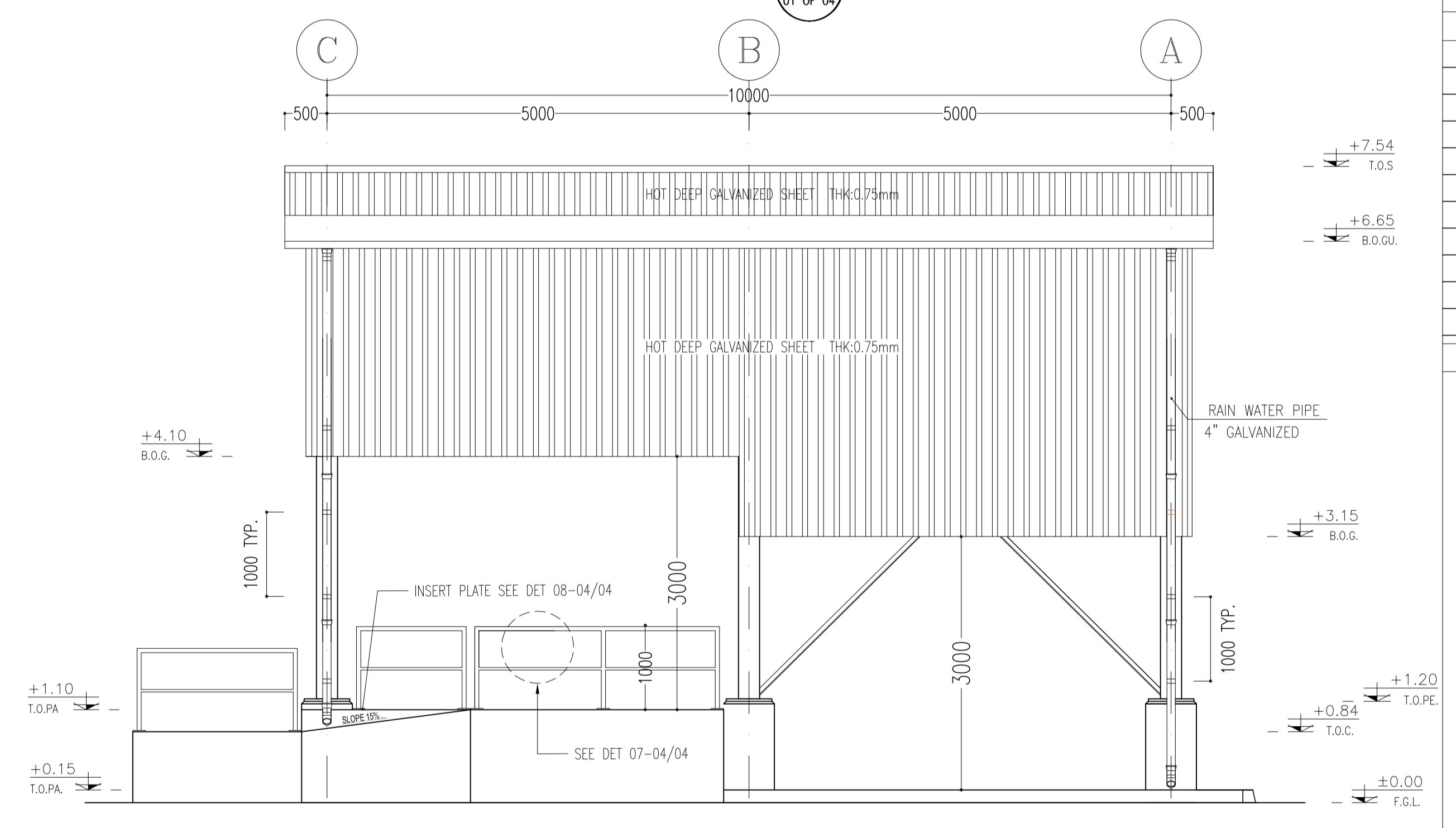
1 ELEVATION  
01 OF 04



2 ELEVATION  
01 OF 04



4 ELEVATION  
01 OF 04



3 ELEVATION  
01 OF 04

- NOTES**
1. ALL DIMENSIONS ARE IN MILLIMETER & ALL ELEVATIONS ARE IN METER.
  2. ALL DIMENSIONS AND ELEVATIONS SHALL BE CHECKED BY THE CONTRACTOR PRIOR TO CONSTRUCTION.
  3. CONTRACTOR SHALL COMPARE ALL ARCHITECTURAL, MECHANICAL, ELECTRICAL, PIPING AND STRUCTURAL DRAWINGS AND IN CASE OF ANY CONFLICTS OR DISCREPANCY, INFORM THE ENGINEER.
  4. ALL MATERIALS ARE SELECTED FROM THE HIGHEST QUALITY AND MUST BE APPROVED BY THE CLIENT.
  5. ALL OPENINGS FOR PIPING/CABLING AND HVAC OPENINGS SHALL BE CONSIDERED AS PER RELATED DRAWINGS BEFORE CONSTRUCTION.
  6. ALL INTERNAL SLOPES FOR FLOOR DRAINS ARE 1% UNLESS STATED.
  7. FINISH GRADE LEVEL (F.G.L.) = ±0.00 (+11.20 M.A.S.L.)

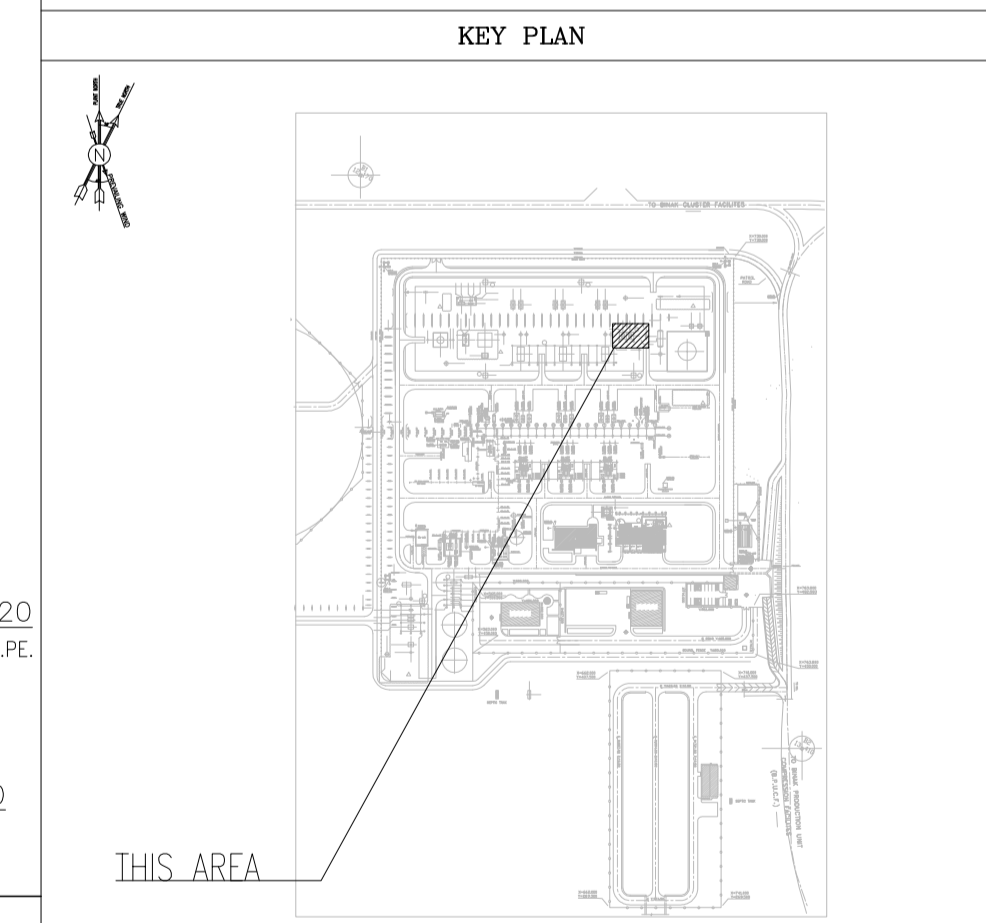
**LEGEND**

CORRUGATED GALVANIZED SHEET - THK : 0.75mm	
HANDRAIL	
BRICK FACE	
REINFORCED CONCRETE	
LEAN CONCRETE	
BLOCKAGE	

T.O.B. TOP OF BRACKET  
H.P.G. HIGHEST POINT OF PAVING  
T.O.P.A. TOP OF PAVEMENT  
T.O.P.E. TOP OF PEDESTAL  
B.O.G.U. BOTTOM OF GUTTER  
L.P.L. LOWEST POINT LEVEL  
H.P.L. HIGHEST POINT LEVEL  
B.O.G. BOTTOM OF GIRT  
T.O.S. TOP OF SHELTER  
T.O.C. TOP OF CONCRETE  
T.O.F. TOP OF FOUNDATION

**REFERENCE DRAWING**

REFERENCE DRAWING	DRG. No.
ROAD, PAVING AND PLANT FINISH GRADING LAYOUT & SECTIONS	BK-GCS-PEDCO-120-CV-PY-0005
FOUNDATION DRAWING FOR CHEMICAL INJECTION AND STORAGE SHELTER	BK-GCS-PEDCO-120-ST-DW-0057
STRUCTURAL DRAWING FOR CHEMICAL INJECTION AND STORAGE SHELTER	BK-GCS-PEDCO-120-ST-DW-0058
STANDARD DRAWING FOR ARCHITECTURAL DETAILS	BK-GNRL-PEDCO-000-ST-DW-0006
UNIT PLAT PLAN DRAWING	BK-GCS-PEDCO-120-PI-PY-0001
STANDARD DRAWING FOR PAVINGS	BK-GNRL-PEDCO-000-CV-DW-0035
STANDARD DRAWING FOR HANDRAIL	BK-GNRL-PEDCO-000-ST-DW-0006
SITE SEWERAGE SYSTEM LAYOUT & DETAILS	BK-GCS-PEDCO-120-CV-PY-0001
AREA ELECTRICAL CABLE ROUTE & SECTION LAYOUT	BK-GCS-PEDCO-120-EL-PY-0005



REV.	DESCRIPTION	BY	DATE	BY	DATE
D06	NOV. 2023	APC	R.BERLOUIE	M.PAKHARIAN	S.Paramaripour
D05	SEP. 2023	APC	R.BERLOUIE	M.PAKHARIAN	A.M.MOHSSENI
D04	JUL. 2023	IFA	R.BERLOUIE	M.PAKHARIAN	A.M.MOHSSENI
D03	MAY. 2023	IFA	R.BERLOUIE	M.PAKHARIAN	M.Mehrshad
D02	JAN. 2023	IFA	R.BERLOUIE	M.PAKHARIAN	M.Mehrshad
D01	OCT. 2022	IPC	R.BERLOUIE	M.PAKHARIAN	M.Mehrshad
D00	AUG. 2022	IPC	R.BERLOUIE	M.PAKHARIAN	M.Mehrshad

PROJECT NAME: **BINAK OILFIELD DEVELOPMENT/SURFACE FACILITIES GAS COMPRESSOR STATION**

PROJECT NO.: 971020

EPC CONTRACTOR: **HIRGAN ENERGY** (Logo) **TE** (Logo)  
HIRGAN ENERGY - DESIGN & INSPECTION COMPANIES

EPD/EPC CONTRACTOR (GC): **PETROIRAN DEVELOPMENT COMPANY** (Logo) **PEDCO** (Logo)

اسم و کلیه نسخ این نقشه و حق اقتباس متعلق به شرکت ملی مناطق نفت خیز جنوب میباشد.

**THE ORIGINAL AND ALL COPIES OF THIS DRAWING TOGETHER WITH THE COPYRIGHT THEREIN ARE THE SOLE PROPERTY OF N.I.S.O.C./ FIELDS**

**BINAK OILFIELD DEVELOPMENT SURFACE FACILITIES GAS COMPRESSOR STATION**

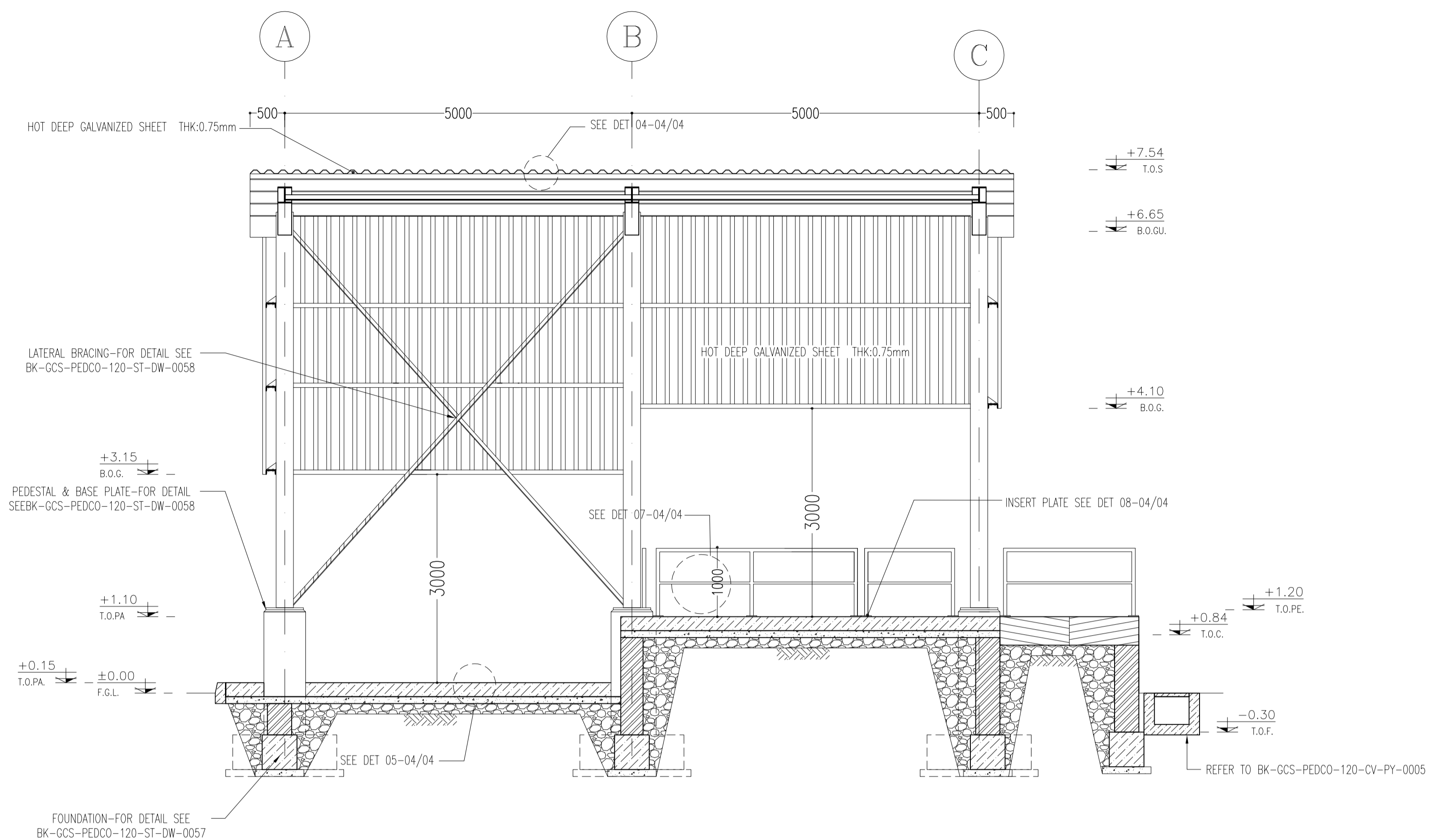
DATE	SCALE	DRAWING BY	CHECKED BY	PROJECT ENG.

**DRAWING TITLE:** ARCHITECTURAL DRAWING FOR CHEMICAL INJ. PACKAGES/CHEMICAL STORAGE SHELTER ELEVATIONS AND DETAIL

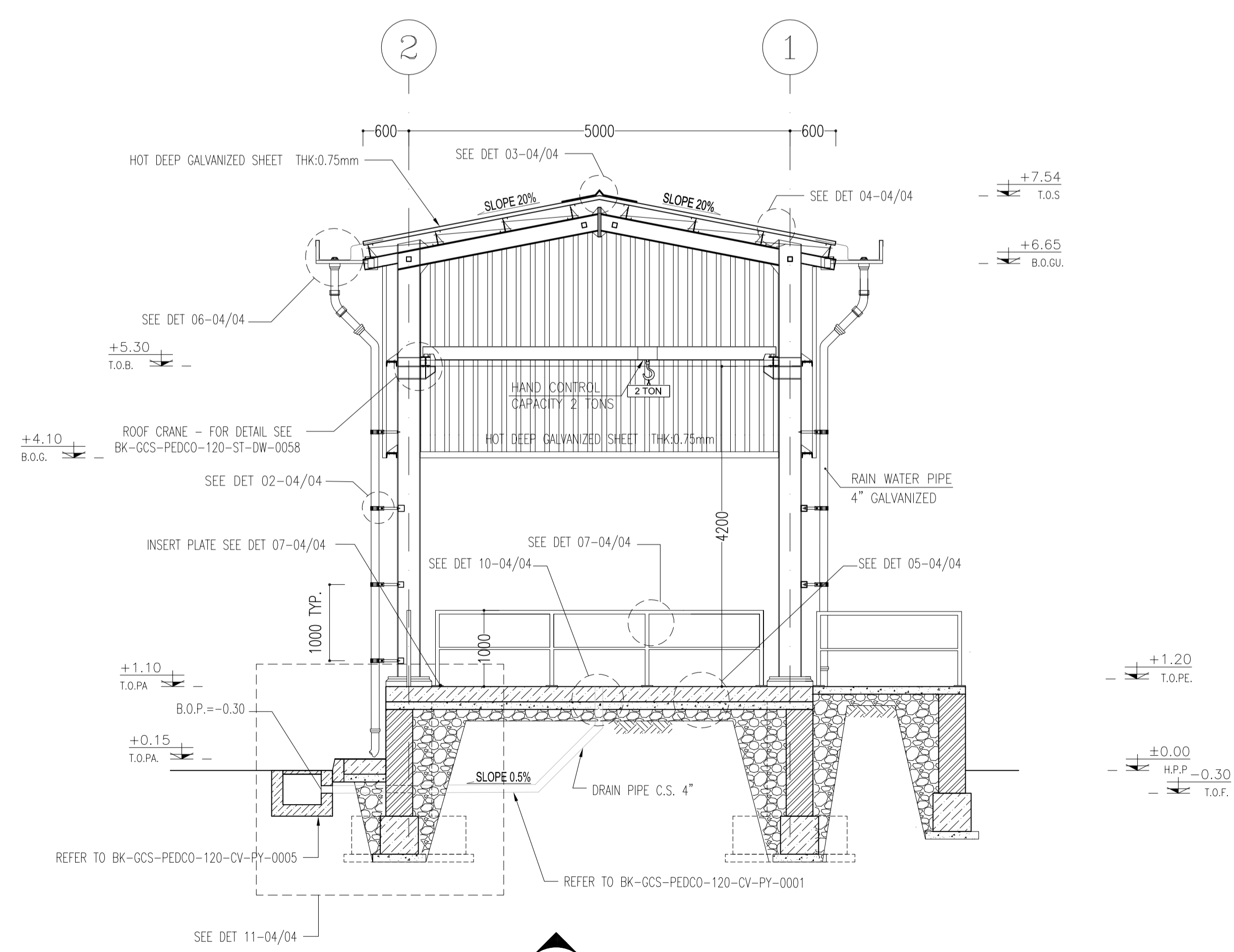
**NO CONSTRUCTION PERMITTED UNLESS DRAWING APPROVED**

APPROVED FOR CONSTRUCTION				BY:	DATE:
SCALE	SIZE	DRAWING NO.	SHEET NO.	REV.	BUDGET REF.
AS SHOWN	A1	BK-GCS-PEDCO-120-AR-DW-0004	02 OF 04	D06	053-073-9184

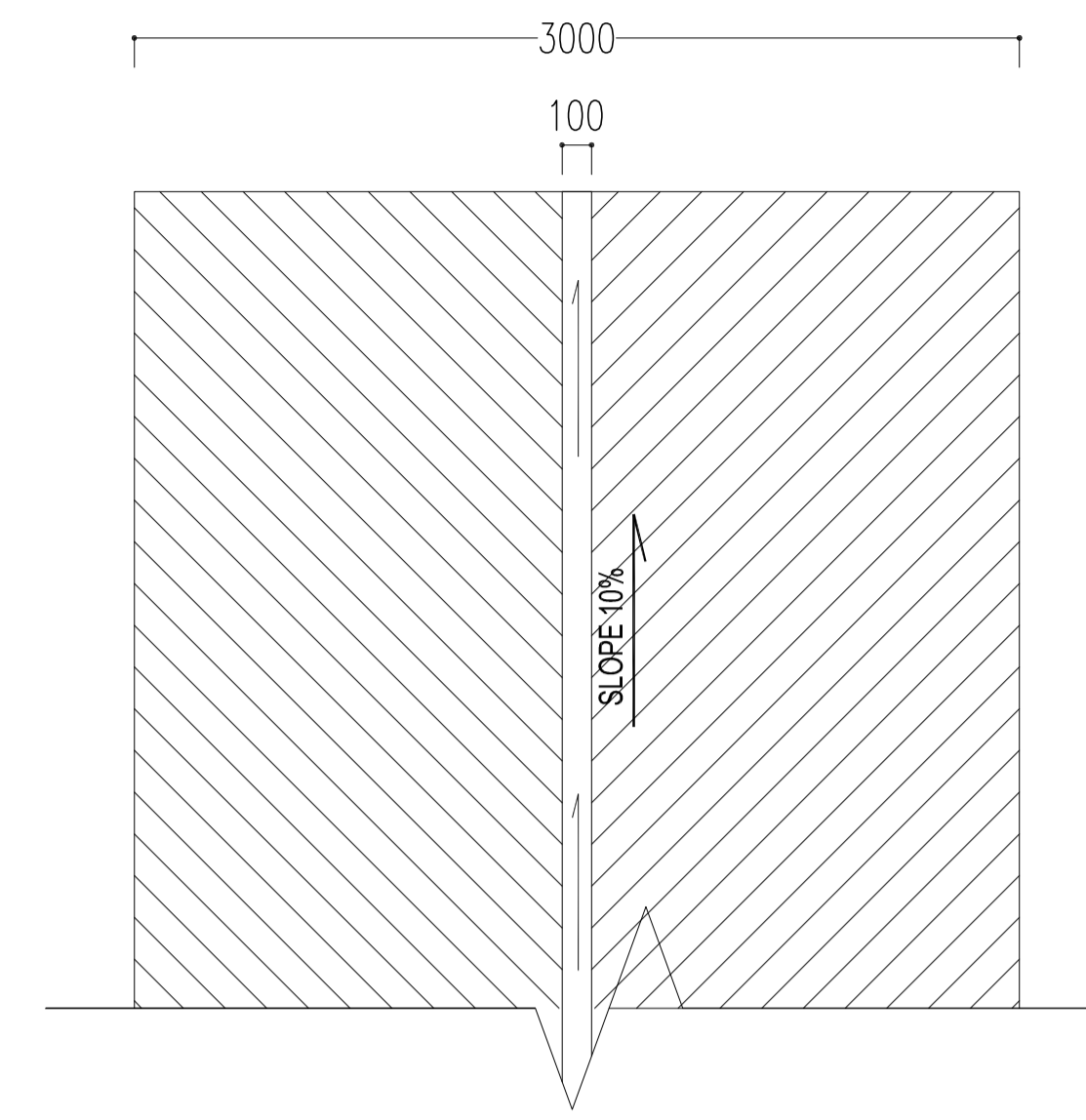
LOCATION	SIZE	CLASS	SERIAL NO.	SHEET	REVISION
F	4	B	709102	02 OF 04	D06



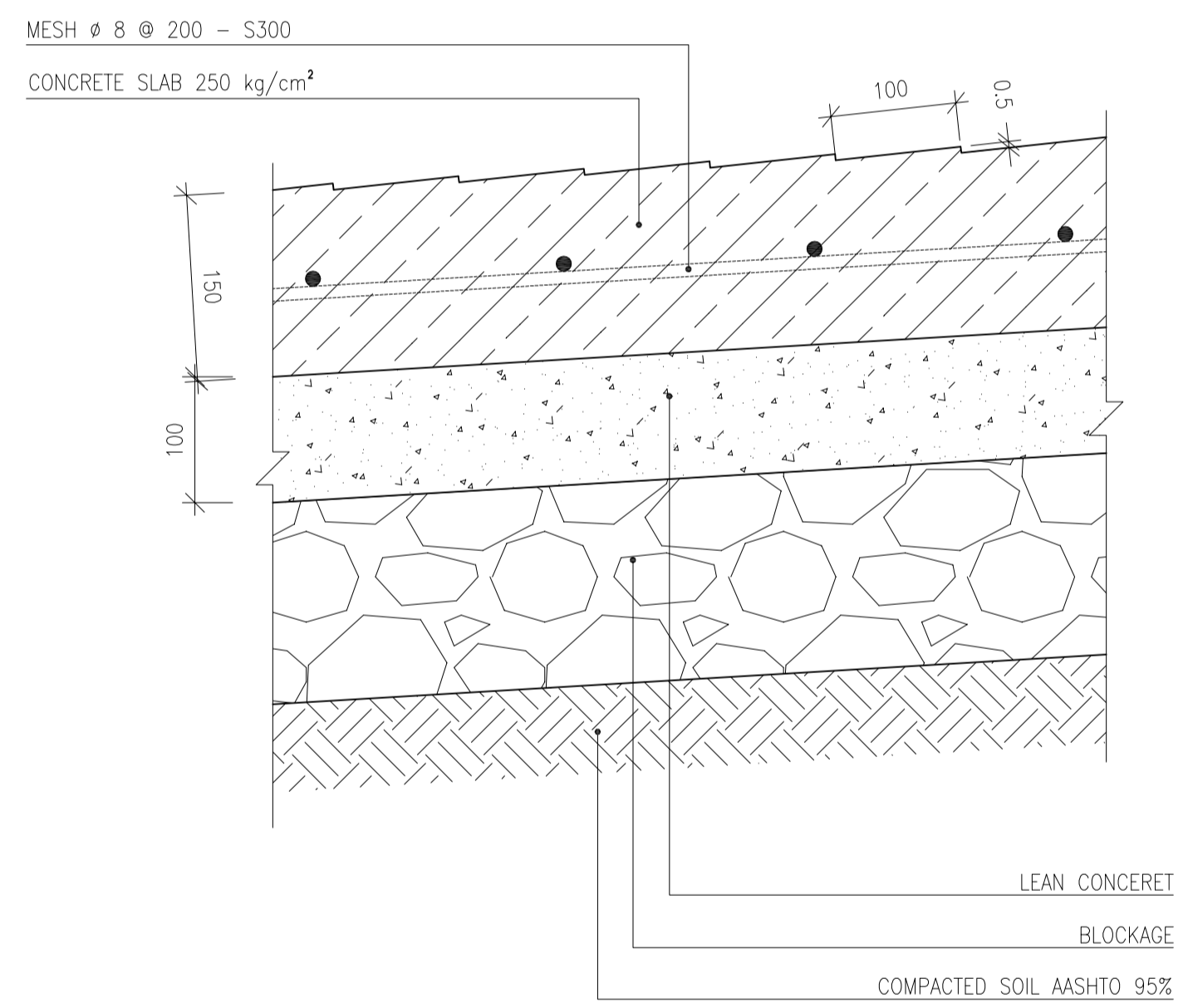
**A SECTION**  
SC:1:50 01 OF 04



**B SECTION**  
SC:1:50 01 OF 04



**01 RAMP DETAIL**  
SC:1:50



**01 RAMP DETAIL**  
SC:1:10

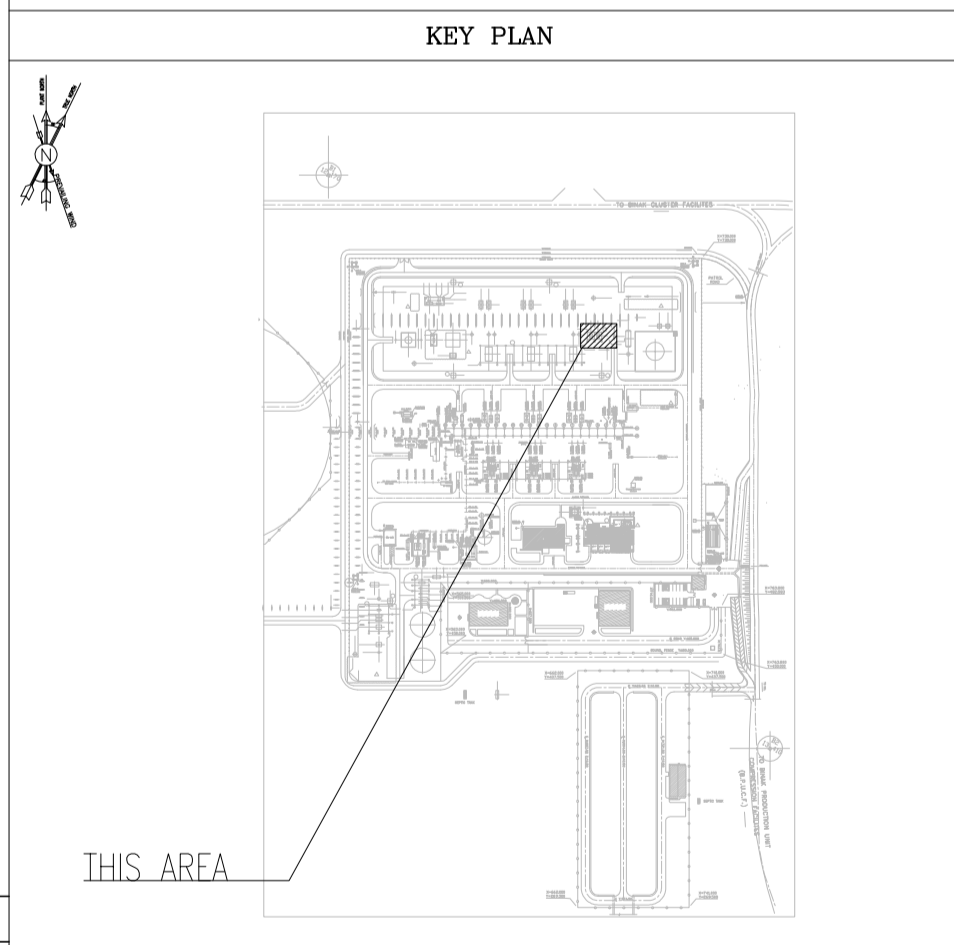
- NOTES**
1. ALL DIMENSIONS ARE IN MILLIMETER & ALL ELEVATIONS ARE IN METER.
  2. ALL DIMENSIONS AND ELEVATIONS SHALL BE CHECKED BY THE CONTRACTOR PRIOR TO CONSTRUCTION.
  3. CONTRACTOR SHALL COMPARE ALL ARCHITECTURAL, MECHANICAL, ELECTRICAL, PIPING AND STRUCTURAL DRAWINGS AND IN CASE OF ANY CONFLICTS OR DISCREPANCY, INFORM THE ENGINEER.
  4. ALL MATERIALS ARE SELECTED FROM THE HIGHEST QUALITY AND MUST BE APPROVED BY THE CLIENT.
  5. ALL OPENINGS FOR PIPING/CABLING AND HVAC OPENINGS SHALL BE CONSIDERED AS PER RELATED DRAWINGS BEFORE CONSTRUCTION.
  6. ALL INTERNAL SLOPES FOR FLOOR DRAINS ARE 1% UNLESS STATED.
  7. FINISH GRADE LEVEL (F.G.L.) =±0.00(+11.20 (M.S.L.))

**LEGEND**

CORRUGATED GALVANIZED SHEET - THK : 0.75mm	
HANDRAIL	
BRICK FACE	
REINFORCED CONCRETE	
LEAN CONCRETE	
BLOCKAGE	

- T.O.B. TOP OF BRACKET  
H.P.G. HIGHEST POINT OF PAVING  
T.O.PA TOP OF PAVEMENT  
T.O.PE. TOP OF PEDESTAL  
B.O.G.U. BOTTOM OF GUTTER  
L.P.L. LOWEST POINT LEVEL  
H.P.L. HIGHEST POINT LEVEL  
B.O.G. BOTTOM OF GIRT  
T.O.S. TOP OF SHELTER  
T.O.C. TOP OF CONCRETE  
T.O.F. TOP OF FOUNDATION

REFERENCE DRAWING	DRG. No.
ROAD, PAVING AND PLANT FINISH GRADING LAYOUT & SECTIONS	BK-GCS-PEDCO-120-CV-PY-0005
FOUNDATION DRAWING FOR CHEMICAL INJECTION AND STORAGE SHELTER	BK-GCS-PEDCO-120-ST-DW-0057
STRUCTURAL DRAWING FOR CHEMICAL INJECTION AND STORAGE SHELTER	BK-GCS-PEDCO-120-ST-DW-0058
STANDARD DRAWING FOR ARCHITECTURAL DETAILS	BK-GNRL-PEDCO-000-ST-DW-0006
UNIT PLAT PLAN DRAWING	BK-GCS-PEDCO-120-PI-PY-0001
STANDARD DRAWING FOR PAVINGS	BK-GNRL-PEDCO-000-CV-DW-0035
STANDARD DRAWING FOR HANDRAIL	BK-GNRL-PEDCO-000-ST-DW-0006
SITE SEWERAGE SYSTEM LAYOUT & DETAILS	BK-GCS-PEDCO-120-CV-PY-0001
AREA ELECTRICAL CABLE ROUTE & SECTION LAYOUT	BK-GCS-PEDCO-120-EL-PY-0005



REV.	DATE	P.O.I.S	PREP.	CHK.	APP.	AUT.
D06	NOV. 2023	APC	R.BERLOUIE	M.PAKHARIAN	S.Paramarzpour	***
D05	SEP. 2023	APC	R.BERLOUIE	M.PAKHARIAN	A.M.MOHSSENI	***
D04	JUL. 2023	IFA	R.BERLOUIE	M.PAKHARIAN	A.M.MOHSSENI	**
D03	MAY. 2023	IFA	R.BERLOUIE	M.PAKHARIAN	M.Mehrshad	**
D02	JAN. 2023	IFA	R.BERLOUIE	M.PAKHARIAN	M.Mehrshad	**
D01	OCT. 2022	IPC	R.BERLOUIE	M.PAKHARIAN	M.Mehrshad	**
D00	AUG. 2022	IPC	R.BERLOUIE	M.PAKHARIAN	M.Mehrshad	**

اصل و کليه نسخ این نقشه و حق اقتباس متعلق به شرکت ملی مناطق نفت خیز جنوب میباشد.  
THE ORIGINAL AND ALL COPIES OF THIS DRAWING TOGETHER WITH THE COPYRIGHT THEREIN ARE THE SOLE PROPERTY OF N.I.S.O.C./ FIELDS

**PROJECT NAME:** BINAK OILFIELD DEVELOPMENT/SURFACE FACILITIES GAS COMPRESSOR STATION

**PROJECT NO.:** 971020

**EPC CONTRACTOR:** HIRGAN ENERGY - DESIGN & INSPECTION COMPANIES

**EPD/EPC CONTRACTOR (GC):** PETROIRAN DEVELOPMENT COMPANY

**DRAWING TITLE:** ARCHITECTURAL DRAWING FOR CHEMICAL INJ. PACKAGES/CHEMICAL STORAGE SHELTER SECTIONS & DETAIL

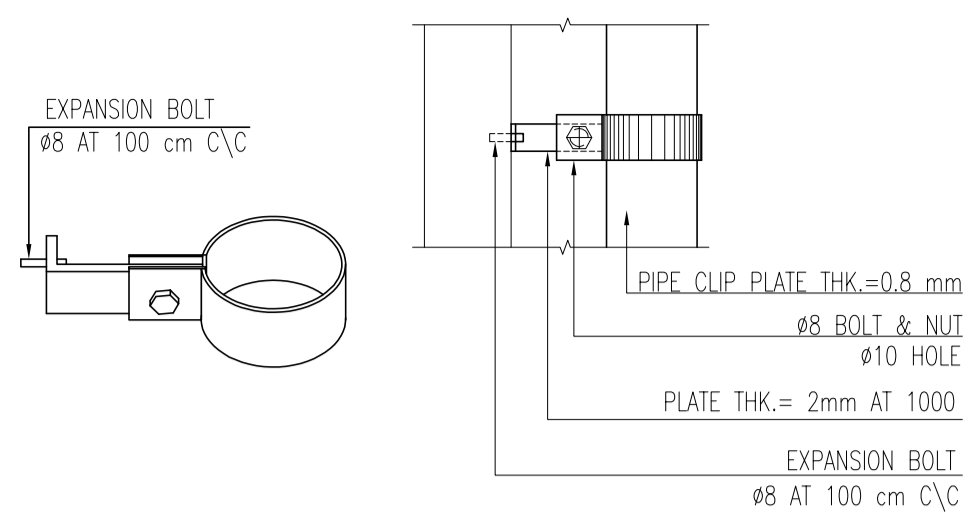
SCALE	SIZE	DRAWING NO.	SHEET NO.	REV.	BUDGET REF.	LOCATION	SIZE CLASS	SERIAL NO.	SHEET	REVISION
AS SHOWN	A1	BK-GCS-PEDCO-120-AR-DW-0004	03 OF 04	D06	053-073-9184	F	4	B	709102	03 OF 04 D06

**NO CONSTRUCTION PERMITTED UNLESS DRAWING APPROVED**

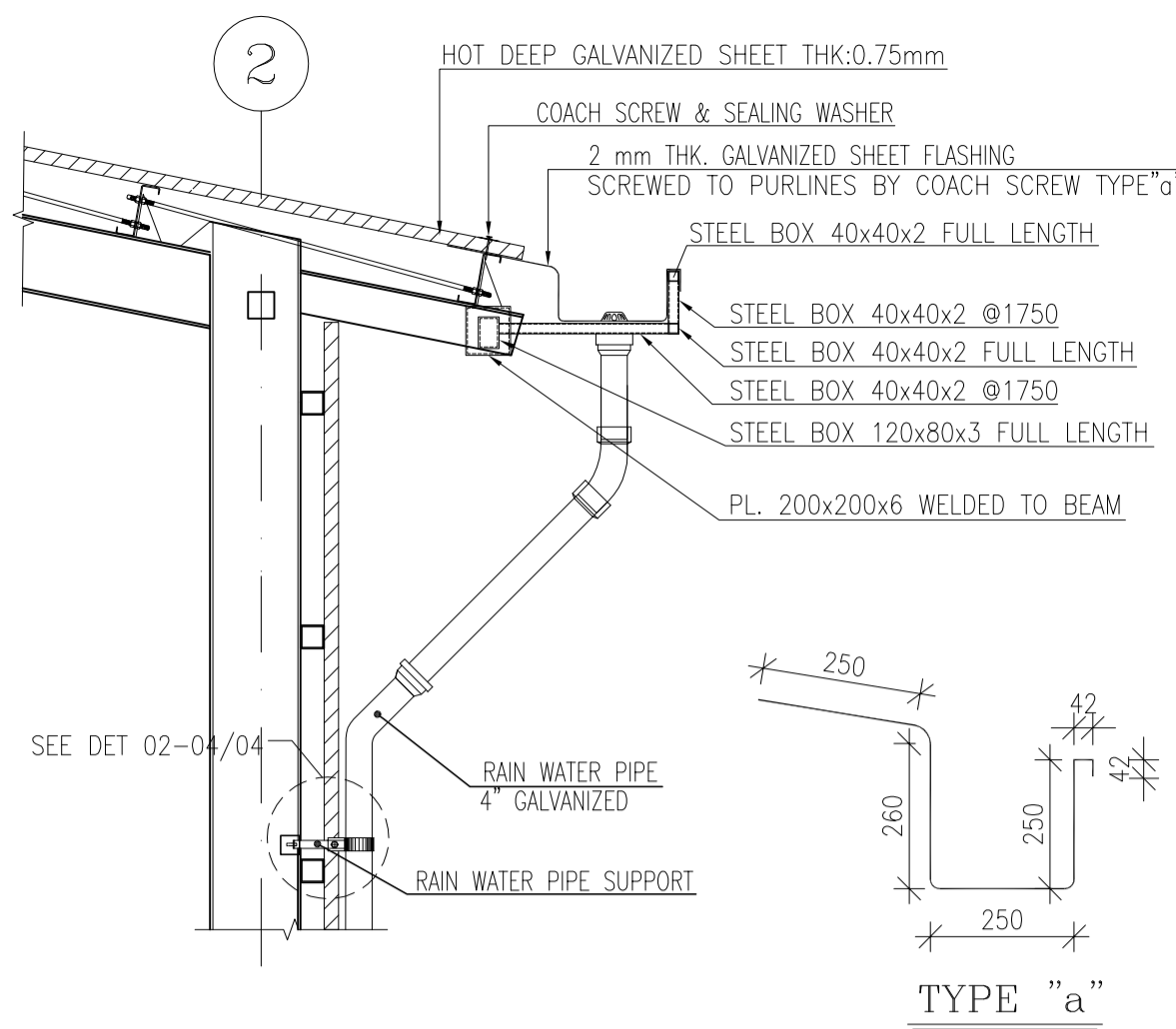
DATE	SCALE	DRAWING BY	CHECKED BY	PROJECT ENG.

**APPROVED FOR CONSTRUCTION**

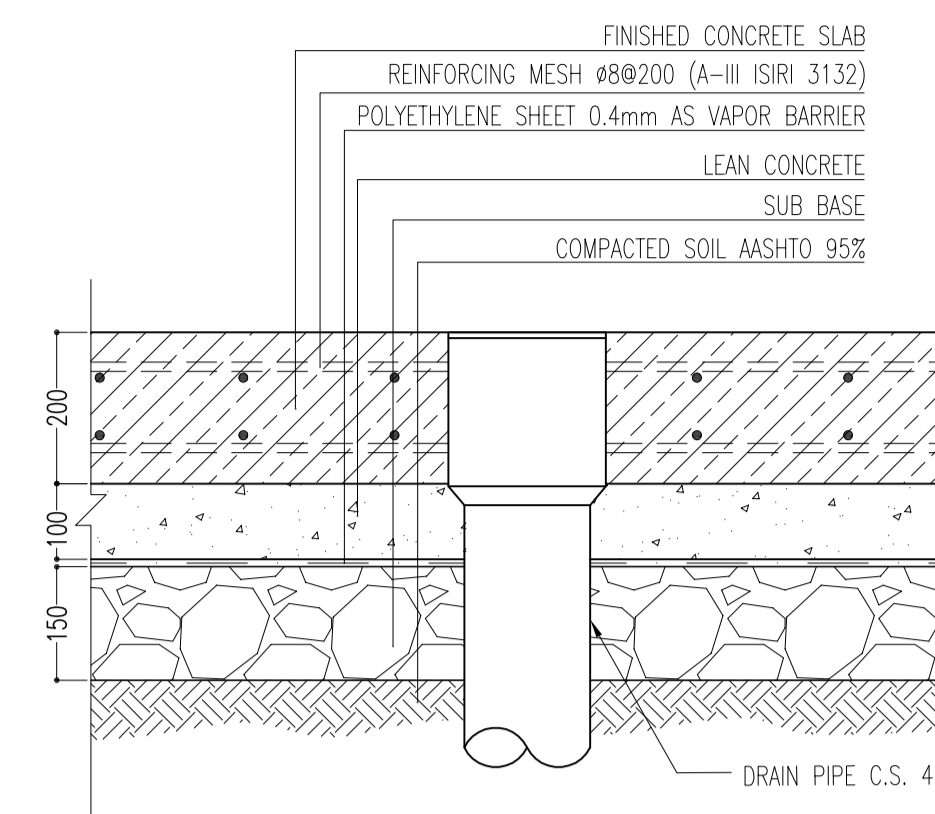
BY:	DATE:



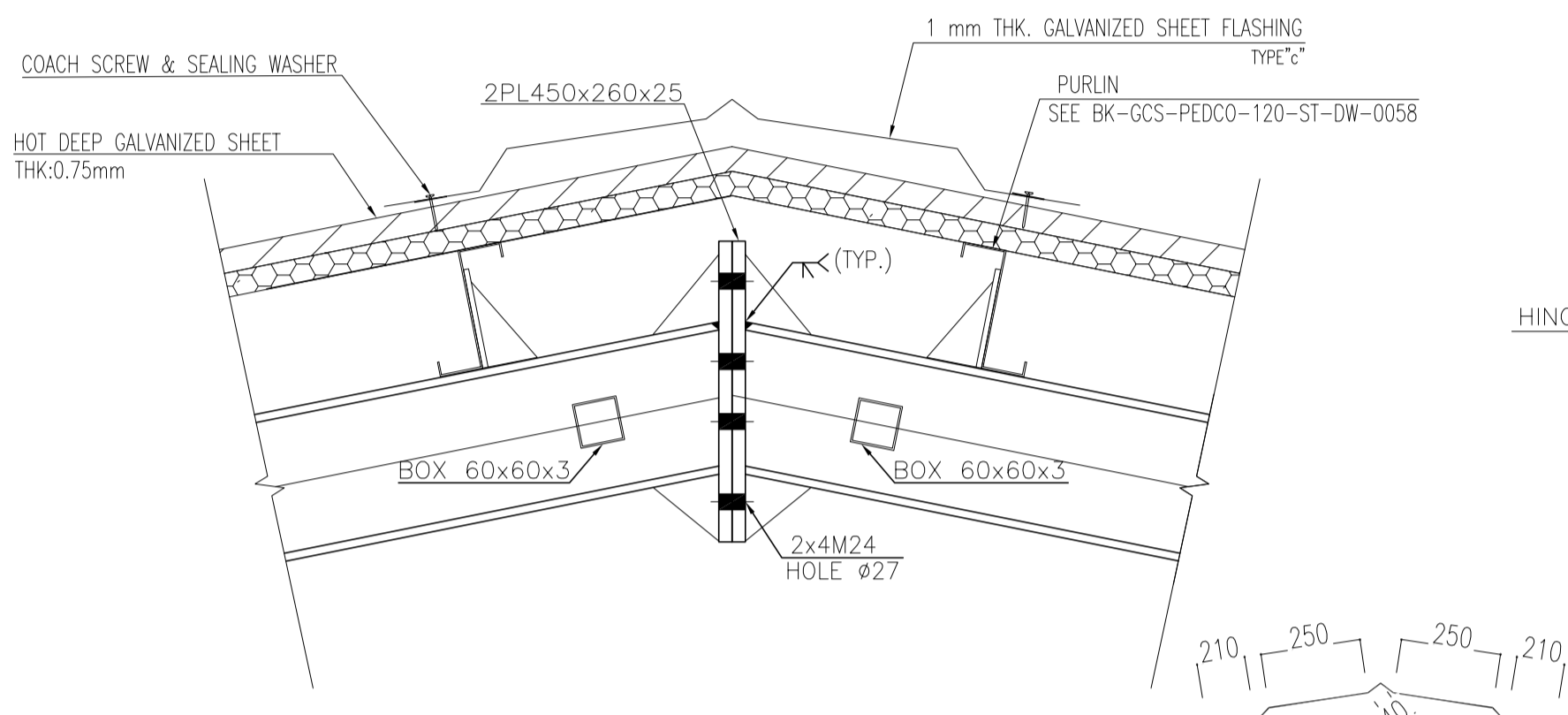
02 DETAIL 02  
SC:1:10



06 DETAIL 06  
SC:1:25

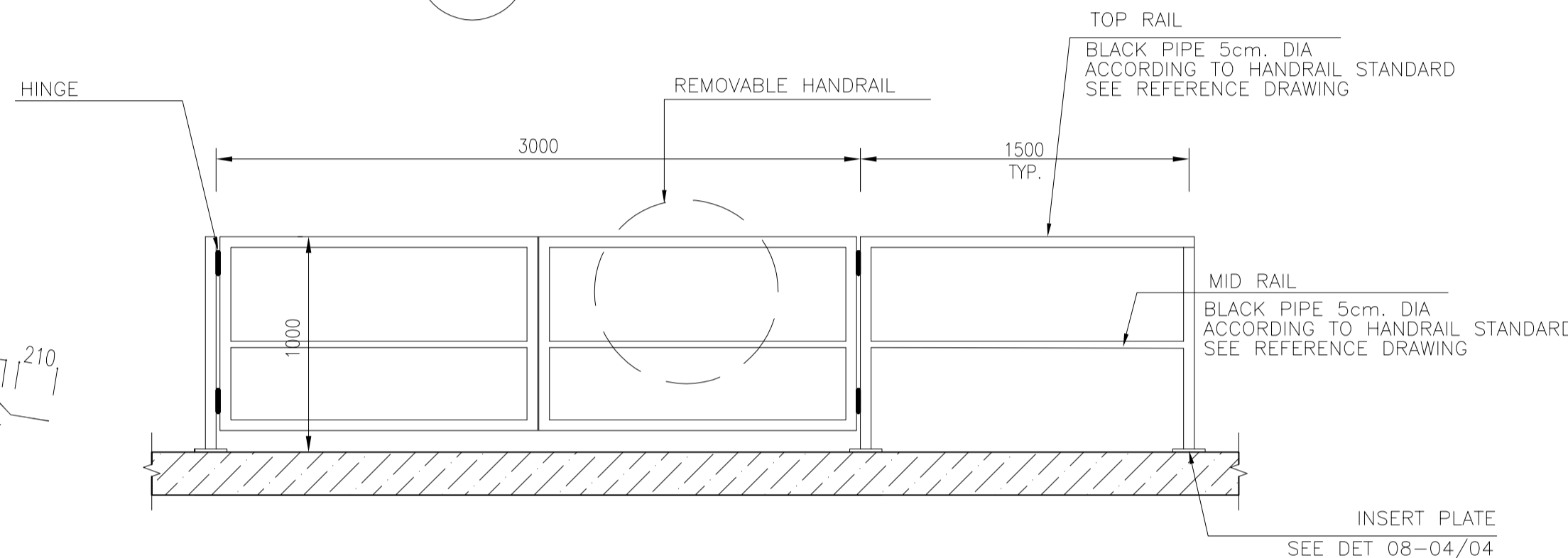


10 DETAIL 10  
SC:1:10

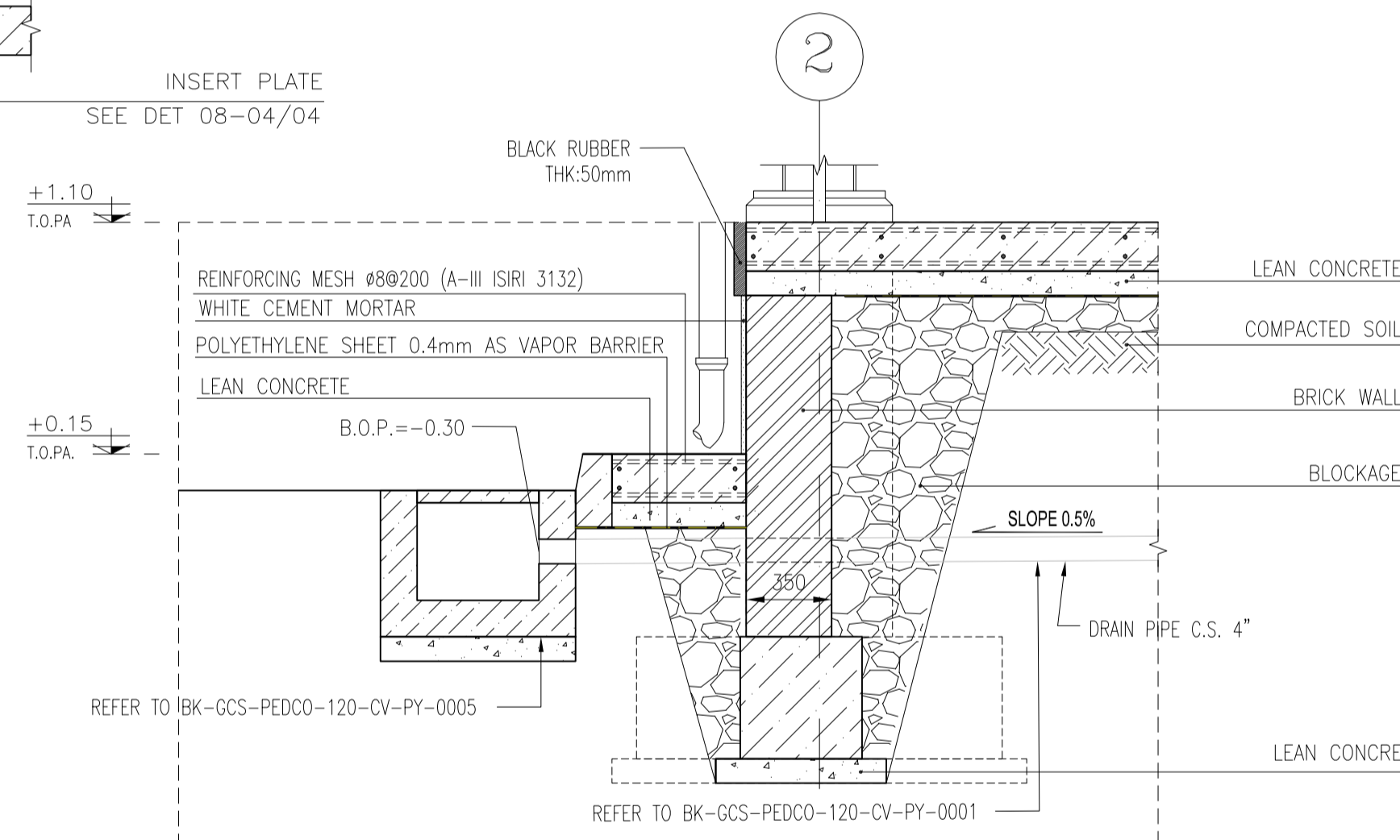


03 DETAIL 03  
SC:1:10

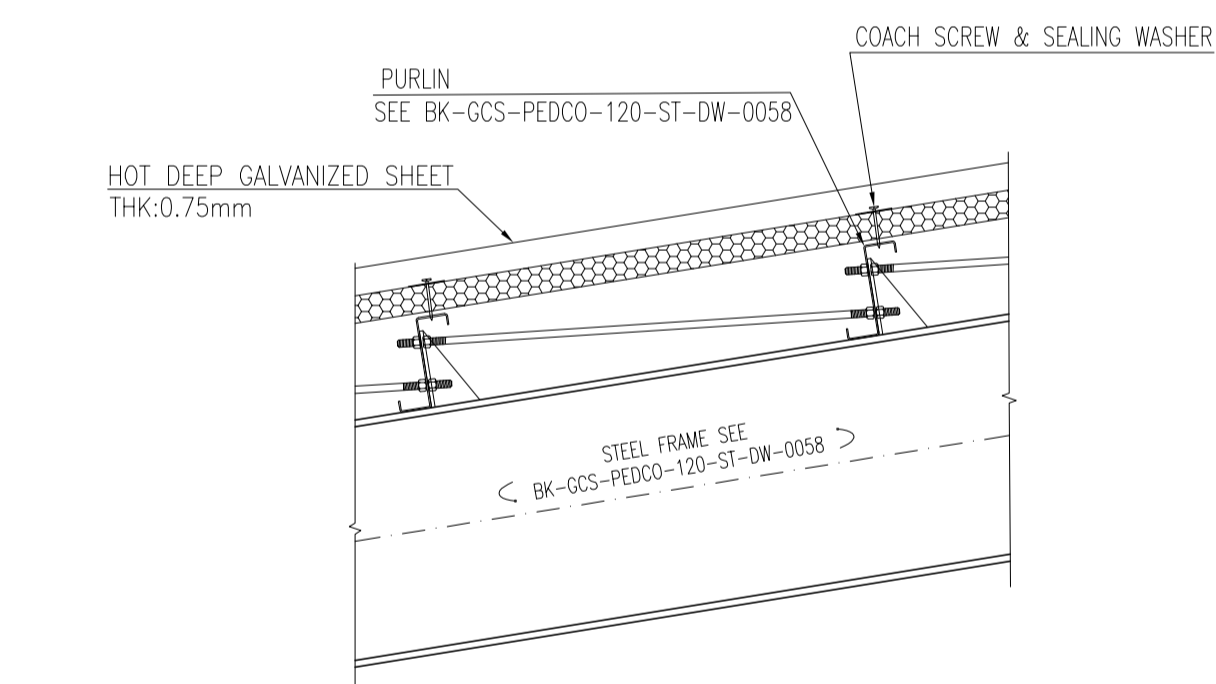
TYPE 'c'  
SC:1:5



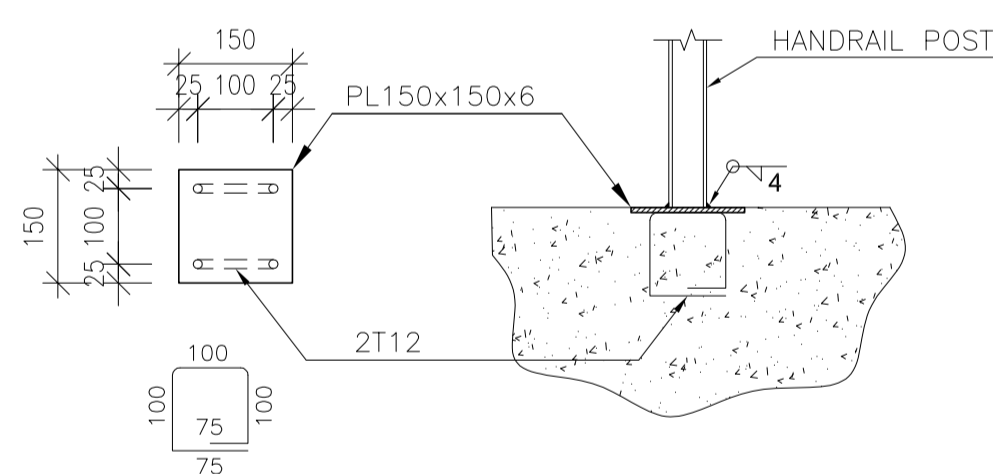
07 DETAIL 07  
SC:1:25



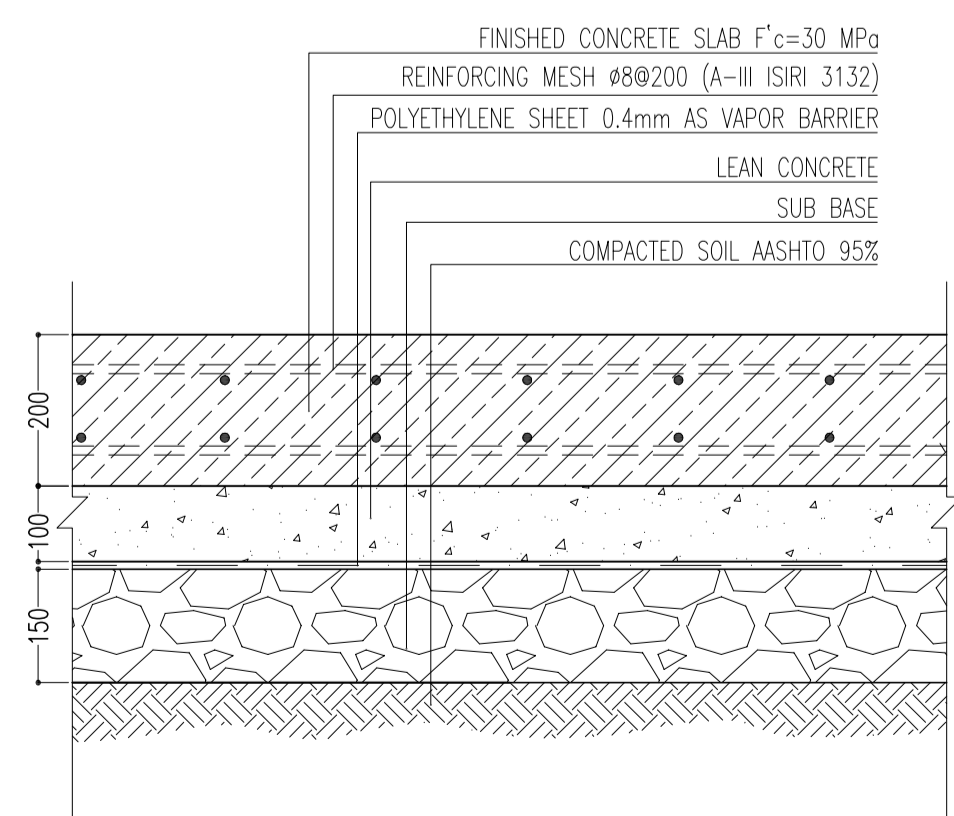
11 DETAIL 11  
SC:1:25



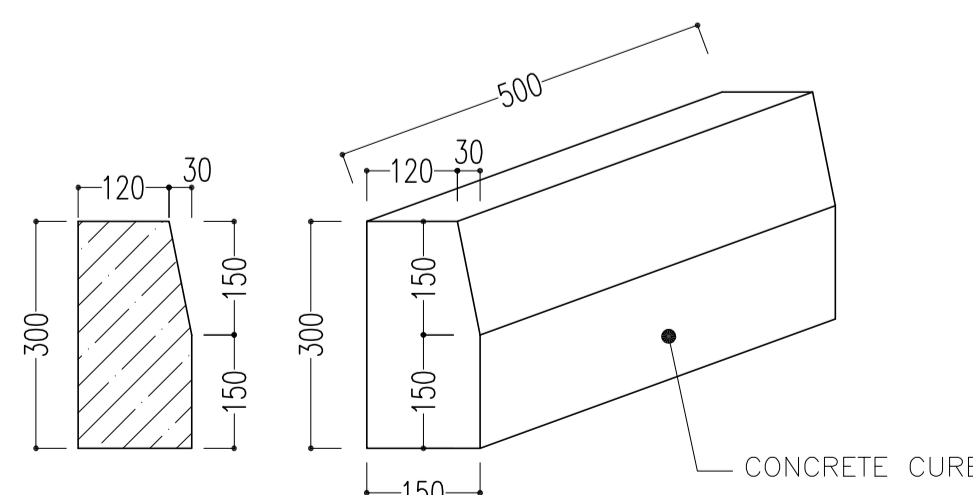
04 DETAIL 04  
SC:1:10



08 DETAIL 08  
SC:1:10



05 DETAIL 05  
SC:1:10



09 DETAIL 09  
SC:1:10

**NOTES**

- ALL DIMENSIONS ARE IN MILLIMETER & ALL ELEVATIONS ARE IN METER.
- ALL DIMENSIONS AND ELEVATIONS SHALL BE CHECKED BY THE CONTRACTOR PRIOR TO CONSTRUCTION.
- CONTRACTOR SHALL COMPARE ALL ARCHITECTURAL, MECHANICAL, ELECTRICAL, PIPING AND STRUCTURAL DRAWINGS AND IN CASE OF ANY CONFLICTS OR DISCREPANCY, INFORM THE ENGINEER.
- ALL MATERIALS ARE SELECTED FROM THE HIGHEST QUALITY AND MUST BE APPROVED BY THE CLIENT.
- ALL OPENINGS FOR PIPING/CABLING AND HVAC OPENINGS SHALL BE CONSIDERED AS PER RELATED DRAWINGS BEFORE CONSTRUCTION.
- ALL INTERNAL SLOPES FOR FLOOR DRAINS ARE 1% UNLESS STATED.
- FINISH GRADE LEVEL (F.G.L.) =±0.00+11.20 (M.S.L.)

**LEGEND**

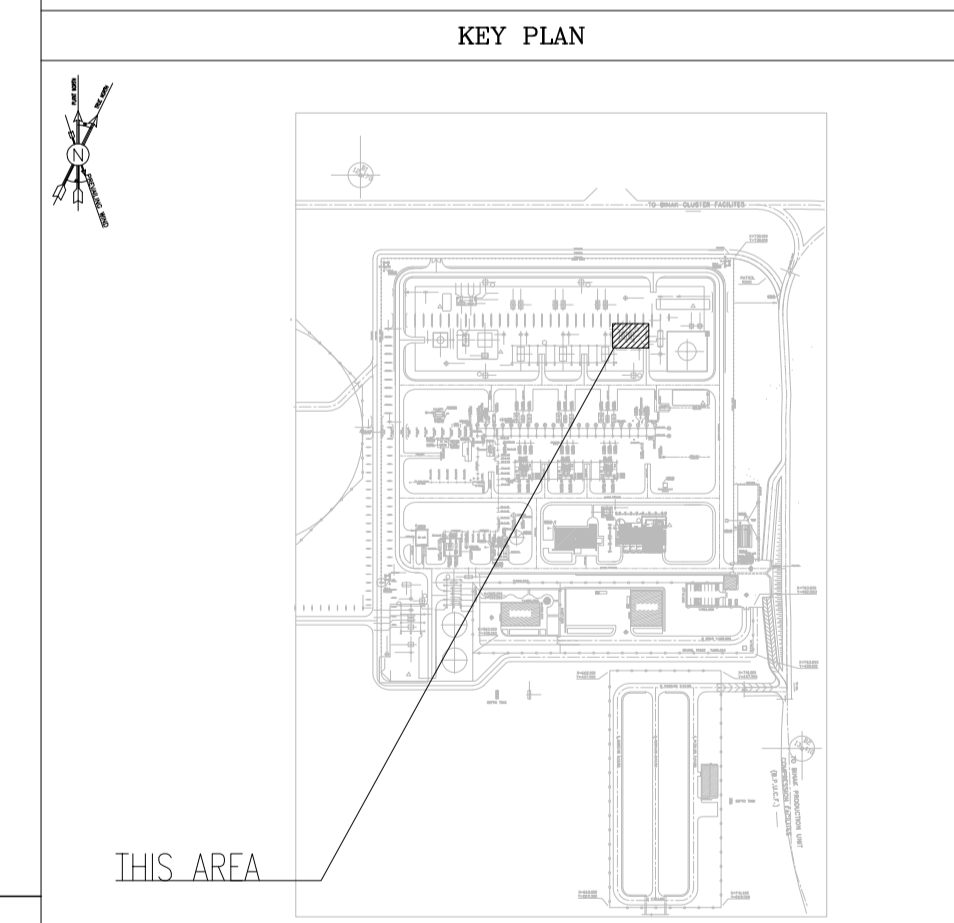
REINFORCED CONCRETE

LEAN CONCRETE

BLOCKAGE

T.O.B. TOP OF BRACKET  
H.P.G. HIGHEST POINT OF PAVING  
T.O.PA TOP OF PAVEMENT  
T.O.PE. TOP OF PEDESTAL  
B.O.GU. BOTTOM OF GUTTER  
L.P.L. LOWEST POINT LEVEL  
H.P.L. HIGHEST POINT LEVEL  
B.O.G. BOTTOM OF GIRT  
T.O.S. TOP OF SHELTER  
T.O.C. TOP OF CONCRETE  
T.O.F. TOP OF FOUNDATION

REFERENCE DRAWING	DRG. No.
ROAD, PAVING AND PLANT FINISH GRADING LAYOUT & SECTIONS	BK-GCS-PEDCO-120-CV-PY-0005
FOUNDATION DRAWING FOR CHEMICAL INJECTION AND STORAGE SHELTER	BK-GCS-PEDCO-120-ST-DW-0057
STRUCTURAL DRAWING FOR CHEMICAL INJECTION AND STORAGE SHELTER	BK-GCS-PEDCO-120-ST-DW-0058
STANDARD DRAWING FOR ARCHITECTURAL DETAILS	BK-GNRL-PEDCO-000-ST-DW-0006
UNIT PLAT PLAN DRAWING	BK-GCS-PEDCO-120-PI-PY-0001
STANDARD DRAWING FOR PAVINGS	BK-GNRL-PEDCO-000-CV-DW-0035
STANDARD DRAWING FOR HANDRAIL	BK-GNRL-PEDCO-000-ST-DW-0006
SITE SEWERAGE SYSTEM LAYOUT & DETAILS	BK-GCS-PEDCO-120-CV-PY-0001
AREA ELECTRICAL CABLE ROUTE & SECTION LAYOUT	BK-GCS-PEDCO-120-EL-PY-0005



D06	NOV.2023	AFC	R.BERLOUIE	M.PAKHARIAN	S.Paramarzpour	***
D05	SEP.2023	AFC	R.BERLOUIE	M.PAKHARIAN	A.M.MOHSSENI	***
D04	JUL.2023	IFA	R.BERLOUIE	M.PAKHARIAN	A.M.MOHSSENI	**
D03	MAY.2023	IFA	R.BERLOUIE	M.PAKHARIAN	M.Mehrshad	**
D02	JAN.2023	IFA	R.BERLOUIE	M.PAKHARIAN	M.Mehrshad	**
D01	OCT.2022	IPC	R.BERLOUIE	M.PAKHARIAN	M.Mehrshad	**
D00	AUG.2022	IPC	R.BERLOUIE	M.PAKHARIAN	M.Mehrshad	**
REV.	DATE	P.O.I.S	PREP.	CHK.	APP.	AUT.

اسم و کلیه نسخ این نقشه و حق اقتباس متعلق به شرکت ملی مناطق نفت خیز جنوب میباشد.  
 THE ORIGINAL AND ALL COPIES OF THIS DRAWING TOGETHER WITH THE COPYRIGHT THEREIN ARE THE SOLE PROPERTY OF N.I.S.O.C./ FIELDS

PROJECT NAME: BINAK OILFIELD DEVELOPMENT/SURFACE FACILITIES GAS COMPRESSOR STATION

PROJECT NO.: 971020

EPC CONTRACTOR: HIRGAN ENERGY

EPD/EPC CONTRACTOR (GC): PETROIRAN DEVELOPMENT COMPANY

DRAWING TITLE: ARCHITECTURAL DRAWING FOR CHEMICAL INJ. PACKAGES/CHEMICAL STORAGE SHELTER DETAILS

SCALE	SIZE	DRAWING NO.	SHEET NO.	REV.	BUDGET REF.	LOCATION	SIZE CLASS	SERIAL NO.	SHEET	REVISION
AS SHOWN	A1	BK-GCS-PEDCO-120-AR-DW-0004	04 OF 04	D06	053-073-9184	F	4	B	709102	04 OF 04

NO CONSTRUCTION PERMITTED UNLESS DRAWING APPROVED

APPROVED FOR CONSTRUCTION BY: DATE:

DATE	SCALE	DRAWING BY	CHECKED BY	PROJECT ENG.