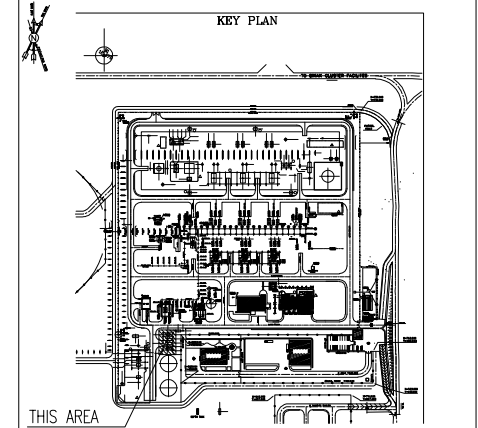


- NOTES**
1. ALL DIMENSIONS ARE IN MILLIMETER & ALL ELEVATIONS ARE IN METER.
 2. ALL DIMENSIONS AND ELEVATIONS SHALL BE CHECKED BY THE CONTRACTOR PRIOR TO CONSTRUCTION.
 3. CONTRACTOR SHALL COMPARE ALL ARCHITECTURAL, MECHANICAL, ELECTRICAL, PIPING AND STRUCTURAL DRAWINGS AND IN CASE OF ANY CONFLICTS OR DISCREPANCY, INFORM THE ENGINEER.
 4. ALL MATERIALS ARE SELECTED FROM THE HIGHEST QUALITY AND MUST BE APPROVED BY THE CLIENT.
 5. ALL OPENINGS FOR PIPING/CABLES AND HVAC OPENINGS SHALL BE CONSIDERED AS PER RELATED DRAWINGS BEFORE CONSTRUCTION.
 6. FINISH GRADING LEVEL IS EQUIVALENT=±0.00 LOCAL=+11.05 GLOBAL(M.S.L.)

- LEGEND**
- R.C. CONCRETE
 - GALVANIZED GRATING
 - F.G.L. FINISH GRADING LEVEL
 - T.O.F. TOP OF FOUNDATION
 - T.O.B. TOP OF BEAM
 - B.O.G. BOTTOM OF GIRT
 - T.O.PED. TOP OF PEDISTAL
 - T.O.S. TOP OF SHELTER
 - B.O.GU. BOTTOM OF GUTTER
 - L.P.L. LOWEST POINT LEVEL
 - H.P.L. HIGHEST POINT LEVEL
 - B.O.S. BOTTOM OF SLEEVE
 - B.O.B.P. BOTTOM OF BASE PLATE

REFERENCE DRAWING

STANDARD DRAWING FOR ARCHITECTURAL DETAILS	DRG. No.
SITE SEWERAGE SYSTEM LAYOUT & DETAILS	BK-GS-PEDCO-060-AR-DW-0001
CABLE TRENCH AND DUCT BANK LAYOUT	BK-GS-PEDCO-120-CY-PY-0002
ROAD, PAVING AND PLANT FINISH GRADING LAYOUT & SECTIONS	BK-GS-PEDCO-120-CY-PY-0005
AREA ELECTRICAL CABLE ROUTE & SECTION LAYOUT	BK-GS-PEDCO-120-EL-PY-0006
ELECTRICAL CABLE ROUTE & SECTION LAYOUT FOR BUILDING & SHEDS	BK-GS-PEDCO-120-EL-PY-0006
INSTRUMENT/PIG CABLE TRENCH/ROUTE LAYOUT DRAWING	BK-GS-PEDCO-120-IN-PY-0004
FOUNDATION DRAWING FOR FIRE WATER PUMP SHELTER	BK-GS-PEDCO-120-ST-DW-0065
STRUCTURAL DRAWING FOR FIRE WATER PUMP SHELTER	BK-GS-PEDCO-120-ST-DW-0066
UNIT PLOT PLAN DRAWING	BK-GS-PEDCO-120-PI-PY-0001



REV.	DATE	DESCRIPTION	BY	DATE	CHECKED	BY	DATE	APP.
D03	NOV.2023	IPA	R.BERLOUE	M.PAKHARJAN	S.PARANGZADEH	**	**	**
D02	SEP.2023	IPA	R.BERLOUE	M.PAKHARJAN	A.M.MOSESSENI	**	**	**
D01	JUL.2023	IPA	R.BERLOUE	M.PAKHARJAN	A.M.MOSESSENI	**	**	**
D00	OCT.2022	IPC	R.BERLOUE	M.PAKHARJAN	M.MEHRSHAD	**	**	**
REV.	DATE	P.O.I.S	PREP.	CHK.	APP.	AUT.	اصل و کلیه نسخ این نقشه و حق اقتباس متعلق به شرکت ملی مناطق نفت خیز جنوب میباشد.	

PROJECT NAME: BINAK OILFIELD DEVELOPMENT/SURFACE FACILITIES GAS COMPRESSOR STATION

PROJECT NO.: 971020

EPC CONTRACTOR: HIRGAN ENERGY - DESIGN & INSPECTION COMPANIES

EPD/EPC CONTRACTOR (GC): PETROIRAN DEVELOPMENT COMPANY

DRAWING TITLE: ARCHITECTURAL DRAWING FOR FIRE WATER PUMPS SHELTER

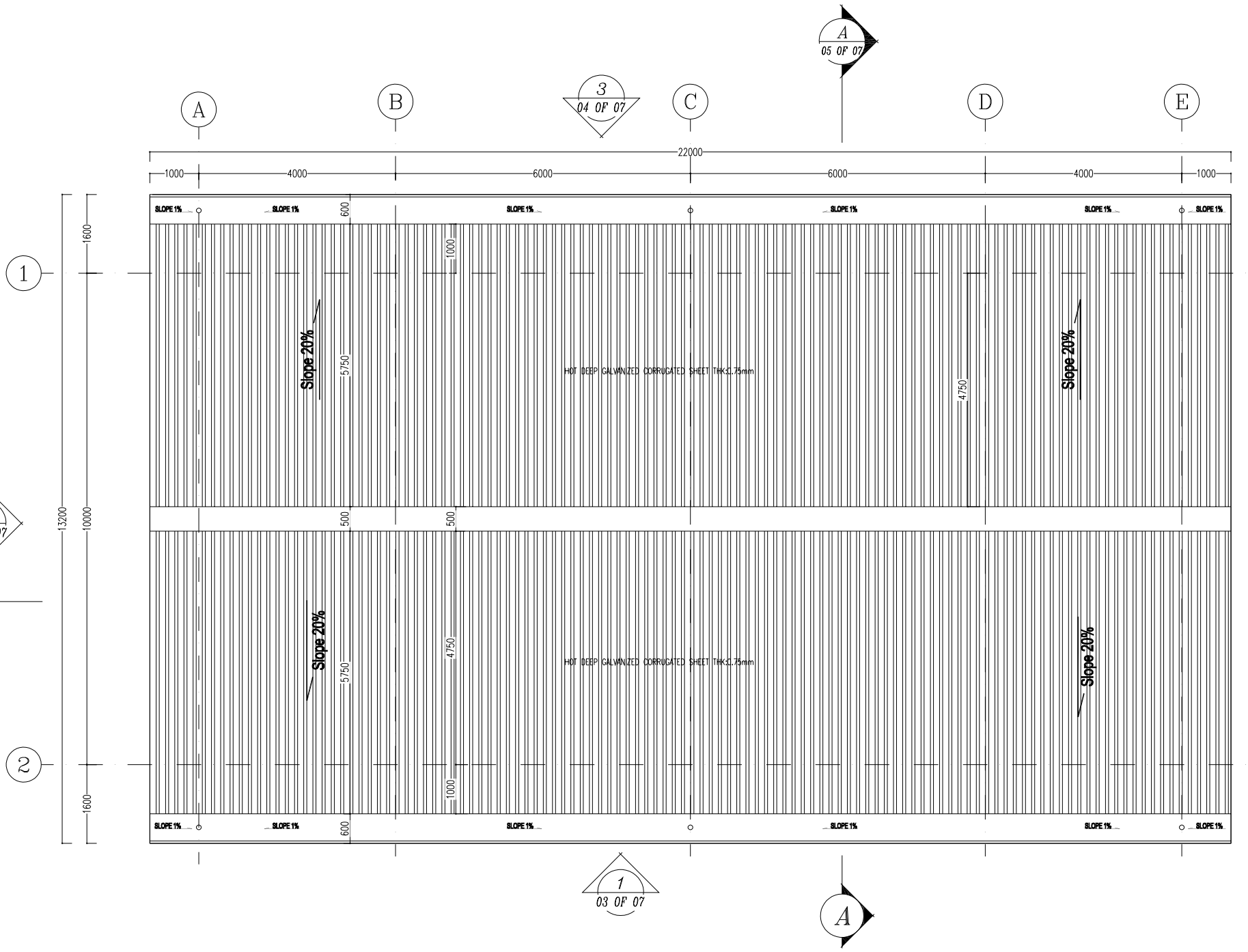
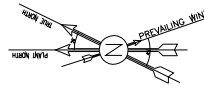
DATE	SCALE	DRAWING BY	CHECKED BY	PROJECT ENG.

NO CONSTRUCTION PERMITTED UNLESS DRAWING APPROVED

APPROVED FOR CONSTRUCTION	BY:	DATE:

SCALE	SIZE	DRAWING NO.	SHEET NO.	REV.	BUDGET REF.	LOCATION	SIZE	CLASS	SERIAL NO.	SHEET	REVISION
AS SHOWN	A1	BK-GS-PEDCO-120-AR-DW-0006	01 OF 07	D03	053-073-9184	F	4	B	709104	01 OF 07	D03

SC.1:50 **1 FLOOR PLAN**



SC.1:50 **2** ROOF PLAN

NOTES

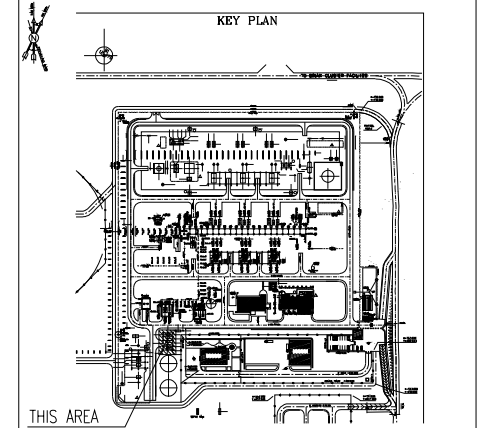
1. ALL DIMENSIONS ARE IN MILLIMETER & ALL ELEVATIONS ARE IN METER.
2. ALL DIMENSIONS AND ELEVATIONS SHALL BE CHECKED BY THE CONTRACTOR PRIOR TO CONSTRUCTION.
3. CONTRACTOR SHALL COMPARE ALL ARCHITECTURAL, MECHANICAL, ELECTRICAL, PIPING AND STRUCTURAL DRAWINGS AND IN CASE OF ANY CONFLICTS OR DISCREPANCY, NOTIFY THE ENGINEER.
4. ALL MATERIALS ARE SELECTED FROM THE HIGHEST QUALITY AND MUST BE APPROVED BY THE CLIENT.
5. ALL OPENINGS FOR PIPING/CABLES AND HVAC OPENINGS SHALL BE CONSIDERED AS PER RELATED DRAWINGS BEFORE CONSTRUCTION.
6. FINISH GRADING LEVEL IS EQUIVALENT TO LOCAL +11.05 GLOBAL (M.S.L.).

LEGEND

HOT DP GALVANIZED THK. = 0.75mm

F.G.L.	FINISH GRADING LEVEL
T.O.F.	TOP OF FOUNDATION
T.O.B.	TOP OF BEAM
B.O.G.	BOTTOM OF GIRT
T.O.PED.	TOP OF PEDESTAL
T.O.S	TOP OF SHELTER
B.O.GU.	BOTTOM OF GUTTER
L.P.L.	LOWEST POINT LEVEL
H.P.L.	HIGHEST POINT LEVEL
B.O.S.	BOTTOM OF SLEEVE
B.O.B.P	BOTTOM OF BASE PLATE

REFERENCE DRAWING	DRG. No.
STANDARD DRAWING FOR ARCHITECTURAL DETAILS	BK-ONRAL-PEDCO-060-AR-DW-0001
WTR SURVEILLANCE SYSTEM LAYOUT & DETAILS	BK-GCS-PEDCO-120-CV-PY-0002
CABLE TRENCH AND DUCT BANK LAYOUT	BK-GCS-PEDCO-120-CV-PY-0002
ROAD PAVING AND PLANT FINISH GRADING LAYOUT & SECTIONS	BK-GCS-PEDCO-120-CV-PY-0005
AREA ELECTRICAL CABLE ROUTE & SECTION LAYOUT	BK-GCS-PEDCO-120-EL-PY-0005
ELECTRICAL CABLE ROUTE & SECTION LAYOUT FOR BUILDING & SHEDS	BK-GCS-PEDCO-120-EL-PY-0006
INSTRUMENT/FAO CABLE TRENCH/ROUTE LAYOUT DRAWING	BK-GCS-PEDCO-120-IN-PY-0004
FOUNDATION DRAWING FOR FIRE WATER PUMP SHELTER	BK-GCS-PEDCO-120-ST-DW-0066
STRUCTURAL DRAWING FOR FIRE WATER PUMP SHELTER	BK-GCS-PEDCO-120-ST-DW-0066
UNIT PLOT PLAN DRAWING	BK-GCS-PEDCO-120-PI-PY-0001



REV.	DATE	DESCRIPTION	BY	DATE	BY	DATE
D03	NOV.2023	IFA	R.BERLOUJE	M.FAKHARIAN	M.MOSESSENI	** **
D02	SEP.2023	IFA	R.BERLOUJE	M.FAKHARIAN	A.M.MOSESSENI	** **
D01	JUL.2023	IFA	R.BERLOUJE	M.FAKHARIAN	A.M.MOSESSENI	** **
D00	OCT.2022	IPC	R.BERLOUJE	M.FAKHARIAN	M.MOSESSENI	** **
REV.	DATE	P.O.I.S	PREP.	CHK.	APP.	AUT.

اسم و کلیه نسخ این نقشه و حق اقتباس متعلق به شرکت ملی نفت غیر مجوز میباشد.

THE ORIGINAL AND ALL COPIES OF THIS DRAWING TOGETHER WITH THE COPYRIGHT THEREIN ARE THE SOLE PROPERTY OF N.I.S.O.C./ FIELDS

PROJECT NAME: BINAK OILFIELD DEVELOPMENT / SURFACE FACILITIES GAS COMPRESSOR STATION

PROJECT NO.: 971020

EPC CONTRACTOR: HIRGAN ENERGY - DESIGN & INSPECTION COMPANIES

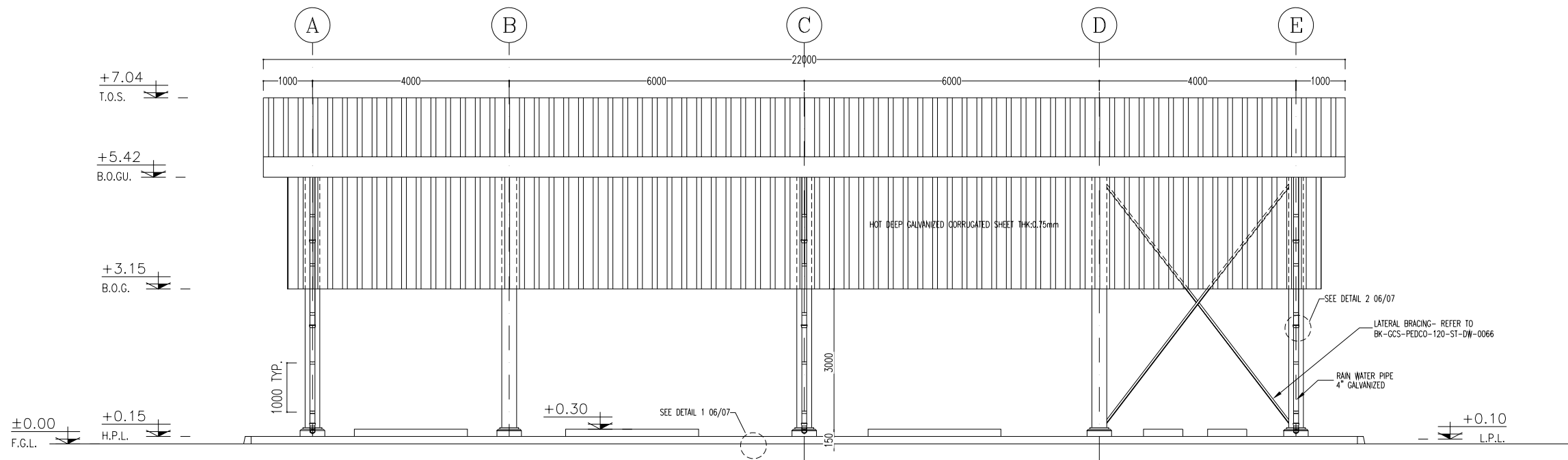
EPD/BPC CONTRACTOR (GC): PETROIRAN DEVELOPMENT COMPANY

DRAWING TITLE: ARCHITECTURAL DRAWING FOR FIRE WATER PUMPS SHELTER

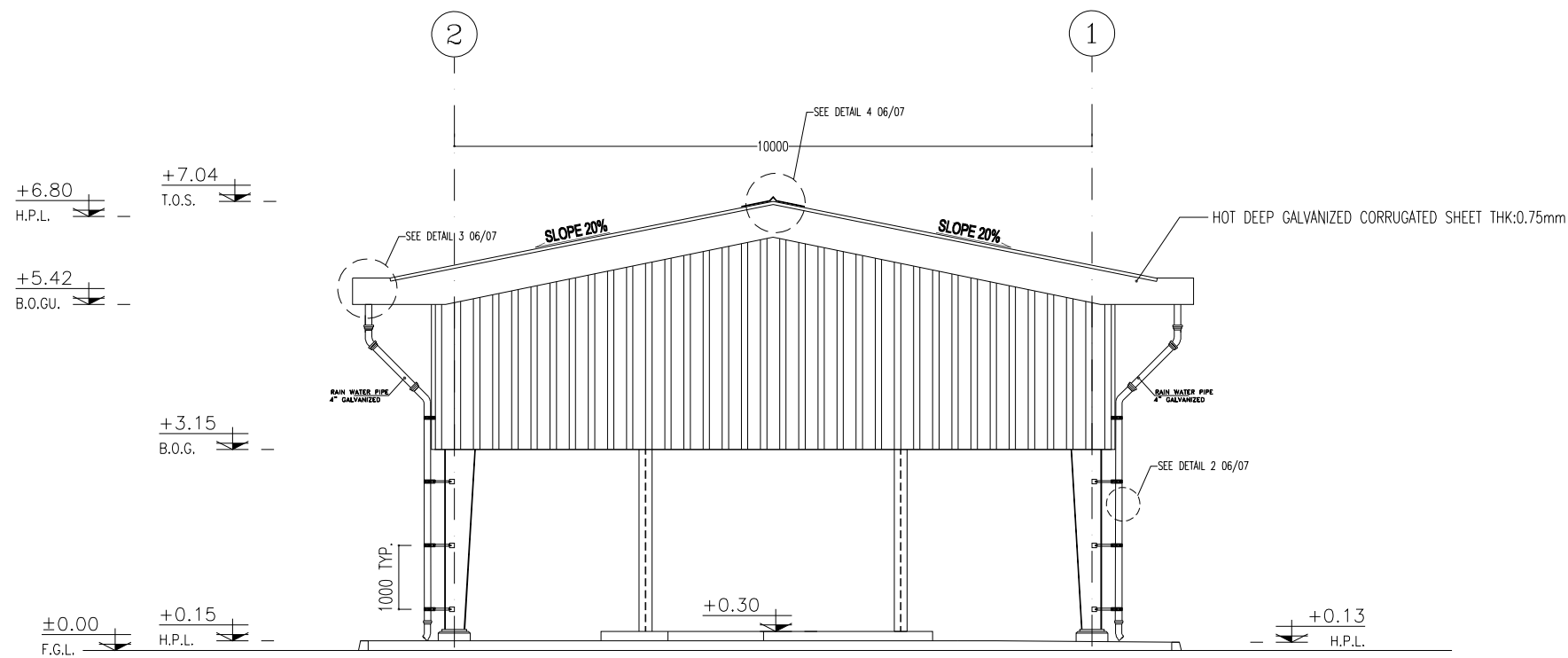
DATE	SCALE	DRAWING BY	CHECKED BY	PROJECT ENG.

NO CONSTRUCTION PERMITTED UNLESS DRAWING APPROVED

SCALE	SIZE	DRAWING NO.	SHEET NO.	REV.	BUDGET REF.	LOCATION	SIZE	CLASS	SERIAL NO.	SHEET	REVISION
AS SHOWN	A1	BK-GCS-PEDCO-120-AR-DW-0006	02 OF 07	D03	063-073-9184	F	4	B	709104	02 OF 07	D03



SC.1:50 1 ELEVATION
01 OF 05



SC.1:50 2 ELEVATION
01 OF 05

NOTES

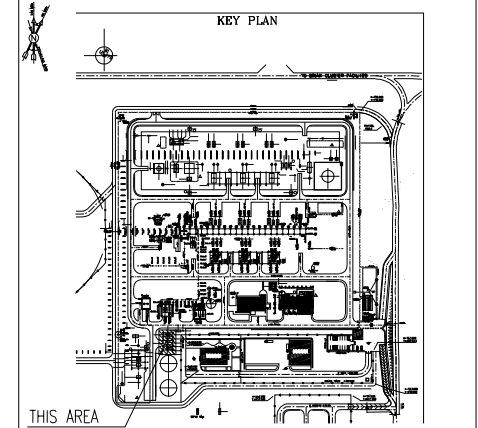
1. ALL DIMENSIONS ARE IN MILLIMETER & ALL ELEVATIONS ARE IN METER.
2. ALL DIMENSIONS AND ELEVATIONS SHALL BE CHECKED BY THE CONTRACTOR PRIOR TO CONSTRUCTION.
3. CONTRACTOR SHALL COMPARE ALL ARCHITECTURAL, MECHANICAL, ELECTRICAL, PIPING AND STRUCTURAL DRAWINGS AND IN CASE OF ANY CONFLICTS OR DISCREPANCY, INFORM THE ENGINEER.
4. ALL MATERIALS ARE SELECTED FROM THE HIGHEST QUALITY AND MUST BE APPROVED BY THE CLIENT.
5. ALL OPENINGS FOR PIPING/CABLING AND HVAC OPENINGS SHALL BE CONSIDERED AS PER RELATED DRAWINGS BEFORE CONSTRUCTION.
6. FINISH GRADING LEVEL IS EQUIVALENT=±0.00 LOCAL=+11.05 GLOBAL(M.S.L.)

LEGEND

HOT DP GALVANIZED THK. = 0.75mm

F.G.L.	FINISH GRADING LEVEL
T.O.F.	TOP OF FOUNDATION
T.O.B.	TOP OF BEAM
B.O.G.	BOTTOM OF GIRT
T.O.PED.	TOP OF PEDESTAL
T.O.S.	TOP OF SHELTER
B.O.G.U.	BOTTOM OF GUTTER
L.P.L.	LOWEST POINT LEVEL
H.P.L.	HIGHEST POINT LEVEL
B.O.B.P	BOTTOM OF BASE PLATE

REFERENCE DRAWING	DRG. No.
STANDARD DRAWING FOR ARCHITECTURAL DETAILS	BK-GNRL-PEDCO-000-AR-DW-0001
PIPE SCHEDULES SYSTEM LAYOUT & DETAILS	BK-GCS-PEDCO-120-CV-PY-0001
CABLE TRENCH AND DUCT BANK LAYOUT	BK-GCS-PEDCO-120-CV-PY-0002
ROAD PAVING AND PLANT FINISH GRADING LAYOUT & SECTIONS	BK-GCS-PEDCO-120-CV-PY-0005
AREA ELECTRICAL CABLE ROUTE & SECTION LAYOUT	BK-GCS-PEDCO-120-EL-PY-0005
ELECTRICAL CABLE ROUTE & SECTION LAYOUT FOR BUILDING & SHED	BK-GCS-PEDCO-120-EL-PY-0006
INSTRUMENT/PIG CABLE TRENCH/ROUTE LAYOUT DRAWING	BK-GCS-PEDCO-120-IN-PY-0004
FOUNDATION DRAWING FOR FIRE WATER PUMP SHELTER	BK-GCS-PEDCO-120-ST-DW-0066
STRUCTURAL DRAWING FOR FIRE WATER PUMP SHELTER	BK-GCS-PEDCO-120-ST-DW-0066
UNIT PLOT PLAN DRAWING	BK-GCS-PEDCO-120-PI-PY-0001



REV.	DATE	DESCRIPTION	BY	DATE	BY	DATE
D03	NOV.2023	IFA	R.BERLOUJE	M.FAKHARIAN	A.M.MOSESSENI	** **
D02	SEP.2023	IFA	R.BERLOUJE	M.FAKHARIAN	A.M.MOSESSENI	** **
D01	JUL.2023	IFA	R.BERLOUJE	M.FAKHARIAN	A.M.MOSESSENI	** **
D00	OCT.2022	IPC	R.BERLOUJE	M.FAKHARIAN	M.MEHRSHAD	** **
REV.	DATE	P.O.I.S	PREP.	CHK.	APP.	AUT.

PROJECT NAME: BINAK OILFIELD DEVELOPMENT/SURFACE FACILITIES GAS COMPRESSOR STATION

PROJECT NO.: 971020

EPC CONTRACTOR: HIRGAN ENERGY - DESIGN & INSPECTION COMPANIES

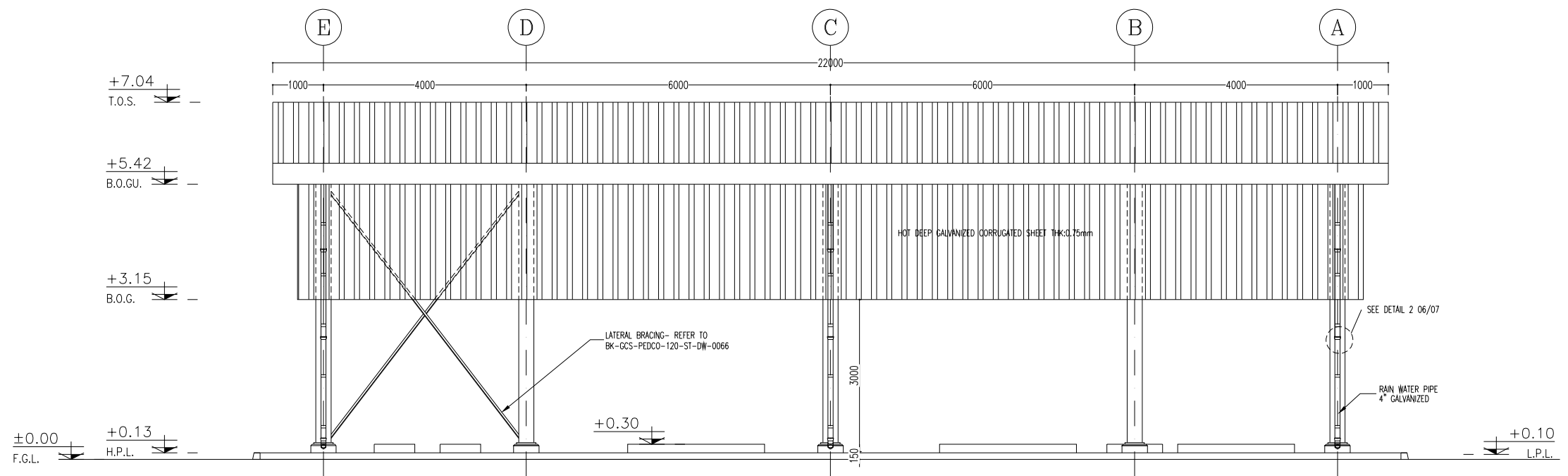
EPD/BPC CONTRACTOR (GC): PETROIRAN DEVELOPMENT COMPANY

DRAWING TITLE: ARCHITECTURAL DRAWING FOR FIRE WATER PUMPS SHELTER

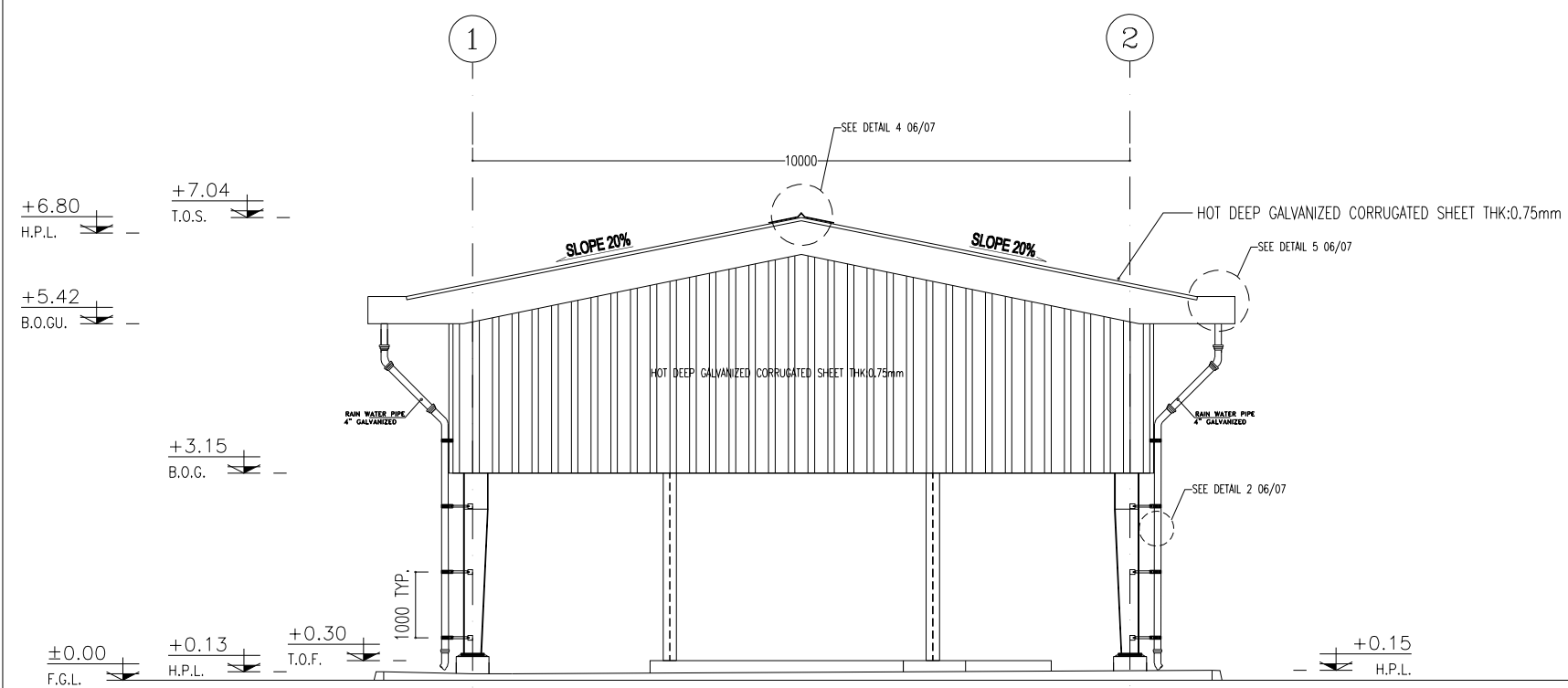
NO CONSTRUCTION PERMITTED UNLESS DRAWING APPROVED

APPROVED FOR CONSTRUCTION BY: DATE:

SCALE	SIZE	DRAWING NO.	SHEET NO.	REV.	BUDGET REF.	LOCATION	SIZE	CLASS	SERIAL NO.	SHEET	REVISION
AS SHOWN	A1	BK-GCS-PEDCO-120-AR-DW-0006	03 OF 07	D03	063-073-9184	F	4	B	709104	03 OF 07	D03



3 ELEVATION
SC.1:50 01 OF 05



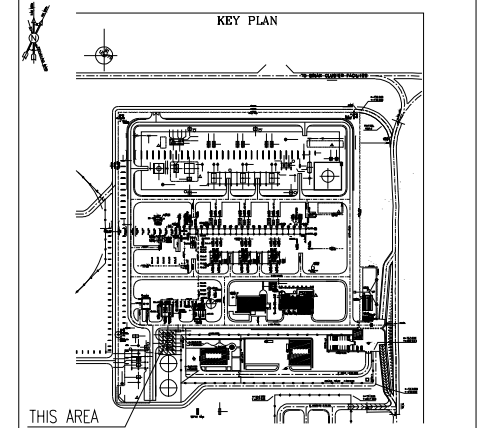
4 ELEVATION
SC.1:50 01 OF 05

- NOTES
1. ALL DIMENSIONS ARE IN MILLIMETER & ALL ELEVATIONS ARE IN METER.
 2. ALL DIMENSIONS AND ELEVATIONS SHALL BE CHECKED BY THE CONTRACTOR PRIOR TO CONSTRUCTION.
 3. CONTRACTOR SHALL COMPARE ALL ARCHITECTURAL, MECHANICAL, ELECTRICAL, PIPING AND STRUCTURAL DRAWINGS AND IN CASE OF ANY CONFLICTS OR DISCREPANCY, INFORM THE ENGINEER.
 4. ALL MATERIALS ARE SELECTED FROM THE HIGHEST QUALITY AND MUST BE APPROVED BY THE CLIENT.
 5. ALL OPENINGS FOR PIPING/CABLING AND HVAC OPENINGS SHALL BE CONSIDERED AS PER RELATED DRAWINGS BEFORE CONSTRUCTION.
 6. FINISH GRADING LEVEL IS EQUIVALENT=±0.00 LOCAL=+1.05 GLOBAL(M.S.L.)

- LEGEND
- HOT DP GALVANIZED THK. = 0.75mm
- | | |
|----------|----------------------|
| F.G.L. | FINISH GRADING LEVEL |
| T.O.F. | TOP OF FOUNDATION |
| T.O.B. | TOP OF BEAM |
| B.O.G. | BOTTOM OF GIRT |
| T.O.PED. | TOP OF PEDESTAL |
| T.O.S. | TOP OF SHELTER |
| B.O.G.U. | BOTTOM OF GUTTER |
| L.P.L. | LOWEST POINT LEVEL |
| H.P.L. | HIGHEST POINT LEVEL |
| B.O.S. | BOTTOM OF SLEEVE |

- B.O.B.P. BOTTOM OF BASE PLATE

REFERENCE DRAWING	DRG. No.
STANDARD DRAWING FOR ARCHITECTURAL DETAILS	BK-GNRL-PEDCO-000-AR-DW-0001
PIPE SURVIVALS SYSTEM LAYOUT & DETAILS	BK-GCS-PEDCO-120-CV-PY-0001
CABLE TRENCH AND DUCT BANK LAYOUT	BK-GCS-PEDCO-120-CV-PY-0002
ROAD, PAVING AND PLANT FINISH GRADING LAYOUT & SECTIONS	BK-GCS-PEDCO-120-CV-PY-0005
AREA ELECTRICAL CABLE ROUTE & SECTION LAYOUT	BK-GCS-PEDCO-120-EL-PY-0005
ELECTRICAL CABLE ROUTE & SECTION LAYOUT FOR BUILDING & SHEDS	BK-GCS-PEDCO-120-EL-PY-0006
INSTRUMENT/FAO CABLE TRENCH/ROUTE LAYOUT DRAWING	BK-GCS-PEDCO-120-IN-PY-0004
FOUNDATION DRAWING FOR FIRE WATER PUMP SHELTER	BK-GCS-PEDCO-120-ST-DW-0066
STRUCTURAL DRAWING FOR FIRE WATER PUMP SHELTER	BK-GCS-PEDCO-120-ST-DW-0066
UNIT PLOT PLAN DRAWING	BK-GCS-PEDCO-120-PI-PY-0001



REV.	DATE	DESCRIPTION	BY	DATE	CHECKED	BY	DATE	APPR.
D03	NOV.2023	IFA	R.BERLOUJE	M.FAKHARIAN	A.M.MOJSESI	** **		
D02	SEP.2023	IFA	R.BERLOUJE	M.FAKHARIAN	A.M.MOJSESI	** **		
D01	JUL.2023	IFA	R.BERLOUJE	M.FAKHARIAN	A.M.MOJSESI	** **		
D00	OCT.2022	IPC	R.BERLOUJE	M.FAKHARIAN	M.MEHRSHAD	** **		
REV.	DATE	P.O.I.S	PREP.	CHK.	APP.	AUT.		

اصل و کلیه نسخ این نقشه و حق اقتباس متعلق به شرکت ملی مناطق نفت خیز جنوب میباشد.
THE ORIGINAL AND ALL COPIES OF THIS DRAWING TOGETHER WITH THE COPYRIGHT THEREIN ARE THE SOLE PROPERTY OF N.I.S.O.C./ FIELDS

PROJECT NAME: BINAK OILFIELD DEVELOPMENT/SURFACE FACILITIES GAS COMPRESSOR STATION

PROJECT NO.: 971020

EPC CONTRACTOR: HIRGAN ENERGY - DESIGN & INSPECTION COMPANIES

EPD/BPC CONTRACTOR (GC): PETROIRAN DEVELOPMENT COMPANY

DRAWING TITLE: ARCHITECTURAL DRAWING FOR FIRE WATER PUMPS SHELTER

DATE	SCALE	DRAWING BY	CHECKED BY	PROJECT ENG.

NO CONSTRUCTION PERMITTED UNLESS DRAWING APPROVED

APPROVED FOR CONSTRUCTION BY: DATE:

SCALE	SIZE	DRAWING NO.	SHEET NO.	REV.	BUDGET REF.	LOCATION	SIZE	CLASS	SERIAL NO.	SHEET	REVISION
AS SHOWN	A1	BK-GCS-PEDCO-120-AR-DW-0006	04 OF 07	D03	063-073-9184	F	4	B	709104	04 OF 07	D03

NOTES

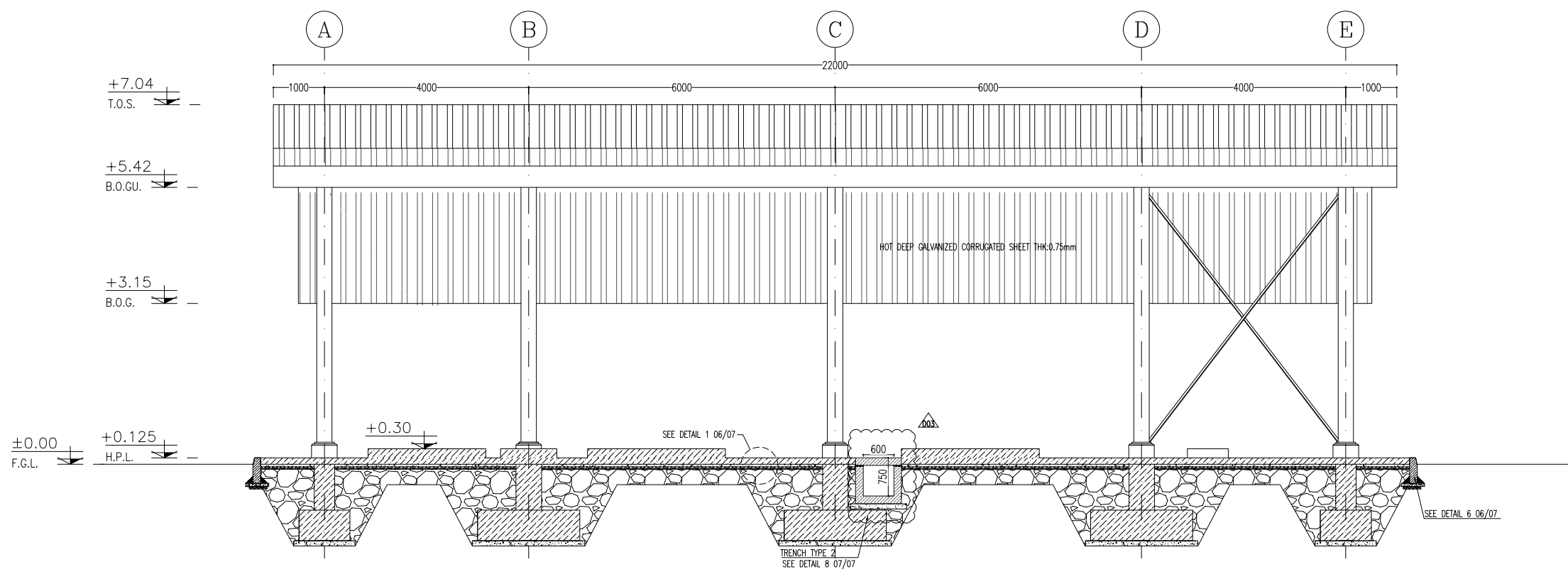
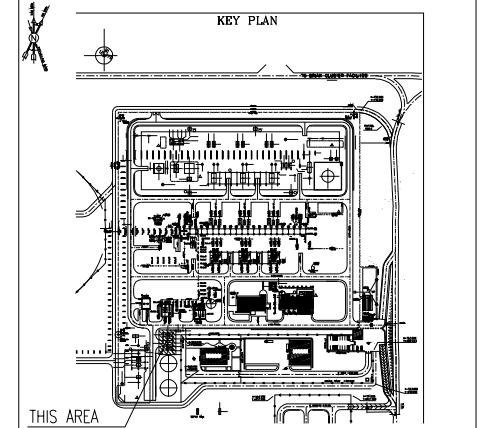
1. ALL DIMENSIONS ARE IN MILLIMETER & ALL ELEVATIONS ARE IN METER.
2. ALL DIMENSIONS AND ELEVATIONS SHALL BE CHECKED BY THE CONTRACTOR PRIOR TO CONSTRUCTION.
3. CONTRACTOR SHALL COMPARE ALL ARCHITECTURAL, MECHANICAL, ELECTRICAL, PIPING AND STRUCTURAL DRAWINGS AND IN CASE OF ANY CONFLICTS OR DISCREPANCY, INFORM THE ENGINEER.
4. ALL MATERIALS ARE SELECTED FROM THE HIGHEST QUALITY AND MUST BE APPROVED BY THE CLIENT.
5. ALL OPENINGS FOR PIPING/CABLEING AND HVAC OPENINGS SHALL BE CONSIDERED AS PER RELATED DRAWINGS BEFORE CONSTRUCTION.
6. FINISH GRADING LEVEL IS EQUIVALENT TO LOCAL +11.00 GLOBAL (M.S.L.).

LEGEND

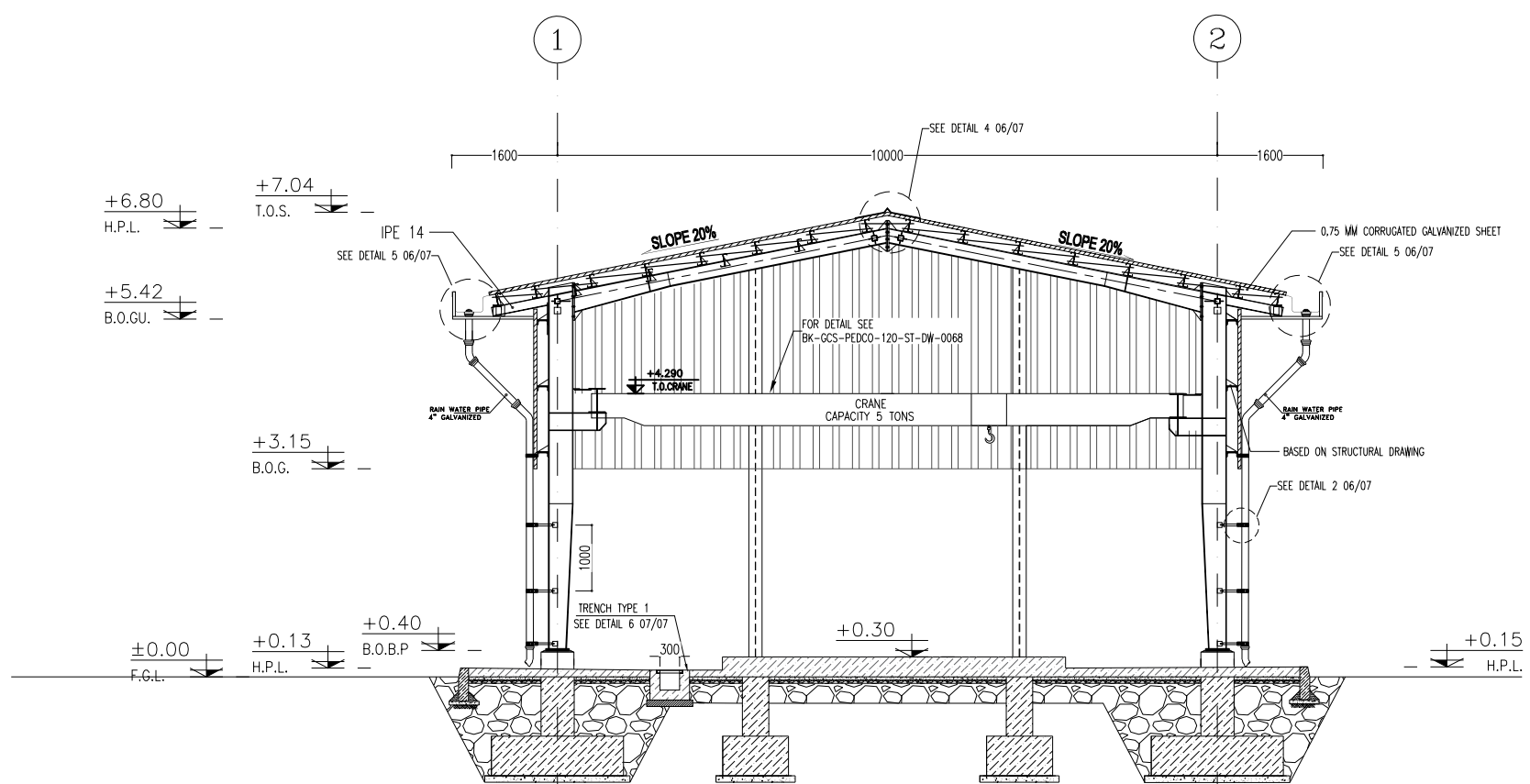
HOT DP GALVANIZED THK. = 0.75mm	
REINFORCED CONCRETE	
BLOCKAGE	
PRESSED BRICK	
LEAN CONCRETE	

F.G.L.	FINISH GRADING LEVEL
T.O.F.	TOP OF FOUNDATION
T.O.B.	TOP OF BEAM
B.O.G.	BOTTOM OF GIRT
T.O.PED.	TOP OF PEDESTAL
T.O.S	TOP OF SHELTER
B.O.GU.	BOTTOM OF GUTTER
L.P.L.	LOWEST POINT LEVEL
H.P.L.	HIGHEST POINT LEVEL
B.O.S.	BOTTOM OF SLEEVE
B.O.B.P	BOTTOM OF BASE PLATE
T.O.CRANE.	TOP OF CRANE

REFERENCE DRAWING	DRG. No.
STANDARD DRAWING FOR ARCHITECTURAL DETAILS	BK-ONRAL-PEDCO-000-AR-DW-0001
WTR SHOWERAGE SYSTEM LAYOUT & DETAILS	BK-GCS-PEDCO-120-CV-PY-0001
CABLE TRENCH AND DUCT BANK LAYOUT	BK-GCS-PEDCO-120-CV-PY-0002
ROAD, PAVING AND PLANT FINISH GRADING LAYOUT & SECTIONS	BK-GCS-PEDCO-120-CV-PY-0005
AREA ELECTRICAL CABLE ROUTE & SECTION LAYOUT	BK-GCS-PEDCO-120-EL-PY-0005
ELECTRICAL CABLE ROUTE & SECTION LAYOUT FOR BUILDING & SHED	BK-GCS-PEDCO-120-EL-PY-0006
INSTRUMENT/FAO CABLE TRENCH/ROUTE LAYOUT DRAWING	BK-GCS-PEDCO-120-IN-PY-0004
FOUNDATION DRAWING FOR FIRE WATER PUMP SHELTER	BK-GCS-PEDCO-120-ST-DW-0066
STRUCTURAL DRAWING FOR FIRE WATER PUMP SHELTER	BK-GCS-PEDCO-120-ST-DW-0066
UNIT PLOT PLAN DRAWING	BK-GCS-PEDCO-120-PI-PY-0001



SECTION B
SC.1:50 01 OF 05



SECTION A
SC.1:50 01 OF 05

REV.	DATE	DESCRIPTION	BY	DATE	BY	DATE
D03	NOV.2023	IFA	R.BERLOUE	M.FAKHARIAN	M.MOHSENI	** **
D02	SEP.2023	IFA	R.BERLOUE	M.FAKHARIAN	A.M.MOHSENI	** **
D01	JUL.2023	IFA	R.BERLOUE	M.FAKHARIAN	A.M.MOHSENI	** **
D00	OCT.2022	IPC	R.BERLOUE	M.FAKHARIAN	M.MOHSENI	** **
REV.	DATE	P.O.I.S	PREP.	CHK.	APP.	AUT.

PROJECT NAME: BINAK OILFIELD DEVELOPMENT / SURFACE FACILITIES GAS COMPRESSOR STATION

PROJECT NO.: 971020

EPC CONTRACTOR: HIRGAN ENERGY - DESIGN & INSPECTION COMPANIES

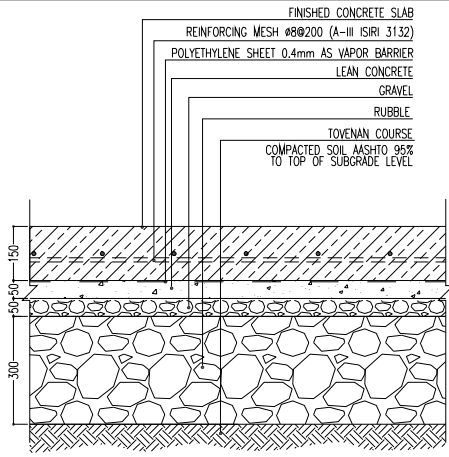
EPD/BPC CONTRACTOR (GC): PETROIRAN DEVELOPMENT COMPANY

DRAWING TITLE: ARCHITECTURAL DRAWING FOR FIRE WATER PUMPS SHELTER

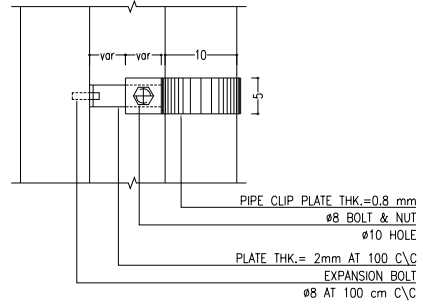
NO CONSTRUCTION PERMITTED UNLESS DRAWING APPROVED

APPROVED FOR CONSTRUCTION BY: DATE:

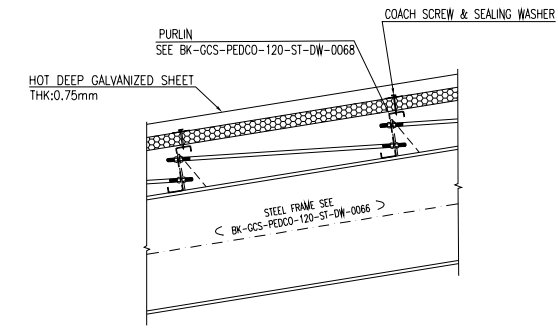
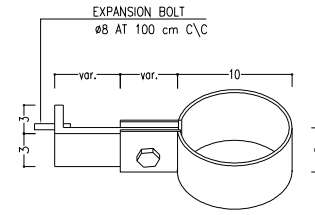
SCALE	SIZE	DRAWING NO.	SHEET NO.	REV.	BUDGET REF.	LOCATION	SIZE	CLASS	SERIAL NO.	SHEET	REVISION
AS SHOWN	A1	BK-GCS-PEDCO-120-AR-DW-0006	06 OF 07	D03	063-073-9184	F	4	B	709104	06 OF 07	D03



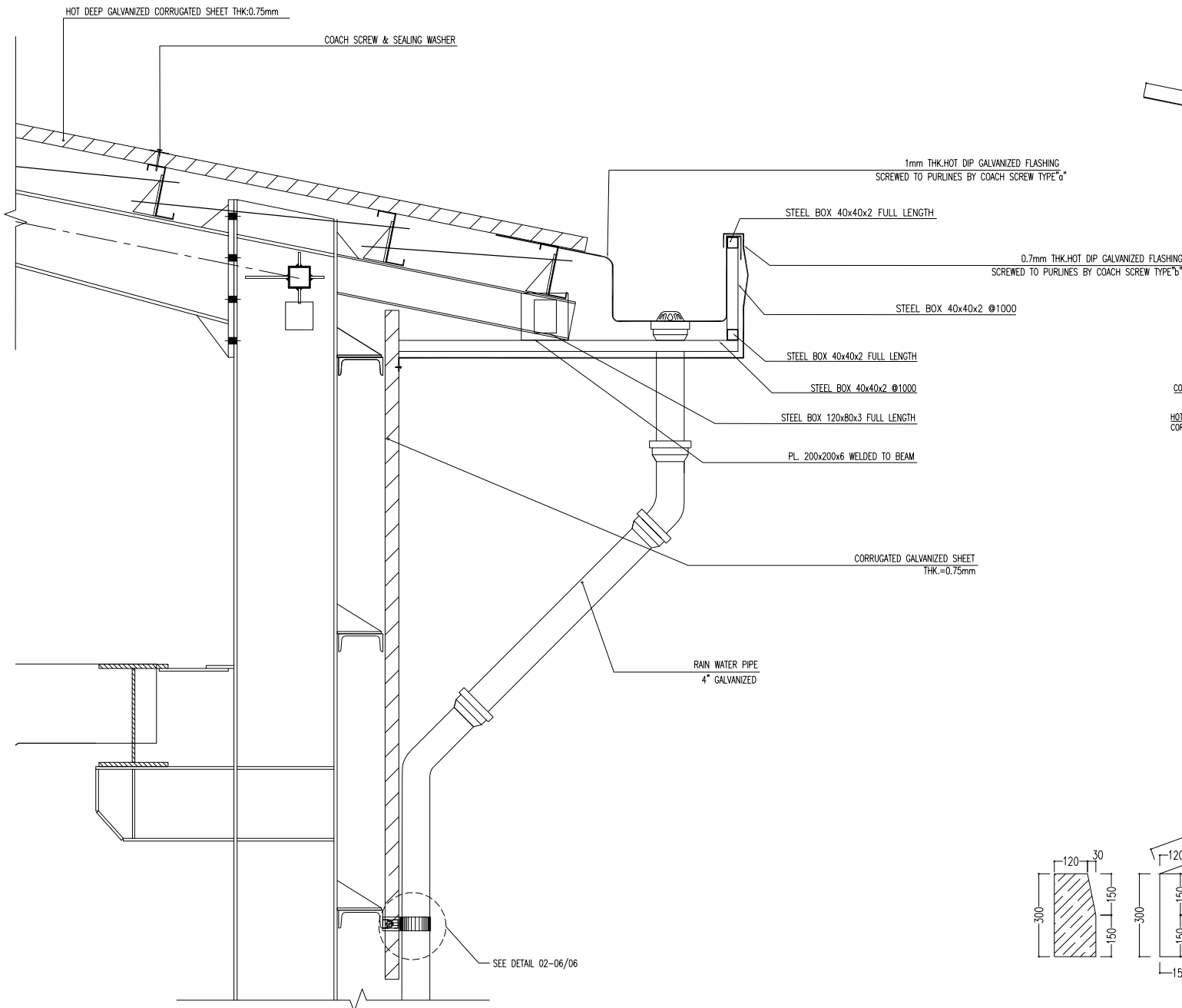
1 **DETAIL**
SC.1:10



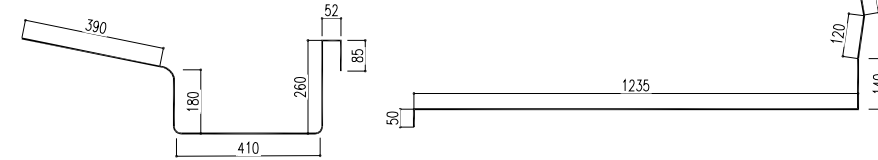
2 **DETAIL**
SC.N.T.S



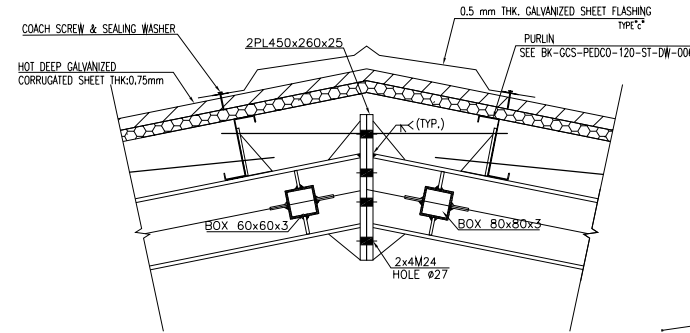
3 **DETAIL**
SC.1:10



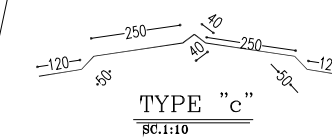
5 **DETAIL**
SC.1:10



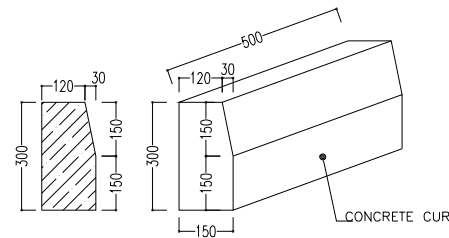
TYPE "a" **TYPE "b"**



4 **DETAIL**
SC.1:10



TYPE "c"
SC.1:10



6 **DETAIL**
SC.1:10

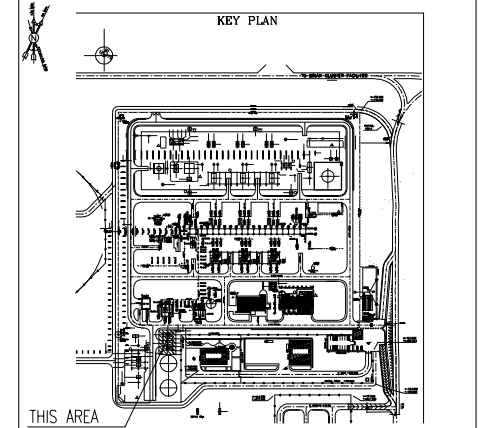
NOTES
1. ALL DIMENSIONS ARE IN MILLIMETER & ALL ELEVATIONS ARE IN METER.
2. ALL DIMENSIONS AND ELEVATIONS SHALL BE CHECKED BY THE CONTRACTOR PRIOR TO CONSTRUCTION.
3. CONTRACTOR SHALL COMPLY ALL ARCHITECTURAL, MECHANICAL, ELECTRICAL, PIPING AND STRUCTURAL DRAWINGS AND IN CASE OF ANY CONFLICTS OR DISCREPANCY, INFORM THE ENGINEER.
4. ALL MATERIALS ARE SELECTED FROM THE HIGHEST QUALITY AND MUST BE APPROVED BY THE CLIENT.
5. ALL OPENINGS FOR PIPING/CABLEING AND HVAC OPENINGS SHALL BE CONSIDERED AS PER RELATED DRAWINGS BEFORE CONSTRUCTION.
6. FINISH GRADING LEVEL IS EQUIVALENT=+0.00 LOCAL=+11.05 GLOBAL(M.S.L.)

LEGEND

HOT DP GALVANIZED THK. = 0.75mm	
REINFORCED CONCRETE	
BLOCKAGE	
PRESSED BRICK	
LEAN CONCRETE	

F.G.L.	FINISH GRADING LEVEL
T.O.F.	TOP OF FOUNDATION
T.O.B.	TOP OF BEAM
B.O.G.	BOTTOM OF GIRT
T.O.PED.	TOP OF PEDESTAL
T.O.S.	TOP OF SHELTER
B.O.GU.	BOTTOM OF GUTTER
L.P.L.	LOWEST POINT LEVEL
H.P.L.	HIGHEST POINT LEVEL
B.O.S.	BOTTOM OF SLEEVE
B.O.B.P	BOTTOM OF BASE PLATE

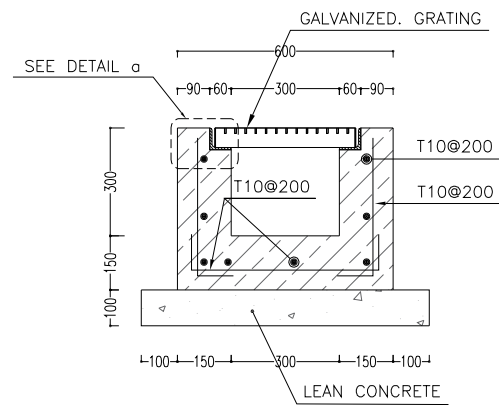
REFERENCE DRAWING	DRG. No.
STANDARD DRAWING FOR ARCHITECTURAL DETAILS	BK-GNRL-PEDCO-000-AR-DW-0001
PIPE SERVICES SYSTEM LAYOUT & DETAILS	BK-GCS-PEDCO-120-CV-PY-0001
CABLE TRENCH AND DUCT BANK LAYOUT	BK-GCS-PEDCO-120-CV-PY-0002
ROAD, PAVING AND PLANT FINISH GRADING LAYOUT & SECTIONS	BK-GCS-PEDCO-120-CV-PY-0005
AREA ELECTRICAL CABLE ROUTE & SECTION LAYOUT	BK-GCS-PEDCO-120-EL-PY-0005
ELECTRICAL CABLE ROUTE & SECTION LAYOUT FOR BUILDING & SHED	BK-GCS-PEDCO-120-EL-PY-0006
INSTRUMENT/PIG CABLE TRENCH/ROUTE LAYOUT DRAWING	BK-GCS-PEDCO-120-IN-PY-0004
FOUNDATION DRAWING FOR FIRE WATER PUMP SHELTER	BK-GCS-PEDCO-120-ST-DW-0066
STRUCTURAL DRAWING FOR FIRE WATER PUMP SHELTER	BK-GCS-PEDCO-120-ST-DW-0066
UNIT PLOT PLAN DRAWING	BK-GCS-PEDCO-120-PI-PY-0001



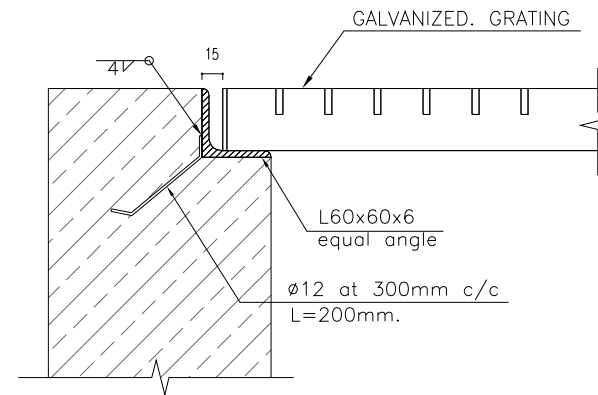
REV.	DATE	DESCRIPTION	BY	DATE	BY	DATE
D03	NOV.2023	IFA	R.BERLOUE	M.FAKHARIAN	M.MOHSENI	** **
D02	SEP.2023	IFA	R.BERLOUE	M.FAKHARIAN	A.M.MOHSENI	** **
D01	JUL.2023	IFA	R.BERLOUE	M.FAKHARIAN	A.M.MOHSENI	** **
D00	OCT.2022	IFC	R.BERLOUE	M.FAKHARIAN	M.MOHSENI	** **
REV.	DATE	P.O.I.S	PREP.	CHK.	APP.	AUT.

اسم و کلیه نسخ این نقشه و حق اقتباس متعلق به شرکت ملی مناطق نفت خیز جنوب میباشد.
THE ORIGINAL AND ALL COPIES OF THIS DRAWING TOGETHER WITH THE COPYRIGHT THEREIN ARE THE SOLE PROPERTY OF N.I.S.O.C./ FIELDS

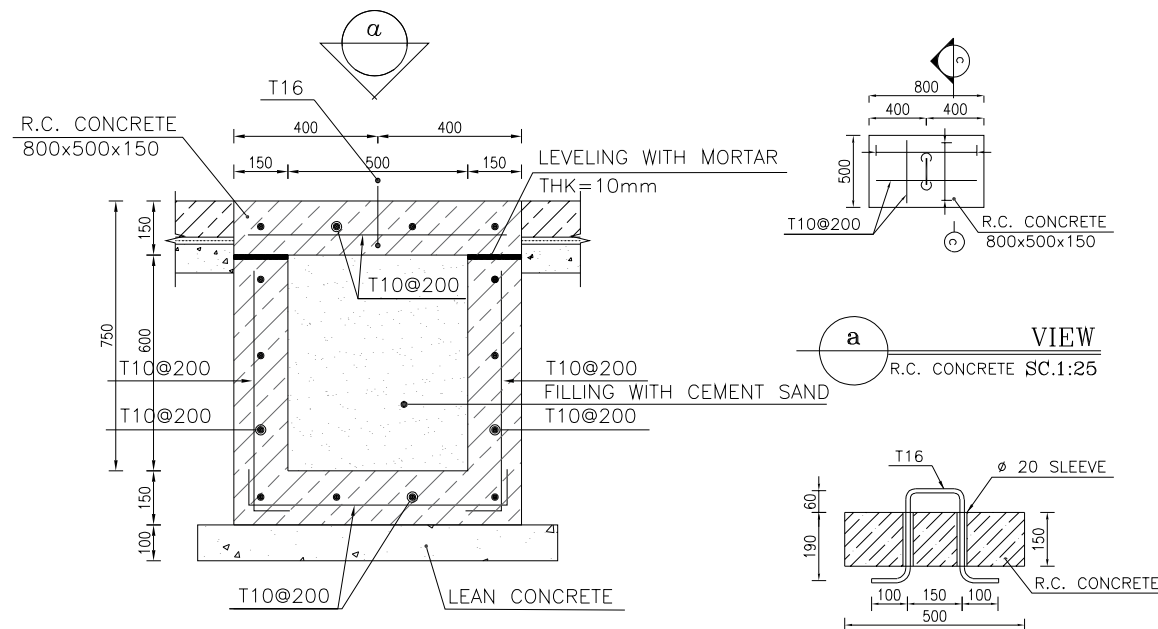
PROJECT NO.:	971020										
EPC CONTRACTOR:	HIRGAN ENERGY - DESIGN & INSPECTION COMPANIES										
EPD/BPC CONTRACTOR (GC):	PETROIRAN DEVELOPMENT COMPANY										
DRAWING TITLE:	ARCHITECTURAL DRAWING FOR FIRE WATER PUMPS SHELTER										
DATE	SCALE	DRAWING BY	CHECKED BY	PROJECT ENG.							
NO CONSTRUCTION PERMITTED UNLESS DRAWING APPROVED											
APPROVED FOR CONSTRUCTION			BY:	DATE:							
SCALE	SIZE	DRAWING NO.	SHEET NO.	REV.	BUDGET REF.	LOCATION	SIZE	CLASS	SERIAL NO.	SHEET	REVISION
AS SHOWN	A1	BK-GCS-PEDCO-120-AR-DW-0006	06 OF 07	D03	063-073-9184	F	4	B	709104	06 OF 07	D03



6 TRENCH DETAIL TYPE 1
SC.1:10

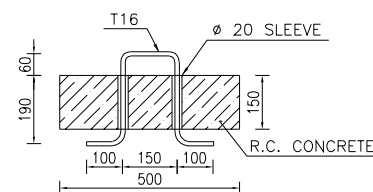


6 TRENCH DETAIL TYPE 1
SC.N.T.S.



7 TRENCH DETAIL TYPE 2
SC.1:10

a VIEW
R.C. CONCRETE SC.1:25



c SECTION
SC.1:10

NOTES

1. ALL DIMENSIONS ARE IN MILLIMETER & ALL ELEVATIONS ARE IN METER.
2. ALL DIMENSIONS AND ELEVATIONS SHALL BE CHECKED BY THE CONTRACTOR PRIOR TO CONSTRUCTION.
3. CONTRACTOR SHALL COMPARE ALL ARCHITECTURAL, MECHANICAL, ELECTRICAL, PIPING AND STRUCTURAL DRAWINGS AND IN CASE OF ANY CONFLICTS OR DISCREPANCY, INFORM THE ENGINEER.
4. ALL MATERIALS ARE SELECTED FROM THE HIGHEST QUALITY AND MUST BE APPROVED BY THE CLIENT.
5. ALL OPENINGS FOR PIPING/CABLING AND HVAC OPENINGS SHALL BE CONSIDERED AS PER RELATED DRAWINGS BEFORE CONSTRUCTION.
6. FINISH GRADING LEVEL IS EQUIVALENT=±0.00 LOCAL=+11.05 GLOBAL(M.S.L.)

LEGEND

HOT DP GALVANIZED THK. = 0.75mm

REINFORCED CONCRETE

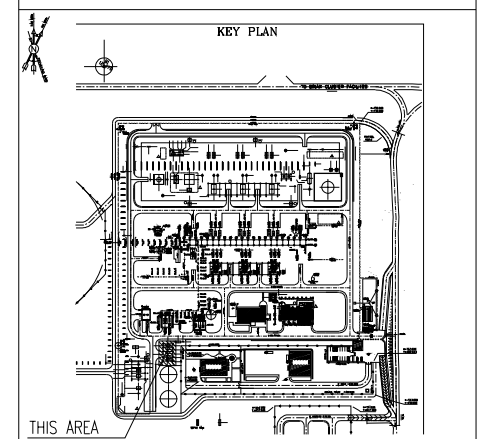
BLOCKAGE

PRESSED BRICK

LEAN CONCRETE

F.G.L. FINISH GRADING LEVEL
T.O.F. TOP OF FOUNDATION
T.O.B. TOP OF BEAM
B.O.G. BOTTOM OF GIRT
T.O.PED. TOP OF PEDESTAL
T.O.S. TOP OF SHELTER
B.O.GU. BOTTOM OF GUTTER
L.P.L. LOWEST POINT LEVEL
H.P.L. HIGHEST POINT LEVEL
B.O.S. BOTTOM OF SLEEVE
B.O.B.P. BOTTOM OF BASE PLATE

REFERENCE DRAWING	DRG. No.
STANDARD DRAWING FOR ARCHITECTURAL DETAILS	BK-GNRL-PEDCO-000-AR-DW-0001
PIPE SERRAVALS SYSTEM LAYOUT & DETAILS	BK-GCS-PEDCO-120-CV-PY-0001
CABLE TRENCH AND DUCT BANK LAYOUT	BK-GCS-PEDCO-120-CV-PY-0002
ROAD, PAVING AND PLANT FINISH GRADING LAYOUT & SECTIONS	BK-GCS-PEDCO-120-CV-PY-0005
AREA ELECTRICAL CABLE ROUTE & SECTION LAYOUT	BK-GCS-PEDCO-120-EL-PY-0005
ELECTRICAL CABLE ROUTE & SECTION LAYOUT FOR BUILDING & SHED	BK-GCS-PEDCO-120-EL-PY-0006
INSTRUMENT/FAO CABLE TRENCH/ROUTE LAYOUT DRAWING	BK-GCS-PEDCO-120-IN-PY-0004
FOUNDATION DRAWING FOR FIRE WATER PUMP SHELTER	BK-GCS-PEDCO-120-ST-DW-0066
STRUCTURAL DRAWING FOR FIRE WATER PUMP SHELTER	BK-GCS-PEDCO-120-ST-DW-0066
UNIT PLOT PLAN DRAWING	BK-GCS-PEDCO-120-PI-PY-0001



REV.	DATE	DESCRIPTION	BY	DATE	CHECKED	BY	DATE	APPR.
D03	NOV.2023	IFA	R.BERLOUE	M.FAKHARIAN	M.MOSESSENI	** **		
D02	SEP.2023	IFA	R.BERLOUE	M.FAKHARIAN	M.MOSESSENI	** **		
D01	JUL.2023	IFA	R.BERLOUE	M.FAKHARIAN	M.MOSESSENI	** **		
D00	OCT.2022	IPC	R.BERLOUE	M.FAKHARIAN	M.MOSESSENI	** **		
REV.	DATE	P.O.I.S	PREP.	CHK.	APP.	AUT.		

اصل و کلیه نسخ این نقشه و حق اقتباس متعلق به شرکت ملی نفت خیز جنوب میباشد.

THE ORIGINAL AND ALL COPIES OF THIS DRAWING TOGETHER WITH THE COPYRIGHT THEREIN ARE THE SOLE PROPERTY OF N.I.S.O.C./ FIELDS

PROJECT NAME: BINAK OILFIELD DEVELOPMENT/SURFACE FACILITIES GAS COMPRESSOR STATION

PROJECT NO.: 971020

EPC CONTRACTOR: HIRGAN ENERGY - DESIGN & INSPECTION COMPANIES

EPD/BPC CONTRACTOR (GC): PETROIRAN DEVELOPMENT COMPANY

DRAWING TITLE: ARCHITECTURAL DRAWING FOR FIRE WATER PUMPS SHELTER

NO CONSTRUCTION PERMITTED UNLESS DRAWING APPROVED

APPROVED FOR CONSTRUCTION BY: DATE:

SCALE	SIZE	DRAWING NO.	SHEET NO.	REV.	BUDGET REF.	LOCATION	SIZE	CLASS	SERIAL NO.	SHEET	REVISION
AS SHOWN	A1	BK-GCS-PEDCO-120-AR-DW-0006	07 OF 07	D03	063-073-9184	F	4	B	709104	07 OF 07	D03