

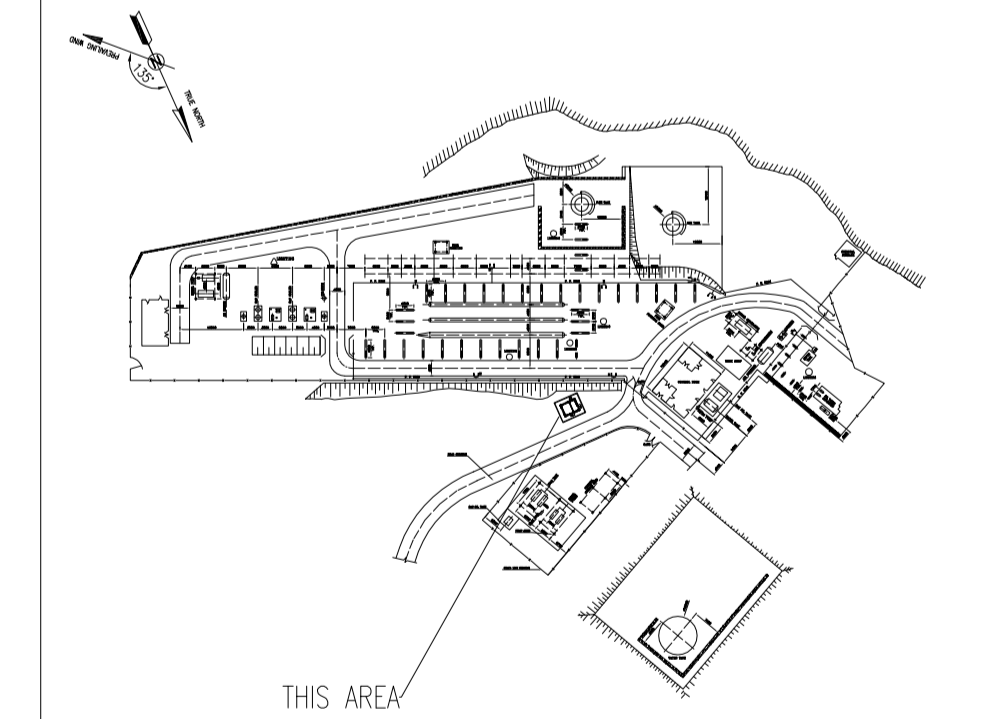
NOTES

1. ALL DIMENSIONS ARE IN CENTIMETER & ALL ELEVATIONS ARE IN METER.
2. ALL DIMENSIONS AND ELEVATIONS SHALL BE CHECKED BY THE CONTRACTOR PRIOR TO CONSTRUCTION.
3. CONTRACTOR SHALL COMPARE ALL ARCHITECTURAL, MECHANICAL, ELECTRICAL, PIPING AND STRUCTURAL DRAWINGS AND IN CASE OF ANY CONFLICTS OR DISCREPANCY, INFORM THE ENGINEER.
4. ALL MATERIALS ARE SELECTED FROM THE HIGHEST QUALITY AND MUST BE APPROVED BY THE CLIENT.
5. ALL OPENINGS FOR PIPING/CABLING AND HVAC OPENINGS SHALL BE CONSIDERED AS PER RELATED DRAWINGS BEFORE CONSTRUCTION.
6. FINISH GRADING LEVEL IS EQUIVALENT=±0.00 LOCAL=+262.000 GLOBAL(M.S.L.).

LEGEND

REFERENCE DRAWING	DRG. No.
STANDARD DRAWING FOR ARCHITECTURAL DETAILS	BK-GNRL-PEDCO-000-AR-DW-0001
SITE SEWERAGE SYSTEM LAYOUT & DETAILS	BK-GCS-PEDCO-120-CV-PY-0001
CABLE TRENCH AND DUCT BANK LAYOUT	BK-GCS-PEDCO-120-CV-PY-0002
ROAD, PAVING AND PLANT FINISH GRADING LAYOUT & SECTIONS	BK-GCS-PEDCO-120-CV-PY-0005
ELECTRICAL CABLE ROUTE & SECTION LAYOUT FOR BUILDING & SHELTER	BK-GCS-PEDCO-120-EL-PY-0006
FOUNDATION DRAWING FOR CCTV BACK ROOM- BINAK PU	BK-GCS-PEDCO-120-ST-DW-0079
STRUCTURAL DRAWING FOR CCTV BACK ROOM- BINAK PU	BK-GCS-PEDCO-120-ST-DW-0080
STANDARD DETAILS FOR LADDER & SAFETY CAGE	BK-GNRL-PEDCO-000-ST-DW-0009

KEY PLAN

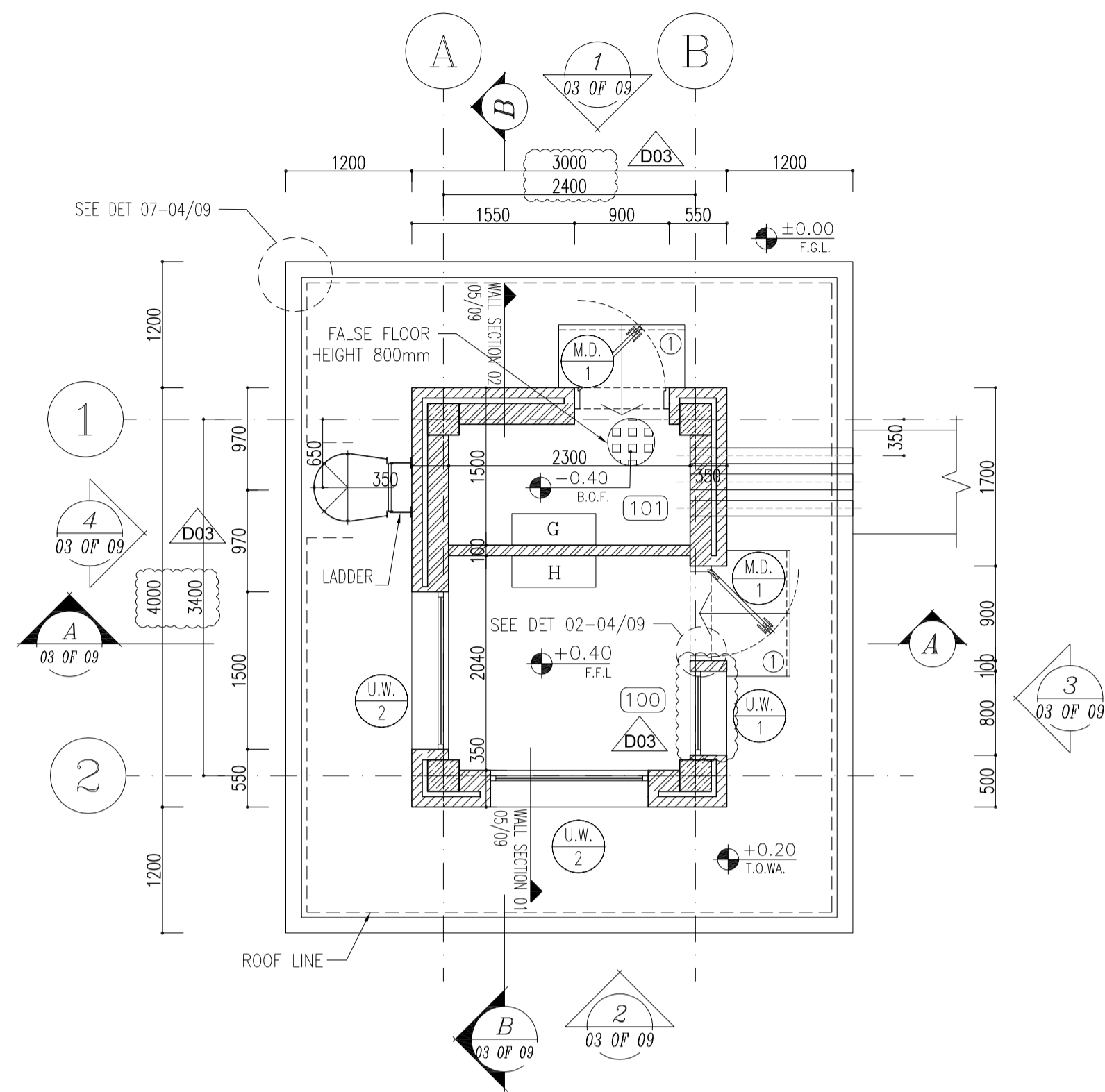
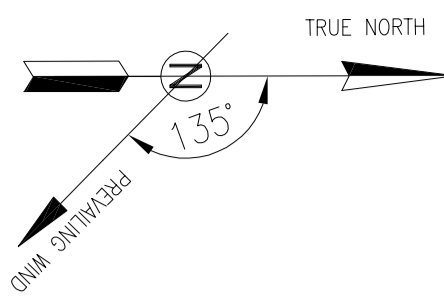


N.T.S **1** LOCATION PLAN

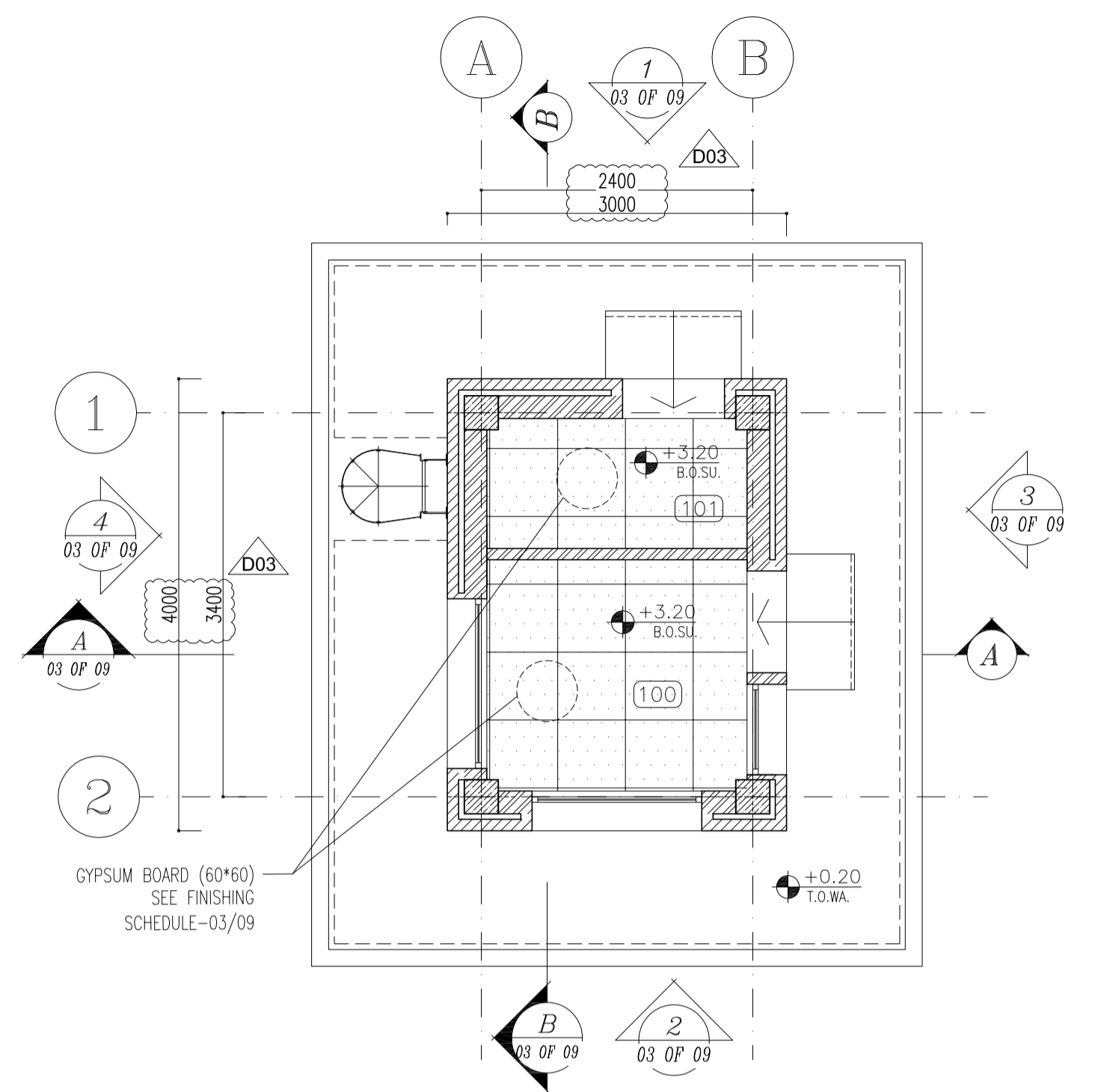
REV.	DATE	DESCRIPTION	BY	DATE	CHECKED	REV.	APPR.
D03	NOV.2023	AFC	R.BERLOUIE	M.FAKHARIAN	S.Paramarzpour	**	**
D02	AUG.2023	IFA	R.BERLOUIE	M.FAKHARIAN	A.M.MOHSENI	**	**
D01	MAY.2023	IFA	R.BERLOUIE	M.FAKHARIAN	A.M.MOHSENI	**	**
D00	AUG.2022	IFC	R.BERLOUIE	M.FAKHARIAN	M.MEHRSHAD	**	**

PROJECT NAME: BINAK OILFIELD DEVELOPMENT/SURFACE FACILITIES GAS COMPRESSOR STATION PROJECT NO.: 971020 EPC CONTRACTOR: HIRGAN ENERGY - DESIGN & INSPECTION COMPANIES EPD/EPC CONTRACTOR (GC): PETROIRAN DEVELOPMENT COMPANY DRAWING TITLE: Architectural Drawing For CCTV Back Room- Binak PU LOCATION PLAN							
APPROVED FOR CONSTRUCTION SCALE: A1 DRAWING NO.: BK-GCS-PEDCO-120-AR-DW-0010 SHEET NO.: 01 OF 09 REV.: D03				NO CONSTRUCTION PERMITTED UNLESS DRAWING APPROVED BY: SERIAL NO.: 709398 SHEET REVISION: 01 OF 09 DATE: D03			

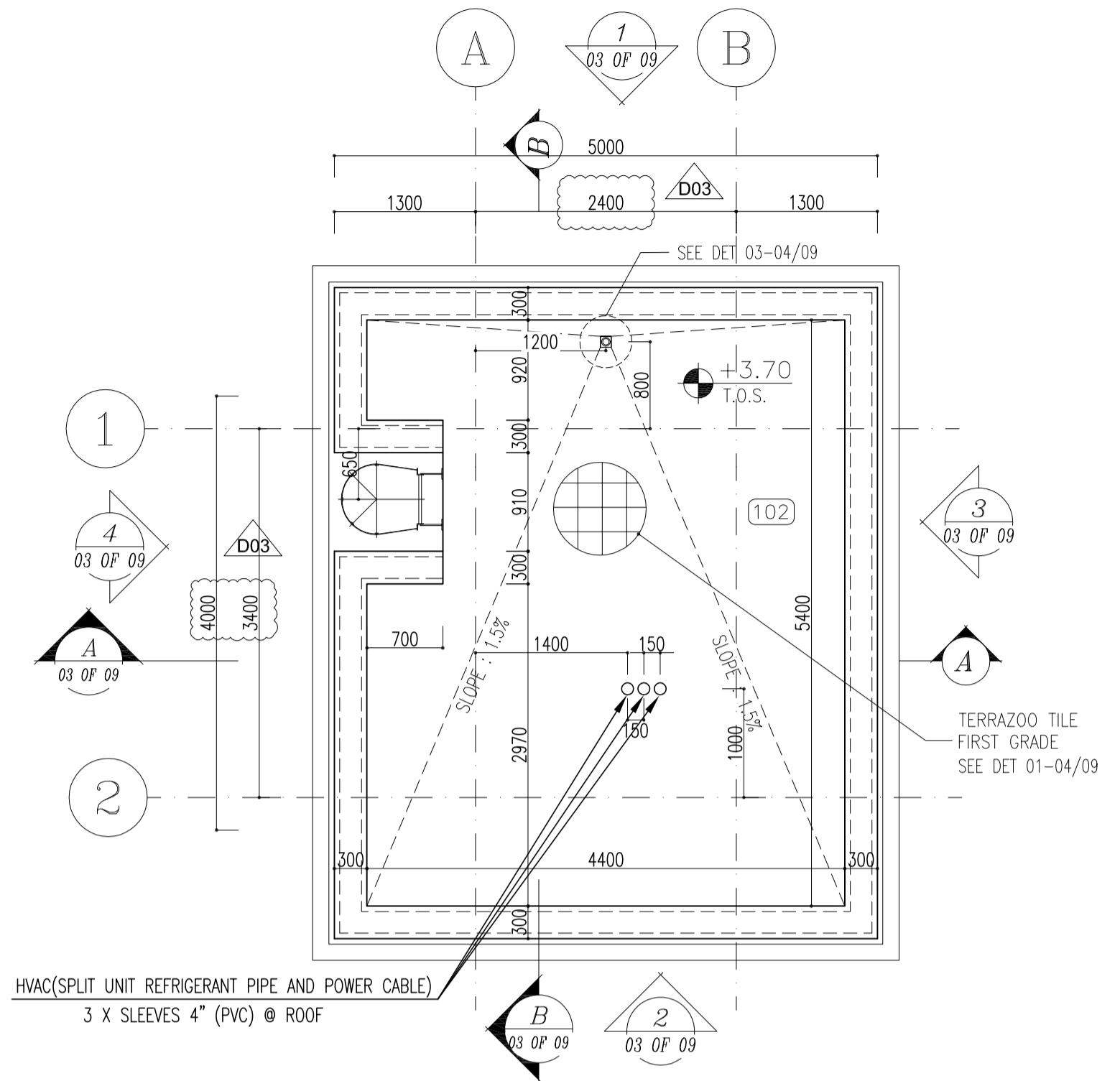
اسم و کلیه نسخ این نقشه و حق اقتباس متعلق به شرکت ملی مناطق نفت خیز جنوب میباشد.
 THE ORIGINAL AND ALL COPIES OF THIS DRAWING TOGETHER WITH THE COPYRIGHT THEREIN ARE THE SOLE PROPERTY OF N.I.S.O.C./ FIELDS



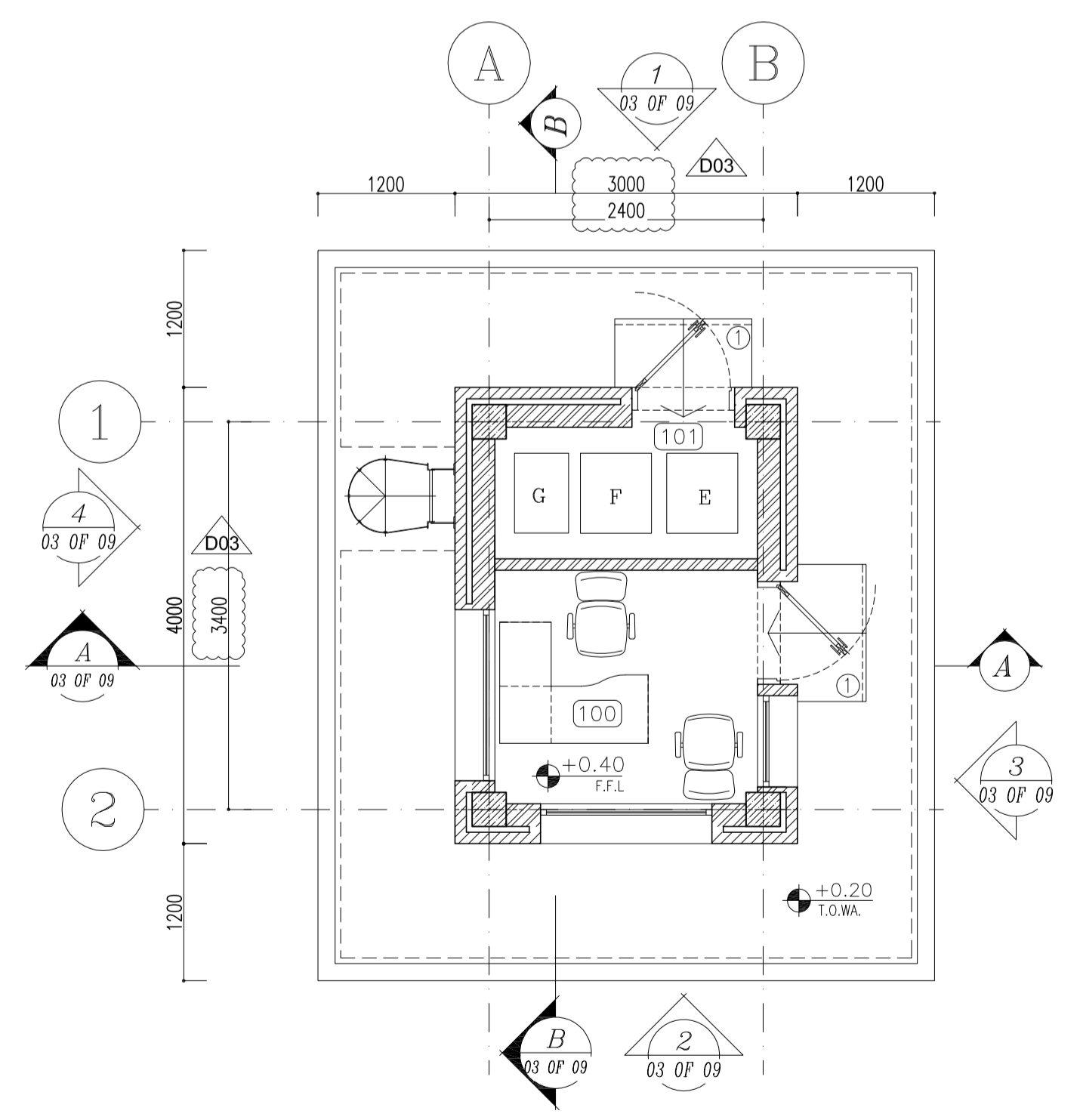
SC.1:50 **1 FLOOR PLAN**



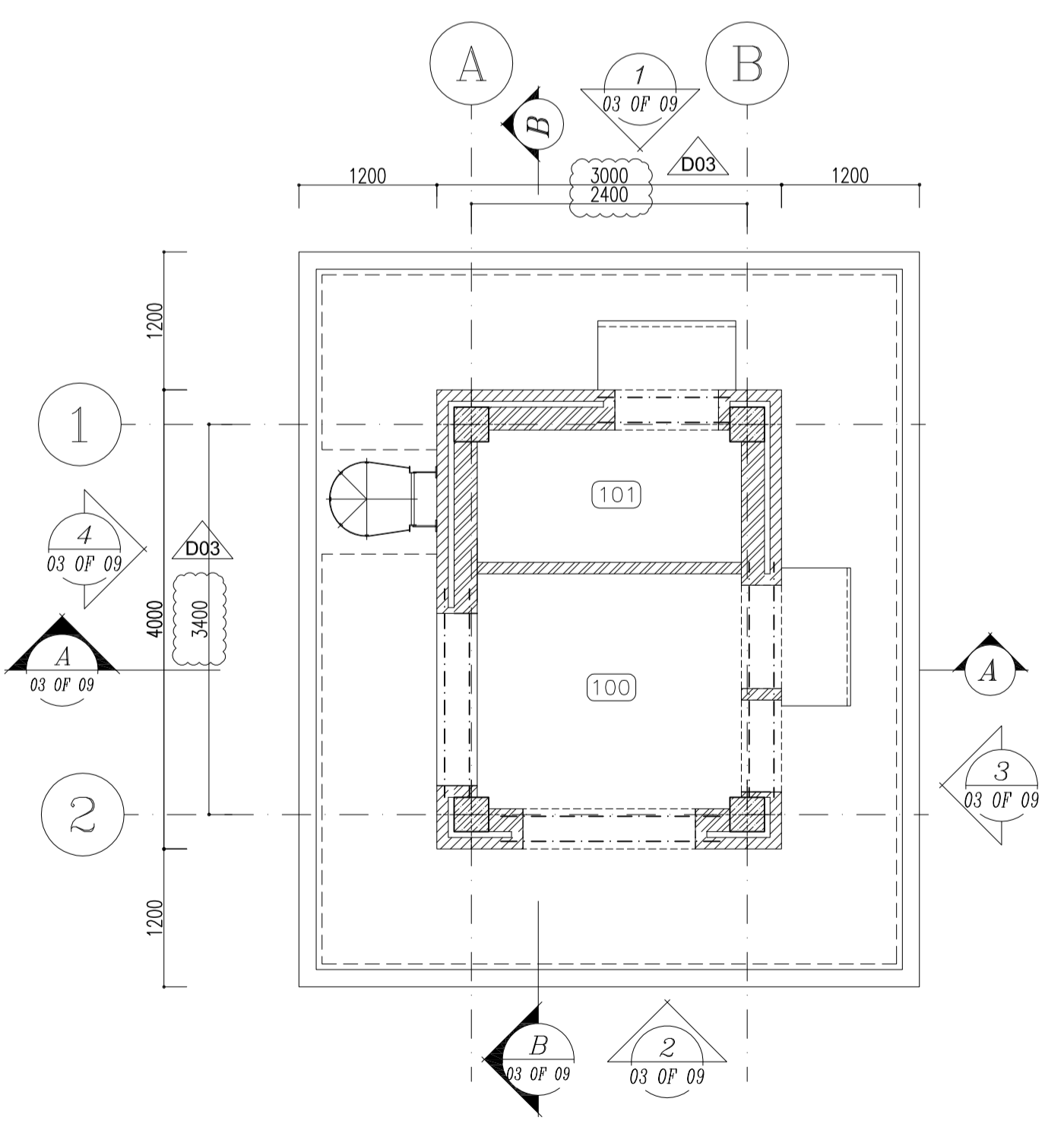
SC.1:50 **2 SUSPENDED CEILING PLAN**



SC.1:50 **3 ROOF PLAN**



SC.1:50 **4 FURNITURE PLAN**



SC.1:50 **5 LINTEL PLAN**

100	GUARD HOUSE
101	RACK ROOM

- NOTES**
1. ALL DIMENSIONS ARE IN CENTIMETER & ALL ELEVATIONS ARE IN METER.
 2. ALL DIMENSIONS AND ELEVATIONS SHALL BE CHECKED BY THE CONTRACTOR PRIOR TO CONSTRUCTION.
 3. CONTRACTOR SHALL COMPARE ALL ARCHITECTURAL, MECHANICAL, ELECTRICAL, PIPING AND STRUCTURAL DRAWINGS AND IN CASE OF ANY CONFLICTS OR DISCREPANCY, INFORM THE ENGINEER.
 4. ALL MATERIALS ARE SELECTED FROM THE HIGHEST QUALITY AND MUST BE APPROVED BY THE CLIENT.
 5. ALL OPENINGS FOR PIPING/CABLING AND HVAC OPENINGS SHALL BE CONSIDERED AS PER RELATED DRAWINGS BEFORE CONSTRUCTION.
 6. FINISH GRADING LEVEL IS EQUIVALENT=±0.00 LOCAL=+262.000 GLOBAL(M.S.L.).

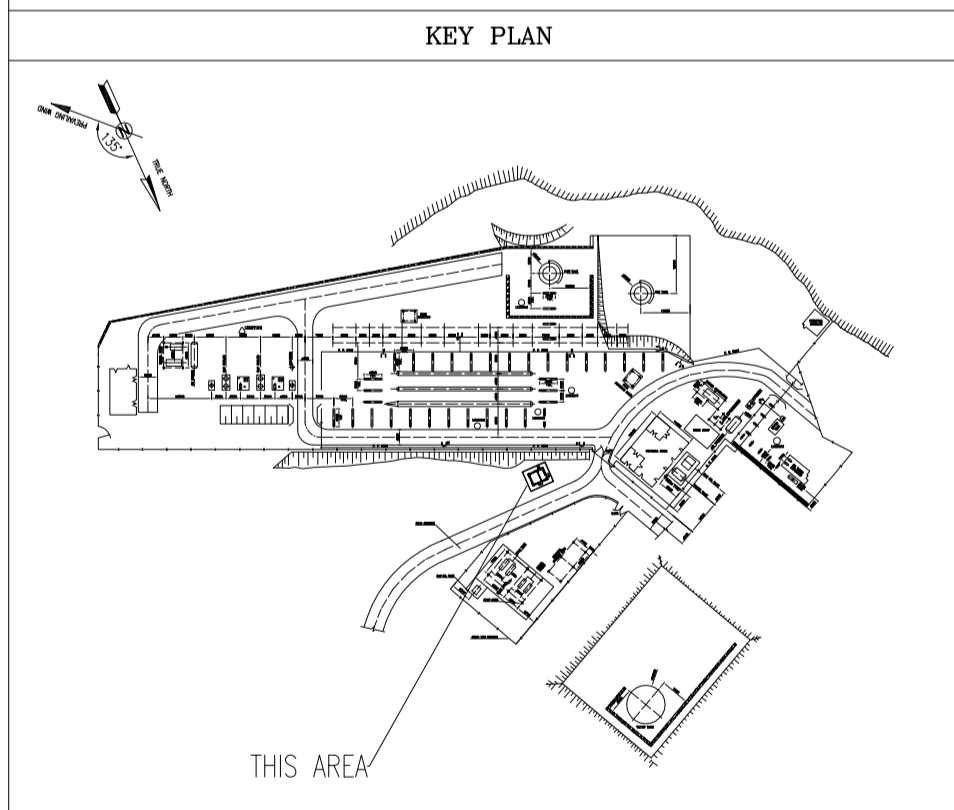
LEGEND

F.G.L.	FINISHED GRADING LEVEL
F.F.L.	FINISHED FLOOR LEVEL
T.O.G.	TOP OF GRAVEL
T.O.WA.	TOP OF WALKWAY
T.O.P.	TOP OF PARAPET
B.O.S.U.	BOTTOM OF SUSPENDED CEILING
T.O.S.	TOP OF SLAB
T.O.W.	TOP OF WINDOW
B.O.W.	BOTTOM OF WINDOW
T.O.R.	TOP OF ROOF
T.O.D.	TOP OF DOOR
T.O.CA.	TOP OF CAGE
B.O.CA.	BOTTOM OF CAGE
B.O.S.	BOTTOM OF SLAB
B.O.F.	BOTTOM OF FALSE FLOOR

	BRICK FACING
	BRICK WORK
	REINFORCED CONCRETE
	GYPSUM BOARD 60X60

REFERENCE DRAWING

REFERENCE DRAWING	DRG. No.
STANDARD DRAWING FOR ARCHITECTURAL DETAILS	BK-GNRL-PEDCO-000-AR-DW-0001
SITE SEWERAGE SYSTEM LAYOUT & DETAILS	BK-GCS-PEDCO-120-CV-PY-0001
CABLE TRENCH AND DUCT BANK LAYOUT	BK-GCS-PEDCO-120-CV-PY-0002
ROAD, PAVING AND PLANT FINISH GRADING LAYOUT & SECTIONS	BK-GCS-PEDCO-120-CV-PY-0005
ELECTRICAL CABLE ROUTE & SECTION LAYOUT FOR BUILDING & SHELTER	BK-GCS-PEDCO-120-EL-PY-0006
FOUNDATION DRAWING FOR CCTV RACK ROOM- BINAK PU	BK-GCS-PEDCO-120-ST-DW-0079
STRUCTURAL DRAWING FOR CCTV RACK ROOM- BINAK PU	BK-GCS-PEDCO-120-ST-DW-0080
STANDARD DETAILS FOR LADDER & SAFETY CAGE	BK-GNRL-PEDCO-000-ST-DW-0009



REV.	DATE	DESCRIPTION	BY	DATE	BY	DATE
D03	NOV.2023	AFC	R.BERLOUIE	M.FAKHARIAN	S.Paramarspour	***
D02	AUG.2023	IFA	R.BERLOUIE	M.FAKHARIAN	A.M.MOHSENI	***
D01	MAY.2023	IFA	R.BERLOUIE	M.FAKHARIAN	A.M.MOHSENI	***
D00	AUG.2022	IFC	R.BERLOUIE	M.FAKHARIAN	M.MEHRSHAD	***

PROJECT NAME: **BINAK OILFIELD DEVELOPMENT/SURFACE FACILITIES GAS COMPRESSOR STATION**

PROJECT NO.: 971020

EPC CONTRACTOR: **HIRGAN ENERGY** (Logo) **TE** (Logo)
HIRGAN ENERGY - DESIGN & INSPECTION COMPANIES

EPD/EPC CONTRACTOR (GC): **PETROIRAN DEVELOPMENT COMPANY** (Logo) **PEDCO** (Logo)

DRAWING TITLE: **Architectural Drawing For CCTV Rack Room- Binak PU PLANS**

SCALE	SIZE	DRAWING NO.	SHEET NO.	REV.	BUDGET REF.	LOCATION	SIZE CLASS	SERIAL NO.	SHEET	REVISION
AS SHOWN	A1	BK-GCS-PEDCO-120-AR-DW-0010	02 OF 09	D03	053-073-9184	F	4	B	709398	02 OF 09

اسم و کلیه نسخ این نقشه و حق اقتباس متعلق به شرکت ملی مناطق نفت خیز جنوب میباشد.

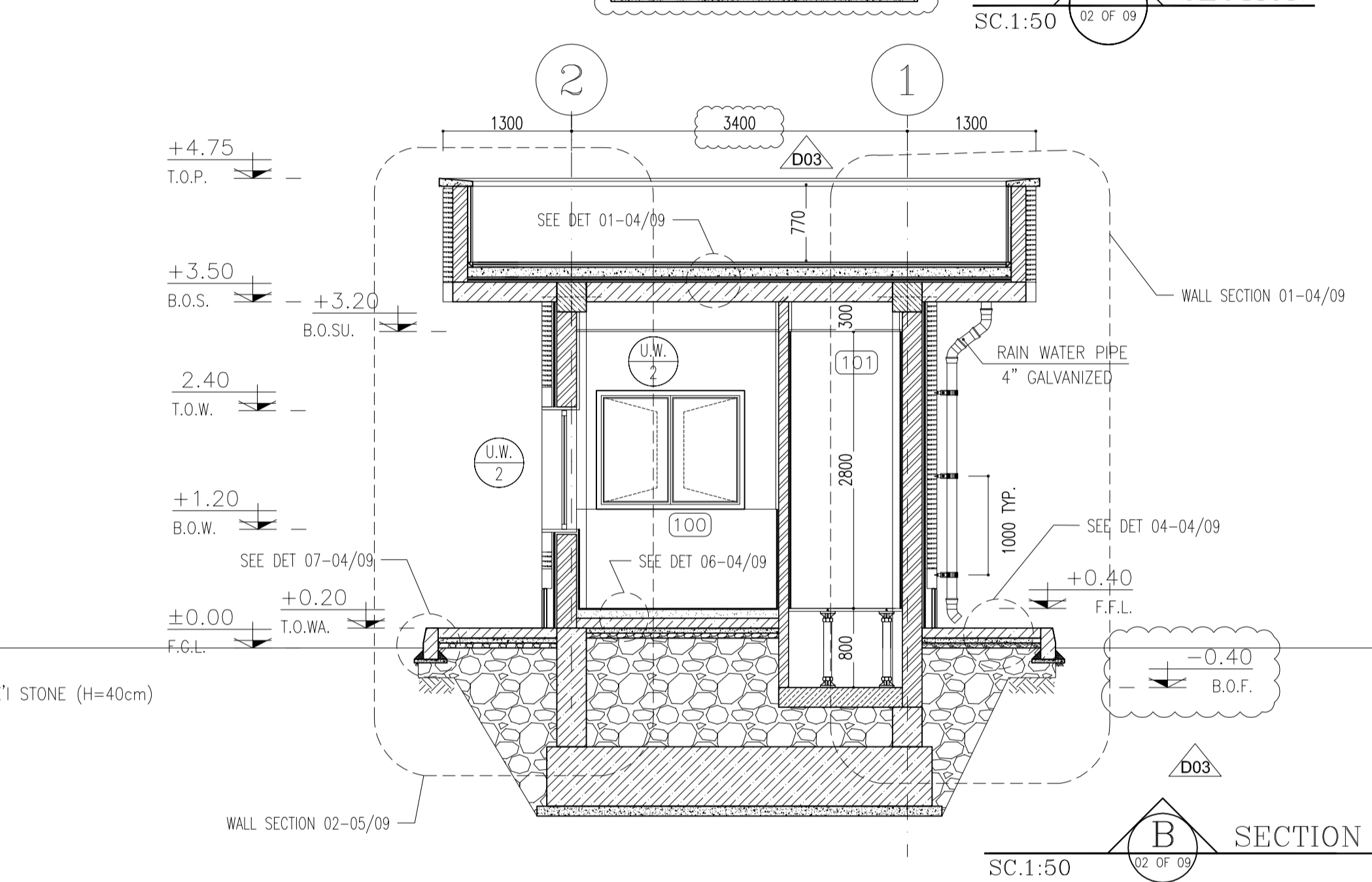
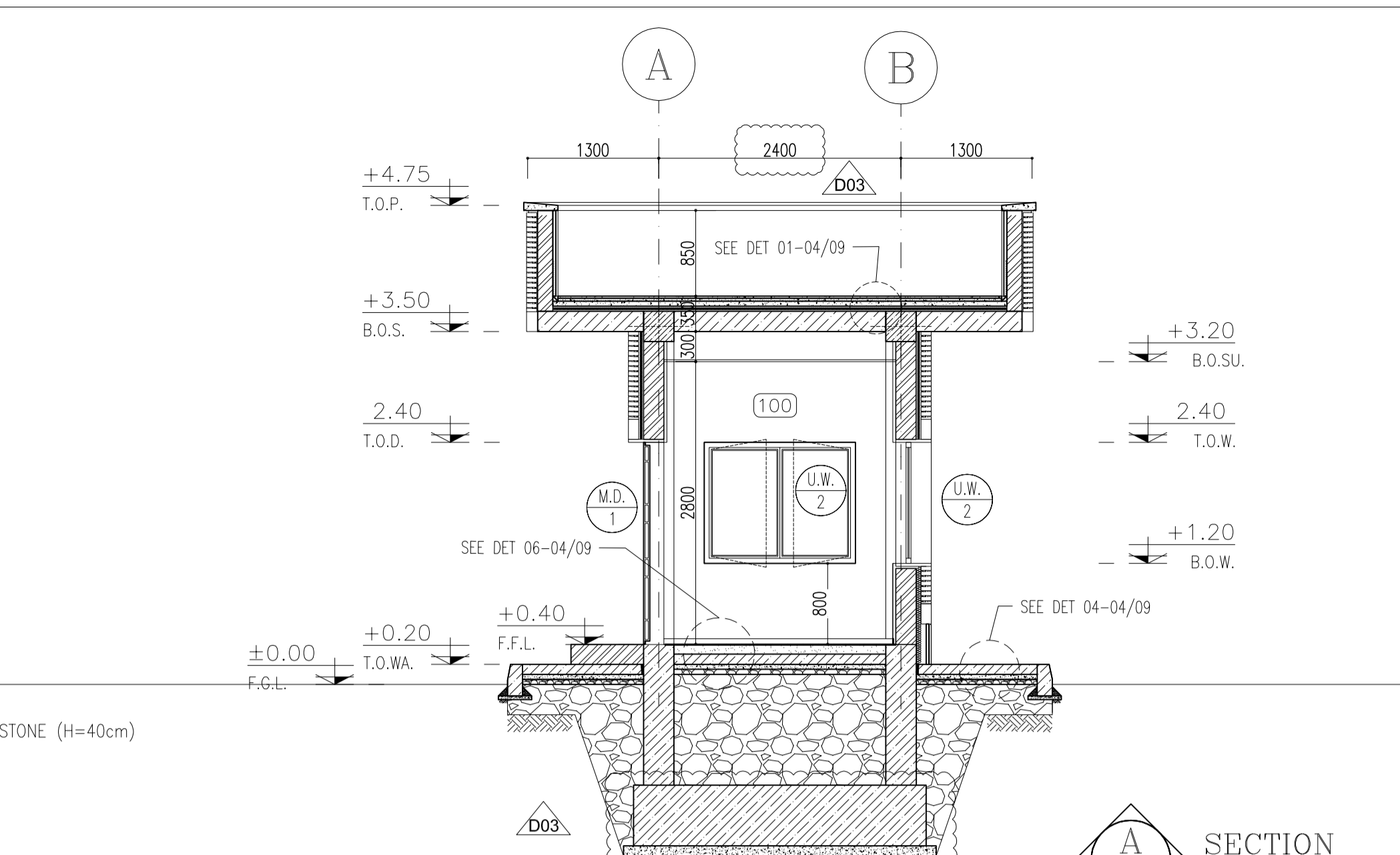
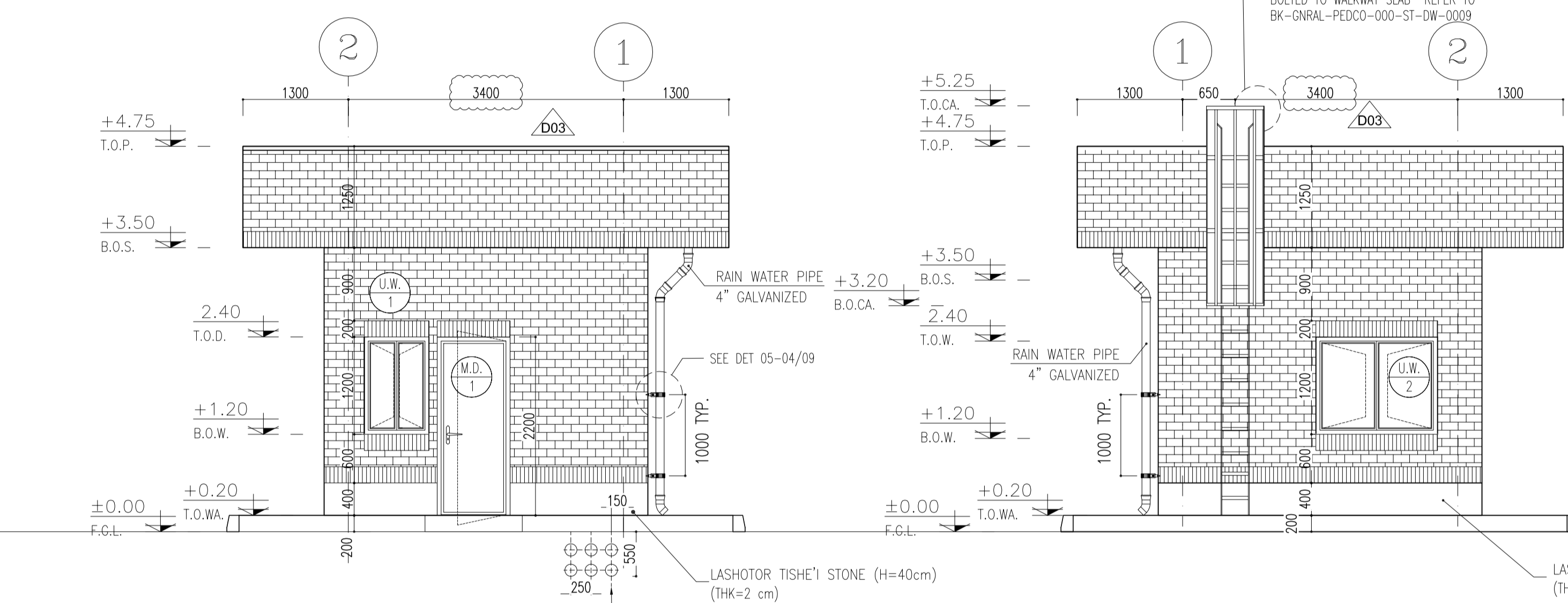
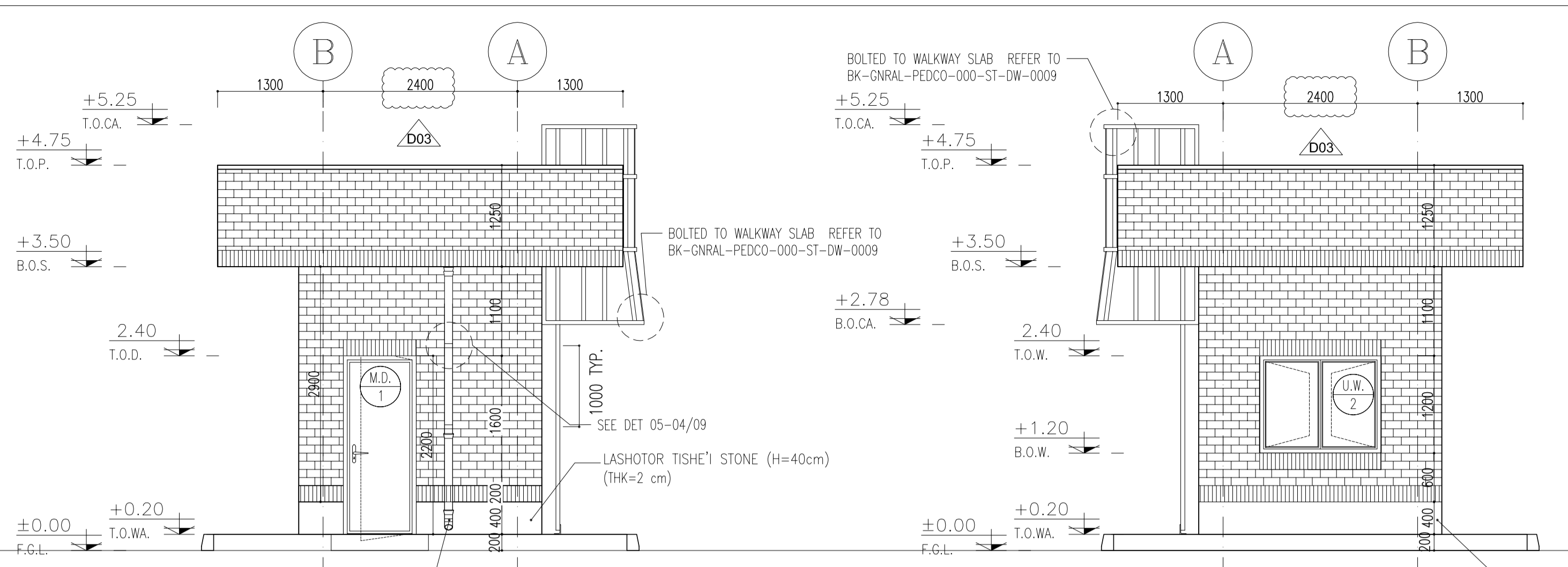
THE ORIGINAL AND ALL COPIES OF THIS DRAWING TOGETHER WITH THE COPYRIGHT THEREIN ARE THE SOLE PROPERTY OF **N.I.S.O.C./ FIELDS**

BINAK OILFIELD DEVELOPMENT SURFACE FACILITIES GAS COMPRESSOR STATION

DATE	SCALE	DRAWING BY	CHECKED BY	PROJECT ENG.

NO CONSTRUCTION PERMITTED UNLESS DRAWING APPROVED

APPROVED FOR CONSTRUCTION	BY:	DATE:



NOTES

1. ALL DIMENSIONS ARE IN CENTIMETER & ALL ELEVATIONS ARE IN METER.
2. ALL DIMENSIONS AND ELEVATIONS SHALL BE CHECKED BY THE CONTRACTOR PRIOR TO CONSTRUCTION.
3. CONTRACTOR SHALL COMPARE ALL ARCHITECTURAL, MECHANICAL, ELECTRICAL, PIPING AND STRUCTURAL DRAWINGS AND IN CASE OF ANY CONFLICTS OR DISCREPANCY, INFORM THE ENGINEER.
4. ALL MATERIALS ARE SELECTED FROM THE HIGHEST QUALITY AND MUST BE APPROVED BY THE CLIENT.
5. ALL OPENINGS FOR PIPING/CABLING AND HVAC OPENINGS SHALL BE CONSIDERED AS PER RELATED DRAWINGS BEFORE CONSTRUCTION.
6. FINISH GRADING LEVEL IS EQUIVALENT=±0.00 LOCAL=+262.000 GLOBAL(M.S.L.).

LEGEND

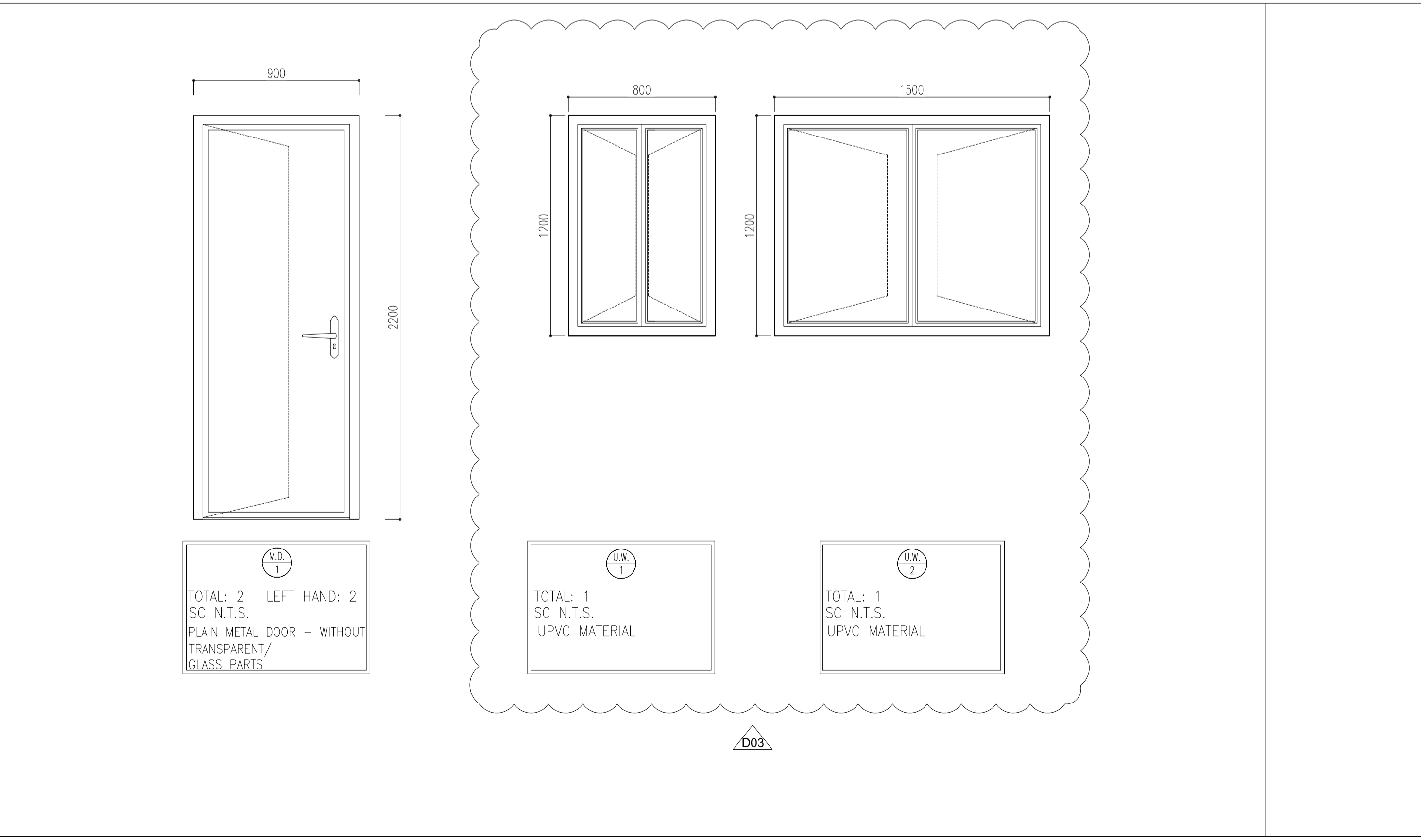
F.G.L.	FINISHED GRADING LEVEL
F.F.L.	FINISHED FLOOR LEVEL
T.O.G.	TOP OF GRAVEL
T.O.WA.	TOP OF WALKWAY
T.O.P.	TOP OF PARAPET
B.O.S.U.	BOTTOM OF SUSPENDED CEILING
T.O.S.	TOP OF SLAB
T.O.W.	TOP OF WINDOW
B.O.W.	BOTTOM OF WINDOW
T.O.R.	TOP OF ROOF
T.O.D.	TOP OF DOOR
T.O.CA.	TOP OF CAGE
B.O.CA.	BOTTOM OF CAGE
B.O.S.	BOTTOM OF SLAB
B.O.F.	BOTTOM OF FALSE FLOOR

	BRICK FACING
	BRICK WORK
	REINFORCED CONCRETE
	LEAN CONCRETE
	BLOCKAGE
	GRAVEL
	FACADE GRANITE STONE

REFERENCE DRAWING

REFERENCE DRAWING	DRG. No.
STANDARD DRAWING FOR ARCHITECTURAL DETAILS	BK-GNRL-PEDCO-000-AR-DW-0001
SITE SEWERAGE SYSTEM LAYOUT & DETAILS	BK-GCS-PEDCO-120-CV-PY-0001
CABLE TRENCH AND DUCT BANK LAYOUT	BK-GCS-PEDCO-120-CV-PY-0002
ROAD, PAVING AND PLANT FINISH GRADING LAYOUT & SECTIONS	BK-GCS-PEDCO-120-CV-PY-0005
ELECTRICAL CABLE ROUTE & SECTION LAYOUT FOR BUILDING & SHELTER	BK-GCS-PEDCO-120-EL-PY-0006
FOUNDATION DRAWING FOR CCTV RACK ROOM- BINAK PU	BK-GCS-PEDCO-120-ST-DW-0079
STRUCTURAL DRAWING FOR CCTV RACK ROOM- BINAK PU	BK-GCS-PEDCO-120-ST-DW-0080
STANDARD DETAILS FOR LADDER & SAFETY CAGE	BK-GNRL-PEDCO-000-ST-DW-0009

KEY PLAN



FINISHING SCHEDULE

NO.	AREA	FLOOR	MATERIAL DIMENSION	SKIRTING	WALL	CEILING
100	GUARD HOUSE	GRANITE PLAQUE STONE (60x60)	(60x60)	PLAQUE STONE (H=100cm)	GYPSUM PLASTER + OIL PAINT + CEMENT PLASTER LAYER	GYPSUM BOARD 60x60 REMOVABLE SUSPENDED CEILING
101	RACK ROOM	GRANITE PLAQUE STONE (60x60)	(60x60)	-	CREAM MARMARIT STONE (H=280cm)	GYPSUM BOARD 60x60 REMOVABLE SUSPENDED CEILING
102	ROOF	TERRAZZO TILE FIRST GRADE	(30x30)	TERRAZZO TILE (H=30cm)	CEMENT PLASTER	-

5 FINISHING SCHEDULE

REV.	DESCRIPTION	BY	DATE	CHECKED	REV.	APPR.
D03	NOV.2023	AFC	R.BERLOUIE	M.FAKHARIAN	S.Paramaraspour	**
D02	AUG.2023	IFA	R.BERLOUIE	M.FAKHARIAN	A.M.MOHSSENI	**
D01	MAY.2023	IFA	R.BERLOUIE	M.FAKHARIAN	A.M.MOHSSENI	**
D00	AUG.2022	IFC	R.BERLOUIE	M.FAKHARIAN	M.MEHRSHAD	**

PROJECT NAME: BINAK OILFIELD DEVELOPMENT/SURFACE FACILITIES GAS COMPRESSOR STATION

PROJECT NO.: 971020

EPC CONTRACTOR: HIRGAN ENERGY (Logo) TE (Logo) HIRGAN ENERGY - DESIGN & INSPECTION COMPANIES

EPD/EPC CONTRACTOR (GC): PETROIRAN DEVELOPMENT COMPANY (Logo) PEDCO

DRAWING TITLE: Architectural Drawing For CCTV Rack Room- Binak PU SECTIONS AND ELEVATIONS

SCALE	SIZE	DRAWING NO.	SHEET NO.	REV.	BUDGET REF.	LOCATION	SIZE CLASS	SERIAL NO.	SHEET	REVISION
AS SHOWN	A1	BK-GCS-PEDCO-120-AR-DW-0010	03 OF 09	D03	053-073-9184	F	4	B	709398	03 OF 09 D03

اسم و کلیه نسخ این نقشه و حق اقتباس متعلق به شرکت ملی مناطق نفت خیز جنوب میباشد.

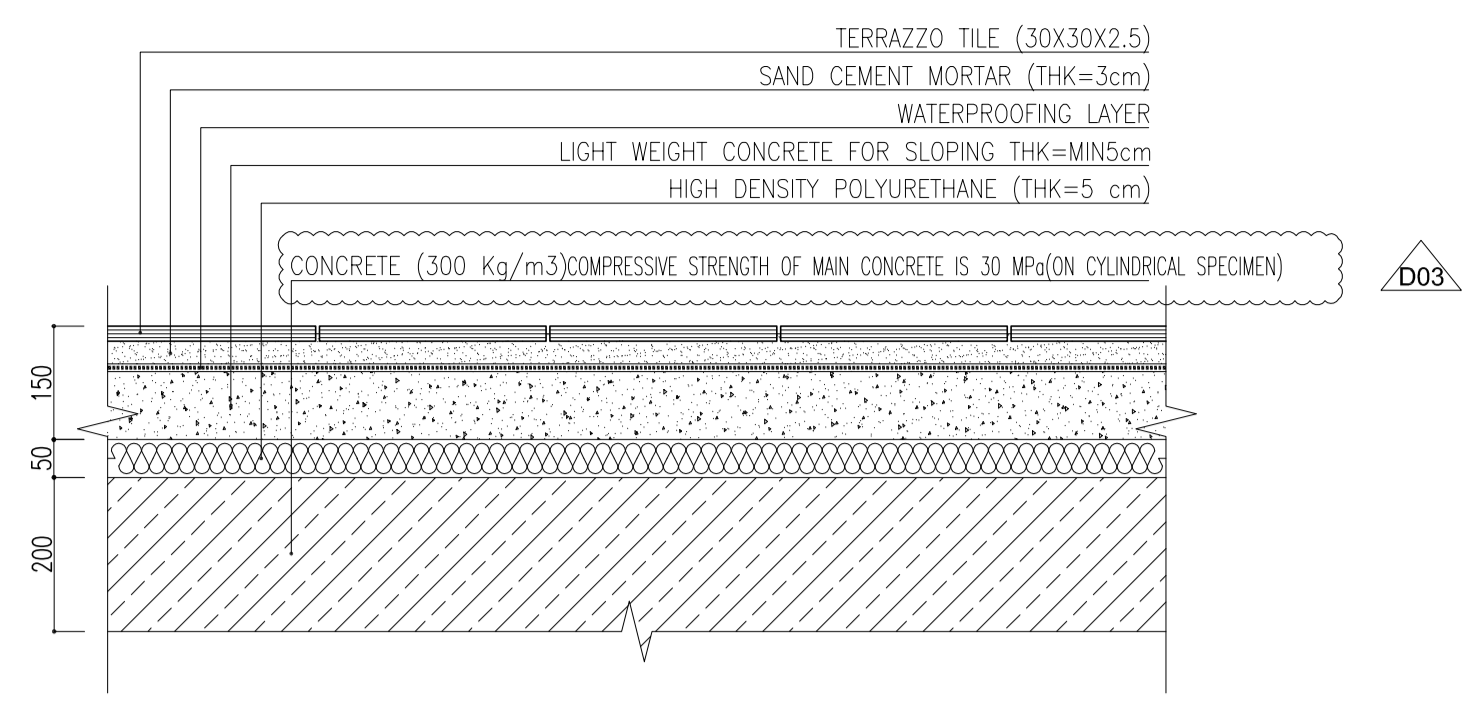
THE ORIGINAL AND ALL COPIES OF THIS DRAWING TOGETHER WITH THE COPYRIGHT THEREIN ARE THE SOLE PROPERTY OF N.I.S.O.C./ FIELDS

BINAK OILFIELD DEVELOPMENT SURFACE FACILITIES GAS COMPRESSOR STATION

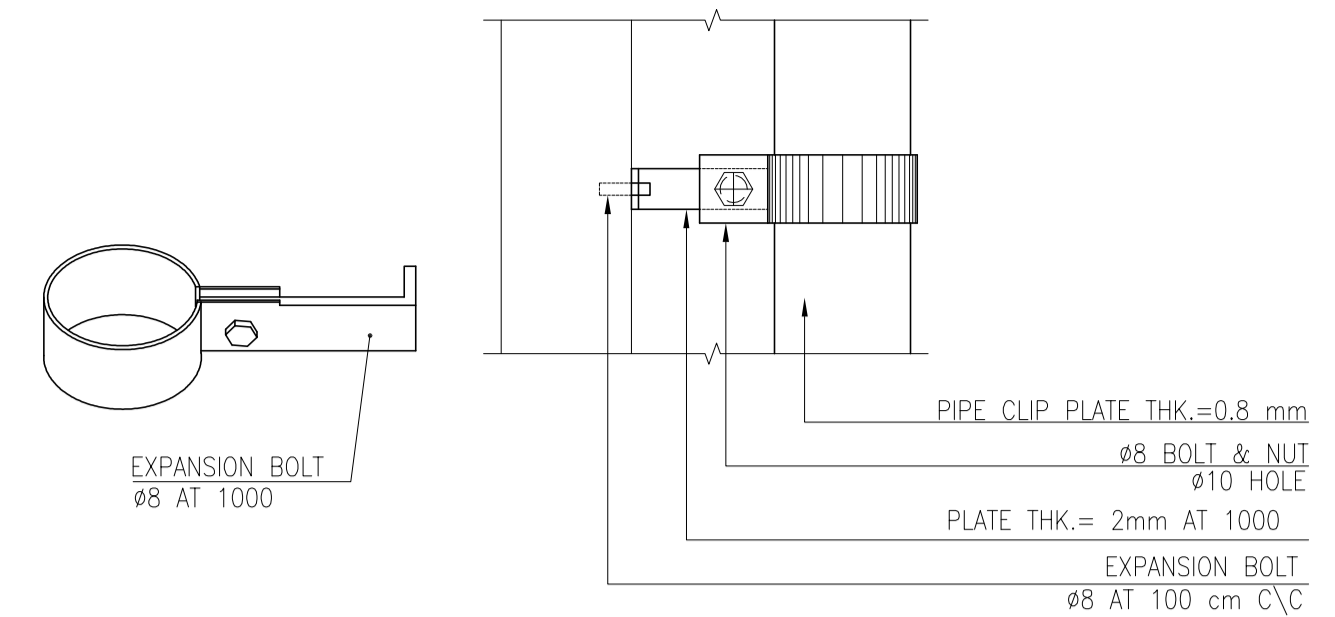
DATE	SCALE	DRAWING BY	CHECKED BY	PROJECT ENG.

NO CONSTRUCTION PERMITTED UNLESS DRAWING APPROVED

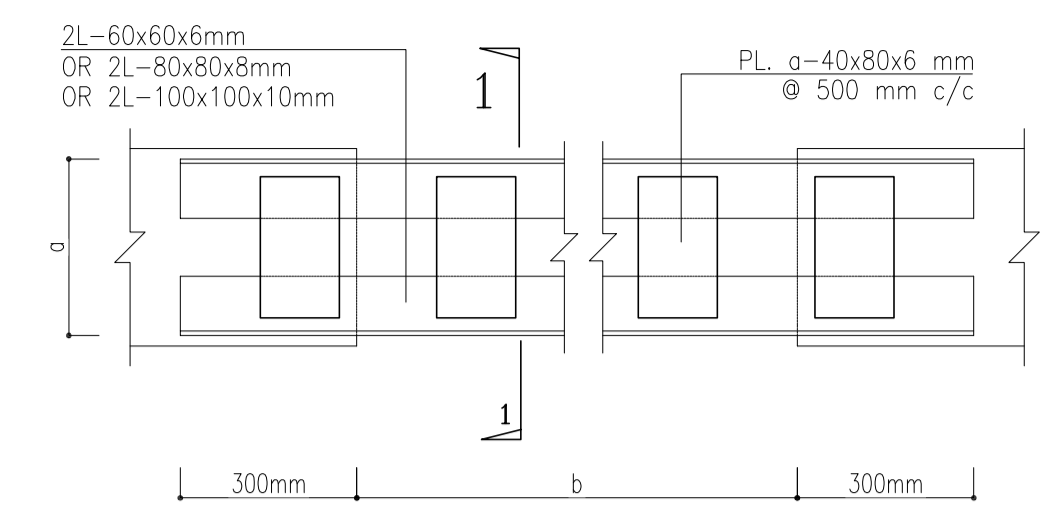
APPROVED FOR CONSTRUCTION	BY:	DATE:



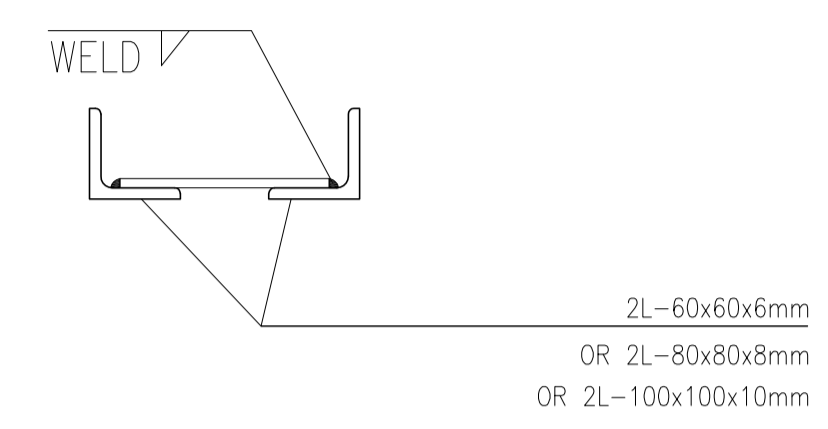
DETAIL 01
Sc:1/10



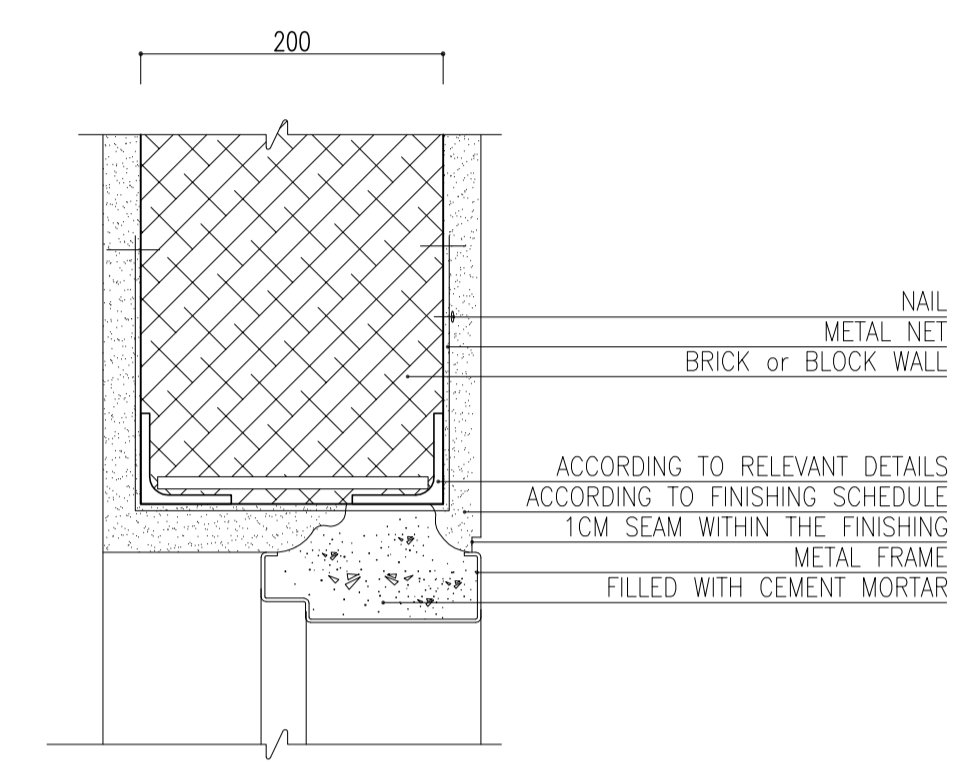
DETAIL 05
Sc:1/5



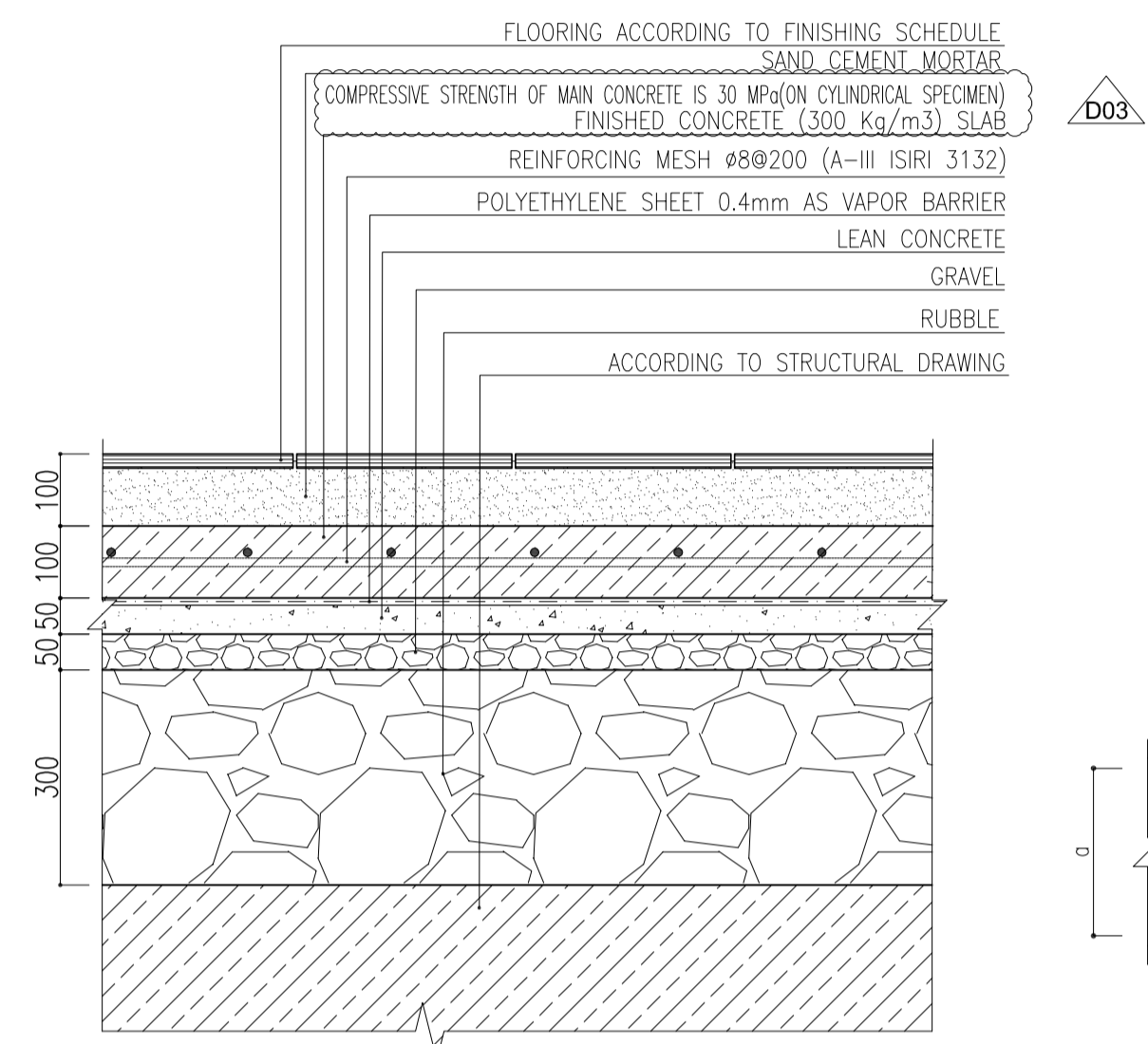
LINTEL PLAN -2L
Sc: N.T.S.



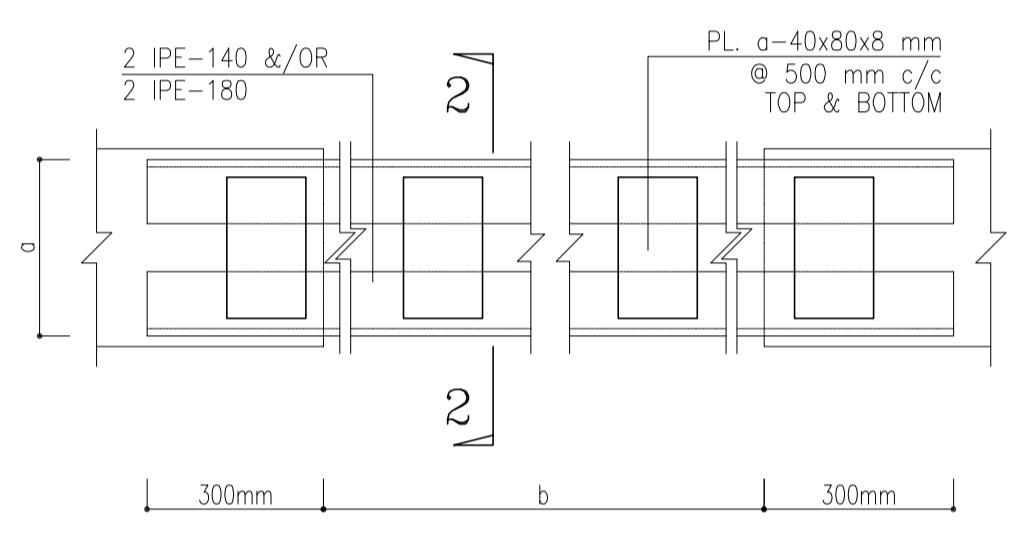
TYP. SECTION 1-1
Sc: 1:5



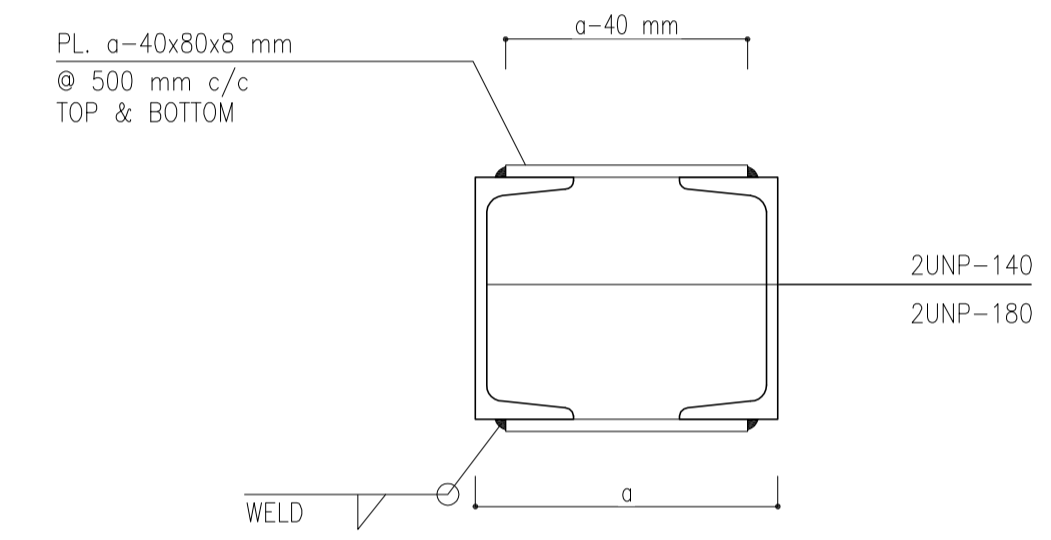
DETAIL 02
Sc:1/5



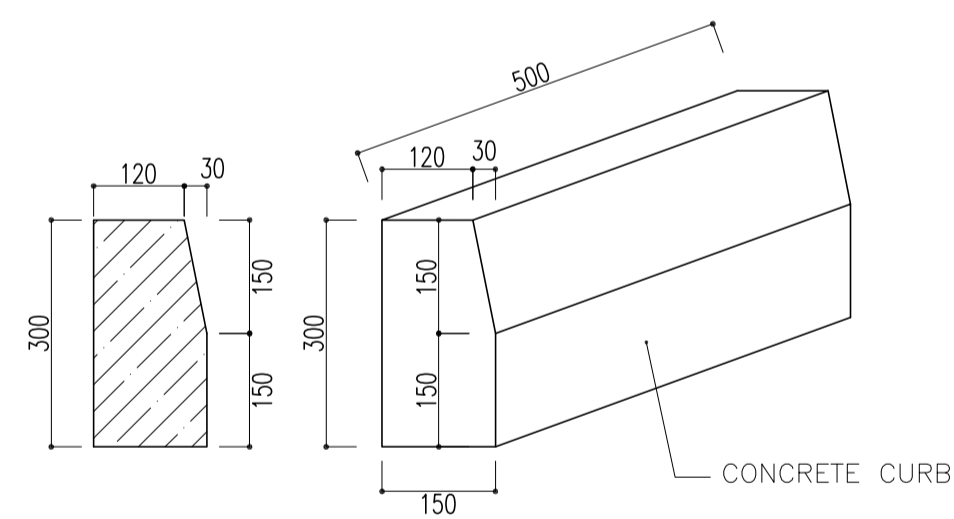
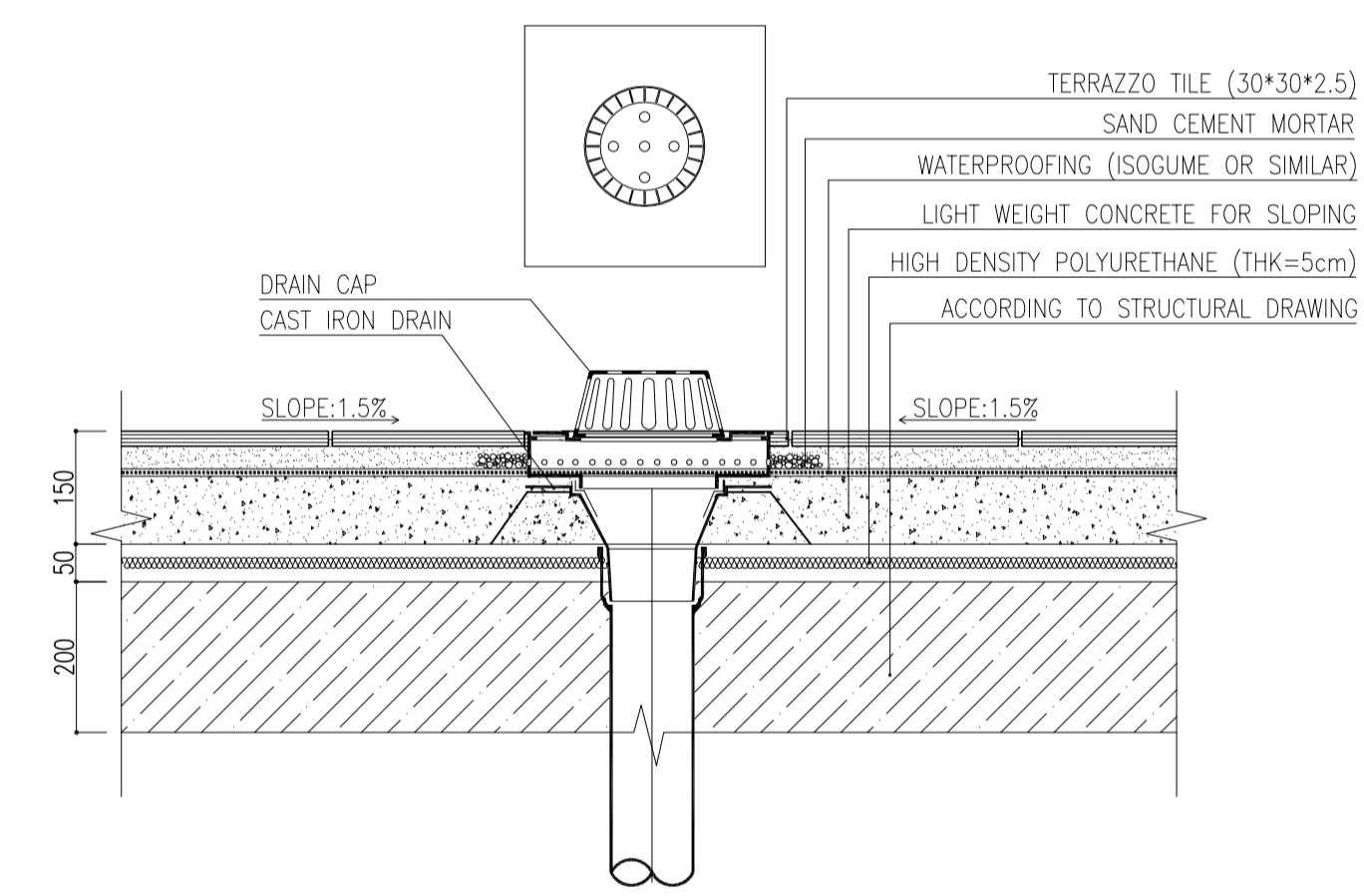
DETAIL 06
Sc:1/10



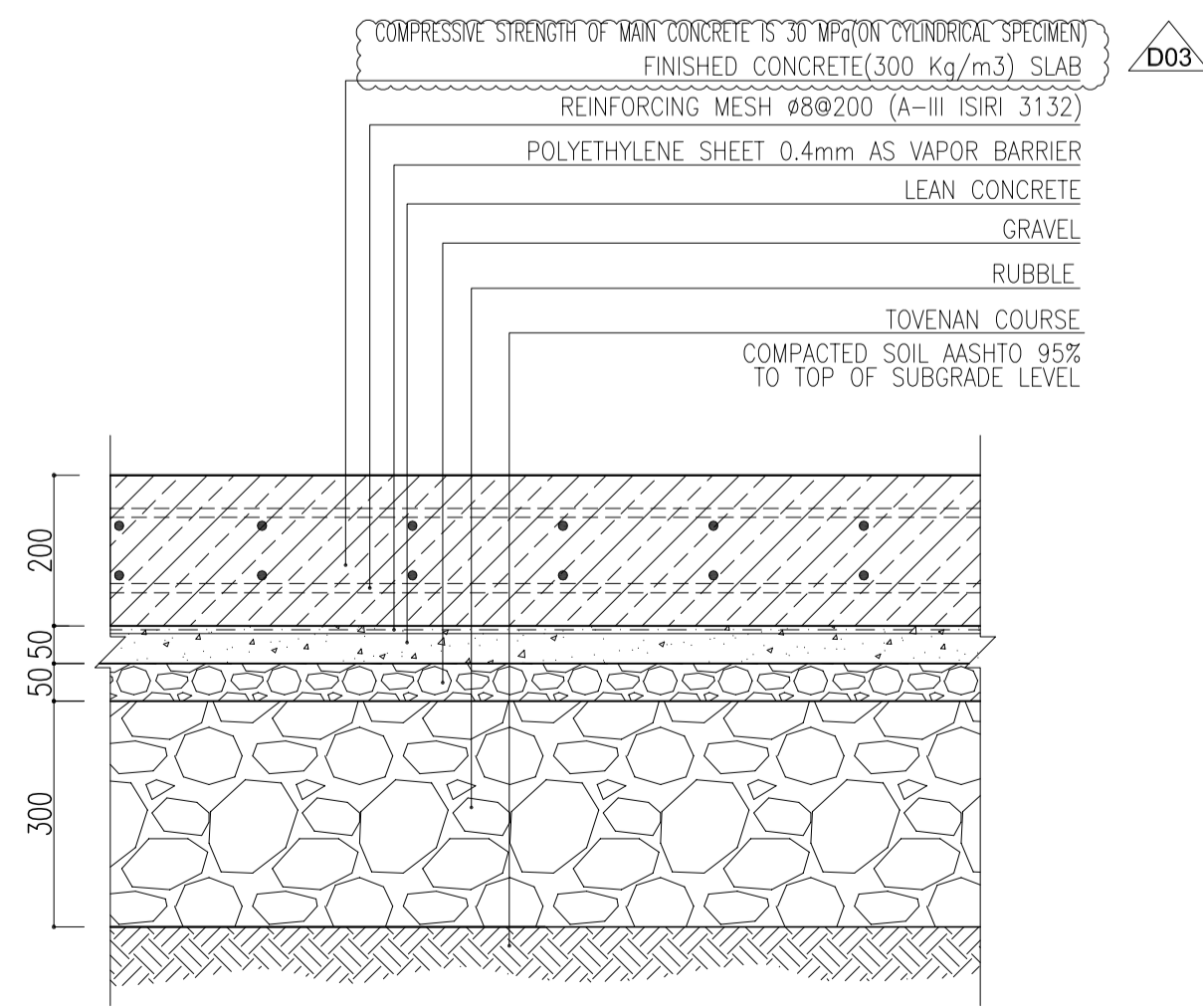
LINTEL PLAN -2 IPE
Sc: N.T.S.



TYP. SECTION 2-2
Sc: 1:10



DETAIL 07
Sc:1/10



DETAIL 04
Sc:1/10

LINTEL SCHEDULE				
WIDTH a	SPAN b mm	PROFILE mm		
		a>200	a<200	
VARIES- IT DEPENDS ON WALL THICKNESS AND IT'S FINISHING. REFER TO ARCHITECTURAL DWGS.	b<1100	2L-60x60x6	UNP 100	
	1100<b<1500	2L-80x80x8	UNP 100	
	1500<b<2100	2L-100x100x10	2UNP 80	
	2100<b<3000	2UNP 160	2UNP 100	
	3000<b<3600	2UNP 180	2UNP 100	

8 LINTEL SCHEDULE

- NOTES**
1. ALL DIMENSIONS ARE IN CENTIMETER & ALL ELEVATIONS ARE IN METER.
 2. ALL DIMENSIONS AND ELEVATIONS SHALL BE CHECKED BY THE CONTRACTOR PRIOR TO CONSTRUCTION.
 3. CONTRACTOR SHALL COMPARE ALL ARCHITECTURAL, MECHANICAL, ELECTRICAL, PIPING AND STRUCTURAL DRAWINGS AND IN CASE OF ANY CONFLICTS OR DISCREPANCY, INFORM THE ENGINEER.
 4. ALL MATERIALS ARE SELECTED FROM THE HIGHEST QUALITY AND MUST BE APPROVED BY THE CLIENT.
 5. ALL OPENINGS FOR PIPING/CABLING AND HVAC OPENINGS SHALL BE CONSIDERED AS PER RELATED DRAWINGS BEFORE CONSTRUCTION.
 6. FINISH GRADING LEVEL IS EQUIVALENT=±0.00 LOCAL=+262.000 GLOBAL(M.S.L.).

LEGEND

F.G.L.	FINISHED GRADING LEVEL
F.F.L.	FINISHED FLOOR LEVEL
T.O.G.	TOP OF GRAVEL
T.O.WA.	TOP OF WALKWAY
T.O.P.	TOP OF PARAPET
B.O.SU.	BOTTOM OF SUSPENDED CEILING
T.O.S.	TOP OF SLAB
T.O.W.	TOP OF WINDOW
B.O.W.	BOTTOM OF WINDOW
T.O.R.	TOP OF ROOF
T.O.D.	TOP OF DOOR
T.O.CA.	TOP OF CAGE
B.O.CA.	BOTTOM OF CAGE
B.O.S.	BOTTOM OF SLAB
B.O.F.	BOTTOM OF FALSE FLOOR

	BRICK FACING
	BRICK WORK
	REINFORCED CONCRETE
	LEAN CONCRETE
	BLOCKAGE
	GRAVEL
	FACADE GRANITE STONE

REFERENCE DRAWING	DRG. No.
STANDARD DRAWING FOR ARCHITECTURAL DETAILS	BK-GNRL-PEDCO-000-AR-DW-0001
SITE SEWERAGE SYSTEM LAYOUT & DETAILS	BK-GCS-PEDCO-120-CV-PY-0001
CABLE TRENCH AND DUCT BANK LAYOUT	BK-GCS-PEDCO-120-CV-PY-0002
ROAD, PAVING AND PLANT FINISH GRADING LAYOUT & SECTIONS	BK-GCS-PEDCO-120-CV-PY-0005
ELECTRICAL CABLE ROUTE & SECTION LAYOUT FOR BUILDING & SHELTER	BK-GCS-PEDCO-120-EL-PY-0006
FOUNDATION DRAWING FOR CCTV RACK ROOM- BINAK PU	BK-GCS-PEDCO-120-ST-DW-0079
STRUCTURAL DRAWING FOR CCTV RACK ROOM- BINAK PU	BK-GCS-PEDCO-120-ST-DW-0080
STANDARD DETAILS FOR LADDER & SAFETY CAGE	BK-GNRL-PEDCO-000-ST-DW-0009

KEY PLAN

REV.	DATE	P.O.I.S	PREP.	CHK.	APP.	AUT.
D03	NOV.2023	AFC	R.BERLOUIE	M.FAKHARIAN	S.Paramarapur	**
D02	AUG.2023	IFA	R.BERLOUIE	M.FAKHARIAN	A.M.MOHSSENI	**
D01	MAY.2023	IFA	R.BERLOUIE	M.FAKHARIAN	A.M.MOHSSENI	**
D00	AUG.2022	IFC	R.BERLOUIE	M.FAKHARIAN	M.MEHRSHAD	**

REV.	DESCRIPTION	BY	DATE	BY	DATE

اسم و کلیه نسخ این نقشه و حق اقتباس متعلق به شرکت ملی مناطق نفت خیز جنوب میباشد.

THE ORIGINAL AND ALL COPIES OF THIS DRAWING TOGETHER WITH THE COPYRIGHT THEREIN ARE THE SOLE PROPERTY OF N.I.S.O.C./ FIELDS

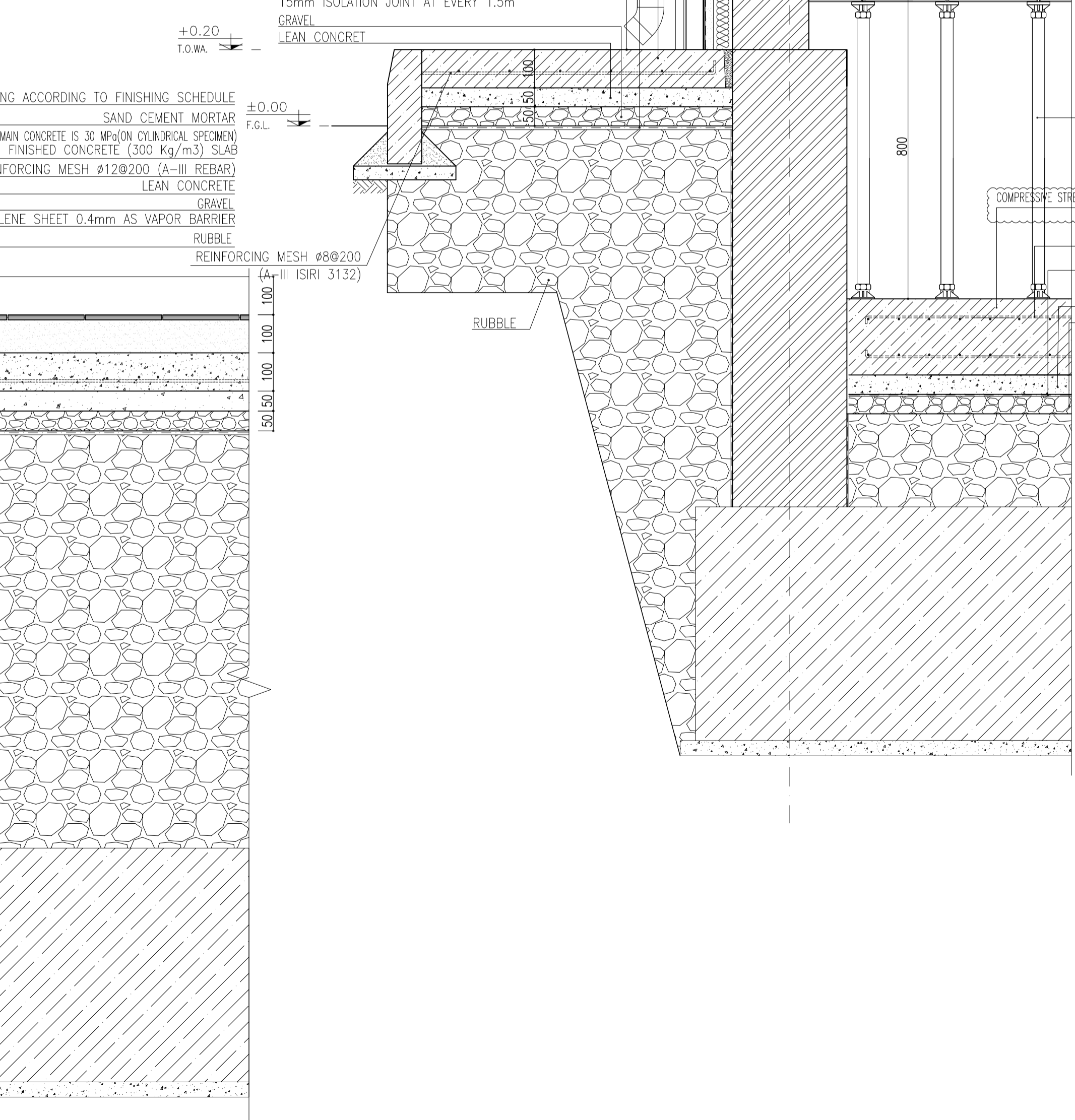
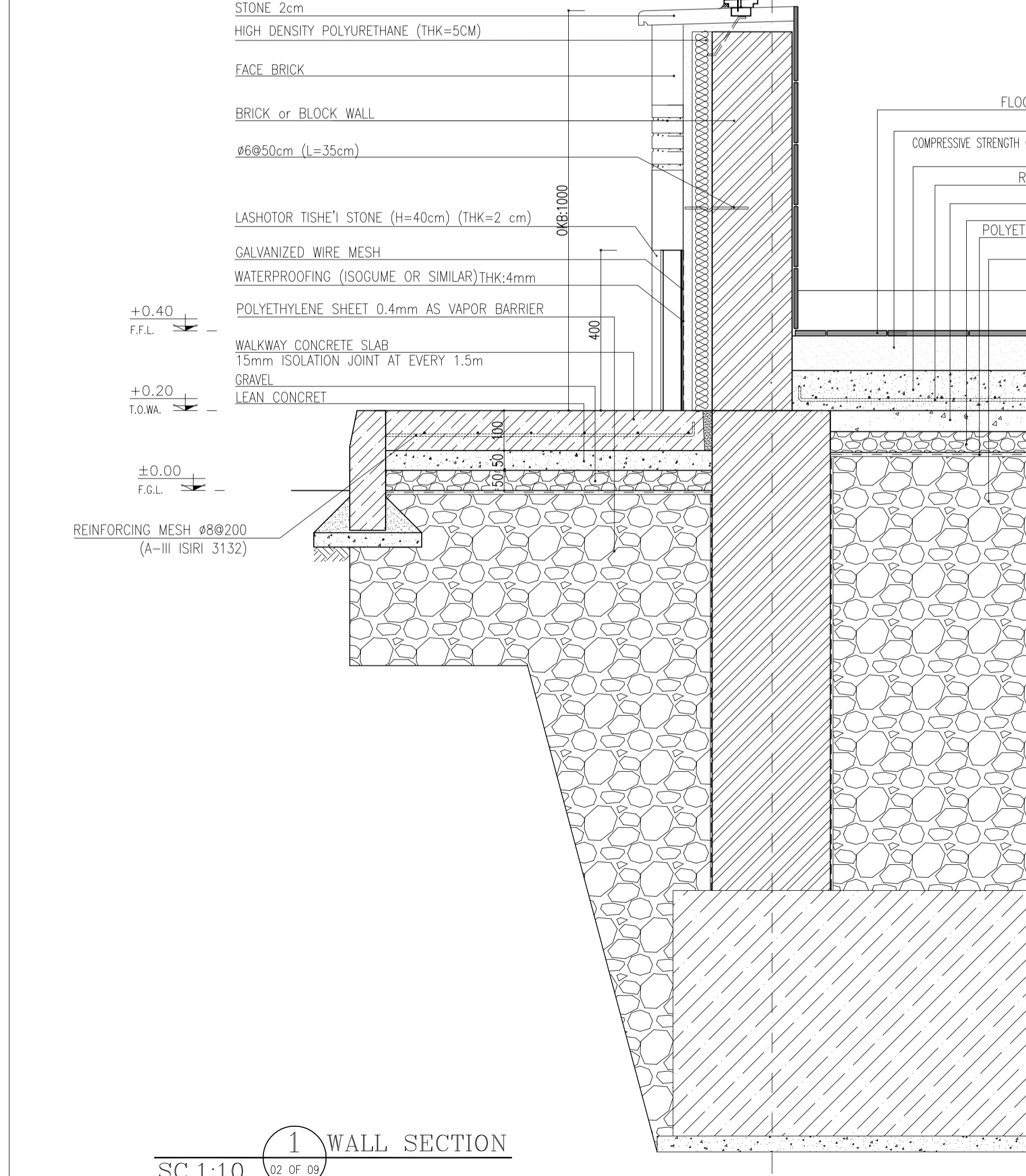
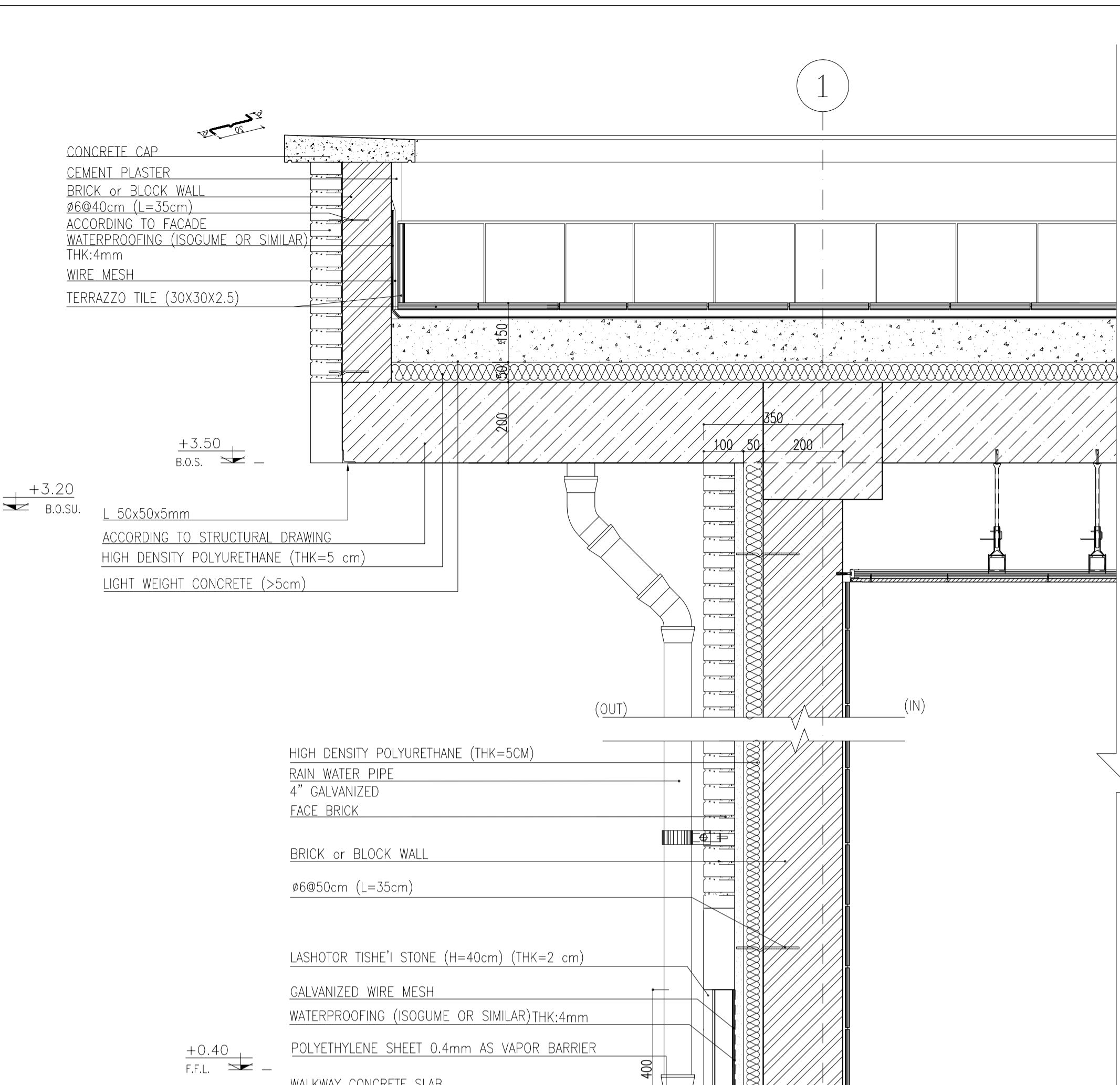
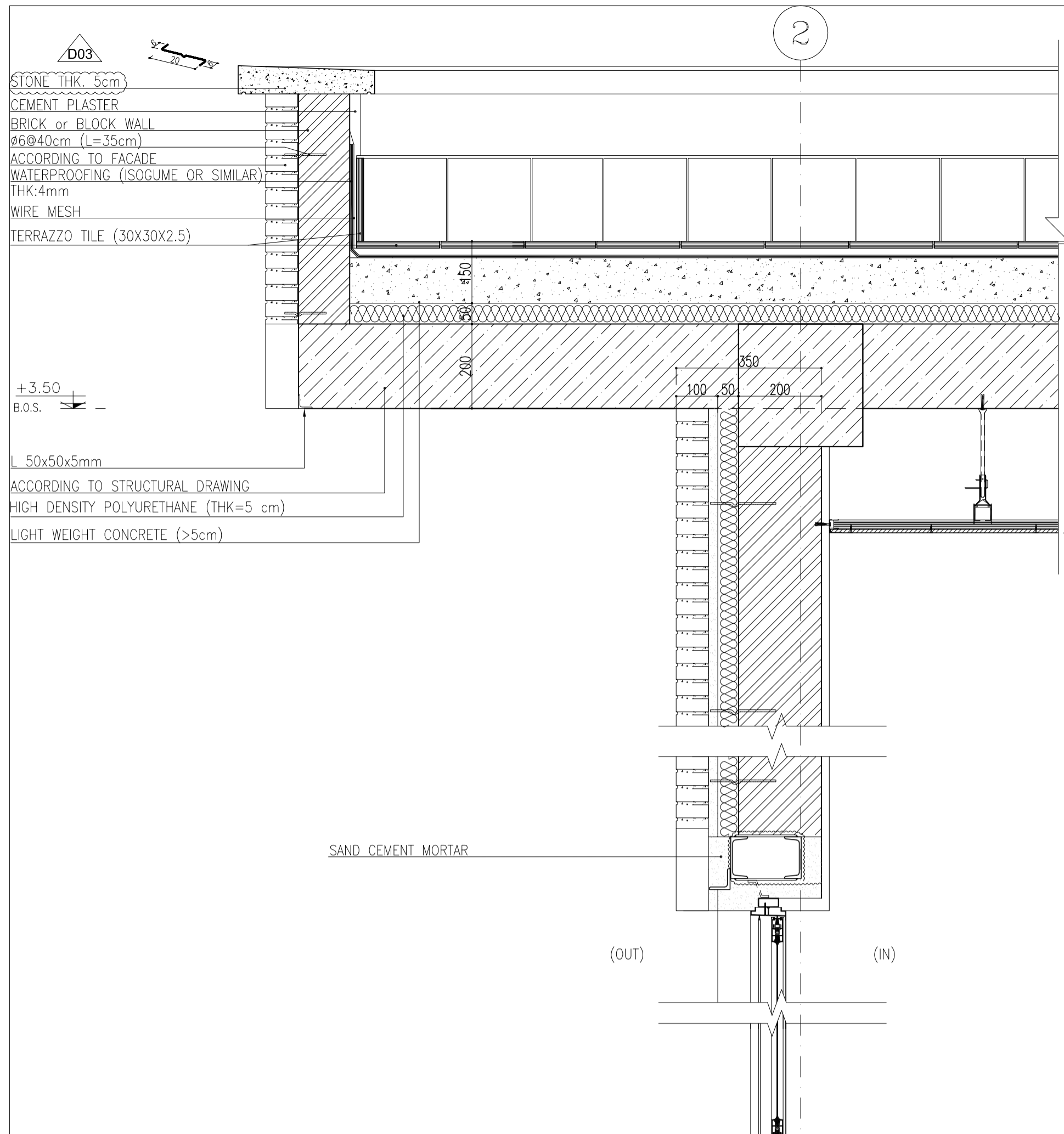
BINAK OILFIELD DEVELOPMENT SURFACE FACILITIES GAS COMPRESSOR STATION

DATE	SCALE	DRAWING BY	CHECKED BY	PROJECT ENG.

NO CONSTRUCTION PERMITTED UNLESS DRAWING APPROVED

APPROVED FOR CONSTRUCTION	BY:	DATE:

SCALE	SIZE	DRAWING NO.	SHEET NO.	REV.	BUDGET REF.	LOCATION	SIZE CLASS	SERIAL NO.	SHEET	REVISION
AS SHOWN	A1	BK-GCS-PEDCO-120-AR-DW-0010	04 OF 09	D03	053-073-9184	F	4	B	709398	04 OF 09 D03



2 WALL SECTION
SC.1:10 02 OF 09

NOTES

1. ALL DIMENSIONS ARE IN CENTIMETER & ALL ELEVATIONS ARE IN METER.
2. ALL DIMENSIONS AND ELEVATIONS SHALL BE CHECKED BY THE CONTRACTOR PRIOR TO CONSTRUCTION.
3. CONTRACTOR SHALL COMPARE ALL ARCHITECTURAL, MECHANICAL, ELECTRICAL, PIPING AND STRUCTURAL DRAWINGS AND IN CASE OF ANY CONFLICTS OR DISCREPANCY, INFORM THE ENGINEER.
4. ALL MATERIALS ARE SELECTED FROM THE HIGHEST QUALITY AND MUST BE APPROVED BY THE CLIENT.
5. ALL OPENINGS FOR PIPING/CABLING AND HVAC OPENINGS SHALL BE CONSIDERED AS PER RELATED DRAWINGS BEFORE CONSTRUCTION.
6. FINISH GRADING LEVEL IS EQUIVALENT=±0.00 LOCAL=+262.000 GLOBAL(M.S.L.).

LEGEND

REFERENCE DRAWING	DRG. No.
STANDARD DRAWING FOR ARCHITECTURAL DETAILS	BK-GNRL-PEDCO-000-AR-DW-0001
SITE SEWERAGE SYSTEM LAYOUT & DETAILS	BK-GCS-PEDCO-120-CV-PY-0001
CABLE TRENCH AND DUCT BANK LAYOUT	BK-GCS-PEDCO-120-CV-PY-0002
ROAD, PAVING AND PLANT FINISH GRADING LAYOUT & SECTIONS	BK-GCS-PEDCO-120-CV-PY-0005
ELECTRICAL CABLE ROUTE & SECTION LAYOUT FOR BUILDING & SHELTER	BK-GCS-PEDCO-120-EL-PY-0006
FOUNDATION DRAWING FOR CCTV RACK ROOM- BINAK PU	BK-GCS-PEDCO-120-ST-DW-0079
STRUCTURAL DRAWING FOR CCTV RACK ROOM- BINAK PU	BK-GCS-PEDCO-120-ST-DW-0080
STANDARD DETAILS FOR LADDER & SAFETY CAGE	BK-GNRL-PEDCO-000-ST-DW-0009

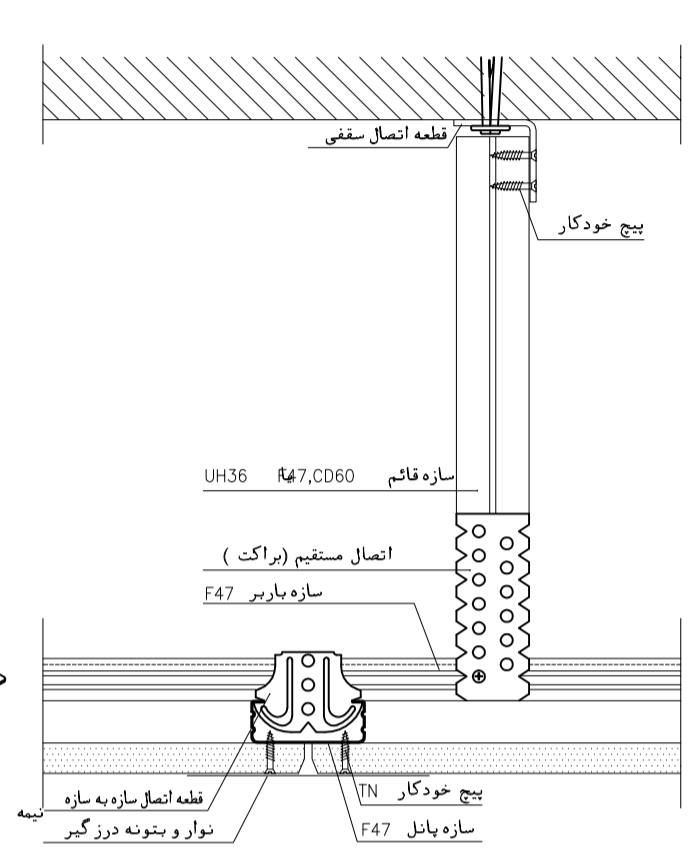
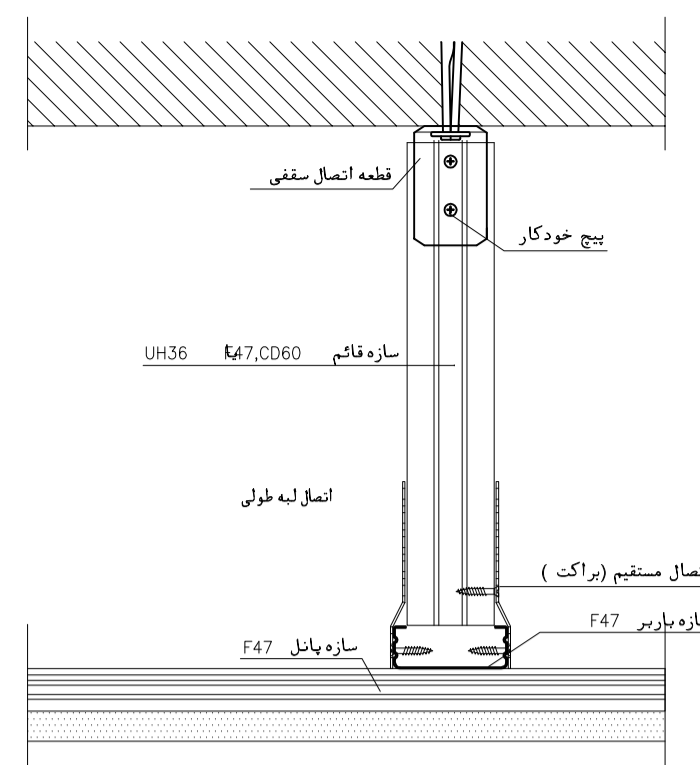
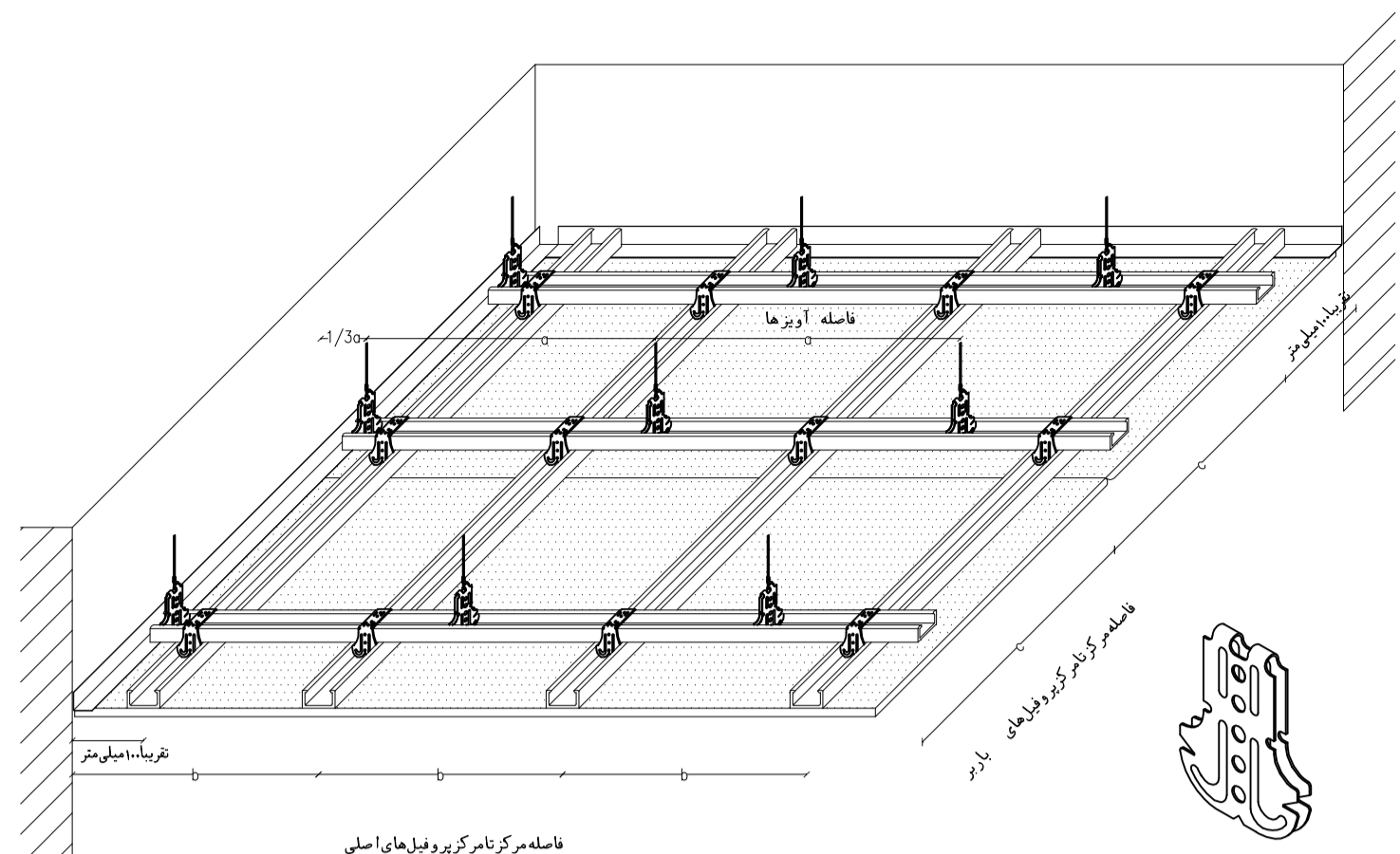
KEY PLAN

REV.	DATE	DESCRIPTION	BY	DATE	BY	DATE
D03	NOV.2023	AFC	R.BERLOUIE	M.FAKHARIAN	S.Paramaraspour	**
D02	AUG.2023	IFA	R.BERLOUIE	M.FAKHARIAN	A.M.MOHSSENI	**
D01	MAY.2023	IFA	R.BERLOUIE	M.FAKHARIAN	A.M.MOHSSENI	**
D00	AUG.2022	IFC	R.BERLOUIE	M.FAKHARIAN	M.MEHRSHAD	**

REV.	DATE	DESCRIPTION	BY	DATE	BY	DATE
REV.	DATE	DESCRIPTION	BY	DATE	BY	DATE

<p>اسم و کلیه نسخ این نقشه و حق اقتباس متعلق به شرکت ملی مناطق نفت خیز جنوب میباشد.</p> <p>THE ORIGINAL AND ALL COPIES OF THIS DRAWING TOGETHER WITH THE COPYRIGHT THEREIN ARE THE SOLE PROPERTY OF N.I.S.O.C./ FIELDS</p>											
<p>PROJECT NAME: BINAK OILFIELD DEVELOPMENT/SURFACE FACILITIES GAS COMPRESSOR STATION</p>											
<p>PROJECT NO.: 971020</p>											
<p>EPC CONTRACTOR:</p> <p>HIRGAN ENERGY - DESIGN & INSPECTION COMPANIES</p>			<p>EPD/EPC CONTRACTOR (GC):</p> <p>PETROIRAN DEVELOPMENT COMPANY</p>								
<p>DRAWING TITLE: Architectural Drawing For CCTV Rack Room- Binak PU WALL SECTIONS</p>											
<p>NO CONSTRUCTION PERMITTED UNLESS DRAWING APPROVED</p>											
<p>APPROVED FOR CONSTRUCTION</p>			<p>BY: DATE:</p>								
SCALE	SIZE	DRAWING NO.	SHEET NO.	REV.	BUDGET REF.	LOCATION	SIZE	CLASS	SERIAL NO.	SHEET	REVISION
AS SHOWN	A1	BK-GCS-PEDCO-120-AR-DW-0010	05 OF 09	D03	053-073-9184	F	4	B	709398	05 OF 09	D03

1 WALL SECTION
SC.1:10 02 OF 09

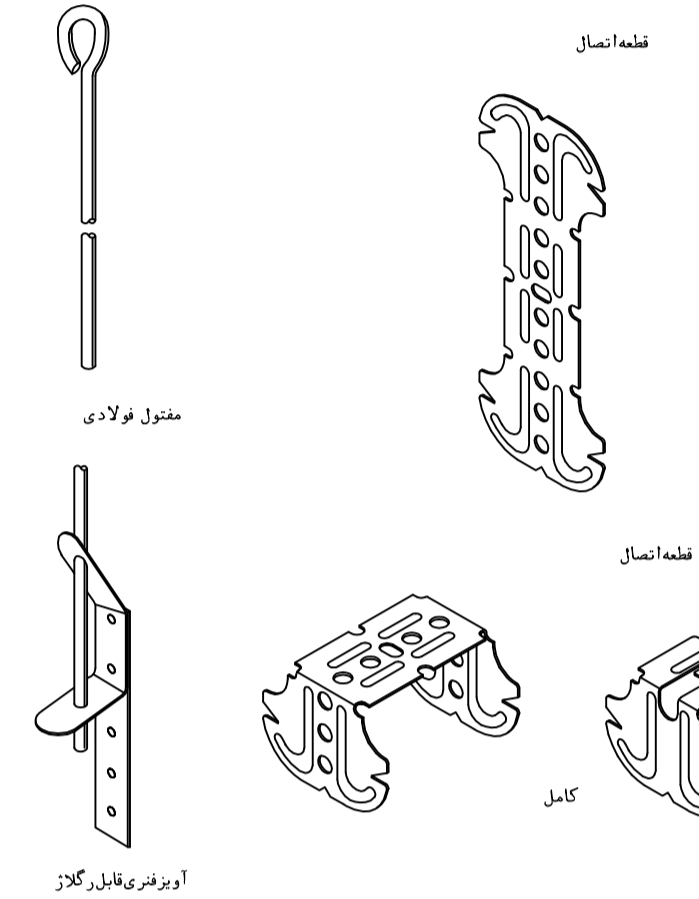


انبار و مخازن ایستگاه ارتقا داری مختلف (در ۱۸ متری)

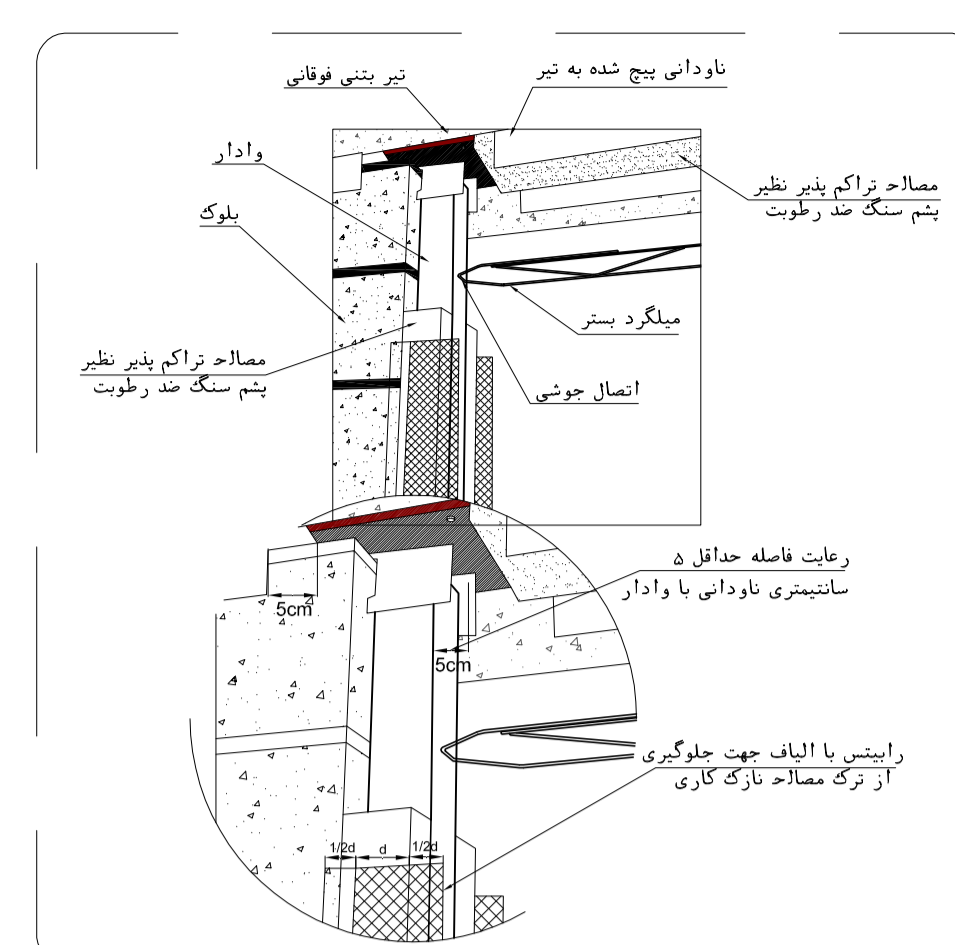
نوع ضخامت	ضخامت	فاصله بین پرونده های متقاطع به میله متر
روکش دار گچی	mm	فاصله بین پرونده های متقاطع به میله متر
سخته مسونی	12.5, 15, 18	400

فواصل در زیر سازی فلزی حداکثر دهانه (که میله متر) بار سطحی P (KN/M²)

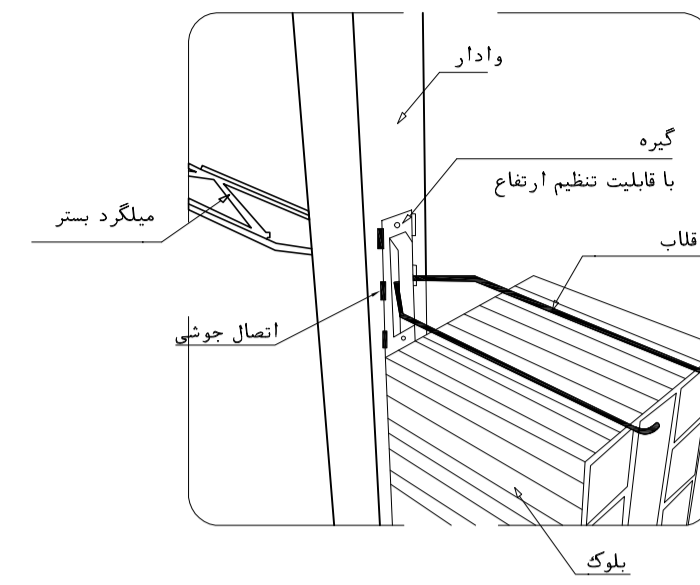
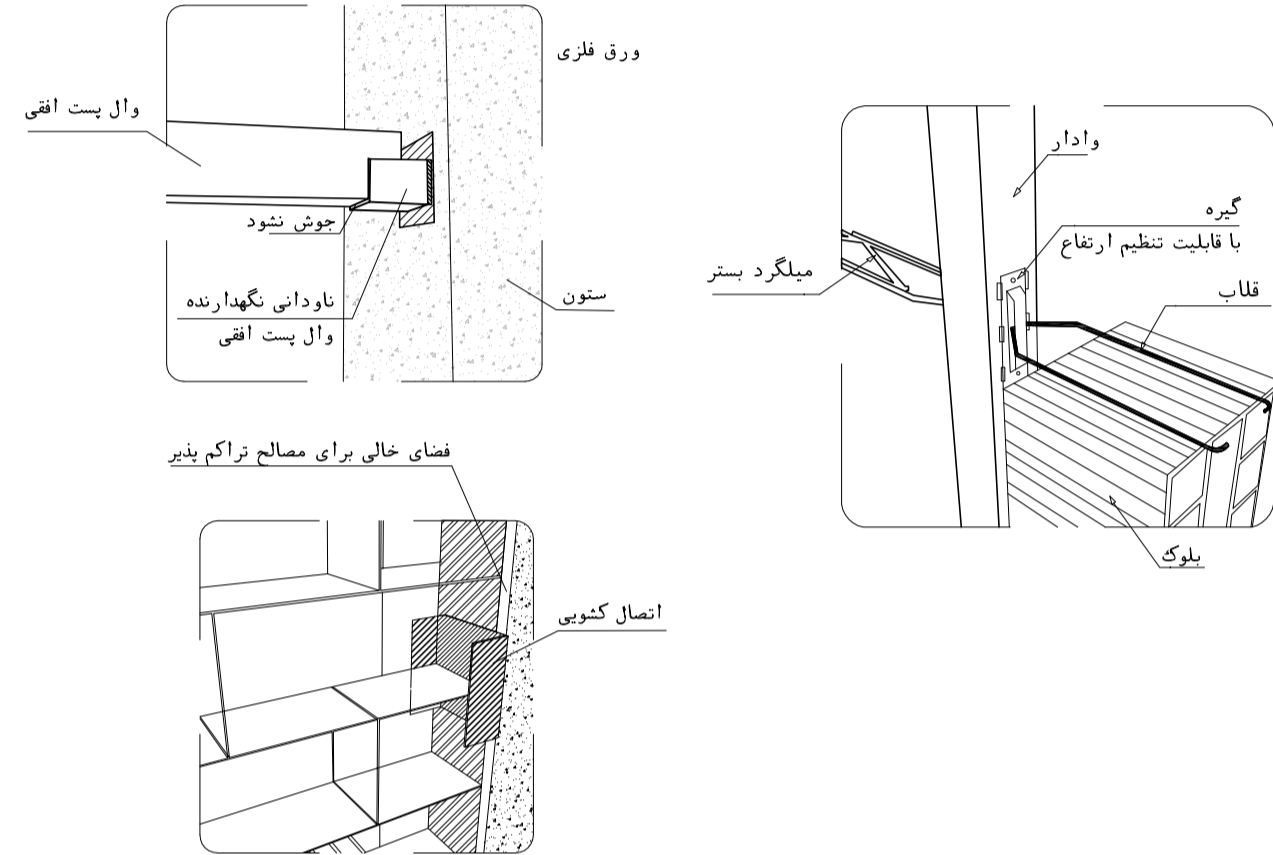
فاصله آویزها -0-	0.30 < P < 0.50	0.15 < P < 0.30	P < 0.15
فاصله مرکز تا مرکز پرونده های باربر	600	750	900
پرونده های باربر	750	1000	



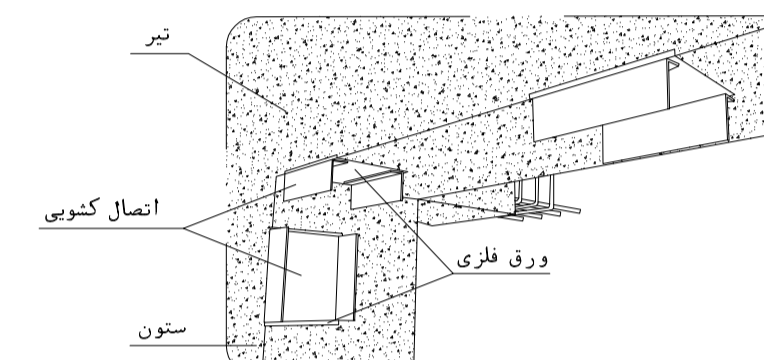
DETAIL FALSE ROOF SC. N.T.S



اجرای عایق پشم سنگ و مش الیاف یا رابطین بر روی وادار



میلگرد بستر در فاصله بین وادارها و اتصال آن به وادار



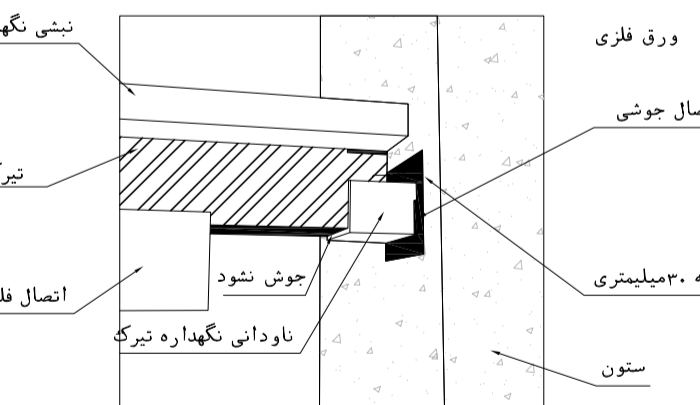
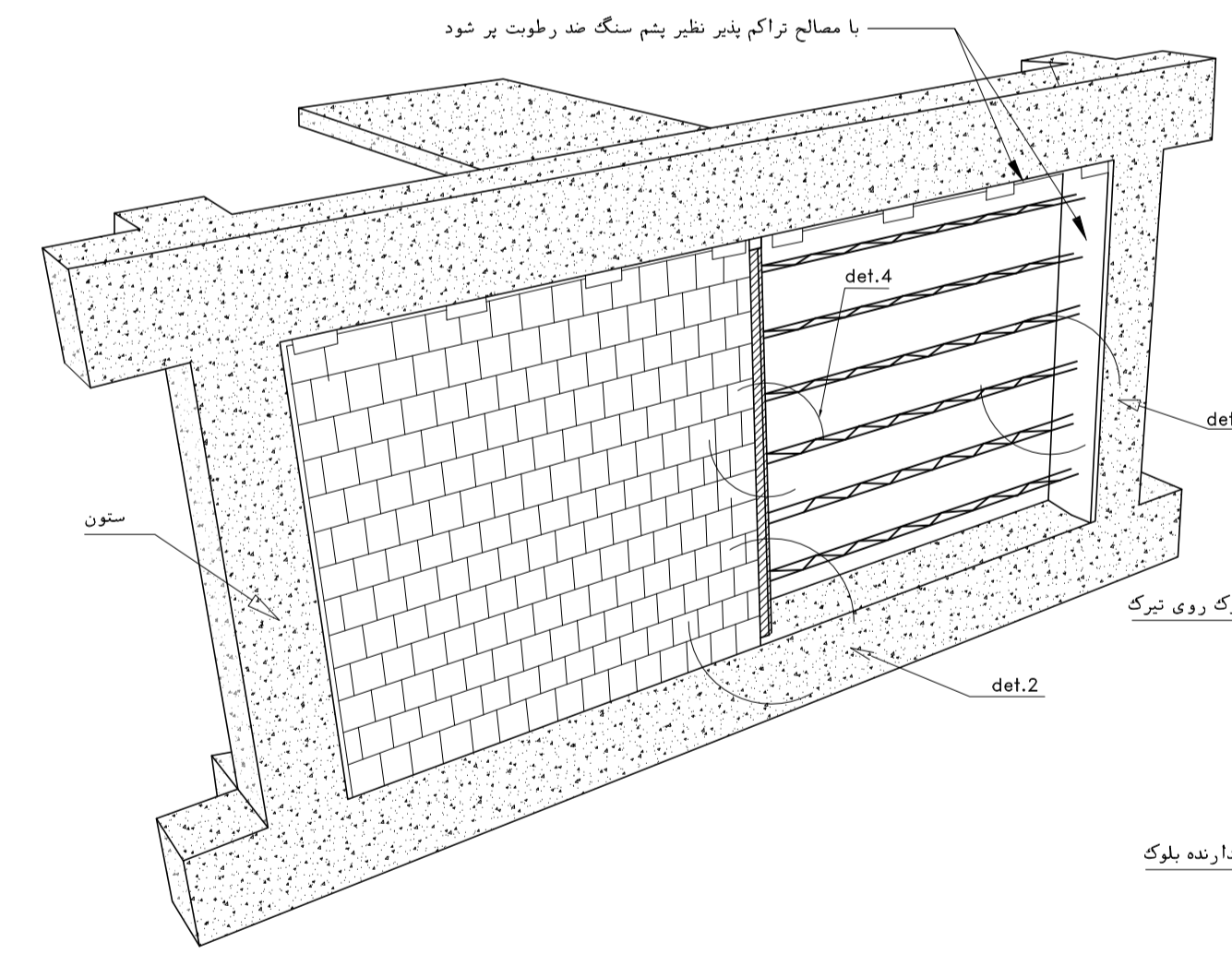
NOTES

1. ALL DIMENSIONS ARE IN CENTIMETER & ALL ELEVATIONS ARE IN METER.
2. ALL DIMENSIONS AND ELEVATIONS SHALL BE CHECKED BY THE CONTRACTOR PRIOR TO CONSTRUCTION.
3. CONTRACTOR SHALL COMPARE ALL ARCHITECTURAL, MECHANICAL, ELECTRICAL, PIPING AND STRUCTURAL DRAWINGS AND IN CASE OF ANY CONFLICTS OR DISCREPANCY, INFORM THE ENGINEER.
4. ALL MATERIALS ARE SELECTED FROM THE HIGHEST QUALITY AND MUST BE APPROVED BY THE CLIENT.
5. ALL OPENINGS FOR PIPING/CABLING AND HVAC OPENINGS SHALL BE CONSIDERED AS PER RELATED DRAWINGS BEFORE CONSTRUCTION.
6. FINISH GRADING LEVEL IS EQUIVALENT=±0.00 LOCAL=+262.000 GLOBAL(M.S.L.).

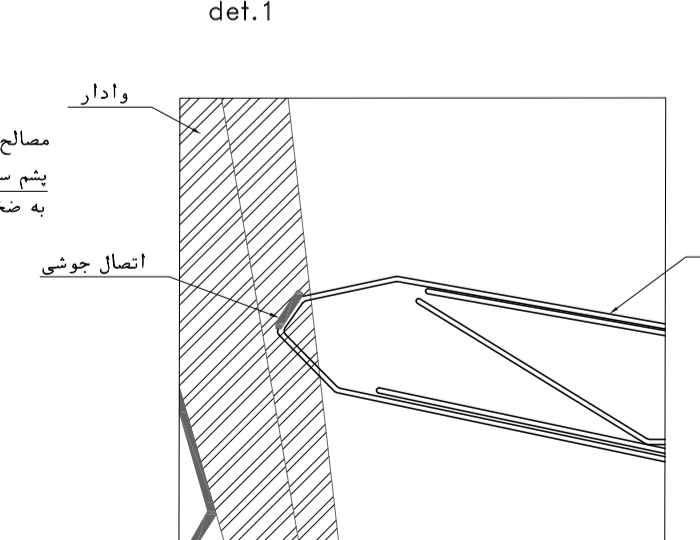
LEGEND

REFERENCE DRAWING	DRG. No.
STANDARD DRAWING FOR ARCHITECTURAL DETAILS	BK-GNRL-PEDCO-000-AR-DW-0001
SITE SEWERAGE SYSTEM LAYOUT & DETAILS	BK-GCS-PEDCO-120-CV-PY-0001
CABLE TRENCH AND DUCT BANK LAYOUT	BK-GCS-PEDCO-120-CV-PY-0002
ROAD, PAVING AND PLANT FINISH GRADING LAYOUT & SECTIONS	BK-GCS-PEDCO-120-CV-PY-0005
ELECTRICAL CABLE ROUTE & SECTION LAYOUT FOR BUILDING & SHELTER	BK-GCS-PEDCO-120-EL-PY-0006
FOUNDATION DRAWING FOR CCTV RACK ROOM- BINAK PU	BK-GCS-PEDCO-120-ST-DW-0079
STRUCTURAL DRAWING FOR CCTV RACK ROOM- BINAK PU	BK-GCS-PEDCO-120-ST-DW-0080
STANDARD DETAILS FOR LADDER & SAFETY CAGE	BK-GNRL-PEDCO-000-ST-DW-0009

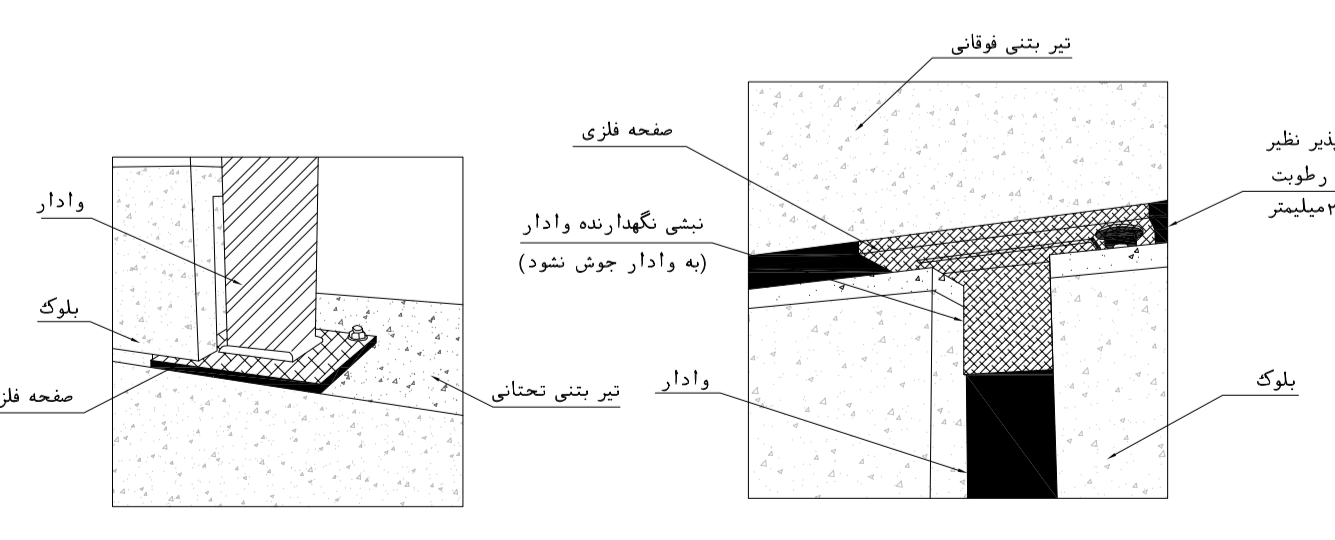
KEY PLAN



جزئیات اتصال تیرک به ستون بتنی

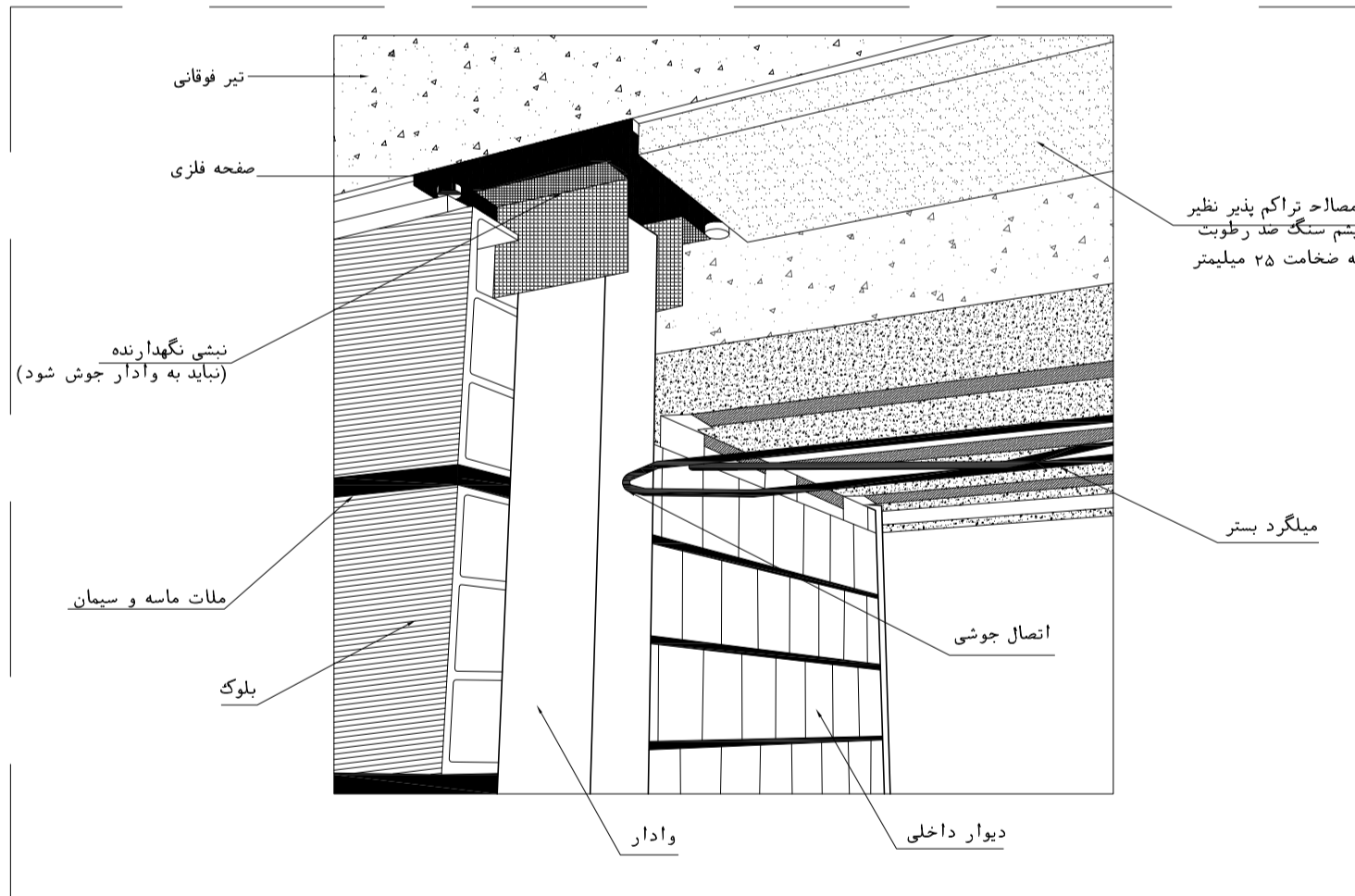


جزئیات اتصال میلگرد بستر به وادار

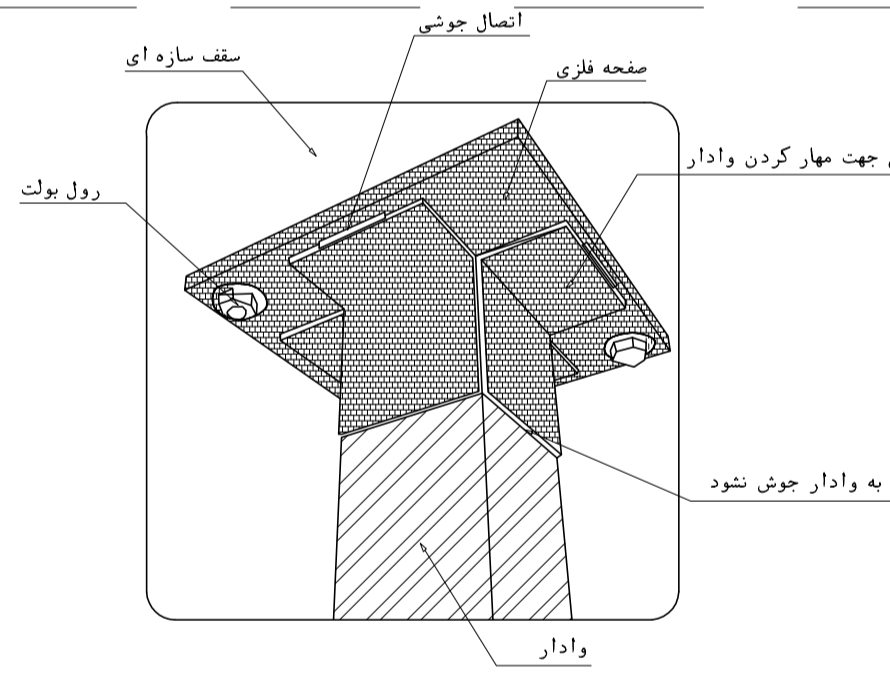


جزئیات اتصال وادار به زیر تیر فوقانی

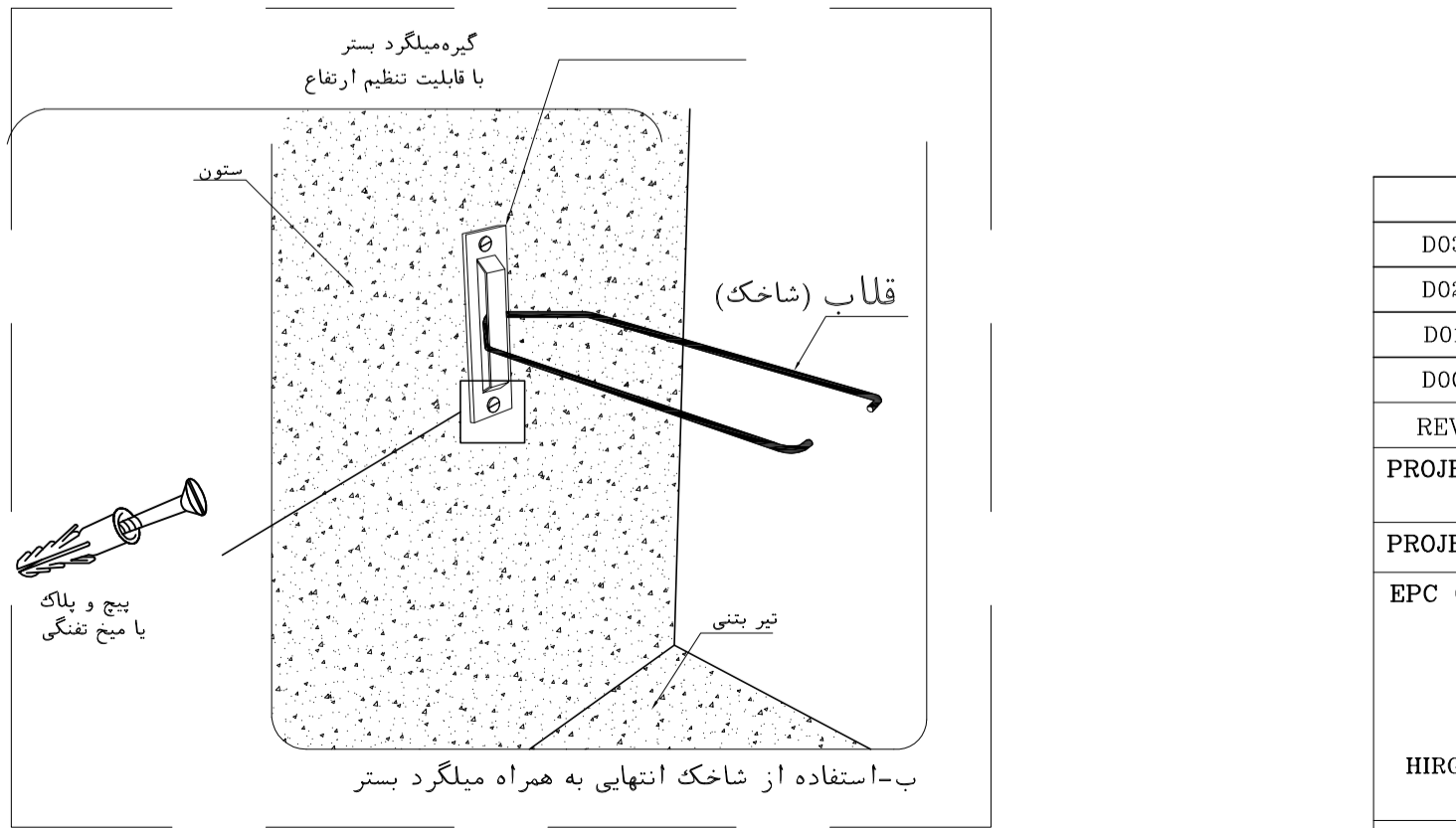
جزئیات اتصال وادار میانی روی تیر تحتانی



الف-به صورت اتصال کنوسی یا استفاده از نشی



انصال وادار انتهایی در دیوار های خارج از قاب به صورت نلسکویی



روش های مهار دیوار به ستون جهت نیروی خارج از صفحه

REV.	DATE	DESCRIPTION	BY	DATE	BY	DATE
D03	NOV.2023	AFC	R.BERLOUIE	M.FAKHARIAN	S.Paramarpoor	** **
D02	AUG.2023	IFA	R.BERLOUIE	M.FAKHARIAN	A.M.MOHSANI	** **
D01	MAY.2023	IFA	R.BERLOUIE	M.FAKHARIAN	A.M.MOHSANI	** **
D00	AUG.2022	IFC	R.BERLOUIE	M.FAKHARIAN	M.MEHRSHAD	** **

REV.	DATE	DESCRIPTION	BY	DATE	BY	DATE
REV. <td>DATE</td> <td>DESCRIPTION</td> <td>PREP.</td> <td>CHK.</td> <td>APP.</td> <td>AUT.</td>	DATE	DESCRIPTION	PREP.	CHK.	APP.	AUT.

SCALE	SIZE	DRAWING NO.	SHEET NO.	REV.	BUDGET REF.	LOCATION	SIZE CLASS	SERIAL NO.	SHEET	REVISION
AS SHOWN	A1	BK-GCS-PEDCO-120-AR-DW-0010	06 OF 09	D03	053-073-9184	F	4	B	709398	06 OF 09

اصل و کلیه نسخ این نقشه و حق اقتباس متعلق به شرکت ملی مناطق نفت خیز جنوب میباشد.

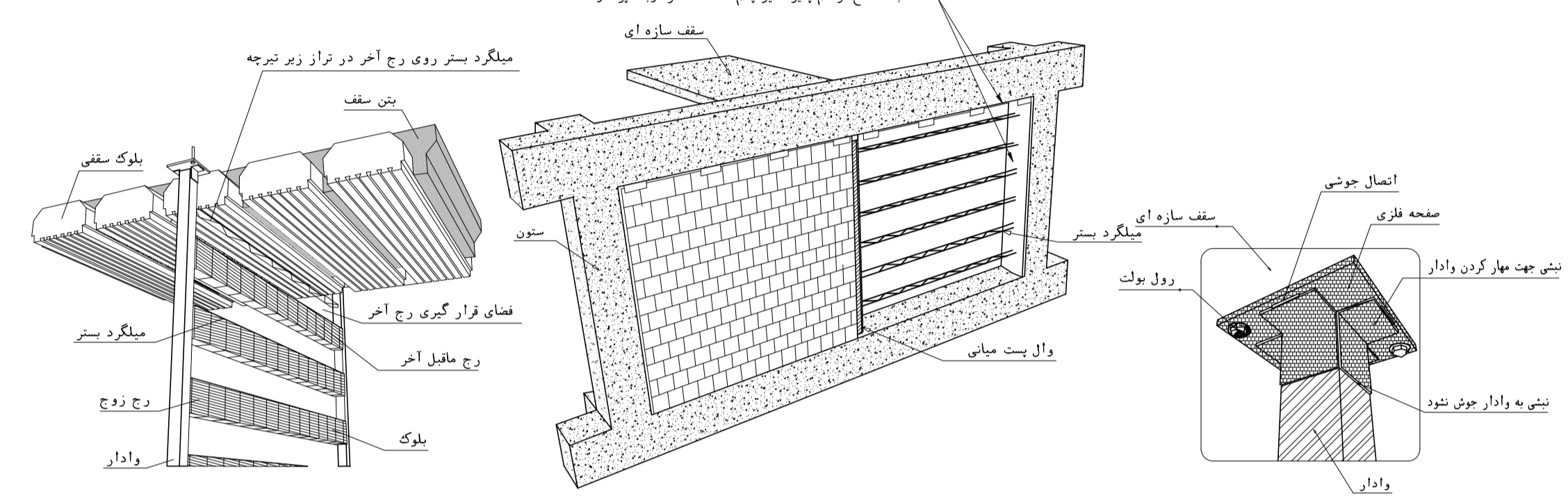
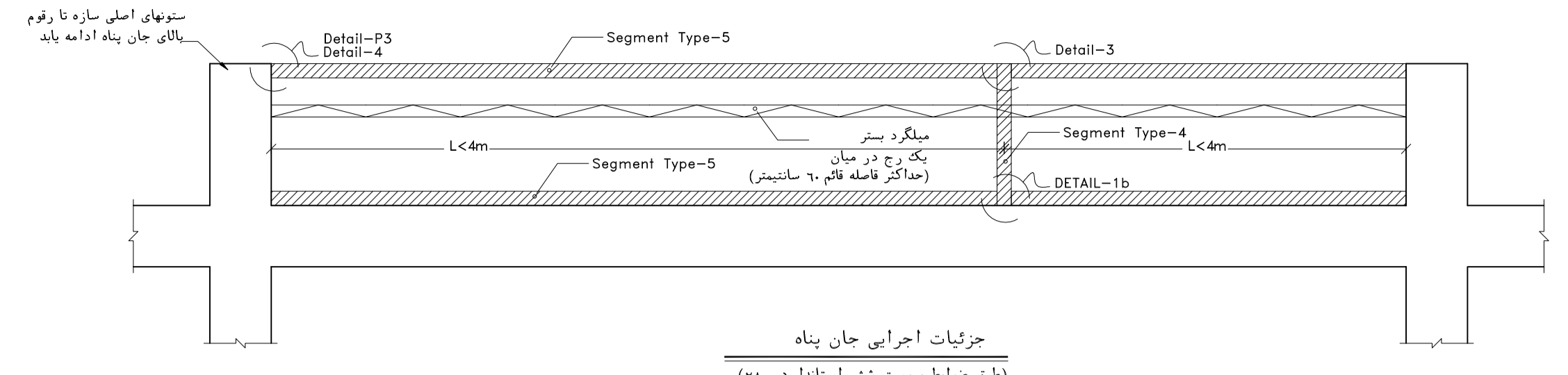
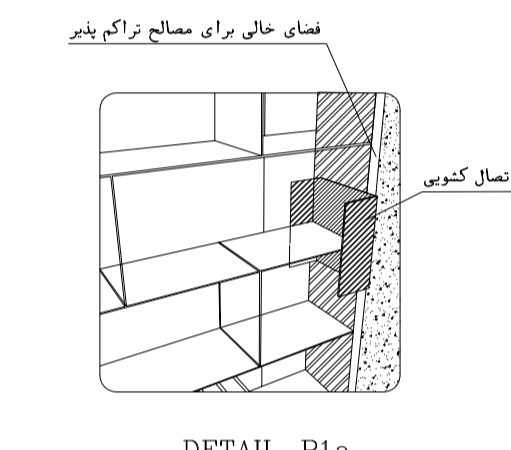
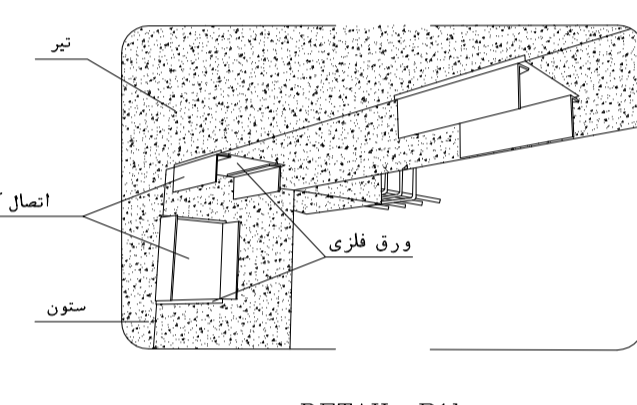
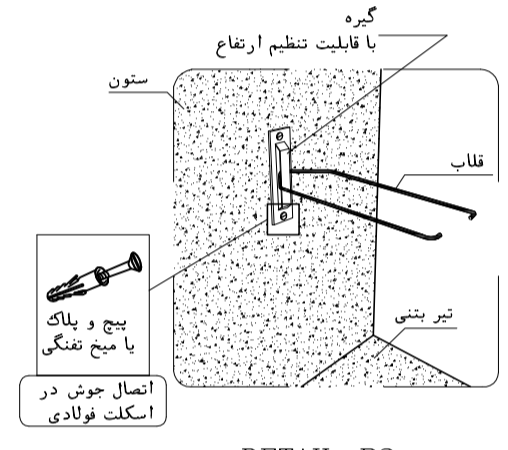
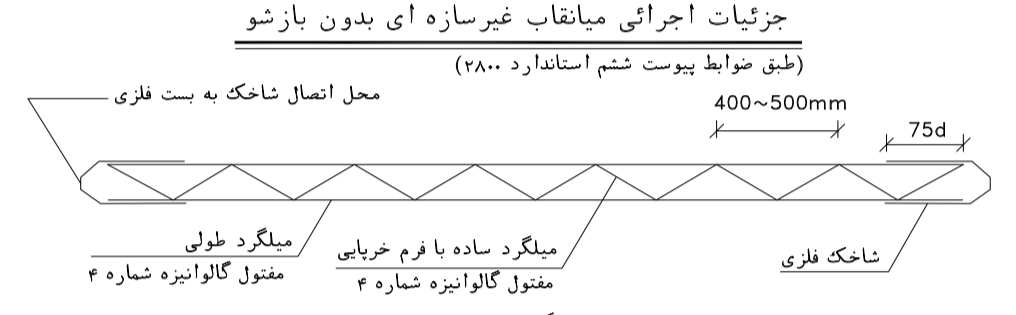
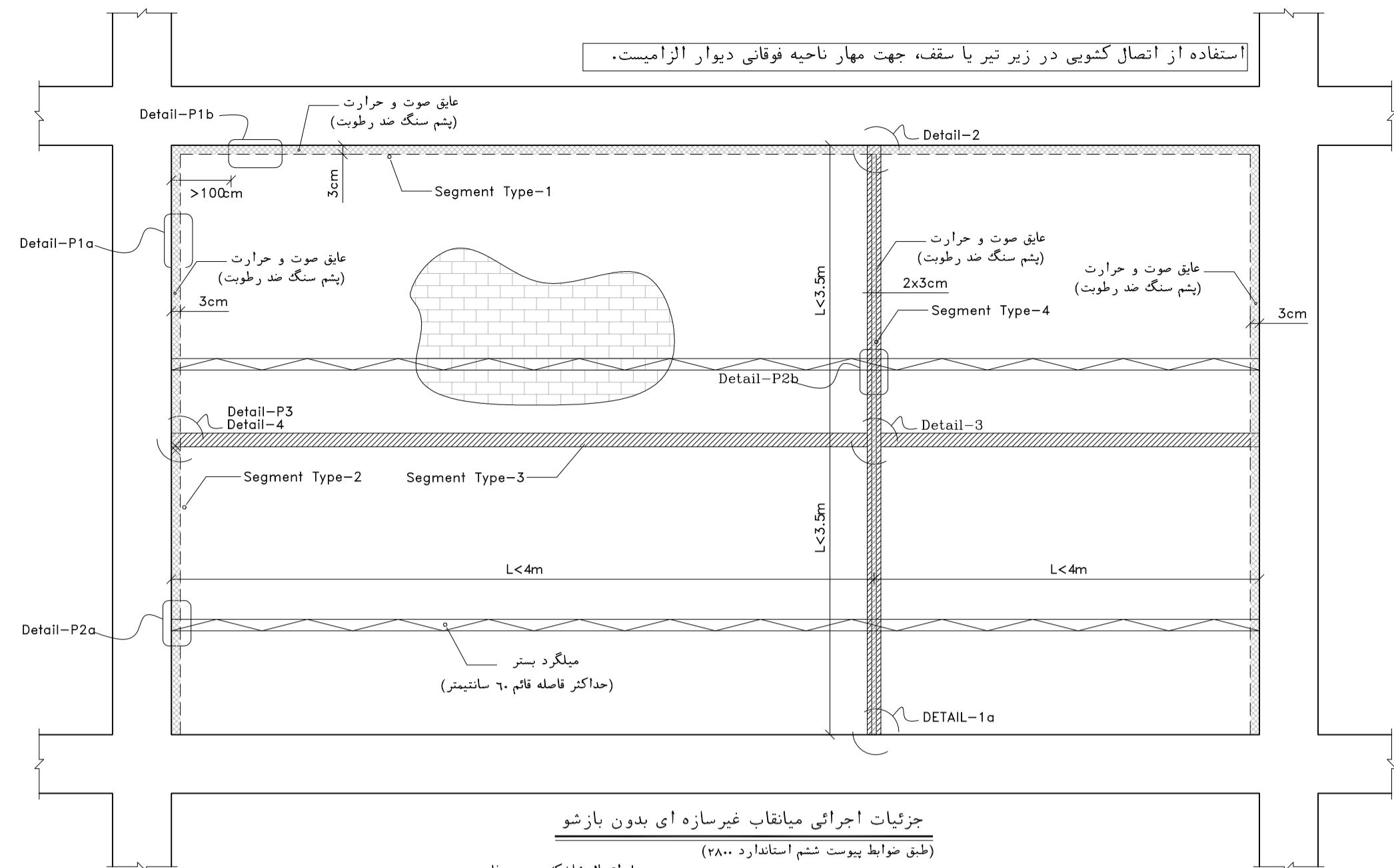
THE ORIGINAL AND ALL COPIES OF THIS DRAWING TOGETHER WITH THE COPYRIGHT THEREIN ARE THE SOLE PROPERTY OF N.I.S.O.C./ FIELDS

BINAK OILFIELD DEVELOPMENT SURFACE FACILITIES GAS COMPRESSOR STATION

DATE	SCALE	DRAWING BY	CHECKED BY	PROJECT ENG.

NO CONSTRUCTION PERMITTED UNLESS DRAWING APPROVED

APPROVED FOR CONSTRUCTION	BY:	DATE:



دیوار مسلح شده به میلگرد بستر (دیوارهای خارج از قاب)

دیوار مسلح شده به میلگرد بستر (دیوار داخل قاب)

انصال وادار انتهایی در دیوارهای خارج از قاب به صورت نلکشویی

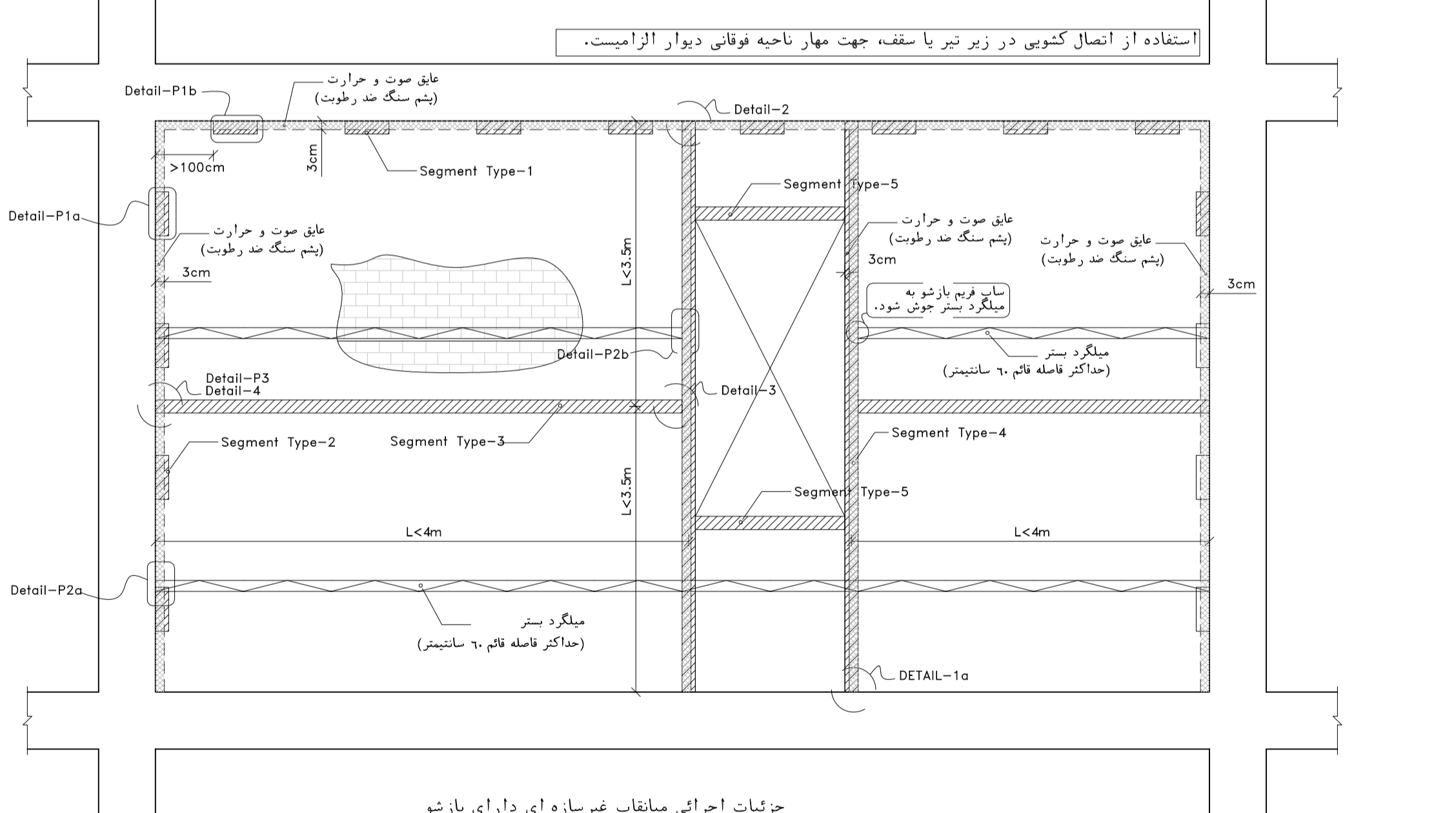
NOTES

- ALL DIMENSIONS ARE IN CENTIMETER & ALL ELEVATIONS ARE IN METER.
- ALL DIMENSIONS AND ELEVATIONS SHALL BE CHECKED BY THE CONTRACTOR PRIOR TO CONSTRUCTION.
- CONTRACTOR SHALL COMPARE ALL ARCHITECTURAL, MECHANICAL, ELECTRICAL, PIPING AND STRUCTURAL DRAWINGS AND IN CASE OF ANY CONFLICTS OR DISCREPANCY, INFORM THE ENGINEER.
- ALL MATERIALS ARE SELECTED FROM THE HIGHEST QUALITY AND MUST BE APPROVED BY THE CLIENT.
- ALL OPENINGS FOR PIPING/CABLING AND HVAC OPENINGS SHALL BE CONSIDERED AS PER RELATED DRAWINGS BEFORE CONSTRUCTION.
- FINISH GRADING LEVEL IS EQUIVALENT=±0.00 LOCAL=+262.000 GLOBAL(M.S.L.).

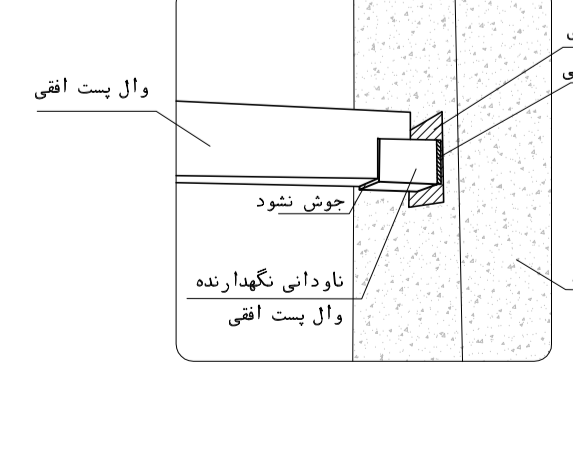
LEGEND

REFERENCE DRAWING	DRG. No.
STANDARD DRAWING FOR ARCHITECTURAL DETAILS	BK-GNRL-PEDCO-000-AR-DW-0001
SITE SEWERAGE SYSTEM LAYOUT & DETAILS	BK-GCS-PEDCO-120-CV-PY-0001
CABLE TRENCH AND DUCT BANK LAYOUT	BK-GCS-PEDCO-120-CV-PY-0002
ROAD, PAVING AND PLANT FINISH GRADING LAYOUT & SECTIONS	BK-GCS-PEDCO-120-CV-PY-0005
ELECTRICAL CABLE ROUTE & SECTION LAYOUT FOR BUILDING & SHELTER	BK-GCS-PEDCO-120-EL-PY-0006
FOUNDATION DRAWING FOR CCTV RACK ROOM- BINAK PU	BK-GCS-PEDCO-120-ST-DW-0079
STRUCTURAL DRAWING FOR CCTV RACK ROOM- BINAK PU	BK-GCS-PEDCO-120-ST-DW-0080
STANDARD DETAILS FOR LADDER & SAFETY CAGE	BK-GNRL-PEDCO-000-ST-DW-0009

KEY PLAN



جزئیات اجرایی میانقاب غیرسازه ای دارای باز شو (طبق ضوابط پیوست ششم استاندارد ۲۸۰۰)



جزئیات اجرایی میانقاب غیرسازه ای دارای باز شو (طبق ضوابط پیوست ششم استاندارد ۲۸۰۰)

جزئیات اجرایی میانقاب غیرسازه ای دارای باز شو (طبق ضوابط پیوست ششم استاندارد ۲۸۰۰)

REV.	DESCRIPTION	BY	DATE	CHECKED	REV. APPR.					
D03	NOV. 2023	AFC	R.BERLOUIE	M.FAKHARIAN	S.Paramaraspour					
D02	AUG. 2023	IFA	R.BERLOUIE	M.FAKHARIAN	A.M.MOHSSENI					
D01	MAY. 2023	IFA	R.BERLOUIE	M.FAKHARIAN	A.M.MOHSSENI					
D00	AUG. 2022	IFC	R.BERLOUIE	M.FAKHARIAN	M.MEHRSHAD					
REV.	DATE	P.O.I.S	PREP.	CHK.	APP.	AUT.				
PROJECT NAME: BINAK OILFIELD DEVELOPMENT/SURFACE FACILITIES GAS COMPRESSOR STATION										
PROJECT NO.:		971020								
EPC CONTRACTOR:			EPD/EPC CONTRACTOR (GC):							
HIRGAN ENERGY - DESIGN & INSPECTION COMPANIES			PETROIRAN DEVELOPMENT COMPANY							
DRAWING TITLE: Architectural Drawing For CCTV Rack Room- Binak PU DETAILS										
SCALE	SIZE	DRAWING NO.	SHEET NO.	REV.	BUDGET REF.	LOCATION	SIZE CLASS	SERIAL NO.	SHEET	REVISION
AS SHOWN	A1	BK-GCS-PEDCO-120-AR-DW-0010	07 OF 09	D03	053-073-9184	F	4	B	709398	07 OF 09

اصل و کلیه نسخ این نقشه و حق اقتباس متعلق به شرکت ملی مناطق نفت خیز جنوب میباشد.

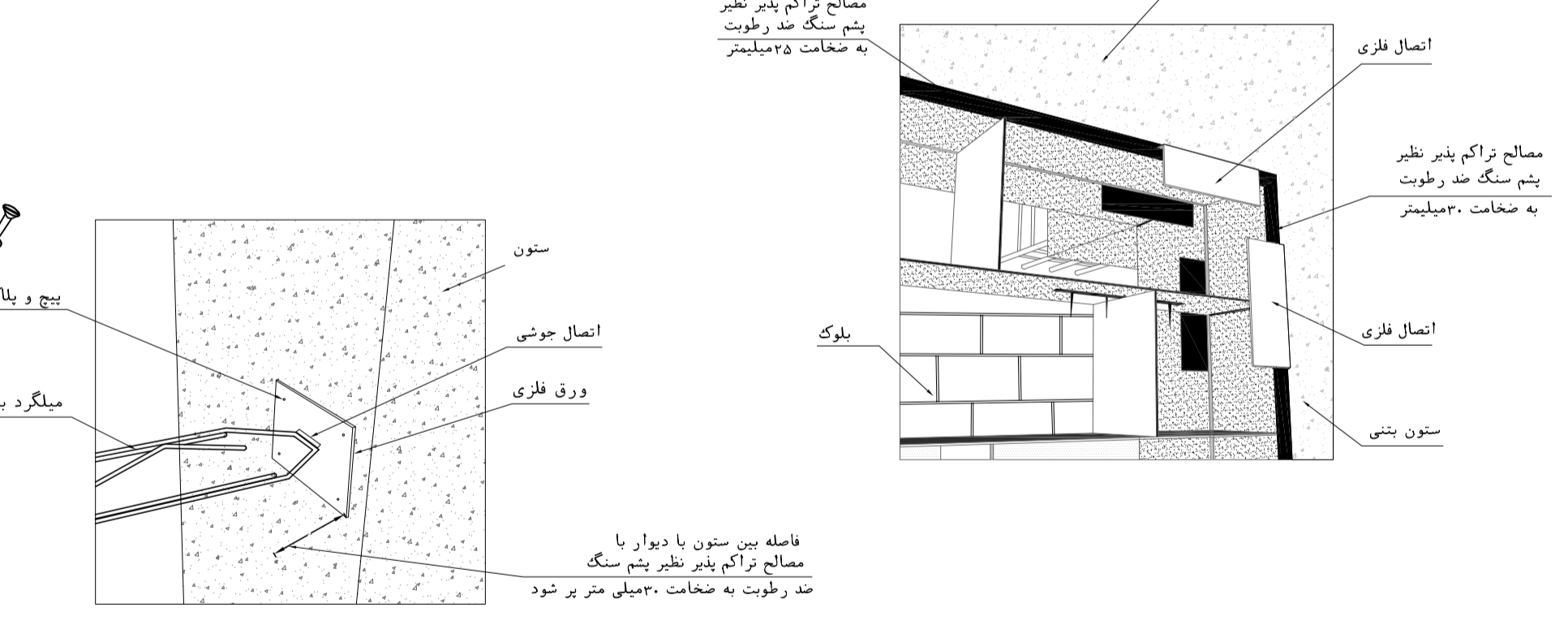
THE ORIGINAL AND ALL COPIES OF THIS DRAWING TOGETHER WITH THE COPYRIGHT THEREIN ARE THE SOLE PROPERTY OF N.I.S.O.C./ FIELDS

BINAK OILFIELD DEVELOPMENT SURFACE FACILITIES GAS COMPRESSOR STATION

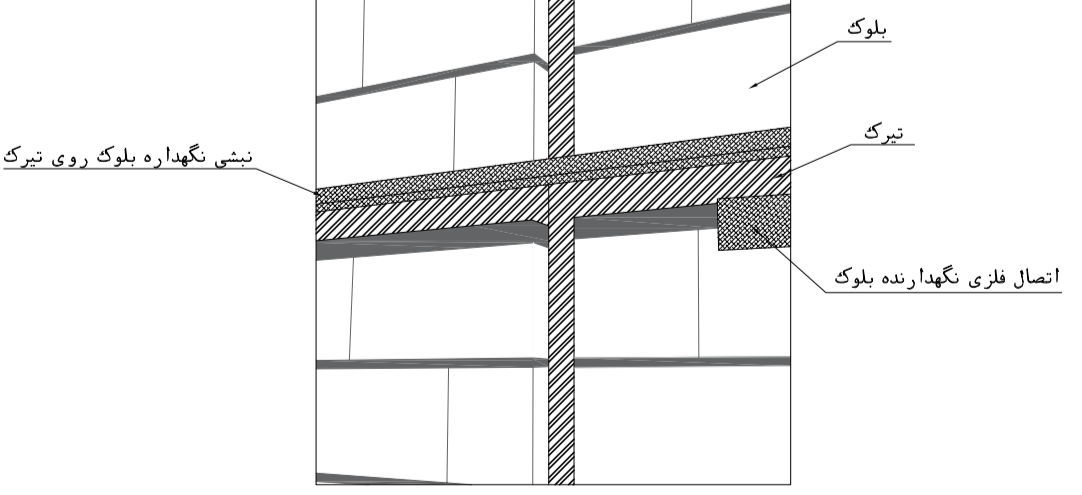
DATE	SCALE	DRAWING BY	CHECKED BY	PROJECT ENG.

NO CONSTRUCTION PERMITTED UNLESS DRAWING APPROVED

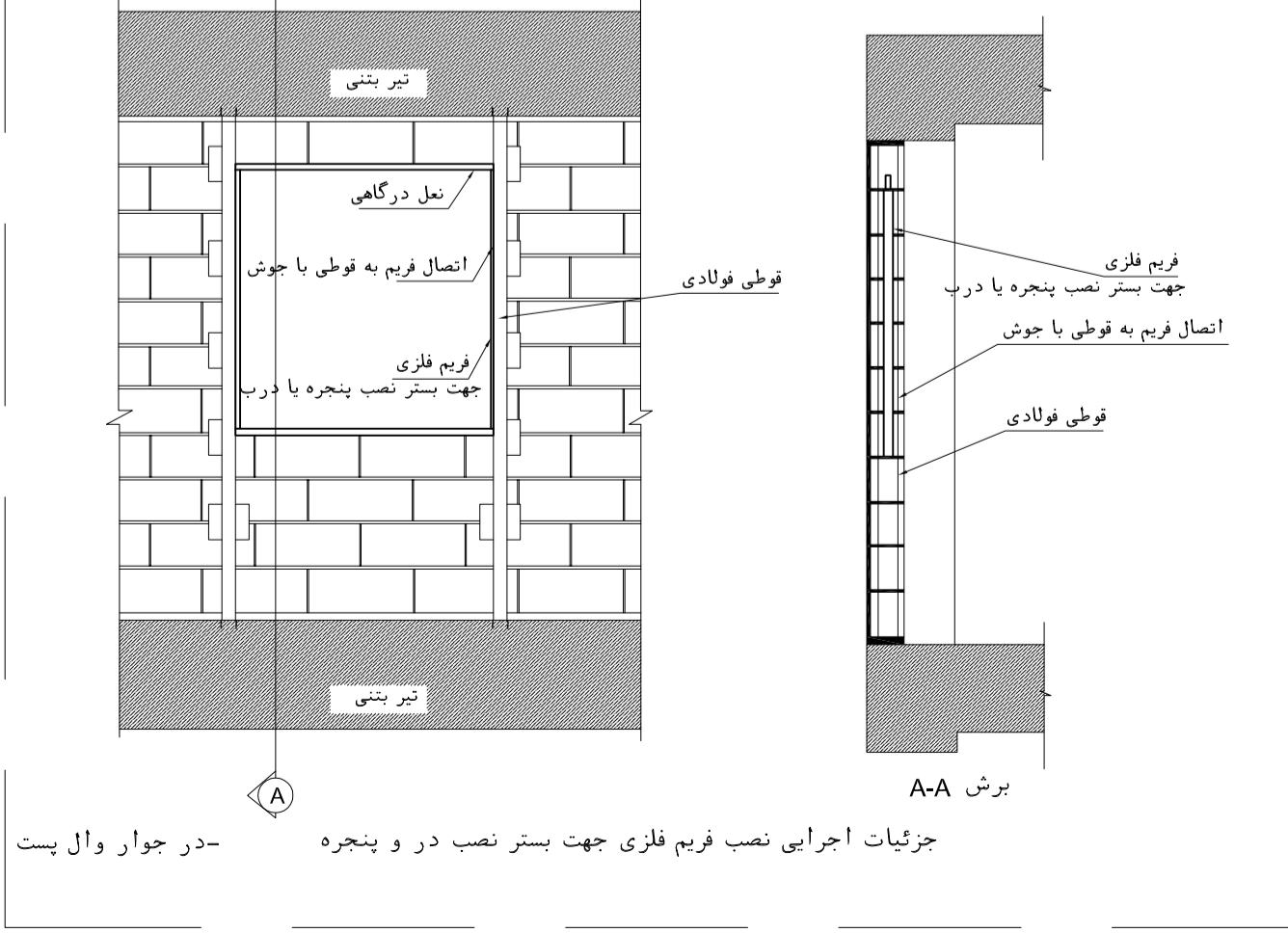
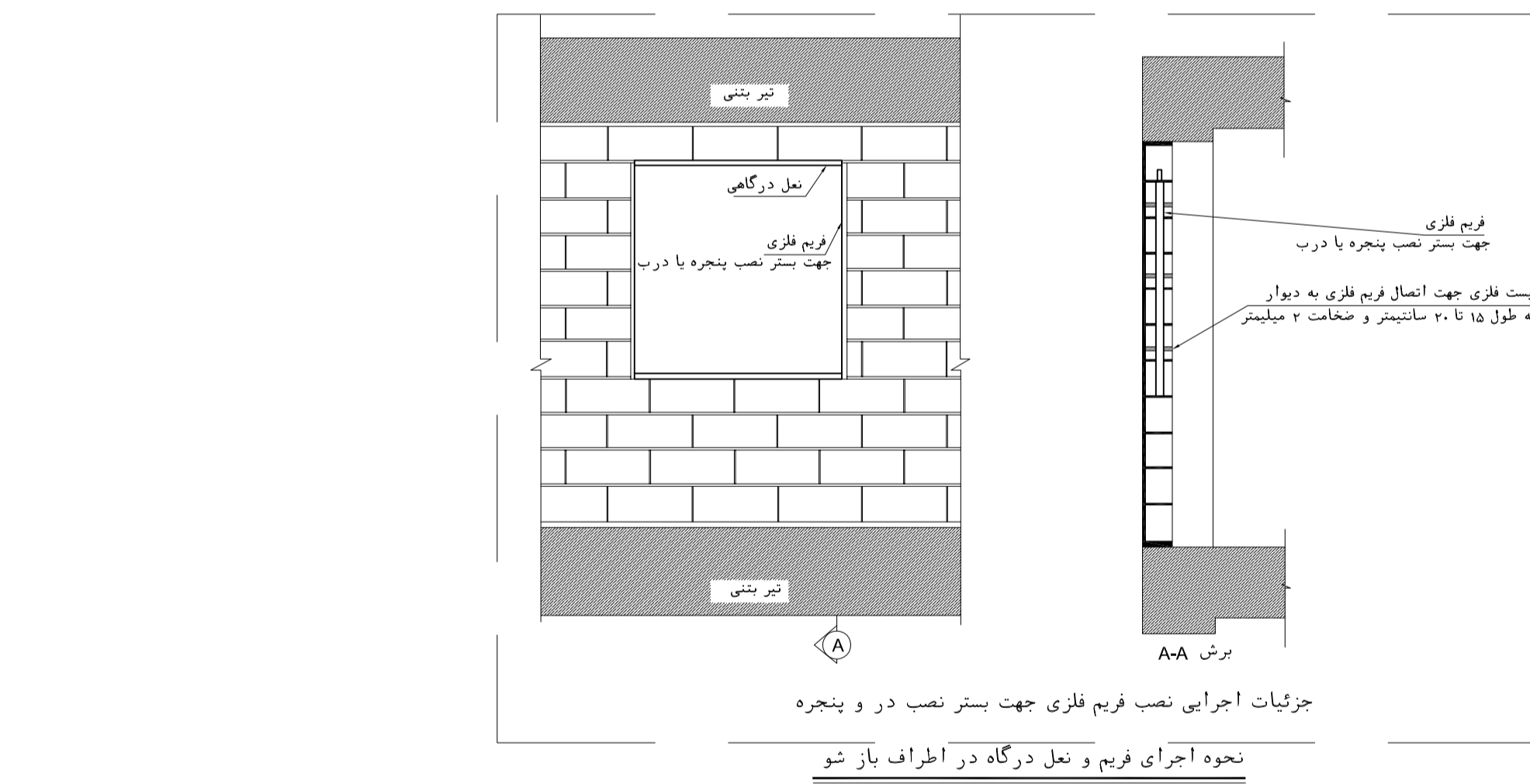
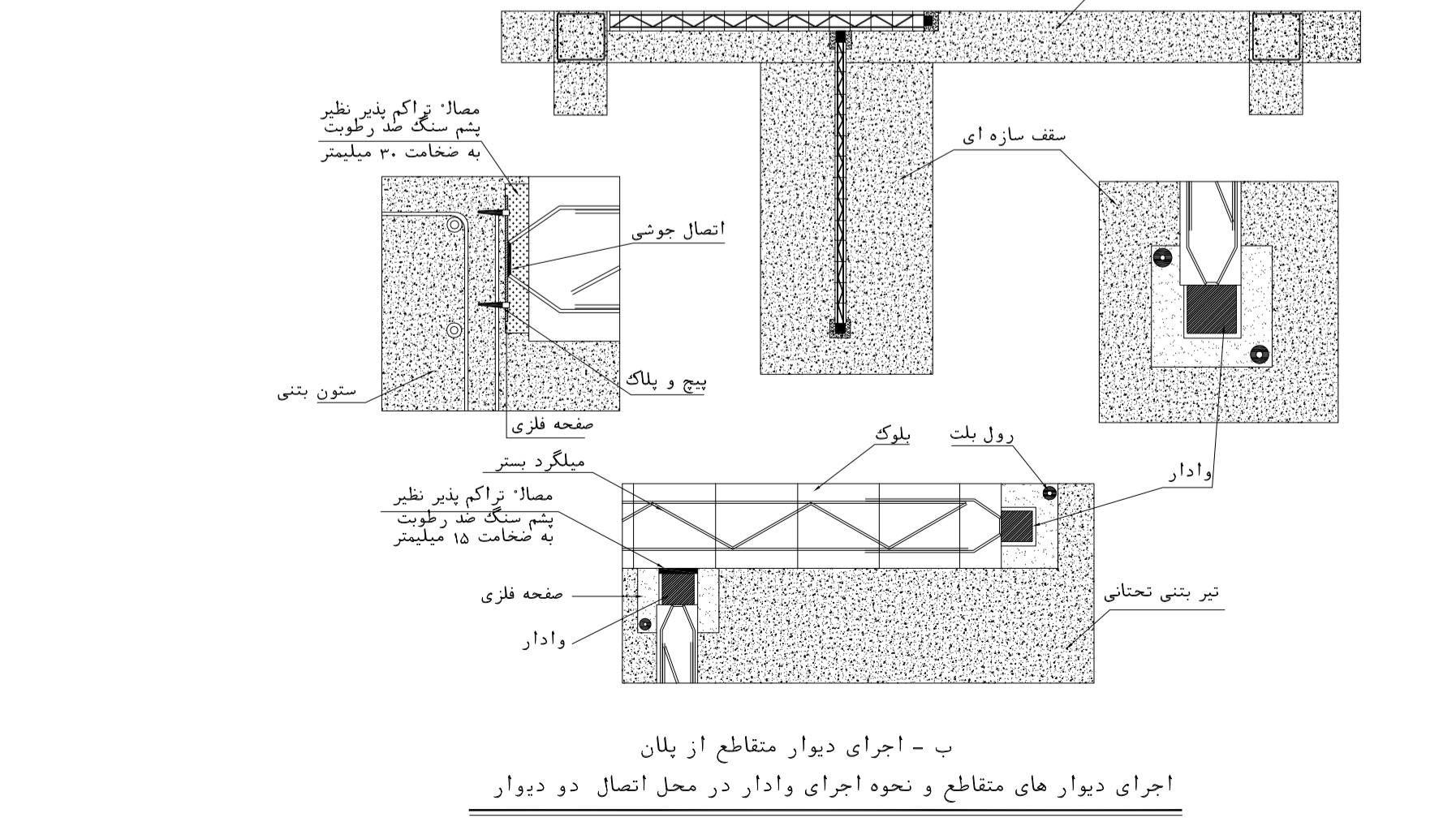
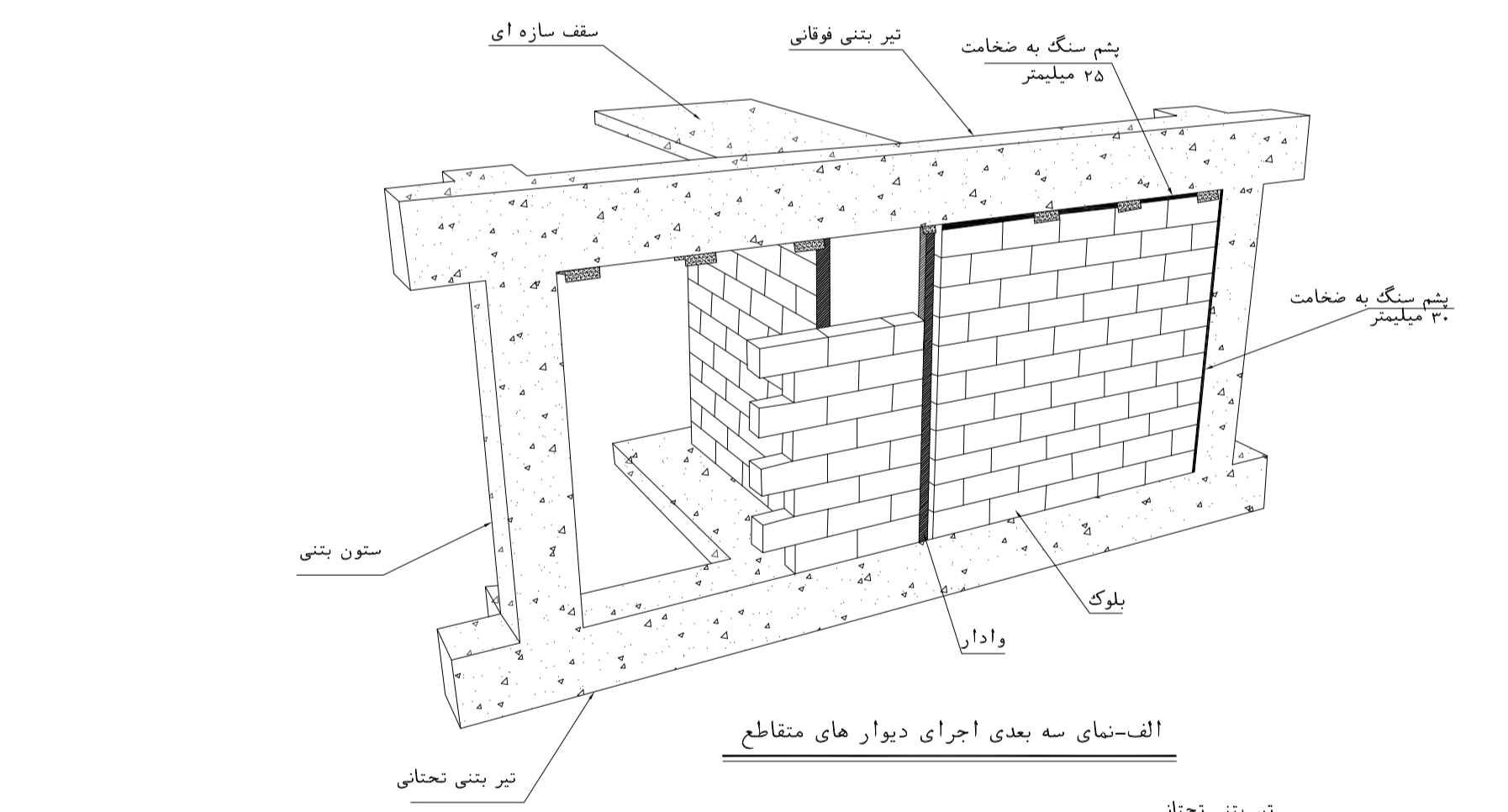
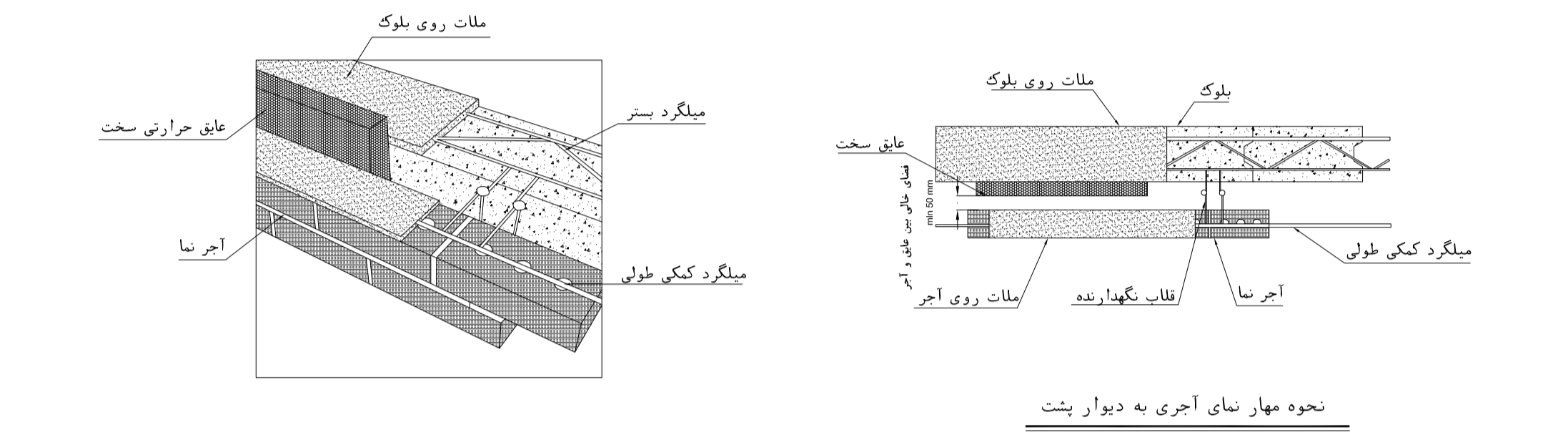
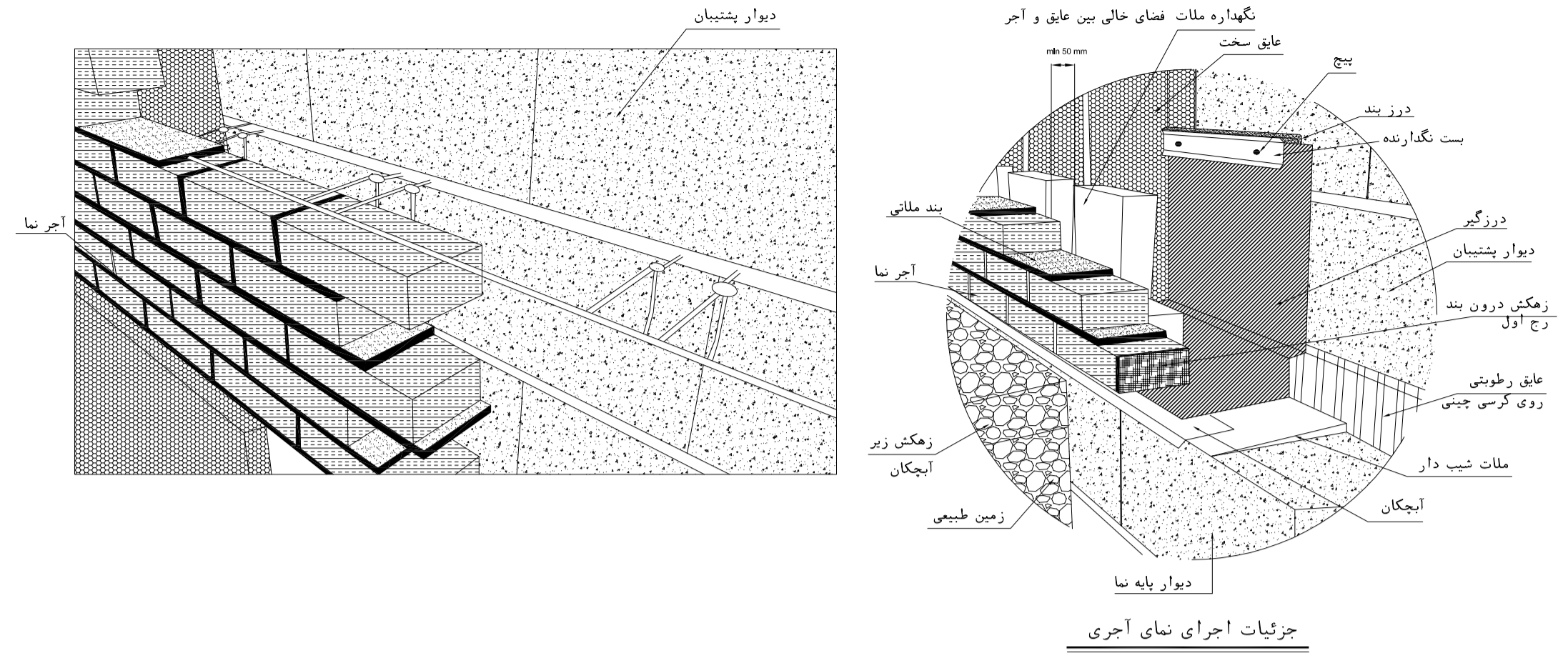
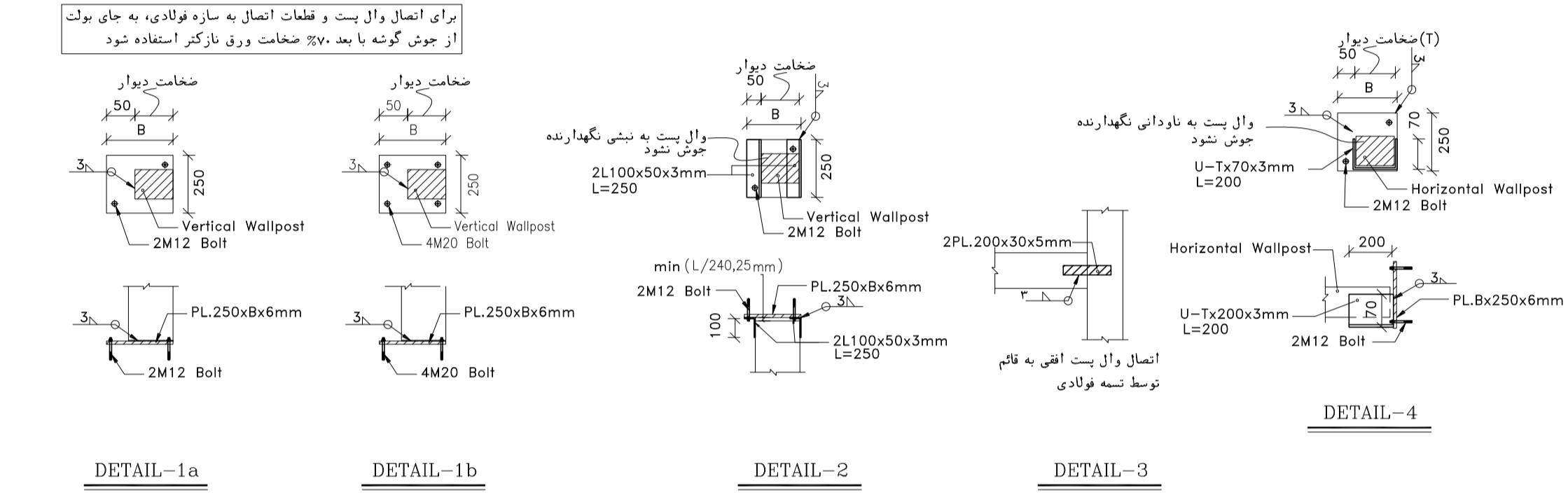
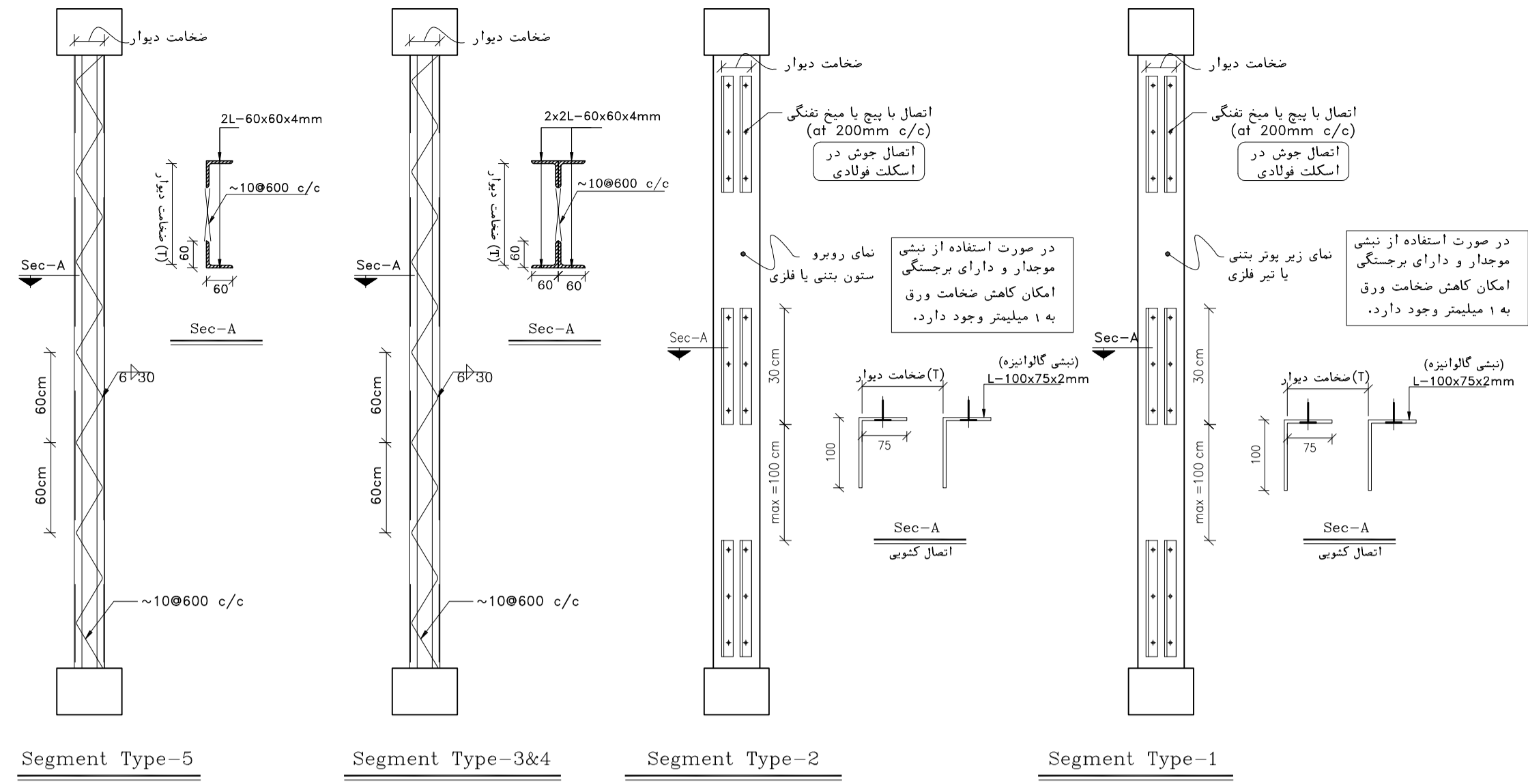
APPROVED FOR CONSTRUCTION	BY:	DATE:



جزئیات اجرایی میانقاب غیرسازه ای دارای باز شو (طبق ضوابط پیوست ششم استاندارد ۲۸۰۰)



جزئیات اجرایی میانقاب غیرسازه ای دارای باز شو (طبق ضوابط پیوست ششم استاندارد ۲۸۰۰)



REV.	DESCRIPTION	BY	DATE	REV. APPR.
D03	NOV.2023	AFC	R.BERLOUIE M.FAKHARIAN S.Paramarposour	***
D02	AUG.2023	IFA	R.BERLOUIE M.FAKHARIAN A.M.MOHSANI	***
D01	MAY.2023	IFA	R.BERLOUIE M.FAKHARIAN A.M.MOHSANI	***
D00	AUG.2022	IFC	R.BERLOUIE M.FAKHARIAN M.MEHRSHAD	***

REV.	DATE	P.O.I.S	PREP.	CHK.	APP.	AUT.
REV. <td>DATE</td> <td>P.O.I.S</td> <td>PREP.</td> <td>CHK.</td> <td>APP.</td> <td>AUT.</td>	DATE	P.O.I.S	PREP.	CHK.	APP.	AUT.

DATE	SCALE	DRAWING BY	CHECKED BY	PROJECT ENG.

NOTES

- ALL DIMENSIONS ARE IN CENTIMETER & ALL ELEVATIONS ARE IN METER.
- ALL DIMENSIONS AND ELEVATIONS SHALL BE CHECKED BY THE CONTRACTOR PRIOR TO CONSTRUCTION.
- CONTRACTOR SHALL COMPARE ALL ARCHITECTURAL, MECHANICAL, ELECTRICAL, PIPING AND STRUCTURAL DRAWINGS AND IN CASE OF ANY CONFLICTS OR DISCREPANCY, INFORM THE ENGINEER.
- ALL MATERIALS ARE SELECTED FROM THE HIGHEST QUALITY AND MUST BE APPROVED BY THE CLIENT.
- ALL OPENINGS FOR PIPING/CABLING AND HVAC OPENINGS SHALL BE CONSIDERED AS PER RELATED DRAWINGS BEFORE CONSTRUCTION.
- FINISH GRADING LEVEL IS EQUIVALENT=±0.00 LOCAL=+262.000 GLOBAL(M.S.L.).

LEGEND

REFERENCE DRAWING

REFERENCE DRAWING	DRG. No.
STANDARD DRAWING FOR ARCHITECTURAL DETAILS	BK-GNRL-PEDCO-000-AR-DW-0001
SITE SEWERAGE SYSTEM LAYOUT & DETAILS	BK-GCS-PEDCO-120-CV-PY-0001
CABLE TRENCH AND DUCT BANK LAYOUT	BK-GCS-PEDCO-120-CV-PY-0002
ROAD, PAVING AND PLANT FINISH GRADING LAYOUT & SECTIONS	BK-GCS-PEDCO-120-CV-PY-0005
ELECTRICAL CABLE ROUTE & SECTION LAYOUT FOR BUILDING & SHELTER	BK-GCS-PEDCO-120-EL-PY-0006
FOUNDATION DRAWING FOR CCTV RACK ROOM- BINAK PU	BK-GCS-PEDCO-120-ST-DW-0079
STRUCTURAL DRAWING FOR CCTV RACK ROOM- BINAK PU	BK-GCS-PEDCO-120-ST-DW-0080
STANDARD DETAILS FOR LADDER & SAFETY CAGE	BK-GNRL-PEDCO-000-ST-DW-0009

KEY PLAN

اصل و کلیه نسخ این نقشه و حق اقتباس متعلق به شرکت ملی مناطق نفت خیز جنوب میباشد.

THE ORIGINAL AND ALL COPIES OF THIS DRAWING TOGETHER WITH THE COPYRIGHT THEREIN ARE THE SOLE PROPERTY OF N.I.S.O.C./ FIELDS

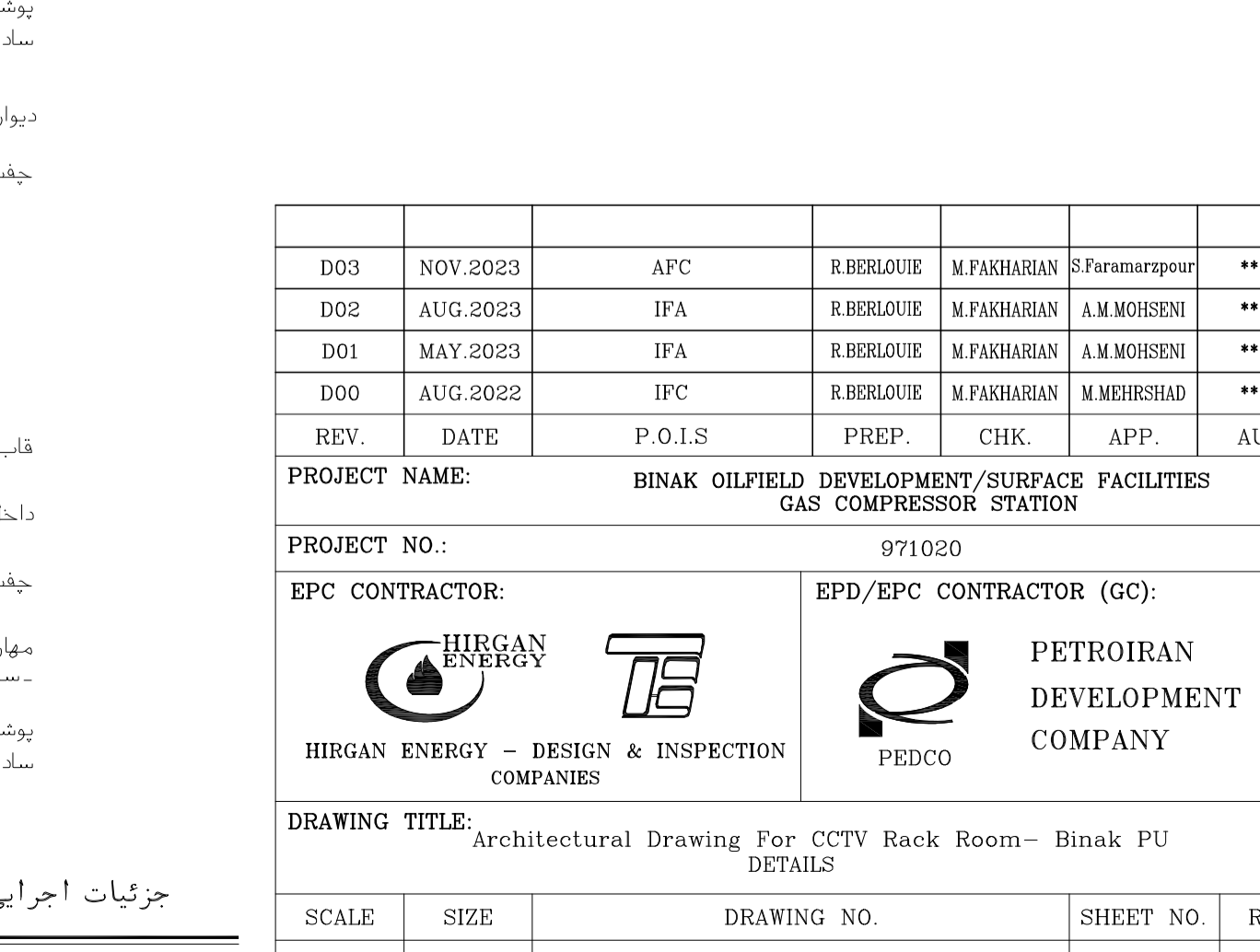
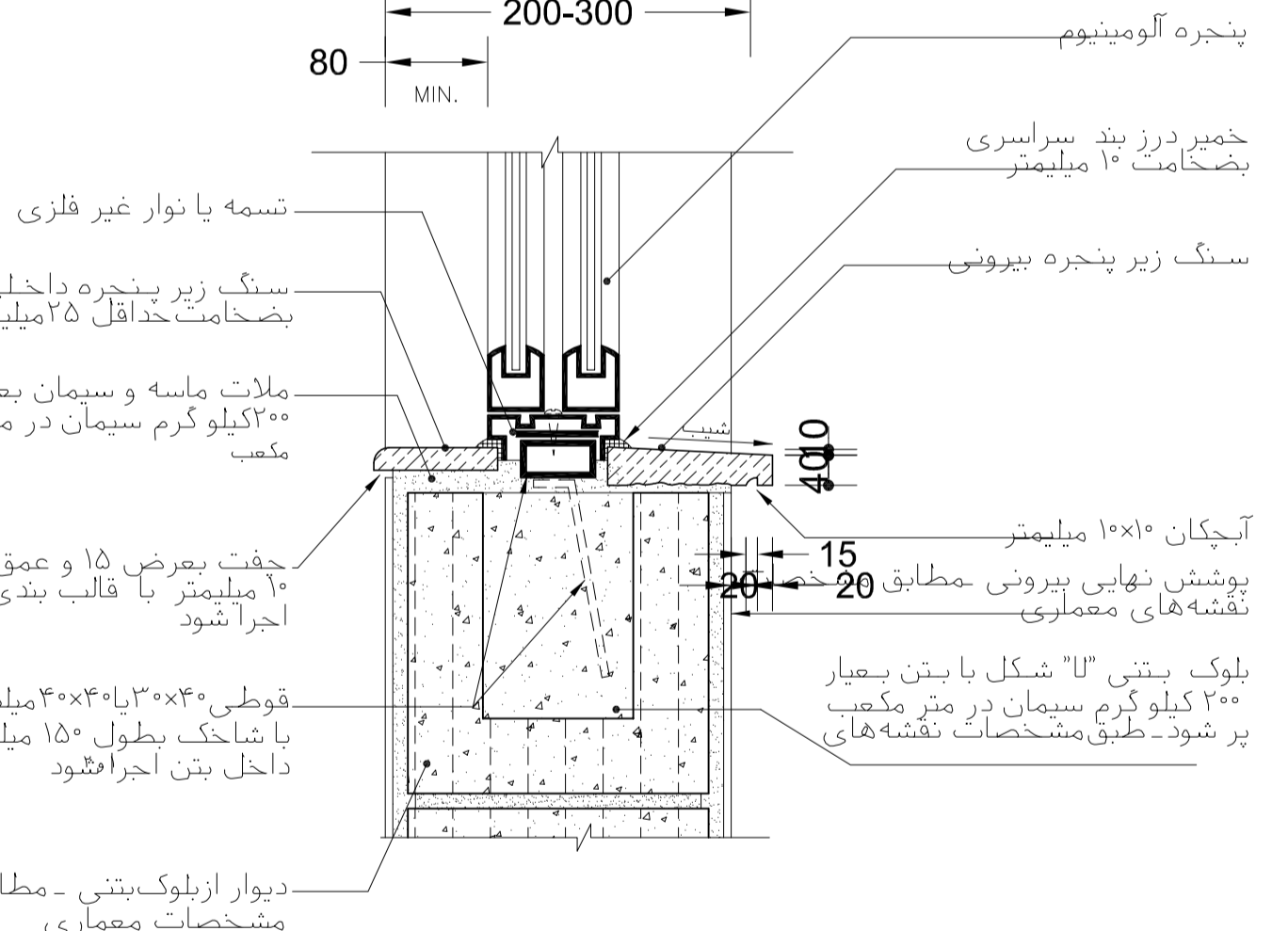
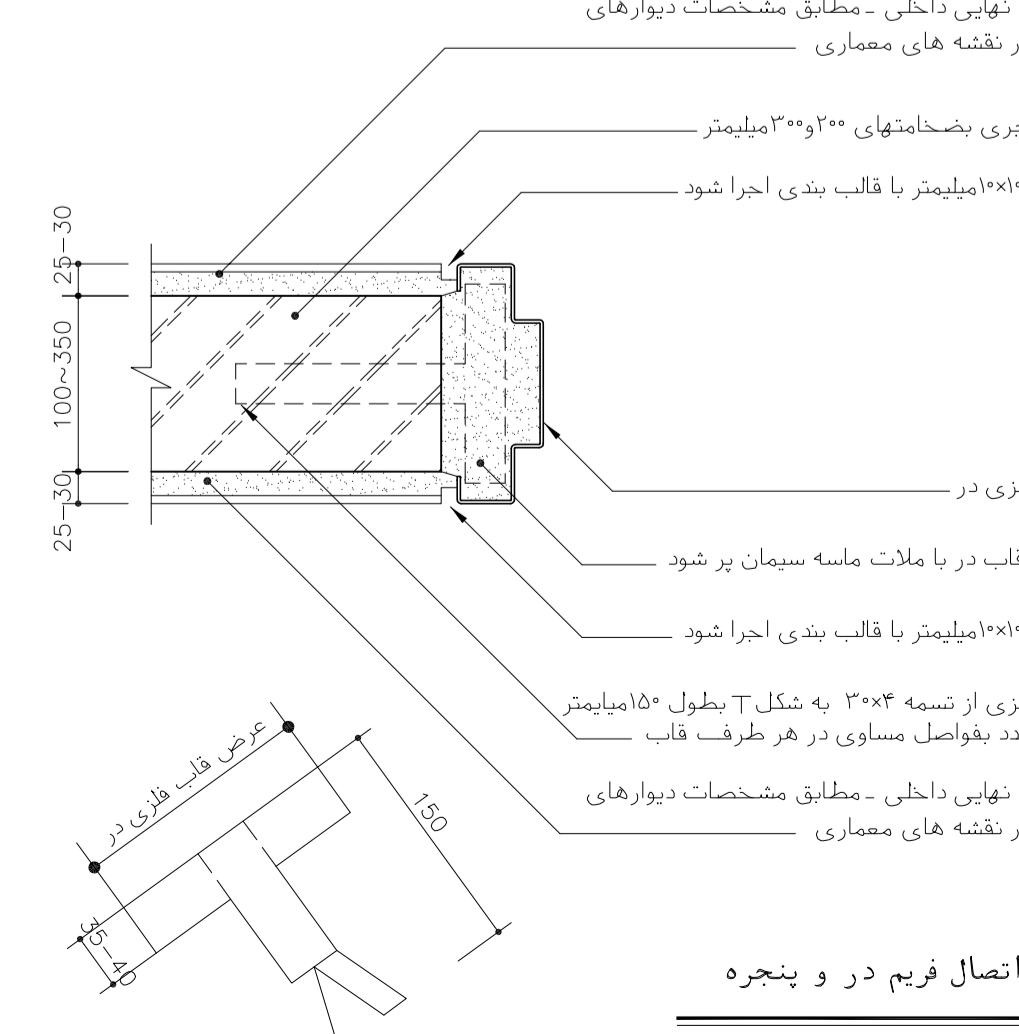
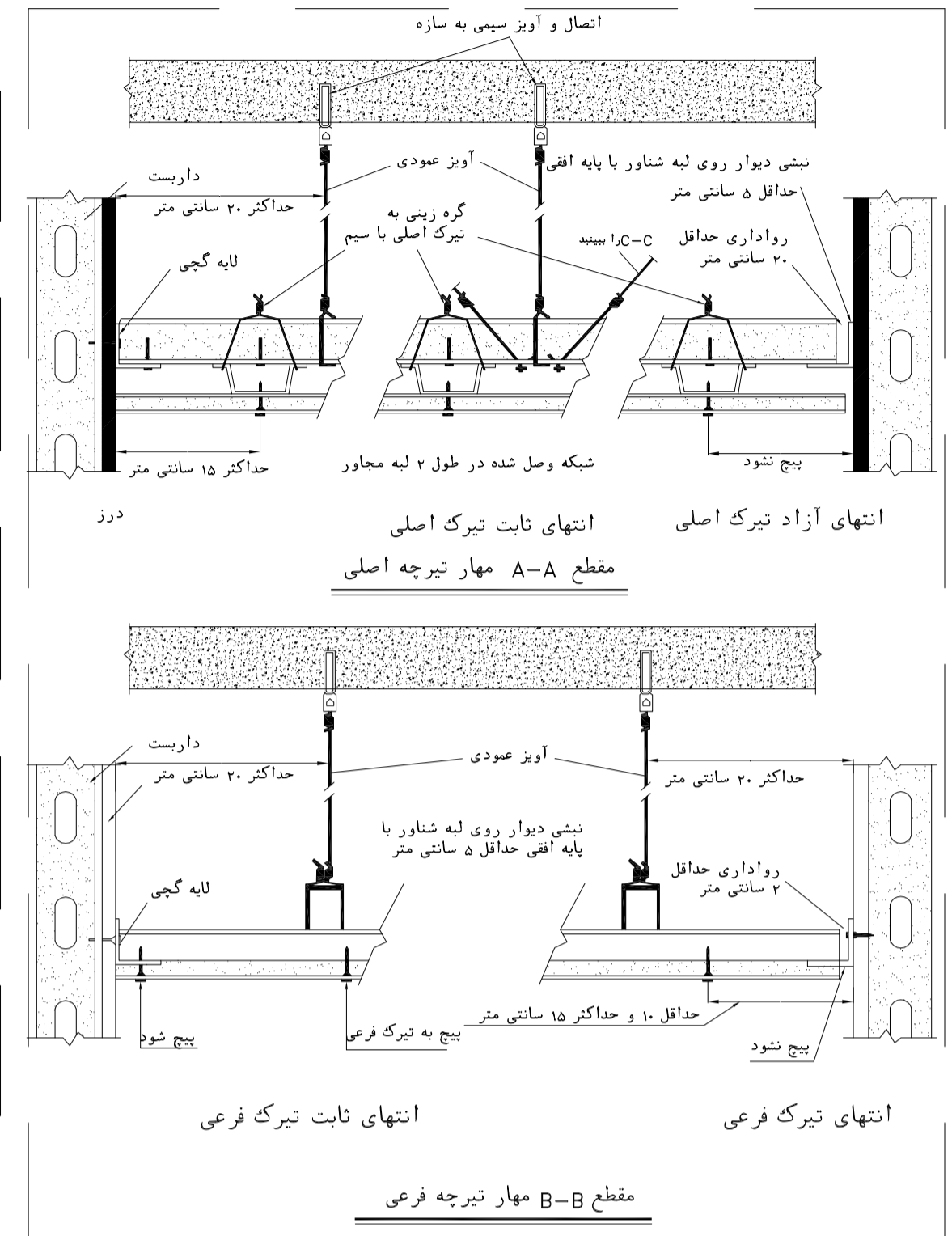
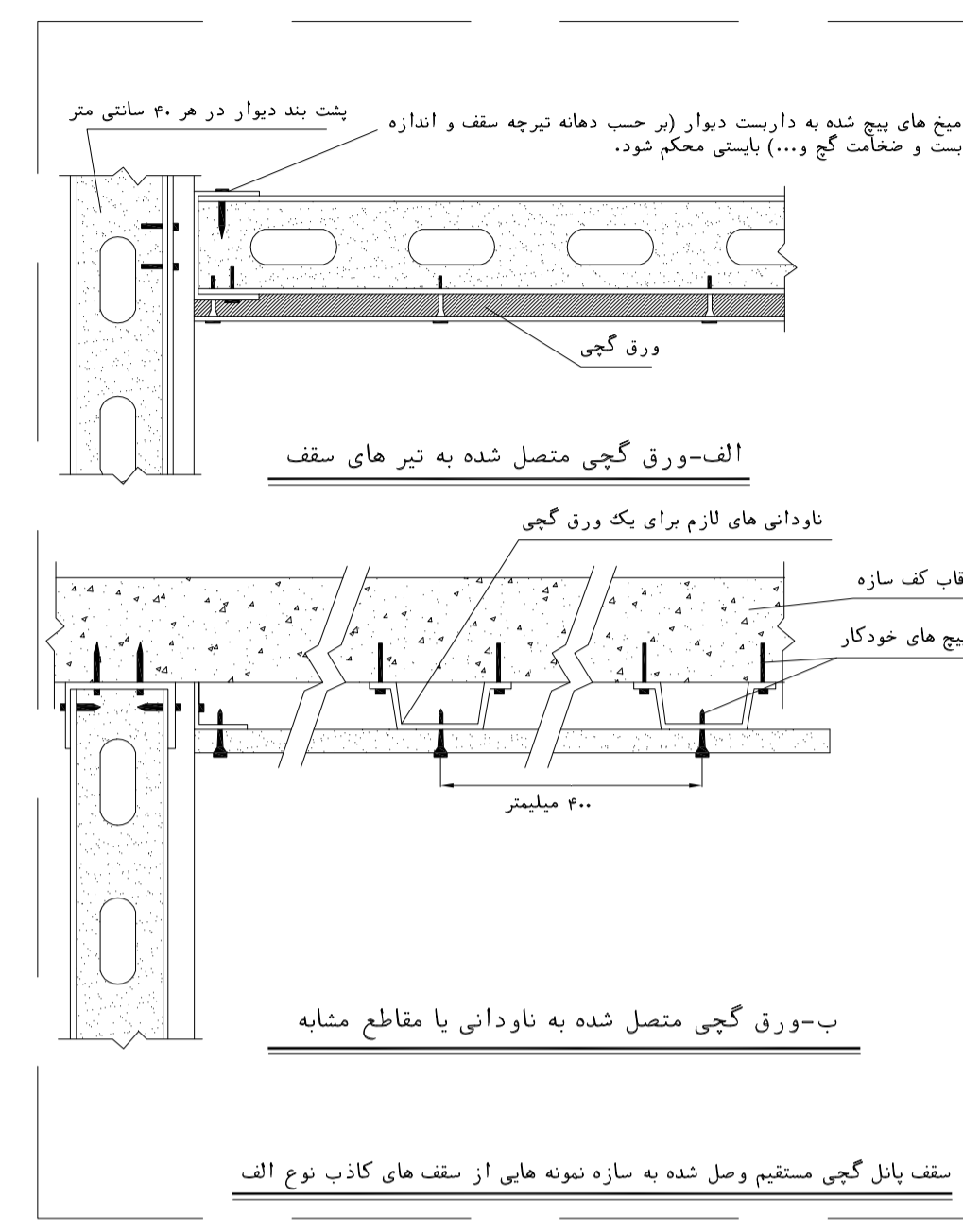
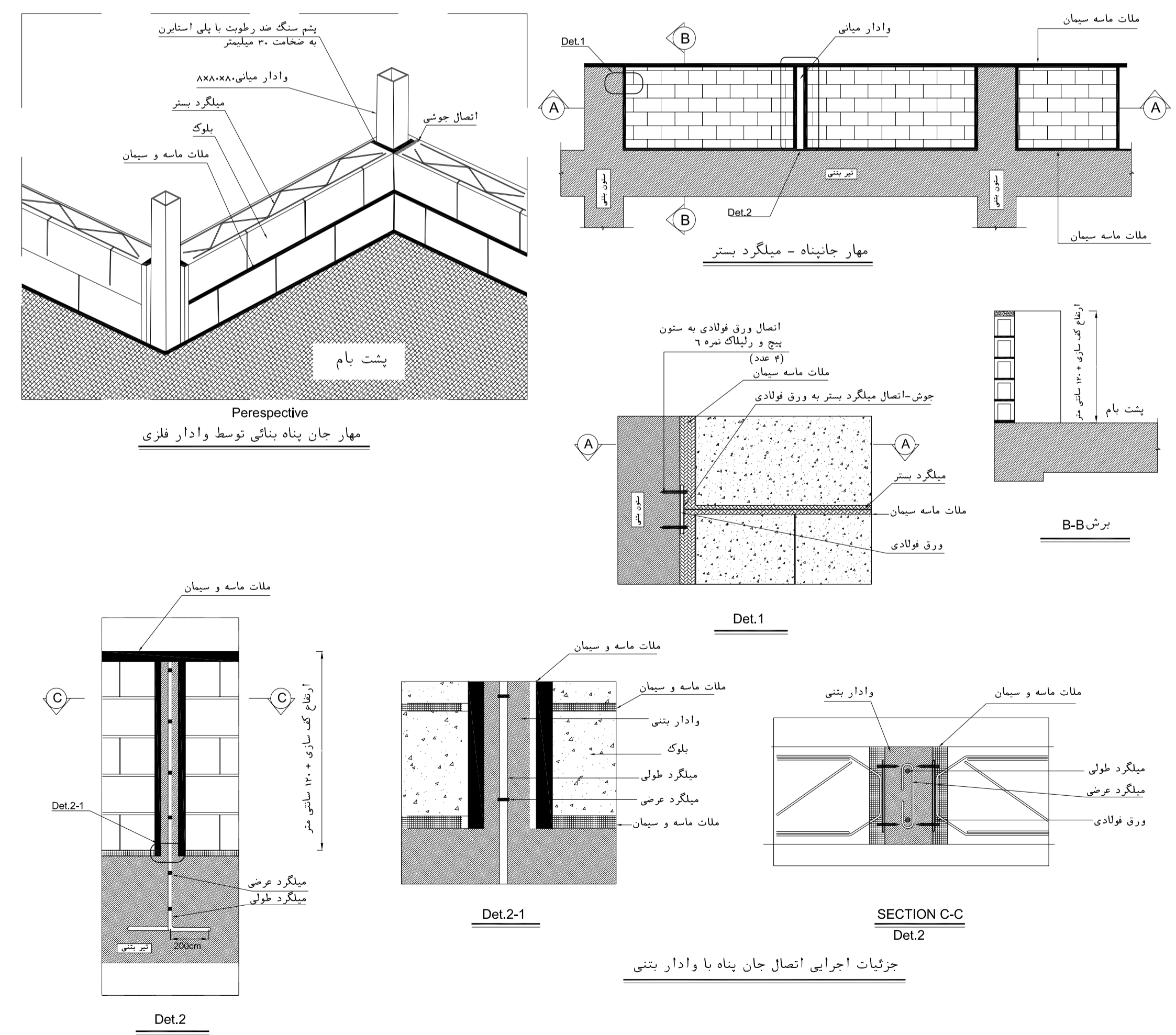
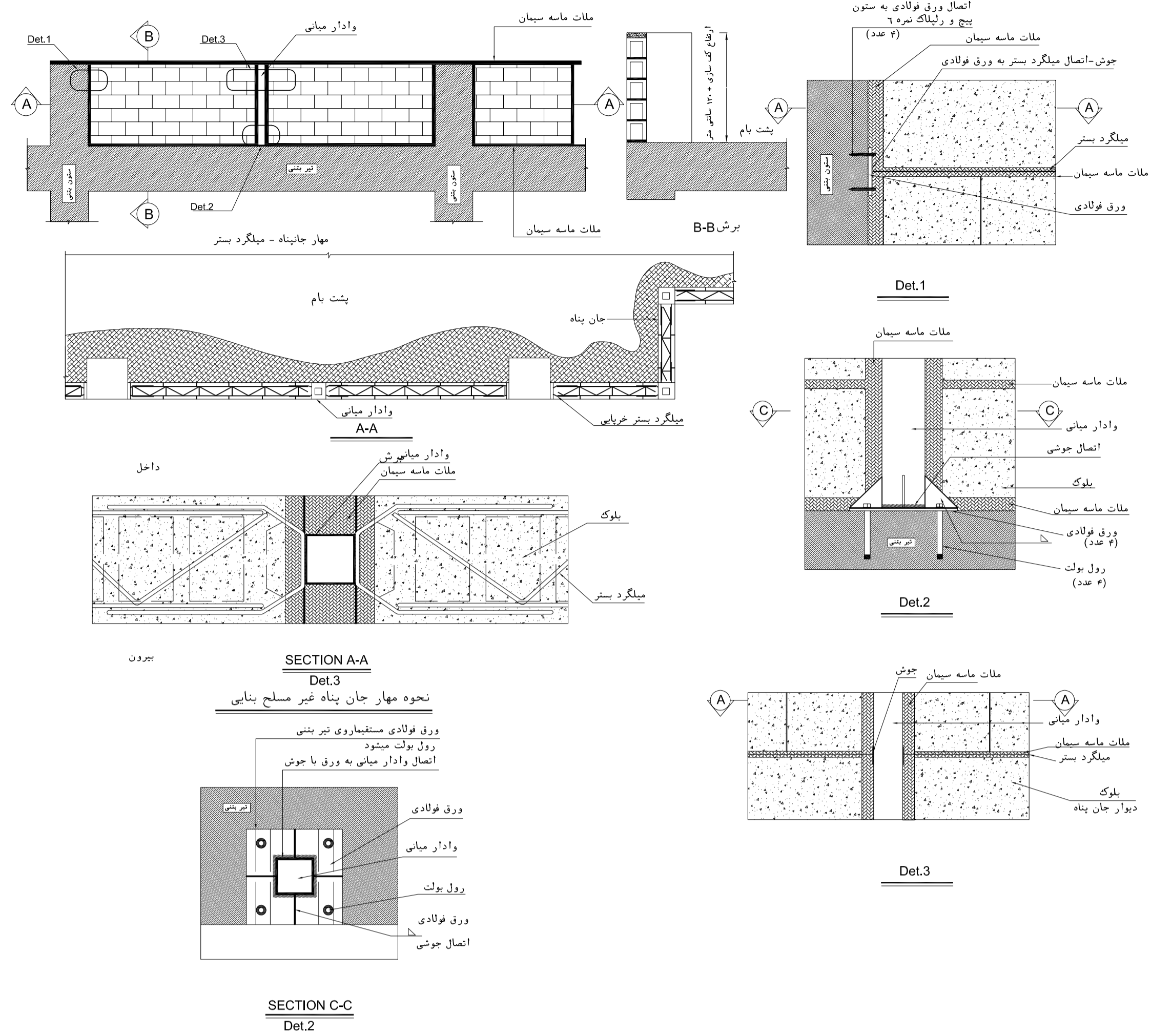
BINAK OILFIELD DEVELOPMENT SURFACE FACILITIES GAS COMPRESSOR STATION

DATE	SCALE	DRAWING BY	CHECKED BY	PROJECT ENG.

NO CONSTRUCTION PERMITTED UNLESS DRAWING APPROVED

APPROVED FOR CONSTRUCTION	BY:	DATE:

SCALE	SIZE	DRAWING NO.	SHEET NO.	REV.	BUDGET REF.	LOCATION	SIZE CLASS	SERIAL NO.	SHEET	REVISION
AS SHOWN	A1	BK-GCS-PEDCO-120-AR-DW-0010	08 OF 09	D03	053-073-9184	F	4	B	709398	08 OF 09 D03



NOTES

1. ALL DIMENSIONS ARE IN CENTIMETER & ALL ELEVATIONS ARE IN METER.
2. ALL DIMENSIONS AND ELEVATIONS SHALL BE CHECKED BY THE CONTRACTOR PRIOR TO CONSTRUCTION.
3. CONTRACTOR SHALL COMPARE ALL ARCHITECTURAL, MECHANICAL, ELECTRICAL, PIPING AND STRUCTURAL DRAWINGS AND IN CASE OF ANY CONFLICTS OR DISCREPANCY, INFORM THE ENGINEER.
4. ALL MATERIALS ARE SELECTED FROM THE HIGHEST QUALITY AND MUST BE APPROVED BY THE CLIENT.
5. ALL OPENINGS FOR PIPING/CABLING AND HVAC OPENINGS SHALL BE CONSIDERED AS PER RELATED DRAWINGS BEFORE CONSTRUCTION.
6. FINISH GRADING LEVEL IS EQUIVALENT=±0.00 LOCAL=+262.000 GLOBAL(M.S.L.).

LEGEND

REFERENCE DRAWING	DRG. No.
STANDARD DRAWING FOR ARCHITECTURAL DETAILS	BK-GNRL-PEDCO-000-AR-DW-0001
SITE SEWERAGE SYSTEM LAYOUT & DETAILS	BK-GCS-PEDCO-120-CV-PY-0001
CABLE TRENCH AND DUCT BANK LAYOUT	BK-GCS-PEDCO-120-CV-PY-0002
ROAD, PAVING AND PLANT FINISH GRADING LAYOUT & SECTIONS	BK-GCS-PEDCO-120-CV-PY-0005
ELECTRICAL CABLE ROUTE & SECTION LAYOUT FOR BUILDING & SHELTER	BK-GCS-PEDCO-120-EL-PY-0006
FOUNDATION DRAWING FOR CCTV RACK ROOM - BINAK PU	BK-GCS-PEDCO-120-ST-DW-0079
STRUCTURAL DRAWING FOR CCTV RACK ROOM - BINAK PU	BK-GCS-PEDCO-120-ST-DW-0080
STANDARD DETAILS FOR LADDER & SAFETY CAGE	BK-GNRL-PEDCO-000-ST-DW-0009

KEY PLAN

REV.	DESCRIPTION	BY	DATE	BY	DATE
D03	NOV.2023	AFC	R.BERLOUJE	M.FAKHARIAN	S.Paramarpospor
D02	AUG.2023	IFA	R.BERLOUJE	M.FAKHARIAN	A.M.MOHSSENI
D01	MAY.2023	IFA	R.BERLOUJE	M.FAKHARIAN	A.M.MOHSSENI
D00	AUG.2022	IPC	R.BERLOUJE	M.FAKHARIAN	M.MEHRSHAD

PROJECT NAME: BINAK OILFIELD DEVELOPMENT/SURFACE FACILITIES GAS COMPRESSOR STATION

PROJECT NO.: 971020

EPC CONTRACTOR: HIRGAN ENERGY

EPD/EPC CONTRACTOR (GC): PETROIRAN DEVELOPMENT COMPANY

DRAWING TITLE: Architectural Drawing For CCTV Rack Room- Binak PU DETAILS

SCALE	SIZE	DRAWING NO.	SHEET NO.	REV.	BUDGET REF.	LOCATION	SIZE CLASS	SERIAL NO.	SHEET	REVISION
AS SHOWN	A1	BK-GCS-PEDCO-120-AR-DW-0010	09 OF 09	D03	053-073-9184	F	4	B	709398	09 OF 09

NO CONSTRUCTION PERMITTED UNLESS DRAWING APPROVED

APPROVED FOR CONSTRUCTION BY: DATE:

اسم و کلیه نسخ این نقشه و حق اقتباس متعلق به شرکت ملی مناطق نفت خیز جنوب میباشد.

THE ORIGINAL AND ALL COPIES OF THIS DRAWING TOGETHER WITH THE COPYRIGHT THEREIN ARE THE SOLE PROPERTY OF N.I.S.O.C./ FIELDS

BINAK OILFIELD DEVELOPMENT SURFACE FACILITIES GAS COMPRESSOR STATION