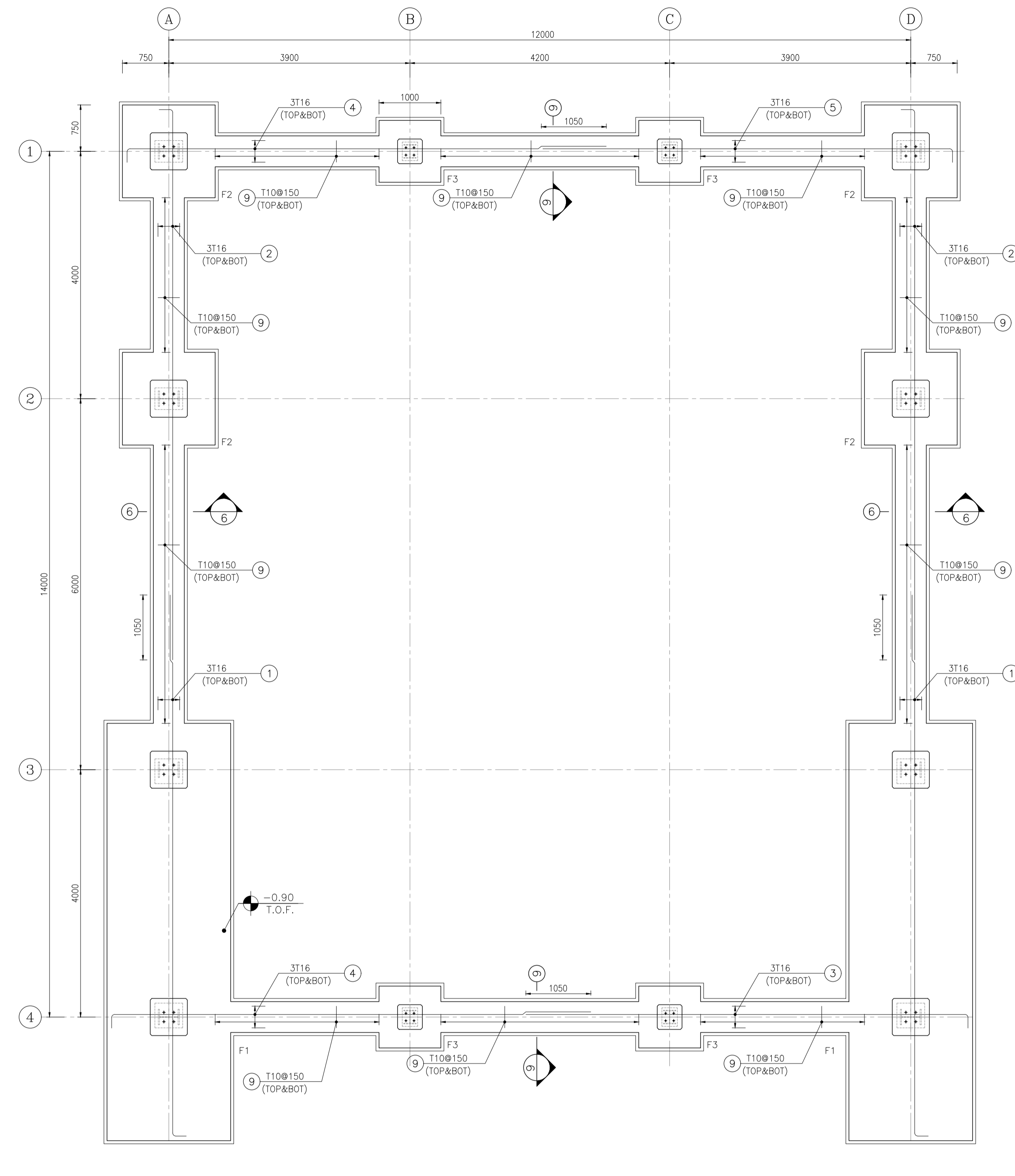
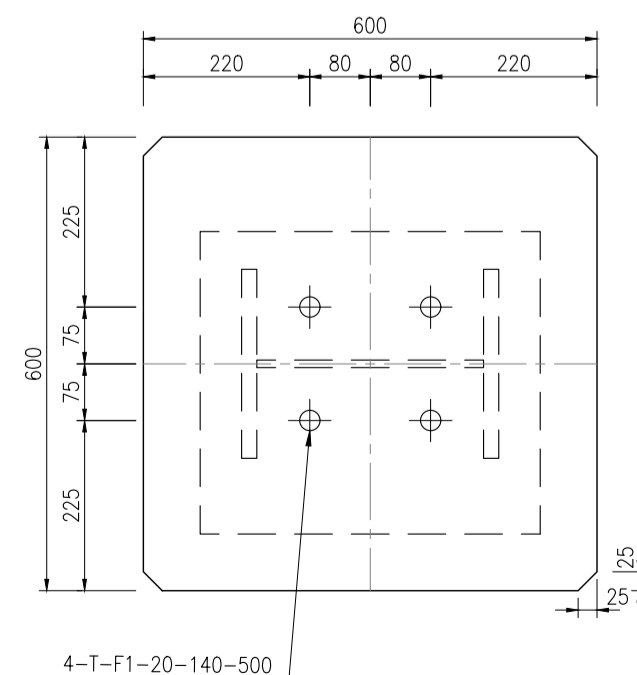


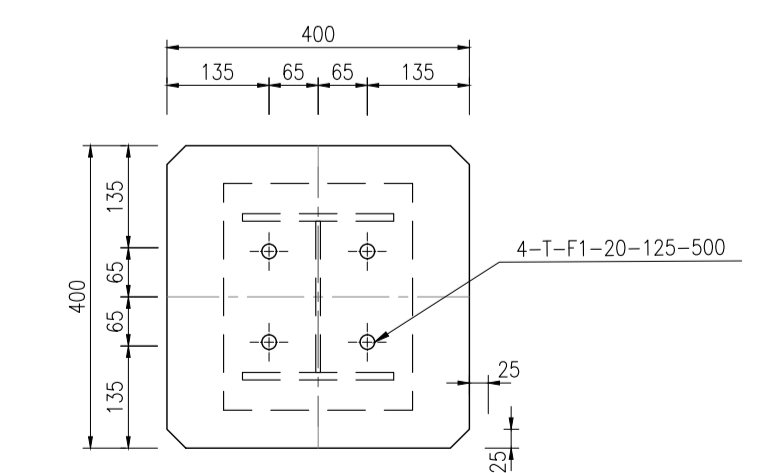
1 FOUNDATION PLAN FORMWORK  
1:50



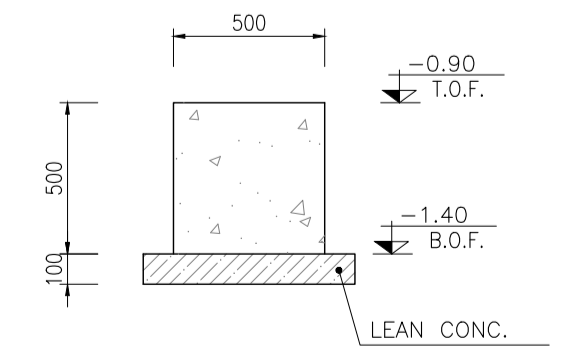
2 TIE BEAM PLAN REINFORCEMENT  
1:50



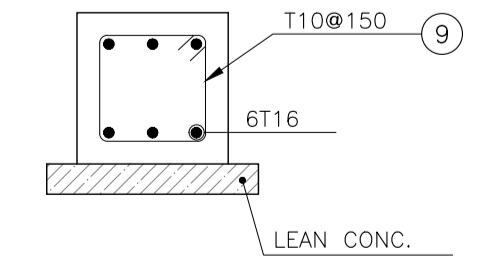
3 PEDESTAL TYPE. 1  
1:10 N=8



5 PEDESTAL TYPE. 3  
1:10 N=4



6 TIE BEAM FORMWORK  
1:25



7 TIE BEAM REINFORCEMENT  
1:10

- NOTES**
- 1) ALL ELEVATIONS AND COORDINATES ARE IN "m" AND DIMENSIONS ARE IN "mm" UNLESS OTHERWISE NOTED.
  - 2) ALL DIMENSIONS AND ELEVATIONS SHALL BE CHECKED BY THE CONTRACTOR PRIOR TO CONSTRUCTION.
  - 3) ACCORDING TO THE SPECIFICATION OF CONCRETE WORKS:  
"BK-GNRL-PEDCO-000-ST-SP-0001" 28 DAYS CHARACTERISTIC COMPRESSIVE STRENGTH OF MAIN CONCRETE IS 30 MPa (ON CYLINDRICAL SPECIMEN)
  - 4) ACCORDING TO THE SPECIFICATION OF CONCRETE WORKS:  
"BK-GNRL-PEDCO-000-ST-SP-0001" 28 DAYS CHARACTERISTIC COMPRESSIVE STRENGTH OF LEAN CONCRETE IS 15 MPa (ON CYLINDRICAL SPECIMEN)
  - 5) CONCRETE COVER OVER BARS SHALL BE 75mm FOR FOUNDATION AND 50mm FOR CAST IN-SITU WALLS & PEDESTALS.
  - 6) REINFORCING BARS SHALL BE S400 ACCORDING TO: ISIRI3132 AND INBC9 WITH MINIMUM TENSILE YIELD STRENGTH 400 N/mm<sup>2</sup>
  - 7) THE FIRST HOOP OF THE BEAM, COLUMN OR PEDESTAL SHALL BE LOCATED NOT MORE THAN 50mm FROM THE FACE OF FOUNDATION.
  - 8) REINFORCEMENT SHALL BE ADJUSTED LOCALLY TO SUIT THE RECESS OF ANCHOR BOLTS, HOLES AND OTHER EMBEDDED MATERIALS.
  - 9) UNDERGROUND CONCRETE SHALL BE PROTECTED AND COATED ACCORDING TO RELEVANT SPECIFICATION.
  - 10) PORTLAND CEMENT TYPE 2 SHALL BE USED FOR CONCRETE AND LEAN CONCRETE.
  - 11) FILL MATERIAL SHALL BE COMPACTED TO NOT LESS THAN 95% OF THE MAXIMUM DENSITY AS DETERMINED BY ASTM D-1557 (MODIFIED PROCTOR) METHOD.
  - 12) FILL MATERIAL SHALL BE COMPACTED TO NOT LESS THAN 95% OF THE MAXIMUM

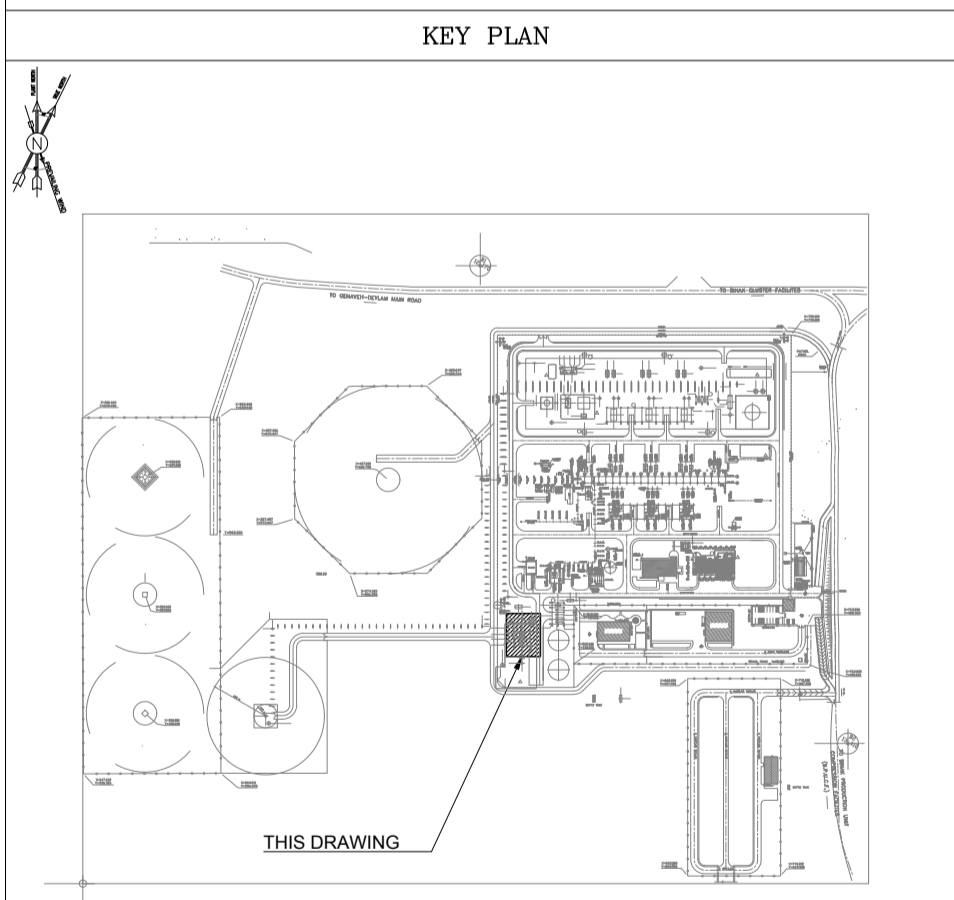
±0.00 = +11.20(F.G.L)MSL

**LEGEND**

H.P.P. : HIGH POINT OF PAVING  
B.O.F. : BOTTOM OF FOUNDATION

	REINFORCED CONCRETE
	LEAN CONCRETE
	GROUND

REFERENCE DRAWING	DRG. No.
ARCHITECTURAL DRAWING FOR UTILITY SHELTER	BK-GCS-PEDCO-120-AR-DW-0004
GENERAL NOTES-REINFORCED CONCRETE STRUCTURES	BK-GCS-PEDCO-120-AR-DW-0004
TYPICAL DETAILS FOR ANCHOR BOLTS	BK-GNRL-PEDCO-000-ST-DW-0002
STRUCTURAL DRAWING FOR UTILITY SHELTER	BK-GCS-PEDCO-120-ST-DW-0068
SPECIFICATION FOR CONCRETE WORK	BK-GNRL-PEDCO-000-ST-SP-0001
CALCULATION NOTE FOR UTILITY SHELTER	BK-GCS-PEDCO-120-ST-CN-0008
STRUCTURAL DRAWING FOR UTILITY SHELTER	BK-GCS-PEDCO-120-ST-DW-0068
GEOTECHNICAL INVESTIGATION REPORT FOR COMPRESSOR STATION	BK-GCS-PEDCO-120-GT-RT-0001
UNIT PLOT PLAN DRAWING	BK-GCS-PEDCO-120-PI-PY-0001



REV.	DATE	DESCRIPTION	BY	DATE	BY	DATE
D02	JAN.2024	APC	R.BERLOUIE	M.FAKHARIAN	S.FARAMARZPOUR	***
D01	OCT.2023	IFA	R.BERLOUIE	M.FAKHARIAN	S.FARAMARZPOUR	***
D00	JUN.2023	IFC	R.BERLOUIE	M.FAKHARIAN	A.M.MOHSENI	***
REV.	DATE	P.O.I.S	PREP.	CHK.	APP.	AUT.

PROJECT NAME: BINAK OILFIELD DEVELOPMENT/SURFACE FACILITIES GAS COMPRESSOR STATION

PROJECT NO.: 971020

EPC CONTRACTOR: HIRGAN ENERGY

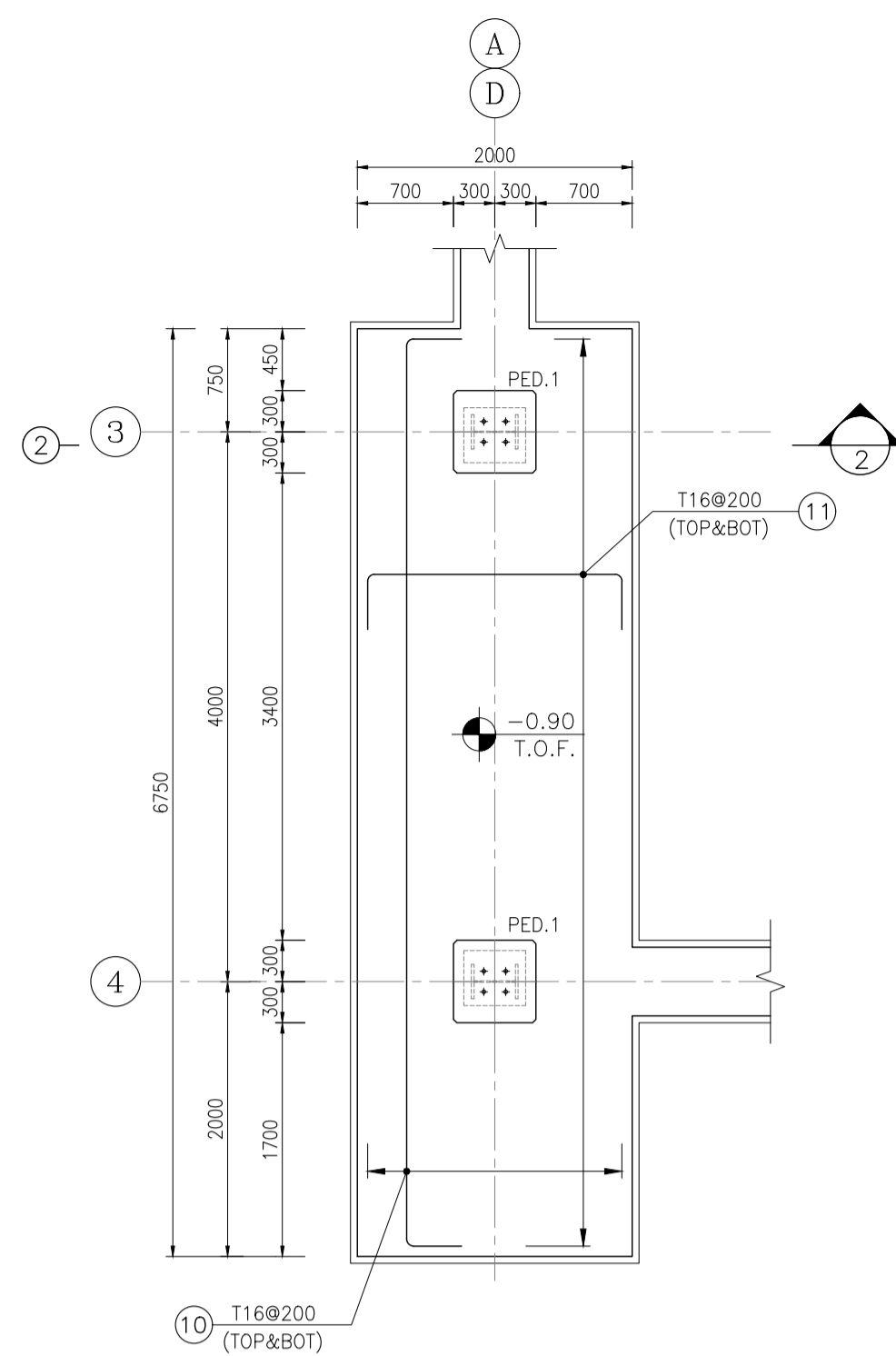
EPD/EPC CONTRACTOR (GC): PETROIRAN DEVELOPMENT COMPANY

DRAWING TITLE: FOUNDATION DRAWING FOR UTILITY SHELTER

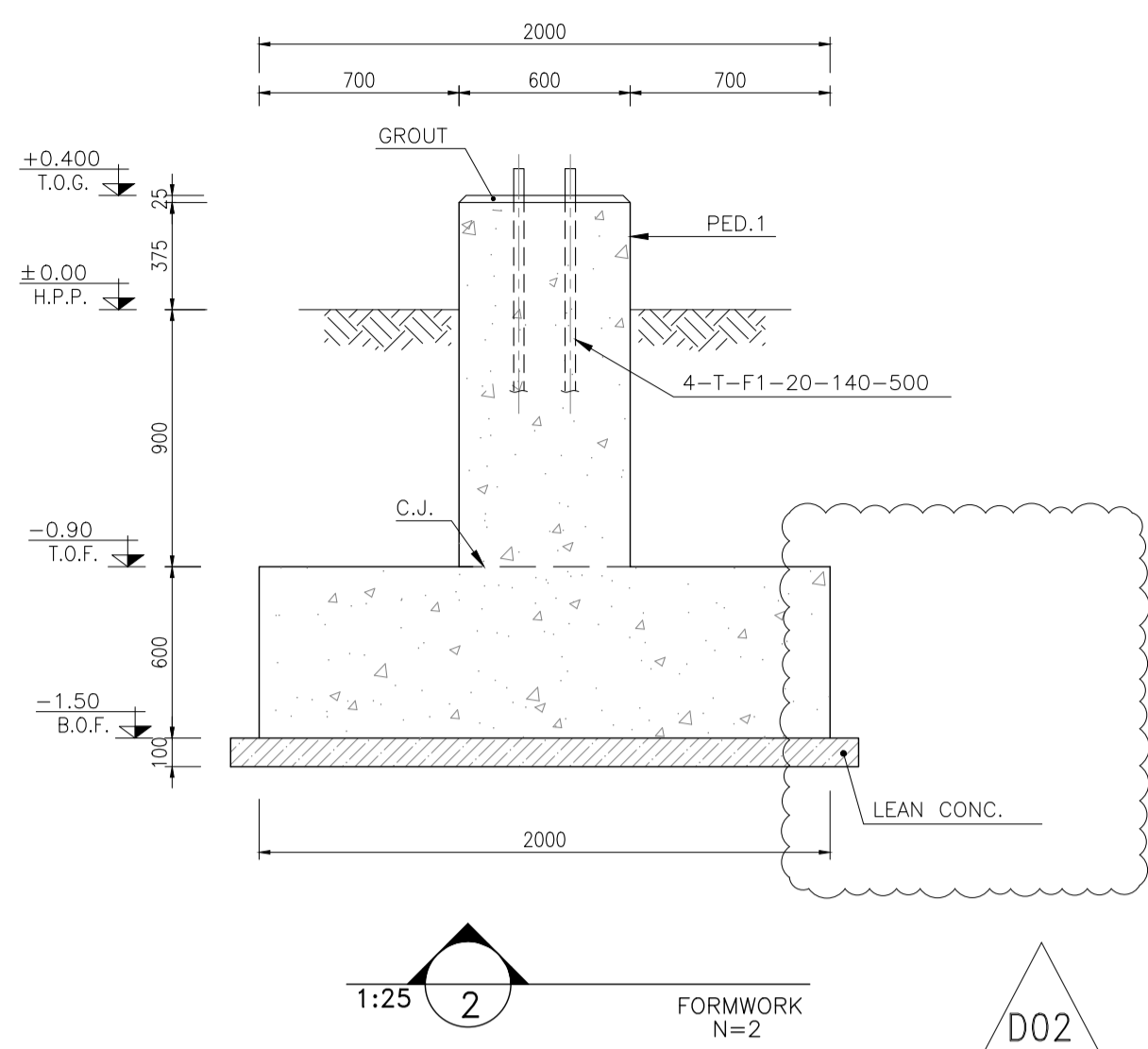
SCALE	SIZE	DRAWING NO.	SHEET NO.	REV.	BUDGET REF.	LOCATION	SIZE	CLASS	SERIAL NO.	SHEET	REVISION
AS SHOWN	A1	BK-GCS-PEDCO-120-ST-DW-0067	01	D02	053-073-9184	F	4	Q	709204	01 OF 02	D02

NO CONSTRUCTION PERMITTED UNLESS DRAWING APPROVED

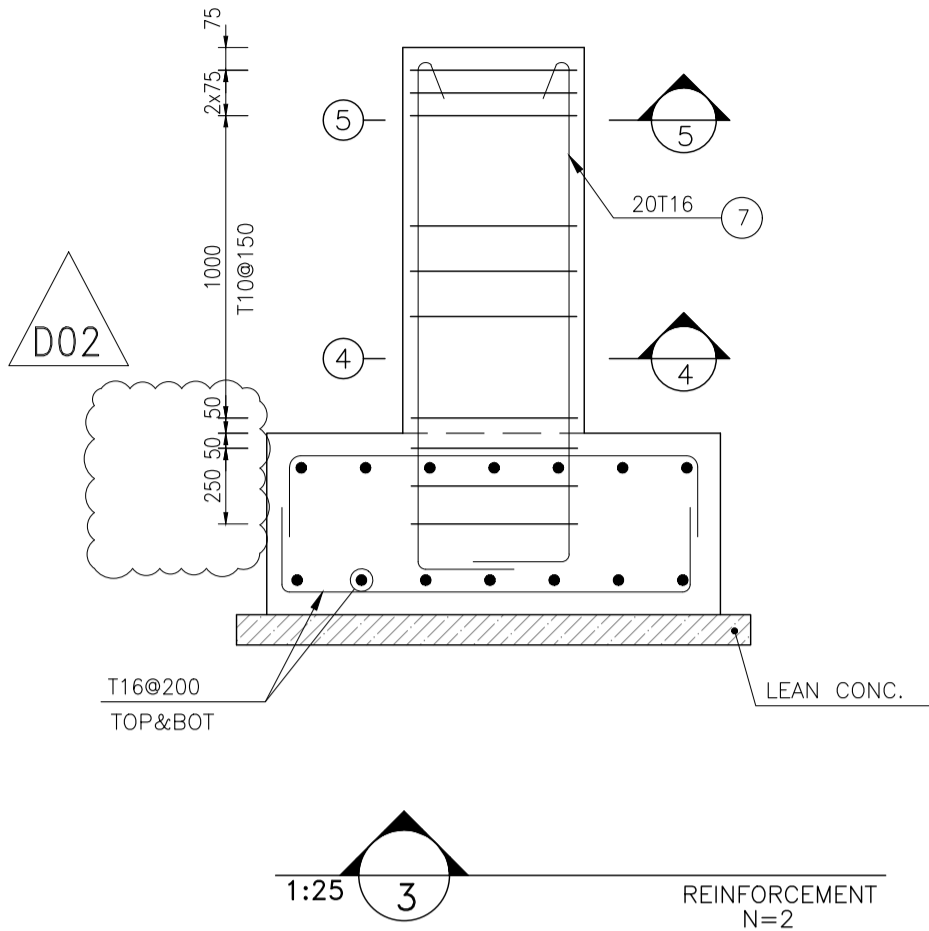
APPROVED FOR CONSTRUCTION BY: DATE:



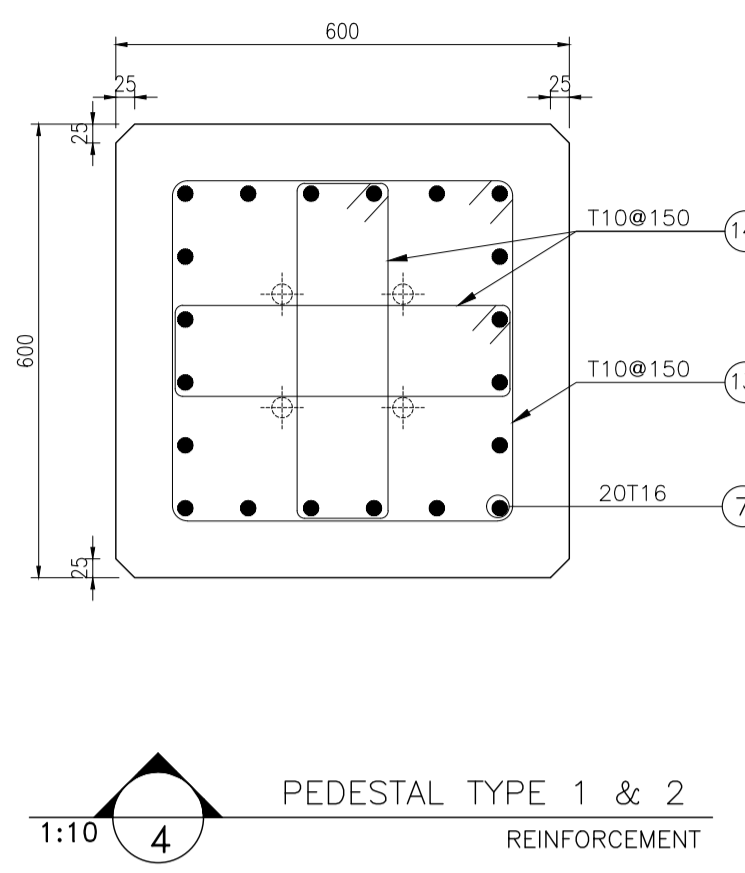
FOUNDATION PLAN F1  
REINFORCEMENT  
N=2



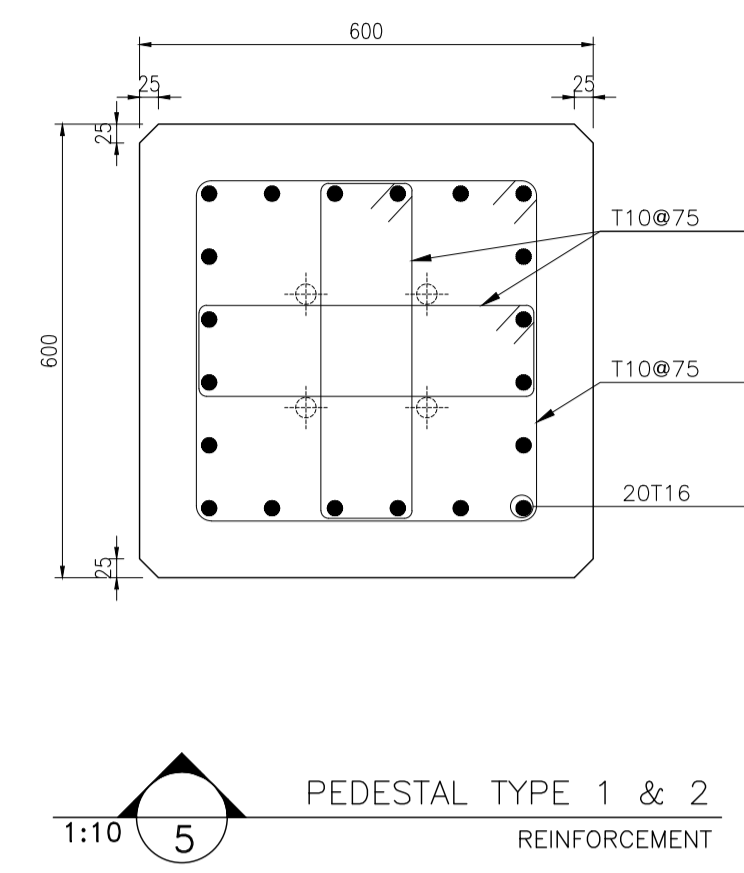
1:25 FORMWORK  
N=2



1:25 REINFORCEMENT  
N=2



1:10 PEDESTAL TYPE 1 & 2  
REINFORCEMENT



1:10 PEDESTAL TYPE 1 & 2  
REINFORCEMENT

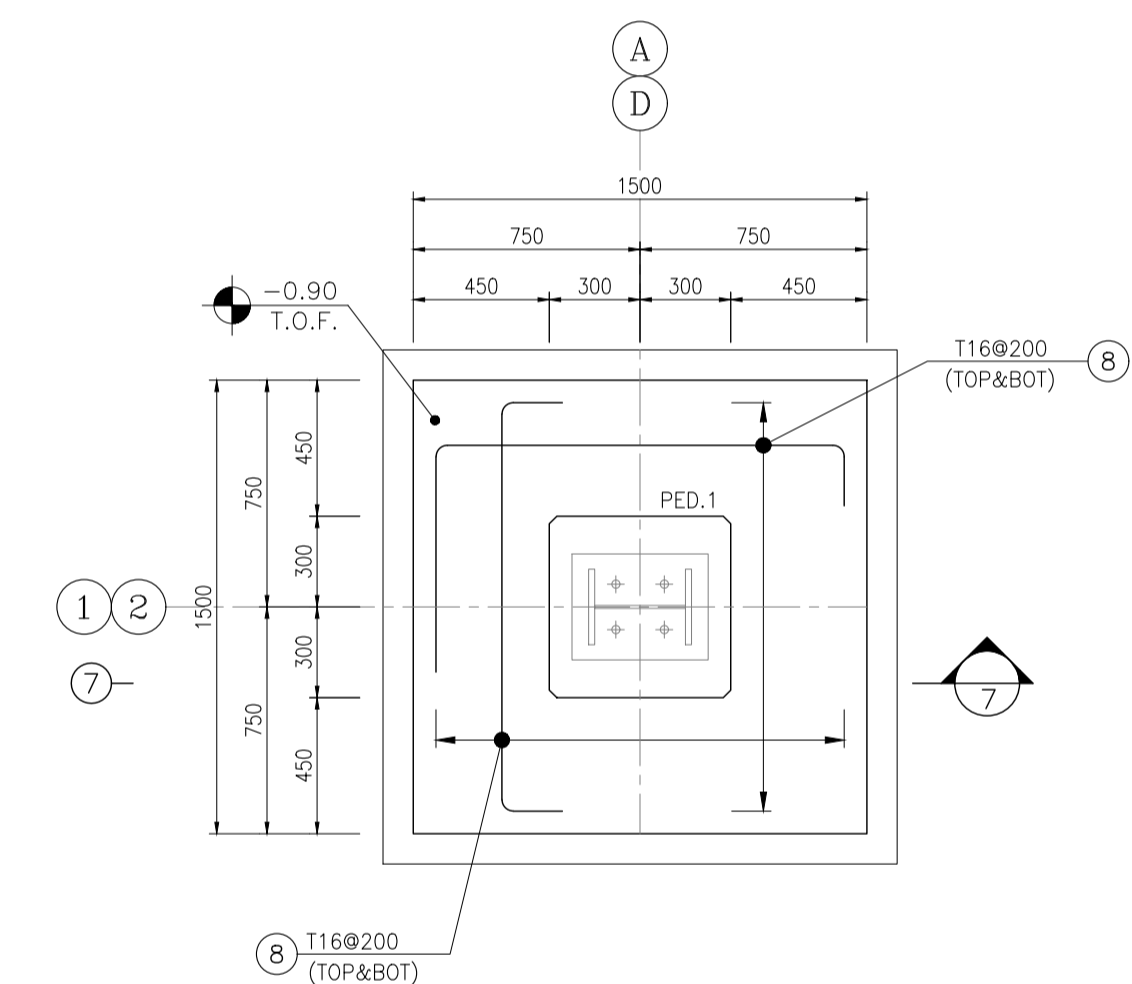
±0.00 = +11.20(F.G.L)MSL

LEGEND

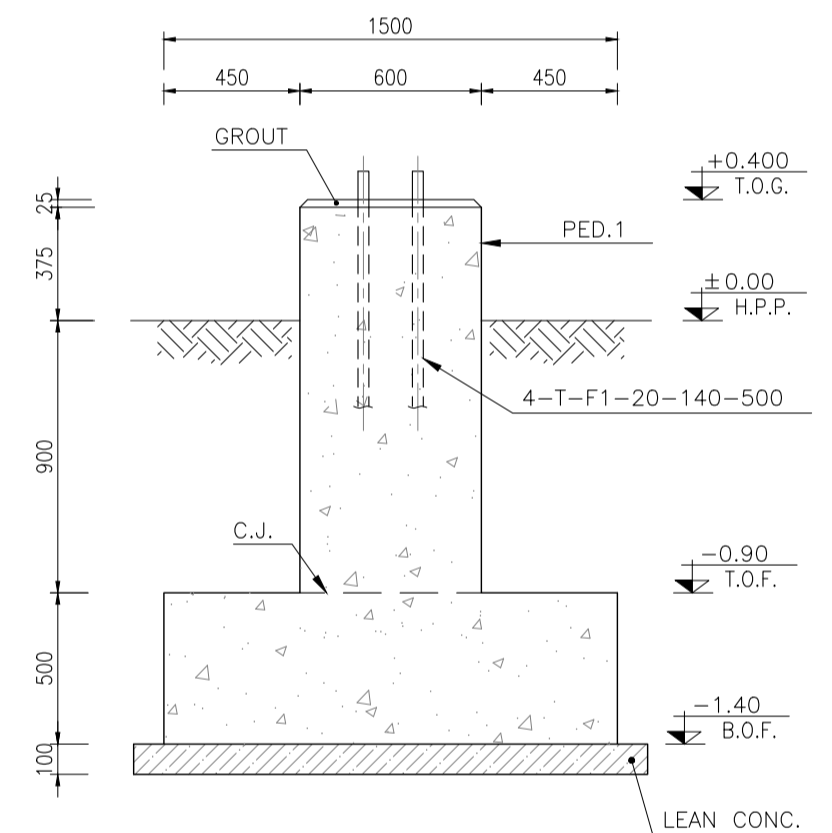
- H.P.P. : HIGH POINT OF PAVING
- B.O.F. : BOTTOM OF FOUNDATION
- REINFORCED CONCRETE
- LEAN CONCRETE
- GROUND

REFERENCE DRAWING	DRG. No.
ARCHITECTURAL DRAWING FOR UTILITY SHELTER	BK-GCS-PEDCO-120-AR-DW-0004
GENERAL NOTES-REINFORCED CONCRETE STRUCTURES	BK-GCS-PEDCO-120-AR-DW-0004
TYPICAL DETAILS FOR ANCHOR BOLTS	BK-GNRL-PEDCO-000-ST-DW-0002
STRUCTURAL DRAWING FOR UTILITY SHELTER	BK-GCS-PEDCO-120-ST-DW-0068
SPECIFICATION FOR CONCRETE WORK	BK-GNRL-PEDCO-000-ST-SP-0001
CALCULATION NOTE FOR UTILITY SHELTER	BK-GCS-PEDCO-120-ST-CN-0008
STRUCTURAL DRAWING FOR UTILITY SHELTER	BK-GCS-PEDCO-120-ST-DW-0068
GEOTECHNICAL INVESTIGATION REPORT FOR COMPRESSOR STATION	BK-GCS-PEDCO-120-GT-RT-0001
UNIT PLOT PLAN DRAWING	BK-GCS-PEDCO-120-PI-PY-0001

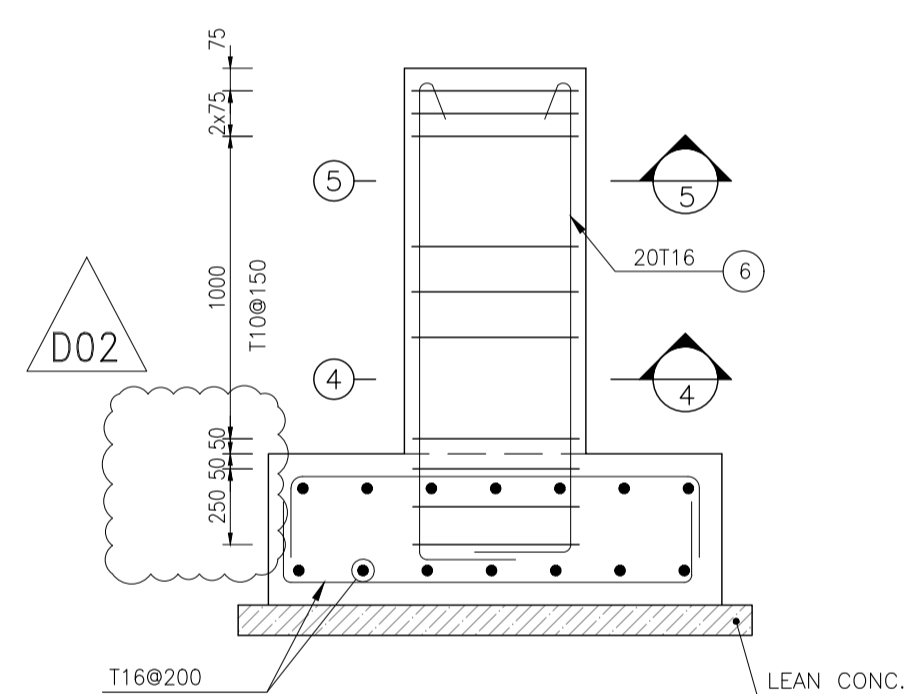
CHECK SHAVAD



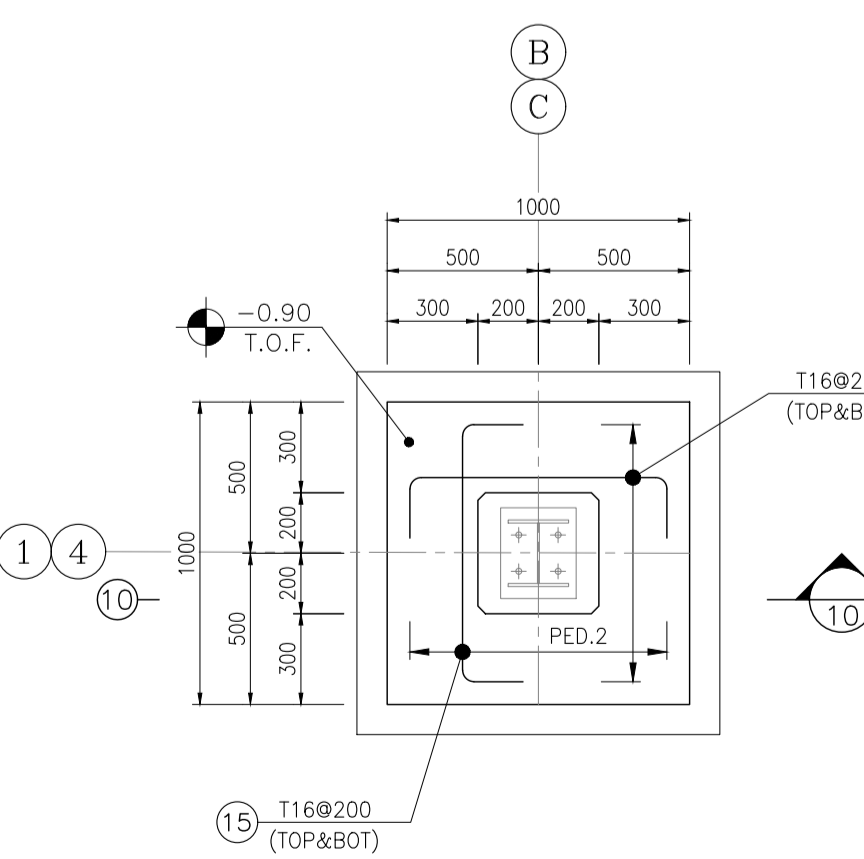
FOUNDATION PLAN F2  
REINFORCEMENT  
N=4



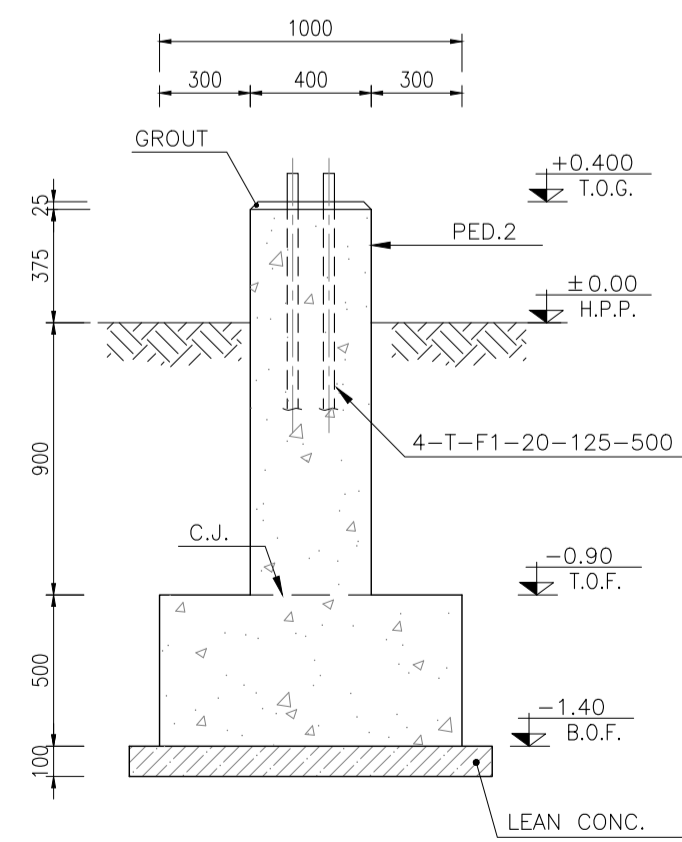
1:25 FORMWORK  
N=4



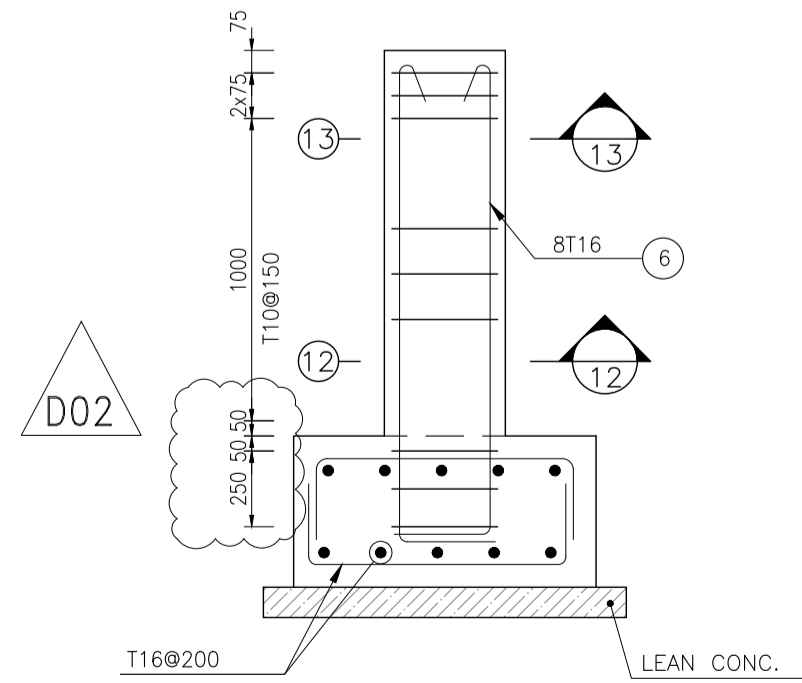
1:25 REINFORCEMENT  
N=4



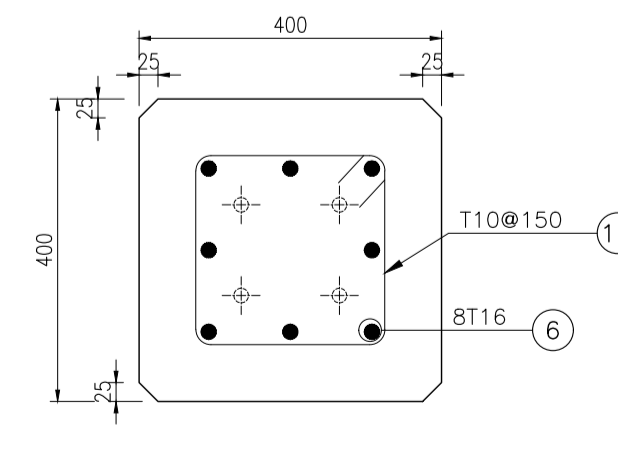
FOUNDATION PLAN F3  
REINFORCEMENT  
N=4



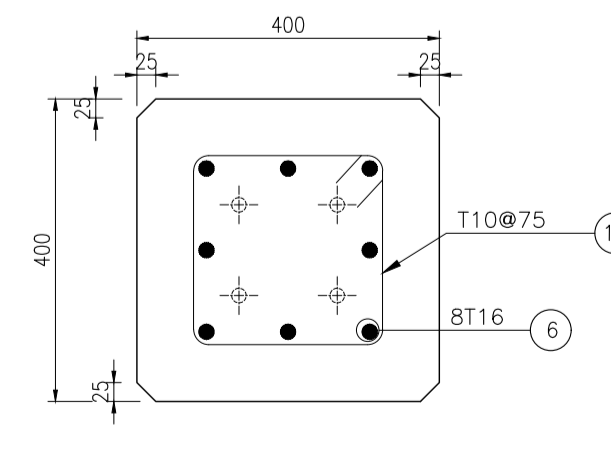
1:25 FORMWORK  
N=4



1:25 REINFORCEMENT  
N=4



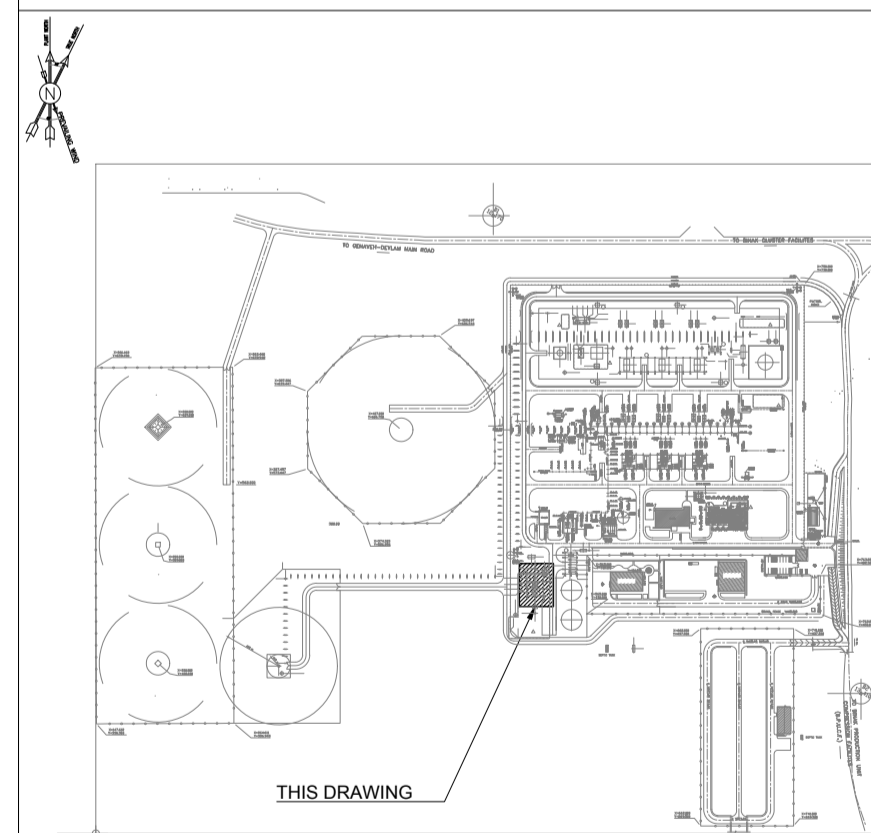
1:10 PEDESTAL TYPE 3  
REINFORCEMENT



1:10 PEDESTAL TYPE 3  
REINFORCEMENT

Pos	Spec.	Shape	L/A	No.	T10	T16
1	T16	250   8750	9	12		108
2	T16	250   8900	9.15	12		109.8
3	T16	250   7150	7.4	6		44.4
4	T16	250   7750	8	12		96
5	T16	250   6650	6.9	6		41.4
6	T16	1550   250	2.05	112		229.6
7	T16	1650   250	2.15	80		172
8	T16	250   1350   250	1.85	128		236.8
9	T10	350   350   100	1.6	208	355.2	
10	T16	250   6600   250	7.1	44		312.4
11	T16	250   1850   250	2.35	140		329
12	T10	250   450   100	1.2	52	62.4	
13	T10	450   450   100	2	104	208	
14	T10	450   120   100	1.34	80	107.2	
15	T16	250   850   250	1.35	96		129.6
TOTAL LENGTH OR AREA (m/m <sup>2</sup> )					710.40	1809
UNIT WEIGHT (Kg)					0.617	1.578
WEIGHT (Kg)					437.97	2855.12
GRAND TOTAL (Kg)					≈ 3300 Kg.	

KEY PLAN



REV.	DATE	DESCRIPTION	BY	DATE	BY	DATE
D02	JAN.2024	APC	R.BERLOUIE	M.FAKHARIAN	S.FARMAZPOUR	***
D01	OCT.2023	IFA	R.BERLOUIE	M.FAKHARIAN	S.FARMAZPOUR	***
D00	JUN.2023	IFC	R.BERLOUIE	M.FAKHARIAN	A.M.MOHSENI	***

PROJECT NAME: BINAK OILFIELD DEVELOPMENT/SURFACE FACILITIES GAS COMPRESSOR STATION

PROJECT NO.: 971020

EPC CONTRACTOR: HIRGAN ENERGY - DESIGN & INSPECTION COMPANIES

EPD/EPC CONTRACTOR (GC): PETROIRAN DEVELOPMENT COMPANY

DRAWING TITLE: FOUNDATION DRAWING FOR UTILITY SHELTER

SCALE	SIZE	DRAWING NO.	SHEET NO.	REV.	BUDGET REF.	LOCATION	SIZE	CLASS	SERIAL NO.	SHEET	REVISION
AS SHOWN	A1	BK-GCS-PEDCO-120-ST-DW-0067	02	D02	053-073-9184	F	4	Q	709204	02 OF 02	D02