

BAR BENDING SCHEDULE--FOUNDATION								
Pos	Spec.	Shape	L	No.	T10	T12	T16	
1	T16	250	2750	3.00	32		96.0	
2	T16	200	5700	200	6.10	12	73.2	
3	T16	200	4700	200	5.10	12	61.2	
4	T12	150	5700	150	6.00	32	192.0	
5	T12	150	4700	150	5.00	42	210.0	
6	T12	150	3650	150	3.95	14	55.6	
7	T12	150	3200	150	3.50	10	35.0	
8	T12	150	1500	150	1.80	10	18.0	
9	T12	200	200	100	1.00	164	164.0	
10	T10	200	200	100	1.00	206	206.0	
TOTAL LENGTH (m)						206.0	674.6	230.4
UNIT WEIGHT (Kg/m)						0.617	0.888	1.578
WEIGHT (Kg)						127.11	599.05	363.58
TOTAL WEIGHT (Kg)						1090 Kg.		

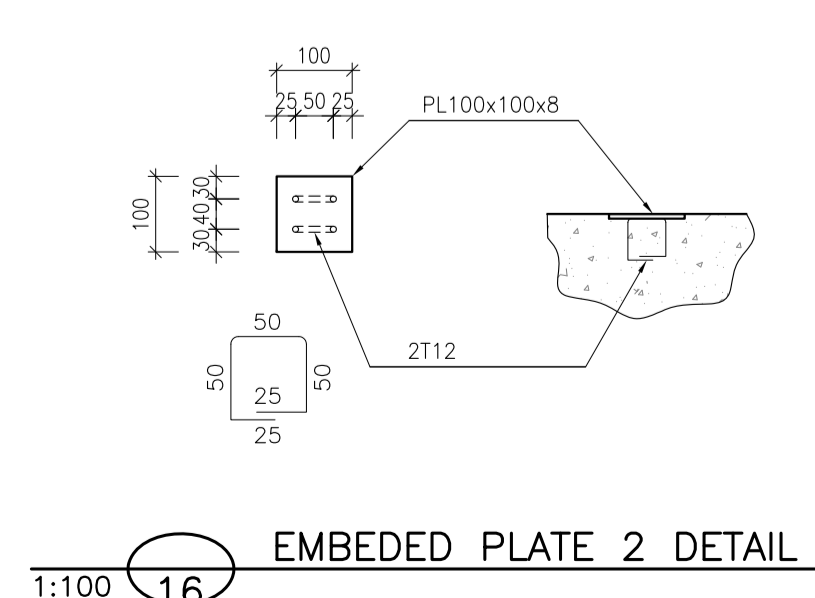
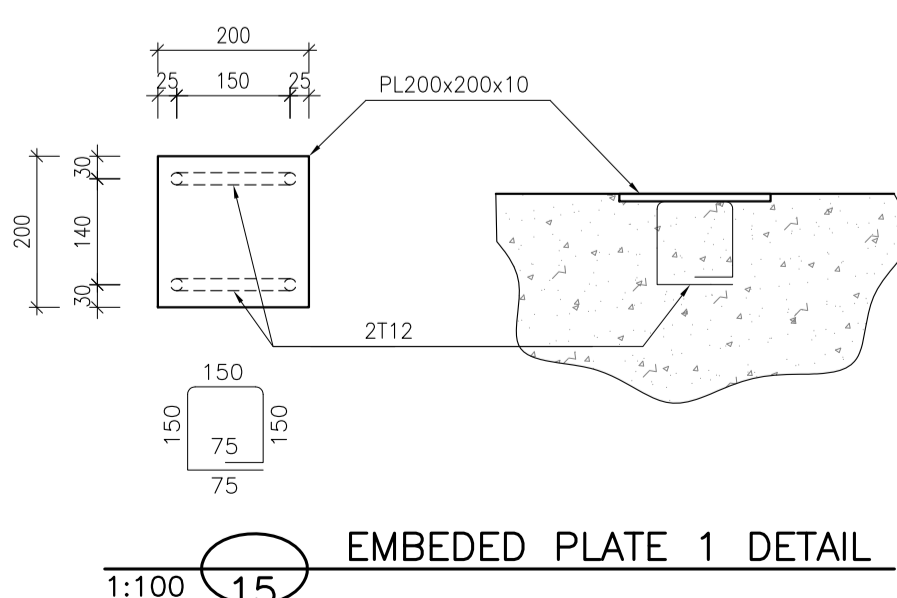
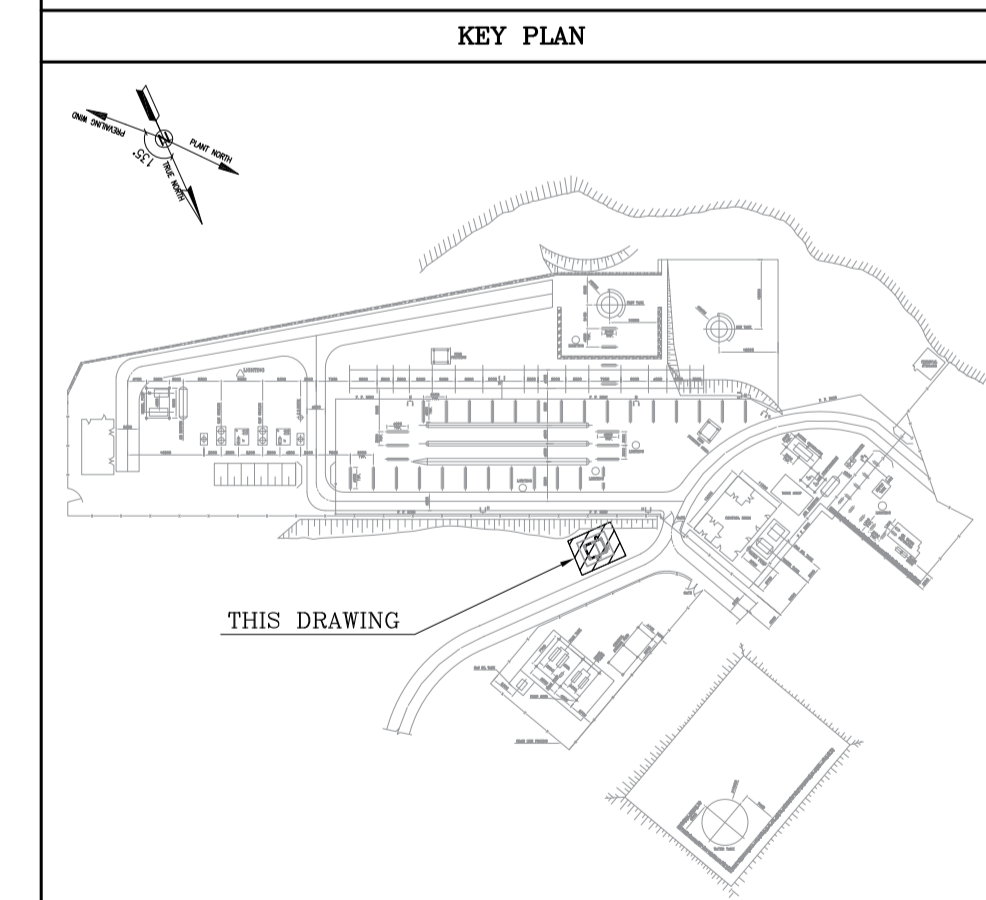
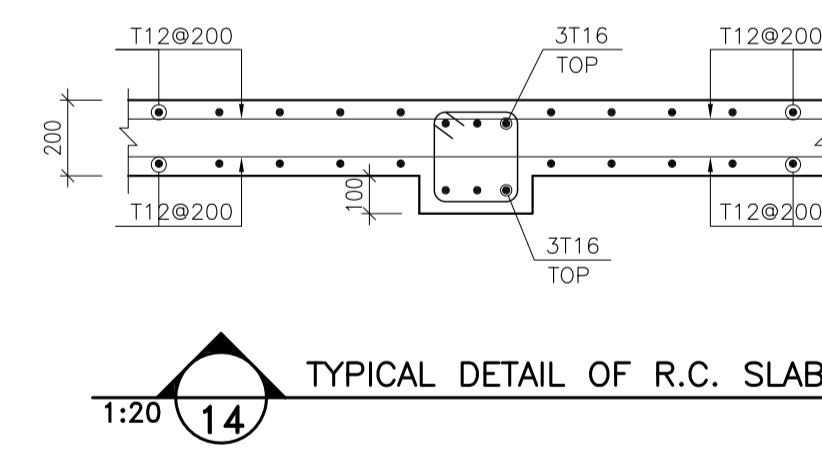
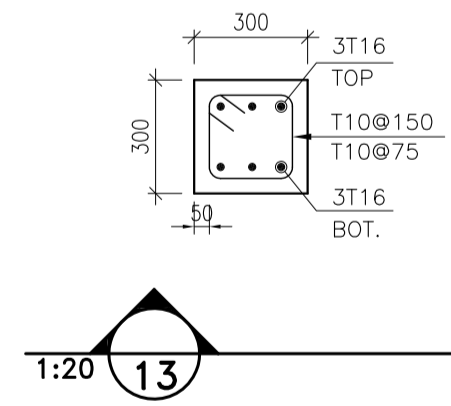
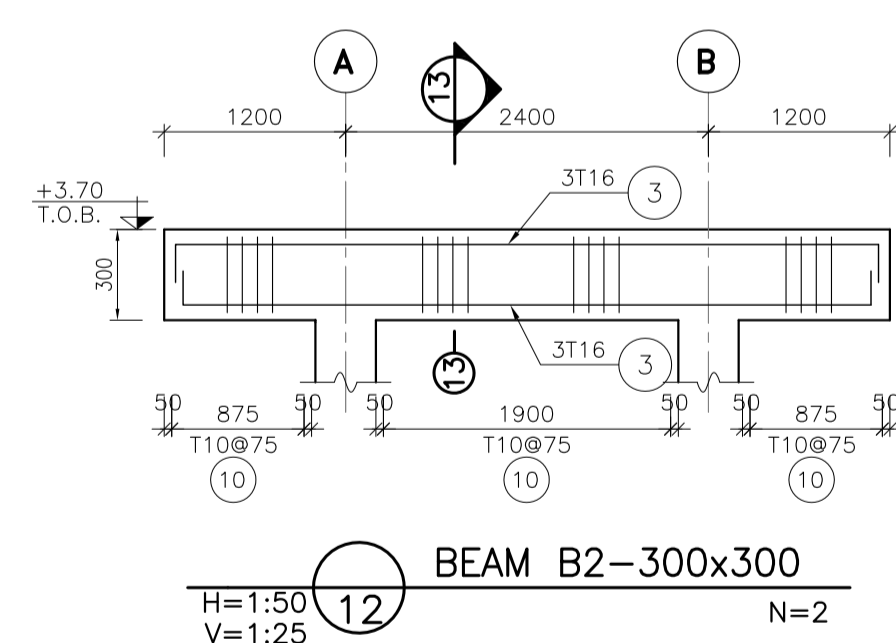
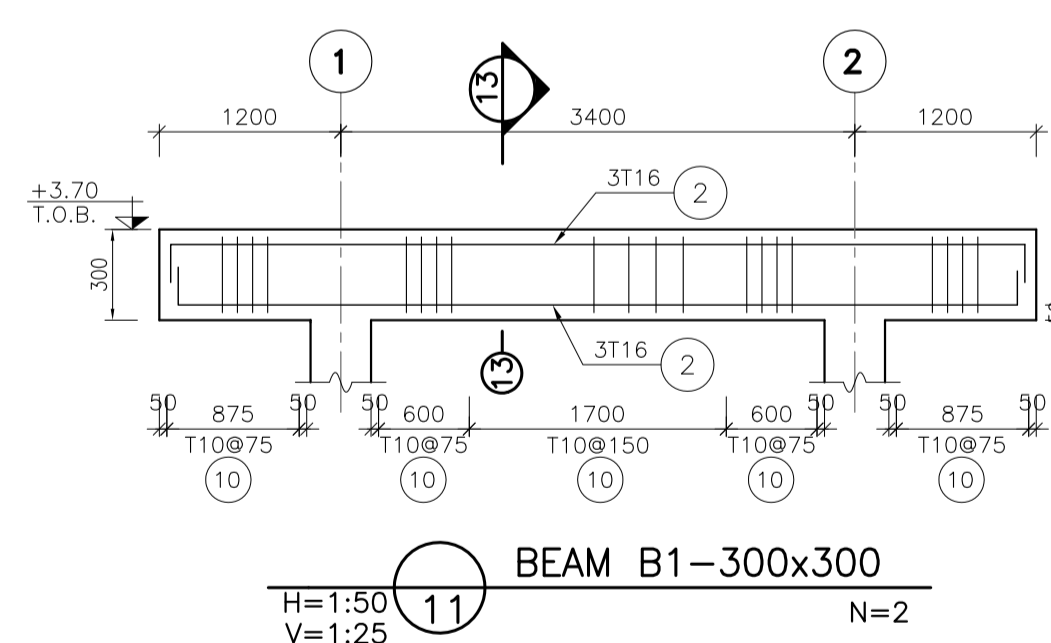
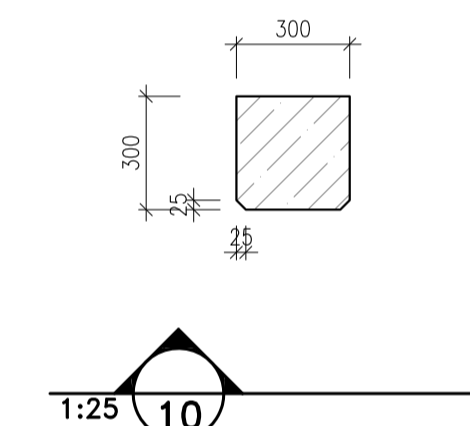
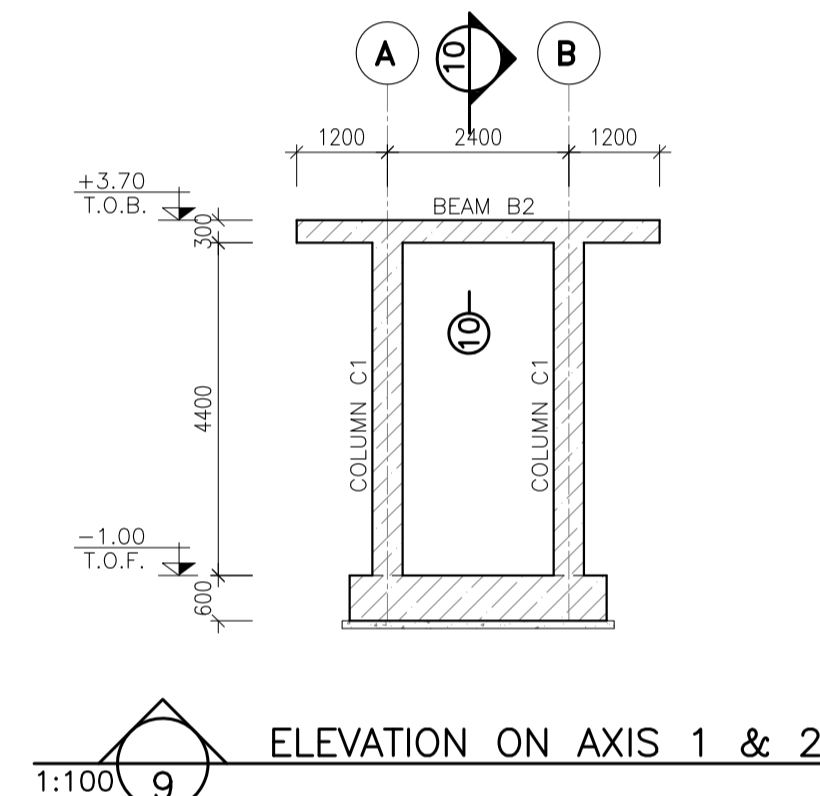
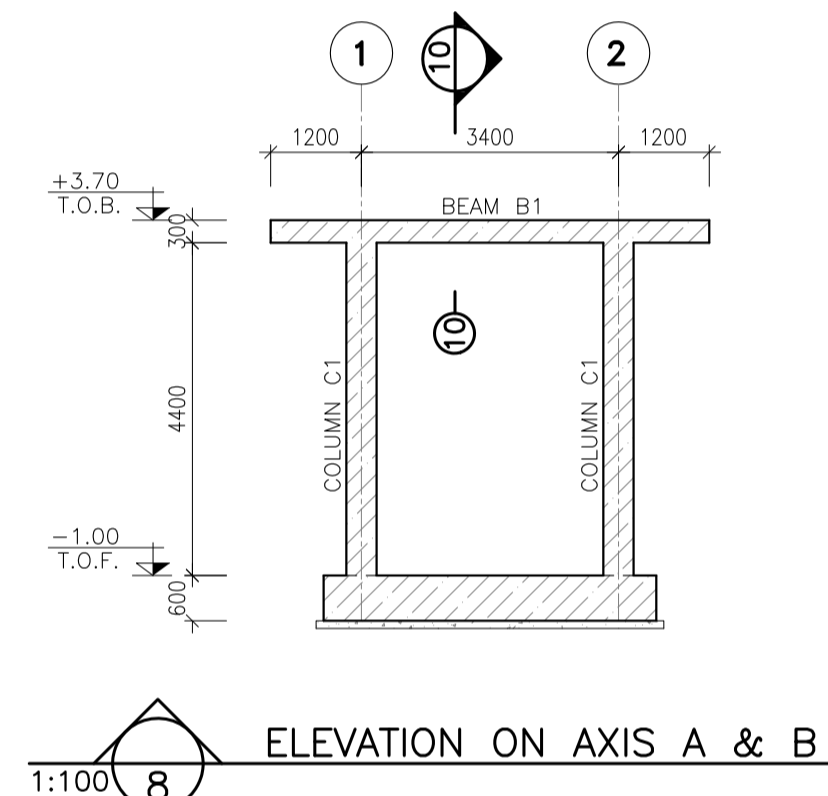
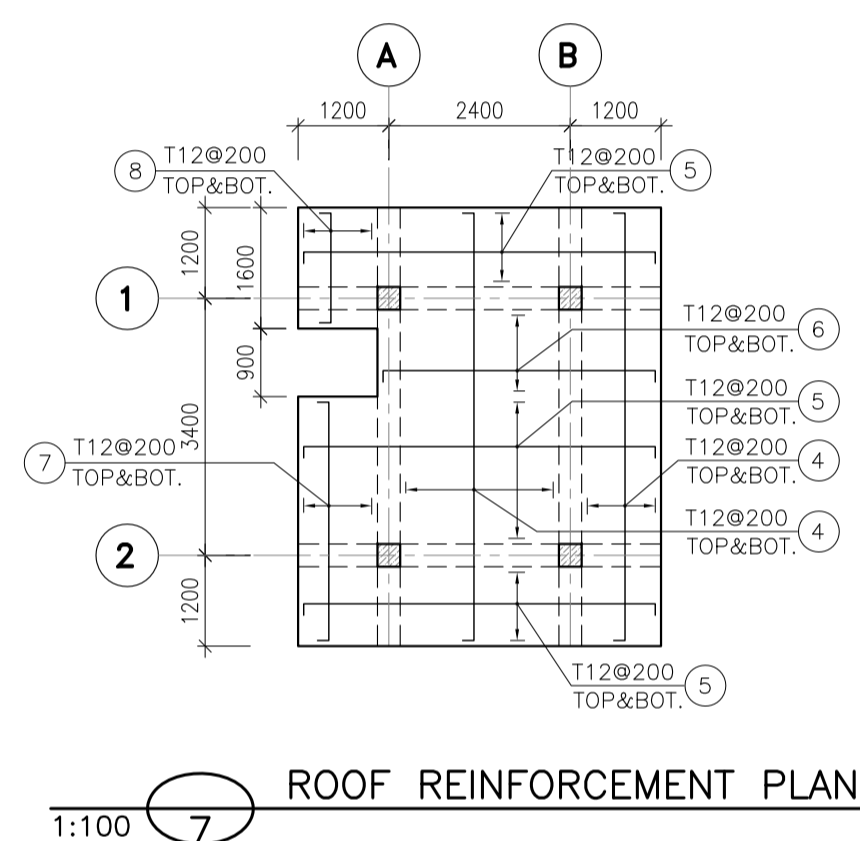
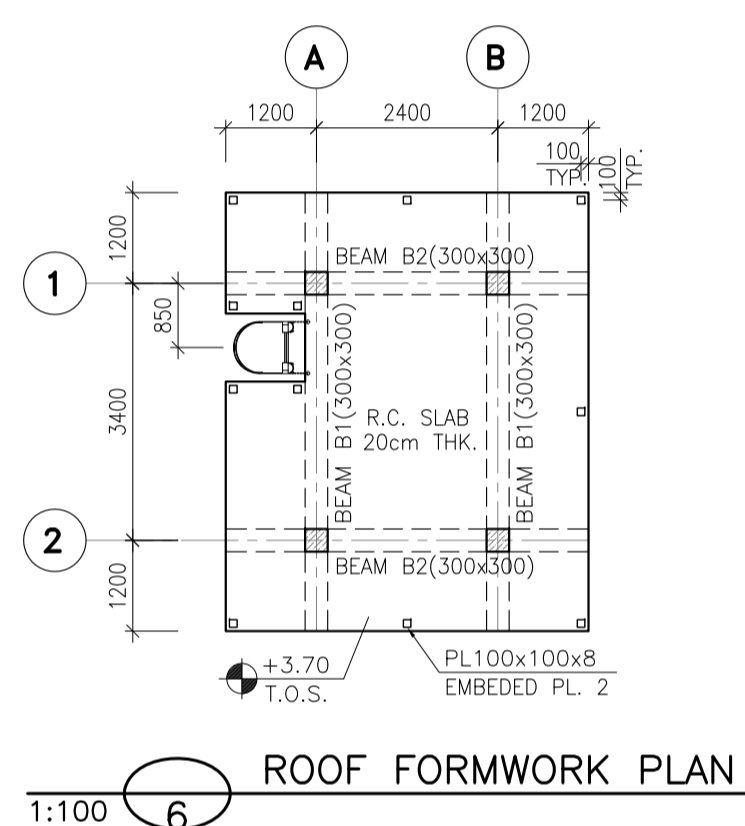
- NOTES**
- 1) ALL ELEVATIONS AND COORDINATES ARE IN "m" AND DIMENSIONS ARE IN "mm" UNLESS OTHERWISE NOTED.
 - 2) ALL DIMENSIONS AND ELEVATIONS SHALL BE CHECKED BY THE CONTRACTOR PRIOR TO CONSTRUCTION.
 - 3) ACCORDING TO THE SPECIFICATION OF CONCRETE WORKS: "BK-GNRL-PEDCO-000-ST-SP-0001", 28 DAYS CHARACTERISTIC COMPRESSIVE STRENGTH OF MAIN CONCRETE IS 30 MPa
 - 4) ACCORDING TO THE SPECIFICATION OF CONCRETE WORKS: "BK-GNRL-PEDCO-000-ST-SP-0001", 28 DAYS CHARACTERISTIC COMPRESSIVE STRENGTH OF LEAN CONCRETE IS 15 MPa
 - 5) REINFORCING BARS SHALL BE S400 ACCORDING TO: ISIRI3132 AND INBC9 WITH MINIMUM TENSILE YIELD STRENGTH 400 N/mm²
 - 6) CONCRETE COVER OVER BARS SHALL BE 75mm FOR FOUNDATION AND 50mm FOR BEAMS & COLUMNS.
 - 7) UNDERGROUND CONCRETE SHALL BE PROTECTED AND COATED ACCORDING TO RELEVANT SPECIFICATION.
 - 8) CEMENT TYPE 2 SHALL BE USED ACCORDING TO GEOTECHNICAL REPORT SUGGESTION.

LEGEND

F.G.L. : FINISH GROUND LEVEL
T.O.F. : TOP OF FOUNDATION
T.O.S. : TOP OF SLAB
T.O.B. : TOP OF BEAM

REINFORCED CONCRETE
LEAN CONCRETE
GROUND

REFERENCE DRAWING	DRG. No.
ARCHITECTURAL DRAWING FOR CCTV BACK ROOM-BINAK PU	BK-GCS-PEDCO-120-AR-DW-0010
FOUNDATION DRAWING FOR CCTV BACK ROOM-BINAK PU	BK-GCS-PEDCO-120-ST-DW-0079
GENERAL NOTES-REINFORCED CONCRETE STRUCTURES	BK-GNRL-PEDCO-000-ST-DW-0012
STANDARD DRAWING FOR INSERT PLATES IN CONCRETE	BK-GNRL-PEDCO-000-ST-DW-0007
BINAK PRODUCTION UNIT COMPRESSION FACILITIES PLOT PLAN	8001-DWG-PD-163



REV.	DATE	P.O.I.S	PREP.	CHK.	APP.	AUT.	DESCRIPTION	BY	DATE	BY	DATE
D01	JAN.2024	IFA	R.BERLOUIE	M.PAKHARIAN	S.FARMAZPOUR	...					
D00	SEP.2023	IFC	R.BERLOUIE	M.PAKHARIAN	S.FARMAZPOUR	...					

PROJECT NAME: **BINAK OILFIELD DEVELOPMENT/SURFACE FACILITIES GAS COMPRESSOR STATION**

PROJECT NO.: 971020

EPC CONTRACTOR: **HIRGAN ENERGY**

EPD/EPC CONTRACTOR (GC): **PETROIRAN DEVELOPMENT COMPANY**

DRAWING TITLE: **STRUCTURAL DRAWING FOR CCTV RACK ROOM BINAK PU**

NO CONSTRUCTION PERMITTED UNLESS DRAWING APPROVED

SCALE	SIZE	DRAWING NO.	SHEET NO.	REV.	BUDGET REF.	LOCATION	SIZE CLASS	SERIAL NO.	SHEET	REVISION
AS SHOWN	A1	BK-GCS-PEDCO-120-ST-DW-0080	1 OF 1	D01	053-073-9184	F	4	M	709407	1