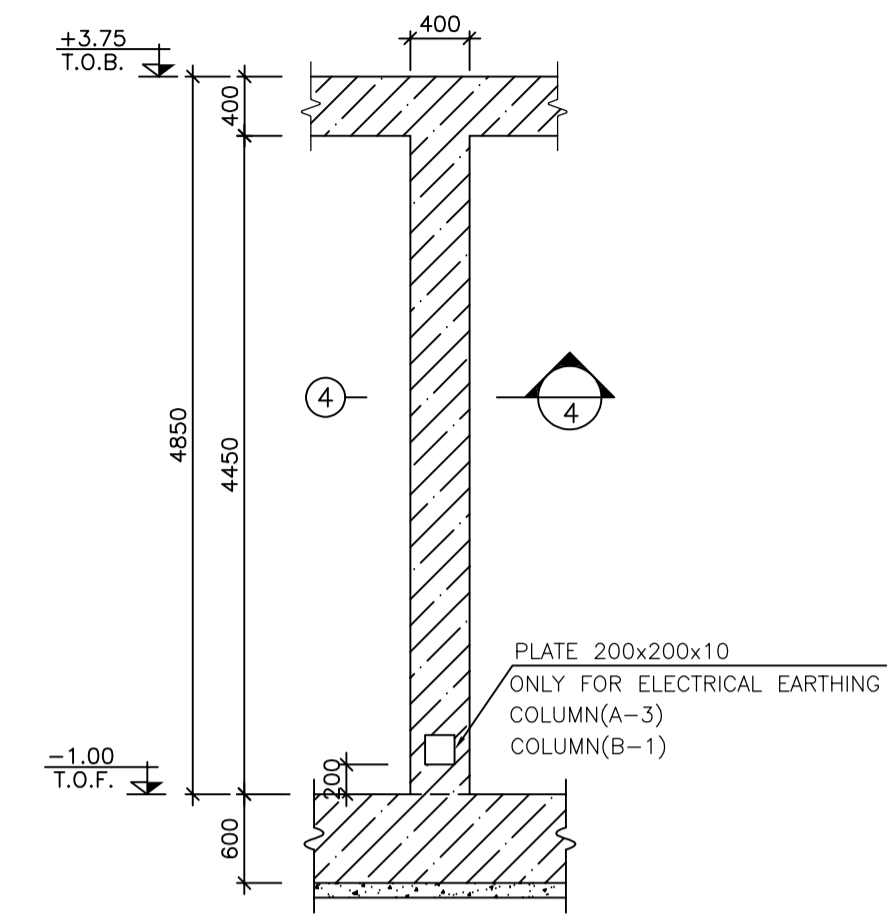
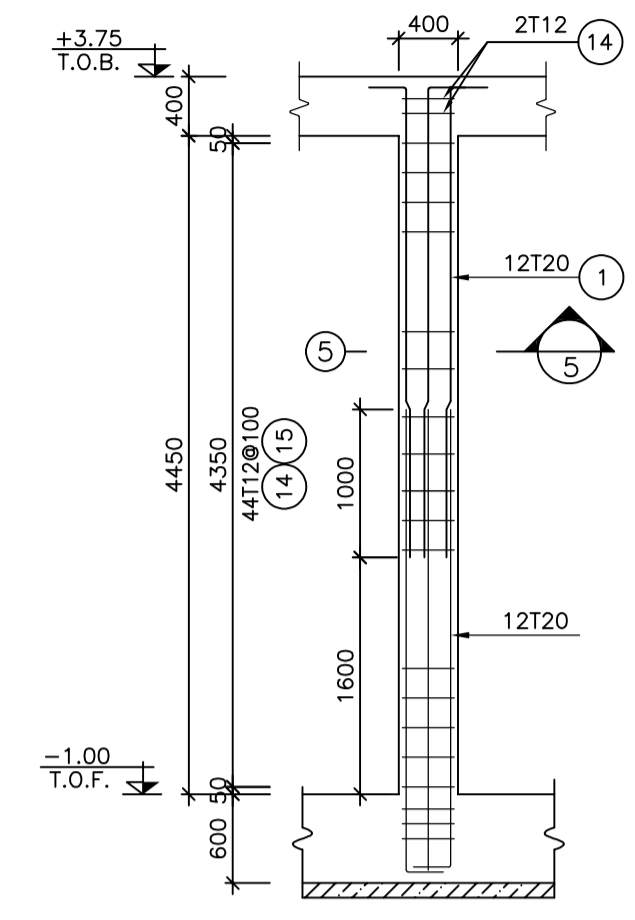


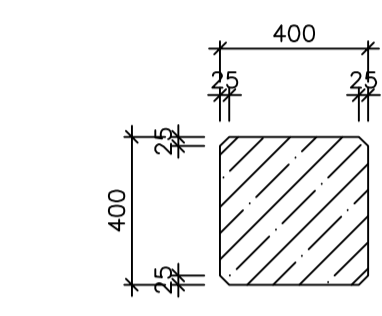
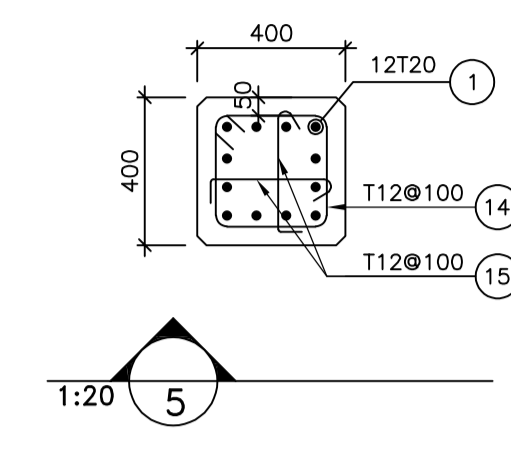
1:100 COLUMN LAYOUT PLAN



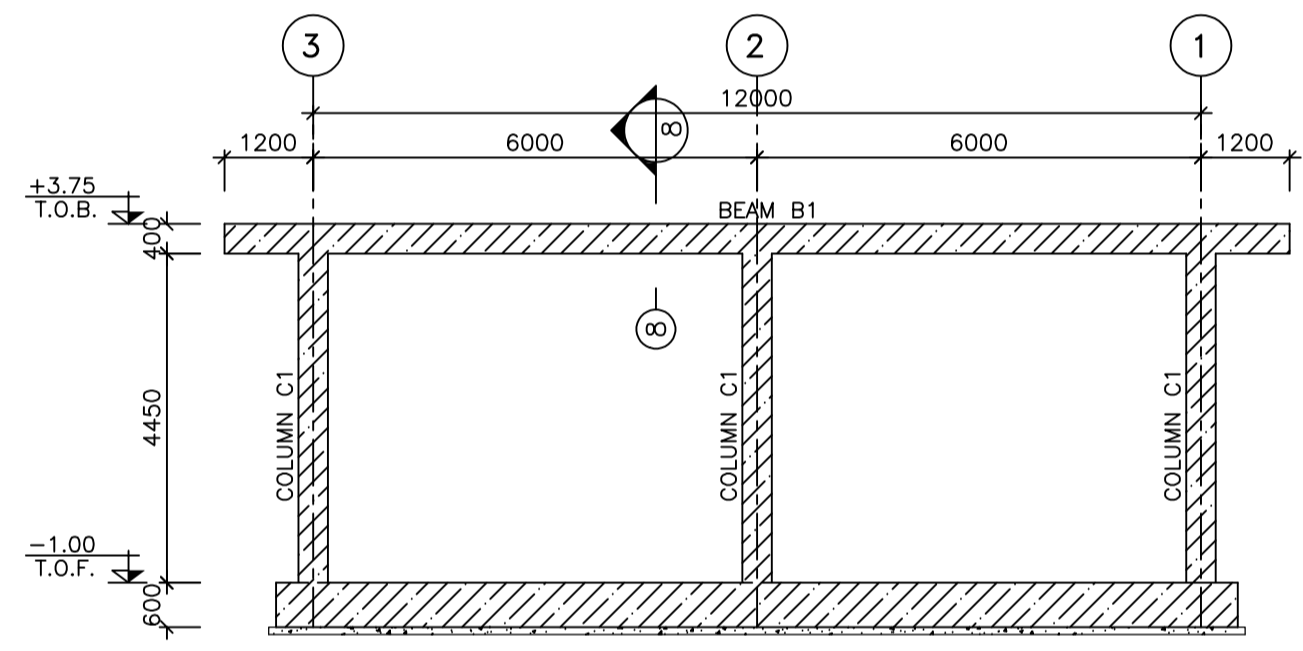
1:50 COLUMN TYPE C1 FORMWORK N=6



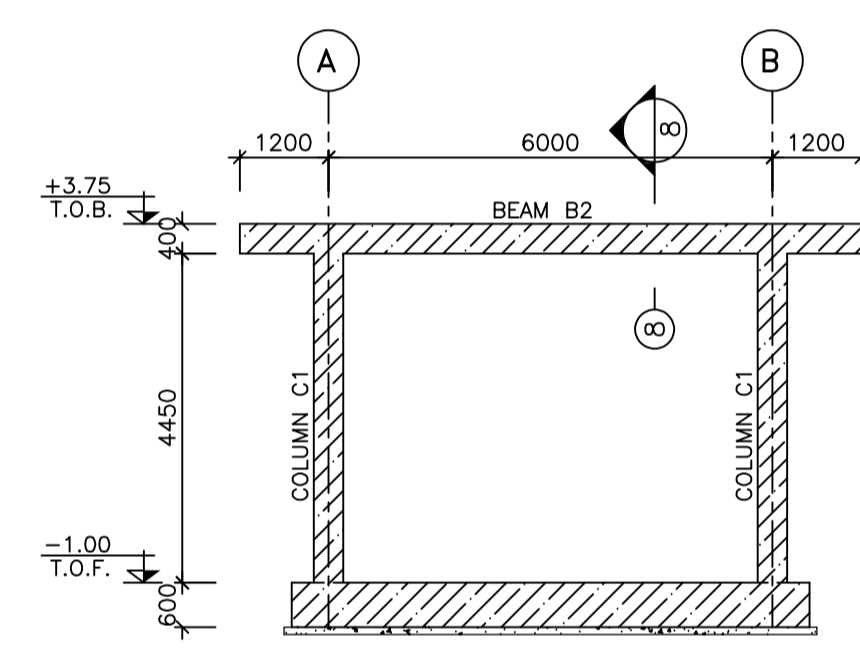
1:50 COLUMN TYPE C1 REINFORCEMENT N=6



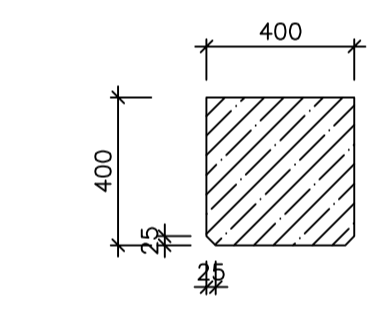
1:20



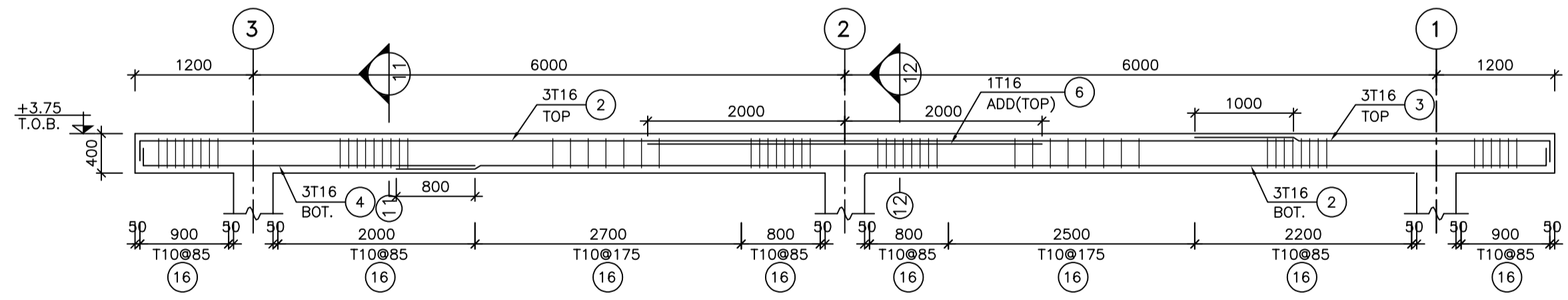
1:100 ELEVATION ON AXIS A & B



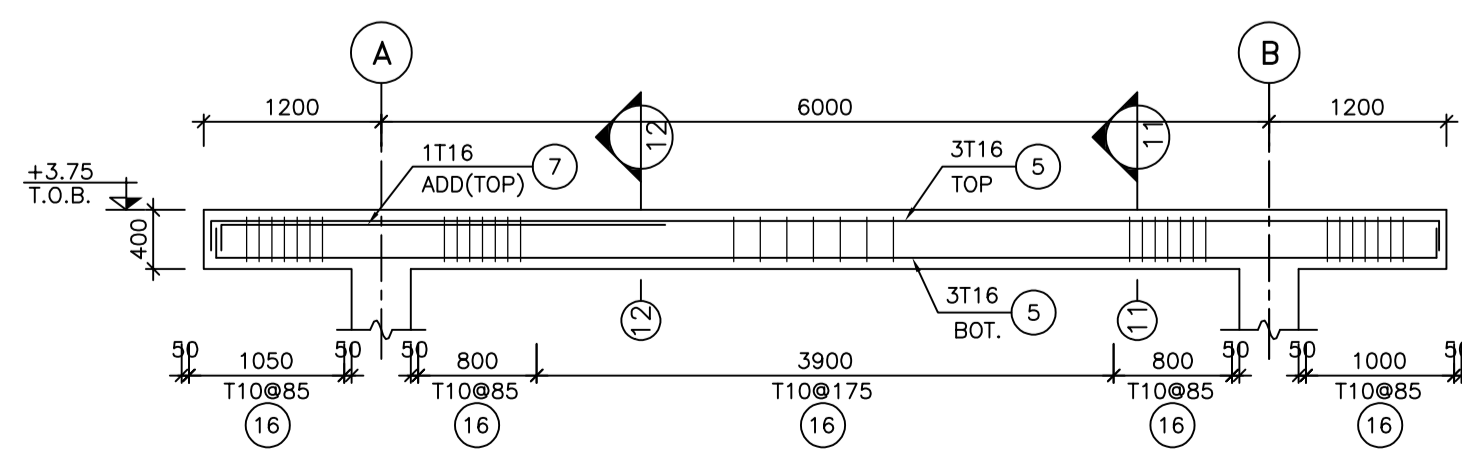
1:100 ELEVATION ON AXIS 1, 2 & 3



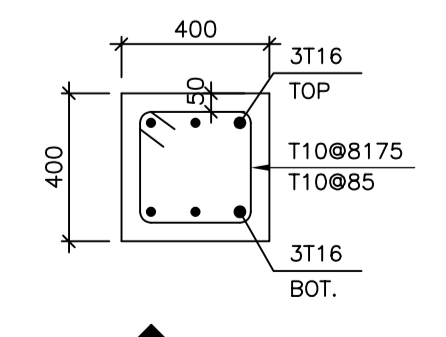
1:25



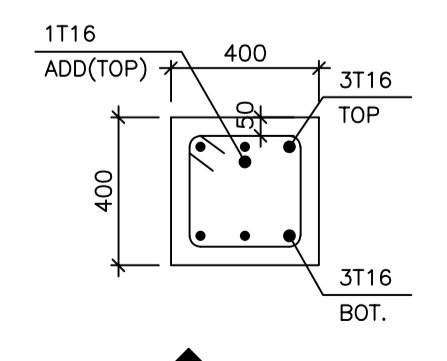
1:50 BEAM B1-400x400 N=2



1:50 BEAM B2-400x400 N=3



1:20



1:20

NOTES

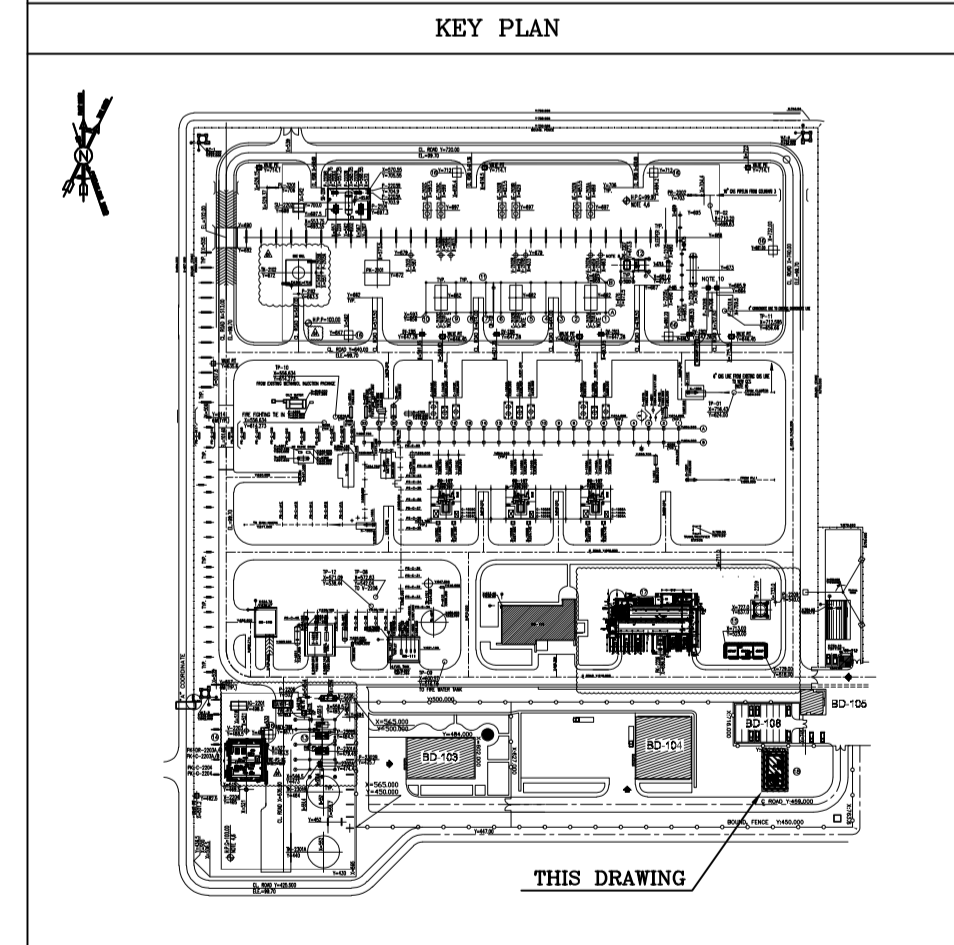
- ALL ELEVATIONS AND COORDINATES ARE IN "m" AND DIMENSIONS ARE IN "mm" UNLESS OTHERWISE NOTED.
- ALL DIMENSIONS AND ELEVATIONS SHALL BE CHECKED BY THE CONTRACTOR PRIOR TO CONSTRUCTION.
- ACCORDING TO THE SPECIFICATION OF CONCRETE WORKS: "BK-GNRL-PEDCO-000-ST-SP-0001" 28 DAYS CHARACTERISTIC COMPRESSIVE STRENGTH OF MAIN CONCRETE IS 30 MPa
- ACCORDING TO THE SPECIFICATION OF CONCRETE WORKS: "BK-GNRL-PEDCO-000-ST-SP-0001" 28 DAYS CHARACTERISTIC COMPRESSIVE STRENGTH OF LEAN CONCRETE IS 15 MPa
- REINFORCING BARS SHALL BE S400 ACCORDING TO: ISIRI3132 AND INBC9 WITH MINIMUM TENSILE YIELD STRENGTH 400 N/mm²
- CONCRETE COVER OVER BARS SHALL BE 75mm FOR FOUNDATION AND 50mm FOR BEAMS & COLUMNS.
- UNDERGROUND CONCRETE SHALL BE PROTECTED AND COATED ACCORDING TO RELEVANT SPECIFICATION.
- CEMENT TYPE 2 SHALL BE USED ACCORDING TO GEOTECHNICAL REPORT SUGGESTION.
- FILL MATERIAL SHALL BE COMPACTED TO NOT LESS THAN 95% OF THE MAXIMUM DENSITY AS DETERMINED BY ASTM D-1557 (MODIFIED PROCTOR) METHOD.

±0.00 = HOLD (F.G.L)MSL

LEGEND

	REINFORCED CONCRETE	F.G.L. : FINISH GROUND LEVEL
	LEAN CONCRETE	T.O.F. : TOP OF FOUNDATION
	GROUND	T.O.S. : TOP OF SLAB
		T.O.B. : TOP OF BEAM
		F.G.L. : FINISH GROUND LEVEL

REFERENCE DRAWING	DRG. No.
ARCHITECTURAL DRAWING FOR CCTV CONTROL ROOM BINAK GCS	BK-GCS-PEDCO-120-AR-DW-0008
FOUNDATION DRAWING FOR CCTV CONTROL ROOM - BINAK GCS	BK-GCS-PEDCO-120-AR-DW-0075
GENERAL NOTES-REINFORCED CONCRETE STRUCTURES	BK-GNRL-PEDCO-000-ST-DW-0012
STANDARD DRAWING FOR INSERT PLATES IN CONCRETE	BK-GNRL-PEDCO-000-ST-DW-0007
UNIT PLOT PLAN DRAWING	BK-GCS-PEDCO-120-PI-PY-0001



REV.	DESCRIPTION	BY	DATE	CHECKED	REV. APPR.	
D02	FEB.2024	AFD	R.BERLOUË	M.PAKHARIAN	S.FARAMARZPOUR	***
D01	JAN.2024	IFA	R.BERLOUË	M.PAKHARIAN	S.FARAMARZPOUR	**
D00	SEP.2023	IFC	R.BERLOUË	M.PAKHARIAN	S.FARAMARZPOUR	***

PROJECT NAME: BINAK OILFIELD DEVELOPMENT/SURFACE FACILITIES GAS COMPRESSOR STATION

PROJECT NO.: 971020

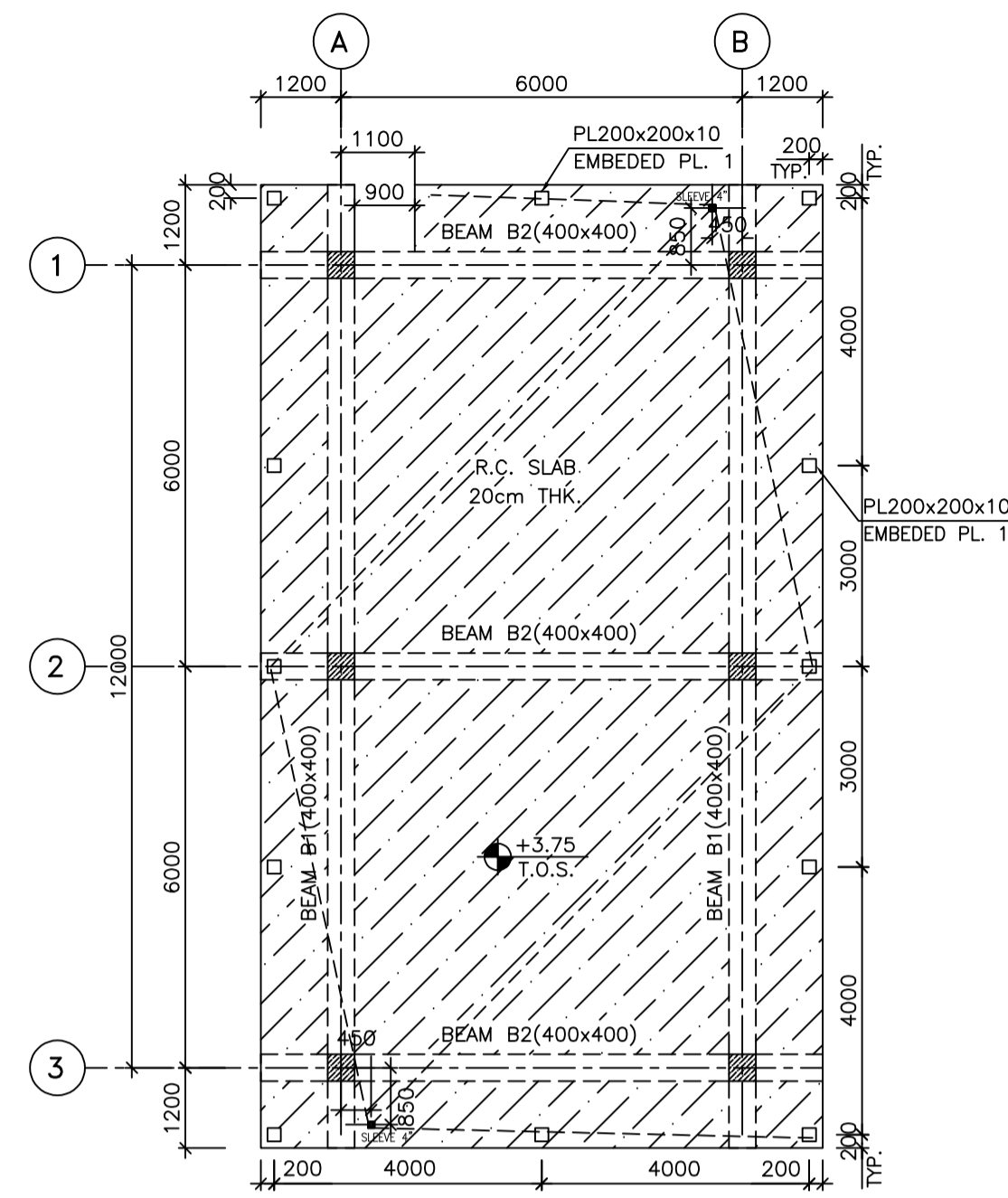
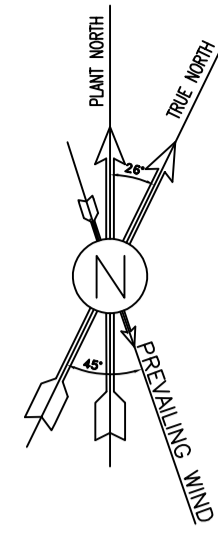
EPC CONTRACTOR: HIRGAN ENERGY - DESIGN & INSPECTION COMPANIES

EPD/EPC CONTRACTOR (GC): PETROIRAN DEVELOPMENT COMPANY

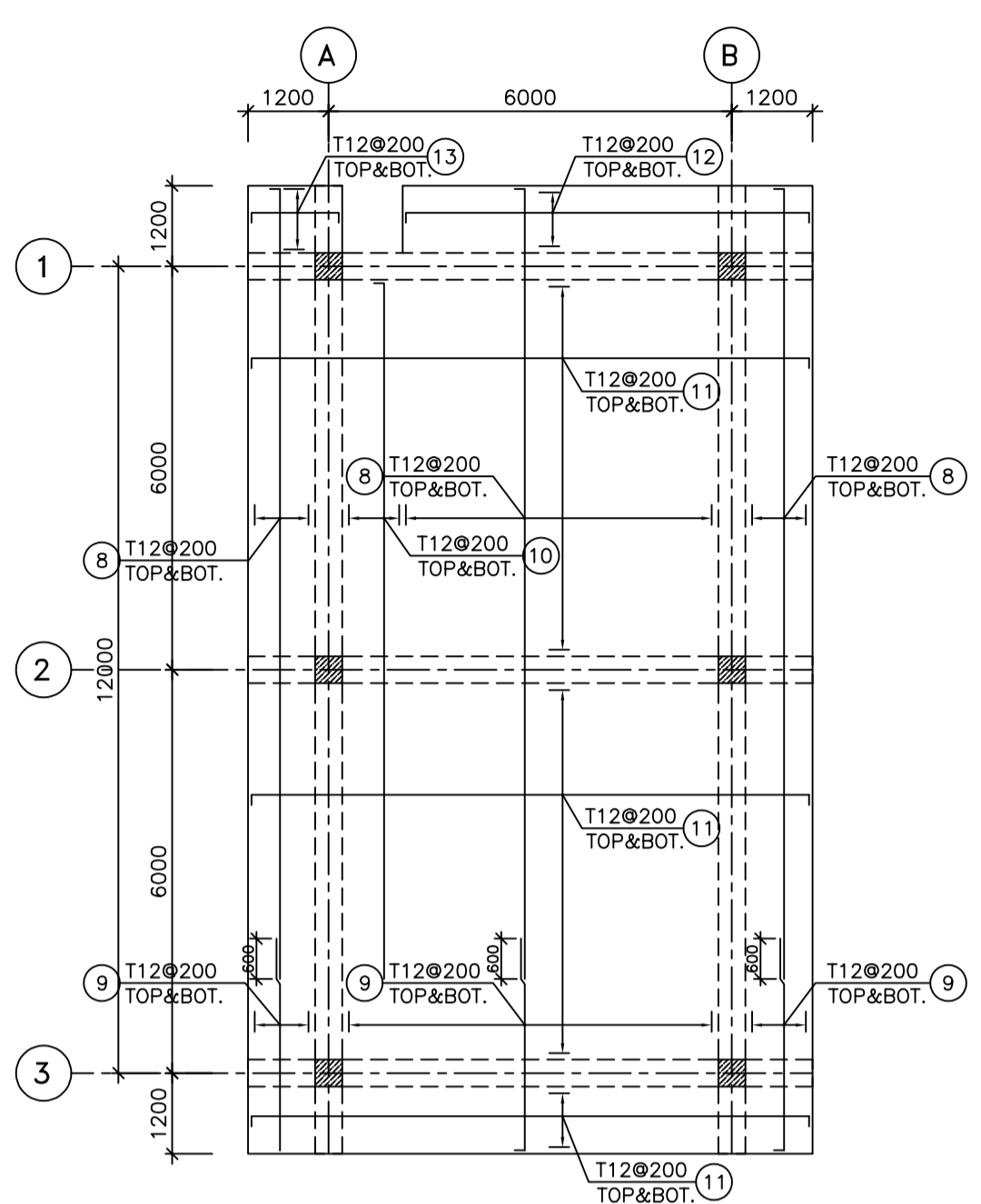
DRAWING TITLE: STRUCTURAL DRAWING FOR CCTV CONTROL ROOM - BINAK GCS

NO CONSTRUCTION PERMITTED UNLESS DRAWING APPROVED

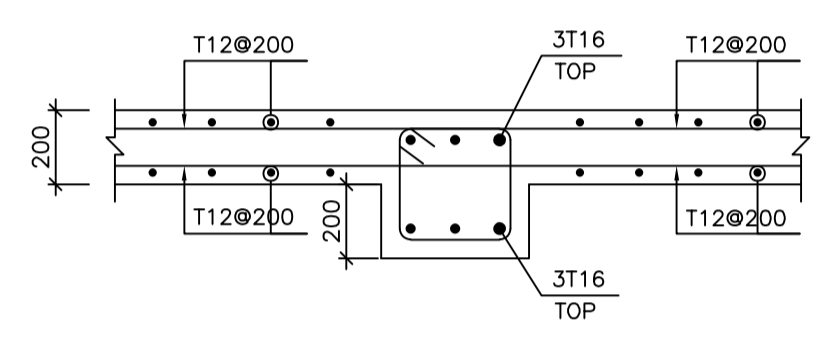
SCALE	SIZE	DRAWING NO.	SHEET NO.	REV.	BUDGET REF.	LOCATION	SIZE	CLASS	SERIAL NO.	SHEET	REVISION
AS SHOWN	A1	BK-GCS-PEDCO-120-ST-DW-0076	1 OF 2	D02	053-073-9184	F	4	M	709403	1 OF 2	D02



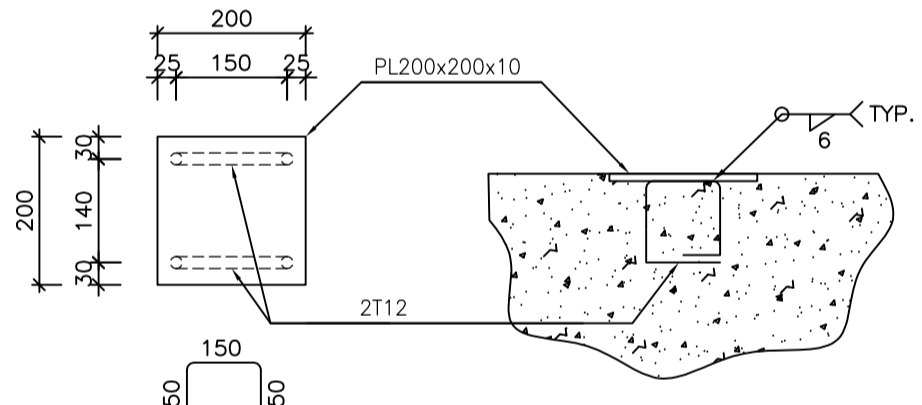
1:100 (1) ROOF FORMWORK PLAN T.O.S.=+3.75



1:100 (2) ROOF REINFORCEMENT PLAN



1:25 (3) TYPICAL DETAIL OF R.C. SLAB



1:100 (4) EMBEDDED PLATE 1 DETAIL

BAR BENDING SCHEDULE--FOUNDATION									
Pos	Spec.	Shape	L	No.	T10	T12	T16	T20	
1	T20	350	3100	3.45	72			248.4	
2	T16	250	11750	12.0	12			144.0	
3	T16	250	3550	3.80	6			22.6	
4	T16	250	3350	3.60	6			21.6	
5	T16	250	8300	8.80	12			105.6	
6	T16		4000	4.00	2			8.0	
7	T16	250	3250	3.50	3			10.5	
8	T12	150	11850	12.0	66			792.0	
9	T12	150	3050	3.20	76			243.2	
10	T12	150	10450	10.6	10			106.0	
11	T12	150	8300	8.60	122			1049.2	
12	T12	150	6000	6.30	10			63.0	
13	T12	150	1300	1.60	10			16.0	
14	T12	300	300	1.40	276			386.4	
15	T12	100	300	0.50	528			264.0	
16	T10	300	300	1.40	440	616.0			
TOTAL LENGTH (m)					616.0	2919.8	312.3	248.4	
UNIT WEIGHT (Kg/m)					0.617	0.888	1.578	2.466	
WEIGHT (Kg)					380.1	2592.8	492.8	612.6	
TOTAL WEIGHT (Kg)					4080 Kg.				

NOTES

- 1) ALL ELEVATIONS AND COORDINATES ARE IN "m" AND DIMENSIONS ARE IN "mm" UNLESS OTHERWISE NOTED.
- 2) ALL DIMENSIONS AND ELEVATIONS SHALL BE CHECKED BY THE CONTRACTOR PRIOR TO CONSTRUCTION.
- 3) ACCORDING TO THE SPECIFICATION OF CONCRETE WORKS: "BK-GNRL-PEDCO-000-ST-SP-0001" 28 DAYS CHARACTERISTIC COMPRESSIVE STRENGTH OF MAIN CONCRETE IS 30 MPa
- 4) ACCORDING TO THE SPECIFICATION OF CONCRETE WORKS: "BK-GNRL-PEDCO-000-ST-SP-0001" 28 DAYS CHARACTERISTIC COMPRESSIVE STRENGTH OF LEAN CONCRETE IS 15 MPa
- 5) REINFORCING BARS SHALL BE S400 ACCORDING TO: ISIRI3132 AND INBC9 WITH MINIMUM TENSILE YIELD STRENGTH 400 N/mm²
- 6) CONCRETE COVER OVER BARS SHALL BE 75mm FOR FOUNDATION AND 50mm FOR BEAMS & COLUMNS.
- 7) UNDERGROUND CONCRETE SHALL BE PROTECTED AND COATED ACCORDING TO RELEVANT SPECIFICATION.
- 8) CEMENT TYPE 2 SHALL BE USED ACCORDING TO GEOTECHNICAL REPORT SUGGESTION.
- 9) FILL MATERIAL SHALL BE COMPACTED TO NOT LESS THAN 95% OF THE MAXIMUM DENSITY AS DETERMINED BY ASTM D-1557 (MODIFIED PROCTOR) METHOD.

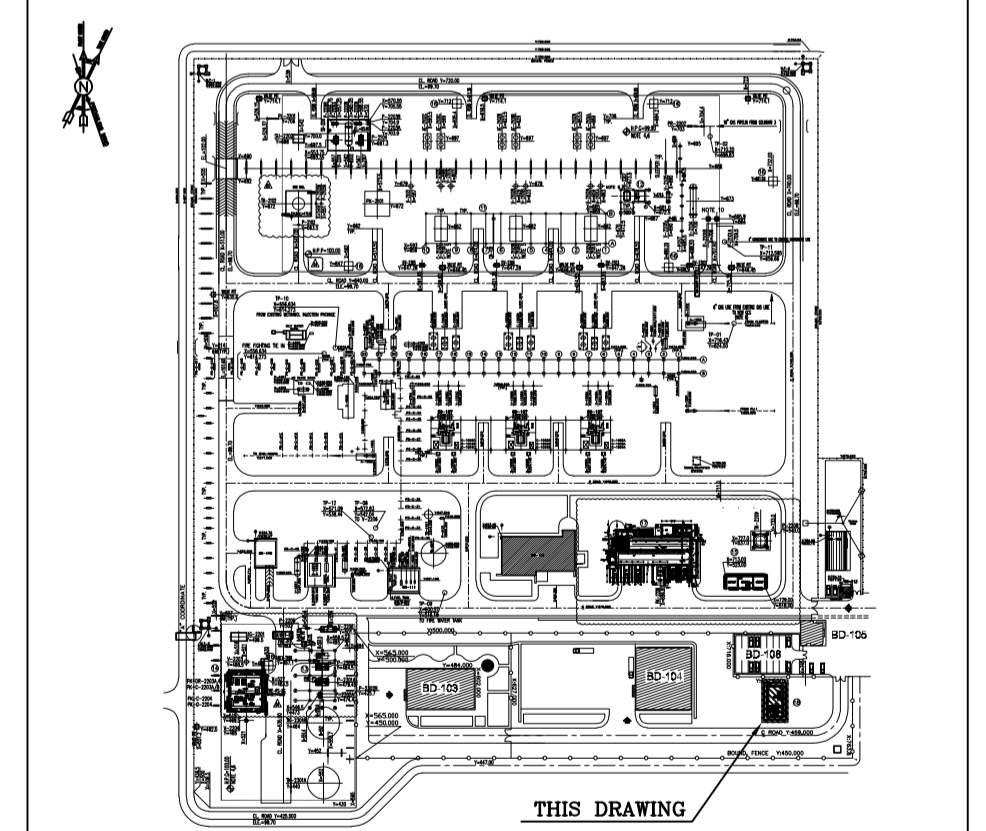
±0.00 = HOLD (F.G.L)MSL

LEGEND

	REINFORCED CONCRETE	F.G.L. : FINISH GROUND LEVEL
	LEAN CONCRETE	T.O.F. : TOP OF FOUNDATION
	GROUND	T.O.S. : TOP OF SLAB
		T.O.B. : TOP OF BEAM
		F.G.L. : FINISH GROUND LEVEL

REFERENCE DRAWING	DRG. No.
ARCHITECTURAL DRAWING FOR CCTV CONTROL ROOM BINAK GCS	BK-GCS-PEDCO-120-AR-DW-0008
FOUNDATION DRAWING FOR CCTV CONTROL ROOM - BINAK GCS	BK-GCS-PEDCO-120-AR-DW-0075
GENERAL NOTES-REINFORCED CONCRETE STRUCTURES	BK-GNRL-PEDCO-000-ST-DW-0012
STANDARD DRAWING FOR INSERT PLATES IN CONCRETE	BK-GNRL-PEDCO-000-ST-DW-0007
UNIT PLOT PLAN DRAWING	BK-GCS-PEDCO-120-PI-PY-0001

KEY PLAN



REV.	DATE	P.O.I.S	PREP.	CHK.	APP.	AUT.	DESCRIPTION	BY	DATE	BY	DATE
D02	FEB.2024	AFD	R.BERLOUIE	M.PAKHARIAN	S.FARAMARZPOUR	***					
D01	JAN.2024	IFA	R.BERLOUIE	M.PAKHARIAN	S.FARAMARZPOUR	**					
D00	SEP.2023	IFC	R.BERLOUIE	M.PAKHARIAN	S.FARAMARZPOUR	**					
REV.	DATE	P.O.I.S	PREP.	CHK.	APP.	AUT.	CHECKED				
PROJECT NAME: BINAK OILFIELD DEVELOPMENT/SURFACE FACILITIES GAS COMPRESSOR STATION							<p>اسم و کلیه نسخ این نقشه و حق اختیارات متعلق به شرکت ملی مناطق نفت خیز جنوب میباشد.</p> <p>THE ORIGINAL AND ALL COPIES OF THIS DRAWING TOGETHER WITH THE COPYRIGHT THEREIN ARE THE SOLE PROPERTY OF N.I.S.O.C./ FIELDS</p>				
PROJECT NO.: 971020							<p>BINAK OILFIELD DEVELOPMENT SURFACE FACILITIES GAS COMPRESSOR STATION</p>				
EPC CONTRACTOR: HIRGAN ENERGY COMPANIES			EPD/EPC CONTRACTOR (GC): PETROIRAN DEVELOPMENT COMPANY				<p>DATE SCALE DRAWING BY CHECKED BY PROJECT ENG.</p>				
DRAWING TITLE: STRUCTURAL DRAWING FOR CCTV CONTROL ROOM- BINAK GCS							<p>NO CONSTRUCTION PERMITTED UNLESS DRAWING APPROVED</p> <p>APPROVED FOR CONSTRUCTION BY: DATE:</p>				
SCALE	SIZE	DRAWING NO.		SHEET NO.	REV.	BUDGET REF.	LOCATION	SIZE	CLASS	SERIAL NO.	SHEET REVISION
AS SHOWN	A1	BK-GCS-PEDCO-120-ST-DW-0076		2 OF 2	D02	053-073-9184	F	4	M	709403	2 OF 2 D02