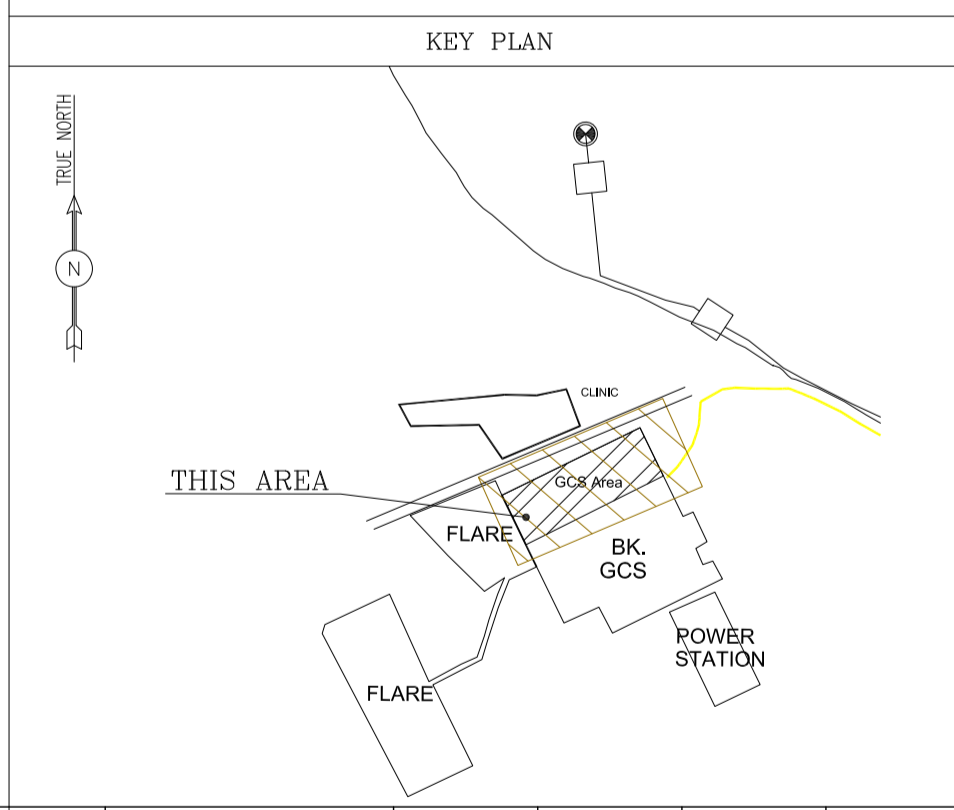


- NOTES**
- ALL COORDINATES AND ELEVATIONS ARE IN METERS.
  - ALL COORDINATES ARE IN LOCAL SYSTEM., WITH REFERENCE TO SITE LOCAL DATUM POINT.
- | LOCAL        | UTM           |
|--------------|---------------|
| X=500.000    | E=437384.709  |
| A Y=500.000  | N=3289737.469 |
| X=485.337    | E=437245.830  |
| B1 Y=788.941 | N=3289991.269 |
| I.L=12.170   | ELEV.=12.17   |
| X=798.452    | E=437704.660  |
| B2 Y=382.283 | N=3289761.280 |
| I.L=13.410   | ELEV.=13.41   |
- ALL ELEVATION REFERENCES IS MEAN SEA LEVEL.
  - ALL DIMENSIONS ARE IN MILLIMETERS UNLESS STATED OTHERWISE.

**LEGEND**

|  |                 |         |                                |
|--|-----------------|---------|--------------------------------|
|  | CONCRETE PAVING |         | PIT                            |
|  | GRAVEL PAVING   |         | SLOPE DIRECTION                |
|  | EXISTING ROAD   |         | NEW FENCE                      |
|  | NEW ROAD        |         | EXISTING FENCE                 |
|  | GRATING         |         | RAMP                           |
|  | CONCRETE SLAB   |         | SLOPE DIRECTION CHANGING LIMIT |
|  | REMOVABLE GATE  |         | CONCRETE PAVING LIMIT          |
|  | EXISTING DITCH  | T.O.B   | TOP OF BRIDGE                  |
|  | NEW DITCH       | H.P.P   | HIGH POINT OF PAVING           |
|  |                 | L.P.P   | LOW POINT OF PAVING            |
|  |                 | H.P.G   | HIGH POINT OF GRAVEL           |
|  |                 | L.P.G   | LOW POINT OF GRAVEL            |
|  |                 | B.O.P.T | BOTTOM OF PIT                  |

| REFERENCE DRAWING                                       | DRG. No.                     |
|---|------------------------------|
| SPECIFICATION FOR SEWERAGE & DRAINAGE                   | BK-GNRL-PEDCO-000-CV-SP-0005 |
| STANDARD DRAWING FOR SEWERAGE & DRAINAGE DETAILS        | BK-GNRL-PEDCO-000-CV-DW-0007 |
| UNIT PLOT PLAN DRAWING                                  | BK-GCS-PEDCO-120-PI-PY-0001  |
| ROAD, PAVING AND PLANT FINISH GRADING LAYOUT & SECTIONS | BK-GCS-PEDCO-120-CV-PY-0005  |
| BINAK NEW COMPRESSOR GAS STATION (BASIC PACKAGE)        | 1560-BK-NCS-PI-DWG-0001      |



GCS  
SC.1:250

|      |          |         |              |             |                |       |
|------|----------|---------|--------------|-------------|----------------|-------|
| DO4  | OCT.2024 | IPA     | R.BERLOUIE   | M.PAKHARIAN | S.FARAMARZPOUR | ** ** |
| DO3  | OCT.2023 | IPA     | R.BERLOUIE   | M.PAKHARIAN | S.FARAMARZPOUR | ** ** |
| DO2  | DEC.2022 | IPA     | M.ASHARNEJAD | M.PAKHARIAN | SH.GHALIKAR    | ** ** |
| DO1  | OCT.2022 | IPA     | M.ASHARNEJAD | M.PAKHARIAN | SH.GHALIKAR    | ** ** |
| DO0  | MAY.2022 | IPC     | M.ASHARNEJAD | M.PAKHARIAN | SH.GHALIKAR    | ** ** |
| REV. | DATE     | P.O.I.S | PREP.        | CHK.        | APP.           | AUT.  |

اصل و کلیه نسخ این نقشه و حق اقتباس متعلق به شرکت ملی مناطق نفت خیز جنوب میباشد.  
THE ORIGINAL AND ALL COPIES OF THIS DRAWING TOGETHER WITH THE COPYRIGHT THEREIN ARE THE SOLE PROPERTY OF N.I.S.O.C./ FIELDS

**PROJECT NAME:** BINAK OILFIELD DEVELOPMENT GENERAL

**PROJECT NO.:** 971020

**EPC CONTRACTOR:** HIRGAN ENERGY - DESIGN & INSPECTION COMPANIES

**EPD/EPC CONTRACTOR (GC):** PETROIRAN DEVELOPMENT COMPANY

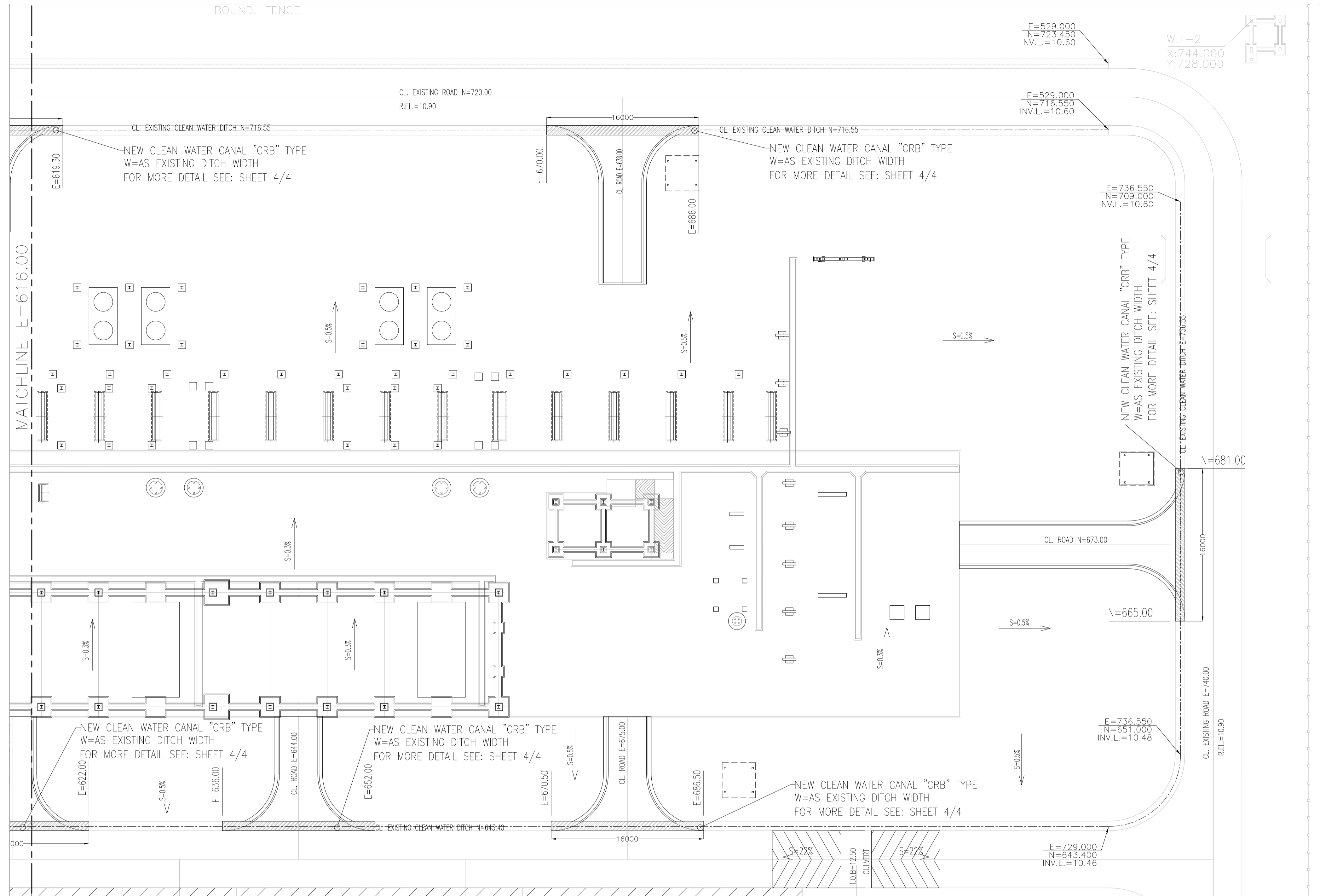
**DRAWING TITLE:** PLANT CLEAN WATER DRAINAGE SYSTEM LAYOUT & DETAILS

| DATE | SCALE | DRAWING BY | CHECKED BY | PROJECT ENG. |
|------|-------|------------|------------|--------------|
|      |       |            |            |              |

NO CONSTRUCTION PERMITTED UNLESS DRAWING APPROVED

| APPROVED FOR CONSTRUCTION | BY: | DATE: |
|---------------------------|-----|-------|
|                           |     |       |

| SCALE | SIZE | DRAWING NO.                 | SHEET NO. | REV. | BUDGET REF.  | LOCATION | SIZE | CLASS | SERIAL NO. | SHEET | REVISION |
|-------|------|-----------------------------|-----------|------|--------------|----------|------|-------|------------|-------|----------|
| 1/250 | A1   | BK-GCS-PEDCO-120-CV-PY-0004 | 01 OF 04  | D04  | 053-073-9184 | F        | 4    | S     | 709111     | 1     | D04      |

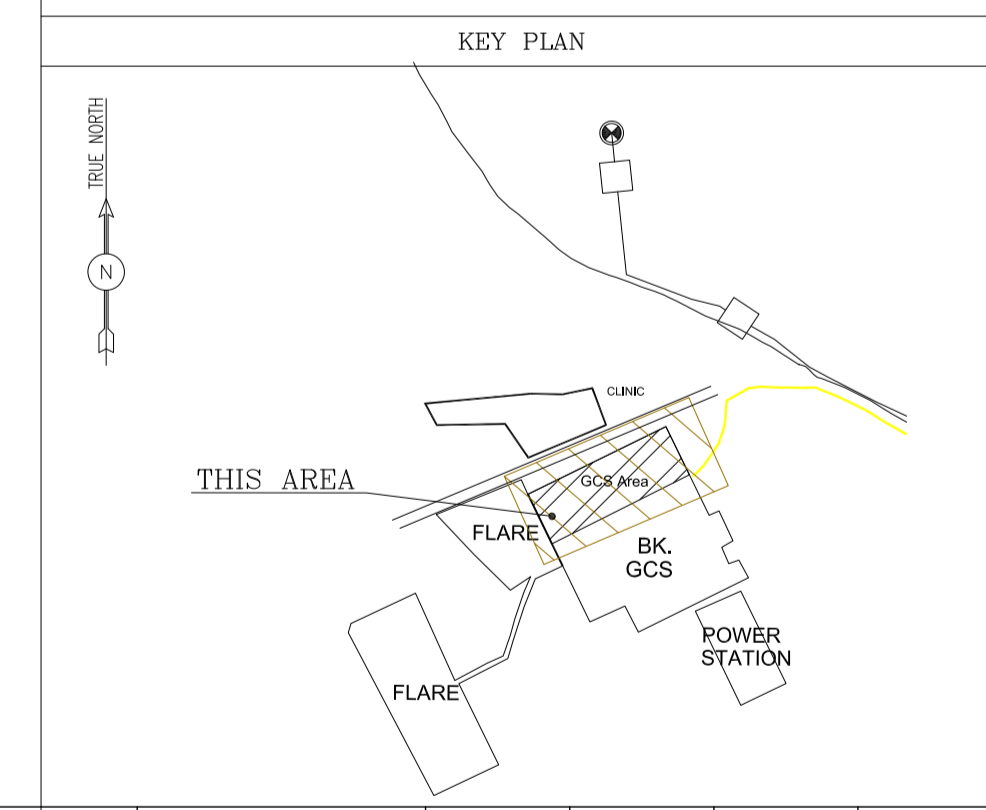


- NOTES**
- ALL COORDINATES AND ELEVATIONS ARE IN METERS.
  - ALL COORDINATES ARE IN LOCAL SYSTEM, WITH REFERENCE TO SITE LOCAL DATUM POINT.
- | LOCAL        |            | UTM          |               |
|--------------|------------|--------------|---------------|
| X=500.000    | Y=500.000  | E=437384.709 | N=3289737.469 |
| X=485.337    | I.L=12.170 | E=437245.830 | N=3289991.269 |
| X=798.452    | I.L=13.410 | E=437704.660 | N=3289761.280 |
| B2 Y=382.283 |            | ELEV.=12.17  | ELEV.=13.41   |
- ALL ELEVATION REFERENCES IS MEAN SEA LEVEL.
  - ALL DIMENSIONS ARE IN MILLIMETERS UNLESS STATED OTHERWISE.

**LEGEND**

|          |                 |          |                                |
|----------|-----------------|----------|--------------------------------|
| [Symbol] | CONCRETE PAVING | [Symbol] | PIT                            |
| [Symbol] | GRAVEL PAVING   | [Symbol] | SLOPE DIRECTION                |
| [Symbol] | EXISTING ROAD   | [Symbol] | NEW FENCE                      |
| [Symbol] | NEW ROAD        | [Symbol] | EXISTING FENCE                 |
| [Symbol] | GRATING         | [Symbol] | RAMP                           |
| [Symbol] | CONCRETE SLAB   | [Symbol] | SLOPE DIRECTION CHANGING LIMIT |
| [Symbol] | REMOVABLE GATE  | [Symbol] | CONCRETE PAVING LIMIT          |
| [Symbol] | EXISTING DITCH  | T.O.B    | TOP OF BRIDGE                  |
| [Symbol] | NEW DITCH       | H.P.P    | HIGH POINT OF PAVING           |
|          |                 | L.P.P    | LOW POINT OF PAVING            |
|          |                 | H.P.G    | HIGH POINT OF GRAVEL           |
|          |                 | L.P.G    | LOW POINT OF GRAVEL            |
|          |                 | B.O.P.T  | BOTTOM OF PIT                  |

| REFERENCE DRAWING  | DRG. No.                     |
|--|------------------------------|
| SPECIFICATION FOR SEWERAGE & DRAINAGE                      | BK-GNRL-PEDCO-000-CV-SP-0005 |
| STANDARD DRAWING FOR SEWERAGE & DRAINAGE DETAILS           | BK-GNRL-PEDCO-000-CV-DW-0007 |
| UNIT PLOT PLAN DRAWING                                     | BK-GCS-PEDCO-120-PI-PY-0001  |
| ROAD, PAVING AND PLANT FINISH GRADING LAYOUT & SECTIONS    | BK-GCS-PEDCO-120-CV-PY-0005  |
| BINAK NEW COMPRESSOR GAS STATION PLOT PLAN (BASIC PACKAGE) | 1560-BK-NCS-PI-DWG-0001      |



GCS  
SC.1:250

| REV. | DATE     | P.O.I.S | PREP.        | CHK.        | APP.           | AUT. |
|------|----------|---------|--------------|-------------|----------------|------|
| D04  | OCT.2024 | IPA     | R.BERLOUIE   | M.PAKHARIAN | S.FARAMARZPOUR | **   |
| D03  | OCT.2023 | IPA     | R.BERLOUIE   | M.PAKHARIAN | S.FARAMARZPOUR | **   |
| D02  | DEC.2022 | IPA     | M.ASHARNEJAD | M.PAKHARIAN | SH.GHALIKAR    | **   |
| D01  | OCT.2022 | IPA     | M.ASHARNEJAD | M.PAKHARIAN | SH.GHALIKAR    | **   |
| D00  | MAY.2022 | IPC     | M.ASHARNEJAD | M.PAKHARIAN | SH.GHALIKAR    | **   |

PROJECT NAME: BINAK OILFIELD DEVELOPMENT GENERAL  
PROJECT NO.: 971020

EPC CONTRACTOR: **HIRGAN ENERGY** COMPANIES  
EPD/EPC CONTRACTOR (GC): **PETROIRAN DEVELOPMENT COMPANY** PEDCO

DRAWING TITLE: PLANT CLEAN WATER DRAINAGE SYSTEM LAYOUT & DETAILS

NO CONSTRUCTION PERMITTED UNLESS DRAWING APPROVED

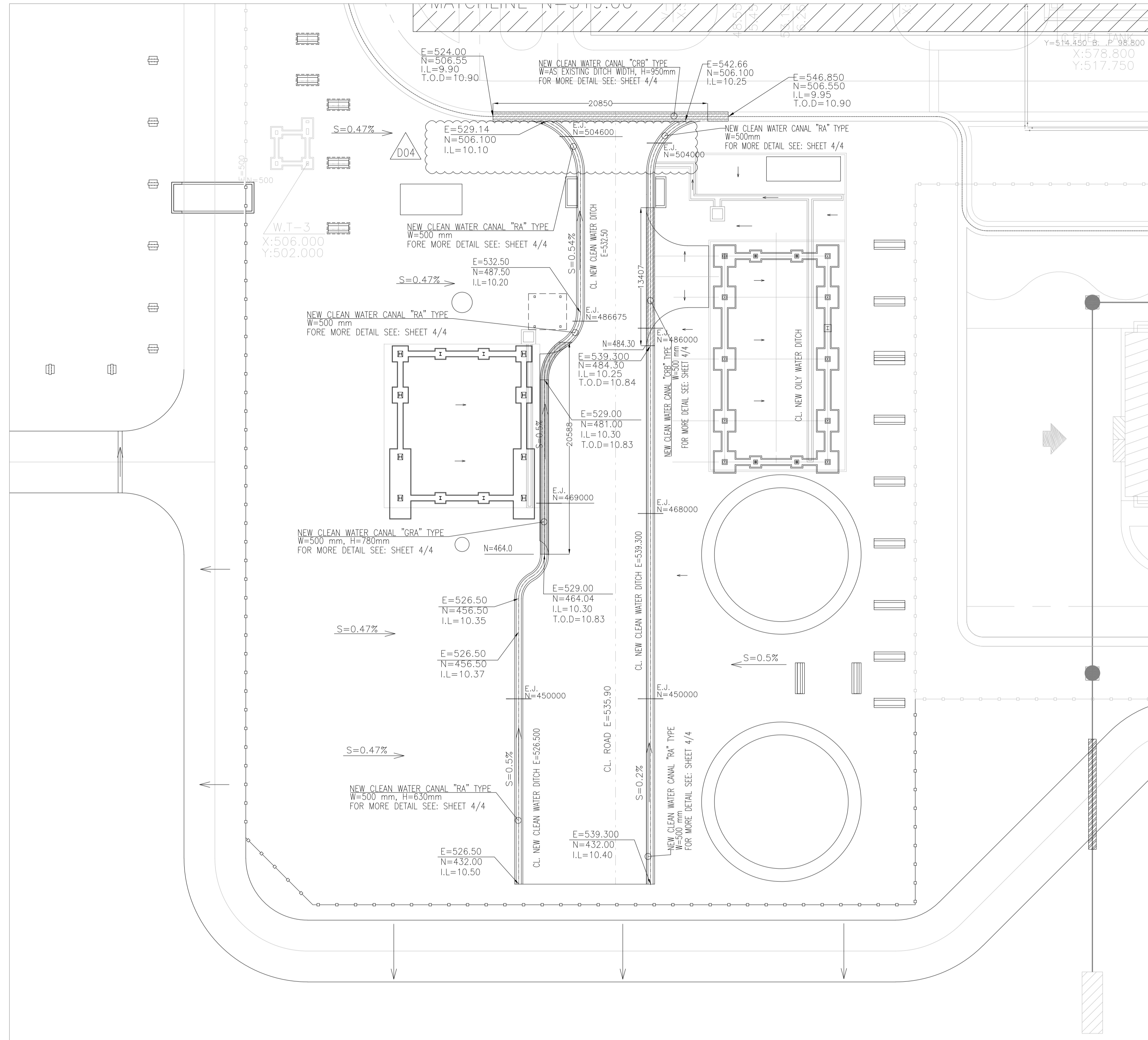
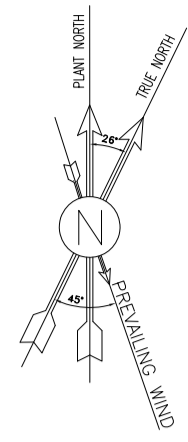
| SCALE | SIZE | DRAWING NO.                 | SHEET NO. | REV. | BUDGET REF.  | LOCATION | SIZE | CLASS | SERIAL NO. | SHEET | REVISION |
|-------|------|-----------------------------|-----------|------|--------------|----------|------|-------|------------|-------|----------|
| 1/250 | A1   | BK-GCS-PEDCO-120-CV-PY-0004 | 02 OF 04  | D04  | 053-073-9184 | F        | 4    | S     | 709111     | 2     | D04      |

امحل و کلیه نسخ این نقشه و حق اقتباس متعلق به شرکت ملی مناطق نفت خیز جنوب میباشد.

THE ORIGINAL AND ALL COPIES OF THIS DRAWING TOGETHER WITH THE COPYRIGHT THEREIN ARE THE SOLE PROPERTY OF N.I.S.O.C./ FIELDS

**BINAK OILFIELD DEVELOPMENT GENERAL**

| DATE | SCALE | DRAWING BY | CHECKED BY | PROJECT ENG. |
|------|-------|------------|------------|--------------|
|      |       |            |            |              |

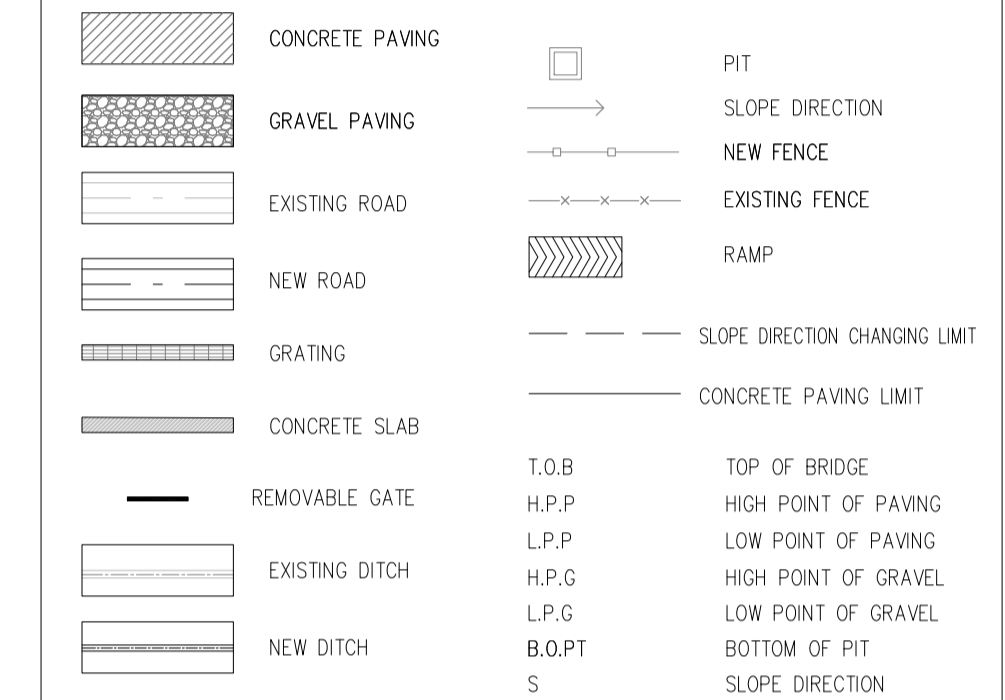


UTILITY AREA  
SC.1:250

NOTES

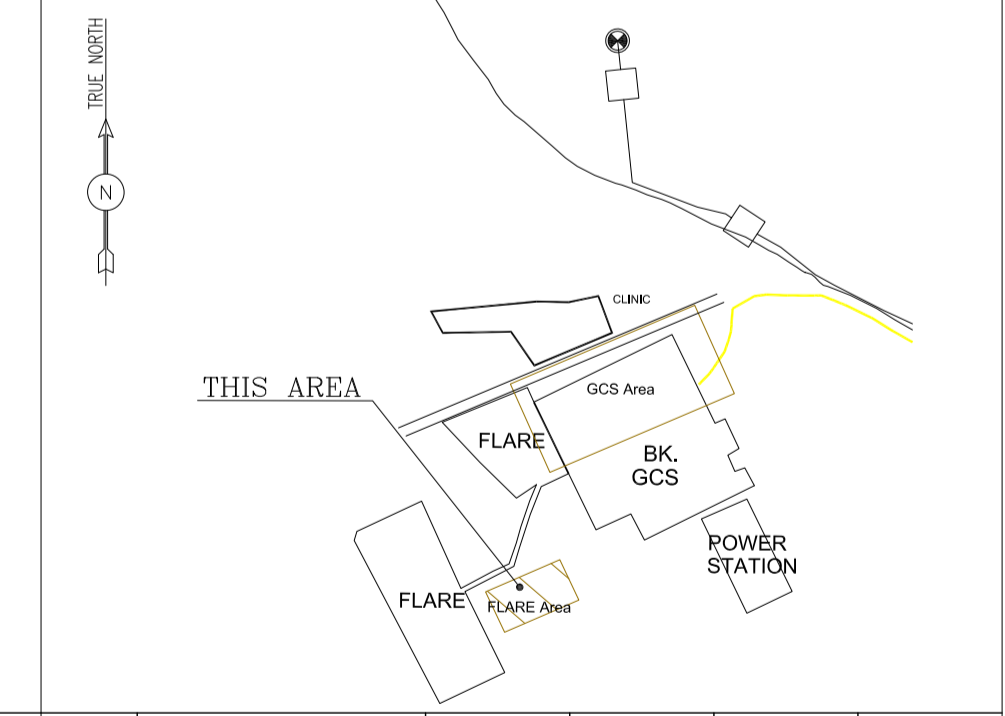
- ALL COORDINATES AND ELEVATIONS ARE IN METERS.
  - ALL COORDINATES ARE IN LOCAL SYSTEM., WITH REFERENCE TO SITE LOCAL DATUM POINT.
- | LOCAL        | UTM           |
|--------------|---------------|
| X=500.000    | E=437384.709  |
| A Y=500.000  | N=3289737.469 |
| X=485.337    | E=437245.830  |
| B1 Y=788.941 | N=3289991.269 |
| I.L.=12.170  | ELEV.=12.17   |
| X=798.452    | E=437704.660  |
| B2 Y=382.283 | N=3289761.280 |
| I.L.=13.410  | ELEV.=13.41   |
- ALL ELEVATION REFERENCES IS MEAN SEA LEVEL.
  - ALL DIMENSIONS ARE IN MILLIMETERS UNLESS STATED OTHERWISE.

LEGEND



| REFERENCE DRAWING  | DRG. No.                     |
|--|------------------------------|
| SPECIFICATION FOR SEWERAGE & DRAINAGE                      | BK-GNRL-PEDCO-000-CV-SP-0005 |
| STANDARD DRAWING FOR SEWERAGE & DRAINAGE DETAILS           | BK-GNRL-PEDCO-000-CV-DW-0007 |
| UNIT PLOT PLAN DRAWING                                     | BK-GCS-PEDCO-120-PI-PY-0001  |
| ROAD, PAVING AND PLANT FINISH GRADING LAYOUT & SECTIONS    | BK-GCS-PEDCO-120-CV-PY-0005  |
| BINAK NEW COMPRESSOR GAS STATION PLOT PLAN (BASIC PACKAGE) | 1560-BK-NCS-PI-DWG-0001      |

KEY PLAN



| REV. | DATE     | P.O.I.S | PREP.        | CHK.        | APP.           | AUT. | DESCRIPTION | BY | DATE | BY | DATE |
|------|----------|---------|--------------|-------------|----------------|------|-------------|----|------|----|------|
| D04  | OCT.2024 | IPA     | R.BERLOUIE   | M.PAKHARIAN | S.FARAMARZPOUR | **   |             |    |      |    |      |
| D03  | OCT.2023 | IPA     | R.BERLOUIE   | M.PAKHARIAN | S.FARAMARZPOUR | **   |             |    |      |    |      |
| D02  | DEC.2022 | IPA     | M.ASHARNEJAD | M.PAKHARIAN | SH.GHALIKAR    | **   |             |    |      |    |      |
| D01  | OCT.2022 | IPA     | M.ASHARNEJAD | M.PAKHARIAN | SH.GHALIKAR    | **   |             |    |      |    |      |
| D00  | MAY.2022 | IPC     | M.ASHARNEJAD | M.PAKHARIAN | SH.GHALIKAR    | **   |             |    |      |    |      |

PROJECT NAME: BINAK OILFIELD DEVELOPMENT GENERAL

PROJECT NO.: 971020

EPC CONTRACTOR: HIRGAN ENERGY - DESIGN & INSPECTION COMPANIES

EPD/EPC CONTRACTOR (GC): PETROIRAN DEVELOPMENT COMPANY

DRAWING TITLE: PLANT CLEAN WATER DRAINAGE SYSTEM LAYOUT & DETAILS

NO CONSTRUCTION PERMITTED UNLESS DRAWING APPROVED

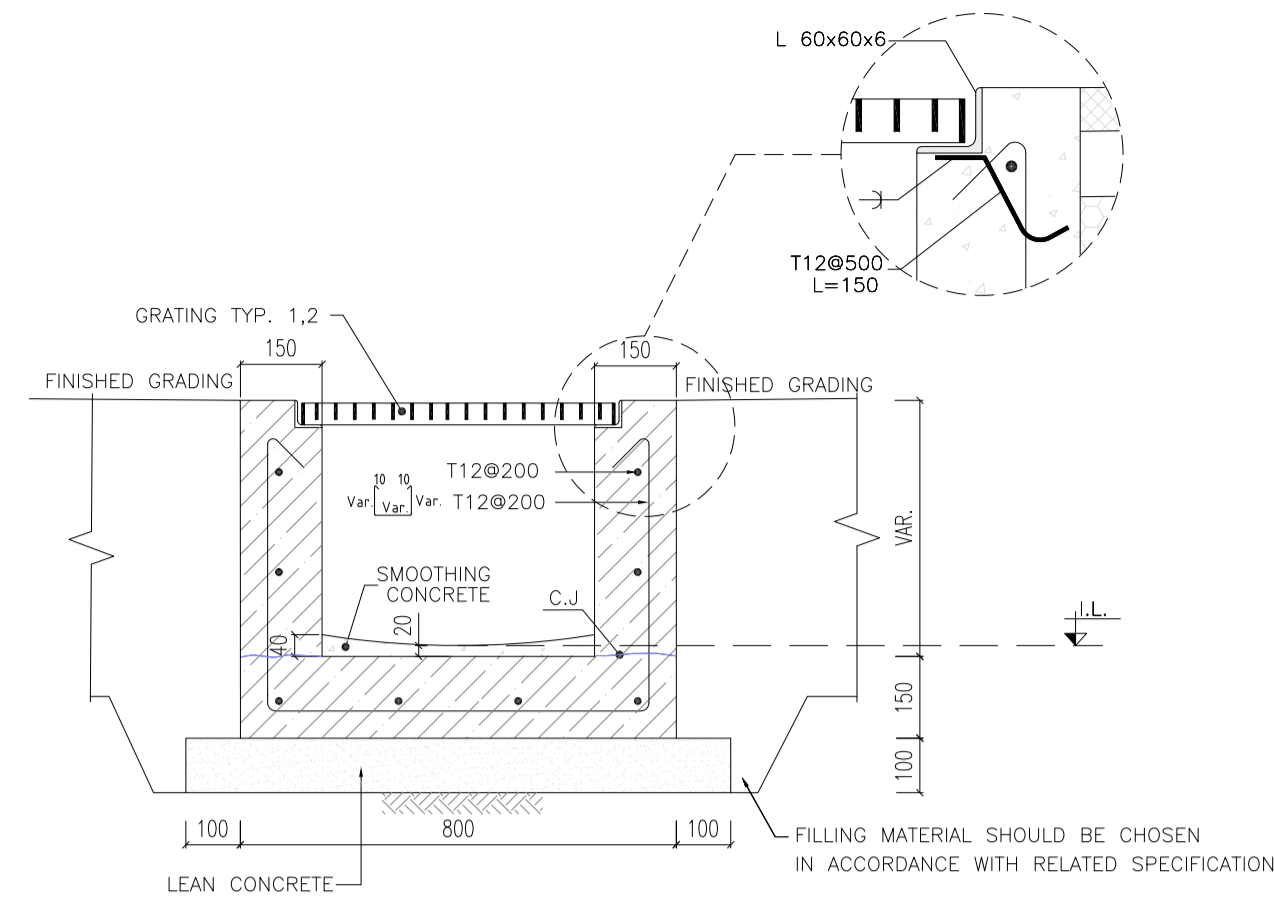
| DATE | SCALE | DRAWING BY | CHECKED BY | PROJECT ENG. |
|------|-------|------------|------------|--------------|
|      |       |            |            |              |

| APPROVED FOR CONSTRUCTION | BY: | DATE: |
|---------------------------|-----|-------|
|                           |     |       |

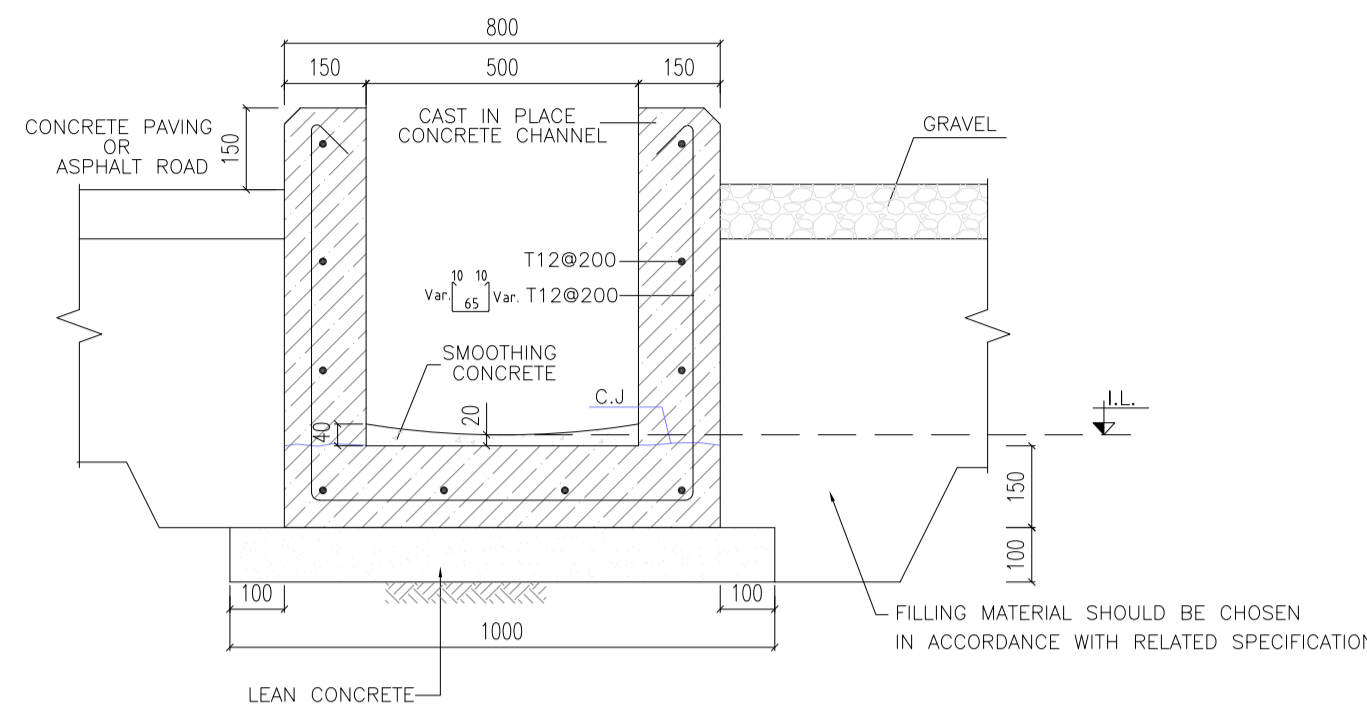
| SCALE | SIZE | DRAWING NO.                 | SHEET NO. | REV. | BUDGET REF.  | LOCATION | SIZE | CLASS | SERIAL NO. | SHEET | REVISION |
|-------|------|-----------------------------|-----------|------|--------------|----------|------|-------|------------|-------|----------|
| 1/250 | A1   | BK-GCS-PEDCO-120-CV-PY-0004 | 03 OF 04  | D04  | 053-073-9184 | F        | 4    | S     | 709111     | 3     | D04      |

امثل و کلیه نسخ این نقشه و حق اقتباس متعلق به شرکت ملی مناطق نفت خیز جنوب میباشد.  
THE ORIGINAL AND ALL COPIES OF THIS DRAWING TOGETHER WITH THE COPYRIGHT THEREIN ARE THE SOLE PROPERTY OF N.I.S.O.C./ FIELDS

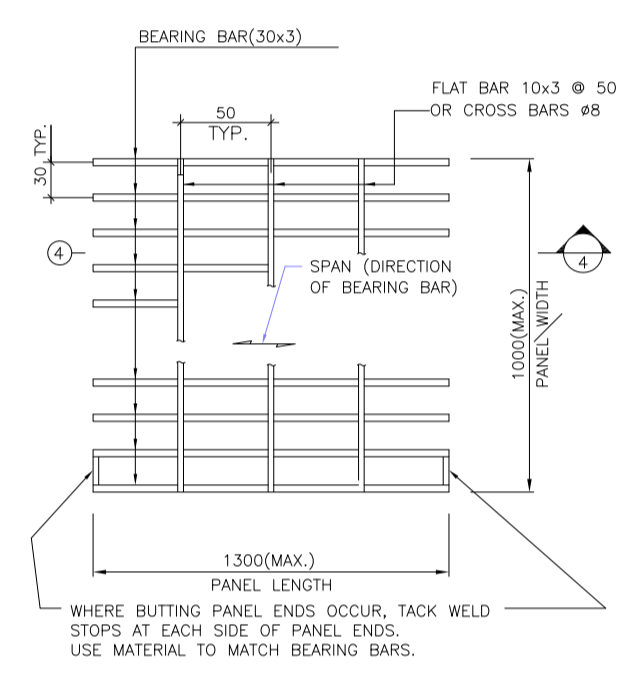
D04



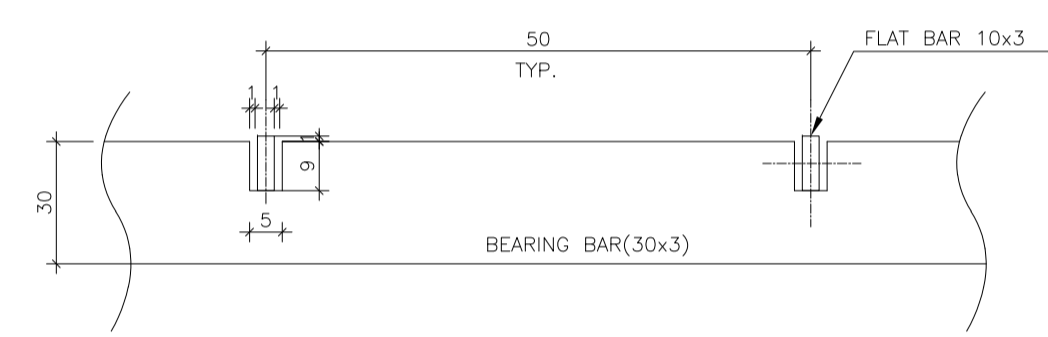
1 CHANNEL TYPE "GRA"  
N.T.S.



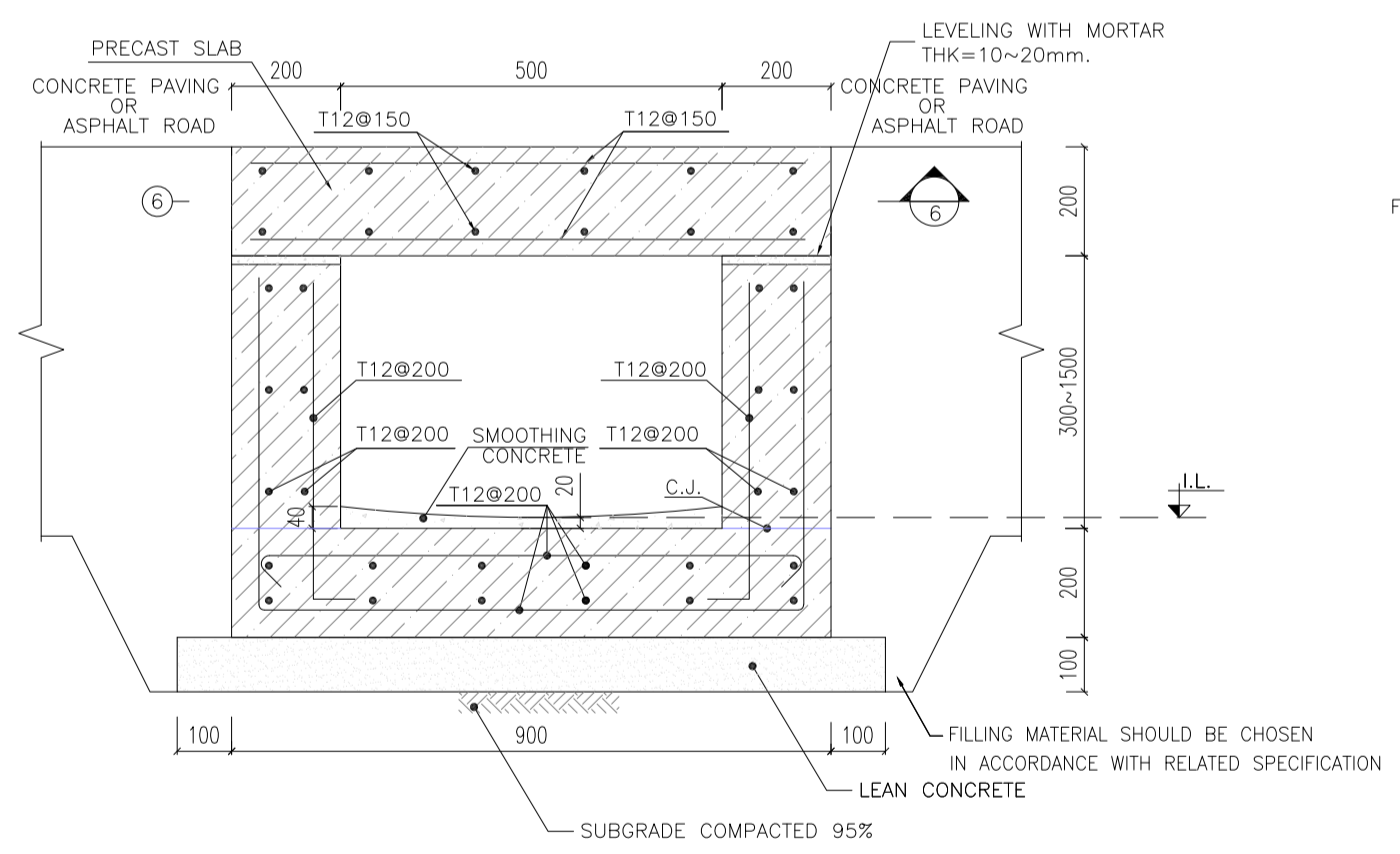
2 CHANNEL TYPE "RA"  
N.T.S.  
IN EACH 6m CHANNEL LENGTH  
USE DETAIL "13" SHEET 1/2 in:  
"BK-GNRL-PEDCO-000-CV-DW-0007"



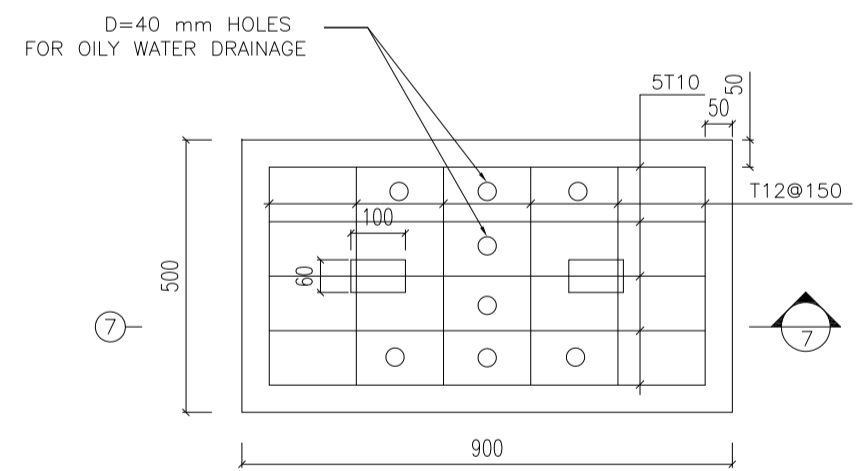
3 GRATING PANEL  
N.T.S.



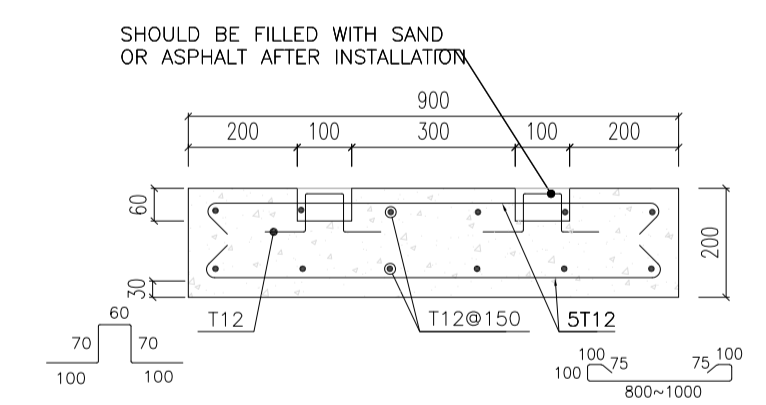
4  
N.T.S.



5 CHANNEL TYPE "CRB"  
N.T.S.



6 PRECAST SLAB  
N.T.S.



7  
N.T.S.

NOTES

- ALL COORDINATES AND ELEVATIONS ARE IN METERS.
- ALL COORDINATES ARE IN LOCAL SYSTEM., WITH REFERENCE TO SITE LOCAL DATUM POINT.
 

| LOCAL        | UTM           |
|--------------|---------------|
| X=500.000    | E=437384.709  |
| A Y=500.000  | N=3289737.469 |
| X=485.337    | E=437245.830  |
| B1 Y=788.941 | N=3289991.269 |
| I.L=12.170   | ELEV.=12.17   |
| X=798.452    | E=437704.660  |
| B2 Y=382.283 | N=3289761.280 |
| I.L=13.410   | ELEV.=13.41   |
- ALL ELEVATION REFERENCES IS MEAN SEA LEVEL.
- ALL DIMENSIONS ARE IN MILLIMETERS UNLESS STATED OTHERWISE.

LEGEND

|         |                      |
|---------|----------------------|
| T.O.B   | TOP OF BRIDGE        |
| H.P.P   | HIGH POINT OF PAVING |
| L.P.P   | LOW POINT OF PAVING  |
| H.P.G   | HIGH POINT OF GRAVEL |
| L.P.G   | LOW POINT OF GRAVEL  |
| B.O.P.T | BOTTOM OF PIT        |

| REFERENCE DRAWING  | DRG. No.                     |
|--|------------------------------|
| SPECIFICATION FOR SEWERAGE & DRAINAGE                      | BK-GNRL-PEDCO-000-CV-SP-0005 |
| STANDARD DRAWING FOR SEWERAGE & DRAINAGE DETAILS           | BK-GNRL-PEDCO-000-CV-DW-0007 |
| UNIT PLOT PLAN DRAWING                                     | BK-GCS-PEDCO-120-PI-PY-0001  |
| ROAD, PAVING AND PLANT FINISH GRADING LAYOUT & SECTIONS    | BK-GCS-PEDCO-120-CV-PY-0005  |
| BINAK NEW COMPRESSOR GAS STATION PLOT PLAN (BASIC PACKAGE) | 1560-BK-NCS-PI-DWG-0001      |

KEY PLAN

| REV.   | DATE     | P.O.I.S                     | PREP.                             | CHK.        | APP.           | AUT. | DESCRIPTION                                       | BY | DATE  | BY | DATE   |   |     |
|--|----------|-----------------------------|-----------------------------------|-------------|----------------|------|---|----|-------|----|--------|---|-----|
| D04  | OCT.2024 | IPA                         | R.BERLOUIE                        | M.PAKHARIAN | S.FARAMARZPOUR | **   |   |    |       |    |        |   |     |
| D03  | OCT.2023 | IPA                         | R.BERLOUIE                        | M.PAKHARIAN | S.FARAMARZPOUR | **   |   |    |       |    |        |   |     |
| D02  | DEC.2022 | IPA                         | M.ASHARNEJAD                      | M.PAKHARIAN | SH.GHALIKAR    | **   |   |    |       |    |        |   |     |
| D01  | OCT.2022 | IPA                         | M.ASHARNEJAD                      | M.PAKHARIAN | SH.GHALIKAR    | **   |   |    |       |    |        |   |     |
| D00  | MAY.2022 | IPC                         | M.ASHARNEJAD                      | M.PAKHARIAN | SH.GHALIKAR    | **   |   |    |       |    |        |   |     |
| REV.   | DATE     | P.O.I.S                     | PREP.                             | CHK.        | APP.           | AUT. | DESCRIPTION                                       | BY | DATE  | BY | DATE   |   |     |
| PROJECT NAME:                                      |          |                             |                                   |             |                |      | BINAK OILFIELD DEVELOPMENT GENERAL                |    |       |    |        |   |     |
| PROJECT NO.:                                       |          |                             |                                   |             |                |      | 971020  |    |       |    |        |   |     |
| EPC CONTRACTOR:                                    |          |                             | EPD/EPC CONTRACTOR (GC):          |             |                |      |   |    |       |    |        |   |     |
| <br>HIRGAN ENERGY - DESIGN & INSPECTION COMPANIES  |          |                             | <br>PETROIRAN DEVELOPMENT COMPANY |             |                |      |   |    |       |    |        |   |     |
| DRAWING TITLE:                                     |          |                             |                                   |             |                |      | NO CONSTRUCTION PERMITTED UNLESS DRAWING APPROVED |    |       |    |        |   |     |
| PLANT CLEAN WATER DRAINAGE SYSTEM LAYOUT & DETAILS |          |                             |                                   |             |                |      | APPROVED FOR CONSTRUCTION                         |    |       |    |        |   |     |
| SCALE  | SIZE     | DRAWING NO.                 |                                   |             | SHEET NO.      | REV. | BY:   |    | DATE: |    |        |   |     |
| N.T.S  | A1       | BK-GCS-PEDCO-120-CV-PY-0004 |                                   |             | 04 OF 04       | D04  | 053-073-9184                                      | F  | 4     | S  | 709111 | 4 | D04 |

اصل و کلیه نسخ این نقشه و حق اقتباس متعلق به شرکت ملی مناطق نفت خیز جنوب میباشد.  
THE ORIGINAL AND ALL COPIES OF THIS DRAWING TOGETHER WITH THE COPYRIGHT THEREIN ARE THE SOLE PROPERTY OF N.I.S.O.C./ FIELDS