

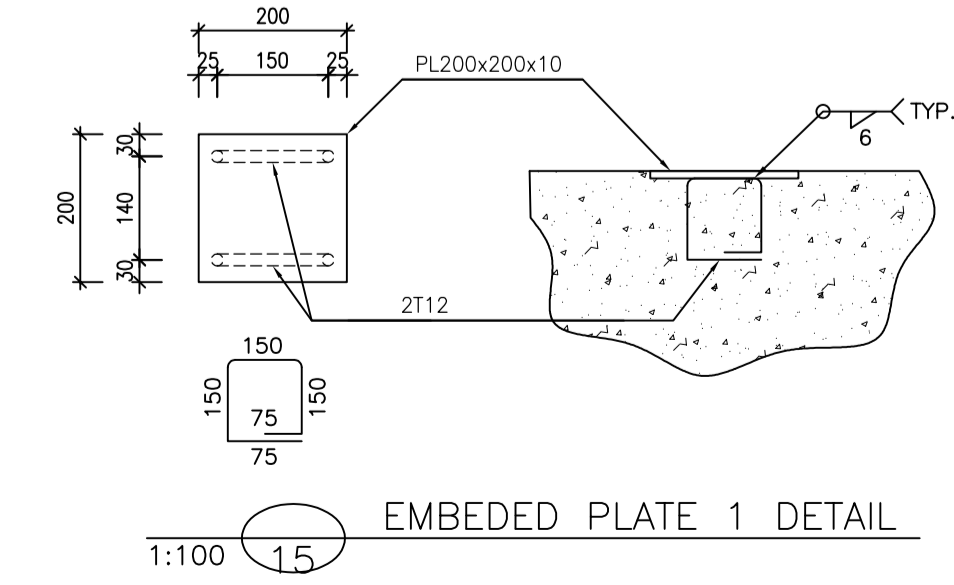
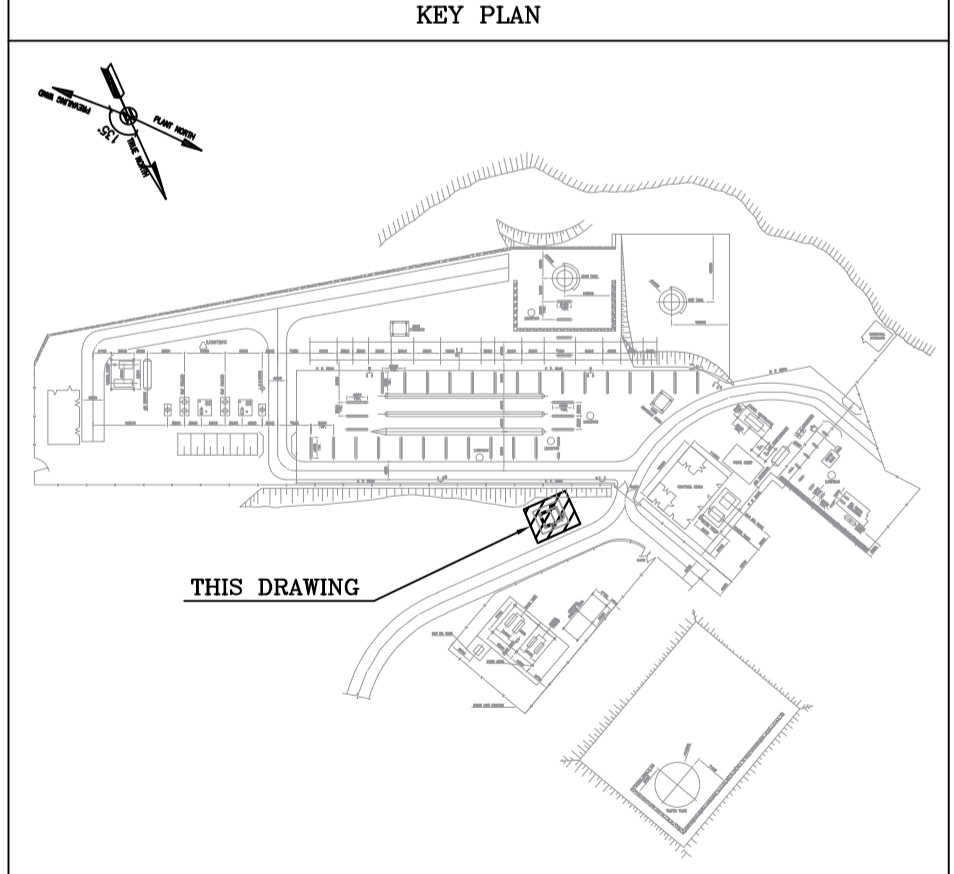
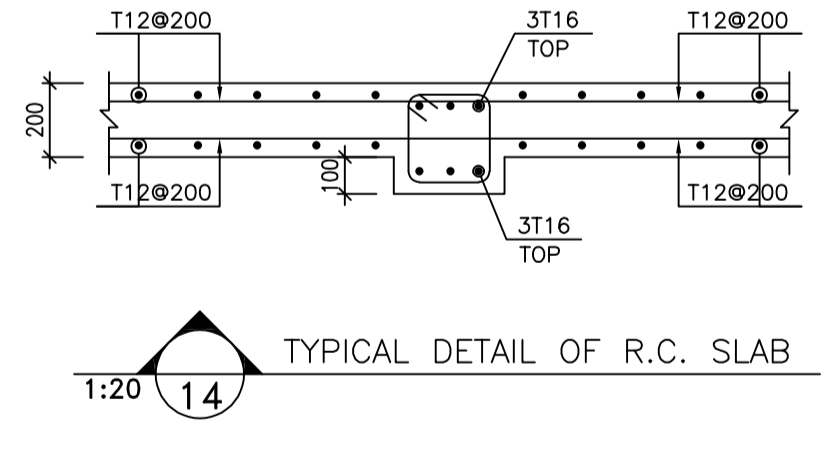
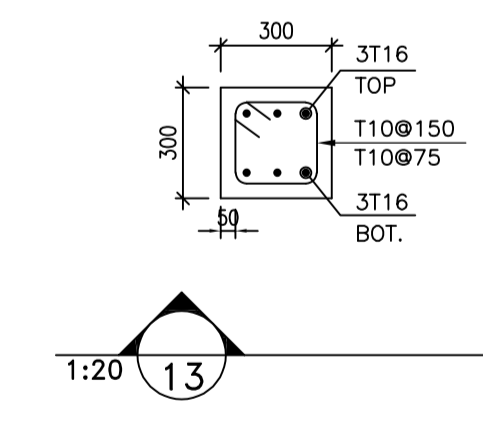
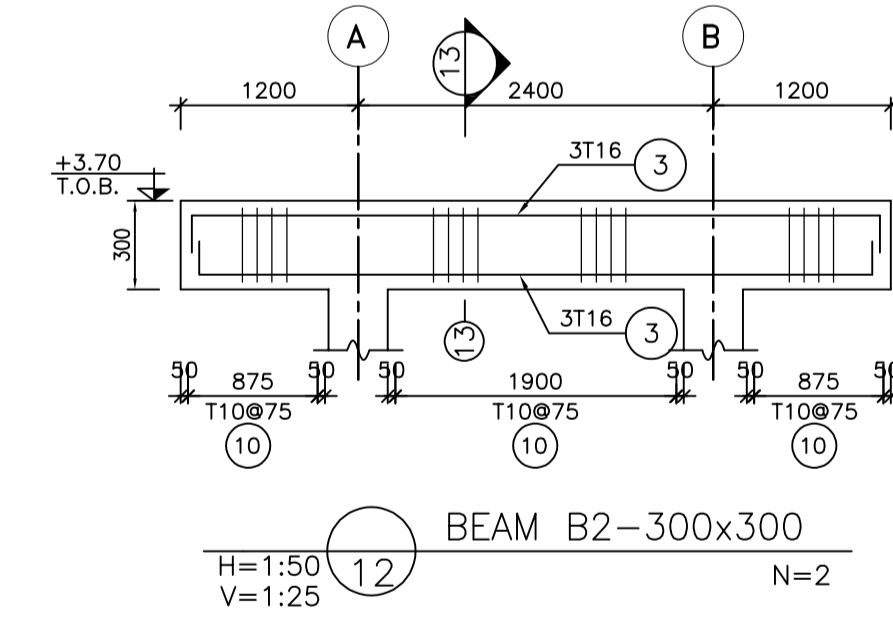
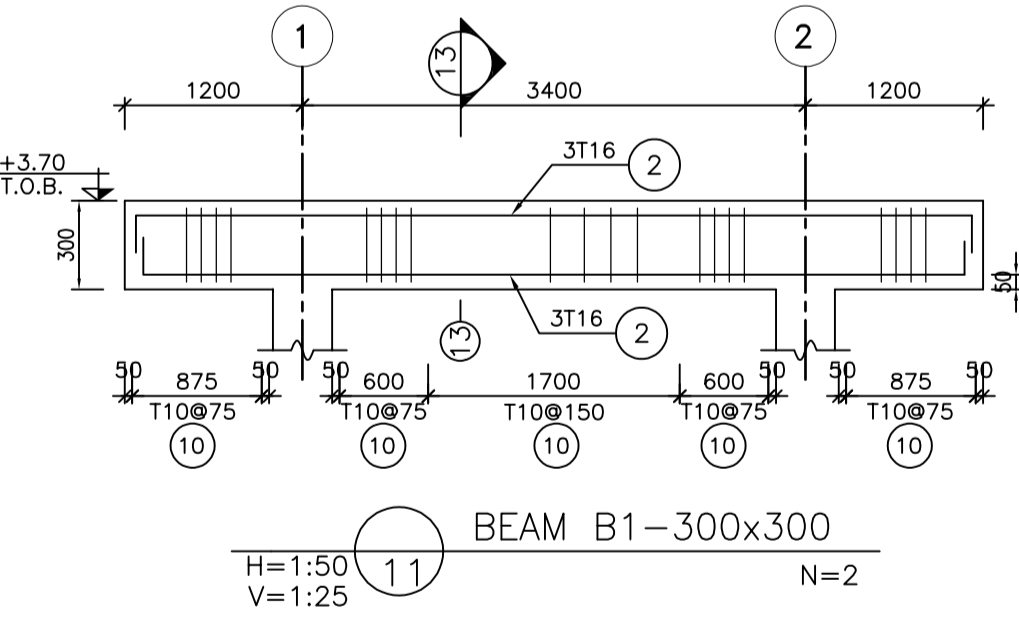
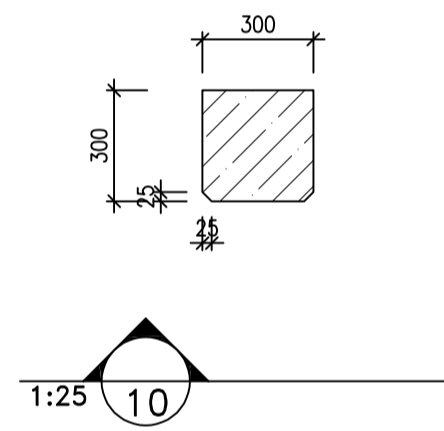
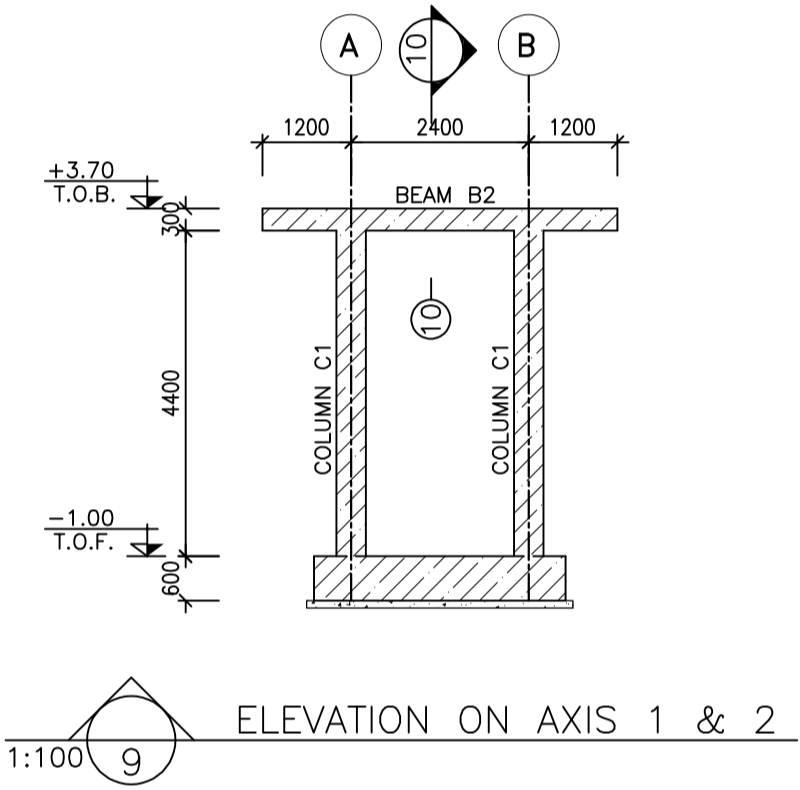
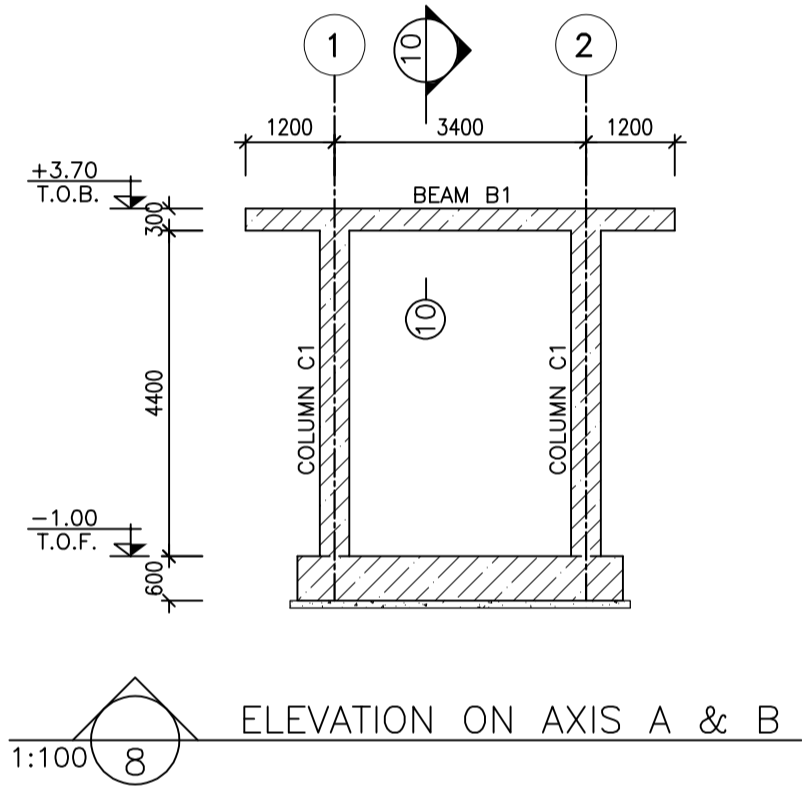
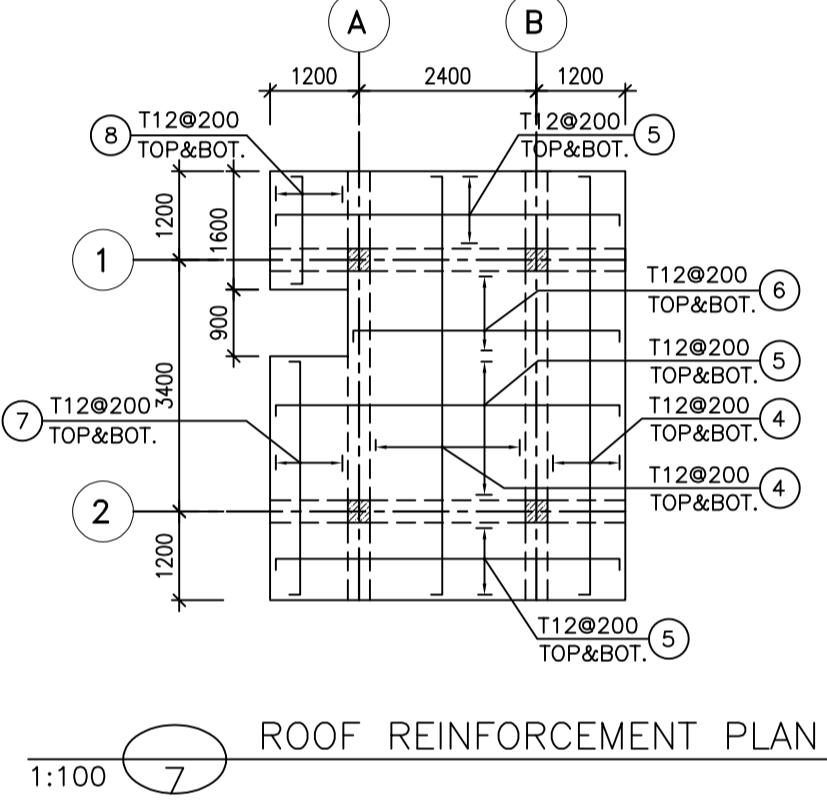
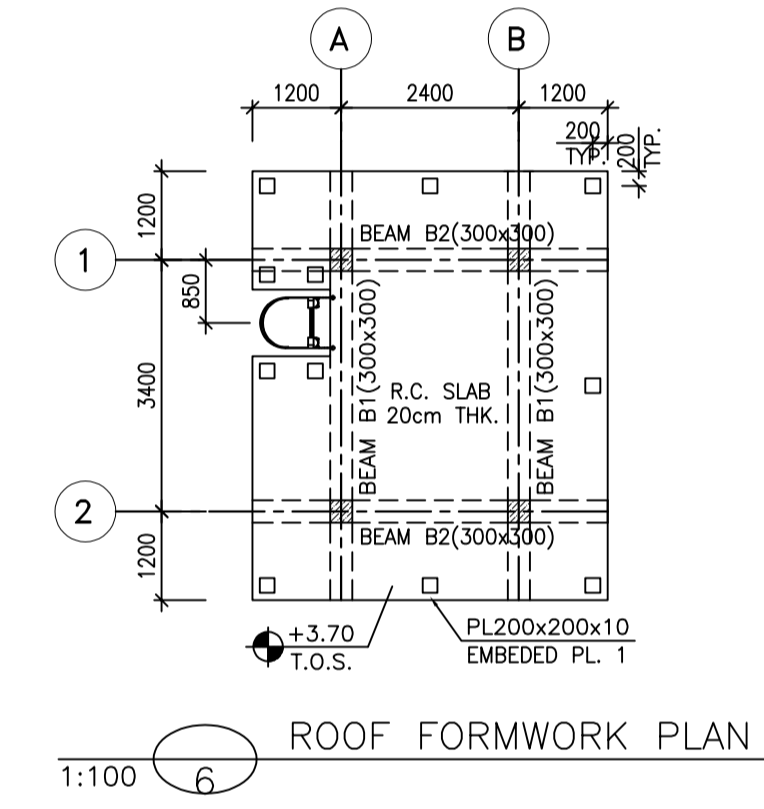
BAR BENDING SCHEDULE--FOUNDATION								
Pos	Spec.	Shape	L	No.	T10	T12	T16	
1	T16	250 2750	3.00	32			96.0	
2	T16	200 5700 200	6.10	12			73.2	
3	T16	200 4700 200	5.10	12			61.2	
4	T12	150 5700 150	6.00	32		192.0		
5	T12	150 4700 150	5.00	42		210.0		
6	T12	150 3650 150	3.95	14		55.6		
7	T12	150 3200 150	3.50	10		35.0		
8	T12	150 1500 150	1.80	10		18.0		
9	T12	200 200 100	1.00	164		164.0		
10	T10	200 200 100	1.00	206	206.0			
TOTAL LENGTH (m)					206.0	674.6	230.4	
UNIT WEIGHT (Kg/m)					0.617	0.888	1.578	
WEIGHT (Kg)					127.11	599.05	363.58	
TOTAL WEIGHT (Kg)					1090 Kg.			

- NOTES**
- ALL ELEVATIONS AND COORDINATES ARE IN "m" AND DIMENSIONS ARE IN "mm" UNLESS OTHERWISE NOTED.
 - ALL DIMENSIONS AND ELEVATIONS SHALL BE CHECKED BY THE CONTRACTOR PRIOR TO CONSTRUCTION.
 - ACCORDING TO THE SPECIFICATION OF CONCRETE WORKS: "BK-GNRL-PEDCO-000-ST-SP-0001" 28 DAYS CHARACTERISTIC COMPRESSIVE STRENGTH OF MAIN CONCRETE IS 30 MPa
 - ACCORDING TO THE SPECIFICATION OF CONCRETE WORKS: "BK-GNRL-PEDCO-000-ST-SP-0001" 28 DAYS CHARACTERISTIC COMPRESSIVE STRENGTH OF LEAN CONCRETE IS 15 MPa
 - REINFORCING BARS SHALL BE S400 ACCORDING TO: ISIRI3132 AND INBC9 WITH MINIMUM TENSILE YIELD STRENGTH 400 N/mm²
 - CONCRETE COVER OVER BARS SHALL BE 75mm FOR FOUNDATION AND 50mm FOR BEAMS & COLUMNS.
 - UNDERGROUND CONCRETE SHALL BE PROTECTED AND COATED ACCORDING TO RELEVANT SPECIFICATION.
 - CEMENT TYPE 2 SHALL BE USED ACCORDING TO GEOTECHNICAL REPORT SUGGESTION.

±0.00 = +262.00(F.G.L)MSL

- LEGEND**
- F.G.L : FINISH GROUND LEVEL
T.O.F. : TOP OF FOUNDATION
T.O.S. : TOP OF SLAB
T.O.B. : TOP OF BEAM
- REINFORCED CONCRETE
LEAN CONCRETE
GROUND

REFERENCE DRAWING	DRG. No.
ARCHITECTURAL DRAWING FOR CCTV RACK ROOM-BINAK PU	BK-GCS-PEDCO-120-AR-DW-0010
FOUNDATION DRAWING FOR CCTV RACK ROOM-BINAK PU	BK-GCS-PEDCO-120-ST-DW-0079
GENERAL NOTES-REINFORCED CONCRETE STRUCTURES	BK-GNRL-PEDCO-000-ST-DW-0012
STANDARD DRAWING FOR INSERT PLATES IN CONCRETE	BK-GNRL-PEDCO-000-ST-DW-0007
BINAK PRODUCTION UNIT COMPRESSION FACILITIES PLOT PLAN	8001-DWG-PD-163
GEOTECHNICAL INVESTIGATION REPORT FOR COMPRESSOR STATION	BK-GCS-PEDCO-120-GI-RT-0001



REV.	DATE	P.O.I.S	PREP.	CHK.	APP.	AUT.	DESCRIPTION	BY	DATE	BY	DATE	
D02	FEB.2024	APC	R.BERLOUIE	M.FAKHARIAN	S.PARMAZPOUR	**						
D01	JAN.2024	IPA	R.BERLOUIE	M.FAKHARIAN	S.PARMAZPOUR	**						
D00	SEP.2023	IFC	R.BERLOUIE	M.FAKHARIAN	S.PARMAZPOUR	**						
REV.	DATE	P.O.I.S	PREP.	CHK.	APP.	AUT.	DESCRIPTION	CHECKED	REV.	DATE	BY	
PROJECT NAME:							BINAK OILFIELD DEVELOPMENT/SURFACE FACILITIES GAS COMPRESSOR STATION					
PROJECT NO.:							971020					
EPC CONTRACTOR:							EPD/EPC CONTRACTOR (GC):					
 HIRGAN ENERGY - DESIGN & INSPECTION COMPANIES							 PETROIRAN DEVELOPMENT COMPANY					
DRAWING TITLE:							STRUCTURAL DRAWING FOR CCTV RACK ROOM BINAK PU					
NO CONSTRUCTION PERMITTED UNLESS DRAWING APPROVED							APPROVED FOR CONSTRUCTION					
SCALE							BY:					
DATE							DATE:					
SCALE	SIZE	DRAWING NO.		SHEET NO.	REV.	BUDGET REF.	LOCATION	SIZE	CLASS	SERIAL NO.	SHEET	REVISION
AS SHOWN	A1	BK-GCS-PEDCO-120-ST-DW-0080		1 OF 1	D02	053-073-9184	F	4	M	709407	1	D02

اسم و کلیه نسخ این نقشه و حق اقتباس متعلق به شرکت ملی مناطق نفت خیز جنوب میباشد.
THE ORIGINAL AND ALL COPIES OF THIS DRAWING TOGETHER WITH THE COPYRIGHT THEREIN ARE THE SOLE PROPERTY OF N.I.S.O.C./ FIELDS