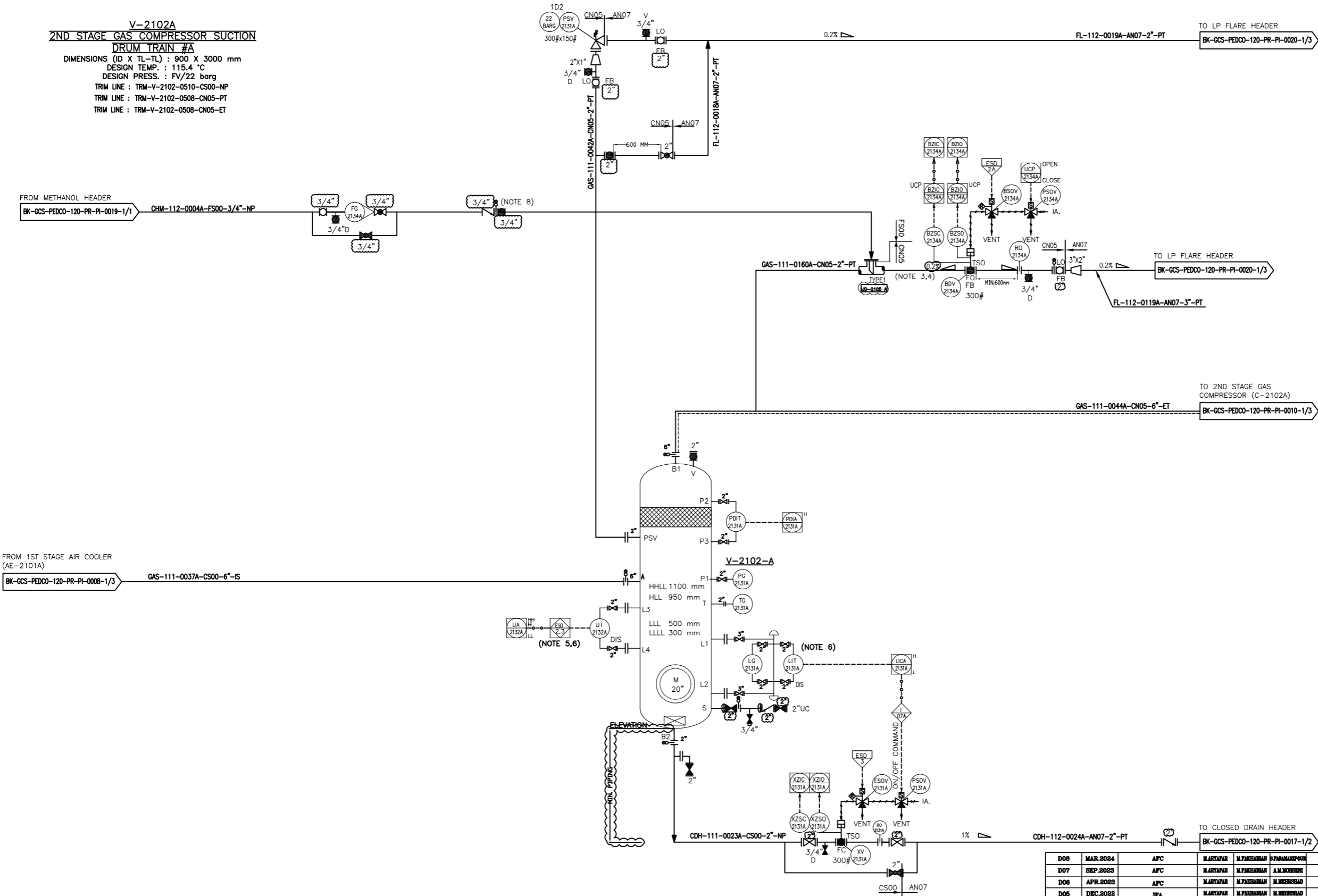
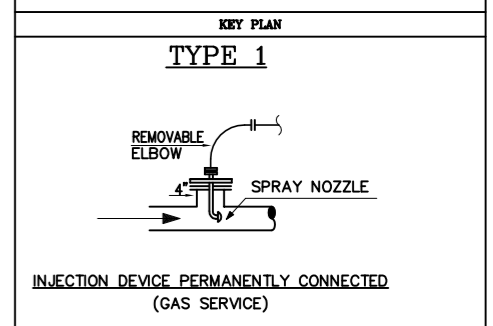
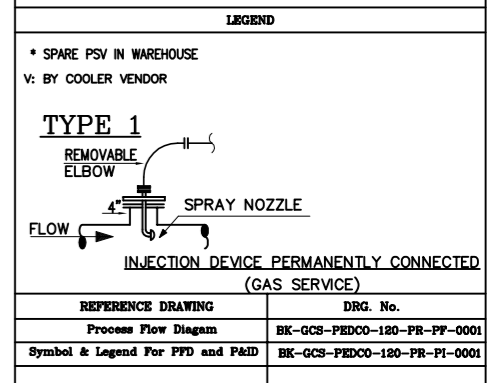


V-2102A
2ND STAGE GAS COMPRESSOR SUCTION
DRUM TRAIN #A
 DIMENSIONS (D X TL-TL) : 900 X 3000 mm
 DESIGN TEMP. : 115.4 °C
 DESIGN PRESS. : FV/22 barg
 TRIM LINE : TRM-V-2102-0510-CS00-NP
 TRIM LINE : TRM-V-2102-0508-CN05-PT
 TRIM LINE : TRM-V-2102-0508-CN05-ET



- NOTES**
- 1- DELETED.
 - 2- DELETED.
 - 3- DELETED.
 - 4- DELETED.
 - 5- ESD LEVEL 2 FOR HH AND 3 FOR LOW LIQUID LEVEL.
 - 6- DISCREPANCY CHECK BETWEEN LIT-2132A AND LIT-2131A TO BE CHECKED VIA DCS.
 - 7- PARTIAL STROKE DEVICE TO BE CONSIDERED FOR ALL ESDV'S ACTIVATED BY ESD 1.0.
 - 8- BEFORE IN CASE OF COLD DEPRESSURIZING, MANUAL VALVE WILL BE OPEN BY OPERATOR.
 - 9- ALL DRAIN LINE SHALL BE CONNECTED TO CLOSED DRAIN HEADER.



REV.	DATE	P.O.I.S	PREP.	CHK.	APP.	AUT.
D08	MAR.2024	APC	MARYAPAR	M.PAKHSHAN	M.PAKHSHAN	M.MOHESSIN
D07	SEP.2023	APC	MARYAPAR	M.PAKHSHAN	M.MOHESSIN	M.MOHESSIN
D06	APR.2023	APC	MARYAPAR	M.PAKHSHAN	M.MOHESSIN	M.MOHESSIN
D05	DEC.2022	IPA	MARYAPAR	M.PAKHSHAN	M.MOHESSIN	M.MOHESSIN
D04	AUG.2022	IPA	MARYAPAR	M.PAKHSHAN	M.MOHESSIN	M.MOHESSIN
D03	JUN.2022	IPA	MARYAPAR	M.PAKHSHAN	M.MOHESSIN	M.MOHESSIN
D02	MAR.2022	IPA	MARYAPAR	M.PAKHSHAN	M.MOHESSIN	M.MOHESSIN
D01	JAN.2022	IPA	MARYAPAR	M.PAKHSHAN	M.MOHESSIN	M.MOHESSIN
D00	SEP.2021	IPC	MARYAPAR	M.PAKHSHAN	M.MOHESSIN	M.MOHESSIN

REV.	DESCRIPTION	BY	DATE	BY	DATE
REV.	DESCRIPTION	BY	DATE	BY	DATE

PROJECT NAME: BINAK OILFIELD DEVELOPMENT/SURFACE FACILITIES GAS COMPRESSOR STATION

PROJECT NO.: 971020

EPC CONTRACTOR: HIRGAN ENERGY - DESIGN & INSPECTION COMPANIES

EPD/EPC CONTRACTOR (GC): PETROIRAN DEVELOPMENT COMPANY

DRAWING TITLE: P&ID - 2nd STAGE GAS COMPRESSION SUCTION DRUMS

SCALE	SIZE	DRAWING NO.	SHEET NO.	REV.
NS	AS	BK-GCS-PEDCO-120-PR-PI-0009	1 OF 3	D08

THE ORIGINAL AND ALL COPIES OF THIS DRAWING TOGETHER WITH THE COPYRIGHT THEREIN ARE THE SOLE PROPERTY OF N.I.S.O.C./ FIELDS

DATE	SCALE	DRAWING BY	CHECKED BY	PROJECT ENG.

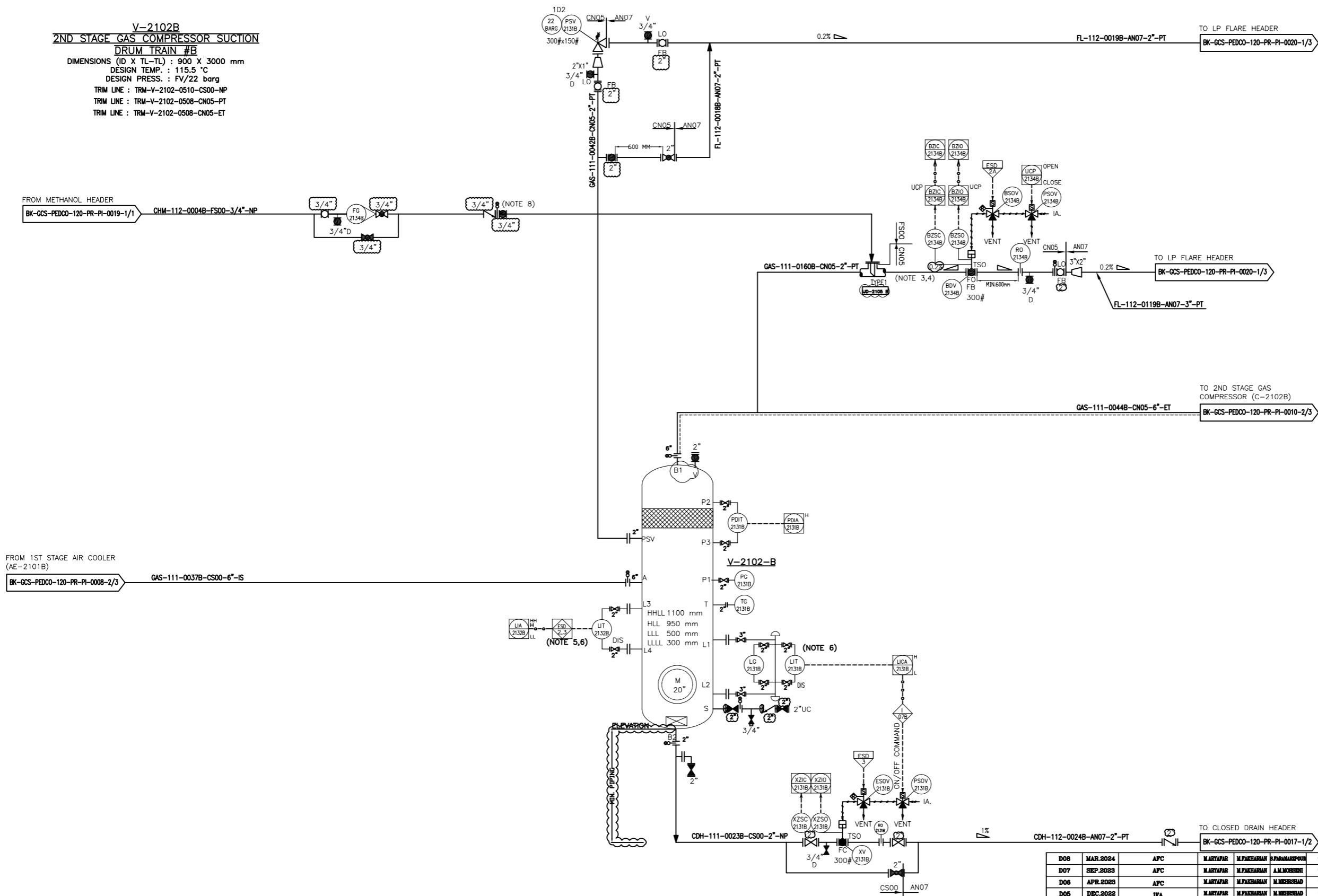
NO CONSTRUCTION PERMITTED UNLESS DRAWING APPROVED

APPROVED FOR CONSTRUCTION	BY:	DATE:

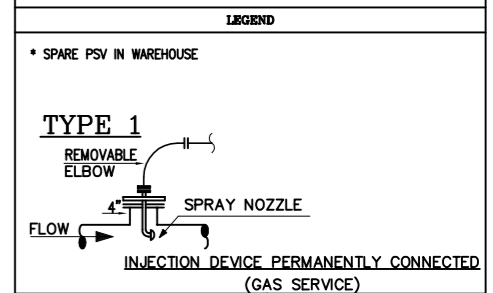
BUDGET REF.	LOCATION	SIZE	CLASS	SERIAL NO.	SHEET	REVISION
053-073-0184	F	2	A	706787	1 OF 3	D08

(VENDOR TITLE BLOCK)**

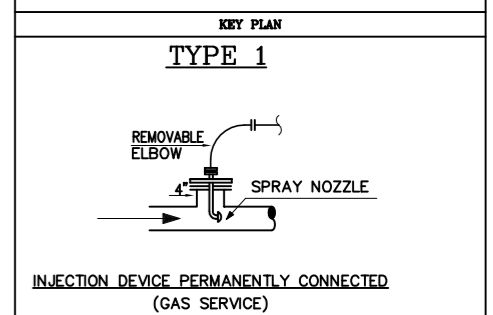
V-2102B
2ND STAGE GAS COMPRESSOR SUCTION
DRUM TRAIN #B
 DIMENSIONS (D X TL-TL) : 900 X 3000 mm
 DESIGN TEMP. : 115.5 °C
 DESIGN PRESS. : FV/22 barg
 TRIM LINE : TRM-V-2102-0510-CS00-NP
 TRIM LINE : TRM-V-2102-0508-CN05-PT
 TRIM LINE : TRM-V-2102-0508-CN05-ET



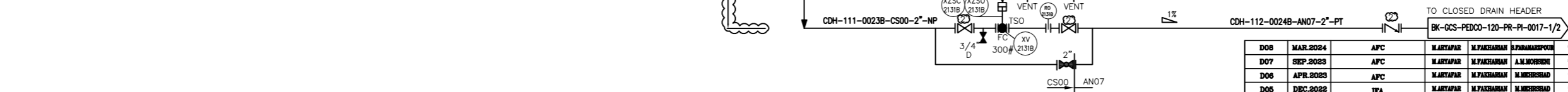
- NOTES**
- 1- DELETED.
 - 2- DELETED.
 - 3- DELETED.
 - 4- DELETED.
 - 5- ESD LEVEL 2 FOR HH AND 3 FOR LOW LIQUID LEVEL.
 - 6- DISCREPANCY CHECK BETWEEN UT-2132A AND UT-2131A TO BE CHECKED VIA DCS.
 - 7- PARTIAL STROKE DEVICE TO BE CONSIDERED FOR ALL ESDV'S ACTIVATED BY ESD 1.0.
 - 8- BEFORE IN CASE OF COLD DEPRESSURIZING, MANUAL VALVE WILL BE OPEN BY OPERATOR.
 - 9- ALL DRAIN LINE SHALL BE CONNECTED TO CLOSED DRAIN HEADER.



REFERENCE DRAWING	DRG. No.
Process Flow Diagram	BK-GCS-PEDCO-120-PR-PF-0001
Symbol & Legend For PFD and P&ID	BK-GCS-PEDCO-120-PR-PI-0001



FROM 1ST STAGE AIR COOLER (AE-2101B)
 BK-GCS-PEDCO-120-PR-PI-0008-2/3 GAS-111-0037B-CS00-6\"/>



REV.	DATE	P.O.I.S	PREP.	CHK.	APP.	AUT.
D08	MAR.2024	APC	MARYAPAR	M.PAKHSHAN	M.PAKHSHAN	M.MOHSSENI
D07	SEP.2023	APC	MARYAPAR	M.PAKHSHAN	M.MOHSSENI	M.MOHSSENI
D06	APR.2023	APC	MARYAPAR	M.PAKHSHAN	M.MOHSSENI	M.MOHSSENI
D05	DEC.2022	IPA	MARYAPAR	M.PAKHSHAN	M.MOHSSENI	M.MOHSSENI
D04	AUG.2022	IPA	MARYAPAR	M.PAKHSHAN	M.MOHSSENI	M.MOHSSENI
D03	JUN.2022	IPA	MARYAPAR	M.PAKHSHAN	M.MOHSSENI	M.MOHSSENI
D02	MAR.2022	IPA	MARYAPAR	M.PAKHSHAN	M.MOHSSENI	M.MOHSSENI
D01	JAN.2022	IPA	MARYAPAR	M.PAKHSHAN	M.MOHSSENI	M.MOHSSENI
D00	SEP.2021	IPC	MARYAPAR	M.PAKHSHAN	M.MOHSSENI	M.MOHSSENI

PROJECT NAME: BINAK OILFIELD DEVELOPMENT/SURFACE FACILITIES GAS COMPRESSOR STATION

PROJECT NO.: 971020

EPC CONTRACTOR: HIRGAN ENERGY - DESIGN & INSPECTION COMPANIES

EPD/EPC CONTRACTOR (GC): PETROIRAN DEVELOPMENT COMPANY

DRAWING TITLE: P&ID - 2nd STAGE GAS COMPRESSION SUCTION DRUMS

SCALE	SIZE	DRAWING NO.	SHEET NO.	REV.
NS	AS	BK-GCS-PEDCO-120-PR-PI-0009	2 OF 3	D08

THE ORIGINAL AND ALL COPIES OF THIS DRAWING TOGETHER WITH THE COPYRIGHT THEREIN ARE THE SOLE PROPERTY OF N.I.S.O.C./ FIELDS

DATE	SCALE	DRAWING BY	CHECKED BY	PROJECT ENG.

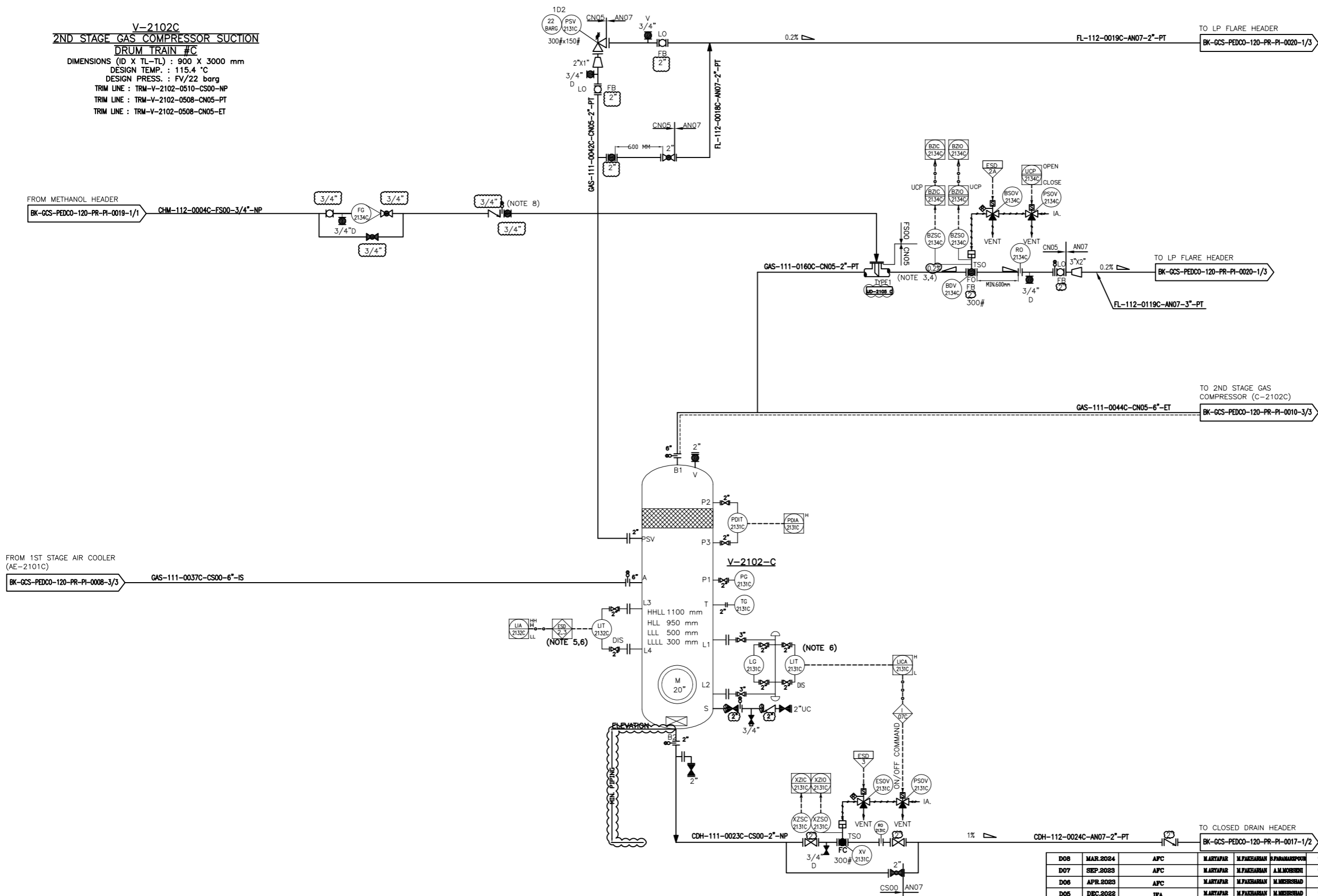
NO CONSTRUCTION PERMITTED UNLESS DRAWING APPROVED

APPROVED FOR CONSTRUCTION	BY:	DATE:

BUDGET REF.	LOCATION	SIZE	CLASS	SERIAL NO.	SHEET	REVISION
053-073-0184	F	2	A	706787	2 OF 3	D08

(VENDOR TITLE BLOCK)**

V-2102C
2ND STAGE GAS COMPRESSOR SUCTION
DRUM TRAIN #C
 DIMENSIONS (D X TL-TL) : 900 X 3000 mm
 DESIGN TEMP. : 115.4 °C
 DESIGN PRESS. : FV/22 barg
 TRIM LINE : TRM-V-2102-0510-CS00-NP
 TRIM LINE : TRM-V-2102-0508-CN05-PT
 TRIM LINE : TRM-V-2102-0508-CN05-ET



- NOTES**
- 1- DELETED.
 - 2- DELETED.
 - 3- DELETED.
 - 4- DELETED.
 - 5- ESD LEVEL 2 FOR HH AND 3 FOR LOW LIQUID LEVEL.
 - 6- DISCREPANCY CHECK BETWEEN UT-2132A AND UT-2131A TO BE CHECKED VIA DCS.
 - 7- PARTIAL STROKE DEVICE TO BE CONSIDERED FOR ALL ESDV'S ACTIVATED BY ESD 1.0.
 - 8- BEFORE IN CASE OF COLD DEPRESSURIZING, MANUAL VALVE WILL BE OPEN BY OPERATOR.
 - 9- ALL DRAIN LINE SHALL BE CONNECTED TO CLOSED DRAIN HEADER.

LEGEND

- SPARE PSV IN WAREHOUSE

TYPE 1
 REMOVABLE ELBOW
 SPRAY NOZZLE
 INJECTION DEVICE PERMANENTLY CONNECTED (GAS SERVICE)

REFERENCE DRAWING	DRG. No.
Process Flow Diagram	BK-GCS-PEDCO-120-PR-PF-0001
Symbol & Legend For PFD and P&ID	BK-GCS-PEDCO-120-PR-PI-0001

KEY PLAN

TYPE 1
 REMOVABLE ELBOW
 SPRAY NOZZLE
 INJECTION DEVICE PERMANENTLY CONNECTED (GAS SERVICE)

REV.	DATE	P.O.I.S	PREP.	CHK.	APP.	AUT.
D08	MAR.2024	APC	MARYAPAR	M.PAKHSHAN	M.PAKHSHAN	00.00
D07	SEP.2023	APC	MARYAPAR	M.PAKHSHAN	A.M.MOHESEN	00.00
D06	APR.2023	APC	MARYAPAR	M.PAKHSHAN	M.MEHRSHAD	00.00
D05	DEC.2022	IPA	MARYAPAR	M.PAKHSHAN	M.MEHRSHAD	00.00
D04	AUG.2022	IPA	MARYAPAR	M.PAKHSHAN	M.MEHRSHAD	00.00
D03	JUN.2022	IPA	MARYAPAR	M.PAKHSHAN	M.MEHRSHAD	00.00
D02	MAR.2022	IPA	MARYAPAR	M.PAKHSHAN	M.MEHRSHAD	00.00
D01	JAN.2022	IPA	MARYAPAR	M.PAKHSHAN	M.MEHRSHAD	00.00
D00	SEP.2021	IPC	MARYAPAR	M.PAKHSHAN	M.MEHRSHAD	00.00

REV.	DESCRIPTION	BY	DATE	BY	DATE
REV.	DESCRIPTION	BY	DATE	BY	DATE

PROJECT NAME: BINAK OILFIELD DEVELOPMENT/SURFACE FACILITIES GAS COMPRESSOR STATION
 PROJECT NO.: 971020
 EPC CONTRACTOR: HIRGAN ENERGY - DESIGN & INSPECTION COMPANIES
 EPD/EPC CONTRACTOR (GC): PETROIRAN DEVELOPMENT COMPANY
 DRAWING TITLE: P&ID - 2nd STAGE GAS COMPRESSION SUCTION DRUMS
 (VENDOR TITLE BLOCK)**

DATE	SCALE	DRAWING BY	CHECKED BY	PROJECT ENG.

NO CONSTRUCTION PERMITTED UNLESS DRAWING APPROVED

BUDGET REF.	LOCATION	SIZE	CLASS	SERIAL NO.	SHEET	REVISION
053-073-0184	F	2	A	706787	3 OF 3	D08