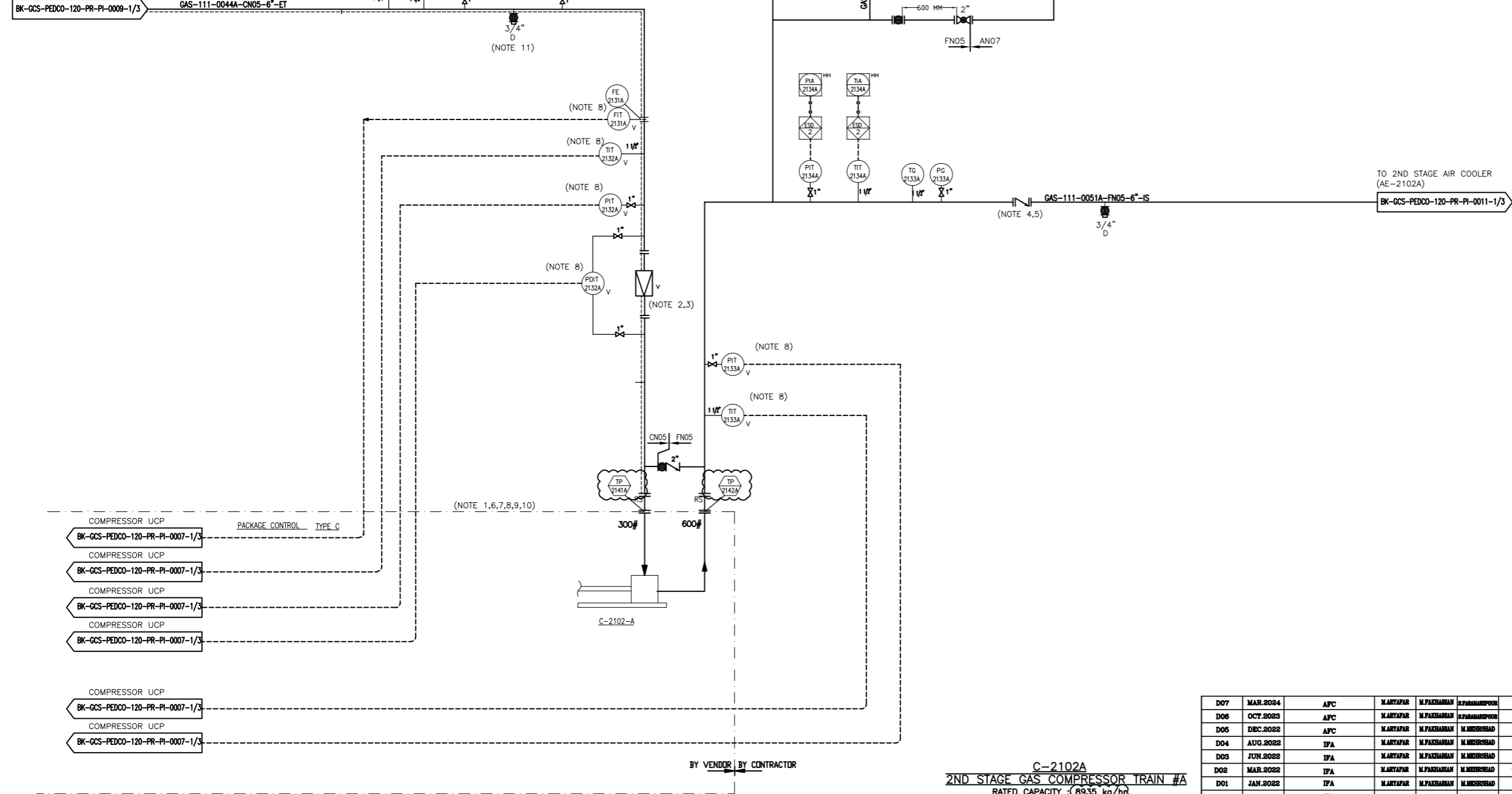


FROM 2ND STAGE GAS COMP. SUCTION DRUM (V-2102A)



C-2102A
2ND STAGE GAS COMPRESSOR TRAIN #A
 RATED CAPACITY : 8935 kg/hr
 DESIGN TEMP. : 180 °C
 DESIGN PRESS. : 62 barg
 (1 X 100%)
 TRIM LINE : TRM-C-2102A-0511-FN05-IS
 TRIM LINE : TRM-C-2102A-0508-CN05-ET

- NOTES**
- 1- COMPRESSOR PACKAGE WILL BE FINALIZED BY VENDOR.
 - 2- STRAINER TO BE MIN. DISTANCE FROM COMPRESSOR INLET NOZZLE.
 - 3- STRAINER TO BE REMOVABLE WITHOUT BREAKING PIPING ALIGNMENT.
 - 4- CON TYPE SUITABLE FOR COMPRESSOR SERVICE.
 - 5- LOCATE AS CLOSE TO C-2102A OUTLET FLANGE AS POSSIBLE.
 - 6- CONTROL OF COMPRESSOR PACKAGE WILL BE FINALIZED BY VENDOR.
 - 7- COMPRESSOR VENDOR TO CONFIRM REQUIREMENT FOR HOT GAS BY-PASS.
 - 8- SHALL BE PROVIDED BY COMPRESSOR VENDOR.
 - 9- PULSATION DAMPERS ARE REQUIRED ON DISCHARGE OF EACH STAGE.
 - 10- REDUNDANT SERIAL LINK SHALL BE CONSIDERED BETWEEN UCP AND DCS. QUANTITIES OF SIGNALS WILL BE FINALIZED LATER.
 - 11- DRAIN CONNECTION SHALL BE CONSIDER ON LOW POINT OF LINE BETWEEN V-2101 A AND COMPRESSOR.
 - 12- PARTIAL STROK DEVICE TO BE CONSIDERED FOR ALL ESDV'S ACTIVATED BY ESD 1,0.
 - 13- ALL DRAIN LINE SHALL BE CONNECTED TO CLOSED DRAIN HEADER.

LEGEND

V : PROVIDE BY COMPRESSOR VENDOR

REFERENCE DRAWING	DRG. No.
Process Flow Diagram	BK-GCS-PEDCO-120-PR-PF-0001
Symbol & Legend For PFD and P&ID	BK-GCS-PEDCO-120-PR-PI-0001

KEY PLAN

REV.	DATE	P.O.I.S	PREP.	CHK.	APP.	AUT.
D07	MAR.2024	APC	M.ARYAPAR	M.PAKSHAMAN	M.FARHANGPOOR	00.00
D06	OCT.2023	APC	M.ARYAPAR	M.PAKSHAMAN	M.FARHANGPOOR	00.00
D05	DEC.2022	APC	M.ARYAPAR	M.PAKSHAMAN	M.MEHRSHAD	00.00
D04	AUG.2022	IFA	M.ARYAPAR	M.PAKSHAMAN	M.MEHRSHAD	00.00
D03	JUN.2022	IFA	M.ARYAPAR	M.PAKSHAMAN	M.MEHRSHAD	00.00
D02	MAR.2022	IFA	M.ARYAPAR	M.PAKSHAMAN	M.MEHRSHAD	00.00
D01	JAN.2022	IFA	M.ARYAPAR	M.PAKSHAMAN	M.MEHRSHAD	00.00
D00	SEP.2021	IPC	M.ARYAPAR	M.PAKSHAMAN	M.MEHRSHAD	00.00

REV.	DESCRIPTION	BY	DATE	BY	DATE

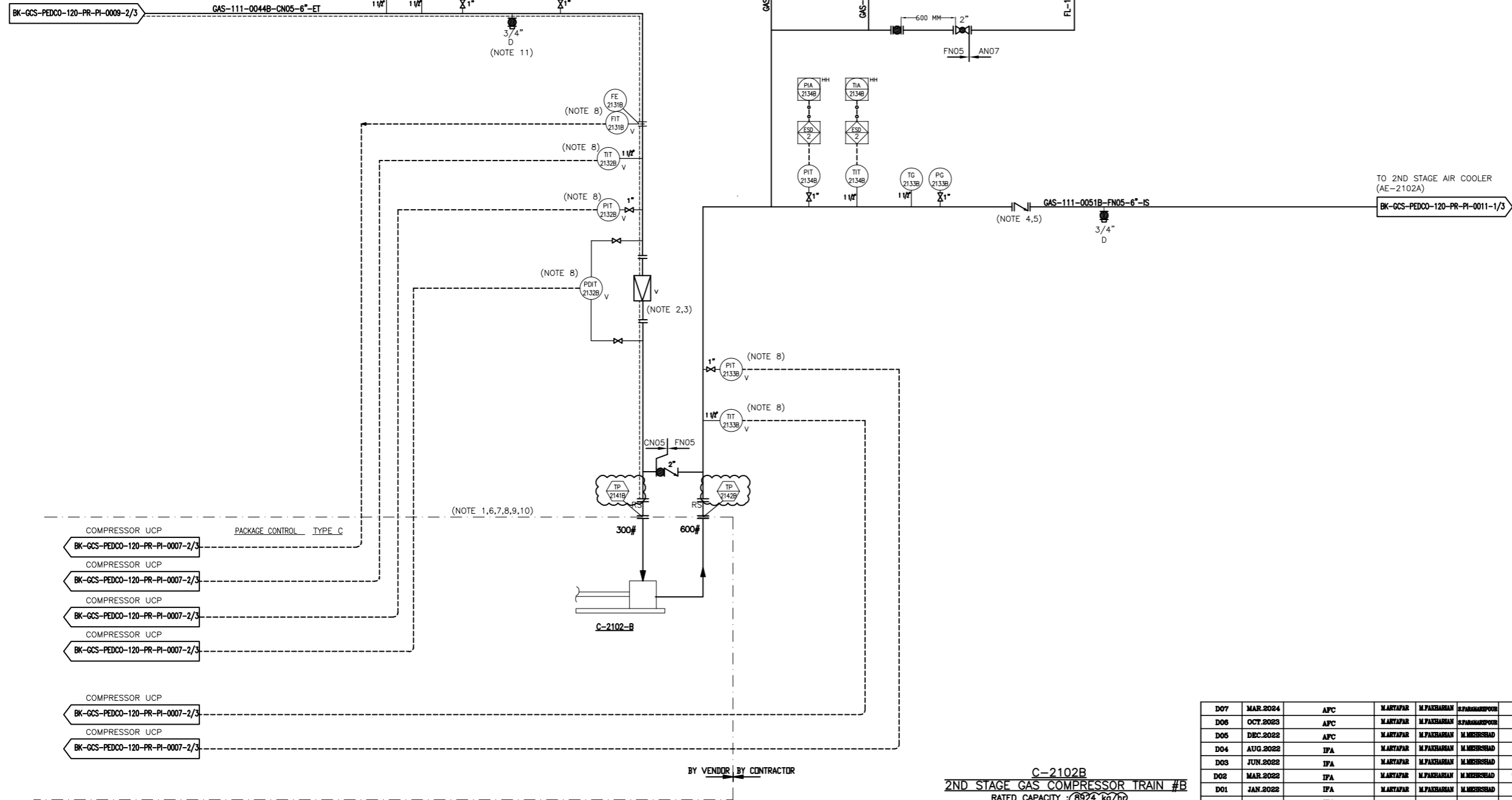
PROJECT NAME: BINAK OILFIELD DEVELOPMENT/SURFACE FACILITIES GAS COMPRESSOR STATION
 PROJECT NO.: 971020
 EPC CONTRACTOR: HIRGAN ENERGY - DESIGN & INSPECTION COMPANIES
 EPD/EPC CONTRACTOR (GC): PETROIRAN DEVELOPMENT COMPANY
 DRAWING TITLE: P&ID - 2nd STAGE GAS COMPRESSOR COMPRESSORS
 SCALE: NS AS DRAWING NO. BK-GCS-PEDCO-120-PR-PI-0010 SHEET NO. 1 OF 3 REV. D07

امزل و کلیه نسخ این نقشه و جزئیات متعلق به شرکت ملی مناطق نفت خیز جنوب میباشند
 THE ORIGINAL AND ALL COPIES OF THIS DRAWING TOGETHER WITH THE COPYRIGHT THEREIN ARE THE SOLE PROPERTY OF N.I.S.O.C./ FIELDS

DATE	SCALE	DRAWING BY	CHECKED BY	PROJECT ENG.

NO CONSTRUCTION PERMITTED UNLESS DRAWING APPROVED
 APPROVED FOR CONSTRUCTION BY: DATE: 053-073-9184 F 2 A 706788 1 OF 3 D07

FROM 2ND STAGE GAS COMP. SUCTION DRUM (V-2102B)



- COMPRESSOR UCP
BK-GCS-PEDCO-120-PR-PI-0007-2/3
- COMPRESSOR UCP
BK-GCS-PEDCO-120-PR-PI-0007-2/3
- COMPRESSOR UCP
BK-GCS-PEDCO-120-PR-PI-0007-2/3
- COMPRESSOR UCP
BK-GCS-PEDCO-120-PR-PI-0007-2/3
- COMPRESSOR UCP
BK-GCS-PEDCO-120-PR-PI-0007-2/3
- COMPRESSOR UCP
BK-GCS-PEDCO-120-PR-PI-0007-2/3

C-2102B
2ND STAGE GAS COMPRESSOR TRAIN #B
 RATED CAPACITY : 8924 kg/hr
 DESIGN TEMP. : 180 °C
 DESIGN PRESS. : 62 barg
 (1 X 100%)
 TRIM LINE : TRM-C-2102B-0511-FN05-S
 TRIM LINE : TRM-C-2102B-0508-CN05-ET

- NOTES**
- 1- COMPRESSOR PACKAGE WILL BE FINALIZED BY VENDOR.
 - 2- STRAINER TO BE MIN. DISTANCE FROM COMPRESSOR INLET NOZZLE.
 - 3- STRAINER TO BE REMOVABLE WITHOUT BREAKING PIPING ALIGNMENT.
 - 4- CON TYPE SUITABLE FOR COMPRESSOR SERVICE.
 - 5- LOCATE AS CLOSE TO C-2102B OUTLET FLANGE AS POSSIBLE.
 - 6- CONTROL OF COMPRESSOR PACKAGE WILL BE FINALIZED BY VENDOR.
 - 7- COMPRESSOR VENDOR TO CONFIRM REQUIREMENT FOR HOT GAS BY-PASS.
 - 8- SHALL BE PROVIDED BY COMPRESSOR VENDOR.
 - 9- PULSATION DAMPERS ARE REQUIRED ON DISCHARGE OF EACH STAGE.
 - 10- REDUNDANT SERIAL LINK SHALL BE CONSIDERED BETWEEN UCP AND DCS. QUANTITIES OF SIGNALS WILL BE FINALIZED LATER.
 - 11- DRAIN CONNECTION SHALL BE CONSIDER ON LOW POINT OF LINE BETWEEN V-2101 A AND COMPRESSOR.
 - 12- PARTIAL STROK DEVICE TO BE CONSIDERED FOR ALL ESDV'S ACTIVATED BY ESD 1,0.
 - 13- ALL DRAIN LINE SHALL BE CONNECTED TO CLOSED DRAIN HEADER.

LEGEND

V : PROVIDE BY COMPRESSOR VENDOR

REFERENCE DRAWING	DRG. No.
Process Flow Diagram	BK-GCS-PEDCO-120-PR-PF-0001
Symbol & Legend For PFD and P&ID	BK-GCS-PEDCO-120-PR-PI-0001

KEY PLAN

REV.	DATE	P.O.I.S	PREP.	CHK.	APP.	AUT.
D07	MAR.2024	APC	M.ARYAPAR	M.PAKSHAMAN	S.PARMADEEPPOOR	00.00
D06	OCT.2023	APC	M.ARYAPAR	M.PAKSHAMAN	S.PARMADEEPPOOR	00.00
D05	DEC.2022	APC	M.ARYAPAR	M.PAKSHAMAN	M.MEHRSHAD	00.00
D04	AUG.2022	IFA	M.ARYAPAR	M.PAKSHAMAN	M.MEHRSHAD	00.00
D03	JUN.2022	IFA	M.ARYAPAR	M.PAKSHAMAN	M.MEHRSHAD	00.00
D02	MAR.2022	IFA	M.ARYAPAR	M.PAKSHAMAN	M.MEHRSHAD	00.00
D01	JAN.2022	IFA	M.ARYAPAR	M.PAKSHAMAN	M.MEHRSHAD	00.00
D00	SEP.2021	IPC	M.ARYAPAR	M.PAKSHAMAN	M.MEHRSHAD	00.00

REV.	DATE	DESCRIPTION	BY	DATE	BY	DATE

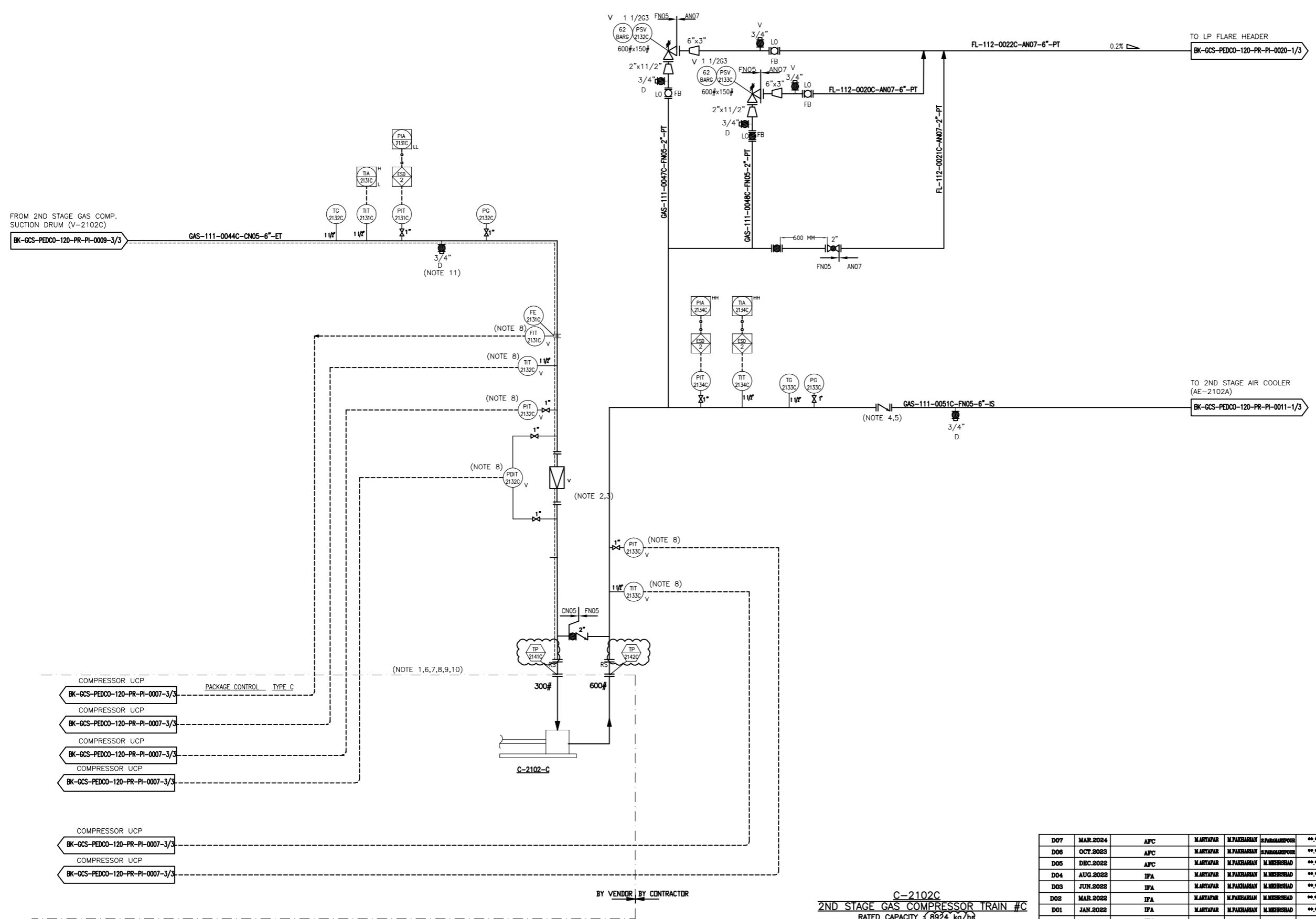
PROJECT NAME: BINAK OILFIELD DEVELOPMENT/SURFACE FACILITIES GAS COMPRESSOR STATION
 PROJECT NO.: 971020
 EPC CONTRACTOR: HIRGAN ENERGY - DESIGN & INSPECTION COMPANIES
 EPD/EPC CONTRACTOR (GC): PETROIRAN DEVELOPMENT COMPANY
 DRAWING TITLE: P&ID - 2nd STAGE GAS COMPRESSOR COMPRESSORS
 SCALE: NS AS DRAWING NO. BK-GCS-PEDCO-120-PR-PI-0010 SHEET NO. 2 OF 3 REV. D07

THE ORIGINAL AND ALL COPIES OF THIS DRAWING TOGETHER WITH THE COPYRIGHT THEREIN ARE THE SOLE PROPERTY OF N.I.S.O.C./ FIELDS

DATE	SCALE	DRAWING BY	CHECKED BY	PROJECT ENG.

NO CONSTRUCTION PERMITTED UNLESS DRAWING APPROVED

BUDGET REF.	LOCATION	SIZE	CLASS	SERIAL NO.	SHEET	REVISION
053-073-0184	F	2	A	706788	2 OF 3	D07



- NOTES**
- 1- COMPRESSOR PACKAGE WILL BE FINALIZED BY VENDOR.
 - 2- STRAINER TO BE MIN. DISTANCE FROM COMPRESSOR INLET NOZZLE.
 - 3- STRAINER TO BE REMOVABLE WITHOUT BREAKING PIPING ALIGNMENT.
 - 4- CON TYPE SUITABLE FOR COMPRESSOR SERVICE.
 - 5- LOCATE AS CLOSE TO C-2102C OUTLET FLANGE AS POSSIBLE.
 - 6- CONTROL OF COMPRESSOR PACKAGE WILL BE FINALIZED BY VENDOR.
 - 7- COMPRESSOR VENDOR TO CONFIRM REQUIREMENT FOR HOT GAS BY-PASS.
 - 8- SHALL BE PROVIDED BY COMPRESSOR VENDOR.
 - 9- PULSATION DAMPERS ARE REQUIRED ON DISCHARGE OF EACH STAGE.
 - 10- REDUNDANT SERIAL LINK SHALL BE CONSIDERED BETWEEN UCP AND DCS. QUANTITIES OF SIGNALS WILL BE FINALIZED LATER.
 - 11- DRAIN CONNECTION SHALL BE CONSIDERED ON LOW POINT OF LINE BETWEEN V-2101 A AND COMPRESSOR.
 - 12- PARTIAL STROK DEVICE TO BE CONSIDERED FOR ALL ESD'S ACTIVATED BY ESD 1,0.
- 13- ALL DRAIN LINE SHALL BE CONNECTED TO CLOSED DRAIN HEADER.

LEGEND

V : PROVIDE BY COMPRESSOR VENDOR

REFERENCE DRAWING	DRG. No.
Process Flow Diagram	BK-GCS-PEDCO-120-PR-PF-0001
Symbol & Legend For PFD and P&ID	BK-GCS-PEDCO-120-PR-P1-0001

KEY PLAN

C-2102C
2ND STAGE GAS COMPRESSOR TRAIN #C
 RATED CAPACITY : 8924 kg/hr
 DESIGN TEMP. : 180 °C
 DESIGN PRESS. : 62 barg
 (1 X 100%)
 TRIM LINE : TRM-C-2102C-0511-FN05-IS
 TRIM LINE : TRM-C-2102C-0508-CN05-ET

REV.	DATE	P.O.I.S	PREP.	CHK.	APP.	AUT.
D07	MAR.2024	APC	M.ARYAPAR	M.PAKHSHAN	M.FARHANGPOOR	**.**
D06	OCT.2023	APC	M.ARYAPAR	M.PAKHSHAN	M.FARHANGPOOR	**.**
D05	DEC.2022	APC	M.ARYAPAR	M.PAKHSHAN	M.MEHRSHAD	**.**
D04	AUG.2022	IFA	M.ARYAPAR	M.PAKHSHAN	M.MEHRSHAD	**.**
D03	JUN.2022	IFA	M.ARYAPAR	M.PAKHSHAN	M.MEHRSHAD	**.**
D02	MAR.2022	IFA	M.ARYAPAR	M.PAKHSHAN	M.MEHRSHAD	**.**
D01	JAN.2022	IFA	M.ARYAPAR	M.PAKHSHAN	M.MEHRSHAD	**.**
D00	SEP.2021	IPC	M.ARYAPAR	M.PAKHSHAN	M.MEHRSHAD	**.**

REV.	DATE	DESCRIPTION	BY	DATE	BY	DATE

DATE	SCALE	DRAWING BY	CHECKED BY	PROJECT ENG.

BUDGET REF.	LOCATION	SIZE	CLASS	SERIAL NO.	SHEET	REVISION
053-073-0184	F	2	A	706788	3 OF 3	D07

PROJECT NAME: BINAK OILFIELD DEVELOPMENT/SURFACE FACILITIES GAS COMPRESSOR STATION
 PROJECT NO.: 971020
 EPC CONTRACTOR: HIRGAN ENERGY - DESIGN & INSPECTION COMPANIES
 EPD/EPC CONTRACTOR (GC): PETROIRAN DEVELOPMENT COMPANY
 DRAWING TITLE: P&ID - 2nd STAGE GAS COMPRESSION COMPRESSORS
 SHEET NO. 3 OF 3
 REV. D07

NO CONSTRUCTION PERMITTED UNLESS DRAWING APPROVED
 APPROVED FOR CONSTRUCTION BY: DATE:

(VENDOR TITLE BLOCK)**