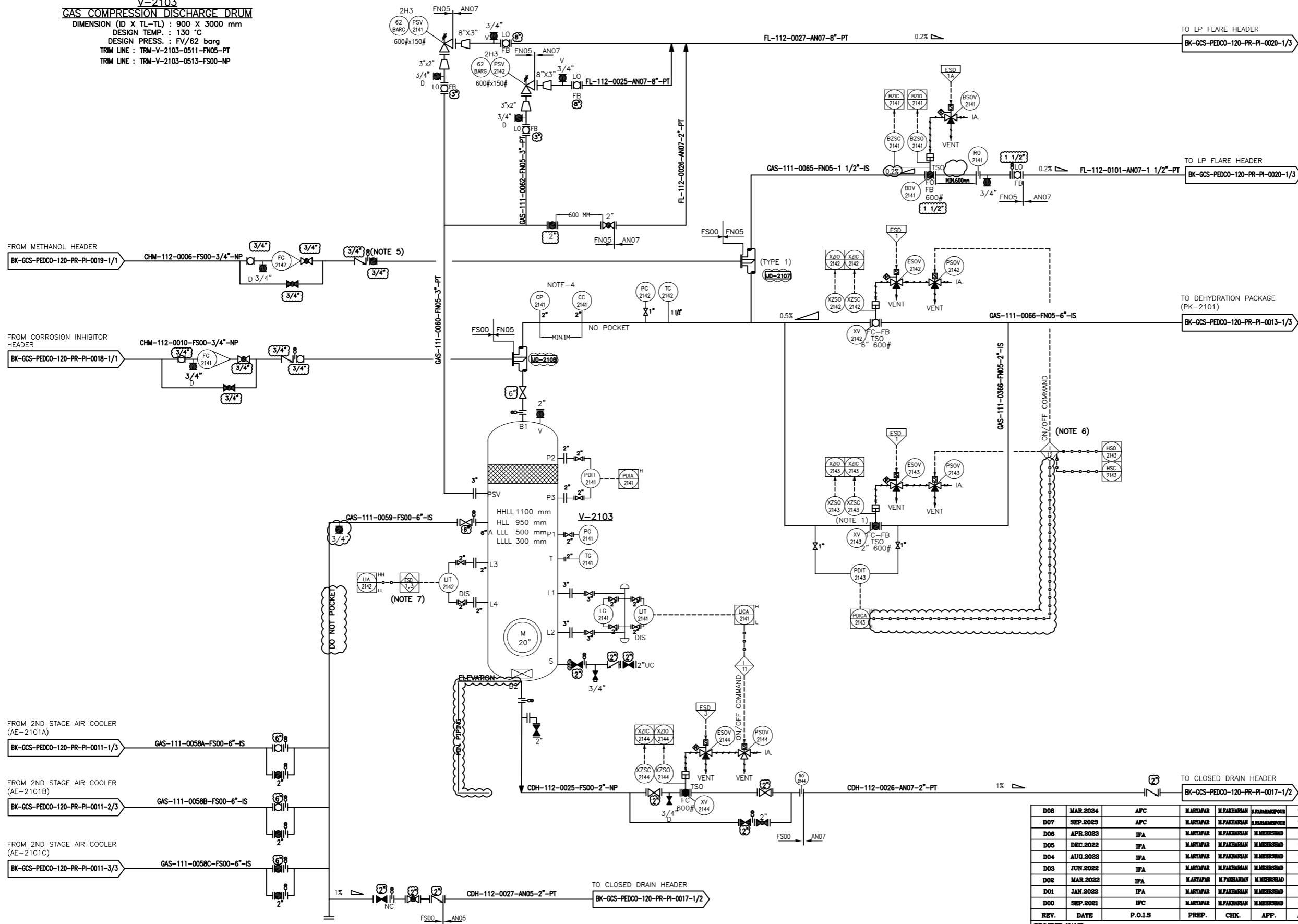
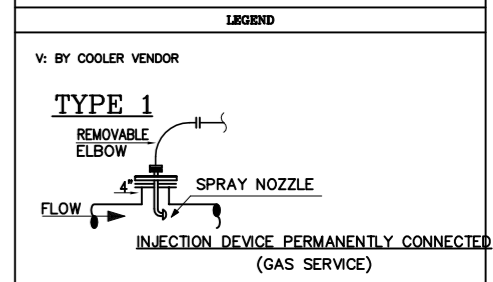


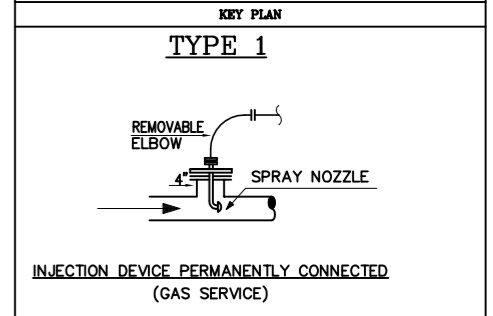
V-2103
GAS COMPRESSION DISCHARGE DRUM
 DIMENSION (ID X TL-TL) : 900 X 3000 mm
 DESIGN TEMP. : 130 °C
 DESIGN PRESS. : FV/62 barg
 TRIM LINE : TRM-V-2103-0511-FN05-PT
 TRIM LINE : TRM-V-2103-0513-FS00-NP



- NOTES**
- 1- DELETED.
 - 2- DELETED.
 - 3- DELETED.
 - 4- ONE PORTABLE METER FOR CORROSION PROBES TO BE PROVIDED PER SITE TO RECOVERY MONITOR CORROSION DATA.
 - 5- BEFORE IN CASE OF COLD DEPRESSURIZING, MANUAL VALVE WILL BE OPEN BY OPERATOR.
 - 6- OPEN/CLOSE COMMAND BY OPERATOR WILL BE IMPLEMENTED BY EQUALIZING LOGIC DURING START UP.
 - 7- ESD LEVEL 1 FOR HH AND 3 FOR LL LIQUID LEVEL
 - 8- PARTIAL STROKE DEVICE TO BE CONSIDERED FOR ALL ESDV'S ACTIVATED BY ESD 1/2
 - 9- ALL DRAIN LINE SHALL BE CONNECTED TO CLOSED DRAIN HEADER.



REFERENCE DRAWING	DRG. No.
Process Flow Diagram	BK-GCS-PEDCO-120-PR-PF-0001
Symbol & Legend For PFD and P&ID	BK-GCS-PEDCO-120-PR-PI-0001



REV.	DATE	P.O.I.S	PREP.	CHK.	APP.	AUT.
D08	MAR.2024	APC	M.ARYAPAR	M.PAKHSHAN	M.PARMAHOSSEIN	00.00
D07	SEP.2023	APC	M.ARYAPAR	M.PAKHSHAN	M.PARMAHOSSEIN	00.00
D06	APR.2023	IPA	M.ARYAPAR	M.PAKHSHAN	M.MEHRSHAD	00.00
D05	DEC.2022	IPA	M.ARYAPAR	M.PAKHSHAN	M.MEHRSHAD	00.00
D04	AUG.2022	IPA	M.ARYAPAR	M.PAKHSHAN	M.MEHRSHAD	00.00
D03	JUN.2022	IPA	M.ARYAPAR	M.PAKHSHAN	M.MEHRSHAD	00.00
D02	MAR.2022	IPA	M.ARYAPAR	M.PAKHSHAN	M.MEHRSHAD	00.00
D01	JAN.2022	IPA	M.ARYAPAR	M.PAKHSHAN	M.MEHRSHAD	00.00
D00	SEP.2021	IPC	M.ARYAPAR	M.PAKHSHAN	M.MEHRSHAD	00.00

REV.	DESCRIPTION	BY	DATE	BY	DATE
REV.	DESCRIPTION	BY	DATE	BY	DATE

PROJECT NAME: BINAK OILFIELD DEVELOPMENT/SURFACE FACILITIES GAS COMPRESSOR STATION

PROJECT NO.: 971020

EPC CONTRACTOR: HIRGAN ENERGY - DESIGN & INSPECTION COMPANIES

EPD/EPC CONTRACTOR (GC): PETROIRAN DEVELOPMENT COMPANY

BINAK OILFIELD DEVELOPMENT SURFACE FACILITIES GAS COMPRESSOR STATION

NO CONSTRUCTION PERMITTED UNLESS DRAWING APPROVED

APPROVED FOR CONSTRUCTION BY: DATE:

SCALE	SIZE	DRAWING NO.	SHEET NO.	REV.	BUDGET REF.	LOCATION	SIZE	CLASS	SERIAL NO.	SHEET	REVISION
NS	AS	BK-GCS-PEDCO-120-PR-PI-0012	1 OF 1	D08	053-073-9184	F	2	A	706790	1 OF 1	D08

امیر و کلیه نسخ این نقشه و جزئیات متعلق به شرکت ملی مناطق نفت خیز جنوب میباشند.

THE ORIGINAL AND ALL COPIES OF THIS DRAWING TOGETHER WITH THE COPYRIGHT THEREIN ARE THE SOLE PROPERTY OF N.I.S.O.C./ FIELDS