

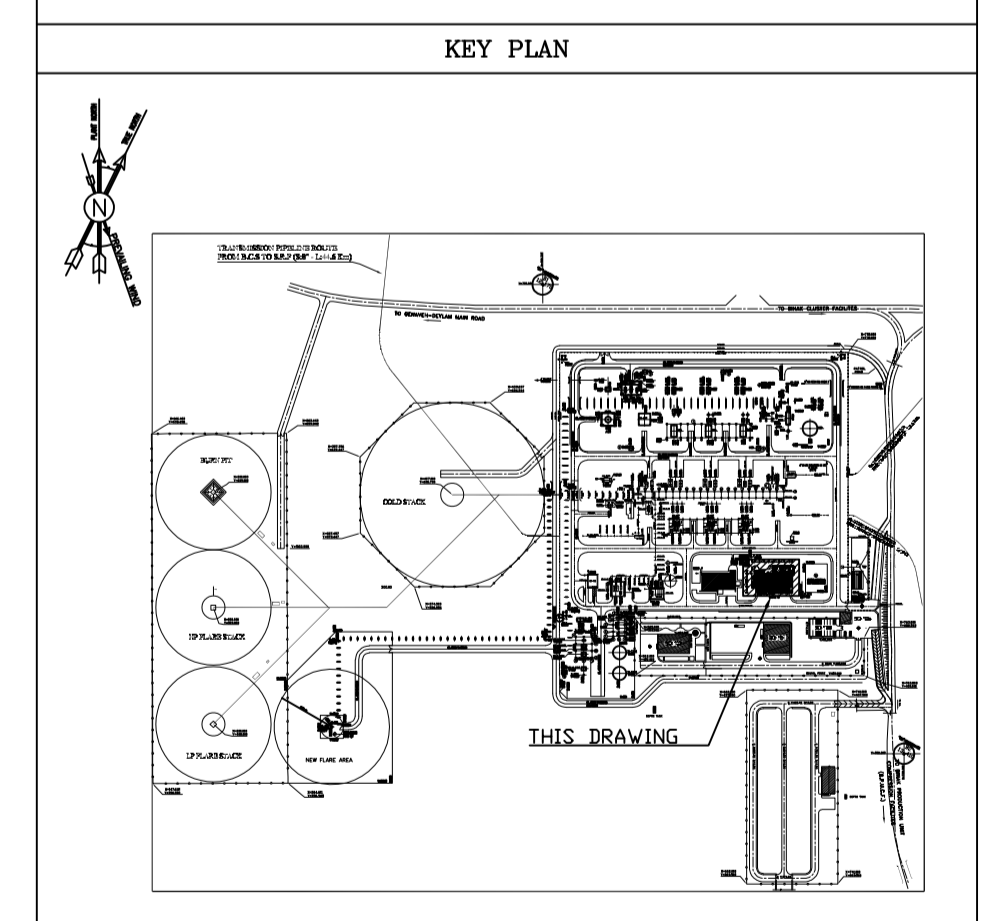
- NOTES**
- 1) ALL ELEVATIONS AND COORDINATES ARE IN "m" AND DIMENSIONS ARE IN "mm" UNLESS OTHERWISE NOTED.
 - 2) ALL DIMENSIONS AND ELEVATIONS SHALL BE CHECKED BY THE CONTRACTOR PRIOR TO CONSTRUCTION.
 - 3) ACCORDING TO THE SPECIFICATION OF CONCRETE WORKS:
"BK-GNRL-PEDCO-000-ST-SP-0001" 28 DAYS CHARACTERISTIC COMPRESSIVE STRENGTH OF MAIN CONCRETE IS 30 MPa (ON CYLINDRICAL SPECIMEN)
 - 4) ACCORDING TO THE SPECIFICATION OF CONCRETE WORKS:
"BK-GNRL-PEDCO-000-ST-SP-0001" 28 DAYS CHARACTERISTIC COMPRESSIVE STRENGTH OF LEAN CONCRETE IS 15 MPa (ON CYLINDRICAL SPECIMEN)
 - 5) CONCRETE COVER OVER BARS SHALL BE 75mm FOR FOUNDATION AND 50mm FOR CAST IN-SITU WALLS & PEDESTALS.
 - 6) REINFORCING BARS SHALL BE S400 ACCORDING TO: ISIRI3132 AND INBC9 WITH MINIMUM TENSILE YIELD STRENGTH 400 N/mm²
 - 7) THE FIRST HOOP OF TIE BEAM, COLUMN OR PEDESTAL SHALL BE LOCATED NOT MORE THAN 50mm FROM THE FACE OF FOUNDATION.
 - 8) REINFORCEMENT SHALL BE ADJUSTED LOCALLY TO SUIT THE RECESS OF ANCHOR BOLTS, HOLES AND OTHER EMBEDDED MATERIALS.
 - 9) UNDERGROUND CONCRETE SHALL BE PROTECTED AND COATED ACCORDING TO RELEVANT SPECIFICATION.
 - 10) PORTLAND CEMENT TYPE 2 SHALL BE USED FOR CONCRETE AND LEAN CONCRETE.
 - 11) FILL MATERIAL SHALL BE COMPACTED TO NOT LESS THAN 95% OF THE MAXIMUM DENSITY AS DETERMINED BY ASTM D-1557 (MODIFIED PROCTOR) METHOD.
 - 12) FILL MATERIAL SHALL BE COMPACTED TO NOT LESS THAN 95% OF THE MAXIMUM DENSITY AS DETERMINED BY ASTM D-1557 (MODIFIED PROCTOR) METHOD.
 - 13) THE EMULSION SHOULD BE USED ON CONCRETE EXPOSED WITH SOIL.
B-90-COAT.M.E IS A BITUMEN-BASED ONE-COMPONENT EMULSION PROTECTIVE COATING TO PREVENT THE PENETRATION OF DESTRUCTIVE SALTS & IONS. THIS MATERIAL IS CONTROLLED ACCORDING TO THE FOLLOWING STANDARDS:
ASTM D1227, ASTM D2939, ASTM D1640

±0.00 = +11.10(F.G.L.)MSL

LEGEND

F.G.L. : FINISH GROUND LEVEL		REINFORCED CONCRETE
T.O.G. : TOP OF GROUT		LEAN CONCRETE
T.O.F. : TOP OF FOUNDATION		GROUND
B.O.B. : BOTTOM OF BASEPLATE		
T.O.B. : TOP OF BEAM		
T.O.TE : TOP OF TIE BEAM		
T.O.PED. : TOP OF PEDESTAL		
C.O.ST. : CENTER OF STRUT		

REFERENCE DRAWING	DRG. No.
CALCULATION REPORT FOR EXTENSION ELECT. BUILDING	BK-GCS-PEDCO-120-ST-CN-0005
STRUCTURAL DRAWING FOR EXTENSION OF EXISTING	BK-GCS-PEDCO-120-ST-DW-0064
ARCHITECTURAL DETAIL DRAWING FOR EXTENSION OF EXISTING	BK-GCS-PEDCO-120-AR-DW-0002
ELECT. BUILDING	
STANDARD DRAWING FOR ANCHOR BOLTS	BK-GNRL-PEDCO-000-ST-DW-0002
GENERAL NOTES-STEEL STRUCTURES	BK-GNRL-PEDCO-000-ST-DW-0011
GENERAL NOTES-REINFORCED CONCRETE STRUCTURES	BK-GNRL-PEDCO-000-ST-DW-0012
SPECIFICATION FOR FABRICATION OF STEEL STRUCTURES	BK-GNRL-PEDCO-000-ST-SP-0005
SPECIFICATION FOR ERECTION OF STEEL STRUCTURES	BK-GNRL-PEDCO-000-ST-SP-0006
SPECIFICATION FOR FABRICATION OF STEEL STRUCTURES	BK-GNRL-PEDCO-000-ST-SP-0003
SPECIFICATION FOR STEEL STRUCTURAL WORK	BK-GNRL-PEDCO-000-ST-SP-0008
UNIT PLOT PLAN DRAWING	BK-GCS-PEDCO-120-PL-PY-0001
GEOTECHNICAL INVESTIGATION REPORT FOR COMPRESSOR STATION	BK-GCS-PEDCO-120-GT-RT-0001
SPECIFICATION FOR GROUTING	BK-GNRL-PEDCO-000-ST-SP-0004
SPECIFICATION FOR PAINTING	BK-GNRL-PEDCO-000-PI-SP-0006



REV.	DESCRIPTION	BY	DATE	BY	DATE	
D01	APR.2024	IFC	R.BERLOUJE	M.FAKHARIAN	S.FARAMARZPOUR	** **
D00	AUG.2022	IFC	R.BERLOUJE	M.FAKHARIAN	M.MEHRSHAD	** **
REV.	DATE	P.O.I.S	PREP.	CHK.	APP.	AUT.

PROJECT NAME: BINAK OILFIELD DEVELOPMENT/SURFACE FACILITIES GAS COMPRESSOR STATION

PROJECT NO.: 971020

EPC CONTRACTOR: HIRGAN ENERGY - DESIGN & INSPECTION COMPANIES

EPD/EPC CONTRACTOR (GC): PETROIRAN DEVELOPMENT COMPANY

DRAWING TITLE: FOUNDATION DRAWING FOR EXTENSION OF EXISTING ELECT. BUILDING

SCALE: A1

DRAWING NO.: BK-GCS-PEDCO-120-ST-DW-0063

SHEET NO.: 1 OF 3

REV.: D01

BUDGET REF.: 053-073-9184

LOCATION: F

SIZE: 4

CLASS: Q

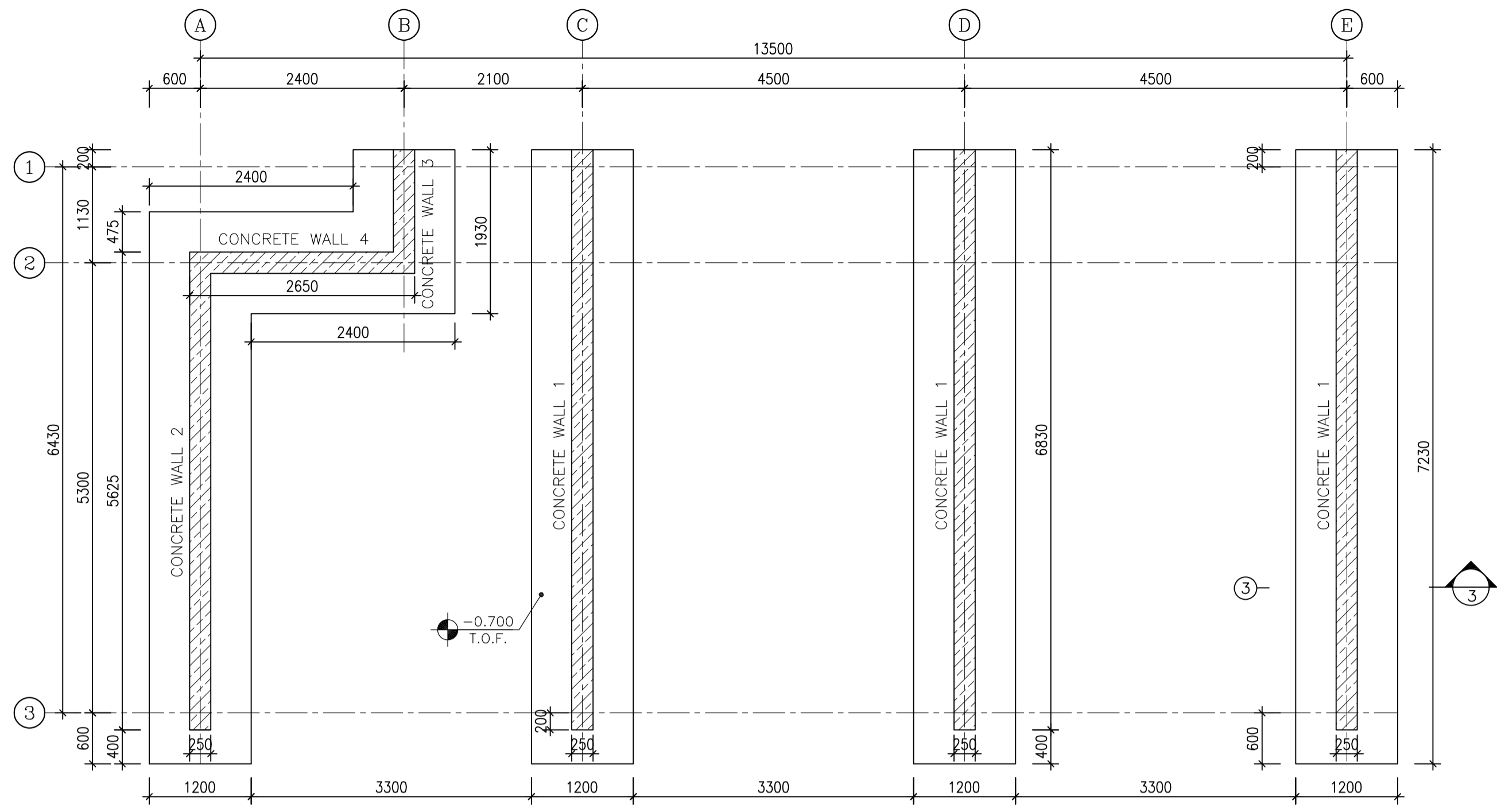
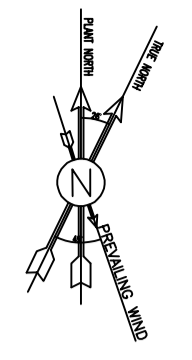
SERIAL NO.: 709200

SHEET: 1

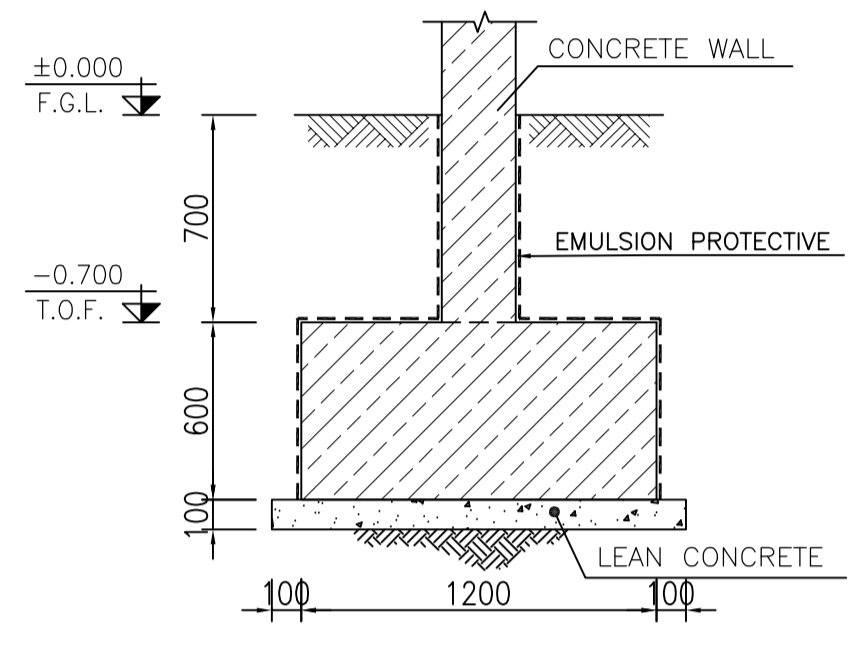
REVISION: D01

NO CONSTRUCTION PERMITTED UNLESS DRAWING APPROVED

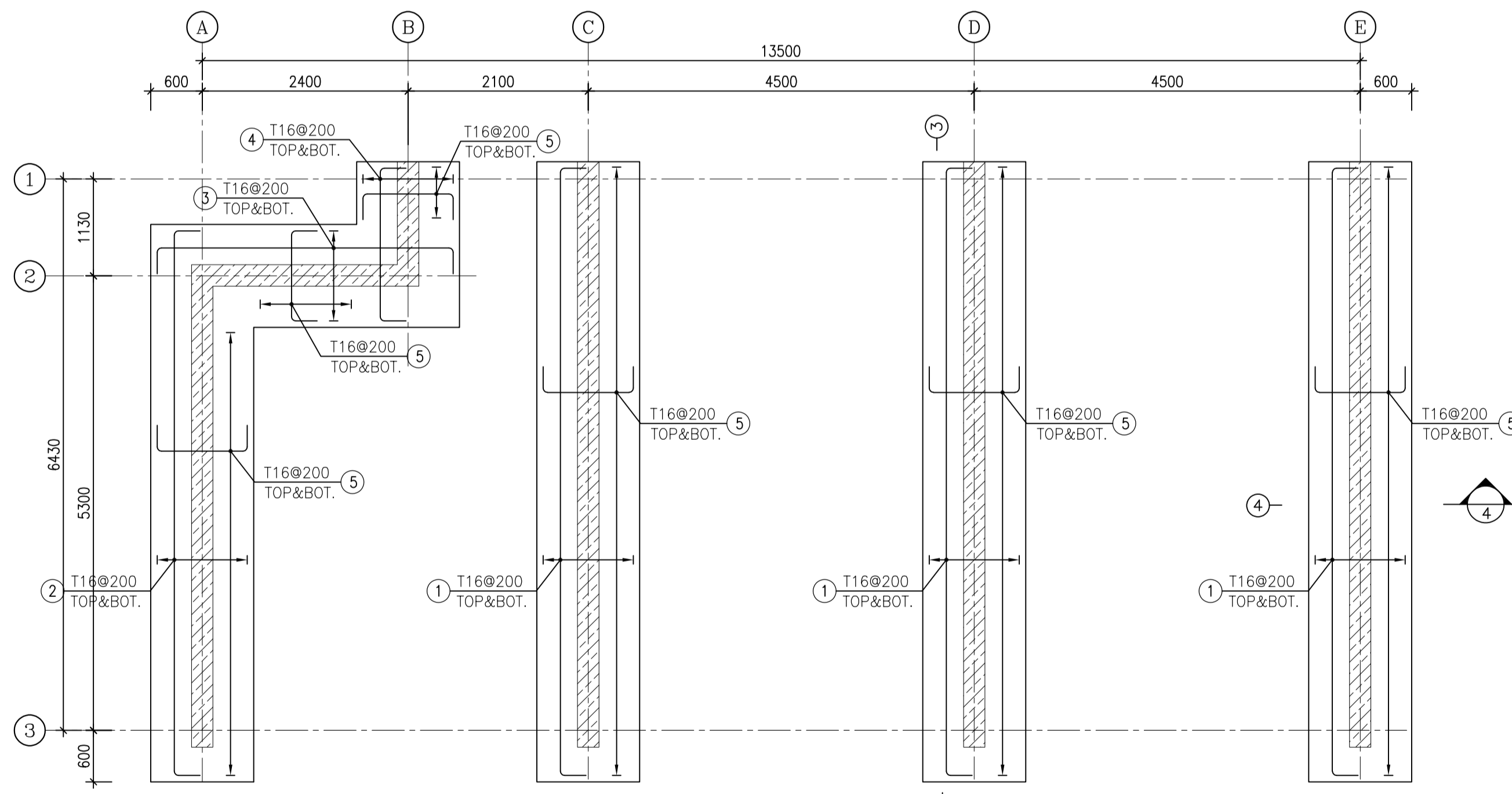
APPROVED FOR CONSTRUCTION BY: DATE:



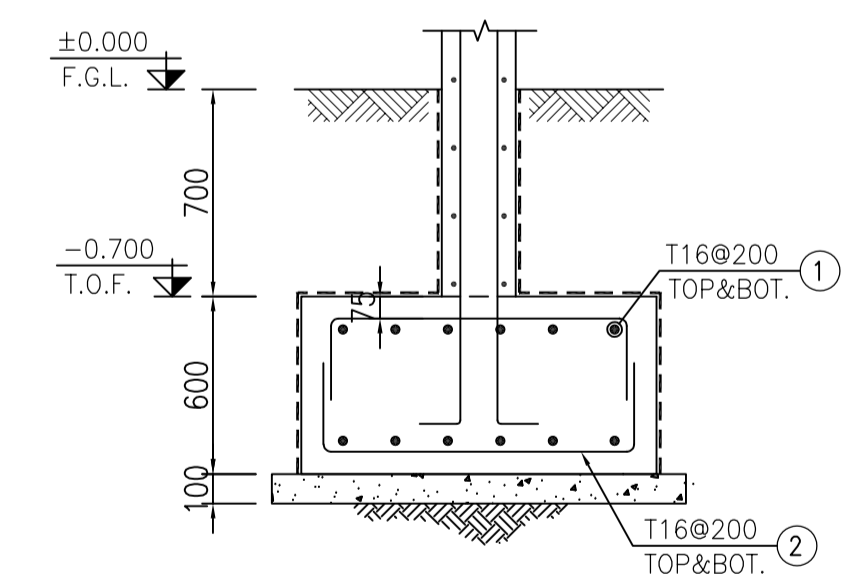
FOUNDATION FORMWORK PLAN
1:50



FORMWORK
1:25



FOUNDATION REINFORCEMENT PLAN
1:50



REINFORCEMENT
1:25

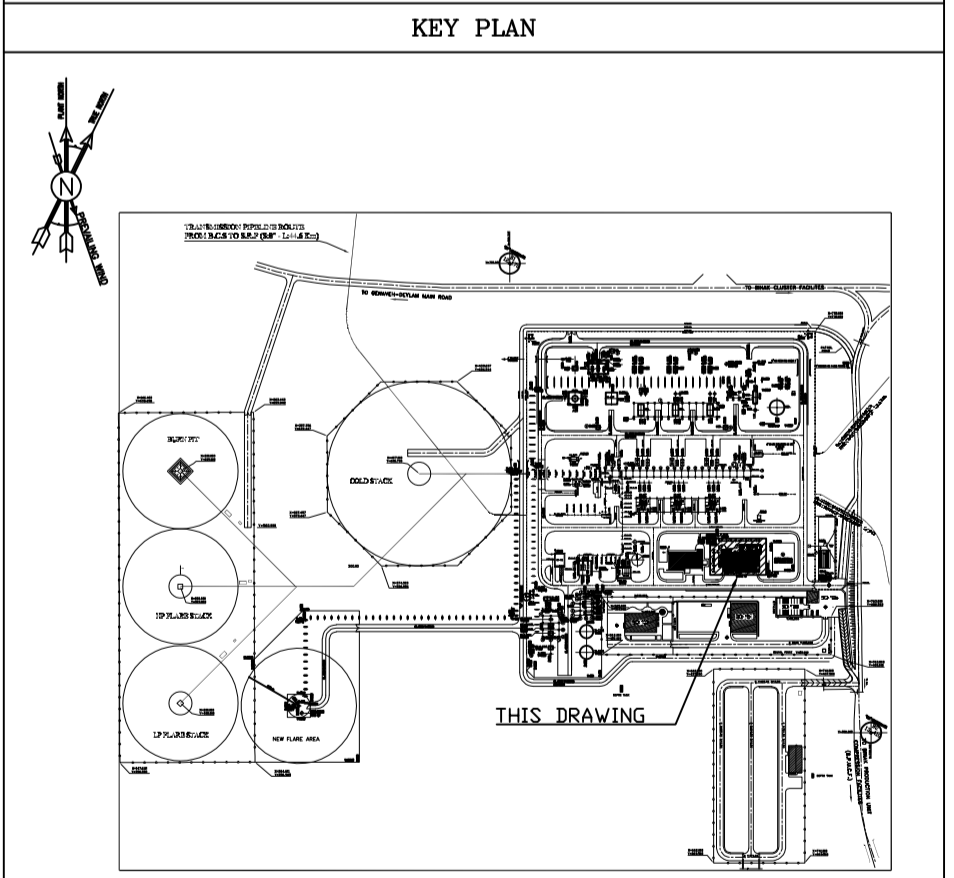
- NOTES**
- 1) ALL ELEVATIONS AND COORDINATES ARE IN "m" AND DIMENSIONS ARE IN "mm" UNLESS OTHERWISE NOTED.
 - 2) ALL DIMENSIONS AND ELEVATIONS SHALL BE CHECKED BY THE CONTRACTOR PRIOR TO CONSTRUCTION.
 - 3) ACCORDING TO THE SPECIFICATION OF CONCRETE WORKS:
"BK-GNRL-PEDCO-000-ST-SP-0001" 28 DAYS CHARACTERISTIC COMPRESSIVE STRENGTH OF MAIN CONCRETE IS 30 MPa (ON CYLINDRICAL SPECIMEN)
 - 4) ACCORDING TO THE SPECIFICATION OF CONCRETE WORKS:
"BK-GNRL-PEDCO-000-ST-SP-0001" 28 DAYS CHARACTERISTIC COMPRESSIVE STRENGTH OF LEAN CONCRETE IS 15 MPa (ON CYLINDRICAL SPECIMEN)
 - 5) CONCRETE COVER OVER BARS SHALL BE 75mm FOR FOUNDATION AND 50mm FOR CAST IN-SITU WALLS & PEDESTALS.
 - 6) REINFORCING BARS SHALL BE S400 ACCORDING TO: ISIRI3132 AND INBC9 WITH MINIMUM TENSILE YIELD STRENGTH 400 N/mm²
 - 7) THE FIRST HOOP OF THE BEAM, COLUMN OR PEDESTAL SHALL BE LOCATED NOT MORE THAN 50mm FROM THE FACE OF FOUNDATION.
 - 8) REINFORCEMENT SHALL BE ADJUSTED LOCALLY TO SUIT THE RECESS OF ANCHOR BOLTS, HOLES AND OTHER EMBEDDED MATERIALS.
 - 9) UNDERGROUND CONCRETE SHALL BE PROTECTED AND COATED ACCORDING TO RELEVANT SPECIFICATION.
 - 10) PORTLAND CEMENT TYPE 2 SHALL BE USED FOR CONCRETE AND LEAN CONCRETE.
 - 11) FILL MATERIAL SHALL BE COMPACTED TO NOT LESS THAN 95% OF THE MAXIMUM DENSITY AS DETERMINED BY ASTM D-1557 (MODIFIED PROCTOR) METHOD.
 - 12) FILL MATERIAL SHALL BE COMPACTED TO NOT LESS THAN 95% OF THE MAXIMUM DENSITY AS DETERMINED BY ASTM D-1557 (MODIFIED PROCTOR) METHOD.
 - 13) THE EMULSION SHOULD BE USED ON CONCRETE EXPOSED WITH SOIL.
B-90-COAT.M.E IS A BITUMEN-BASED ONE-COMPONENT EMULSION PROTECTIVE COATING TO PREVENT THE PENETRATION OF DESTRUCTIVE SALTS & IONS.
THIS MATERIAL IS CONTROLLED ACCORDING TO THE FOLLOWING STANDARDS:
ASTM D1227, ASTM D2939, ASTM D1640

±0.00 = +11.10(F.G.L.)MSL

LEGEND

F.G.L. : FINISH GROUND LEVEL		REINFORCED CONCRETE
T.O.G. : TOP OF GROUT		LEAN CONCRETE
T.O.F. : TOP OF FOUNDATION		GROUND
B.O.B. : BOTTOM OF BASEPLATE		
T.O.B. : TOP OF BEAM		
T.O.TE : TOP OF THE BEAM		
T.O.PED. : TOP OF PEDESTAL		
C.O.ST. : CENTER OF STRUT		

REFERENCE DRAWING	DRG. No.
CALCULATION REPORT FOR EXTENSION ELEC. BUILDING	BK-GCS-PEDCO-120-ST-CN-0005
STRUCTURAL DRAWING FOR EXTENSION OF EXISTING	BK-GCS-PEDCO-120-ST-DW-0004
ARCHITECTURAL DETAIL DRAWING FOR EXTENSION OF EXISTING ELEC. BUILDING	BK-GCS-PEDCO-120-AR-DW-0002
STANDARD DRAWING FOR ANCHOR BOLTS	BK-GNRL-PEDCO-000-ST-DW-0002
GENERAL NOTES-STEEL STRUCTURES	BK-GNRL-PEDCO-000-ST-DW-0011
GENERAL NOTES-REINFORCED CONCRETE STRUCTURES	BK-GNRL-PEDCO-000-ST-DW-0012
SPECIFICATION FOR ERECTION OF STEEL STRUCTURES	BK-GNRL-PEDCO-000-ST-SP-0005
SPECIFICATION FOR FABRICATION OF STEEL STRUCTURES	BK-GNRL-PEDCO-000-ST-SP-0003
SPECIFICATION FOR STEEL STRUCTURAL WORK	BK-GNRL-PEDCO-000-ST-SP-0008
UNIT PLOT PLAN DRAWING	BK-GCS-PEDCO-120-PL-PY-0001
GEO TECHNICAL INVESTIGATION REPORT FOR COMPRESSOR STATION	BK-GCS-PEDCO-120-GT-RT-0001
SPECIFICATION FOR GROUTING	BK-GNRL-PEDCO-000-ST-SP-0004
SPECIFICATION FOR PAINTING	BK-GNRL-PEDCO-000-PI-SP-0006



REV.	DATE	P.O.I.S	PREP.	CHK.	APP.	AUT.	DESCRIPTION	BY	DATE	BY	DATE
D01	APR.2024	IFC	R.BERLOUJE	M.FAKHARIAN	S.FARAMARZPOUR	**	DESCRIPTION				
D00	AUG.2022	IFC	R.BERLOUJE	M.FAKHARIAN	M.MEHRSHAD	**	CHECKED				
REV.	DATE	P.O.I.S	PREP.	CHK.	APP.	AUT.	REV.	BY	DATE	BY	DATE

PROJECT NAME: BINAK OILFIELD DEVELOPMENT/SURFACE FACILITIES GAS COMPRESSOR STATION

PROJECT NO.: 971020

EPC CONTRACTOR: HIRGAN ENERGY - DESIGN & INSPECTION COMPANIES

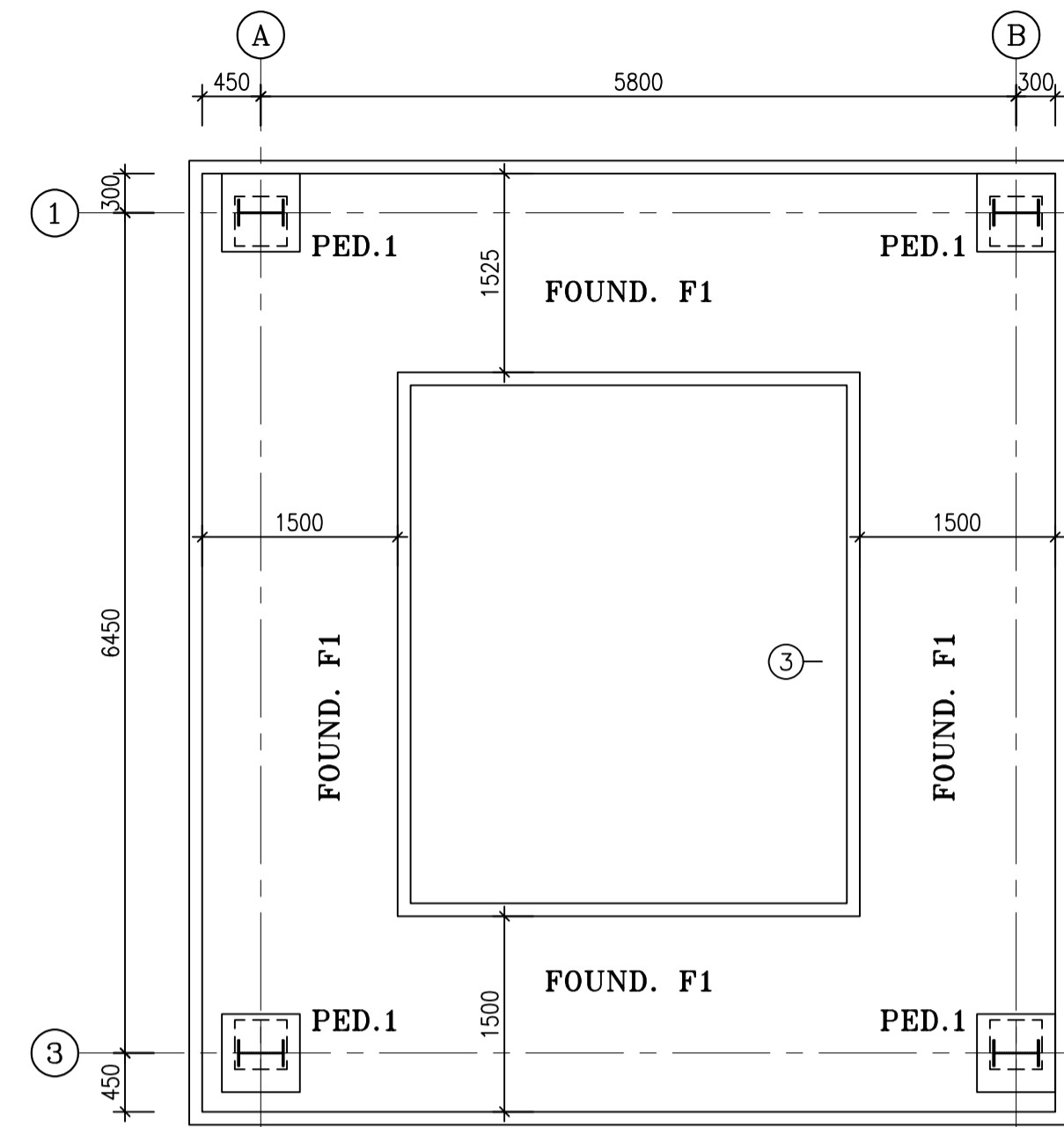
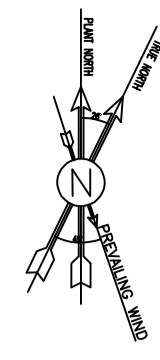
EPD/EPC CONTRACTOR (GC): PETROIRAN DEVELOPMENT COMPANY

DRAWING TITLE: FOUNDATION DRAWING FOR EXTENSION OF EXISTING ELEC. BUILDING

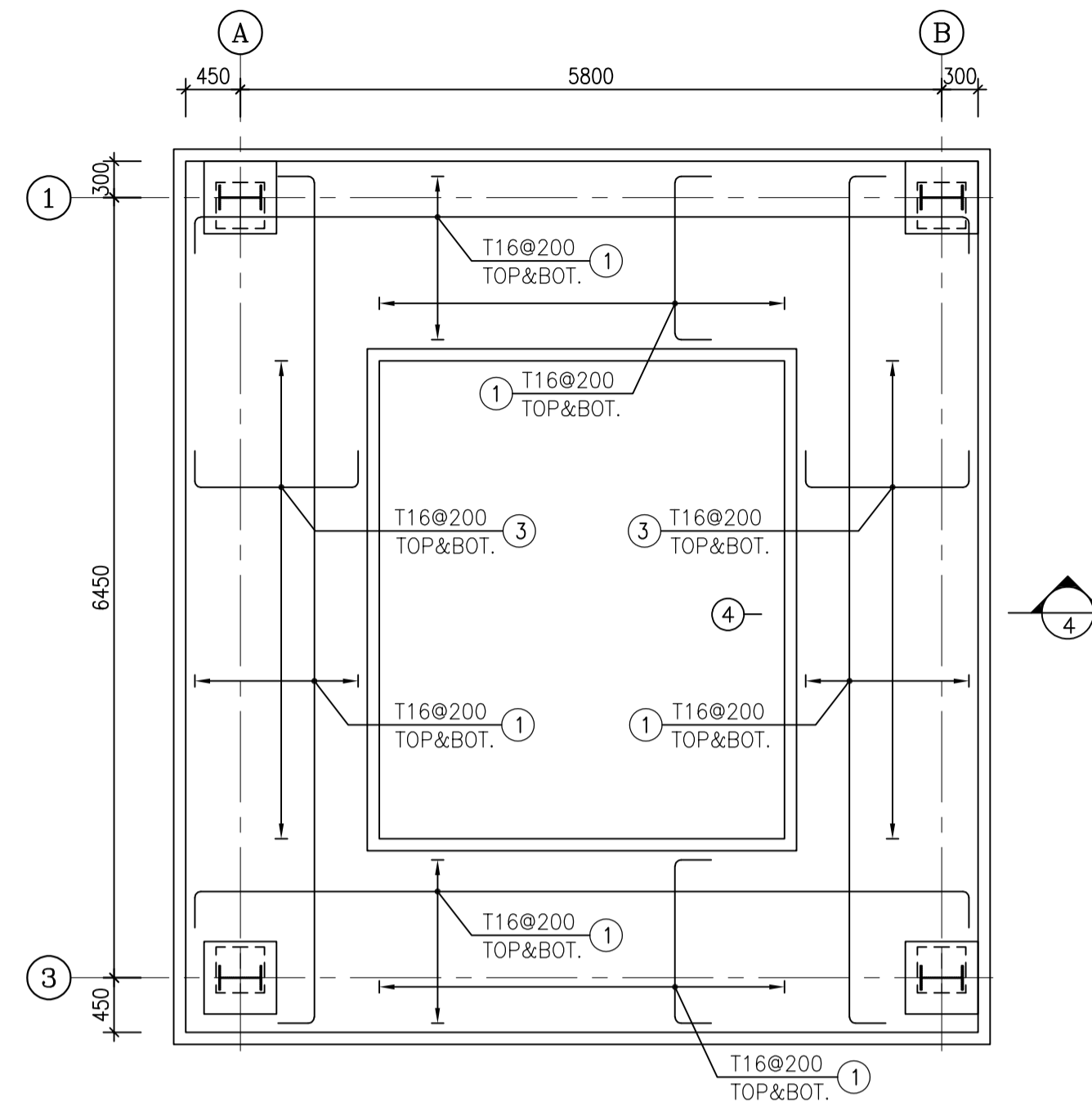
NO CONSTRUCTION PERMITTED UNLESS DRAWING APPROVED

APPROVED FOR CONSTRUCTION BY: DATE:

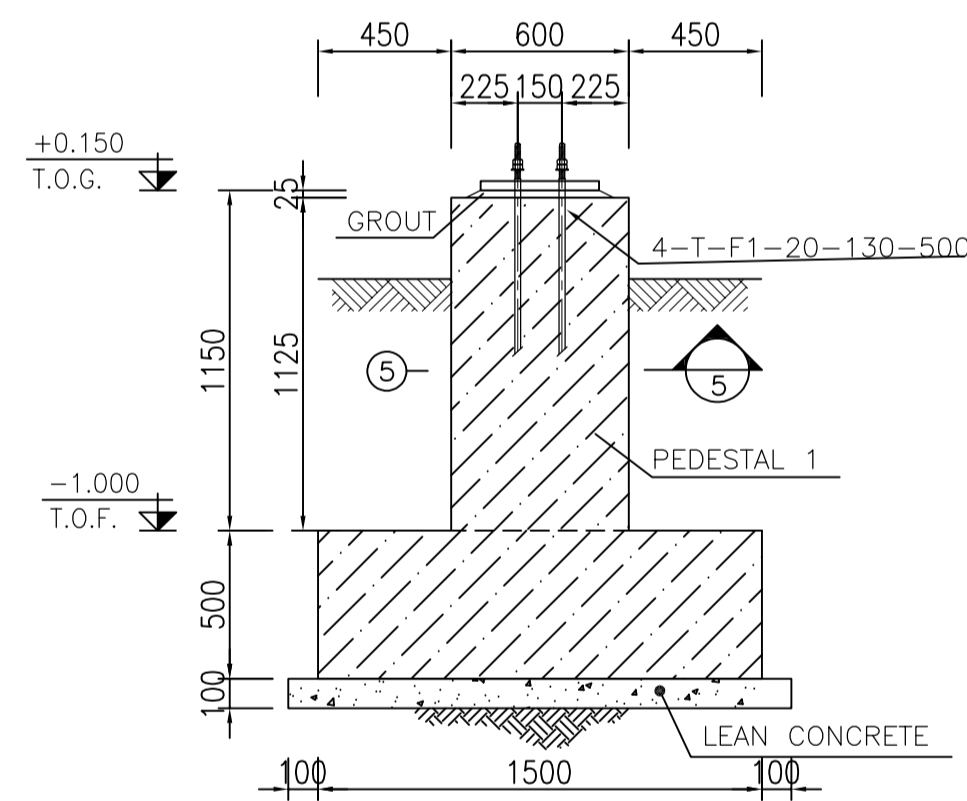
SCALE	SIZE	DRAWING NO.	SHEET NO.	REV.	BUDGET REF.	LOCATION	SIZE	CLASS	SERIAL NO.	SHEET	REVISION
AS SHOWN	A1	BK-GCS-PEDCO-120-ST-DW-0063	2 OF 3	D01	053-073-9184	F	4	Q	709200	2	D01



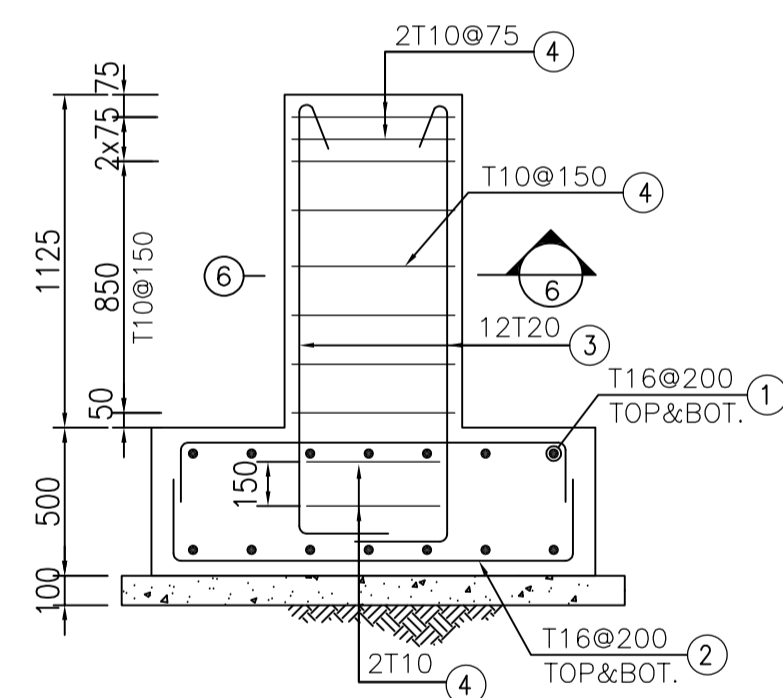
FOUNDATION FORMWORK PLAN
1:50



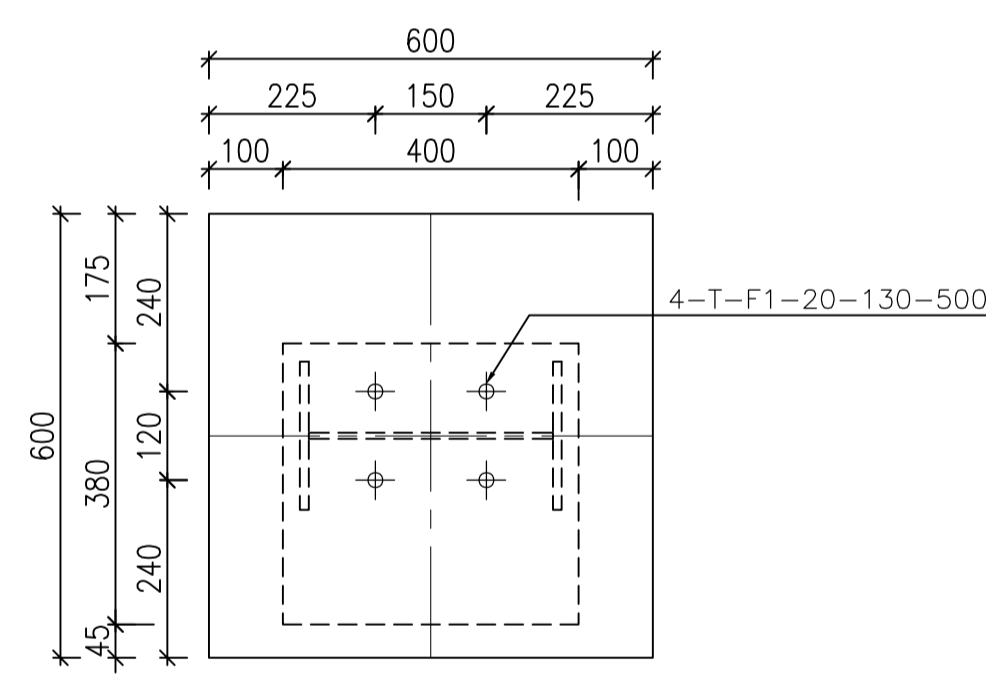
FOUNDATION REINFORCEMENT PLAN
1:50



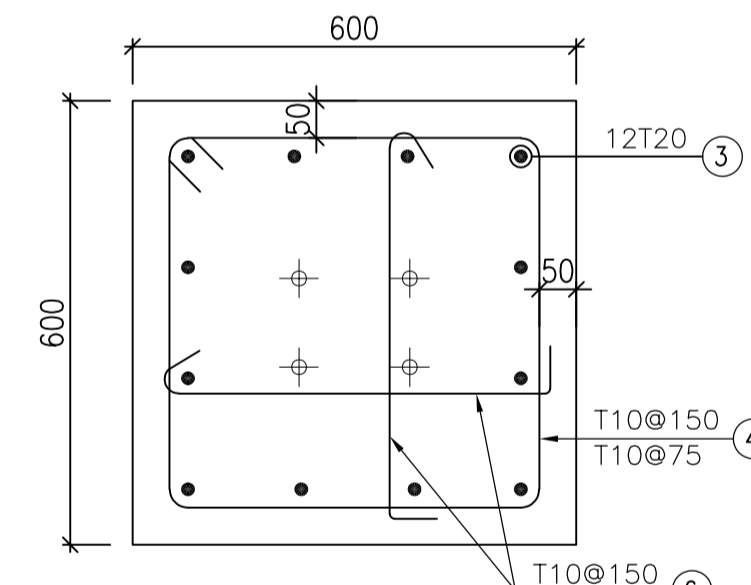
TYPICAL SEC. OF FOUND. F1
FORMWORK
1:25



TYPICAL SEC. OF FOUND. F1
REINFORCEMENT
1:25



PEDESTAL 1
FORMWORK
1:10



PEDESTAL 1
REINFORCEMENT
1:10

- NOTES**
- 1) ALL ELEVATIONS AND COORDINATES ARE IN "m" AND DIMENSIONS ARE IN "mm" UNLESS OTHERWISE NOTED.
 - 2) ALL DIMENSIONS AND ELEVATIONS SHALL BE CHECKED BY THE CONTRACTOR PRIOR TO CONSTRUCTION.
 - 3) ACCORDING TO THE SPECIFICATION OF CONCRETE WORKS:
"BK-GNR-PEDCO-000-ST-SP-0001" 28 DAYS CHARACTERISTIC COMPRESSIVE STRENGTH OF MAIN CONCRETE IS 30 MPa (ON CYLINDRICAL SPECIMEN)
 - 4) ACCORDING TO THE SPECIFICATION OF CONCRETE WORKS:
"BK-GNR-PEDCO-000-ST-SP-0001" 28 DAYS CHARACTERISTIC COMPRESSIVE STRENGTH OF LEAN CONCRETE IS 15 MPa (ON CYLINDRICAL SPECIMEN)
 - 5) CONCRETE COVER OVER BARS SHALL BE 75mm FOR FOUNDATION AND 50mm FOR CAST IN-SITU WALLS & PEDESTALS.
 - 6) REINFORCING BARS SHALL BE S400 ACCORDING TO: ISIRI3132 AND INBC9 WITH MINIMUM TENSILE YIELD STRENGTH 400 N/mm²
 - 7) THE FIRST HOOP OF TIE BEAM, COLUMN OR PEDESTAL SHALL BE LOCATED NOT MORE THAN 50mm FROM THE FACE OF FOUNDATION.
 - 8) REINFORCEMENT SHALL BE ADJUSTED LOCALLY TO SUIT THE RECESS OF ANCHOR BOLTS, HOLES AND OTHER EMBEDDED MATERIALS.
 - 9) UNDERGROUND CONCRETE SHALL BE PROTECTED AND COATED ACCORDING TO RELEVANT SPECIFICATION.
 - 10) PORTLAND CEMENT TYPE 2 SHALL BE USED FOR CONCRETE AND LEAN CONCRETE.
 - 11) FILL MATERIAL SHALL BE COMPACTED TO NOT LESS THAN 95% OF THE MAXIMUM DENSITY AS DETERMINED BY ASTM D-1557 (MODIFIED PROCTOR) METHOD.
 - 12) FILL MATERIAL SHALL BE COMPACTED TO NOT LESS THAN 95% OF THE MAXIMUM DENSITY AS DETERMINED BY ASTM D-1557 (MODIFIED PROCTOR) METHOD.
 - 13) THE EMULSION SHOULD BE USED ON CONCRETE EXPOSED WITH SOIL.
B-90-COAT.M.E IS A BITUMEN-BASED ONE-COMPONENT EMULSION PROTECTIVE COATING TO PREVENT THE PENETRATION OF DESTRUCTIVE SALTS & IONS.
THIS MATERIAL IS CONTROLLED ACCORDING TO THE FOLLOWING STANDARDS:
ASTM D1227, ASTM D2939, ASTM D1640

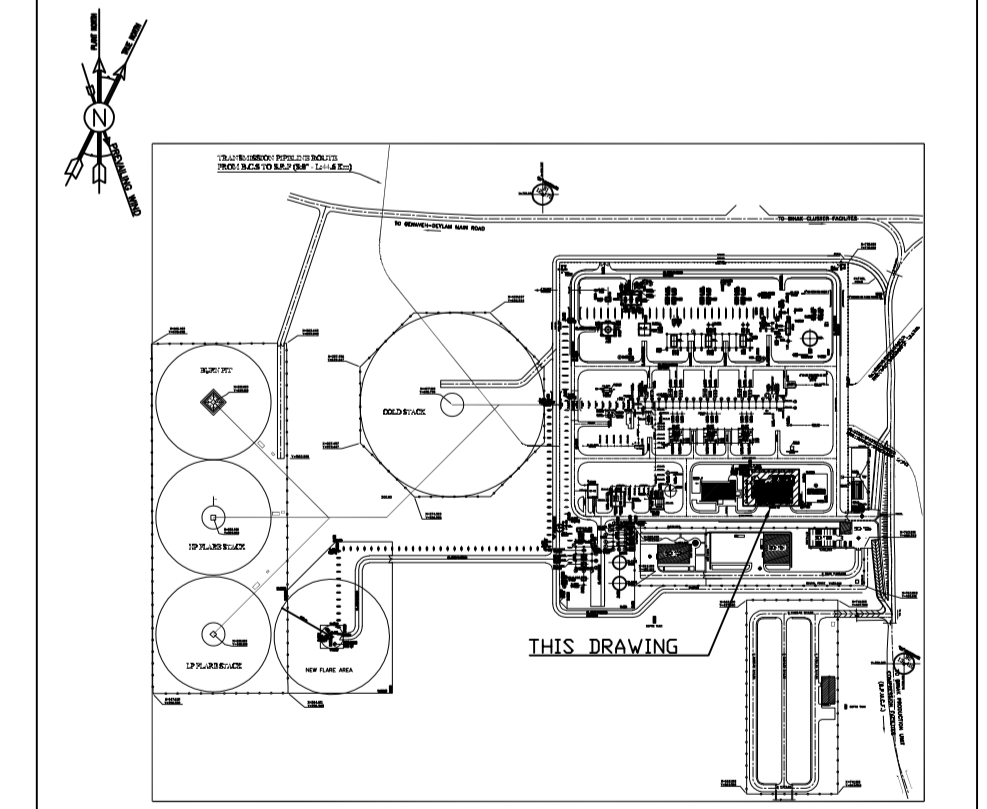
±0.00 = +11.10(F.G.L.)MSL

LEGEND

- | | | |
|------------------------------|--|---------------------|
| F.G.L. : FINISH GROUND LEVEL | | REINFORCED CONCRETE |
| T.O.G. : TOP OF GROUT | | LEAN CONCRETE |
| T.O.F. : TOP OF FOUNDATION | | GROUND |
| B.O.B. : BOTTOM OF BASEPLATE | | |
| T.O.B. : TOP OF BEAM | | |
| T.O.TE : TOP OF TIE BEAM | | |
| T.O.PED. : TOP OF PEDESTAL | | |
| C.O.ST. : CENTER OF STRUT | | |

REFERENCE DRAWING	DRG. No.
CALCULATION REPORT FOR EXTENSION ELECT. BUILDING	BK-GCS-PEDCO-120-ST-CN-0005
STRUCTURAL DRAWING FOR EXTENSION OF EXISTING	BK-GCS-PEDCO-120-ST-DW-0004
ARCHITECTURAL DETAIL DRAWING FOR EXTENSION OF EXISTING ELECT. BUILDING	BK-GCS-PEDCO-120-AR-DW-0002
STANDARD DRAWING FOR ANCHOR BOLTS	BK-GNRAL-PEDCO-000-ST-DW-0002
GENERAL NOTES-STEEL STRUCTURES	BK-GNRAL-PEDCO-000-ST-DW-0011
GENERAL NOTES-REINFORCED CONCRETE STRUCTURES	BK-GNRAL-PEDCO-000-ST-DW-0012
SPECIFICATION FOR ERECTION OF STEEL STRUCTURES	BK-GNRAL-PEDCO-000-ST-SP-0005
SPECIFICATION FOR FABRICATION OF STEEL STRUCTURES	BK-GNRAL-PEDCO-000-ST-SP-0003
SPECIFICATION FOR STEEL STRUCTURAL WORK	BK-GNRAL-PEDCO-000-ST-SP-0008
UNIT PLOT PLAN DRAWING	BK-GCS-PEDCO-120-PL-PY-0001
GEO TECHNICAL INVESTIGATION REPORT FOR COMPRESSOR STATION	BK-GCS-PEDCO-120-GT-RT-0001
SPECIFICATION FOR GROUTING	BK-GNRAL-PEDCO-000-ST-SP-0004
SPECIFICATION FOR PAINTING	BK-GNRAL-PEDCO-000-PI-SP-0006

KEY PLAN



REV.	DATE	DESCRIPTION	BY	DATE	REV.	DATE	DESCRIPTION	BY	DATE
D01	APR.2024	IFC	R.BERLOUJE	M.FAKHARIAN	S.FARAMARZPOUR	**	**	**	**
D00	AUG.2022	IFC	R.BERLOUJE	M.FAKHARIAN	M.MEHRSHAD	**	**	**	**

PROJECT NAME: BINAK OILFIELD DEVELOPMENT/SURFACE FACILITIES GAS COMPRESSOR STATION
PROJECT NO.: 971020
EPC CONTRACTOR: HIRGAN ENERGY - DESIGN & INSPECTION COMPANIES
EPD/EPC CONTRACTOR (GC): PETROIRAN DEVELOPMENT COMPANY

DRAWING TITLE: FOUNDATION DRAWING FOR EXTENSION OF EXISTING ELECT. BUILDING

NO CONSTRUCTION PERMITTED UNLESS DRAWING APPROVED

DATE	SCALE	DRAWING BY	CHECKED BY	PROJECT ENG.

SCALE	SIZE	DRAWING NO.	SHEET NO.	REV.	BUDGET REF.	LOCATION	SIZE	CLASS	SERIAL NO.	SHEET	REVISION
AS SHOWN	A1	BK-GCS-PEDCO-120-ST-DW-0063	3 OF 3	D01	053-073-9184	F	4	Q	709200	3	D01