

- NOTES**
- 1) ALL DIMENSIONS AND COORDINATES ARE IN "m" UNLESS OTHERWISE NOTED
  - 2) ALL DIMENSIONS AND ELEVATIONS SHALL BE CHECKED BY THE CONTRACTOR PRIOR TO CONSTRUCTION.
  - 3) ACCORDING TO THE SPECIFICATION OF CONCRETE WORKS:  
 "BK-046-REDO-000-01-01-0011" 28 DAYS CHARACTERISTIC COMPRESSIVE STRENGTH OF MAIN CONCRETE IS 30 MPa (CONCRETE SPECIFICATION)  
 "BK-046-REDO-000-01-01-0011" 28 DAYS CHARACTERISTIC COMPRESSIVE STRENGTH OF LEAN CONCRETE IS 15 MPa
  - 4) ACCORDING TO THE SPECIFICATION OF CONCRETE WORKS:  
 "BK-046-REDO-000-01-01-0011" 28 DAYS CHARACTERISTIC COMPRESSIVE STRENGTH OF LEAN CONCRETE IS 15 MPa
  - 5) CONCRETE CURE CURS BARS SHALL BE 7mm FOR FOUNDATION AND 9mm FOR CURS IN-SITU WALLS & ROOFINGS.
  - 6) REINFORCING BARS SHALL BE S400 ACCORDING TO IS:4312 AND MS29 WITH MINIMUM TENSILE YIELD STRENGTH 400 N/mm<sup>2</sup>
  - 7) THE FIRST HOOP OF THE BEAM COLUMN OR PILECAP SHALL BE LOCATED NOT MORE THAN 50mm FROM THE FACE OF FOUNDATION.
  - 8) REINFORCING BARS SHALL BE S400 ACCORDING TO IS:4312 AND MS29 WITH MINIMUM TENSILE YIELD STRENGTH 400 N/mm<sup>2</sup>
  - 9) UNDERGROUND CONCRETE SHALL BE PROTECTED AND COVERED ACCORDING TO RELATED SPECIFICATION.
  - 10) PORTLAND CEMENT TYPE & SHALL BE USED FOR CONCRETE AND LEAN CONCRETE.
  - 11) FILL MATERIAL SHALL BE COMPACTED TO NOT LESS THAN 95% OF THE MAXIMUM DENSITY AS DETERMINED BY ASTM D-1557 (MODIFIED PROCTOR) METHOD.
  - 12) THE EMULSION SHOULD BE USED ON CONCRETE EXPOSED WITH SOIL.
  - 13) B-90-COATME IS A BITUMEN-BASED ONE-COMPONENT EMULSION PROTECTIVE COATING TO PREVENT THE PENETRATION OF DESTRUCTIVE SALTS & IONS. THIS MATERIAL IS CONTROLLED ACCORDING TO THE FOLLOWING STANDARDS:  
 ASTM D1221, ASTM D2399, ASTM D1640
  - 14) EXIST FOUNDATION SHALL BE DESTROYED AT THIS PART DUE TO NEW ARCHITECTURAL PLAN.

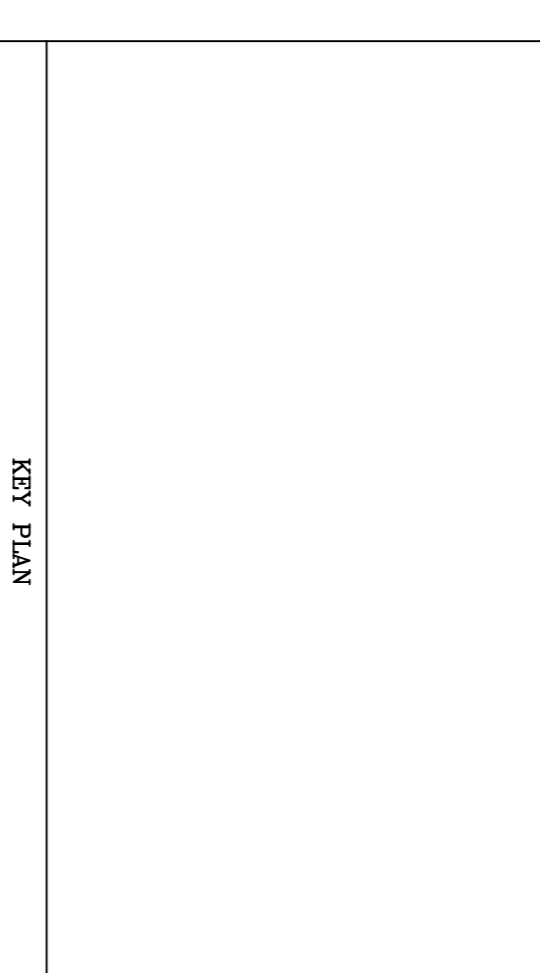
**LEGEND**

±0.00 = +11.10(F.G.L.M.S.L)

F.G.L. : FINISH GROUND LEVEL	REINFORCED CONCRETE
T.O.F. : TOP OF FOUNDATION	LEAN CONCRETE
N.T.S. : NOT TO SCALE	GROUND
C.L. : CONSTRUCTION JOINT	
B.O.O.P. : BOT OF OPENING	

**REFERENCE DRAWING**

STRUCTURAL DRAWING FOR EXTENSION OF EXISTING CONTROL BUILDING	BK-GCS-REDO-120-ST-01W-0082
MECHANICAL DRAWING FOR EXTENSION OF EXISTING CONTROL BUILDING	BK-GCS-REDO-120-ST-01W-0011
ELECTRICAL DRAWING FOR EXTENSION OF EXISTING CONTROL BUILDING	BK-GCS-REDO-120-ST-01W-0010
GENERAL NOTES FOR EXTENSION OF EXISTING CONTROL BUILDING	BK-GCS-REDO-120-ST-01W-0010
GENERAL NOTES-REINFORCED CONCRETE STRUCTURES	BK-GCS-REDO-000-ST-01W-0012
UNIT FLOOR PLAN DRAWING	BK-GCS-REDO-120-ST-01W-0001
GEOTECHNICAL INVESTIGATION REPORT FOR COMPRESSOR STATION	BK-GCS-REDO-120-ST-01W-0001



REV.	DESCRIPTION	BY	DATE	REV.	DATE
***	*****	***	***	***	***
REV.	DESCRIPTION	CHECKED	DATE	REV.	DATE
***	*****	***	***	***	***

PROJECT NO.: 9710180

EPC CONTRACTOR: HIRGAN ENERGY - DESIGN & INSPECTION COMPANIES

EPD/EPC CONTRACTOR (GC): PETROBRAN DEVELOPMENT COMPANY

PROJECT NAME: BINKA OILFIELD DEVELOPMENT/SURFACE FACILITIES GAS COMPRESSOR STATION

DATE: \_\_\_\_\_

SCALE: DRAWING BY \_\_\_\_\_ CHECKED BY \_\_\_\_\_ PROJECT ENG. \_\_\_\_\_

AS SHOWN	AI	BK-GCS-REDO-120-ST-01W-0081	1 OF 2	DOO
----------	----	-----------------------------	--------	-----

NO CONSTRUCTION PERMITTED UNLESS DRAWING APPROVED

APPROVED FOR CONSTRUCTION	BY:	DATE:
BUDGET REF. LOCATION SIZE CLASS	SERIAL NO.	SHEET REVISION
053-073-9184	F 4 Q	7098330 1 DOO

**NOTES**

- 1) ALL DIMENSIONS AND COORDINATES ARE IN "m" UNLESS OTHERWISE NOTED
- 2) ALL DIMENSIONS AND ELEVATIONS SHALL BE CHECKED BY THE CONTRACTOR PRIOR TO CONSTRUCTION.
- 3) ACCORDING TO THE SPECIFICATION OF CONCRETE WORKS:  
 "BK-046-PR000-000-01-00-0001" 28 DAYS CHARACTERISTIC COMPRESSIVE STRENGTH OF MAIN CONCRETE IS 30 MPa (CONCRETE SPECIFICATION)  
 "BK-046-PR000-000-01-00-0002" 28 DAYS CHARACTERISTIC COMPRESSIVE STRENGTH OF LEAN CONCRETE IS 15 MPa
- 4) ACCORDING TO THE SPECIFICATION OF CONCRETE WORKS:  
 "BK-046-PR000-000-01-00-0001" 28 DAYS CHARACTERISTIC COMPRESSIVE STRENGTH OF LEAN CONCRETE IS 15 MPa
- 5) CONCRETE CURE CURS BARS SHALL BE 7mm FOR FOUNDATION AND 9mm FOR CURT M-SITU WALLS & ROOFINGS.
- 6) REINFORCING BARS SHALL BE S420 ACCORDING TO IS:8112 AND MS29 WITH MINIMUM TENSILE YIELD STRENGTH 400 N/mm<sup>2</sup>
- 7) THE FIRST HOOP OF THE BEAM COLUMN OR PILECAP SHALL BE LOCATED NOT MORE THAN 50mm FROM THE FACE OF FOUNDATION.
- 8) REINFORCING BARS SHALL BE "WELDED" TOGETHER TO FORM A SINGLE UNIT TO SUIT THE RECESS OF ANCHOR BOLTS.
- 9) UNDERGROUND CONCRETE SHALL BE PROTECTED AND COVERED ACCORDING TO RELATED SPECIFICATION.
- 10) PORTLAND CEMENT TYPE 2 SHALL BE USED FOR CONCRETE AND LEAN CONCRETE.
- 11) FILL MATERIAL SHALL BE COMPACTED TO NOT LESS THAN 95% OF THE MAXIMUM DENSITY AS DETERMINED BY ASTM D-157 (MODIFIED PROCTOR) METHOD.
- 12) THE EMULSION SHOULD BE USED ON CONCRETE EXPOSED WITH SOIL.
- 13) B-90-COATABLE IS A BITUMEN-BASED ONE-COMPONENT EMULSION PROTECTIVE COATING TO PREVENT THE PENETRATION OF DESTRUCTIVE SALTS & IONS. THIS MATERIAL IS CONTROLLED ACCORDING TO THE FOLLOWING STANDARDS:  
 ASTM D1221, ASTM D2399, ASTM D1640
- 14) EXIST FOUNDATION SHALL BE DESTROYED AT THIS PART DUE TO NEW ARCHITECTURAL PLAN.

±0.00 = +11.10(F.G.L.M.S.L)

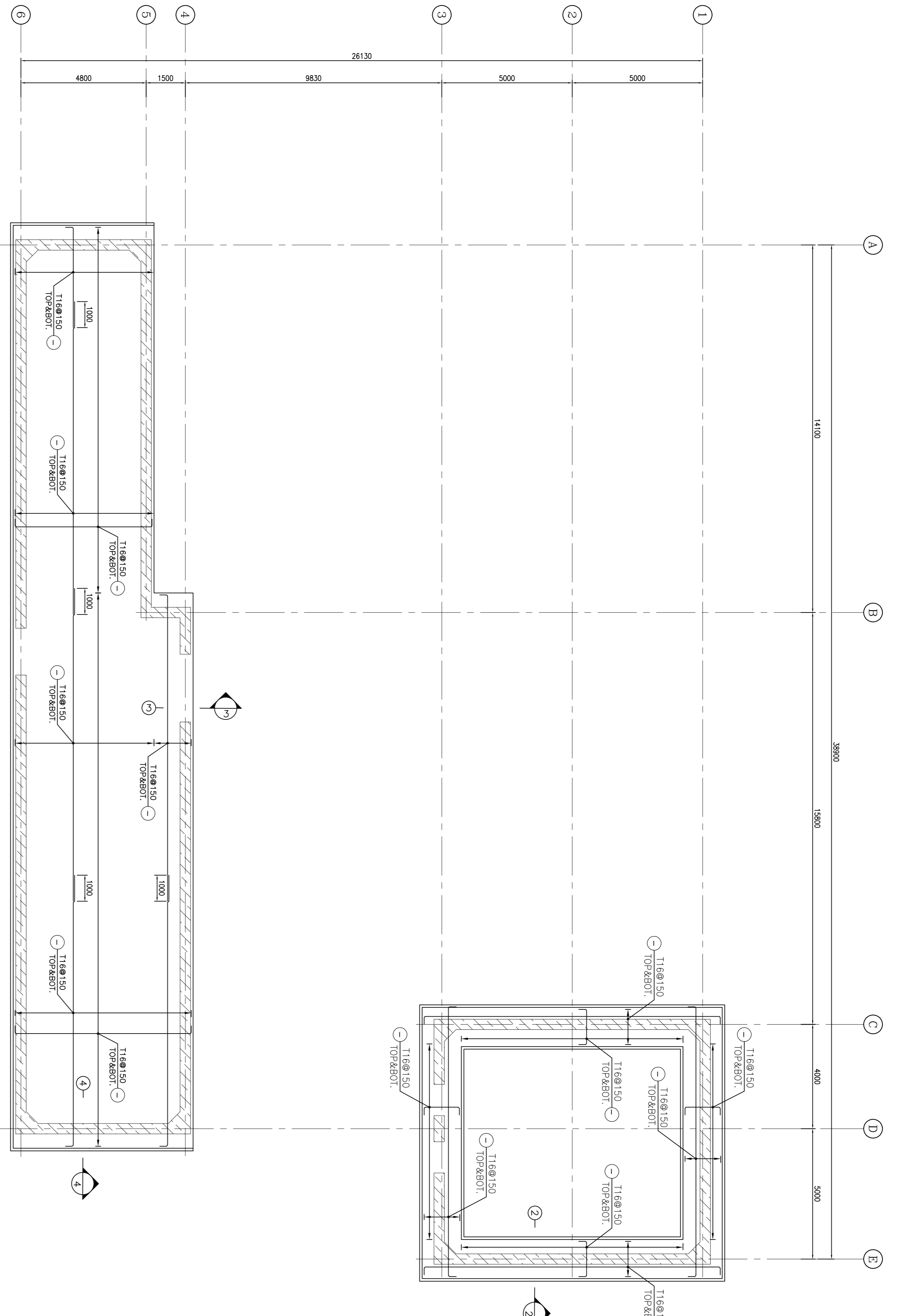
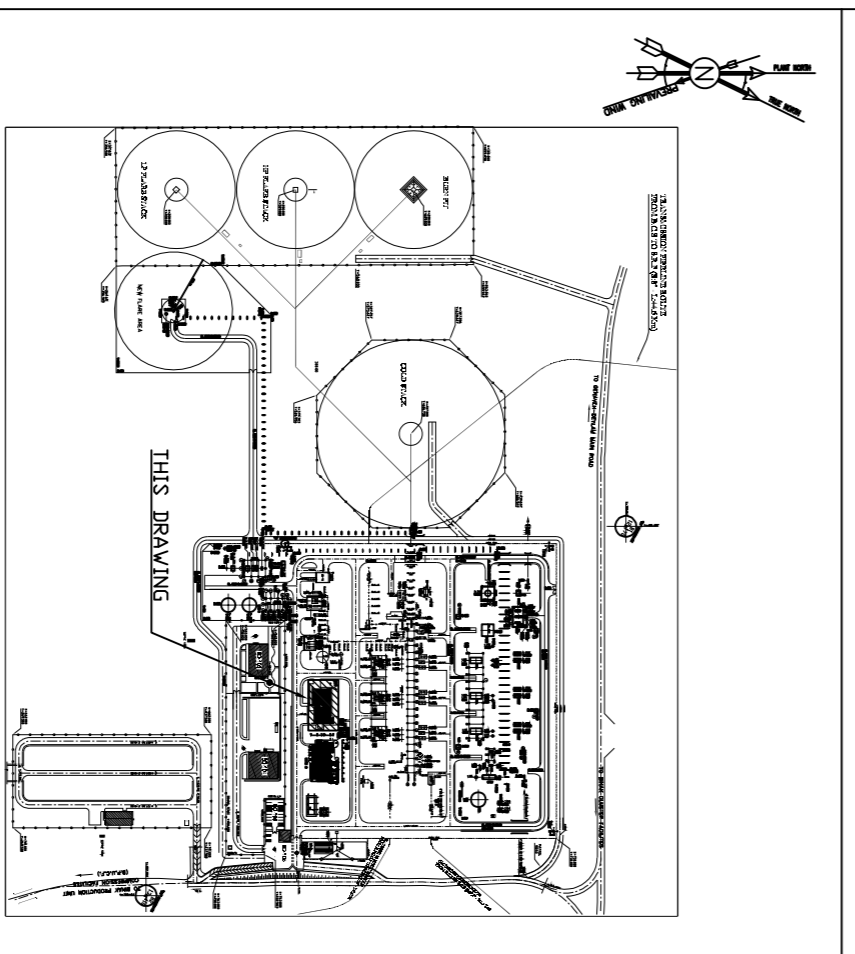
**LEGEND**

- F.G.L : FINISH GROUND LEVEL  
 T.O.F. : TOP OF FOUNDATION  
 N.I.S : NOT TO SCALED  
 C.I. : CONSTRUCTION JOINT  
 B.O.P : BOT OF OPENING
- 

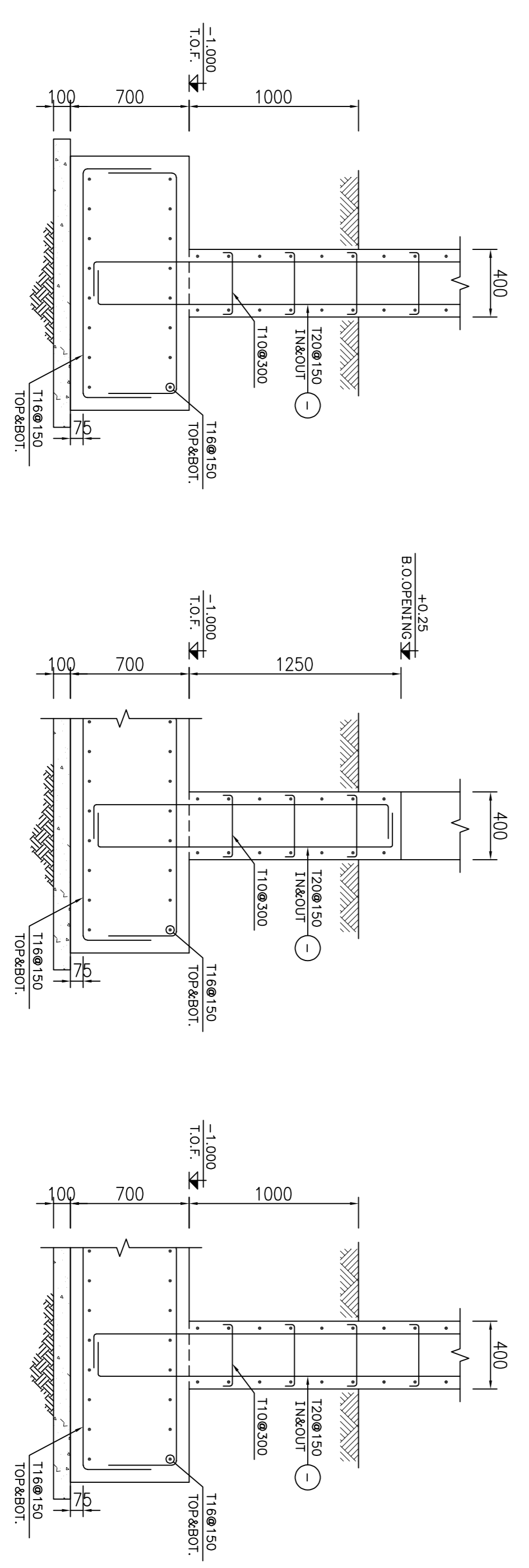
**REFERENCE DRAWING**

Structural Drawing for Extension of Existing Control Building	DRG. No.
Structural Drawing for Extension of Existing Control Building	BK-CSS-PR000-120-ST-01W-002
Calculation Notes for Extension of Existing Control Building	BK-CSS-PR000-120-ST-01W-001
General Notes for Extension of Existing Control Building	BK-CSS-PR000-120-ST-01W-003
General Notes - Reinforced Concrete Structures	BK-CRNL-PR000-000-ST-01W-012
Unit Plot Plan Drawing	BK-CSS-PR000-120-ST-01W-000
Geotechnical Investigation Report for Compressor Station	BK-CSS-PR000-120-ST-01W-001

**KEY PLAN**



1:100 FOUNDATION REINFORCEMENT PLAN



<b>EPC CONTRACTOR:</b> 		<b>EPD/EPC CONTRACTOR (GC):</b> 	
<b>HIRGAN ENERGY - DESIGN &amp; INSPECTION COMPANIES</b>			
<b>FOUNDATION DRAWING FOR EXTENSION OF EXISTING CONTROL BUILDING</b>			
SCALE	SIZE	DRAWING NO.	SHEET NO.
AS SHOWN	A1	BK-GCS-PR000-120-ST-01W-0081	2 OF 2
<b>DRAWING TITLE:</b> FOUNDATION DRAWING FOR EXTENSION OF EXISTING CONTROL BUILDING		<b>REV.</b> D00	<b>REV.</b> D00
<b>PROJECT NAME:</b> BINAK OILFIELD DEVELOPMENT/SURFACE FACILITIES GAS COMPRESSOR STATION		<b>REV.</b> D00	<b>REV.</b> D00
<b>PROJECT NO.:</b> 971020		<b>REV.</b> D00	<b>REV.</b> D00
<b>DATE</b> 04 OCT 2024		<b>REV.</b> D00	<b>REV.</b> D00
<b>BY</b> JPC		<b>REV.</b> D00	<b>REV.</b> D00
<b>CHECKED</b> M. RAHMAN		<b>REV.</b> D00	<b>REV.</b> D00
<b>APP.</b> M. RAHMAN		<b>REV.</b> D00	<b>REV.</b> D00
<b>AUT.</b> ***		<b>REV.</b> D00	<b>REV.</b> D00
NO CONSTRUCTION PERMITTED UNLESS DRAWING APPROVED			
<b>APPROVED FOR CONSTRUCTION</b>		<b>DATE:</b>	
BY:		SERIAL NO.	
BUDGET REF. LOCATION SIZE CLASS		SHEET REVISION	
053-073-9184 F 4 Q		7096320 2	