

- NOTES**
- 1- ALL COORDINATES ARE IN METER.
 - 2- ALL DIMENSIONS ARE IN MILLIMETERS AND ELEVATIONS ARE IN METER.
 - 3- ALL DRAWINGS SHALL BE CHECKED BY CONTRACTOR WITH RELATIVE DRAWINGS BEFORE CONSTRUCTION.
 - 4- ACCORDING TO THE SPECIFICATION OF CONCRETE WORKS: "BK-GNRL-PEDCO-000-ST-SP-0001", 28 DAYS CHARACTERISTIC COMPRESSIVE STRENGTH OF MAIN CONCRETE IS 25 MPa (ON CYLINDRICAL SPECIMEN)
 - 5- ACCORDING TO THE SPECIFICATION OF CONCRETE WORKS: "BK-GNRL-PEDCO-000-ST-SP-0001", 28 DAYS CHARACTERISTIC COMPRESSIVE STRENGTH OF LEAN CONCRETE IS 15 MPa (ON CYLINDRICAL SPECIMEN)
 - 6- REINFORCING BARS SHALL BE S400 ACCORDING TO: ISIRI3132 AND INBC9 WITH MINIMUM TENSILE YIELD STRENGTH 400 N/mm²
 - 7- MINIMUM FOUNDATION NET CONCRETE COVER SHALL BE 75 mm.
 - 8- SPECIFICATIONS OF THERMO PLAST ACRYLIC COLOR, BASED ON No.3758 NATIONAL STANDARD CODE:
DENSITY : 4.1-5.1 gr/cm³
THICKNESS : 300-400 MICRON
GLOSS : DULL
SOLID MATERIAL PERCENTAGE BY WEIGHT : 75%±2
SOLID MATERIAL PERCENTAGE BY VOLUME : 48%±2
 - 9- JOINT SEALANT MATERIALS SHALL BE WETHER-RESISTANT POLYURETHANE OR SILICONE SCH AS "AEROLASTIC 1674" OR SIMILAR AND SHALL CONFORM TO BS-4254 FOR VERTICAL JOINTS IN WALLS. THE FILLING MATERIAL MUST BE APPROVED BY THE WORKSHOP SUPERVISION
 - 10- CONTRACTION JOINTS SHALL BE CONSIDERED IN CONCRETE SLABS EVERY 6m.
 - 11- GEODETIC PARAMETERS FOR COORDINATES ARE AS BELOW:
HORIZONTAL COORDINATE SYSTEM: WGS84/UTM ZONE 39
ELLIPSOID : WORLD GEODETIC SYSTEM 1984 (WGS84)
MAP PROJECTION: UNIVERSAL TRANSVERSE MERCATOR (UTM)
VERTICAL DATUM: MSL
 - 12- ACCORDING TO THE GEOTECHNICAL REPORT SHOULD BE USED OF CEMENT TYPE 2.
 13. JOINT FILLER SHALL BE ELASTIC MATERIAL.
POLY ETHYLENE SHEETS OR CORK PARTICLES OR EQUIVALENT MATERIALS CAN BE USED
 14. JOINT SEALANTS SHALL BE FOLLOWED ASTM D2499.
 15. REFER TO THE PLOT PLAN FOR LOCATED FENCE IN THE CELLAR.

±0.00 = +57.00(R.G.L.)MSL

LEGEND AND ABBREVIATION

	REINFORCED CONCRETE	T.O.F.	TOP OF FOUNDATION
	LEAN CONCRETE	T.O.W.	TOP OF WALL
	CEMENT BLOCK WALL	T.O.C.	TOP OF CONCRETE
	GRAVEL	T.O.PIT	TOP OF PIT
	SUB GRADE	B.O.P.	BOTTOM OF PIPE
	SLOPE	R.G.L.	ROUGH GRADING LEVEL
		T.O.CH.	TOP OF CHANNEL

REFERENCE DRAWING	DRG. No.
SPECIFICATION FOR FENCE & GATE	BK-GNRL-PEDCO-000-CV-SP-0003
GENERAL NOTES - STEEL STRUCTURES	BK-GNRL-PEDCO-000-ST-DW-0011
GENERAL NOTES - REINFORCED CONCRETE STRUCTURES	BK-GNRL-PEDCO-000-ST-DW-0012
GENERAL CIVIL LAYOUT - W046S	BK-W046S-PEDCO-110-CV-PY-0001
ROUGH GRADING PLANS - W046S	BK-W046S-PEDCO-110-CV-DW-0001
STANDARD DRAWING FOR CULVERT & DETAILS	BK-GNRL-PEDCO-000-CV-DW-0014
STANDARD DETAILS OF MISCELLANEOUS ITEMS	BK-GNRL-PEDCO-000-CV-DW-0040
SPECIFICATION FOR EARTH WORK	BK-GNRL-PEDCO-000-CV-SP-0004
PLOT PLAN DRAWING - W046S	BK-W046S-PEDCO-110-PI-DW-0001
AREA ELECTRICAL CABLE ROUTE & SECTION LAYOUT OF WELL PADS	BK-SSGRL-PEDCO-110-EL-PY-0006
PLATFORM STRUCTURE DRAWING - W046S	BK-W046S-PEDCO-110-ST-DW-0012

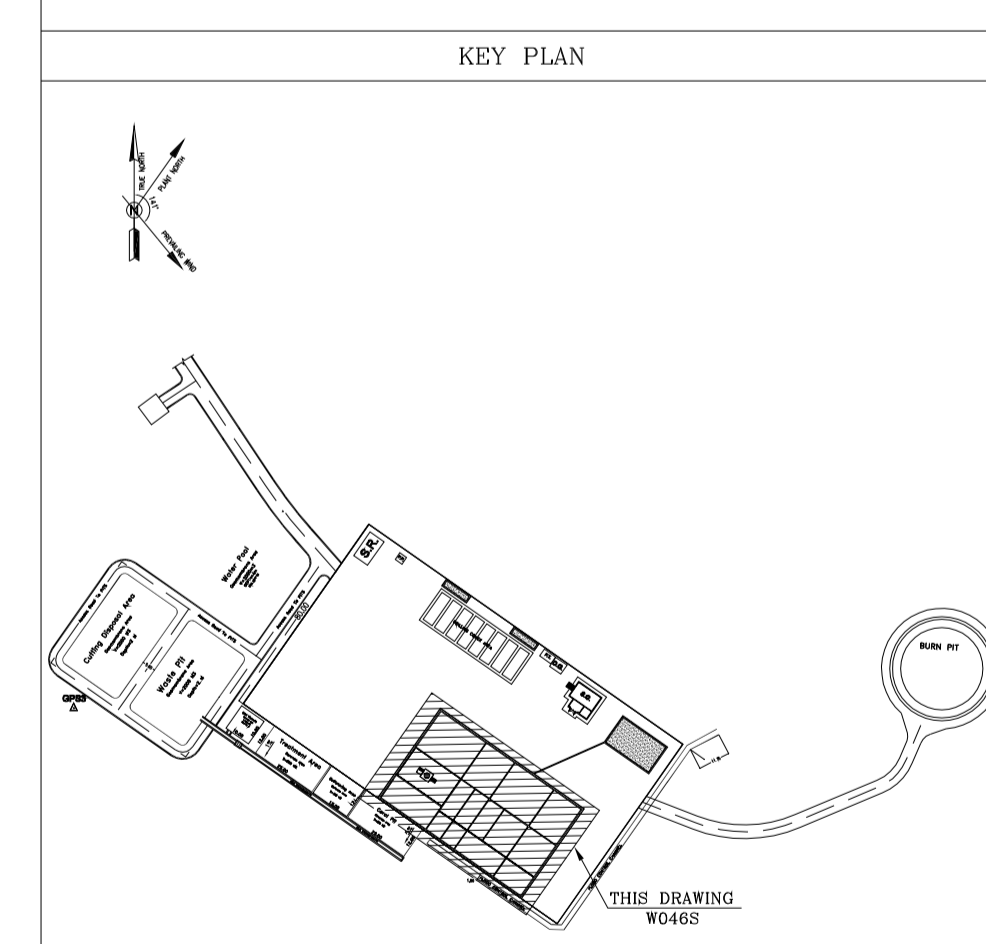


TABLE 1 (CORNERS COORDINATES)

POINT	E	N
POINT 1	E=435608.951	N=3294403.522
POINT 2	E=435661.380	N=3294366.817
POINT 3	E=435638.439	N=3294334.049
POINT 4	E=435586.010	N=3294370.754

REV.	DESCRIPTION	BY	DATE	BY	DATE		
D04	MAY.2023	APC		R. BERLOURI	M.PAKHARIAN	A.M.MOHSANI	** **
D03	DEC.2022	IPA		R. BERLOURI	M.PAKHARIAN	M.MEHRSHAD	** **
D02	SEP.2022	IPA		R. BERLOURI	M.PAKHARIAN	M.MEHRSHAD	** **
D01	JUL.2022	IPA		R. BERLOURI	M.PAKHARIAN	M.MEHRSHAD	** **
D00	MAY.2022	IFC		R. BERLOURI	M.PAKHARIAN	M.MEHRSHAD	** **

PROJECT NAME: BINAK OILFIELD DEVELOPMENT/SUB-SURFACE WORK PACKAGES W046S WELLHEAD FACILITIES

PROJECT NO.: 971020

EPC CONTRACTOR: **HIRGAN ENERGY** (DESIGN & INSPECTION COMPANIES)

EPD/EPC CONTRACTOR(GC): **PETROIRAN DEVELOPMENT COMPANY** (PEDCO)

DRAWING TITLE: CIVIL AND STRUCTURAL DRAWINGS-W046S WELLPAD FOUNDATION FORMWORK PLAN

SCALE	SIZE	DRAWING NO.	SHEET NO.	REV.	BUDGET REF.	LOCATION	SIZE	CLASS	SERIAL NO.	SHEET	REVISION
AS SHOWN	A1	BK-W046S-PEDCO-110-CV-PY-0002	1 OF 46	D04	053-073-9184	F	4	S	707854	1	D04

امر و کلیه نسخ این نقشه و حق اقتباس متعلق به شرکت ملی مناطق نفت خیز جنوب می باشد.

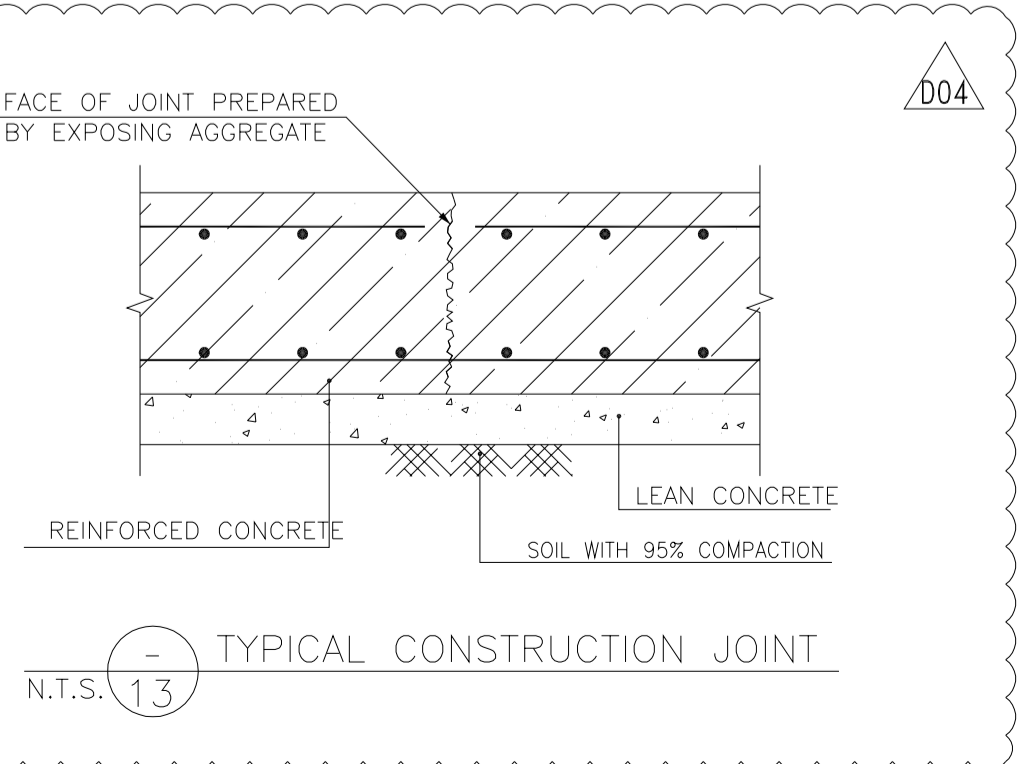
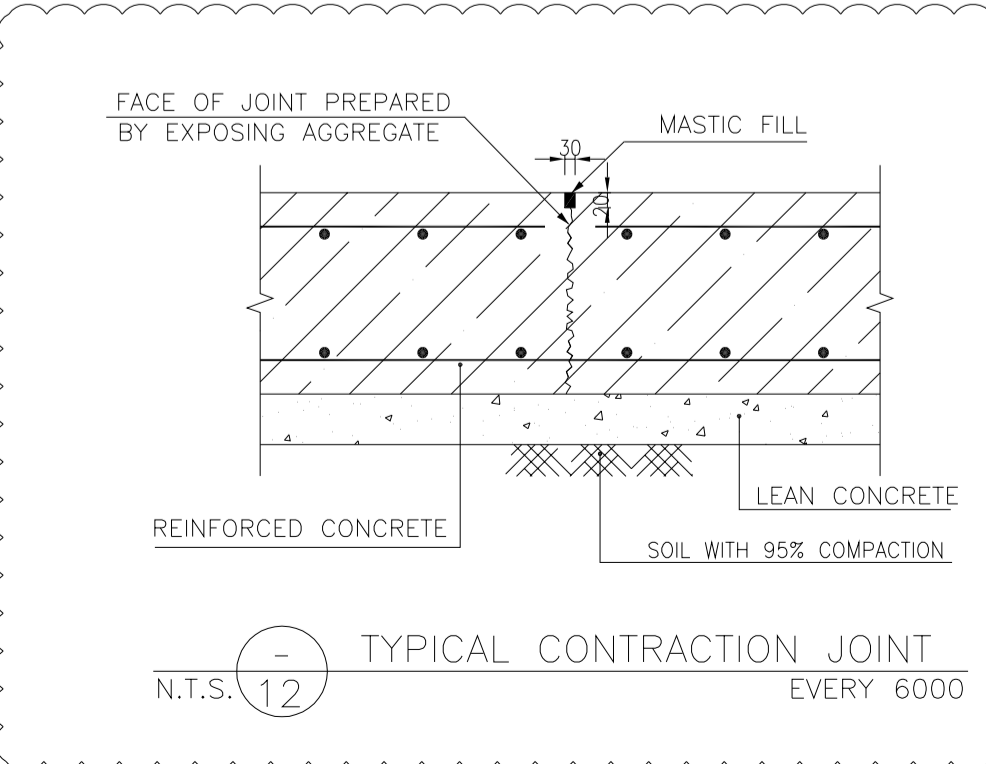
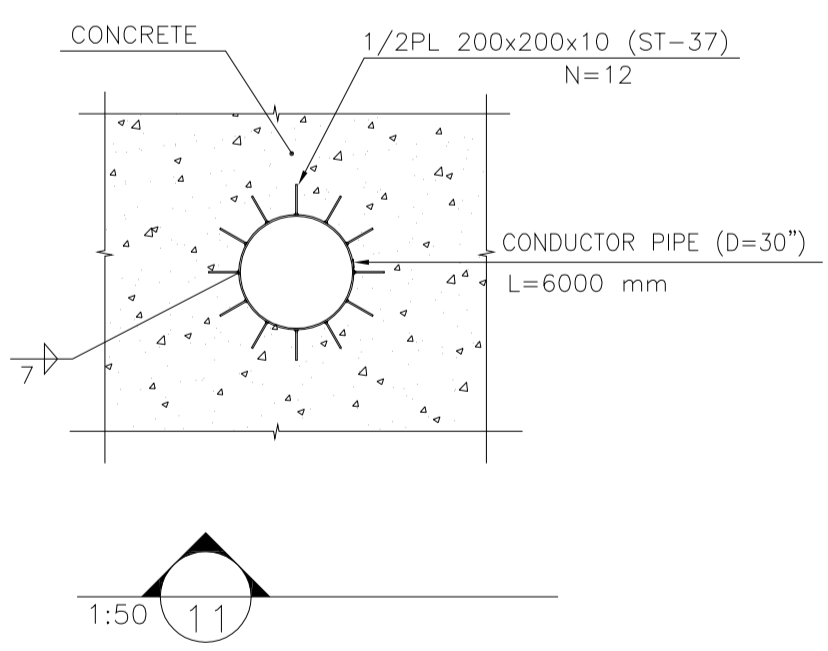
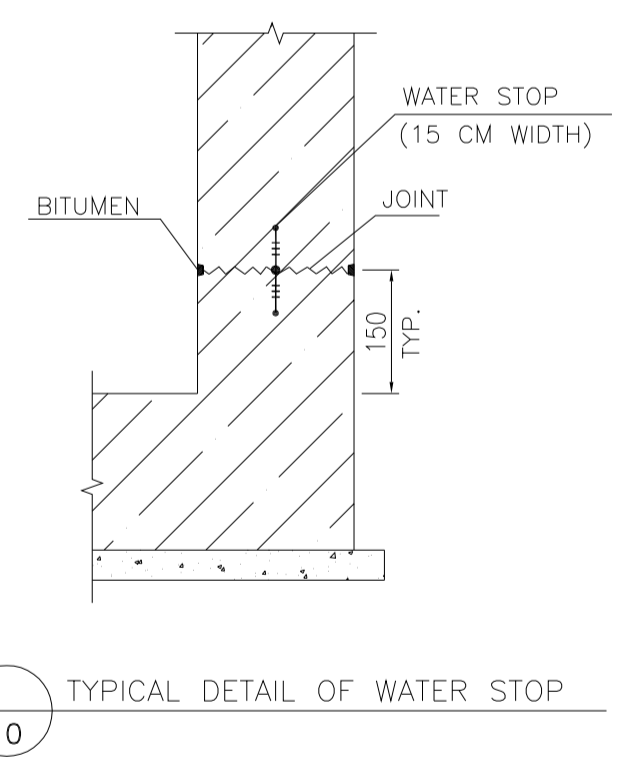
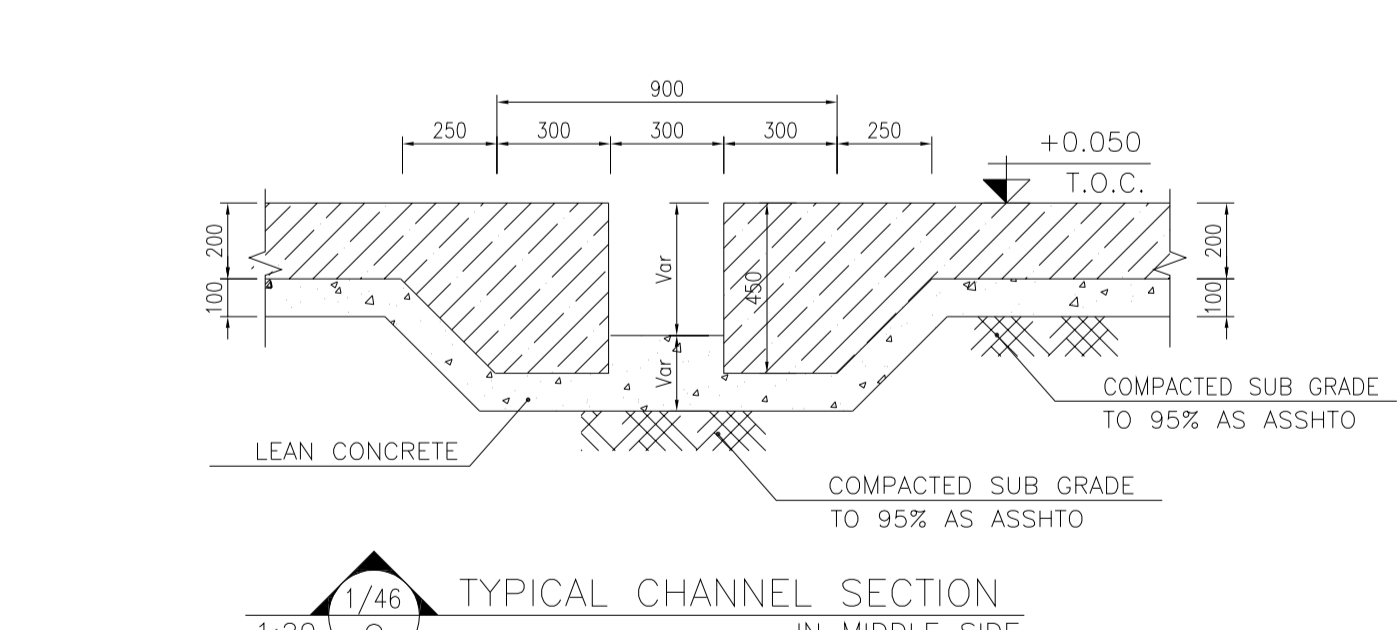
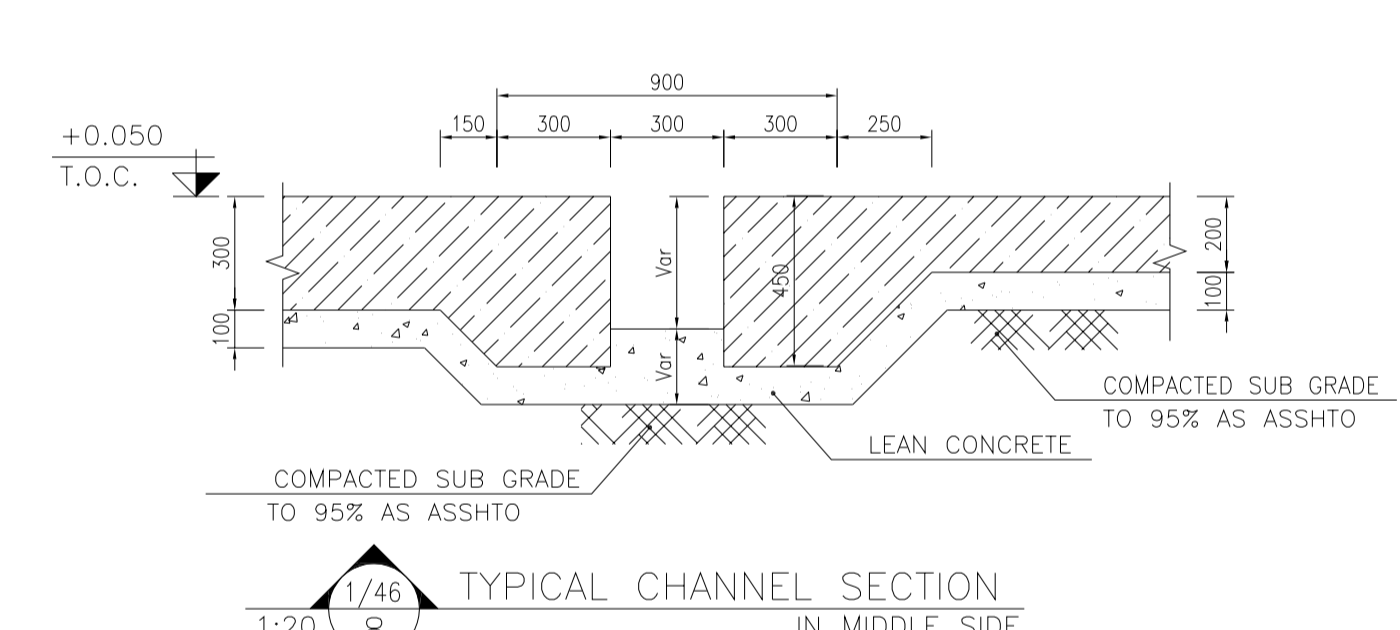
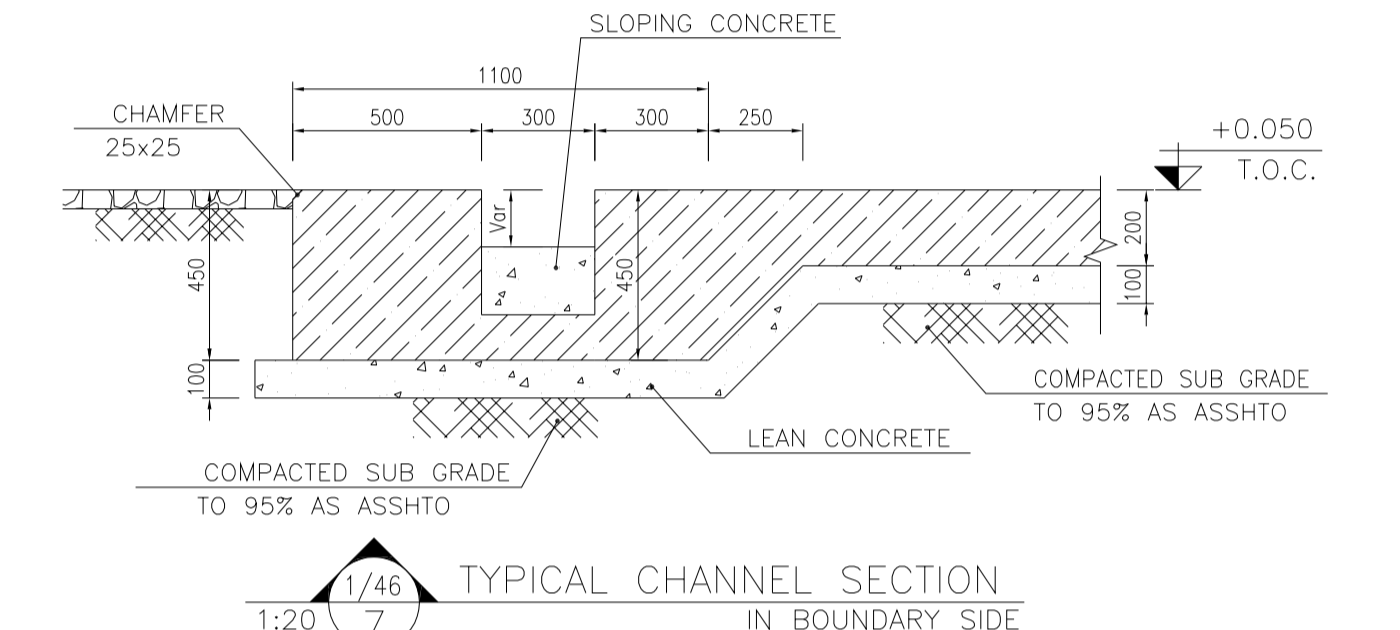
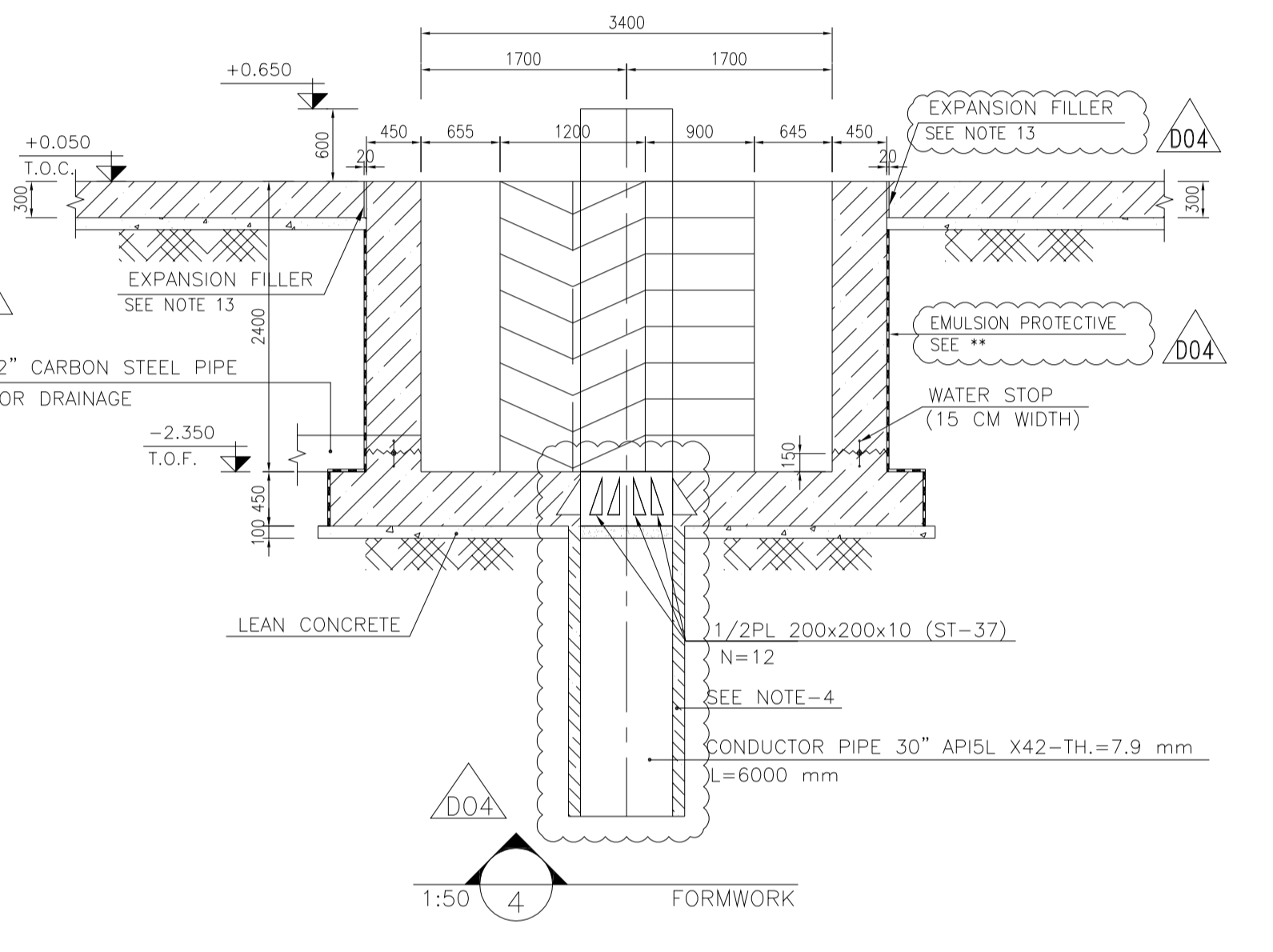
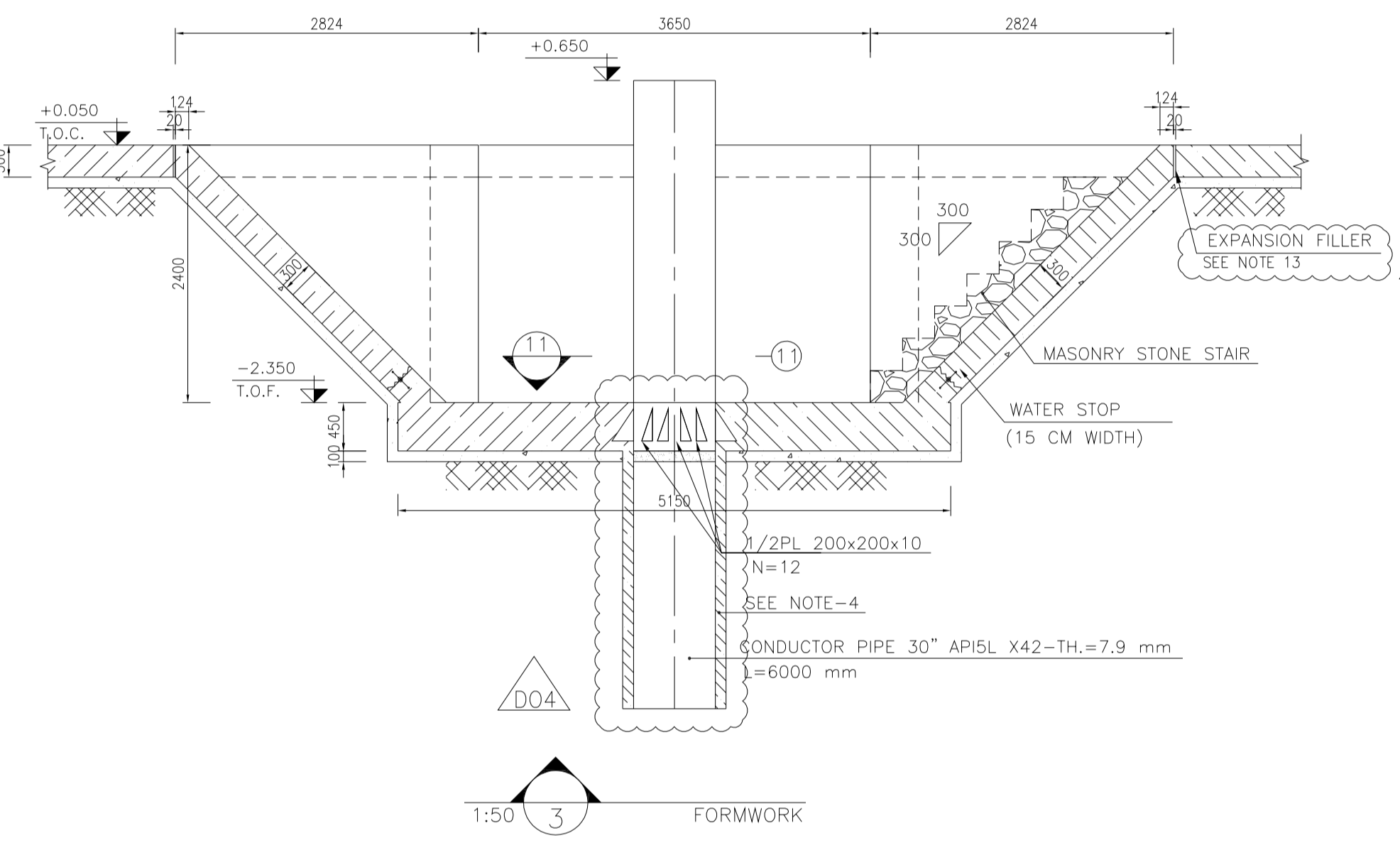
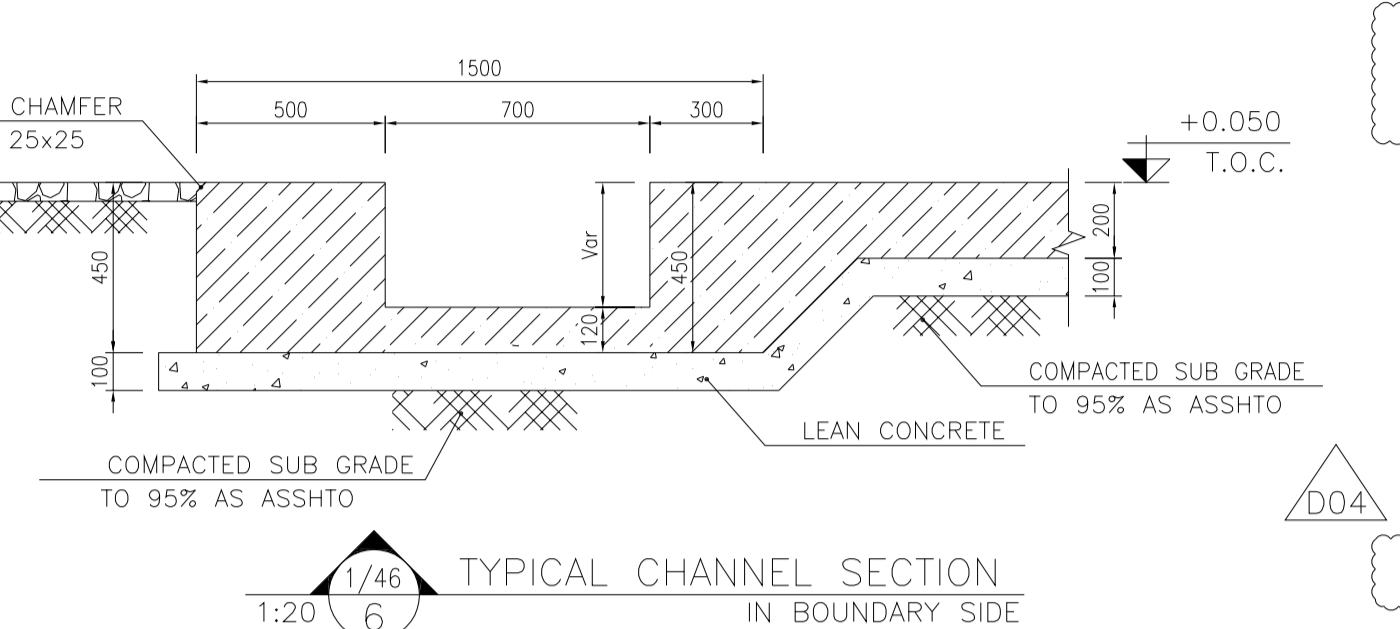
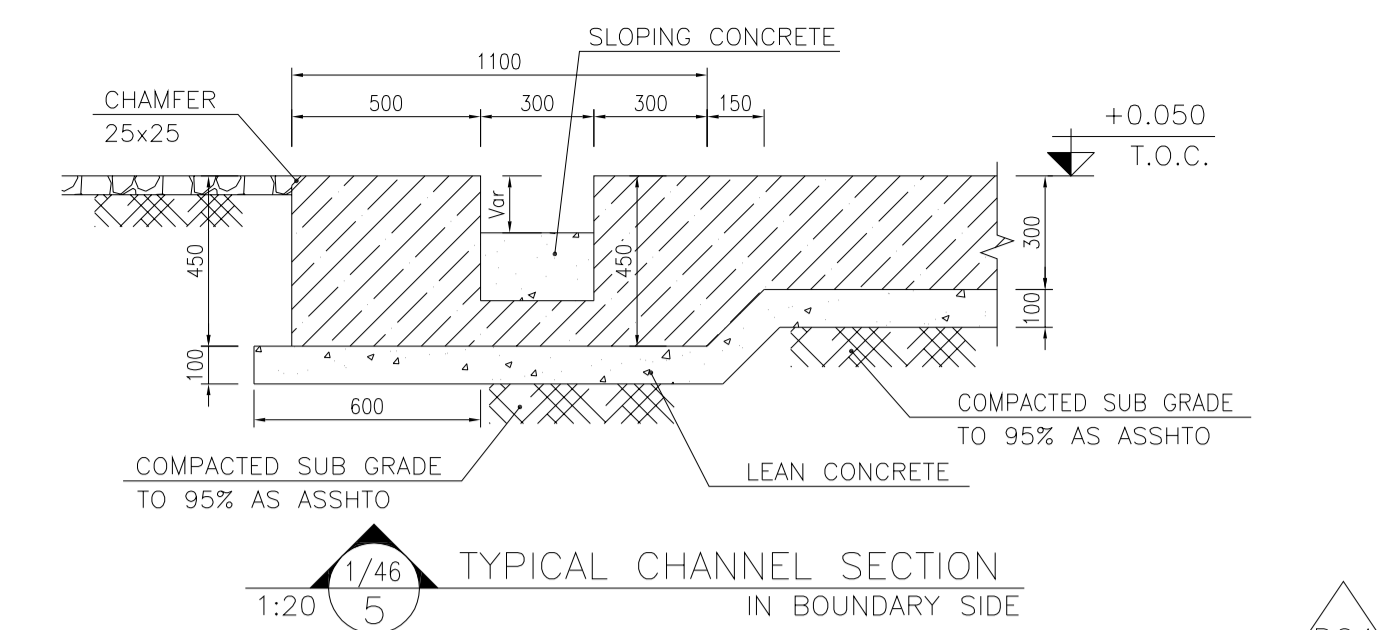
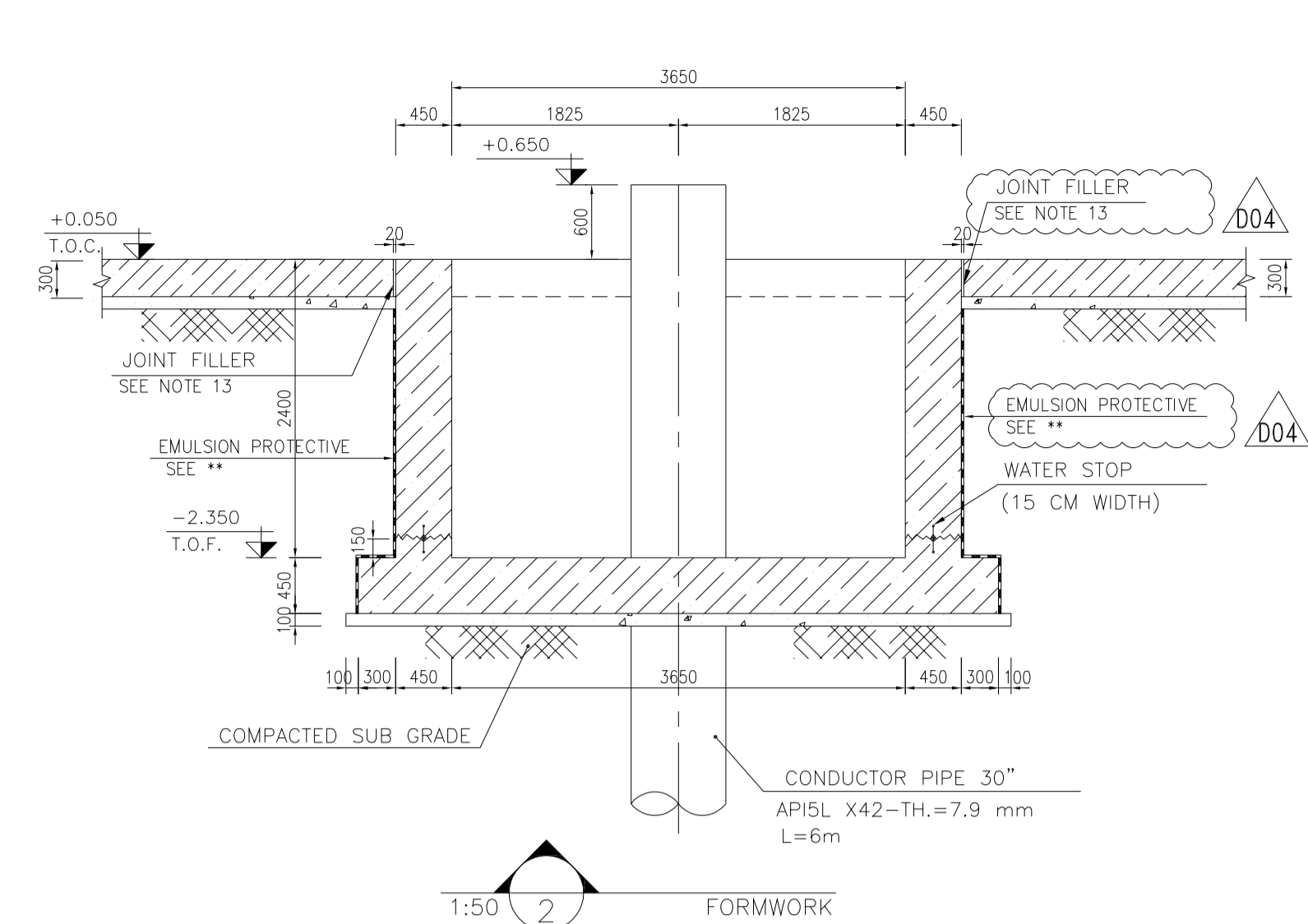
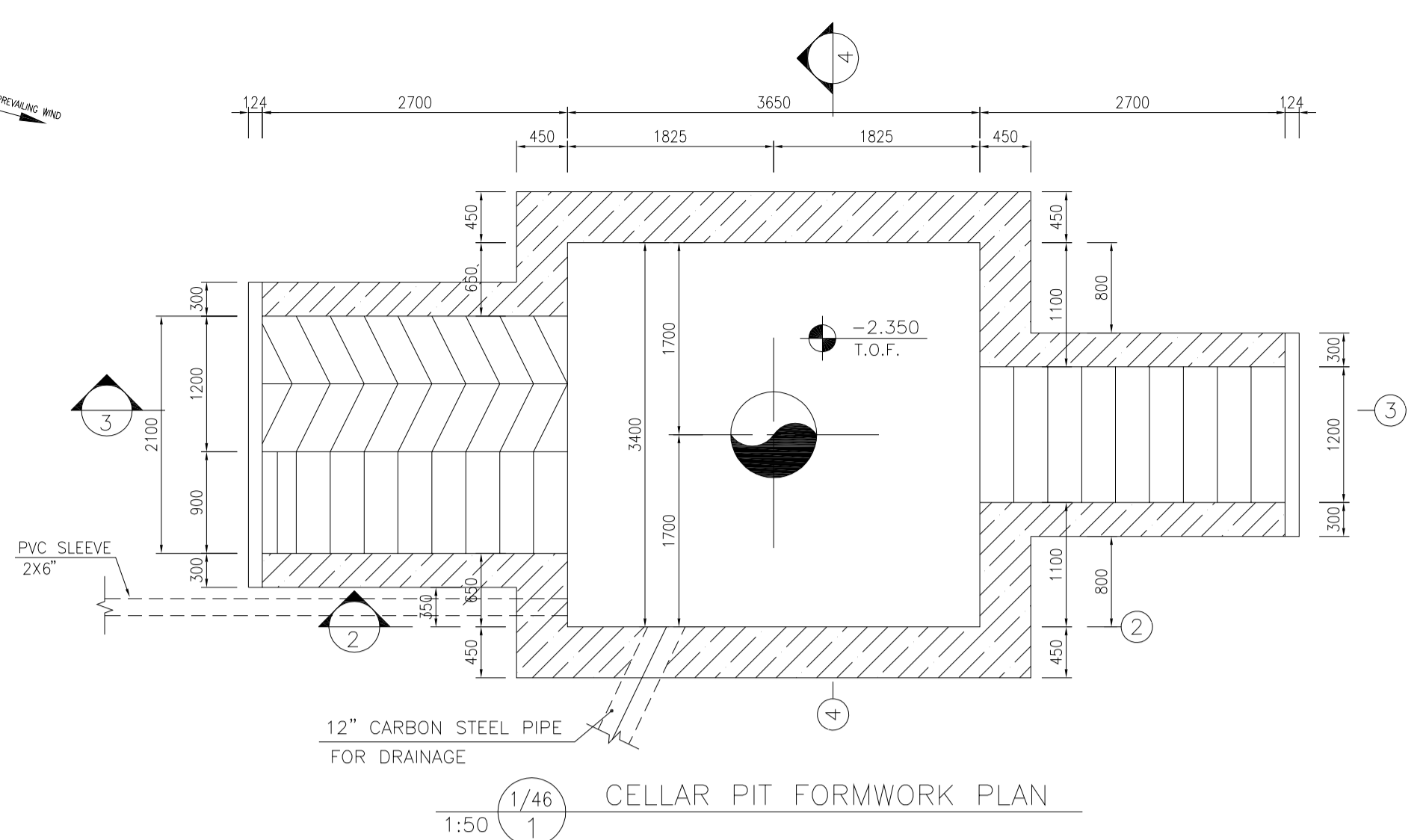
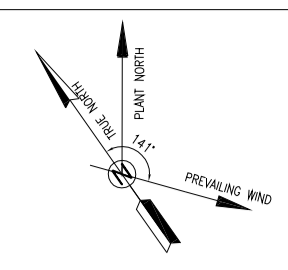
THE ORIGINAL AND ALL COPIES OF THIS DRAWING TOGETHER WITH THE COPYRIGHT THEREIN ARE THE SOLE PROPERTY OF N.I.S.O.C./ FIELDS

BINAK OILFIELD DEVELOPMENT SUB-SURFACE WORK PACKAGES W046S WELLHEAD FACILITIES

DATE	SCALE	DRAWING BY	CHECKED BY	PROJECT ENG.

NO CONSTRUCTION PERMITTED UNLESS DRAWING APPROVED

APPROVED FOR CONSTRUCTION	BY:	DATE:



• SHOULD BE USED MICRO SILICA IN THE FLOOR AND WALLS CONCRETE. (IN THE FORM OF A GEL CONTAINING FIBER MATERIAL)

•• SHOULD BE USED THE EMULSION ON CONCRETE EXPOSED WITH SOIL. B-90-COAT.M.E IS A BITUMEN-BASED ONE-COMPONENT EMULSION PROTECTIVE COATING TO PREVENT THE PENETRATION OF DESTRUCTIVE SALTS & IONS. THIS MATERIAL IS CONTROLLED ACCORDING TO THE FOLLOWING STANDARDS: ASTM D1227, ASTM D2939, ASTM D1640

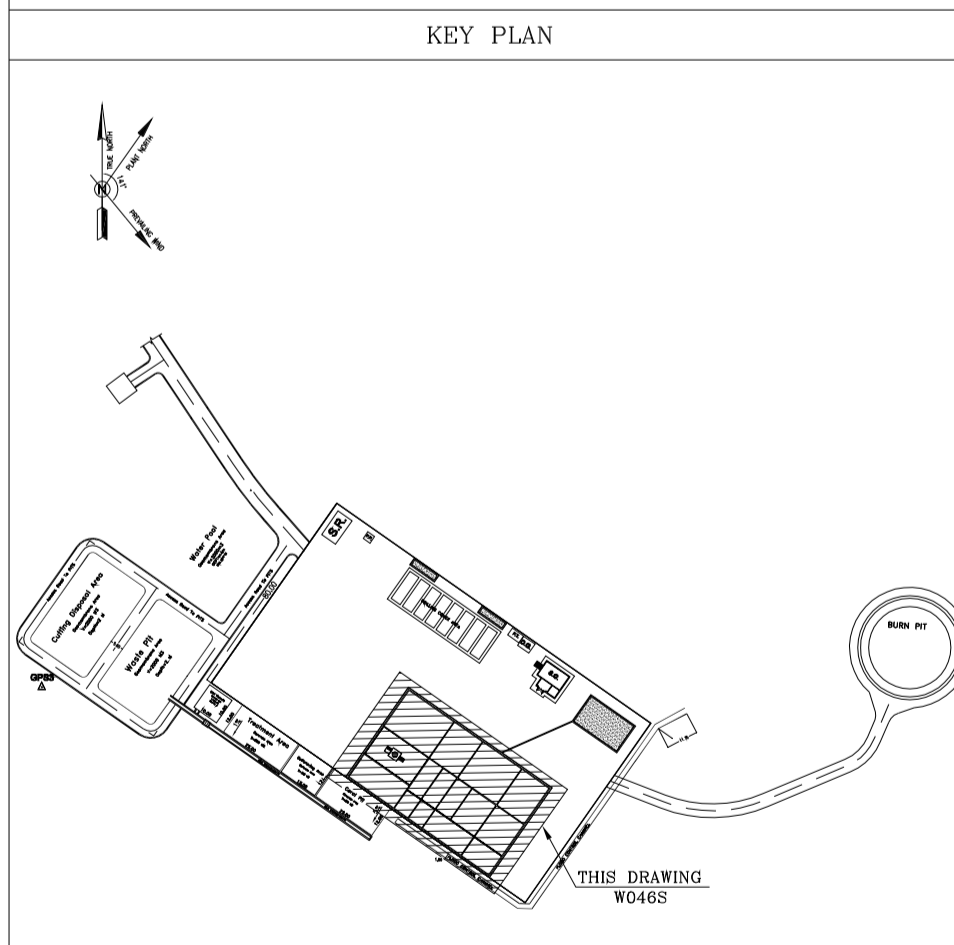
- NOTES**
- ALL COORDINATES ARE IN METER.
 - ALL DIMENSIONS ARE IN MILLIMETERS AND ELEVATIONS ARE IN METER.
 - ALL DRAWINGS SHALL BE CHECKED BY CONTRACTOR WITH RELATIVE DRAWINGS BEFORE CONSTRUCTION.
 - ACCORDING TO THE SPECIFICATION OF CONCRETE WORKS: "BK-GNRL-PEDCO-000-ST-SP-0001", 28 DAYS CHARACTERISTIC COMPRESSIVE STRENGTH OF MAIN CONCRETE IS 25 MPa (ON CYLINDRICAL SPECIMEN)
 - ACCORDING TO THE SPECIFICATION OF CONCRETE WORKS: "BK-GNRL-PEDCO-000-ST-SP-0001", 28 DAYS CHARACTERISTIC COMPRESSIVE STRENGTH OF LEAN CONCRETE IS 15 MPa (ON CYLINDRICAL SPECIMEN)
 - REINFORCING BARS SHALL BE S400 ACCORDING TO: ISIRI3132 AND INBC9 WITH MINIMUM TENSILE YIELD STRENGTH 400 N/mm²
 - MINIMUM FOUNDATION NET CONCRETE COVER SHALL BE 75 mm.
 - SPECIFICATIONS OF THERMO PLAST ACRYLIC COLOR, BASED ON No.3758 NATIONAL STANDARD CODE: DENSITY : 4.1-5.1 gr/cm³ THICKNESS : 300-400 MICRON GLOSS : DULL SOLID MATERIAL PERCENTAGE BY WEIGHT : 75%±2 SOLID MATERIAL PERCENTAGE BY VOLUME : 48%±2
 - JOINT SEALANT MATERIALS SHALL BE WETHER-RESISTANT POLYURETHANE OR SILICONE SUCH AS "AEROLASTIC 1674" OR SIMILAR AND SHALL CONFORM TO BS-4254 FOR VERTICAL JOINTS IN WALLS. THE FILLING MATERIAL MUST BE APPROVED BY THE WORKSHOP SUPERVISION
 - CONTRACTION JOINTS SHALL BE CONSIDERED IN CONCRETE SLABS EVERY 6m.
 - GEODETIC PARAMETERS FOR COORDINATES ARE AS BELOW: HORIZONTAL COORDINATE SYSTEM: WGS84/UTM ZONE 39 ELLIPSOID : WORLD GEODETIC SYSTEM 1984 (WGS84) MAP PROJECTION: UNIVERSAL TRANSVERSE MERCATOR (UTM) VERTICAL DATUM: MSL
 - ACCORDING TO THE GEOTECHNICAL REPORT SHOULD BE USED OF CEMENT TYPE2.
 - JOINT FILLER SHALL BE ELASTIC MATERIAL. POLY ETHYLENE SHEETS OR CORK PARTICLES OR EQUIVALENT MATERIALS CAN BE USED
 - JOINT SEALANTS SHALL BE FOLLOWED ASTM D2499.
 - REFER TO THE PLOT PLAN FOR LOCATED FENCE IN THE CELLAR.
- ±0.00 = +57.00(R.G.L.)MSL

LEGEND AND ABBREVIATION

	REINFORCED CONCRETE	T.O.F.	TOP OF FOUNDATION
	LEAN CONCRETE	T.O.W.	TOP OF WALL
	CEMENT BLOCK WALL	T.O.C.	TOP OF CONCRETE
	GRAVEL	T.O.PIT	TOP OF PIT
	SUB GRADE	B.O.P.	BOTTOM OF PIPE
	SLOPE	R.G.L.	ROUGH GRADING LEVEL
		T.O.CH.	TOP OF CHANNEL

REFERENCE DRAWING

REFERENCE DRAWING	DRG. No.
SPECIFICATION FOR FENCE & GATE	BK-GNRL-PEDCO-000-CV-SP-0003
GENERAL NOTES - STEEL STRUCTURES	BK-GNRL-PEDCO-000-ST-DW-0011
GENERAL NOTES - REINFORCED CONCRETE STRUCTURES	BK-GNRL-PEDCO-000-ST-DW-0012
GENERAL CIVIL LAYOUT - W046S	BK-W046S-PEDCO-110-CV-PY-0001
ROUGH GRADING PLANS - W046S	BK-W046S-PEDCO-110-CV-DW-0001
STANDARD DRAWING FOR CULVERT & DETAILS	BK-GNRL-PEDCO-000-CV-DW-0014
STANDARD DETAILS OF MISCELLANEOUS ITEMS	BK-GNRL-PEDCO-000-CV-DW-0040
SPECIFICATION FOR EARTH WORK	BK-GNRL-PEDCO-000-CV-SP-0004
PLOT PLAN DRAWING - W046S	BK-W046S-PEDCO-110-PI-DW-0001
AREA ELECTRICAL CABLE ROUTE & SECTION LAYOUT OF WELL PADS	BK-SSQRL-PEDCO-110-EL-PY-0006
PLATFORM STRUCTURE DRAWING - W046S	BK-W046S-PEDCO-110-ST-DW-0012



REV.	DATE	P.O.I.S	PREP.	CHK.	APP.	AUT.
D04	MAY.2023	APC	R. BERLOURI	M.PAKHARIAN	A.M.MOHSANI	***
D03	DEC.2022	IPA	R. BERLOURI	M.PAKHARIAN	M.MEHRSHAD	***
D02	SEP.2022	IPA	R. BERLOURI	M.PAKHARIAN	M.MEHRSHAD	***
D01	JUL.2022	IPA	R. BERLOURI	M.PAKHARIAN	M.MEHRSHAD	***
D00	MAY.2022	IPC	R. BERLOURI	M.PAKHARIAN	M.MEHRSHAD	***

PROJECT NAME: BINAK OILFIELD DEVELOPMENT/SUB-SURFACE WORK PACKAGES W046S WELLHEAD FACILITIES

PROJECT NO.: 971020

EPC CONTRACTOR: **HIRGAN ENERGY** DESIGN & INSPECTION COMPANIES

EPD/EPC CONTRACTOR(GC): **PETROIRAN DEVELOPMENT COMPANY** PEDCO

DRAWING TITLE: CIVIL AND STRUCTURAL DRAWINGS-W046S WELLPAD AND RIG FOUNDATION DETAILS & SECTIONS

SCALE	SIZE	DRAWING NO.	SHEET NO.	REV.	BUDGET REF.	LOCATION	SIZE	CLASS	SERIAL NO.	SHEET	REVISION
AS SHOWN	A1	BK-W046S-PEDCO-110-CV-PY-0002	2 OF 46	D04	053-073-9184	F	4	S	707854	2	D04

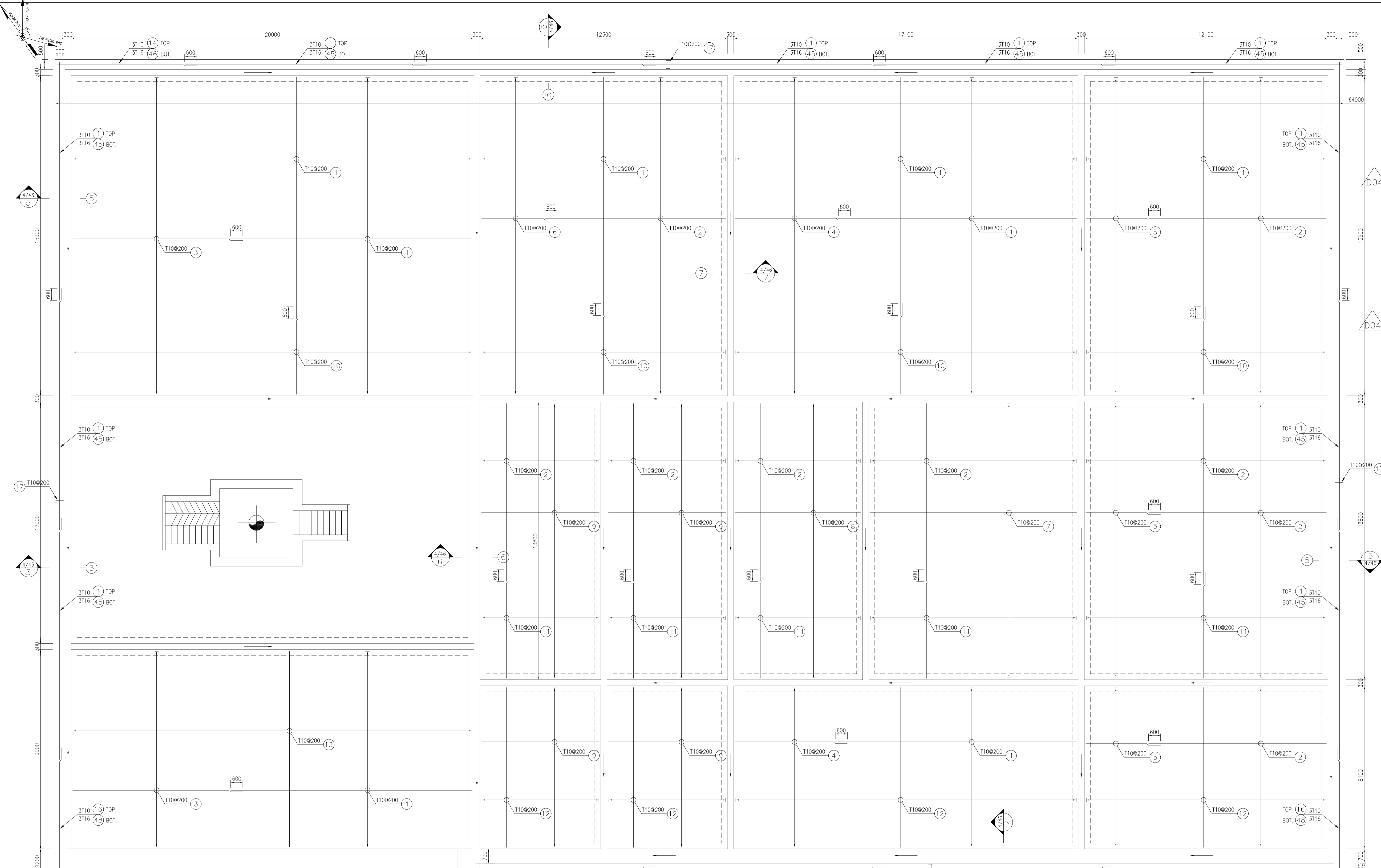
امتل و کلیه نسخ این نقشه و حق اقتباس متعلق به شرکت ملی مناطق نفت خیز جنوب میباشد.

THE ORIGINAL AND ALL COPIES OF THIS DRAWING TOGETHER WITH THE COPYRIGHT THEREIN ARE THE SOLE PROPERTY OF N.I.S.O.C./ FIELDS

DATE	SCALE	DRAWING BY	CHECKED BY	PROJECT ENG.

NO CONSTRUCTION PERMITTED UNLESS DRAWING APPROVED

APPROVED FOR CONSTRUCTION	BY:	DATE:



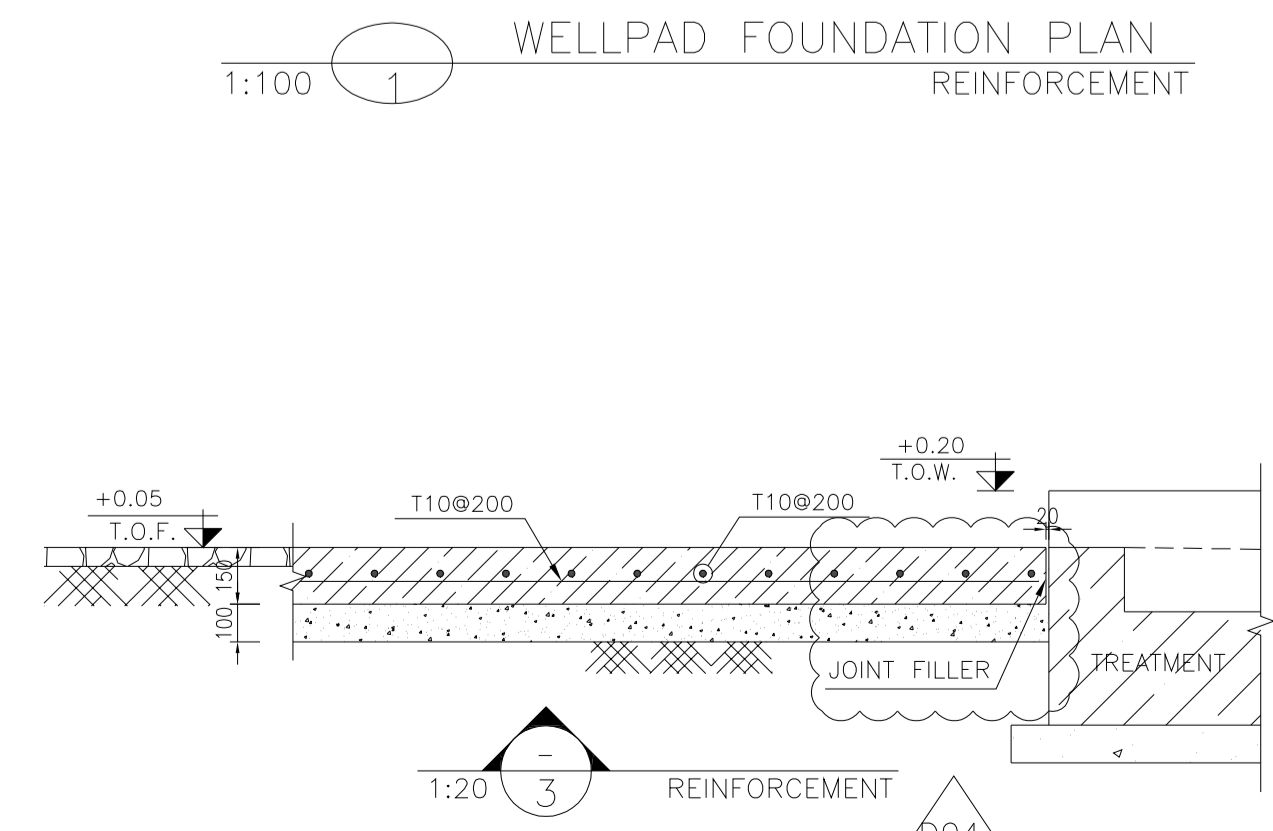
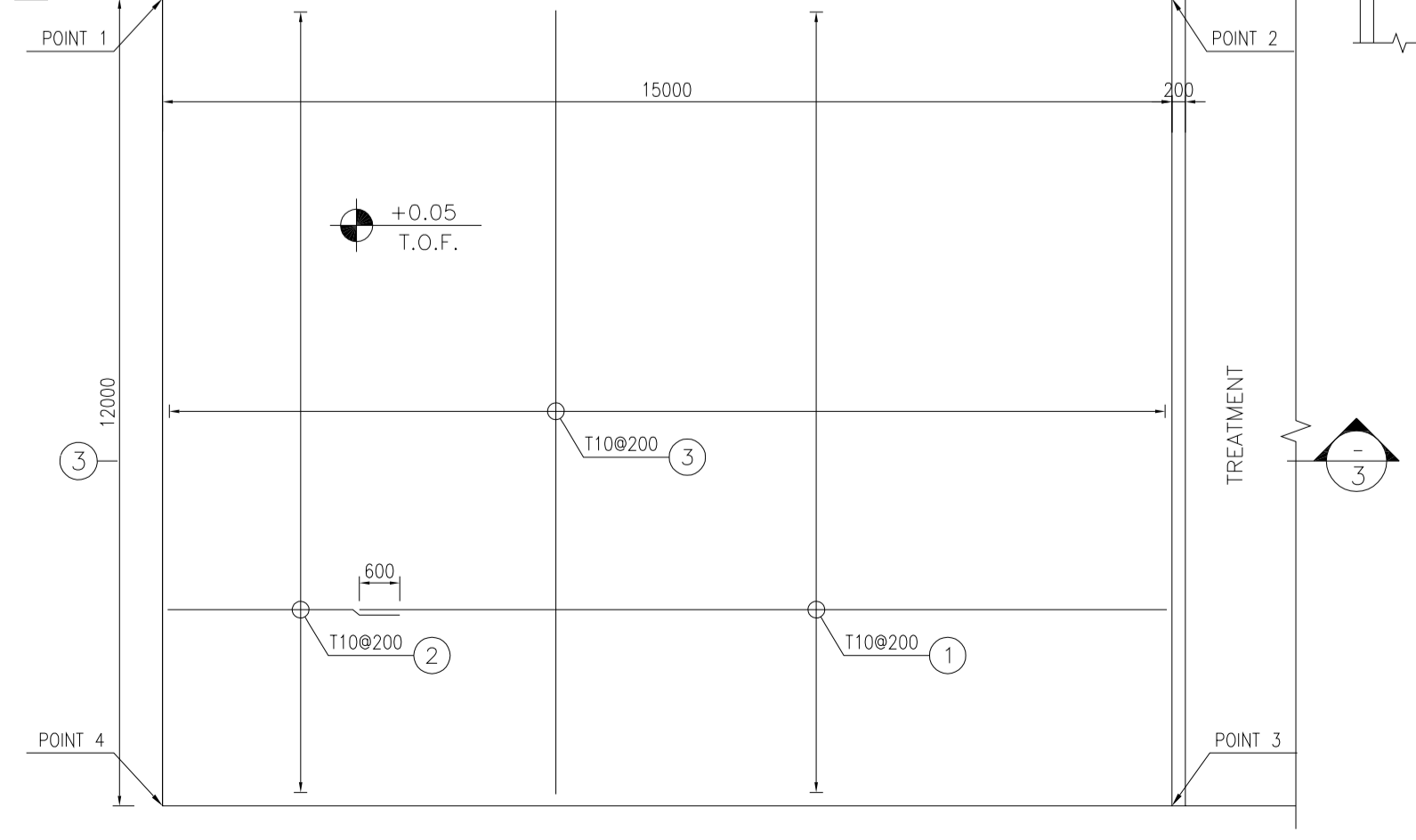
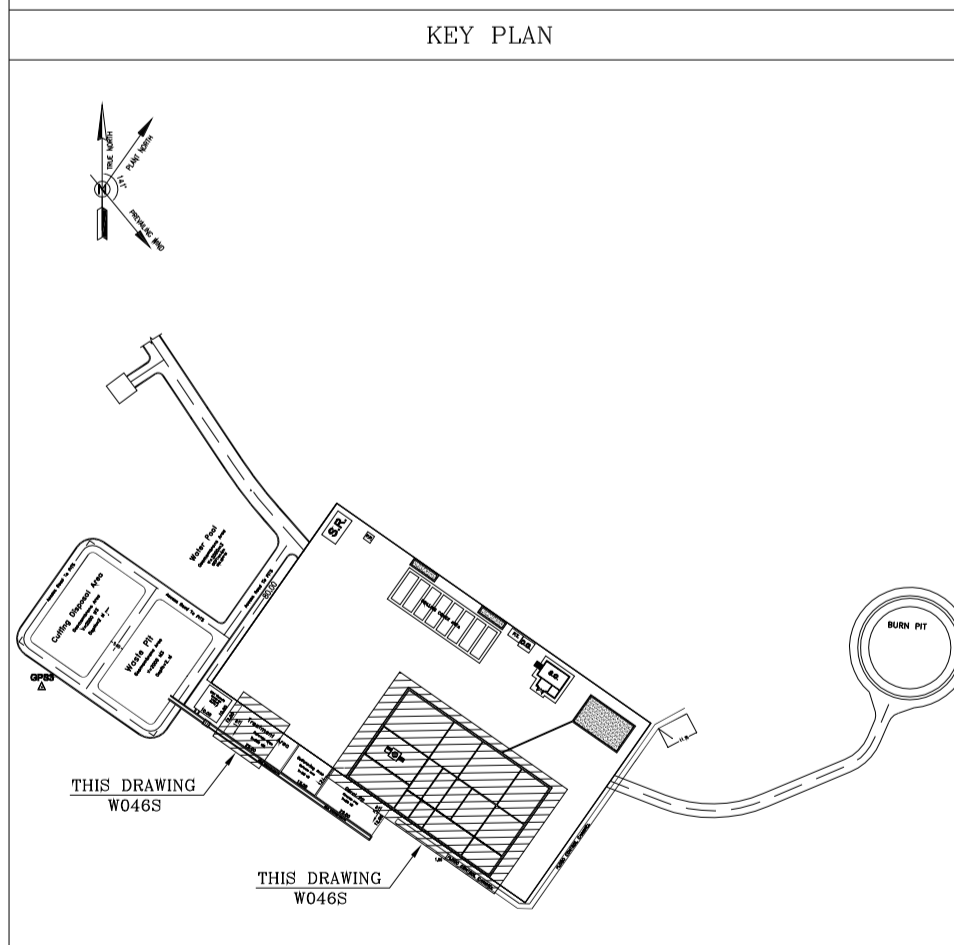
- NOTES**
- 1- ALL COORDINATES ARE IN METER.
 - 2- ALL DIMENSIONS ARE IN MILLIMETERS AND ELEVATIONS ARE IN METER.
 - 3- ALL DRAWINGS SHALL BE CHECKED BY CONTRACTOR WITH RELATIVE DRAWINGS BEFORE CONSTRUCTION.
 - 4- ACCORDING TO THE SPECIFICATION OF CONCRETE WORKS:
"BK-GNRL-PEDCO-000-ST-SP-0001", 28 DAYS CHARACTERISTIC COMPRESSIVE STRENGTH OF MAIN CONCRETE IS 25 MPa (ON CYLINDRICAL SPECIMEN)
 - 5- ACCORDING TO THE SPECIFICATION OF CONCRETE WORKS:
"BK-GNRL-PEDCO-000-ST-SP-0001", 28 DAYS CHARACTERISTIC COMPRESSIVE STRENGTH OF LEAN CONCRETE IS 15 MPa (ON CYLINDRICAL SPECIMEN)
 - 6- REINFORCING BARS SHALL BE S400 ACCORDING TO: ISIRI 3132 AND INBC9 WITH MINIMUM TENSILE YIELD STRENGTH 400 N/mm²
 - 7- MINIMUM FOUNDATION NET CONCRETE COVER SHALL BE 75 mm.
 - 8- SPECIFICATIONS OF THERMO PLAST ACRYLIC COLOR:
BASED ON No. 3758 NATIONAL STANDARD CODE:
DENSITY : 4.1-5.1 gr/cm³
THICKNESS : 300-400 MICRON
GLOSS : DULL
SOLID MATERIAL PERCENTAGE BY WEIGHT : 75%±2
SOLID MATERIAL PERCENTAGE BY VOLUME : 48%±2
 - 9- JOINT SEALANT MATERIALS SHALL BE WEATHER-RESISTANT POLYURETHANE OR SILICONE SCH AS "AEROLASTIC 1674" OR SIMILAR AND SHALL CONFORM TO BS-4254 FOR VERTICAL JOINTS IN WALLS. THE FILLING MATERIAL MUST BE APPROVED BY THE WORKSHOP SUPERVISION
 - 10- CONTRACTION JOINTS SHALL BE CONSIDERED IN CONCRETE SLABS EVERY 6m.
 - 11- GEODETIC PARAMETERS FOR COORDINATES ARE AS BELOW:
HORIZONTAL COORDINATE SYSTEM: WGS84/UTM ZONE 39
ELLIPSOID : WORLD GEODETIC SYSTEM 1984 (WGS84)
MAP PROJECTION: UNIVERSAL TRANSVERSE MERCATOR (UTM)
VERTICAL DATUM: MSL
 - 12- ACCORDING TO THE GEOTECHNICAL REPORT SHOULD BE USED OF CEMENT TYPE 2.
 13. JOINT FILLER SHALL BE ELASTIC MATERIAL.
POLY ETHYLENE SHEETS OR CORK PARTICLES OR EQUIVALENT MATERIALS CAN BE USED
 14. JOINT SEALANTS SHALL BE FOLLOWED ASTM D2499.
 15. REFER TO THE PLOT PLAN FOR LOCATED FENCE IN THE CELLAR.
- ±0.00 = +57.00(R.G.L.)MSL

LEGEND AND ABBREVIATION

	REINFORCED CONCRETE	T.O.F.	TOP OF FOUNDATION
	LEAN CONCRETE	T.O.W.	TOP OF WALL
	CEMENT BLOCK WALL	T.O.C.	TOP OF CONCRETE
	GRAVEL	T.O.PIT	TOP OF PIT
	SUB GRADE	B.O.P.	BOTTOM OF PIPE
	SLOPE	R.G.L.	ROUGH GRADING LEVEL
		T.O.CH.	TOP OF CHANNEL

REFERENCE DRAWING

REFERENCE DRAWING	DRG. No.
SPECIFICATION FOR FENCE & GATE	BK-GNRL-PEDCO-000-CV-SP-0003
GENERAL NOTES - STEEL STRUCTURES	BK-GNRL-PEDCO-000-ST-DW-0011
GENERAL NOTES - REINFORCED CONCRETE STRUCTURES	BK-GNRL-PEDCO-000-ST-DW-0012
GENERAL CIVIL LAYOUT - W046S	BK-W046S-PEDCO-110-CV-PY-0001
ROUGH GRADING PLANS - W046S	BK-W046S-PEDCO-110-CV-DW-0001
STANDARD DRAWING FOR CULVERT & DETAILS	BK-GNRL-PEDCO-000-CV-DW-0014
STANDARD DETAILS OF MISCELLANEOUS ITEMS	BK-GNRL-PEDCO-000-CV-DW-0040
SPECIFICATION FOR EARTH WORK	BK-GNRL-PEDCO-000-CV-SP-0004
PLOT PLAN DRAWING - W046S	BK-W046S-PEDCO-110-PI-DW-0001
AREA ELECTRICAL CABLE ROUTE & SECTION LAYOUT OF WELL PADS	BK-SSQRL-PEDCO-110-EL-PY-0006
PLATFORM STRUCTURE DRAWING - W046S	BK-W046S-PEDCO-110-ST-DW-0012



DEWATERING (CORNERS COORDINATES)

POINT	E	N
POINT 1	E=435549.277	N=3294397.446
POINT 2	E=435561.565	N=3294388.844
POINT 3	E=435554.683	N=3294379.013
POINT 4	E=435542.395	N=3294387.616

REV.	DATE	P.O.I.S	PREP.	CHK.	APP.	AUT.
D04	MAY.2023	APC	R. BERLOURI	M.PAKHARIAN	A.M.MOHSANI	** **
D03	DEC.2022	IPA	R. BERLOURI	M.PAKHARIAN	M.MEHRSHAD	** **
D02	SEP.2022	IPA	R. BERLOURI	M.PAKHARIAN	M.MEHRSHAD	** **
D01	JUL.2022	IPA	R. BERLOURI	M.PAKHARIAN	M.MEHRSHAD	** **
D00	MAY.2022	IPC	R. BERLOURI	M.PAKHARIAN	M.MEHRSHAD	** **

PROJECT NAME: BINAK OILFIELD DEVELOPMENT/SUB-SURFACE WORK PACKAGES W046S WELLHEAD FACILITIES

PROJECT NO.: 971020

EPC CONTRACTOR: HIRGAN ENERGY - DESIGN & INSPECTION COMPANIES

EPD/EPC CONTRACTOR(GC): PETROIRAN DEVELOPMENT COMPANY

DRAWING TITLE: CIVIL AND STRUCTURAL DRAWINGS-W046S WELLPAD FOUNDATION REINFORCEMENT PLAN

SCALE	BUDGET REF.	LOCATION	SIZE	CLASS	REV.	SHEET	REVISION
AS SHOWN	A1	BK-W046S-PEDCO-110-CV-PY-0002	3 OF 46	D04	053-073-9184	F	4

امثل و کلیه نسخ این نقشه و حق اقتباس متعلق به شرکت ملی مناطق نفت خیز جنوب می باشد.

THE ORIGINAL AND ALL COPIES OF THIS DRAWING TOGETHER WITH THE COPYRIGHT THEREIN ARE THE SOLE PROPERTY OF N.I.S.O.C./ FIELDS

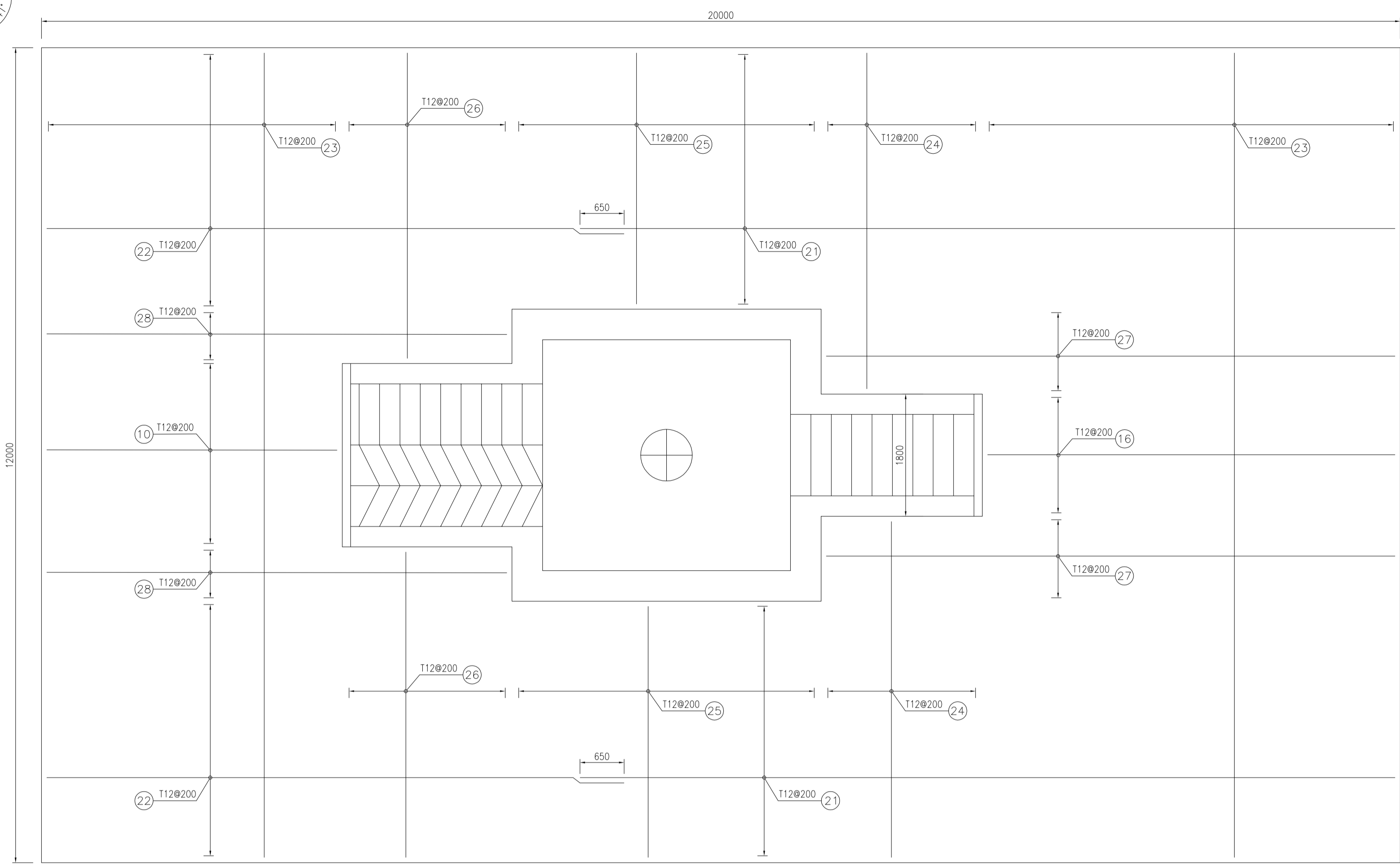
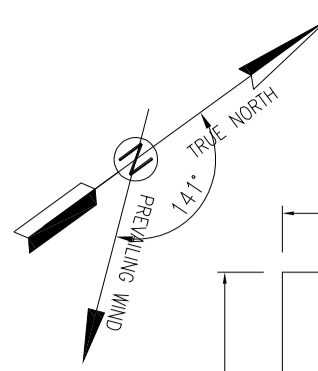
BINAK OILFIELD DEVELOPMENT SUB-SURFACE WORK PACKAGES W046S WELLHEAD FACILITIES

DATE	SCALE	DRAWING BY	CHECKED BY	PROJECT ENG.

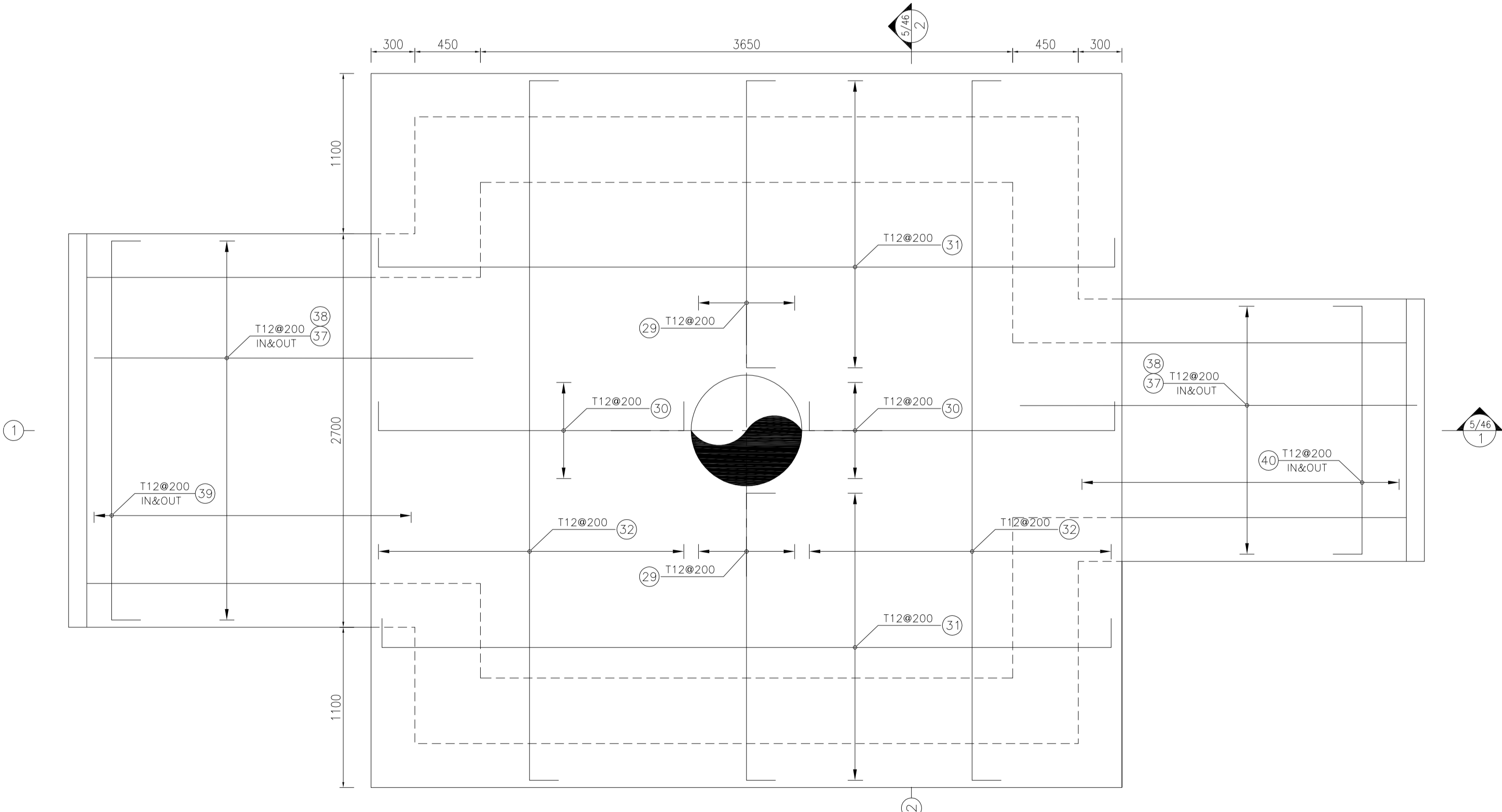
NO CONSTRUCTION PERMITTED UNLESS DRAWING APPROVED

APPROVED FOR CONSTRUCTION	BY:	DATE:

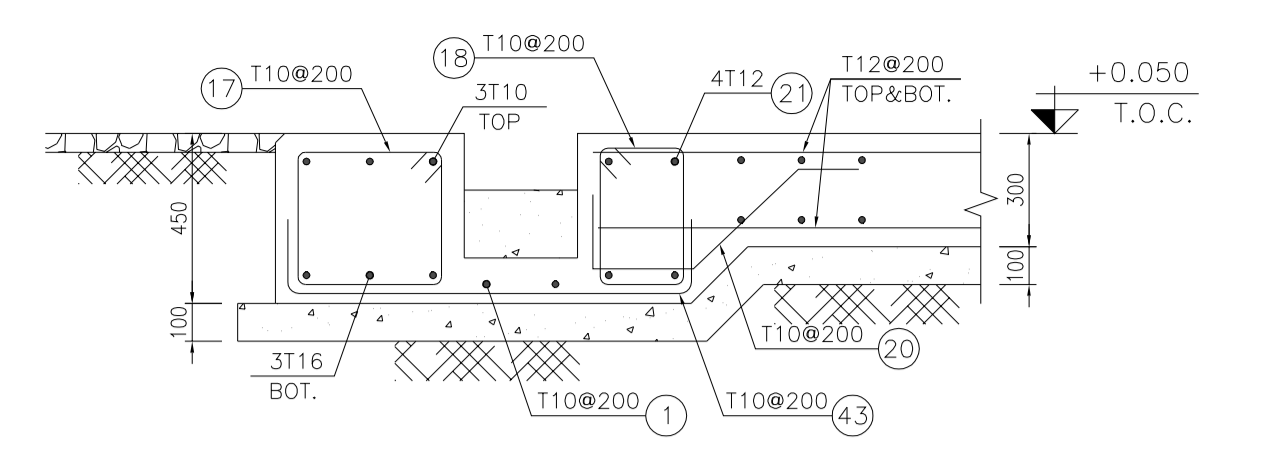
SCALE	BUDGET REF.	LOCATION	SIZE	CLASS	REV.	SHEET	REVISION
AS SHOWN	A1	BK-W046S-PEDCO-110-CV-PY-0002	3 OF 46	D04	053-073-9184	F	4



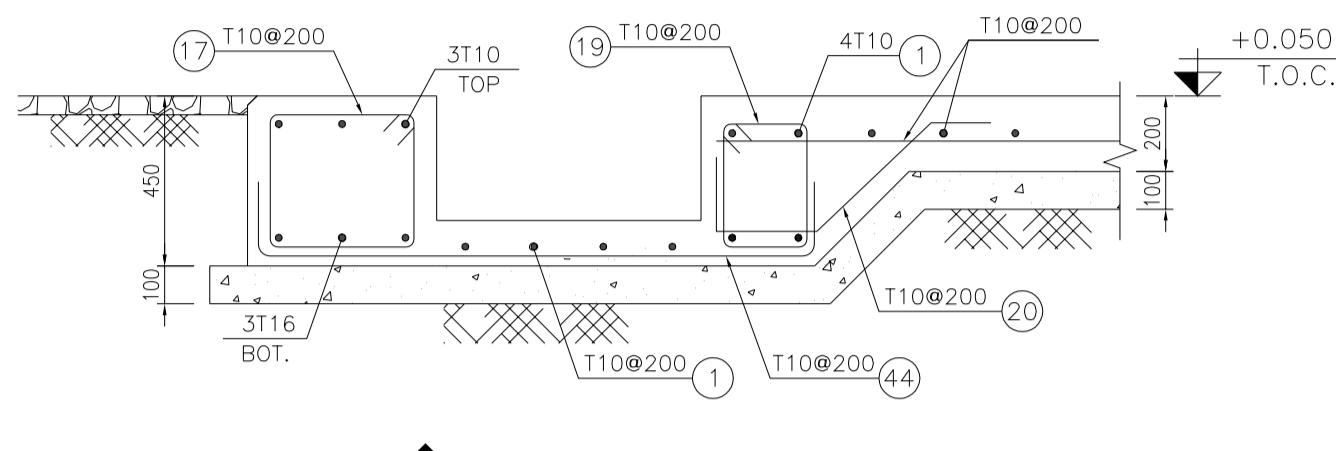
1:50 RIG FOUNDATION REINFORCEMENT PLAN TOP & BOTTOM



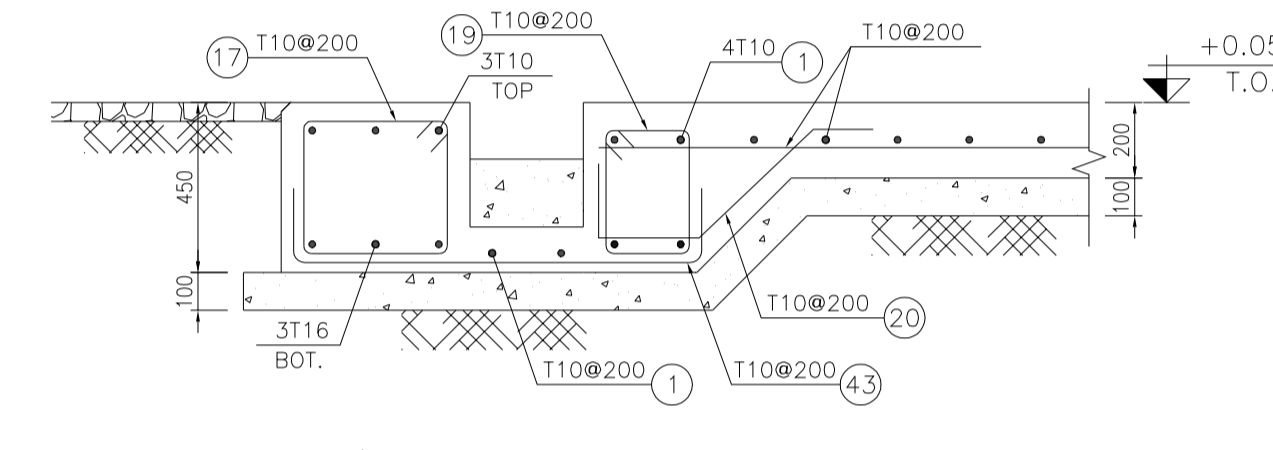
1:25 CELLAR PIT FOUNDATION REINFORCEMENT PLAN TOP & BOTTOM



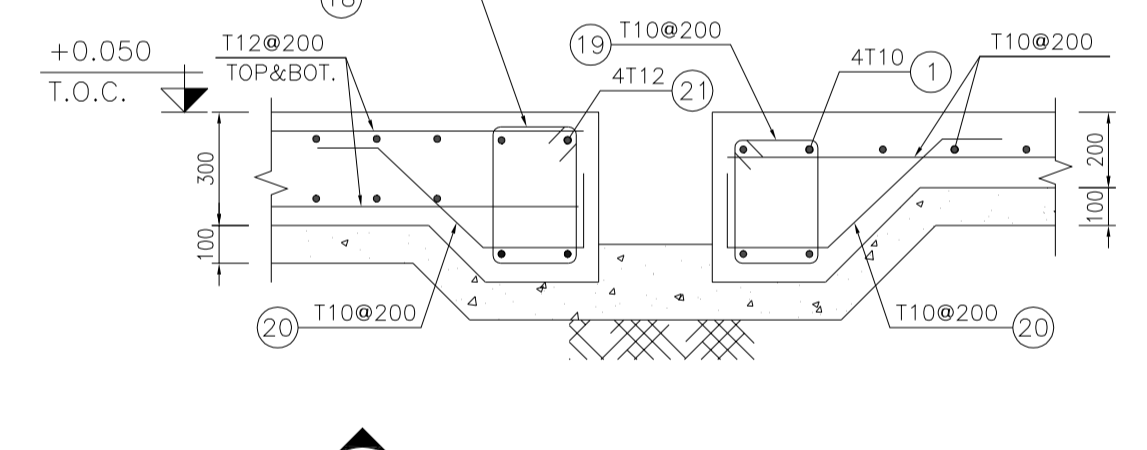
3/46 TYPICAL CHANNEL SECTION IN BOUNDARY SIDE



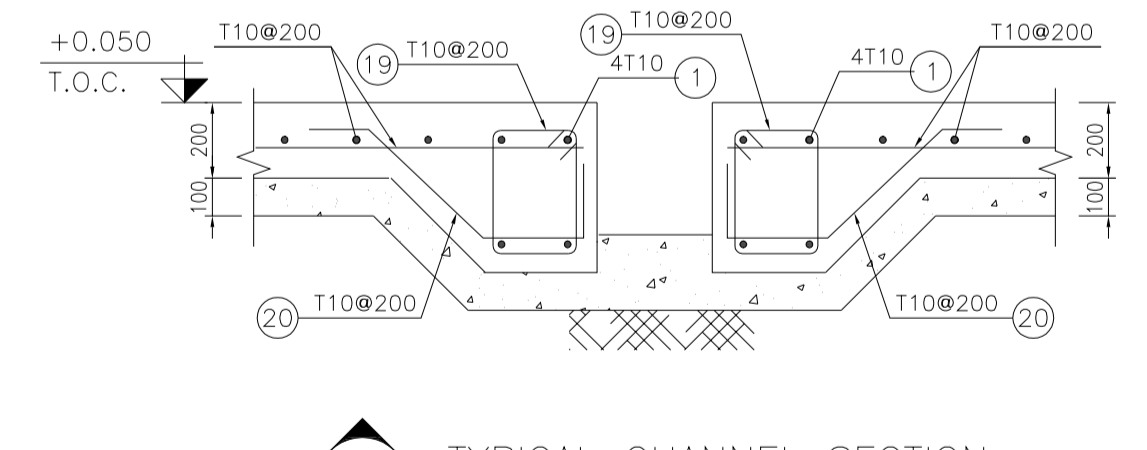
3/46 TYPICAL CHANNEL SECTION IN BOUNDARY SIDE



3/46 TYPICAL CHANNEL SECTION IN BOUNDARY SIDE



3/46 TYPICAL CHANNEL SECTION IN MIDDLE SIDE



3/46 TYPICAL CHANNEL SECTION IN MIDDLE SIDE

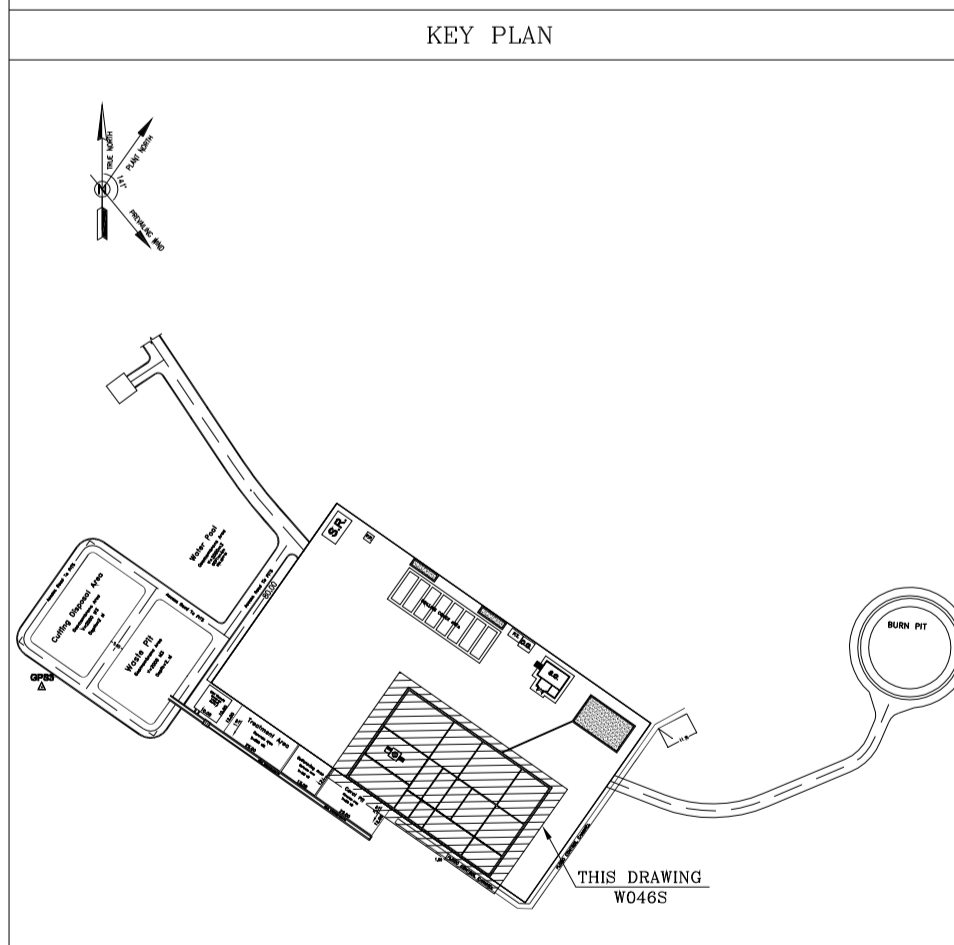
- NOTES**
- ALL COORDINATES ARE IN METER.
 - ALL DIMENSIONS ARE IN MILLIMETERS AND ELEVATIONS ARE IN METER.
 - ALL DRAWINGS SHALL BE CHECKED BY CONTRACTOR WITH RELATIVE DRAWINGS BEFORE CONSTRUCTION.
 - ACCORDING TO THE SPECIFICATION OF CONCRETE WORKS: "BK-GNRL-PEDCO-000-ST-SP-0001", 28 DAYS CHARACTERISTIC COMPRESSIVE STRENGTH OF MAIN CONCRETE IS 25 MPa (ON CYLINDRICAL SPECIMEN)
 - ACCORDING TO THE SPECIFICATION OF CONCRETE WORKS: "BK-GNRL-PEDCO-000-ST-SP-0001", 28 DAYS CHARACTERISTIC COMPRESSIVE STRENGTH OF LEAN CONCRETE IS 15 MPa (ON CYLINDRICAL SPECIMEN)
 - REINFORCING BARS SHALL BE S400 ACCORDING TO: ISIRI3132 AND INBC9 WITH MINIMUM TENSILE YIELD STRENGTH 400 N/mm²
 - MINIMUM FOUNDATION NET CONCRETE COVER SHALL BE 75 mm.
 - SPECIFICATIONS OF THERMO PLAST ACRYLIC COLOR, BASED ON No.3758 NATIONAL STANDARD CODE: DENSITY : 4.1-5.1 gr/cm³ THICKNESS : 300-400 MICRON GLOSS : DULL SOLID MATERIAL PERCENTAGE BY WEIGHT : 75%±2 SOLID MATERIAL PERCENTAGE BY VOLUME : 48%±2
 - JOINT SEALANT MATERIALS SHALL BE WETHER-RESISTANT POLYURETHANE OR SILICONE SCH AS "AEROLASTIC 1674" OR SIMILAR AND SHALL CONFORM TO BS-4254 FOR VERTICAL JOINTS IN WALLS. THE FILLING MATERIAL MUST BE APPROVED BY THE WORKSHOP SUPERVISION
 - CONTRACTION JOINTS SHALL BE CONSIDERED IN CONCRETE SLABS EVERY 6m.
 - GEODETIC PARAMETERS FOR COORDINATES ARE AS BELOW: HORIZONTAL COORDINATE SYSTEM: WGS84/UTM ZONE 39 ELLIPSOID : WORLD GEODETIC SYSTEM 1984 (WGS84) MAP PROJECTION: UNIVERSAL TRANSVERSE MERCATOR (UTM) VERTICAL DATUM: MSL
 - ACCORDING TO THE GEOTECHNICAL REPORT SHOULD BE USED OF CEMENT TYPE2.
 - JOINT FILLER SHALL BE ELASTIC MATERIAL. POLY ETHYLENE SHEETS OR CORK PARTICLES OR EQUIVALENT MATERIALS CAN BE USED
 - JOINT SEALANTS SHALL BE FOLLOWED ASTM D4299.
 - REFER TO THE PLOT PLAN FOR LOCATED FENCE IN THE CELLAR.
- ±0.00 = +57.00(R.G.L.)MSL

LEGEND AND ABBREVIATION

	REINFORCED CONCRETE	T.O.F.	TOP OF FOUNDATION
	LEAN CONCRETE	T.O.W.	TOP OF WALL
	CEMENT BLOCK WALL	T.O.C.	TOP OF CONCRETE
	GRAVEL	T.O.PIT	TOP OF PIT
	SUB GRADE	B.O.P.	BOTTOM OF PIPE
	SLOPE	R.G.L.	ROUGH GRADING LEVEL
		T.O.CH.	TOP OF CHANNEL

REFERENCE DRAWING

REFERENCE DRAWING	DRG. No.
SPECIFICATION FOR FENCE & GATE	BK-GNRL-PEDCO-000-CV-SP-0003
GENERAL NOTES - STEEL STRUCTURES	BK-GNRL-PEDCO-000-ST-DW-0011
GENERAL NOTES - REINFORCED CONCRETE STRUCTURES	BK-GNRL-PEDCO-000-ST-DW-0012
GENERAL CIVIL LAYOUT - W046S	BK-W046S-PEDCO-110-CV-PY-0001
ROUGH GRADING PLANS - W046S	BK-W046S-PEDCO-110-CV-DW-0001
STANDARD DRAWING FOR CULVERT & DETAILS	BK-GNRL-PEDCO-000-CV-DW-0014
STANDARD DETAILS OF MISCELLANEOUS ITEMS	BK-GNRL-PEDCO-000-CV-DW-0040
SPECIFICATION FOR EARTH WORK	BK-GNRL-PEDCO-000-CV-SP-0004
PLOT PLAN DRAWING - W046S	BK-W046S-PEDCO-110-PI-DW-0001
AREA ELECTRICAL CABLE ROUTE & SECTION LAYOUT OF WELL PADS	BK-SSQRL-PEDCO-110-EL-PY-0006
PLATFORM STRUCTURE DRAWING - W046S	BK-W046S-PEDCO-110-ST-DW-0012



REV.	DATE	P.O.I.S	PREP.	CHK.	APP.	AUT.
D04	MAY.2023	APC	R. BERLOURI	M.PAKHARIAN	A.M.MOHSSENI	** **
D03	DEC.2022	IPA	R. BERLOURI	M.PAKHARIAN	M.MEHRSHAD	** **
D02	SEP.2022	IPA	R. BERLOURI	M.PAKHARIAN	M.MEHRSHAD	** **
D01	JUL.2022	IPA	R. BERLOURI	M.PAKHARIAN	M.MEHRSHAD	** **
D00	MAY.2022	IPC	R. BERLOURI	M.PAKHARIAN	M.MEHRSHAD	** **

PROJECT NAME: BINAK OILFIELD DEVELOPMENT/SUB-SURFACE WORK PACKAGES W046S WELLHEAD FACILITIES

PROJECT NO.: 971020

EPC CONTRACTOR: HIRGAN ENERGY - DESIGN & INSPECTION COMPANIES

EPD/EPC CONTRACTOR(GC): PETROIRAN DEVELOPMENT COMPANY

امر و کلیه نسخ این نقشه و حق اقتباس متعلق به شرکت ملی مناطق نفت خیز جنوب میباشد.

THE ORIGINAL AND ALL COPIES OF THIS DRAWING TOGETHER WITH THE COPYRIGHT THEREIN ARE THE SOLE PROPERTY OF N.I.S.O.C./ FIELDS

BINAK OILFIELD DEVELOPMENT SUB-SURFACE WORK PACKAGES W046S WELLHEAD FACILITIES

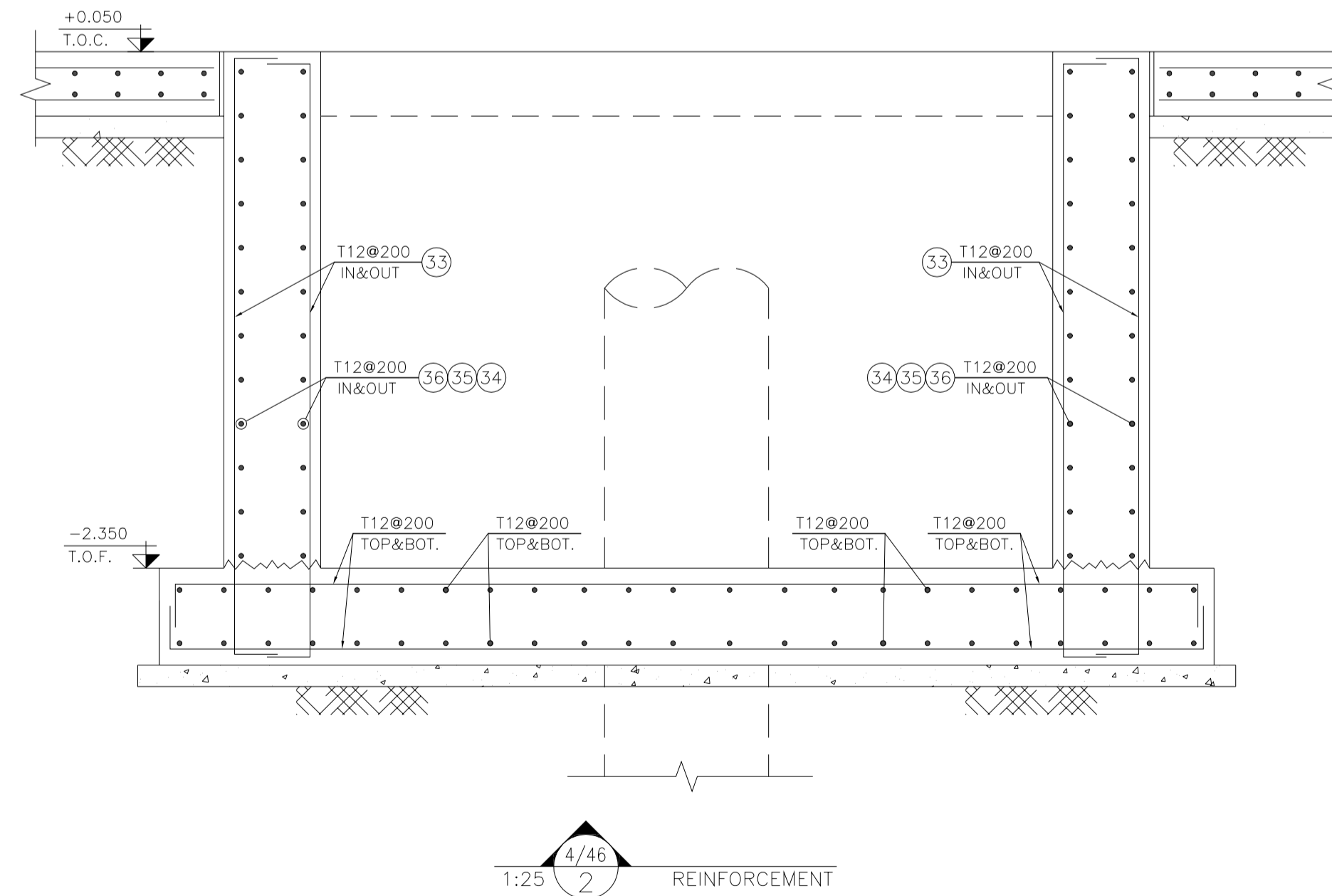
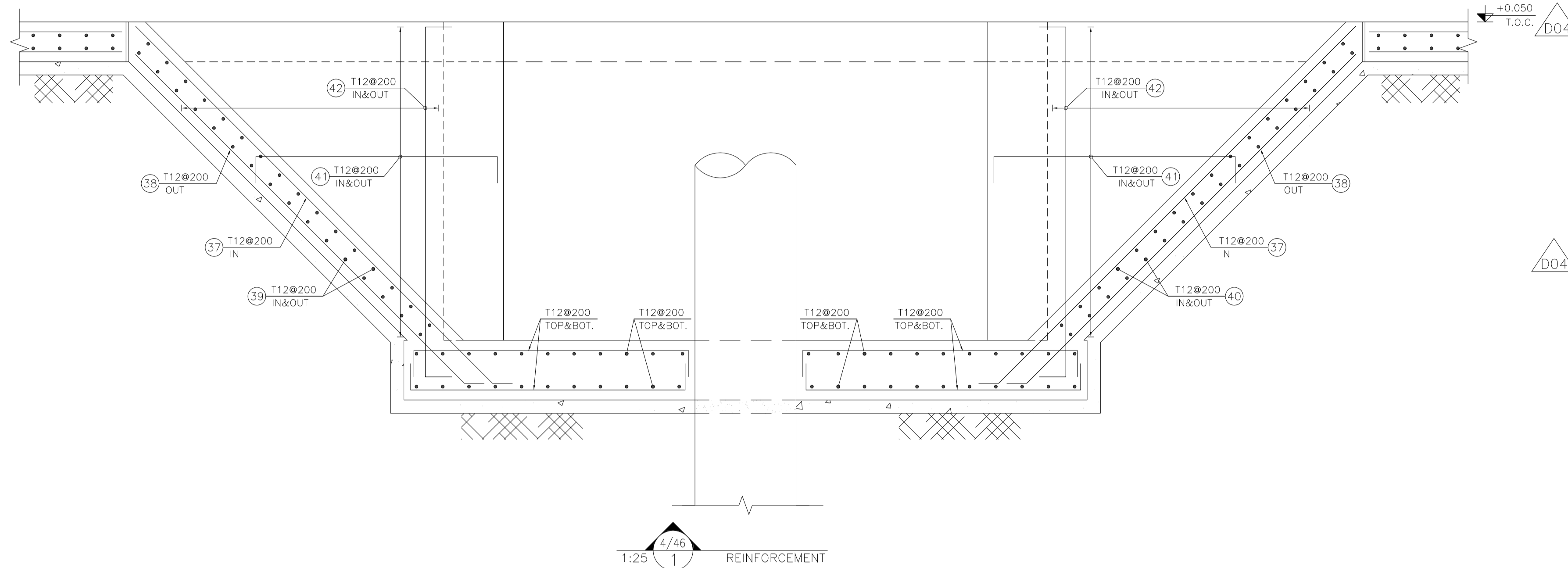
DATE	SCALE	DRAWING BY	CHECKED BY	PROJECT ENG.

DRAWING TITLE: CIVIL AND STRUCTURAL DRAWINGS-W046S WELLPAD AND RIG FOUNDATION DETAILS & SECTIONS

NO CONSTRUCTION PERMITTED UNLESS DRAWING APPROVED

SCALE	SIZE	DRAWING NO.	SHEET NO.	REV.	BUDGET REF.	LOCATION	SIZE	CLASS	SERIAL NO.	SHEET	REVISION
AS SHOWN	A1	BK-W046S-PEDCO-110-CV-PY-0002	4 OF 46	D04	053-073-9184	F	4	S	707854	4	D04

BAR BENDING SCHEDULE - WELLPAD & CELLAR							
Pos	Spec.	Shape	L/A	No.	T10	T12	T16
1	T10	12000	12.00	775	9300.00		
2	T10	9000	9.00	478	4302.00		
3	T10	8450	8.45	130	1098.50		
4	T10	5550	5.55	121	671.55		
5	T10	3550	3.55	191	670.05		
6	T10	3750	3.75	80	300.00		
7	T10	10250	10.25	70	717.50		
8	T10	6250	6.25	70	737.50		
9	T10	9850	5.85	222	1298.70		
10	T10	4350	4.35	336	1461.6		
11	T10	5250	5.25	206	1081.50		
12	T10	7950	7.95	206	1637.70		
13	T10	9750	9.75	100	975.00		
14	T10	6850	6.85	3	20.55		
15	T10	8550	8.55	3	25.65		
16	T10	6000	6.00	26	156.00		
17	T10	300 350 100	1.50	925	1387.50		
18	T10	300 150 100	1.10	320	352.00		
19	T10	250 150 100	1.00	1950	1950.00		
20	T10	150 200 400 150	0.90	3625	3262.50		
21	T12	12000	12.00	88		1056.00	
22	T12	8500	8.50	80		680.00	
23	T12	11850	11.85	108		1279.80	
24	T12	4950	4.95	48		237.60	
25	T12	3700	3.70	48		177.60	
26	T12	4500	4.50	48		216.00	
27	T12	8400	8.40	24		201.60	
28	T12	6800	6.80	16		108.80	
29	T12	200 1900 200	2.30	16		36.80	
30	T12	200 2000 200	2.40	16		38.40	
31	T12	200 5000 200	5.40	40		216.00	
32	T12	200 4750 200	5.15	44		226.60	
33	T12	200 2700 200	3.10	84		260.40	
34	T12	200 4400 200	4.80	48		230.40	
35	T12	200 1400 200	1.80	48		86.40	
36	T12	200 950 200	1.35	48		64.80	
37	T12	200 3800	4.00	24		96.00	
38	T12	200 3500	3.70	24		88.80	
39	T12	200 2550 200	2.95	32		94.40	
40	T12	200 1650 200	2.05	32		65.60	
41	T12	200 700-2700 200	Vor	48		100.80	
42	T12	200 300-2300 200	Vor	56		95.20	
43	T10	150 950 150	1.25	710	887.50		
44	T10	150 1350 150	1.65	220	363.00		
45	T16	12000	12.00	42		504.00	
46	T16	6850	6.85	3		20.56	
47	T16	8550	8.55	3		25.65	
48	T16	6000	6.00	6		36.00	
TOTAL LENGTH OR AREA (m/m2)					32656.30	5658.00	586.21
UNIT WEIGTH (Kg)					0.617	0.888	1.578
WEIGTH (Kg)					20148.94	5024.31	925.04
GRAND TOTAL (Kg)					26100		



BAR BENDING SCHEDULE - DEWATERING					
Pos	Spec.	Shape	L/A	No.	T10
1	T10	12000	12.00	60	720.0
2	T10	3450	3.45	60	207.0
3	T10	11850	11.85	75	888.75
TOTAL LENGTH OR AREA (m/m2)					1815.75
UNIT WEIGTH (Kg)					0.617
WEIGTH (Kg)					1120.31
GRAND TOTAL (Kg)					1130

REV.	DATE	P.O.I.S	PREP.	CHK.	APP.	AUT.
D04	MAY.2023	APC	R. BERLOURI	M.PAKHARIAN	A.M.MOHSANI	** **
D03	DEC.2022	IPA	R. BERLOURI	M.PAKHARIAN	M.MEHRSHAD	** **
D02	SEP.2022	IPA	R. BERLOURI	M.PAKHARIAN	M.MEHRSHAD	** **
D01	JUL.2022	IPA	R. BERLOURI	M.PAKHARIAN	M.MEHRSHAD	** **
D00	MAY.2022	IPC	R. BERLOURI	M.PAKHARIAN	M.MEHRSHAD	** **

NOTES

- ALL COORDINATES ARE IN METER.
- ALL DIMENSIONS ARE IN MILLIMETERS AND ELEVATIONS ARE IN METER.
- ALL DRAWINGS SHALL BE CHECKED BY CONTRACTOR WITH RELATIVE DRAWINGS BEFORE CONSTRUCTION.
- ACCORDING TO THE SPECIFICATION OF CONCRETE WORKS: "BK-GNRL-PEDCO-000-ST-SP-0001", 28 DAYS CHARACTERISTIC COMPRESSIVE STRENGTH OF MAIN CONCRETE IS 25 MPa (ON CYLINDRICAL SPECIMEN)
- ACCORDING TO THE SPECIFICATION OF CONCRETE WORKS: "BK-GNRL-PEDCO-000-ST-SP-0001", 28 DAYS CHARACTERISTIC COMPRESSIVE STRENGTH OF LEAN CONCRETE IS 15 MPa (ON CYLINDRICAL SPECIMEN)
- REINFORCING BARS SHALL BE S400 ACCORDING TO: ISIRI3132 AND INBC9 WITH MINIMUM TENSILE YIELD STRENGTH 400 N/mm²
- MINIMUM FOUNDATION NET CONCRETE COVER SHALL BE 75 mm.
- SPECIFICATIONS OF THERMO PLAST ACRYLIC COLOR, BASED ON No.3758 NATIONAL STANDARD CODE: DENSITY : 4.1-5.1 gr/cm³ THICKNESS : 300-400 MICRON GLOSS : DULL
- SOLID MATERIAL PERCENTAGE BY WEIGHT : 75%±2 SOLID MATERIAL PERCENTAGE BY VOLUME : 48%±2
- JOINT SEALANT MATERIALS SHALL BE WEATHER-RESISTANT POLYURETHANE OR SILICONE SUCH AS "AEROLASTIC 1674" OR SIMILAR AND SHALL CONFORM TO BS-4254 FOR VERTICAL JOINTS IN WALLS. THE FILLING MATERIAL MUST BE APPROVED BY THE WORKSHOP SUPERVISION
- CONTRACTION JOINTS SHALL BE CONSIDERED IN CONCRETE SLABS EVERY 6m.
- GEODETIC PARAMETERS FOR COORDINATES ARE AS BELOW: HORIZONTAL COORDINATE SYSTEM: WGS84/UTM ZONE 39 ELLIPSOID : WORLD GEODETIC SYSTEM 1984 (WGS84) MAP PROJECTION: UNIVERSAL TRANSVERSE MERCATOR (UTM) VERTICAL DATUM: MSL
- ACCORDING TO THE GEOTECHNICAL REPORT SHOULD BE USED OF CEMENT TYPE2.
- JOINT FILLER SHALL BE ELASTIC MATERIAL. POLY ETHYLENE SHEETS OR CORK PARTICLES OR EQUIVALENT MATERIALS CAN BE USED
- JOINT SEALANTS SHALL BE FOLLOWED ASTM D2499.
- REFER TO THE PLOT PLAN FOR LOCATED FENCE IN THE CELLAR.

±0.00 = +57.00(R.G.L.)MSL

LEGEND AND ABBREVIATION

	REINFORCED CONCRETE	T.O.F.	TOP OF FOUNDATION
	LEAN CONCRETE	T.O.W.	TOP OF WALL
	CEMENT BLOCK WALL	T.O.C.	TOP OF CONCRETE
	GRAVEL	T.O.PIT	TOP OF PIT
	SUB GRADE	B.O.P.	BOTTOM OF PIPE
	SLOPE	R.G.L.	ROUGH GRADING LEVEL
		T.O.CH.	TOP OF CHANNEL

REFERENCE DRAWING

REFERENCE DRAWING	DRG. No.
SPECIFICATION FOR FENCE & GATE	BK-GNRL-PEDCO-000-CV-SP-0003
GENERAL NOTES - STEEL STRUCTURES	BK-GNRL-PEDCO-000-ST-DW-0011
GENERAL NOTES - REINFORCED CONCRETE STRUCTURES	BK-GNRL-PEDCO-000-ST-DW-0012
GENERAL CIVIL LAYOUT - W046S	BK-W046S-PEDCO-110-CV-PY-0001
ROUGH GRADING PLANS - W046S	BK-W046S-PEDCO-110-CV-DW-0001
STANDARD DRAWING FOR CULVERT & DETAILS	BK-GNRL-PEDCO-000-CV-DW-0014
STANDARD DETAILS OF MISCELLANEOUS ITEMS	BK-GNRL-PEDCO-000-CV-DW-0040
SPECIFICATION FOR EARTH WORK	BK-GNRL-PEDCO-000-CV-SP-0004
PLOT PLAN DRAWING - W046S	BK-W046S-PEDCO-110-PI-DW-0001
AREA ELECTRICAL CABLE ROUTE & SECTION LAYOUT OF WELL PADS	BK-SSGRL-PEDCO-110-EL-PY-0006
PLATFORM STRUCTURE DRAWING - W046S	BK-W046S-PEDCO-110-ST-DW-0012

KEY PLAN

PROJECT NAME: BINAK OILFIELD DEVELOPMENT/SUB-SURFACE WORK PACKAGES W046S WELLHEAD FACILITIES

PROJECT NO.: 971020

EPC CONTRACTOR: HIRGAN ENERGY - DESIGN & INSPECTION COMPANIES

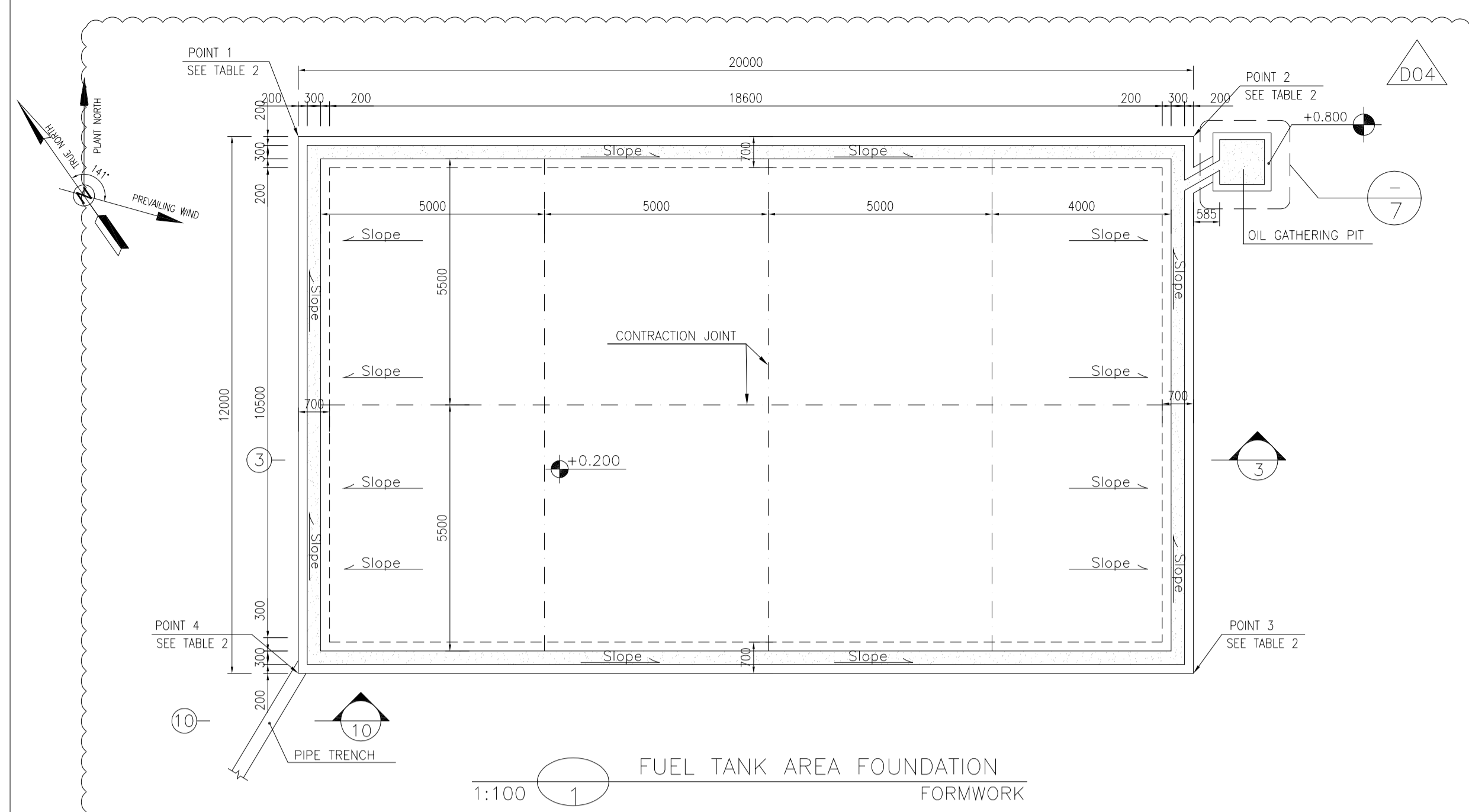
EPD/EPC CONTRACTOR(GC): PETROIRAN DEVELOPMENT COMPANY

DRAWING TITLE: CIVIL AND STRUCTURAL DRAWINGS-W046S GAS OIL PAD FORMWORK & REINFORCEMENT PLAN-SECTION

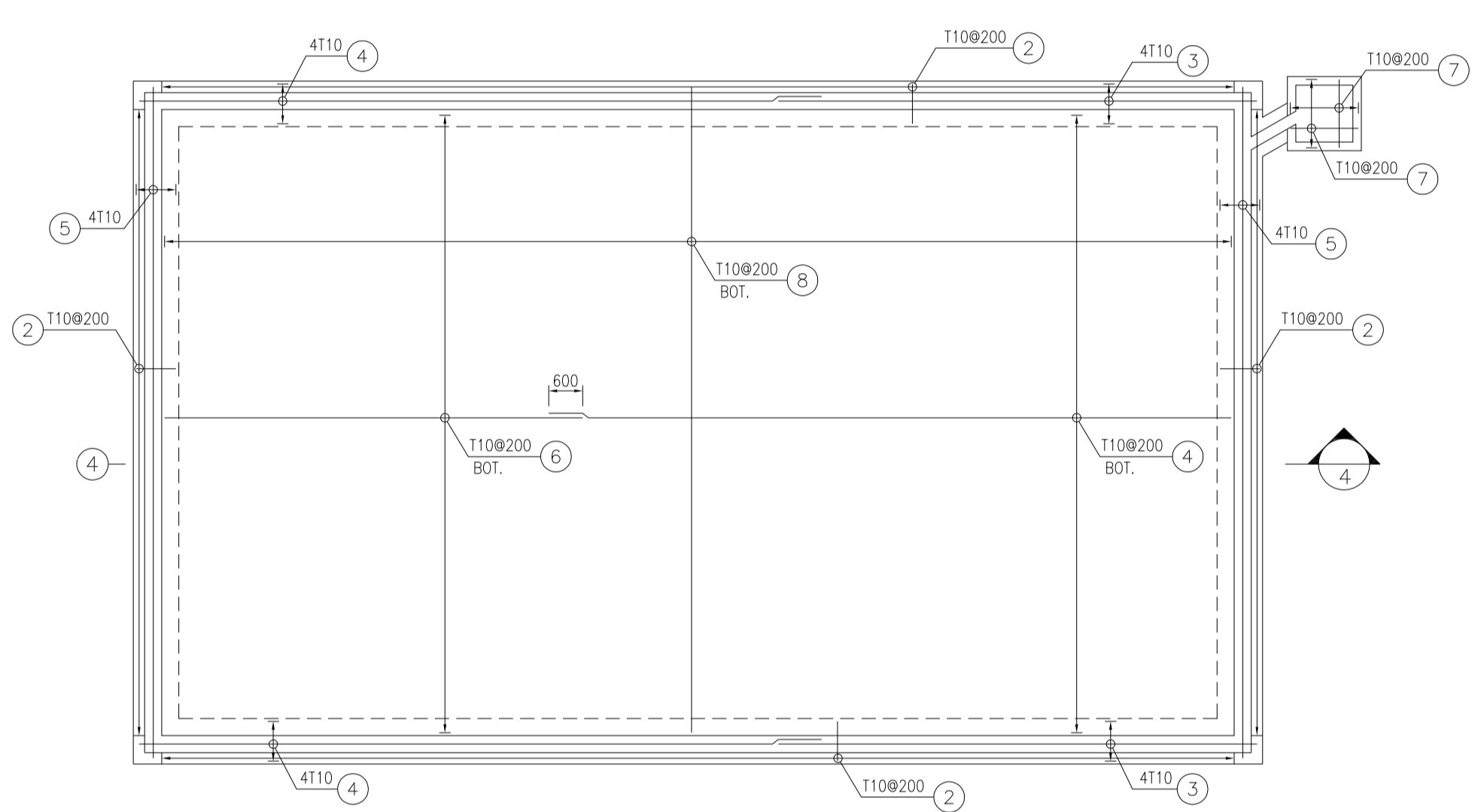
SCALE	SIZE	DRAWING NO.	SHEET NO.	REV.	BUDGET REF.	LOCATION	SIZE	CLASS	SERIAL NO.	SHEET	REVISION
AS SHOWN	A1	BK-W046S-PEDCO-110-CV-PY-0002	5 OF 46	D04	053-073-9184	F	4	S	707854	5	D04

NO CONSTRUCTION PERMITTED UNLESS DRAWING APPROVED

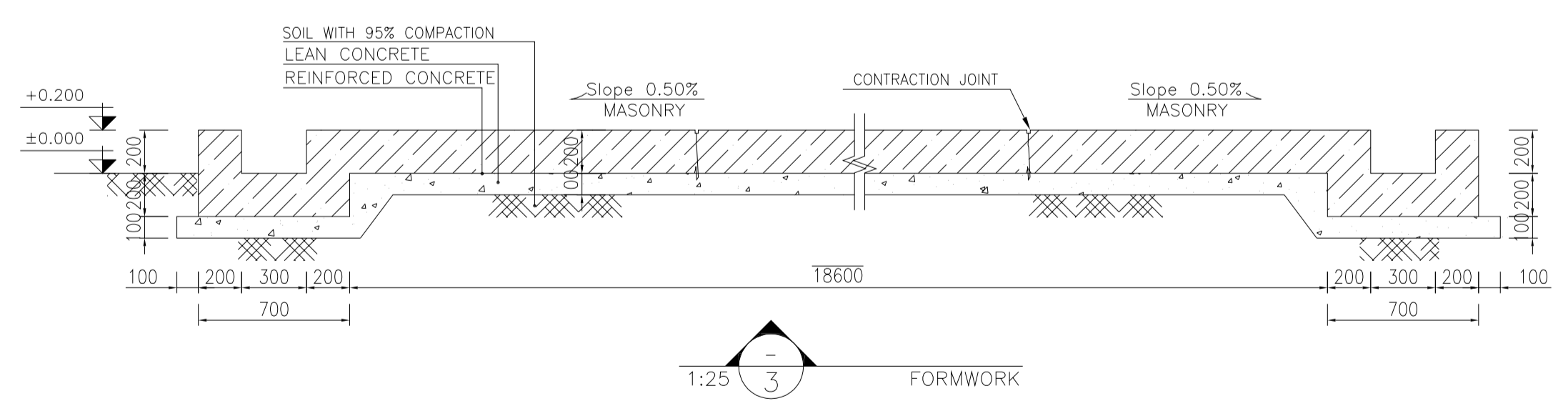
APPROVED FOR CONSTRUCTION BY: DATE:



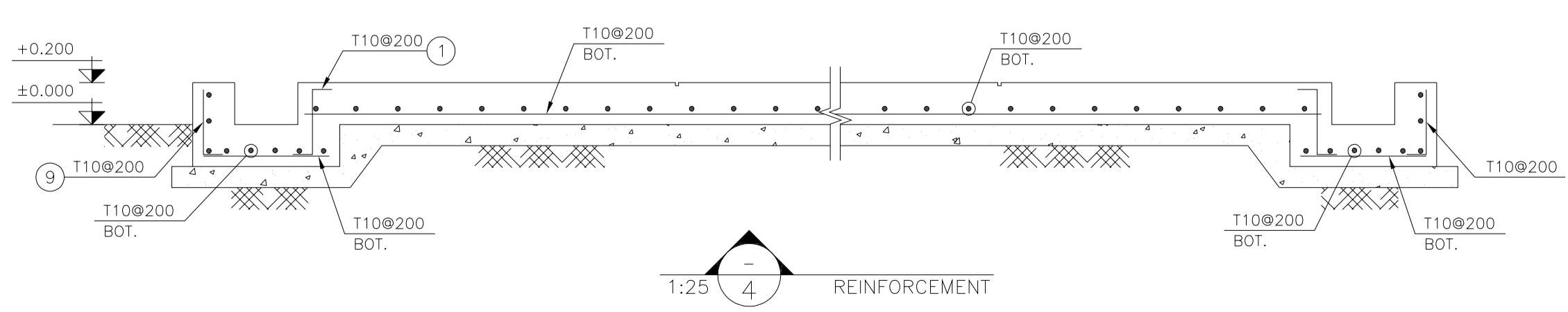
1:100 (1) FUEL TANK AREA FOUNDATION FORMWORK



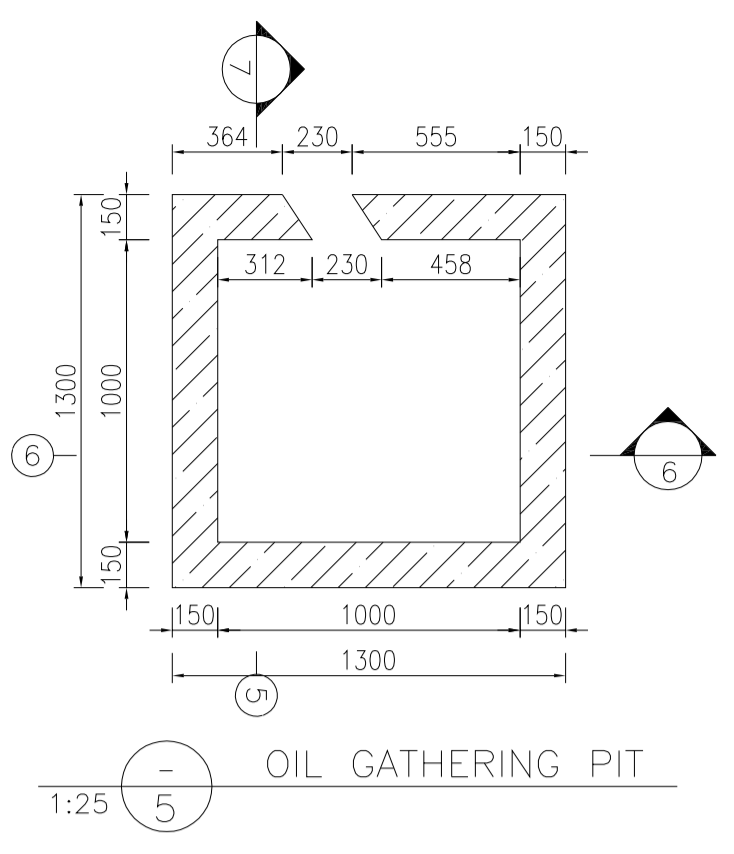
1:100 (2) FUEL TANK AREA FOUNDATION REINFORCEMENT



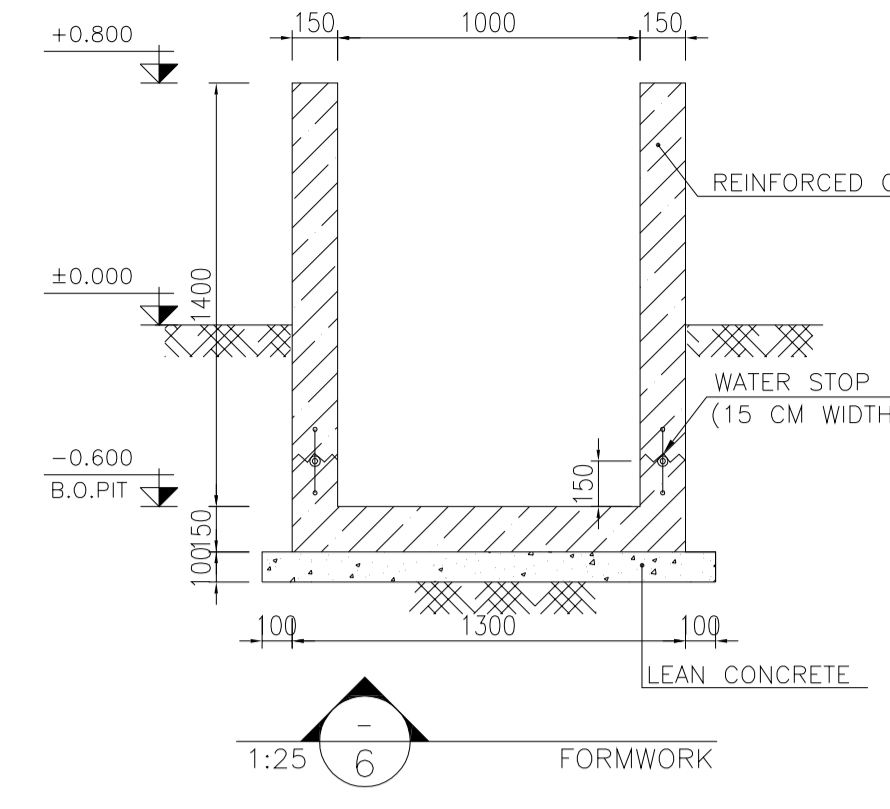
1:25 (3) FORMWORK



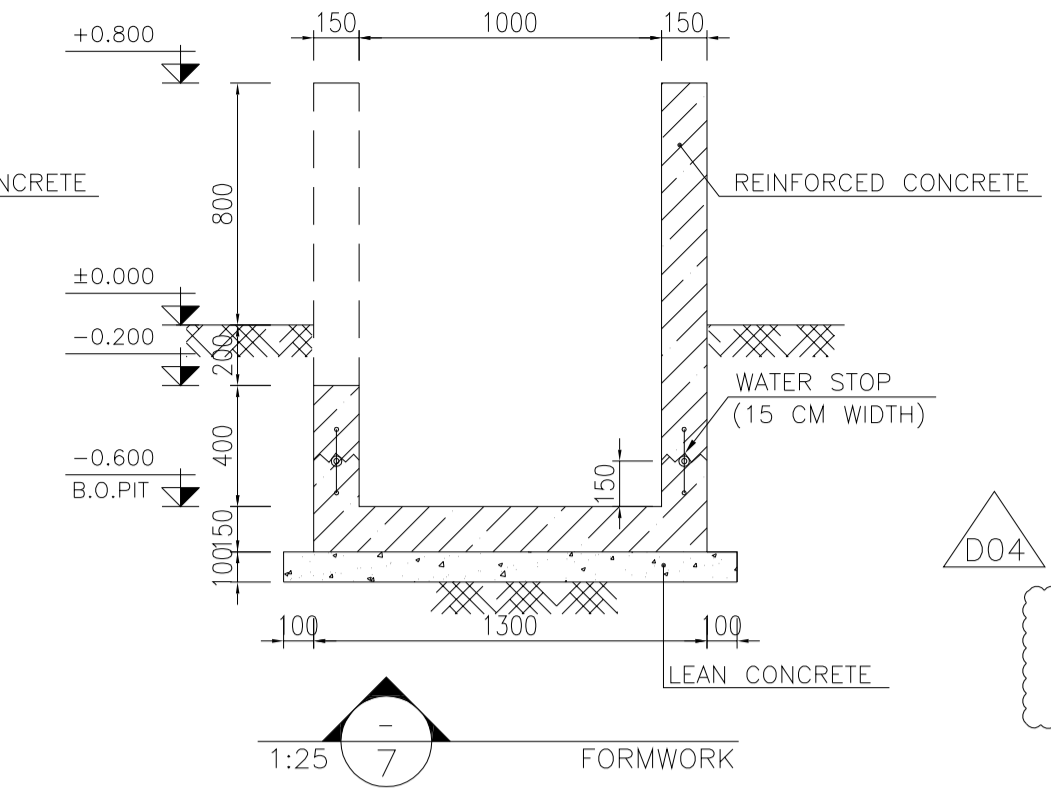
1:25 (4) REINFORCEMENT



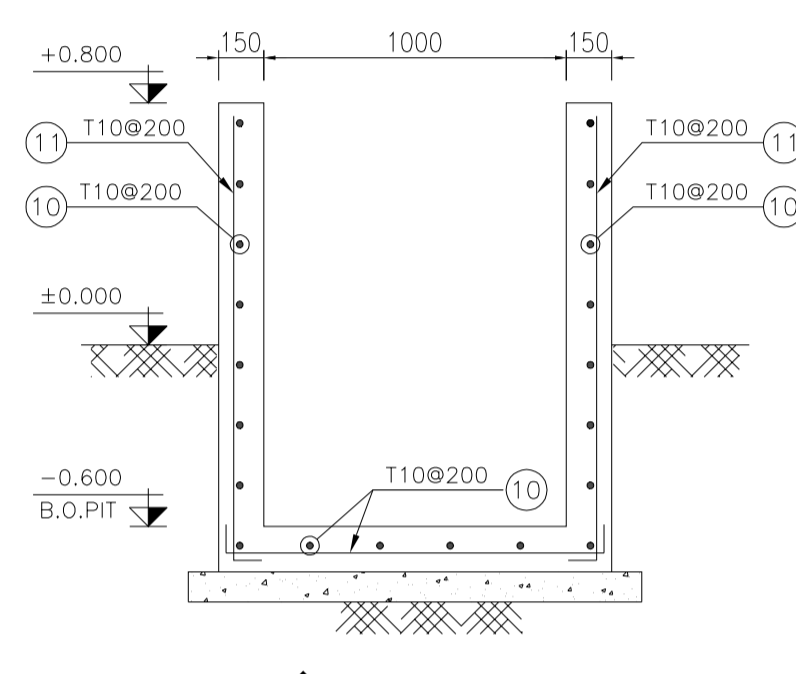
1:25 (5) OIL GATHERING PIT



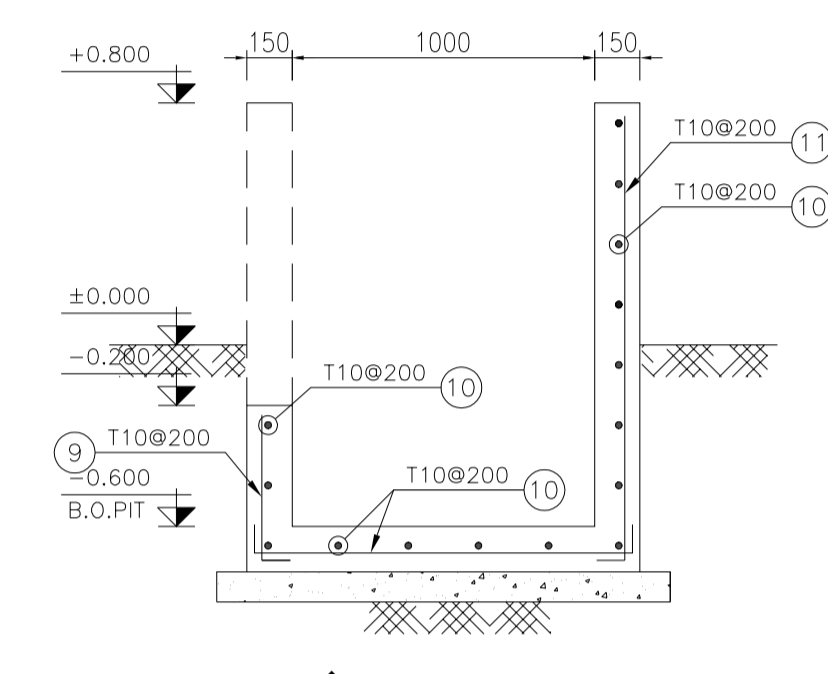
1:25 (6) FORMWORK



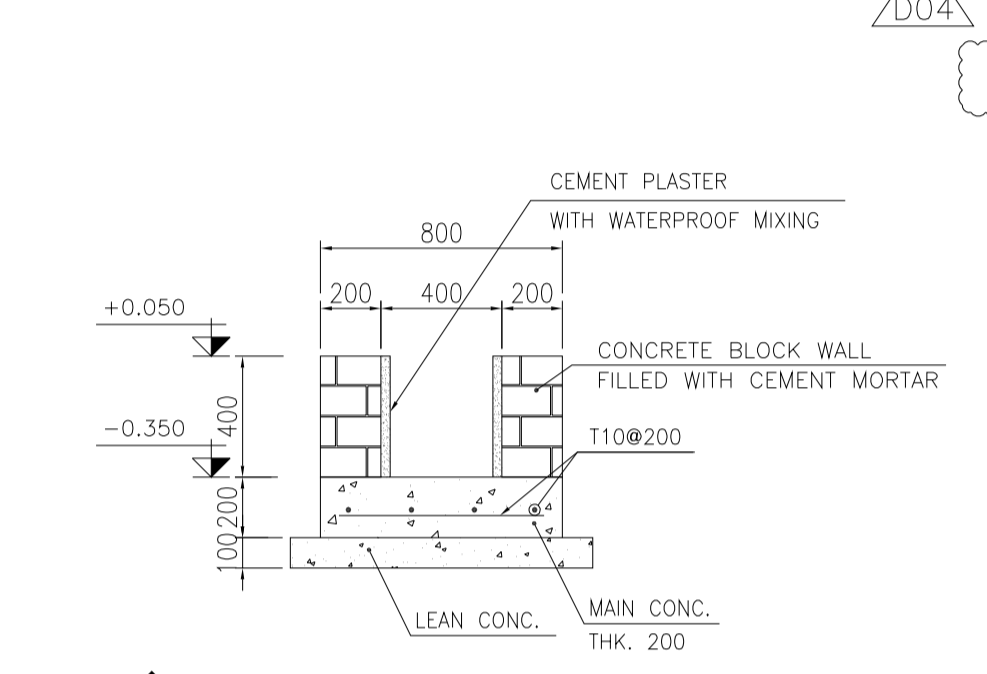
1:25 (7) FORMWORK



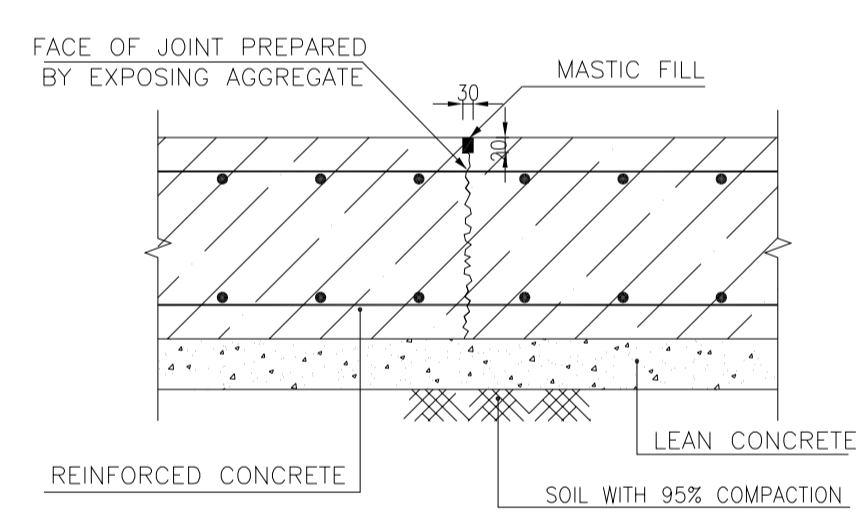
1:25 (8) REINFORCEMENT



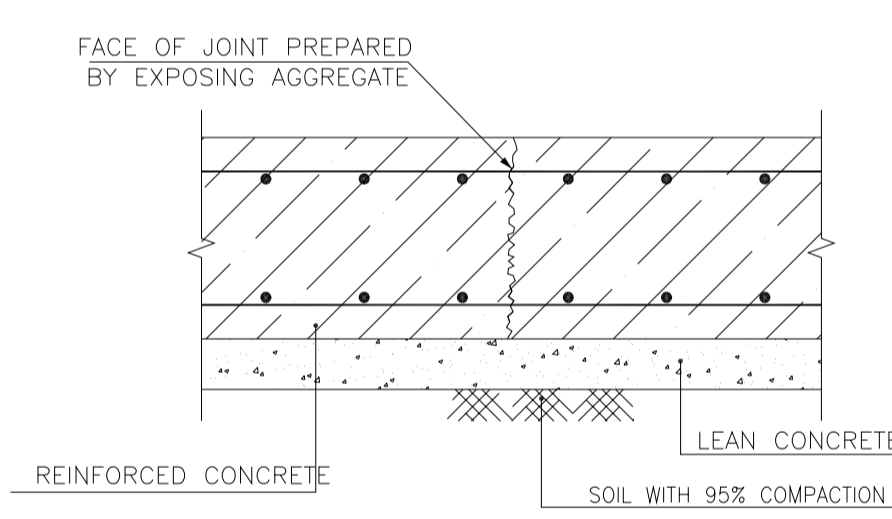
1:25 (9) REINFORCEMENT



1:25 (10) TYPICAL SECTION OF PIPE TRENCH



N.T.S. (11) TYPICAL CONTRACTION JOINT EVERY 4000



N.T.S. (12) TYPICAL CONSTRUCTION JOINT

Pos	Spec.	Shape	L/A	No.	T10
1	T10	1250 150	1.550	312	483.600
2	T10	700	0.700	306	214.200
3	T10	8415	8.415	8	67.320
4	T10	12000	12.000	64	768.000
5	T10	11800	11.800	8	94.400
6	T10	7350	7.350	56	411.600
7	T10	1650	1.650	14	23.100
8	T10	9000	9.000	95	855.000
9	T10	150 1250	1.400	314	439.600
10	T10	1150	1.15	37	42.550
11	T10	150 1400	1.55	34	52.700
TOTAL LENGTH OR AREA (m/m ²)					3452.07
UNIT WEIGHT (Kg)					0.617
WEIGHT (Kg)					2129.93
GRAND TOTAL (Kg)					2130 Kg.

POINT	E	N
POINT 1	E=435675.472	N=3294400.897
POINT 2	E=435691.856	N=3294389.427
POINT 3	E=435684.974	N=3294379.596
POINT 4	E=435668.757	N=3294391.305

REV.	DATE	P.O.I.S	PREP.	CHK.	APP.	AUT.
D04	MAY.2023	APC	R. BERLOURI	M.PAKHARIAN	A.M.MOHSSENI	***
D03	DEC.2022	IPA	R. BERLOURI	M.PAKHARIAN	M.MEHRSHAD	***
D02	SEP.2022	IPA	R. BERLOURI	M.PAKHARIAN	M.MEHRSHAD	***
D01	JUL.2022	IPA	R. BERLOURI	M.PAKHARIAN	M.MEHRSHAD	***
D00	MAY.2022	IPC	R. BERLOURI	M.PAKHARIAN	M.MEHRSHAD	***

PROJECT NAME: BINAK OILFIELD DEVELOPMENT/SUB-SURFACE WORK PACKAGES W046S WELLHEAD FACILITIES

PROJECT NO.: 971020

EPC CONTRACTOR: HIRGAN ENERGY - DESIGN & INSPECTION COMPANIES

EPD/EPC CONTRACTOR(GC): PETROIRAN DEVELOPMENT COMPANY

SCALE	SIZE	DRAWING NO.	SHEET NO.	REV.	BUDGET REF.	LOCATION	SIZE	CLASS	SERIAL NO.	SHEET	REVISION
AS SHOWN	A1	BK-W046S-PEDCO-110-CV-PY-0002	6 OF 46	D04	053-073-9184	F	4	S	707854	6	D04

- NOTES**
- ALL COORDINATES ARE IN METER.
 - ALL DIMENSIONS ARE IN MILLIMETERS AND ELEVATIONS ARE IN METER.
 - ALL DRAWINGS SHALL BE CHECKED BY CONTRACTOR WITH RELATIVE DRAWINGS BEFORE CONSTRUCTION.
 - ACCORDING TO THE SPECIFICATION OF CONCRETE WORKS: "BK-GNRL-PEDCO-000-ST-SP-0001", 28 DAYS CHARACTERISTIC COMPRESSIVE STRENGTH OF MAIN CONCRETE IS 25 MPa (ON CYLINDRICAL SPECIMEN)
 - ACCORDING TO THE SPECIFICATION OF CONCRETE WORKS: "BK-GNRL-PEDCO-000-ST-SP-0001", 28 DAYS CHARACTERISTIC COMPRESSIVE STRENGTH OF LEAN CONCRETE IS 15 MPa (ON CYLINDRICAL SPECIMEN)
 - REINFORCING BARS SHALL BE S400 ACCORDING TO ISIRI3132 AND INBC9 WITH MINIMUM TENSILE YIELD STRENGTH 400 N/mm²
 - MINIMUM FOUNDATION NET CONCRETE COVER SHALL BE 75 mm.
 - SPECIFICATIONS OF THERMO PLAST ACRYLIC COLOR, BASED ON No.3758 NATIONAL STANDARD CODE: DENSITY : 4.1-5.1 gr/cm³ THICKNESS : 300-400 MICRON GLOSS : DULL
 - SOLID MATERIAL PERCENTAGE BY WEIGHT : 75%±2 SOLID MATERIAL PERCENTAGE BY VOLUME : 48%±2
 - JOINT SEALANT MATERIALS SHALL BE WETHER-RESISTANT POLYURETHANE OR SILICONE SCH AS "AEROLASTIC 1674" OR SIMILAR AND SHALL CONFORM TO BS-4254 FOR VERTICAL JOINTS IN WALLS. THE FILLING MATERIAL MUST BE APPROVED BY THE WORKSHOP SUPERVISION
 - CONTRACTION JOINTS SHALL BE CONSIDERED IN CONCRETE SLABS EVERY 6m.
 - GEODETIC PARAMETERS FOR COORDINATES ARE AS BELOW: HORIZONTAL COORDINATE SYSTEM: WGS84/UTM ZONE 39 ELLIPSOID : WORLD GEODETIC SYSTEM 1984 (WGS84) MAP PROJECTION: UNIVERSAL TRANSVERSE MERCATOR (UTM) VERTICAL DATUM: MSL
 - ACCORDING TO THE GEOTECHNICAL REPORT SHOULD BE USED OF CEMENT TYPE2.
 - JOINT FILLER SHALL BE ELASTIC MATERIAL. POLY ETHYLENE SHEETS OR CORK PARTICLES OR EQUIVALENT MATERIALS CAN BE USED
 - JOINT SEALANTS SHALL BE FOLLOWED ASTM D4299.
 - REFER TO THE PLOT PLAN FOR LOCATED FENCE IN THE CELLAR.

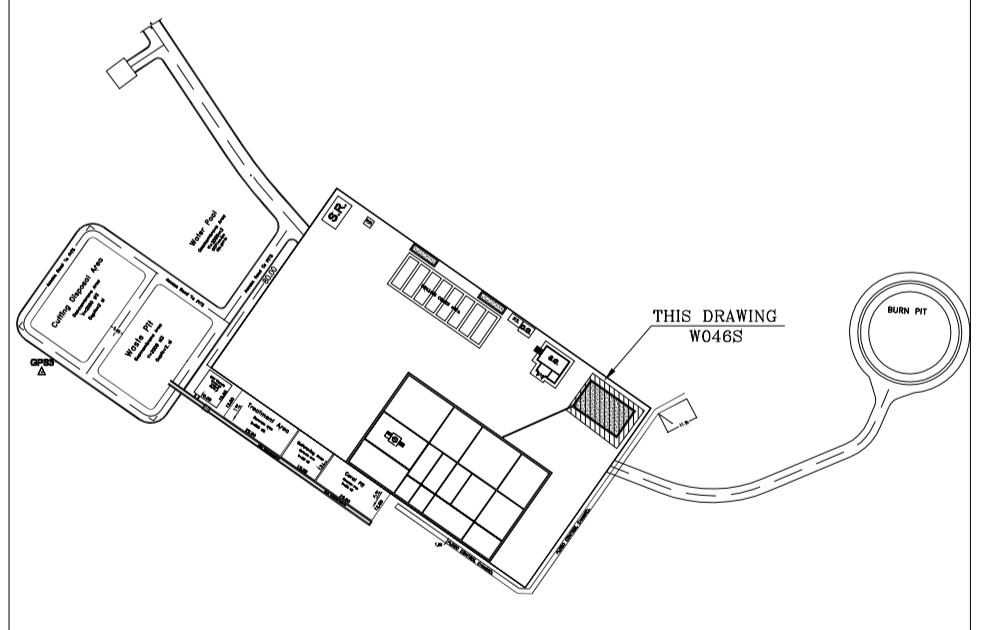
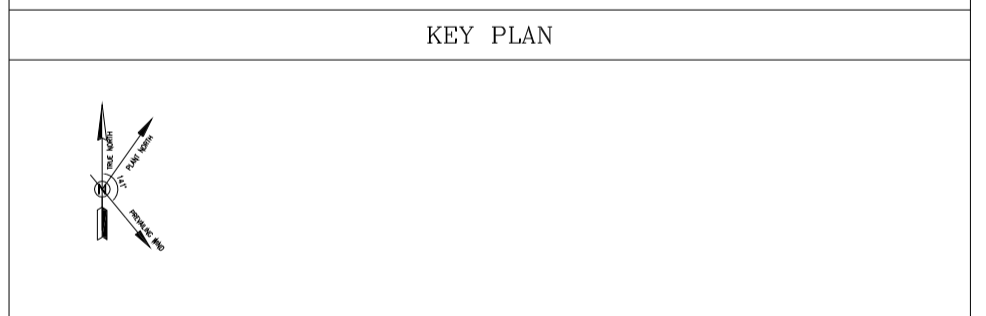
±0.00 = +57.00(R.G.L.)MSL

LEGEND AND ABBREVIATION

Symbol	Description	Symbol	Description
[Hatched Box]	REINFORCED CONCRETE	T.O.F.	TOP OF FOUNDATION
[Dotted Box]	LEAN CONCRETE	T.O.W.	TOP OF WALL
[Cross-hatched Box]	CEMENT BLOCK WALL	T.O.C.	TOP OF CONCRETE
[Diagonal Lines]	GRAVEL	T.O.PIT	TOP OF PIT
[Horizontal Lines]	SUB GRADE	B.O.P.	BOTTOM OF PIPE
[Wavy Lines]	SLOPE	R.G.L.	ROUGH GRADING LEVEL
		T.O.CH.	TOP OF CHANNEL

REFERENCE DRAWING

REFERENCE DRAWING	DRG. No.
SPECIFICATION FOR FENCE & GATE	BK-GNRL-PEDCO-000-CV-SP-0003
GENERAL NOTES - STEEL STRUCTURES	BK-GNRL-PEDCO-000-ST-DW-0011
GENERAL NOTES - REINFORCED CONCRETE STRUCTURES	BK-GNRL-PEDCO-000-ST-DW-0012
GENERAL CIVIL LAYOUT - W046S	BK-W046S-PEDCO-110-CV-PY-0001
ROUGH GRADING PLANS - W046S	BK-W046S-PEDCO-110-CV-DW-0001
STANDARD DRAWING FOR CULVERT & DETAILS	BK-GNRL-PEDCO-000-CV-DW-0014
STANDARD DETAILS OF MISCELLANEOUS ITEMS	BK-GNRL-PEDCO-000-CV-DW-0040
SPECIFICATION FOR EARTH WORK	BK-GNRL-PEDCO-000-CV-SP-0004
PLOT PLAN DRAWING - W046S	BK-W046S-PEDCO-110-PI-DW-0001
AREA ELECTRICAL CABLE ROUTE & SECTION LAYOUT OF WELL PADS	BK-SSQRL-PEDCO-110-EL-PY-0006
PLATFORM STRUCTURE DRAWING - W046S	BK-W046S-PEDCO-110-ST-DW-0012



امیر و کلیه نسخ این نقشه و حق اقتباس متعلق به شرکت ملی مناطق نفت خیز جنوب میباشد.

THE ORIGINAL AND ALL COPIES OF THIS DRAWING TOGETHER WITH THE COPYRIGHT THEREIN ARE THE SOLE PROPERTY OF N.I.S.O.C./ FIELDS

DATE	SCALE	DRAWING BY	CHECKED BY	PROJECT ENG.

NO CONSTRUCTION PERMITTED UNLESS DRAWING APPROVED

APPROVED FOR CONSTRUCTION	BY:	DATE:

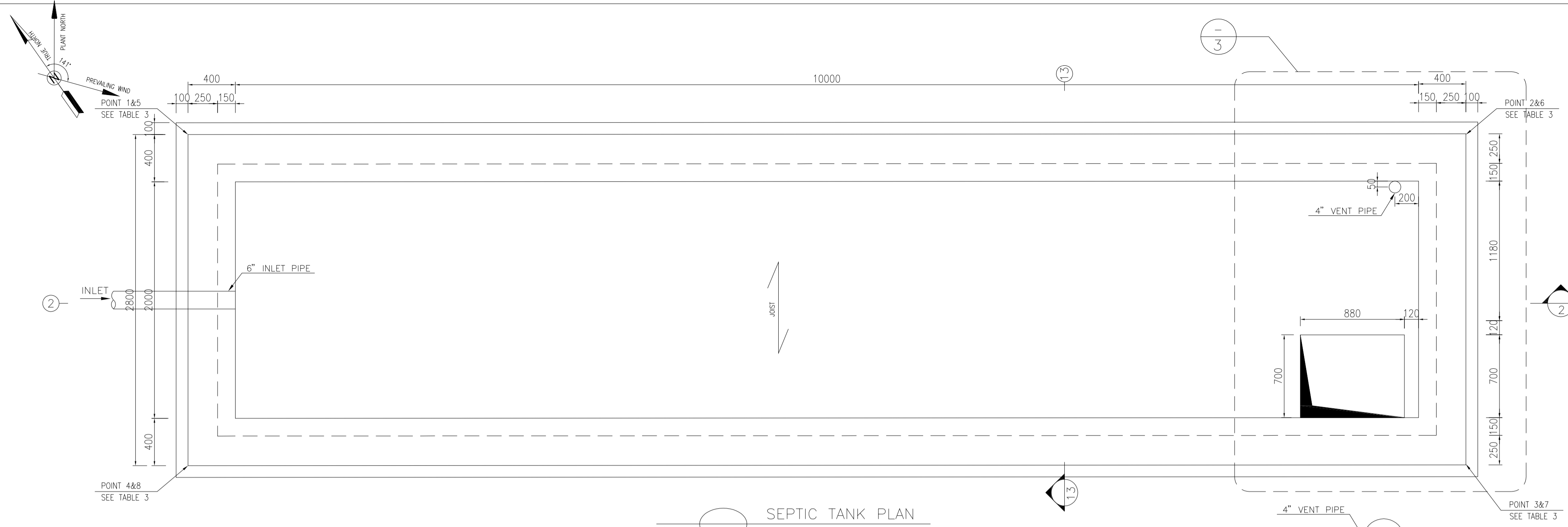
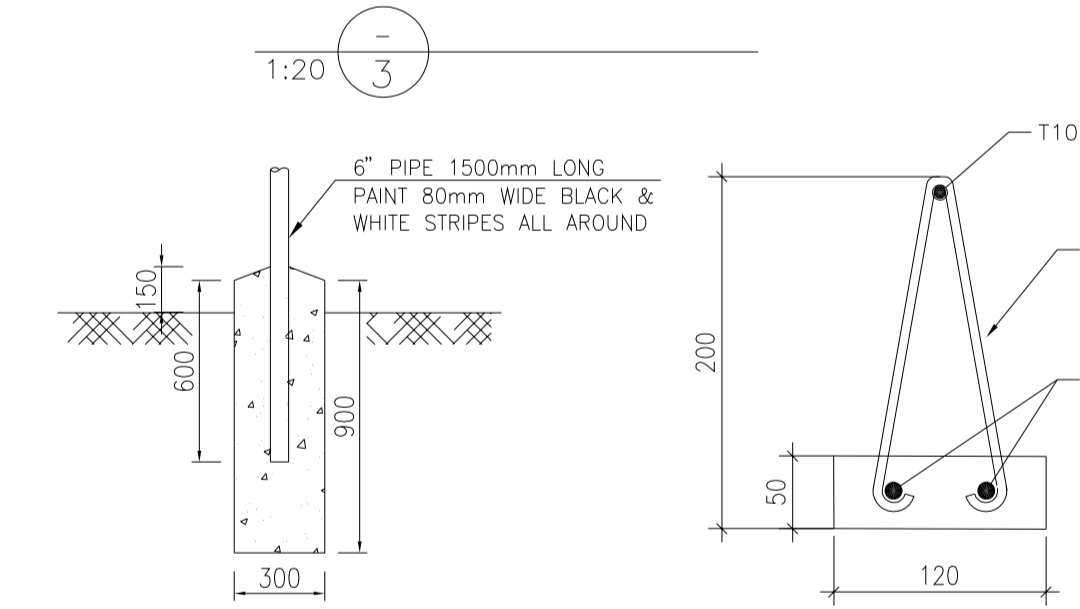
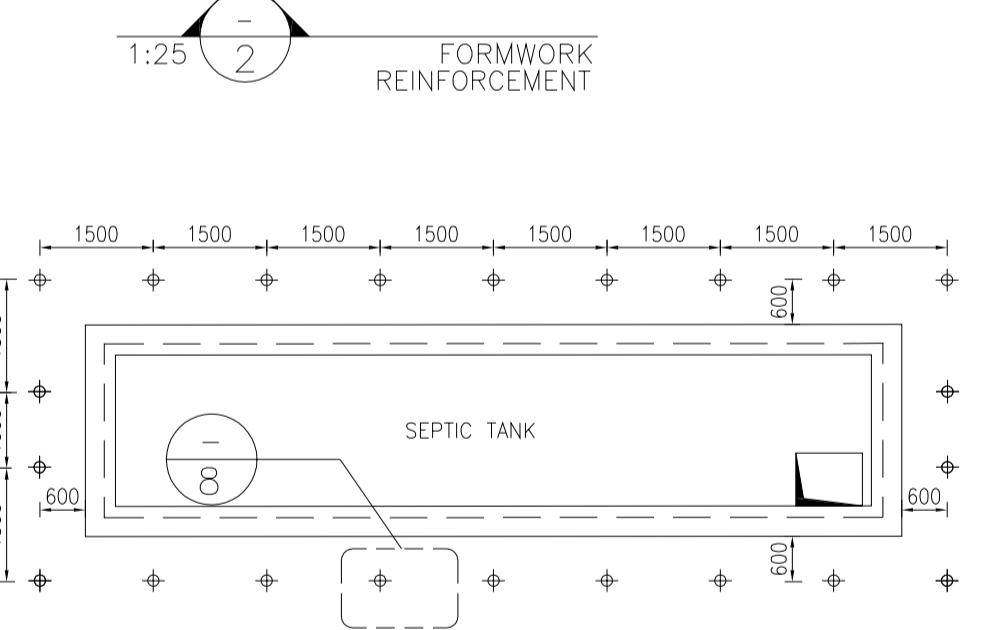
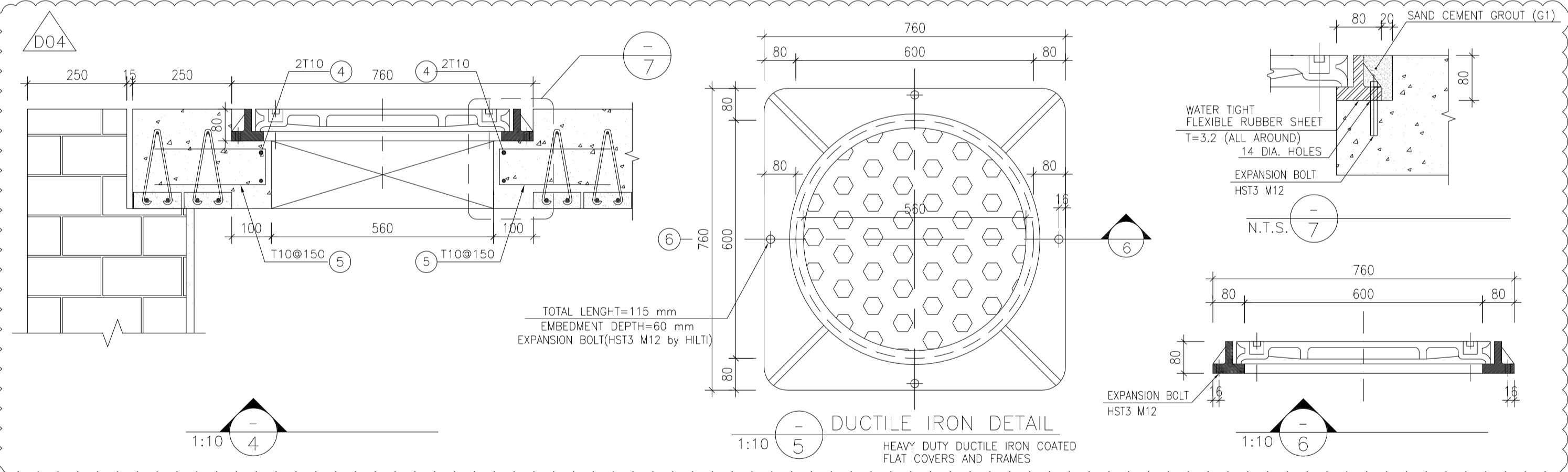
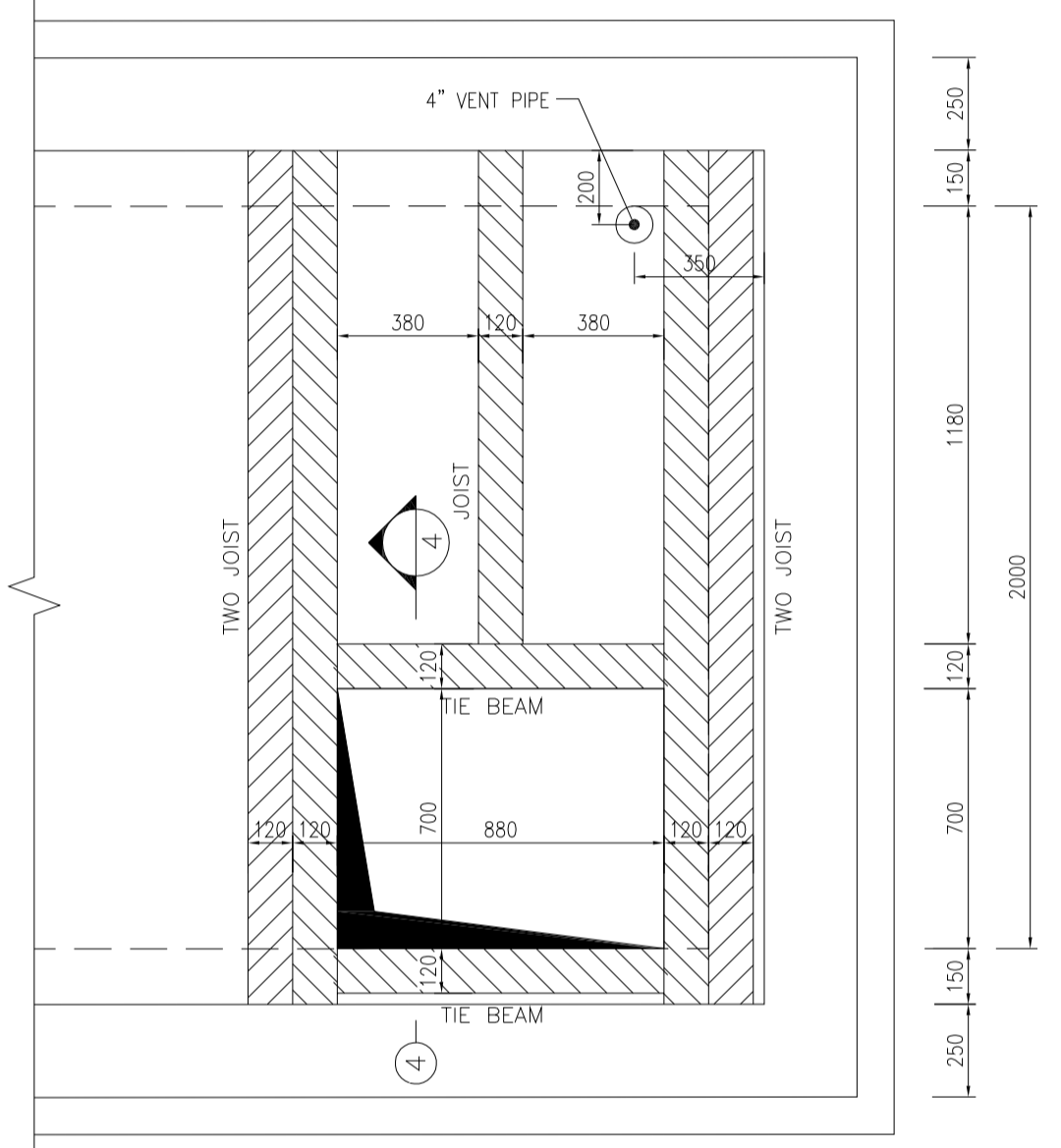
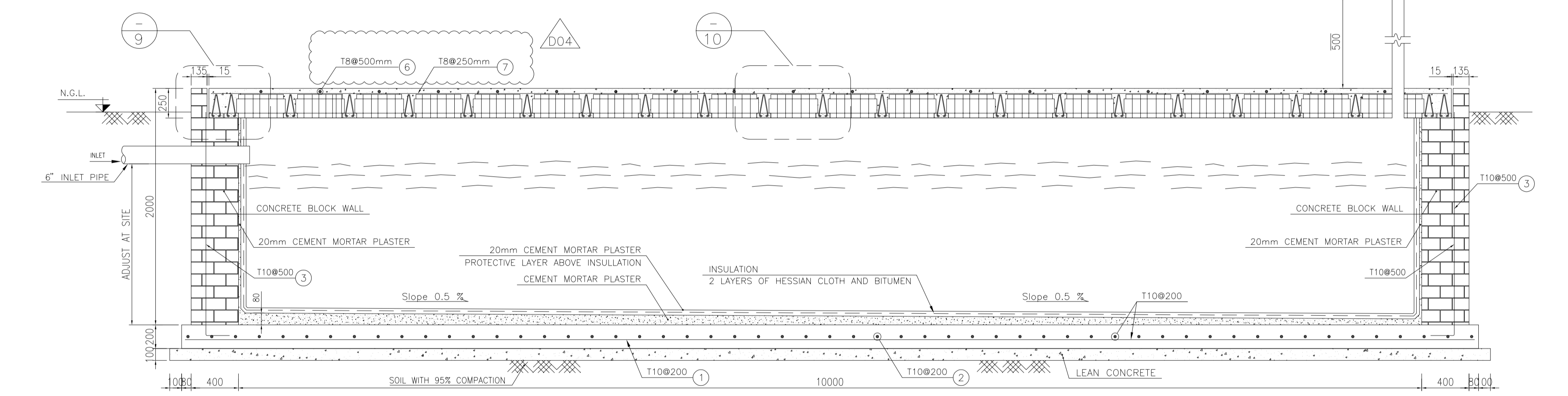


TABLE 3
(CORNERS COORDINATES)

POINT	E	N
POINT 1	E=435661.267	N=3294415.480
POINT 2	E=435669.459	N=3294409.745
POINT 3	E=435667.854	N=3294407.451
POINT 4	E=435659.662	N=3294413.186
POINT 5	E=435611.440	N=3294450.363
POINT 6	E=435619.632	N=3294444.628
POINT 7	E=435618.026	N=3294442.334
POINT 8	E=435609.834	N=3294448.069

- NOTES**
- ALL COORDINATES ARE IN METER.
 - ALL DIMENSIONS ARE IN MILLIMETERS AND ELEVATIONS ARE IN METER.
 - ALL DRAWINGS SHALL BE CHECKED BY CONTRACTOR WITH RELATIVE DRAWINGS BEFORE CONSTRUCTION.
 - ACCORDING TO THE SPECIFICATION OF CONCRETE WORKS: "BK-GNRL-PEDCO-000-ST-SP-0001", 28 DAYS CHARACTERISTIC COMPRESSIVE STRENGTH OF MAIN CONCRETE IS 25 MPa (ON CYLINDRICAL SPECIMEN)
 - ACCORDING TO THE SPECIFICATION OF CONCRETE WORKS: "BK-GNRL-PEDCO-000-ST-SP-0001", 28 DAYS CHARACTERISTIC COMPRESSIVE STRENGTH OF LEAN CONCRETE IS 15 MPa (ON CYLINDRICAL SPECIMEN)
 - REINFORCING BARS SHALL BE S400 ACCORDING TO IS:R1312 AND INCB9 WITH MINIMUM TENSILE YIELD STRENGTH 400 N/mm²
 - MINIMUM FOUNDATION NET CONCRETE COVER SHALL BE 75 mm.
 - SPECIFICATIONS OF THERMO PLAST ACRYLIC COLOR, BASED ON No.3758 NATIONAL STANDARD CODE:
DENSITY : 4.1-5.1 gr/cm³
THICKNESS : 300-400 MICRON
GLOSS : DULL
SOLID MATERIAL PERCENTAGE BY WEIGHT : 75±2
SOLID MATERIAL PERCENTAGE BY VOLUME : 48±2
 - JOINT SEALANT MATERIALS SHALL BE WEATHER-RESISTANT POLYURETHANE OR SILICONE SUCH AS "AEROLASTIC 1674" OR SIMILAR AND SHALL CONFORM TO BS-4254 FOR VERTICAL JOINTS IN WALLS. THE FILLING MATERIAL MUST BE APPROVED BY THE WORKSHOP SUPERVISION
 - CONTRACTION JOINTS SHALL BE CONSIDERED IN CONCRETE SLABS EVERY 6m.
 - GEODETIC PARAMETERS FOR COORDINATES ARE AS BELOW:
HORIZONTAL COORDINATE SYSTEM: WGS84/UTM ZONE 39
ELLIPSOID : WORLD GEODETIC SYSTEM 1984 (WGS84)
MAP PROJECTION: UNIVERSAL TRANSVERSE MERCATOR (UTM)
VERTICAL DATUM: MSL
 - ACCORDING TO THE GEOTECHNICAL REPORT SHOULD BE USED OF CEMENT TYPE 2.
 - JOINT FILLER SHALL BE ELASTIC MATERIAL.
POLY ETHYLENE SHEETS OR CORK PARTICLES OR EQUIVALENT MATERIALS CAN BE USED
 - JOINT SEALANTS SHALL BE FOLLOWED ASTM D2499.
 - REFER TO THE PLOT PLAN FOR LOCATED FENCE IN THE CELLAR.

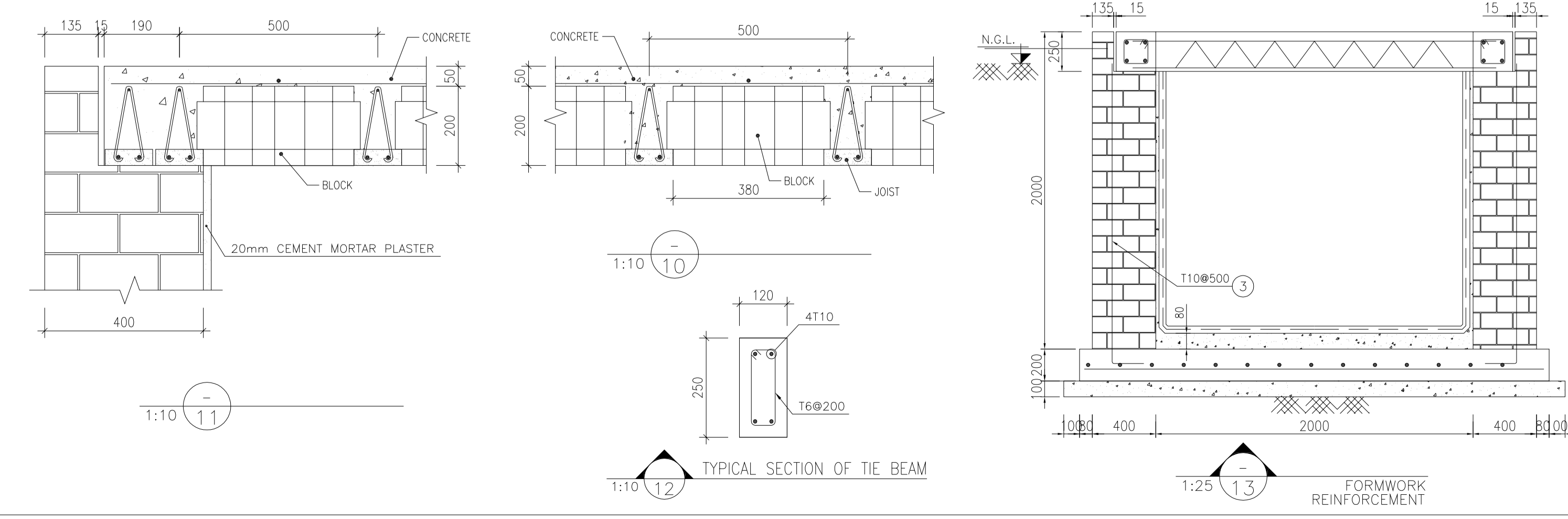
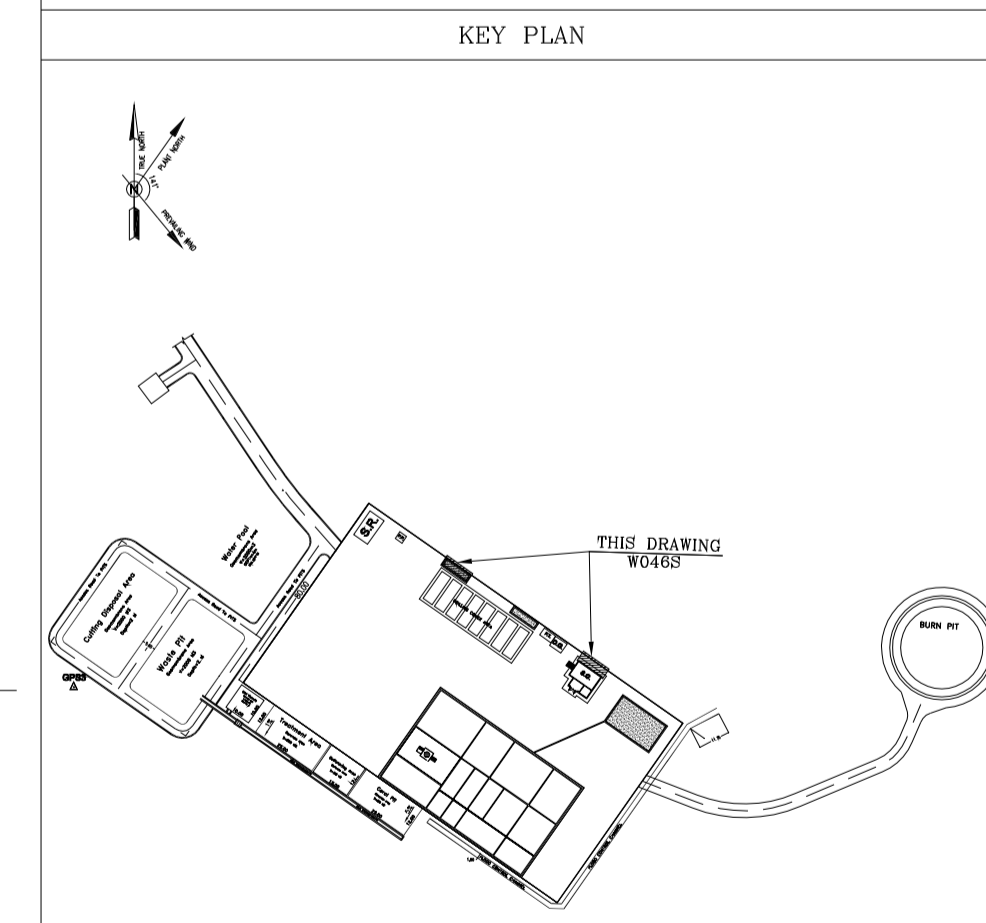


LEGEND AND ABBREVIATION

	REINFORCED CONCRETE	T.O.F.	TOP OF FOUNDATION
	LEAN CONCRETE	T.O.W.	TOP OF WALL
	CONCRETE BLOCK WALL	T.O.C.	TOP OF CONCRETE
	GRAVEL	T.O.PIT	TOP OF PIT
	SUB GRADE	B.O.P.	BOTTOM OF PIPE
	SLOPE	R.G.L.	ROUGH GRADING LEVEL
		T.O.CH.	TOP OF CHANNEL

REFERENCE DRAWING

REFERENCE DRAWING	DRG. No.
SPECIFICATION FOR FENCE & GATE	BK-GNRL-PEDCO-000-CV-SP-0003
GENERAL NOTES - STEEL STRUCTURES	BK-GNRL-PEDCO-000-ST-DW-0011
GENERAL NOTES - REINFORCED CONCRETE STRUCTURES	BK-GNRL-PEDCO-000-ST-DW-0012
GENERAL CIVIL LAYOUT - W046S	BK-W046S-PEDCO-110-CV-PY-0001
ROUGH GRADING PLANS - W046S	BK-W046S-PEDCO-110-CV-DW-0001
STANDARD DRAWING FOR CULVERT & DETAILS	BK-GNRL-PEDCO-000-CV-DW-0014
STANDARD DETAILS OF MISCELLANEOUS ITEMS	BK-GNRL-PEDCO-000-CV-DW-0040
SPECIFICATION FOR EARTH WORK	BK-GNRL-PEDCO-000-CV-SP-0004
PLOT PLAN DRAWING - W046S	BK-W046S-PEDCO-110-PI-DW-0001
AREA ELECTRICAL CABLE ROUTE & SECTION LAYOUT OF WELL PADS	BK-SSRRL-PEDCO-110-EL-PY-0006
PLATFORM STRUCTURE DRAWING - W046S	BK-W046S-PEDCO-110-ST-DW-0012



BAR BENDING SCHEDULE - SEPTIC TANK

Pos	Spec.	Shape	L/A	No.	T'10
1	T10	10800	10.80	14	151.20
2	T10	2800	2.80	18	50.40
3	T10	150 2050	2.20	52	114.40
4	T10	150 1000	1.150	4	4.600
5	T10	350 350	0.800	12	9.600
6	T10	2400	2.400	22	52.80
7	T10	10400	10.40	11	114.40
TOTAL LENGTH OR AREA (m/m²)					497.40
UNIT WEIGHT (Kg)					0.617
WEIGHT (Kg)					306.90
GRAND TOTAL (Kg)					310

REVISIONS

REV.	DATE	P.O.I.S	PREP.	CHK.	APP.	AUT.
D04	MAY.2023	APC	R. BERLOUHI	M.PAKHARIAN	A.M.MOHSANI	***
D03	DEC.2022	IPA	R. BERLOUHI	M.PAKHARIAN	M.MEHRSHAD	***
D02	SEP.2022	IPA	R. BERLOUHI	M.PAKHARIAN	M.MEHRSHAD	***
D01	JUL.2022	IPA	R. BERLOUHI	M.PAKHARIAN	M.MEHRSHAD	***
D00	MAY.2022	IPC	R. BERLOUHI	M.PAKHARIAN	M.MEHRSHAD	***

PROJECT NAME: BINAK OILFIELD DEVELOPMENT/SUB-SURFACE WORK PACKAGES W046S WELLHEAD FACILITIES

PROJECT NO.: 971020

EPC CONTRACTOR: HIRGAN ENERGY - DESIGN & INSPECTION COMPANIES

EPD/EPC CONTRACTOR(GC): PETROIRAN DEVELOPMENT COMPANY

DRAWING TITLE: CIVIL AND STRUCTURAL DRAWINGS-W046S SEPTIC TANK FORMWORK & REINFORCEMENT PLAN-SECTION

SCALE	SIZE	DRAWING NO.	SHEET NO.	REV.	BUDGET REF.	LOCATION	SIZE	CLASS	SERIAL NO.	SHEET	REVISION
AS SHOWN	A1	BK-W046S-PEDCO-110-CV-PY-0002	7 OF 46	D04	053-073-9184	F	4	S	707854	7	D04

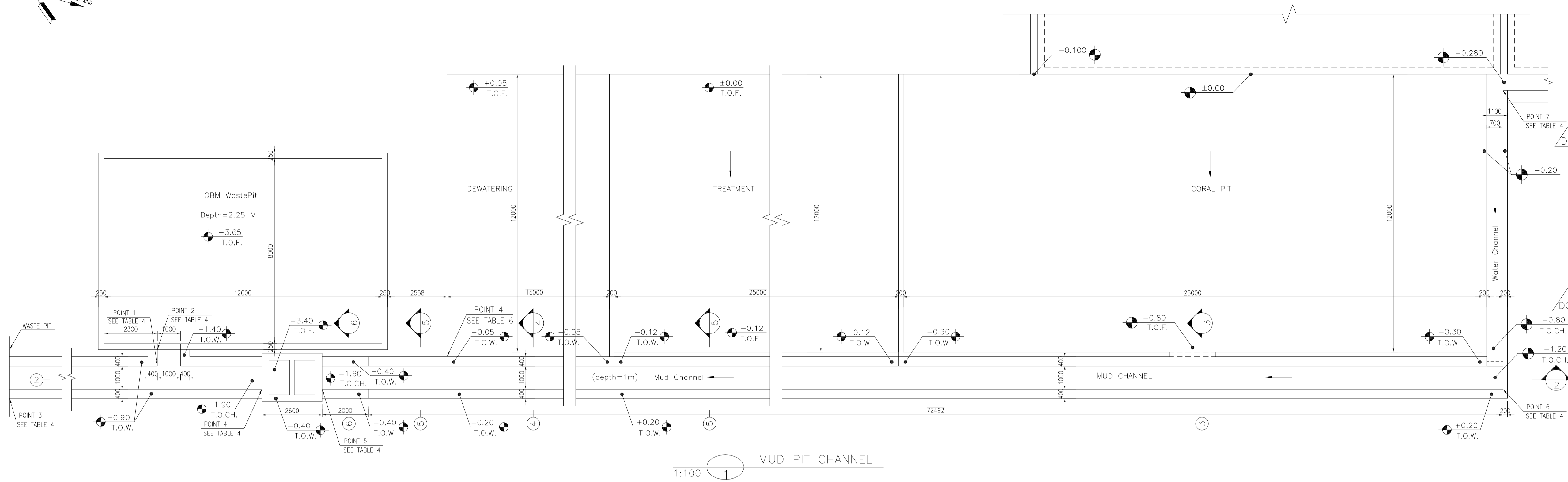
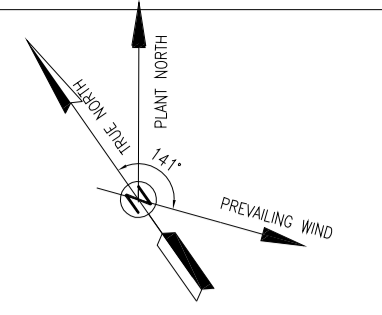
NO CONSTRUCTION PERMITTED UNLESS DRAWING APPROVED

APPROVED FOR CONSTRUCTION

DATE	SCALE	DRAWING BY	CHECKED BY	PROJECT ENG.

THE ORIGINAL AND ALL COPIES OF THIS DRAWING TOGETHER WITH THE COPYRIGHT THEREIN ARE THE SOLE PROPERTY OF N.I.S.O.C./ FIELDS

BINAK OILFIELD DEVELOPMENT SUB-SURFACE WORK PACKAGES W046S WELLHEAD FACILITIES



- NOTES**
- ALL COORDINATES ARE IN METER.
 - ALL DIMENSIONS ARE IN MILLIMETERS AND ELEVATIONS ARE IN METER.
 - ALL DRAWINGS SHALL BE CHECKED BY CONTRACTOR WITH RELATIVE DRAWINGS BEFORE CONSTRUCTION.
 - ACCORDING TO THE SPECIFICATION OF CONCRETE WORKS:
"BK-GNRL-PEDCO-000-ST-SP-0001", 28 DAYS CHARACTERISTIC COMPRESSIVE STRENGTH OF MAIN CONCRETE IS 25 MPa (ON CYLINDRICAL SPECIMEN)
 - ACCORDING TO THE SPECIFICATION OF CONCRETE WORKS:
"BK-GNRL-PEDCO-000-ST-SP-0001", 28 DAYS CHARACTERISTIC COMPRESSIVE STRENGTH OF LEAN CONCRETE IS 15 MPa (ON CYLINDRICAL SPECIMEN)
 - REINFORCING BARS SHALL BE S400 ACCORDING TO: ISIRI3132 AND INBC9 WITH MINIMUM TENSILE YIELD STRENGTH 400 N/mm²
 - MINIMUM FOUNDATION NET CONCRETE COVER SHALL BE 75 mm.
 - SPECIFICATIONS OF THERMO PLAST ACRYLIC COLOR:
BASED ON No.3758 NATIONAL STANDARD CODE:
DENSITY : 4.1-5.1 gr/cm³
THICKNESS : 300-400 MICRON
GLOSS : DULL
SOLID MATERIAL PERCENTAGE BY WEIGHT : 75%±2
SOLID MATERIAL PERCENTAGE BY VOLUME : 48%±2
 - JOINT SEALANT MATERIALS SHALL BE WETHER-RESISTANT POLYURETHANE OR SILICONE SCH AS "AEROLASTIC 1674" OR SIMILAR AND SHALL CONFORM TO BS-4254 FOR VERTICAL JOINTS IN WALLS. THE FILLING MATERIAL MUST BE APPROVED BY THE WORKSHOP SUPERVISION
 - CONTRACTION JOINTS SHALL BE CONSIDERED IN CONCRETE SLABS EVERY 6m.
 - GEODETIC PARAMETERS FOR COORDINATES ARE AS BELOW:
HORIZONTAL COORDINATE SYSTEM: WGS84/UTM ZONE 39
ELLIPSOID : WORLD GEODETIC SYSTEM 1984 (WGS84)
MAP PROJECTION: UNIVERSAL TRANSVERSE MERCATOR (UTM)
VERTICAL DATUM: MSL
 - ACCORDING TO THE GEOTECHNICAL REPORT SHOULD BE USED OF CEMENT TYPE2.
 - JOINT FILLER SHALL BE ELASTIC MATERIAL.
POLY ETHYLENE SHEETS OR CORK PARTICLES OR EQUIVALENT MATERIALS CAN BE USED
 - JOINT SEALANTS SHALL BE FOLLOWED ASTM D2499.
 - REFER TO THE PLOT PLAN FOR LOCATED FENCE IN THE CELLAR.
- ±0.00 = +57.00(R.G.L.)MSL

LEGEND AND ABBREVIATION

	REINFORCED CONCRETE	T.O.F.	TOP OF FOUNDATION
	LEAN CONCRETE	T.O.W.	TOP OF WALL
	CONCRETE BLOCK WALL	T.O.C.	TOP OF CONCRETE
	GRAVEL	T.O.PIT	TOP OF PIT
	SUB GRADE	B.O.P.	BOTTOM OF PIPE
	SLOPE	R.G.L.	ROUGH GRADING LEVEL
		T.O.CH.	TOP OF CHANNEL

REFERENCE DRAWING

REFERENCE DRAWING	DRG. No.
SPECIFICATION FOR FENCE & GATE	BK-GNRL-PEDCO-000-CV-SP-0003
GENERAL NOTES - STEEL STRUCTURES	BK-GNRL-PEDCO-000-ST-DW-0011
GENERAL NOTES - REINFORCED CONCRETE STRUCTURES	BK-GNRL-PEDCO-000-ST-DW-0012
GENERAL CIVIL LAYOUT - W046S	BK-W046S-PEDCO-110-CV-PY-0001
ROUGH GRADING PLANS - W046S	BK-W046S-PEDCO-110-CV-DW-0001
STANDARD DRAWING FOR CULVERT & DETAILS	BK-GNRL-PEDCO-000-CV-DW-0014
STANDARD DETAILS OF MISCELLANEOUS ITEMS	BK-GNRL-PEDCO-000-CV-DW-0040
SPECIFICATION FOR EARTH WORK	BK-GNRL-PEDCO-000-CV-SP-0004
PLOT PLAN DRAWING - W046S	BK-W046S-PEDCO-110-PI-DW-0001
AREA ELECTRICAL CABLE ROUTE & SECTION LAYOUT OF WELL PADS	BK-SSQRL-PEDCO-110-EL-PY-0006
PLATFORM STRUCTURE DRAWING - W046S	BK-W046S-PEDCO-110-ST-DW-0012

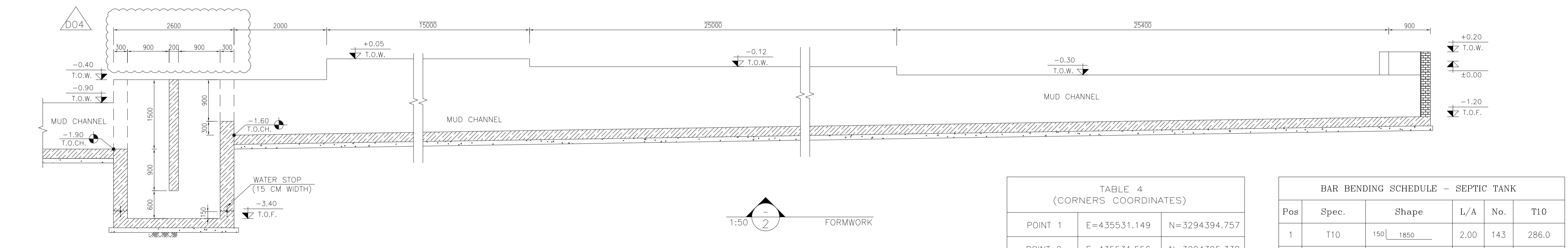
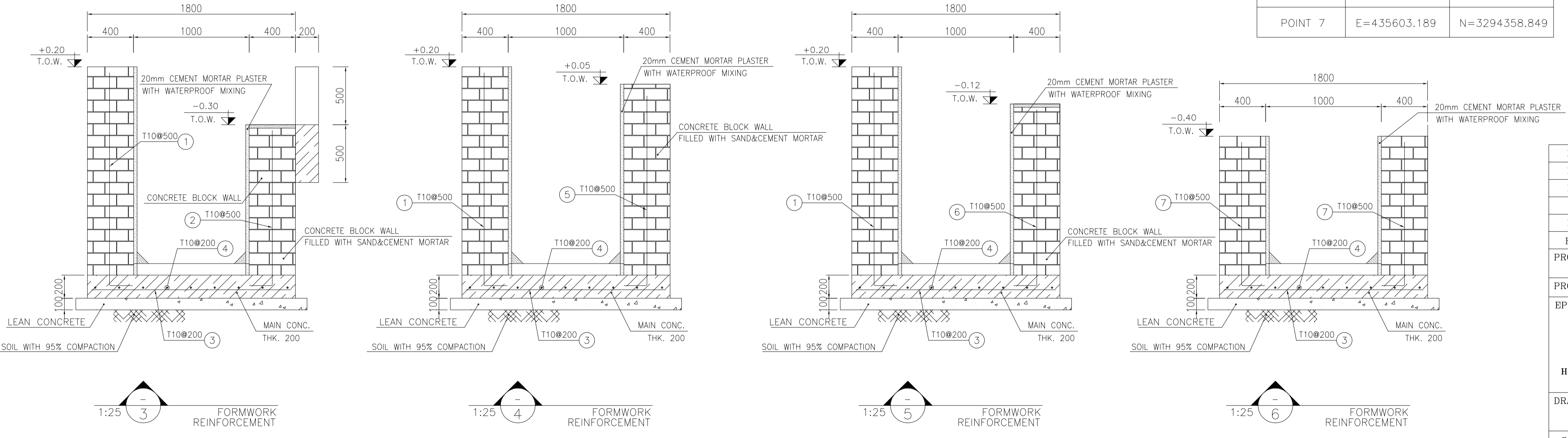
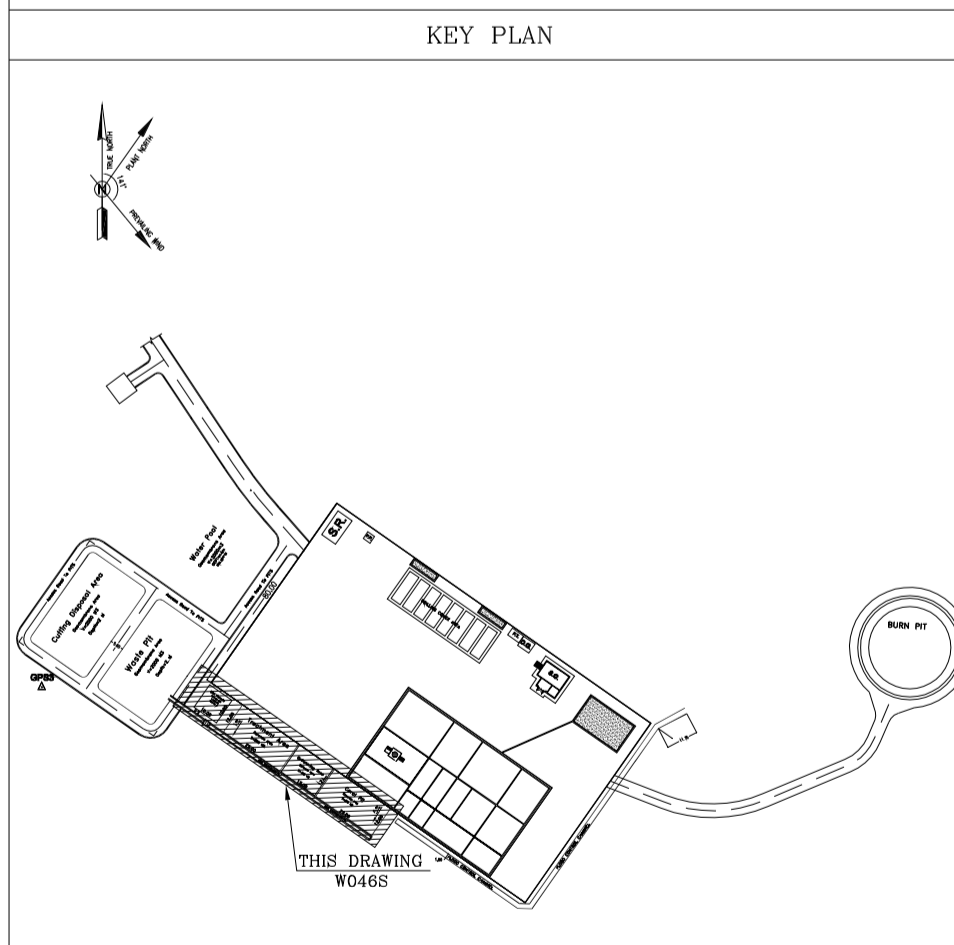


TABLE 4 (CORNERS COORDINATES)

POINT	E	N
POINT 1	E=435531.149	N=3294394.757
POINT 2	E=435531.556	N=3294395.338
POINT 3	E=435521.432	N=3294399.851
POINT 4	E=435534.275	N=3294391.347
POINT 5	E=435536.405	N=3294389.856
POINT 6	E=435595.725	N=3294347.839
POINT 7	E=435603.189	N=3294358.849

BAR BENDING SCHEDULE - SEPTIC TANK

Pos	Spec.	Shape	L/A	No.	T10
1	T10	150 1850	2.00	143	286.0
2	T10	150 1050	1.20	54	64.8
3	T10	150 1700 150	2.00	441	882.0
4	T10	-T.L.	-	-	968.0
5	T10	150 1650	1.80	79	142.2
TOTAL LENGTH OR AREA (m/m²)					2343
UNIT WEIGHT (Kg)					0.617
WEIGHT (Kg)					1445.63
GRAND TOTAL (Kg)					1446



REV.	DATE	P.O.I.S	PREP.	CHK.	APP.	AUT.
D04	MAY.2023	AFC	R. BERLOUFI	M.PAKHARIAN	A.M.MOHSANI	***
D03	DEC.2022	IPA	R. BERLOUFI	M.PAKHARIAN	M.MEHRSHAD	***
D02	SEP.2022	IPA	R. BERLOUFI	M.PAKHARIAN	M.MEHRSHAD	***
D01	JUL.2022	IPA	R. BERLOUFI	M.PAKHARIAN	M.MEHRSHAD	***
D00	MAY.2022	IPC	R. BERLOUFI	M.PAKHARIAN	M.MEHRSHAD	***

امثل و کليه نسخ اين نقشه و حق اقتباس متعلق به شرکت ملی مناطق نفت خيز جنوب ميباشد.

THE ORIGINAL AND ALL COPIES OF THIS DRAWING TOGETHER WITH THE COPYRIGHT THEREIN ARE THE SOLE PROPERTY OF N.I.S.O.C./ FIELDS

DATE	SCALE	DRAWING BY	CHECKED BY	PROJECT ENG.

NO CONSTRUCTION PERMITTED UNLESS DRAWING APPROVED

APPROVED FOR CONSTRUCTION	BY:	DATE:

BUDGET REF.	LOCATION	SIZE	CLASS	SERIAL NO.	SHEET	REVISION
053-073-9184	F	4	S	707854	8	D04

PROJECT NAME: BINAK OILFIELD DEVELOPMENT/SUB-SURFACE WORK PACKAGES W046S WELLHEAD FACILITIES

PROJECT NO.: 971020

EPC CONTRACTOR: HIRGAN ENERGY - DESIGN & INSPECTION COMPANIES

EPD/EPC CONTRACTOR(GC): PETROIRAN DEVELOPMENT COMPANY

DRAWING TITLE: CIVIL AND STRUCTURAL DRAWINGS-W046S MUD PIT CHANNEL FORMWORK & REINFORCEMENT PLAN-SECTION

SCALE: A1

AS SHOWN

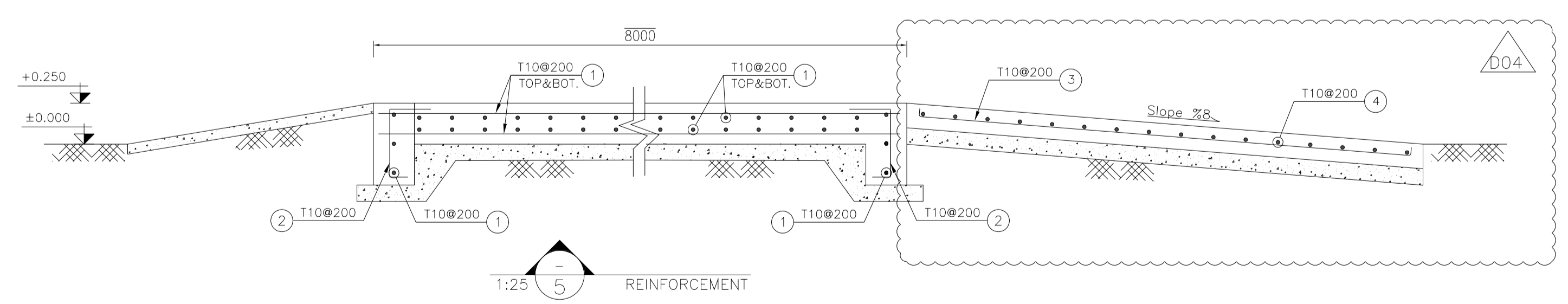
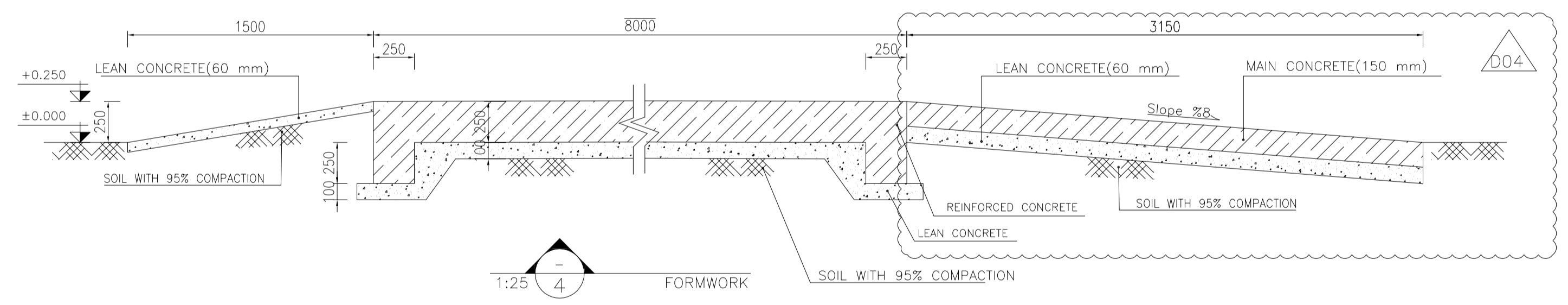
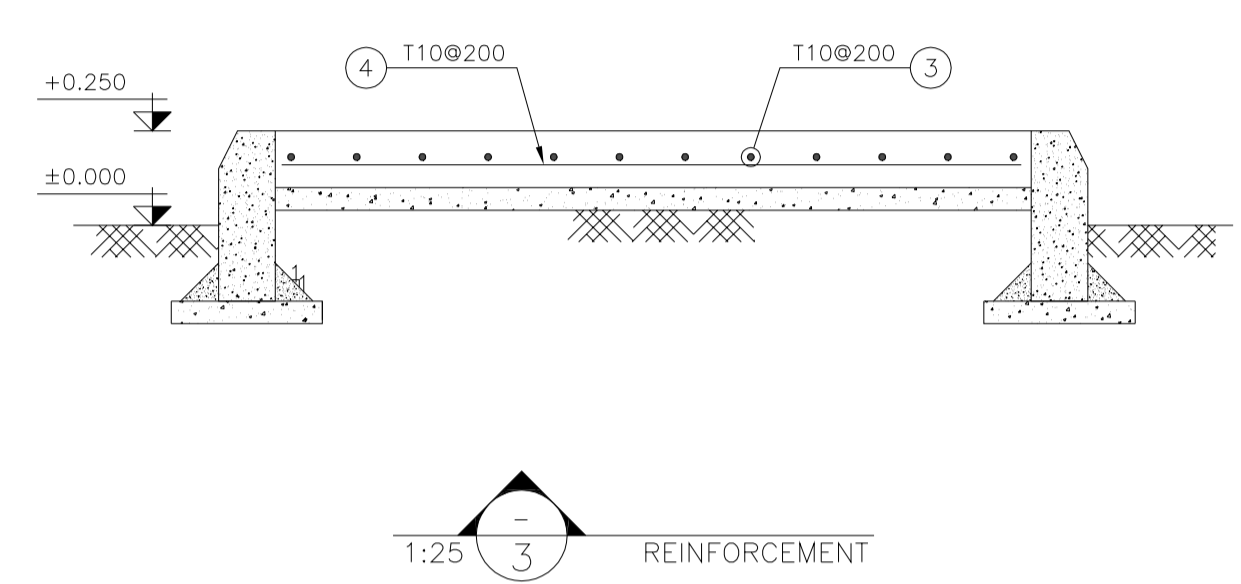
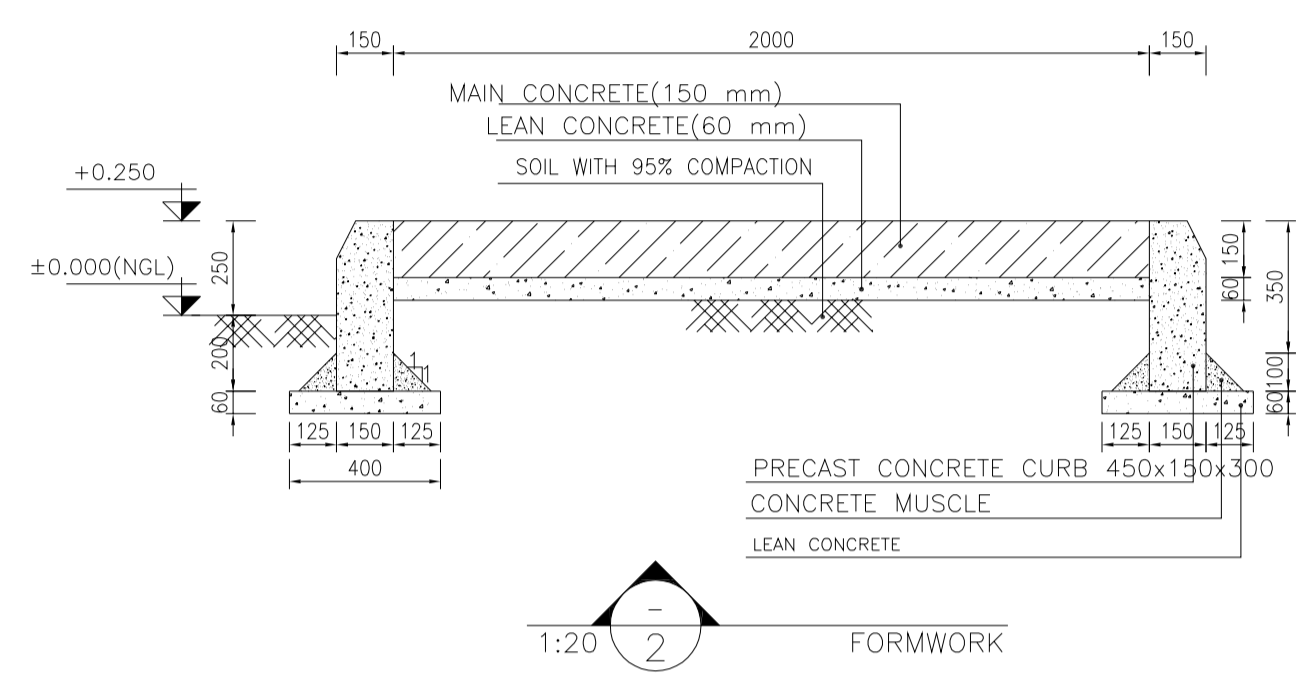
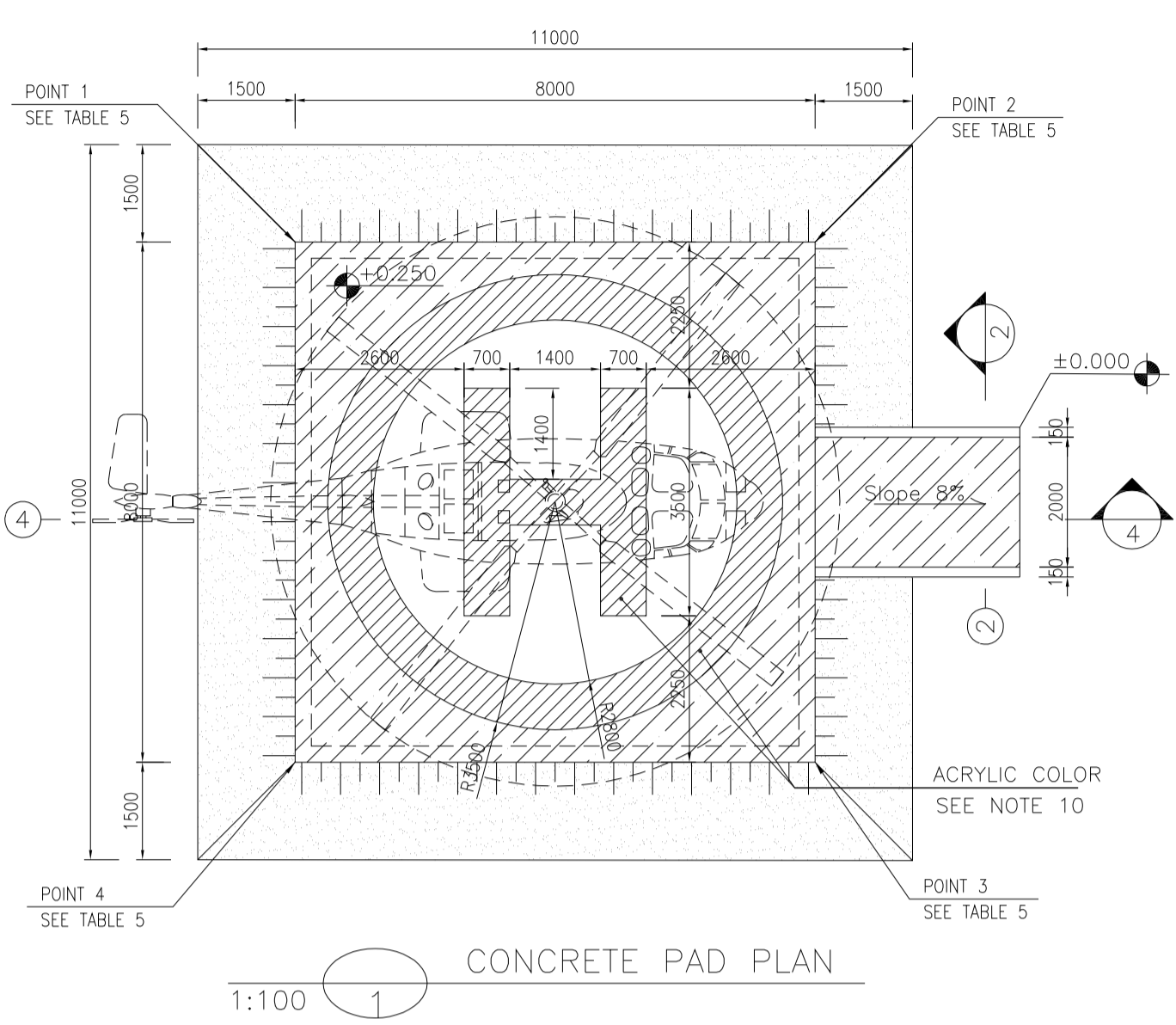
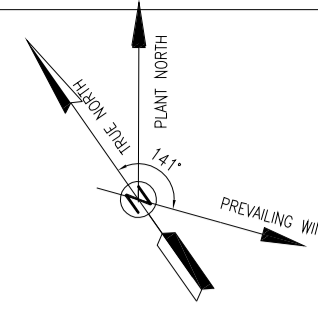


TABLE 5
(CORNERS COORDINATES)

POINT 1	E=435435.661	N=3294545.491
POINT 2	E=435443.649	N=3294545.054
POINT 3	E=435443.212	N=3294537.066
POINT 4	E=435435.224	N=3294537.503

- NOTES
- ALL COORDINATES ARE IN METER.
 - ALL DIMENSIONS ARE IN MILLIMETERS AND ELEVATIONS ARE IN METER.
 - ALL DRAWINGS SHALL BE CHECKED BY CONTRACTOR WITH RELATIVE DRAWINGS BEFORE CONSTRUCTION.
 - ACCORDING TO THE SPECIFICATION OF CONCRETE WORKS: "BK-GNRL-PEDCO-000-ST-SP-0001", 28 DAYS CHARACTERISTIC COMPRESSIVE STRENGTH OF MAIN CONCRETE IS 25 MPa (ON CYLINDRICAL SPECIMEN)
 - ACCORDING TO THE SPECIFICATION OF CONCRETE WORKS: "BK-GNRL-PEDCO-000-ST-SP-0001", 28 DAYS CHARACTERISTIC COMPRESSIVE STRENGTH OF LEAN CONCRETE IS 15 MPa (ON CYLINDRICAL SPECIMEN)
 - REINFORCING BARS SHALL BE S400 ACCORDING TO: ISIRI3132 AND INBC9 WITH MINIMUM TENSILE YIELD STRENGTH 400 N/mm²
 - MINIMUM FOUNDATION NET CONCRETE COVER SHALL BE 75 mm.
 - SPECIFICATIONS OF THERMO PLAST ACRYLIC COLOR, BASED ON No.3758 NATIONAL STANDARD CODE: DENSITY : 4.1-5.1 gr/cm³ THICKNESS : 300-400 MICRON GLOSS : DULL SOLID MATERIAL PERCENTAGE BY WEIGHT : 75%±2 SOLID MATERIAL PERCENTAGE BY VOLUME : 48%±2
 - JOINT SEALANT MATERIALS SHALL BE WETHER-RESISTANT POLYURETHANE OR SILICONE SCH AS "AEROLASTIC 1674" OR SIMILAR AND SHALL CONFORM TO BS-4254 FOR VERTICAL JOINTS IN WALLS. THE FILLING MATERIAL MUST BE APPROVED BY THE WORKSHOP SUPERVISION
 - CONTRACTION JOINTS SHALL BE CONSIDERED IN CONCRETE SLABS EVERY 6m.
 - GEODETIC PARAMETERS FOR COORDINATES ARE AS BELOW:
HORIZONTAL COORDINATE SYSTEM: WGS84/UTM ZONE 39
ELLIPSOID : WORLD GEODETIC SYSTEM 1984 (WGS84)
MAP PROJECTION: UNIVERSAL TRANSVERSE MERCATOR (UTM)
VERTICAL DATUM: MSL
 - ACCORDING TO THE GEOTECHNICAL REPORT SHOULD BE USED OF CEMENT TYPE 2.
 - JOINT FILLER SHALL BE ELASTIC MATERIAL. POLY ETHYLENE SHEETS OR CORK PARTICLES OR EQUIVALENT MATERIALS CAN BE USED
 - JOINT SEALANTS SHALL BE FOLLOWED ASTM D2499.
 - REFER TO THE PLOT PLAN FOR LOCATED FENCE IN THE CELLAR.
- ±0.00 = +57.00(R.G.L.)MSL

LEGEND AND ABBREVIATION

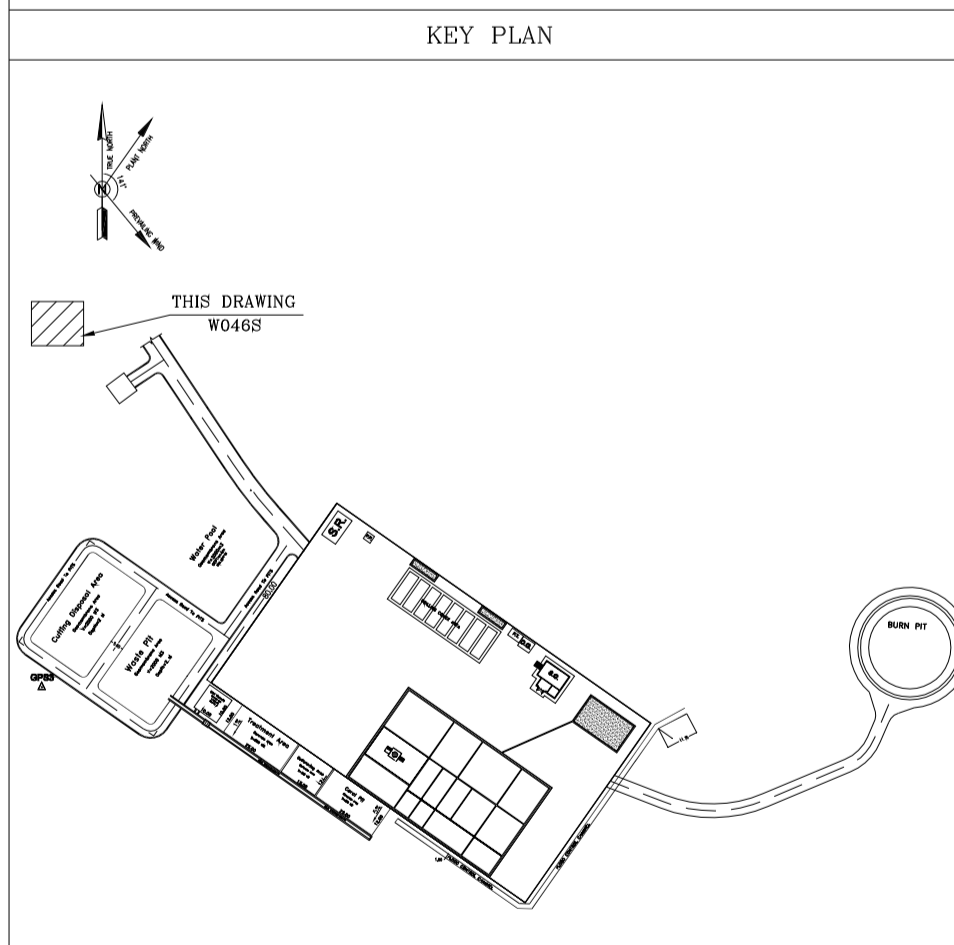
	REINFORCED CONCRETE	T.O.F.	TOP OF FOUNDATION
	LEAN CONCRETE	T.O.W.	TOP OF WALL
	CEMENT BLOCK WALL	T.O.C.	TOP OF CONCRETE
	GRAVEL	T.O.PIT	TOP OF PIT
	SUB GRADE	B.O.P.	BOTTOM OF PIPE
	SLOPE	R.G.L.	ROUGH GRADING LEVEL
		T.O.CH.	TOP OF CHANNEL

BAR BENDING SCHEDULE - CONCRETE PAD

Pos	Spec.	Shape	L/A	No.	T10
1	T10	7850	7.85	164	1287.4
2	T10	150 350	0.50	156	78.0
3	T10	3000	3.00	11	33.0
4	T10	1850	1.85	15	27.75
TOTAL LENGTH OR AREA (m/m ²)					1426.15
UNIT WEIGHT (Kg)					0.617
WEIGHT (Kg)					879.93
GRAND TOTAL (Kg)					880

REFERENCE DRAWING

REFERENCE DRAWING	DRG. No.
SPECIFICATION FOR FENCE & GATE	BK-GNRL-PEDCO-000-CV-SP-0003
GENERAL NOTES - STEEL STRUCTURES	BK-GNRL-PEDCO-000-ST-DW-0011
GENERAL NOTES - REINFORCED CONCRETE STRUCTURES	BK-GNRL-PEDCO-000-ST-DW-0012
GENERAL CIVIL LAYOUT - W046S	BK-W046S-PEDCO-110-CV-PY-0001
ROUGH GRADING PLANS - W046S	BK-W046S-PEDCO-110-CV-DW-0001
STANDARD DRAWING FOR CULVERT & DETAILS	BK-GNRL-PEDCO-000-CV-DW-0014
STANDARD DETAILS OF MISCELLANEOUS ITEMS	BK-GNRL-PEDCO-000-CV-DW-0040
SPECIFICATION FOR EARTH WORK	BK-GNRL-PEDCO-000-CV-SP-0004
PLOT PLAN DRAWING - W046S	BK-W046S-PEDCO-110-PI-DW-0001
AREA ELECTRICAL CABLE ROUTE & SECTION LAYOUT OF WELL PADS	BK-SSGRL-PEDCO-110-EL-PY-0006
PLATFORM STRUCTURE DRAWING - W046S	BK-W046S-PEDCO-110-ST-DW-0012



REV.	DATE	P.O.I.S	PREP.	CHK.	APP.	AUT.
D04	MAY.2023	AFC	R. BERLOURI	M.PAKHARIAN	A.M.MOHSANI	** **
D03	DEC.2022	IPA	R. BERLOURI	M.PAKHARIAN	M.MEHRSHAD	** **
D02	SEP.2022	IPA	R. BERLOURI	M.PAKHARIAN	M.MEHRSHAD	** **
D01	JUL.2022	IPA	R. BERLOURI	M.PAKHARIAN	M.MEHRSHAD	** **
D00	MAY.2022	IPC	R. BERLOURI	M.PAKHARIAN	M.MEHRSHAD	** **

اصل و کلیه نسخ این نقشه و حق اقتباس متعلق به شرکت ملی مناطق نفت خیز جنوب میباشد.
THE ORIGINAL AND ALL COPIES OF THIS DRAWING TOGETHER WITH THE COPYRIGHT THEREIN ARE THE SOLE PROPERTY OF N.I.S.O.C./ FIELDS

PROJECT NAME: BINAK OILFIELD DEVELOPMENT/SUB-SURFACE WORK PACKAGES W046S WELLHEAD FACILITIES

PROJECT NO.: 971020

EPC CONTRACTOR: HIRGAN ENERGY - DESIGN & INSPECTION COMPANIES

EPD/EPC CONTRACTOR(GC): PETROIRAN DEVELOPMENT COMPANY

DRAWING TITLE: CIVIL AND STRUCTURAL DRAWINGS-W046S HELIPAD FORMWORK & REINFORCEMENT PLAN-SECTION

SCALE	SIZE	DRAWING NO.	SHEET NO.	REV.	BUDGET REF.	LOCATION	SIZE	CLASS	SERIAL NO.	SHEET	REVISION
AS SHOWN	A1	BK-W046S-PEDCO-110-CV-PY-0002	9 OF 46	D04	053-073-9184	F	4	S	707854	9	D04

BINAK OILFIELD DEVELOPMENT SUB-SURFACE WORK PACKAGES W046S WELLHEAD FACILITIES

DATE	SCALE	DRAWING BY	CHECKED BY	PROJECT ENG.

NO CONSTRUCTION PERMITTED UNLESS DRAWING APPROVED

APPROVED FOR CONSTRUCTION	BY:	DATE:

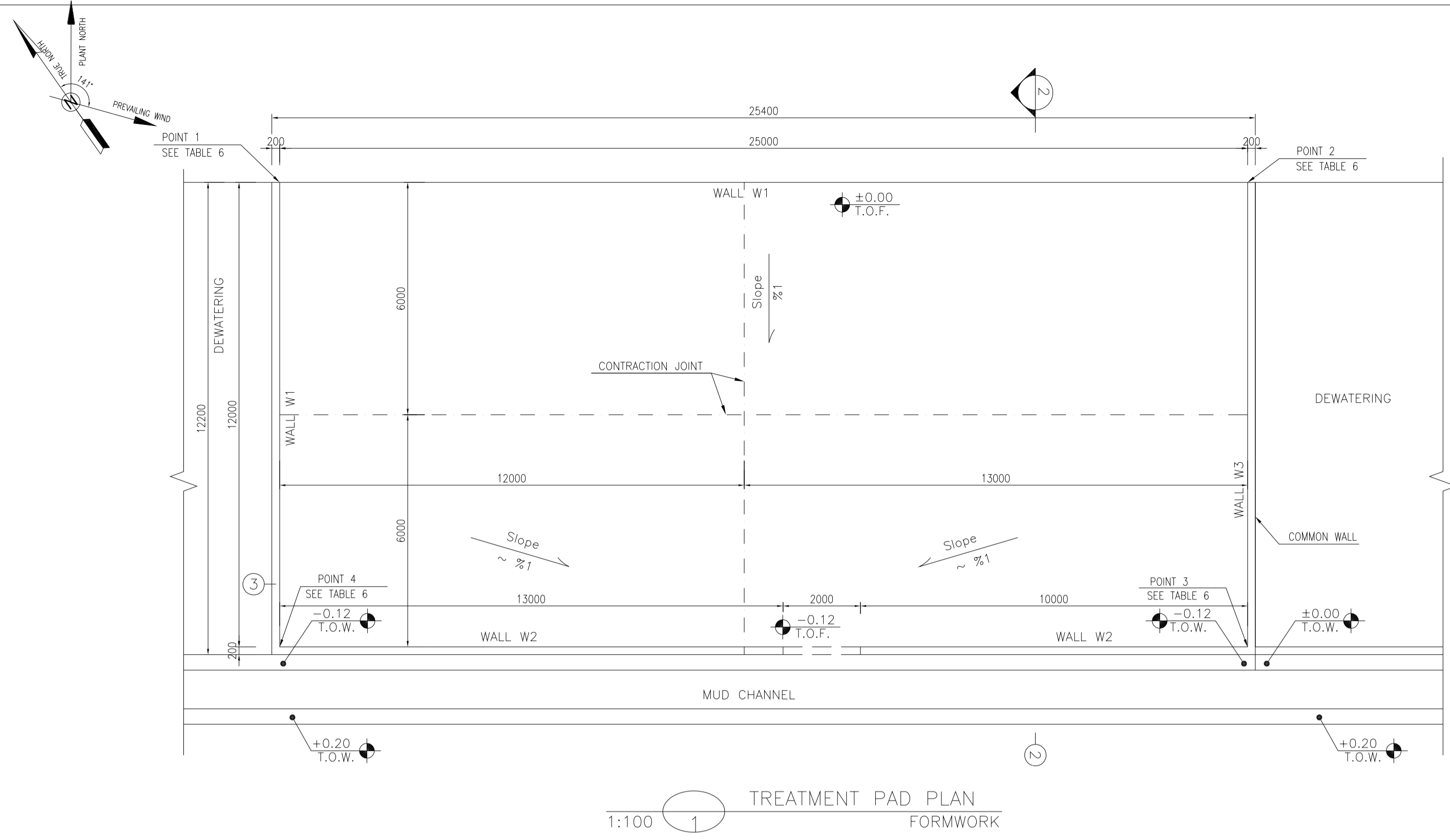
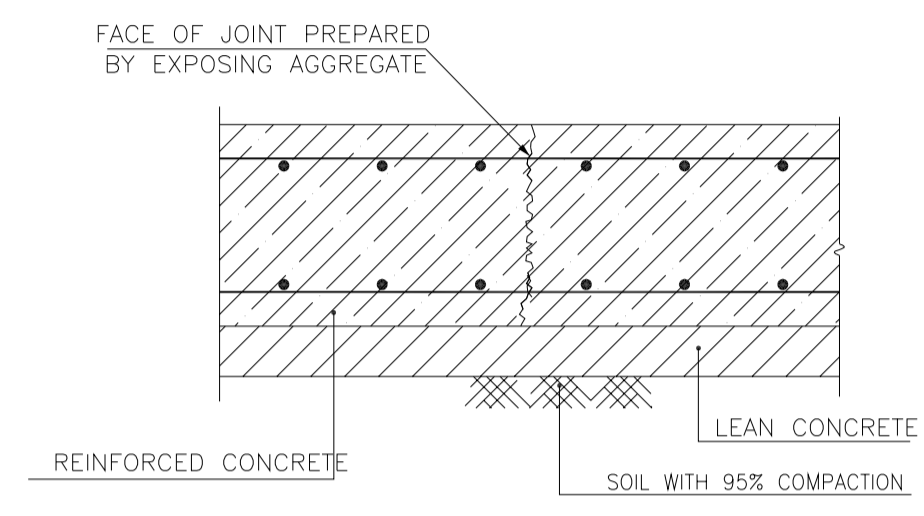
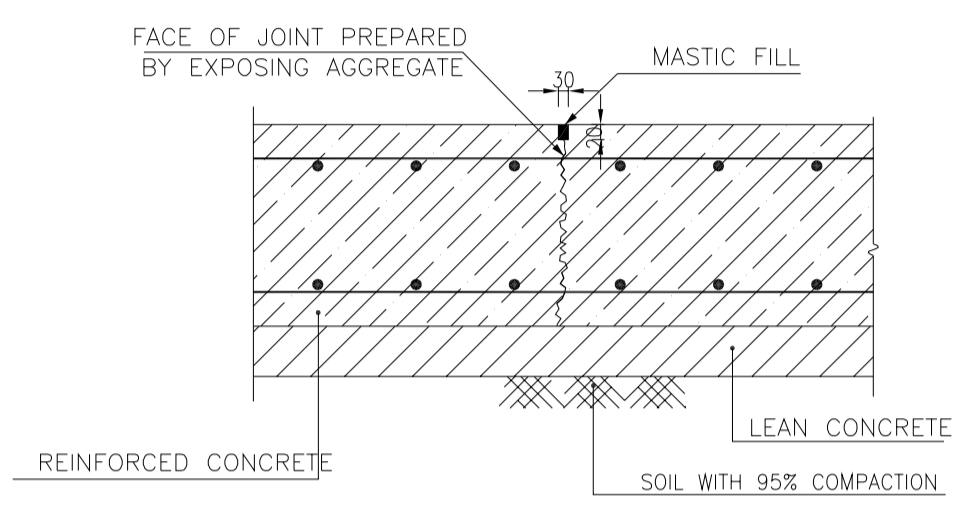


TABLE 6
(CORNERS COORDINATES)

POINT	E	N
POINT 1	E=435561.729	N=3294388.729
POINT 2	E=435582.209	N=3294374.391
POINT 3	E=435575.327	N=3294364.561
POINT 4	E=435554.847	N=3294378.898



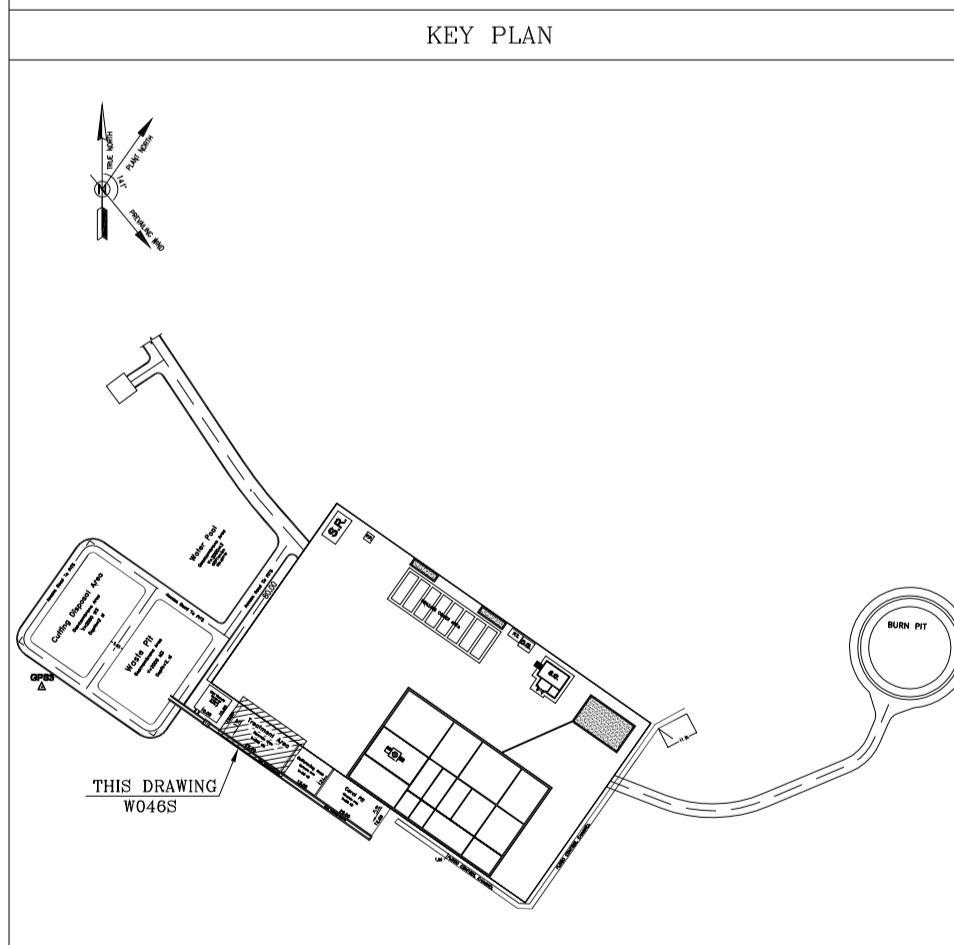
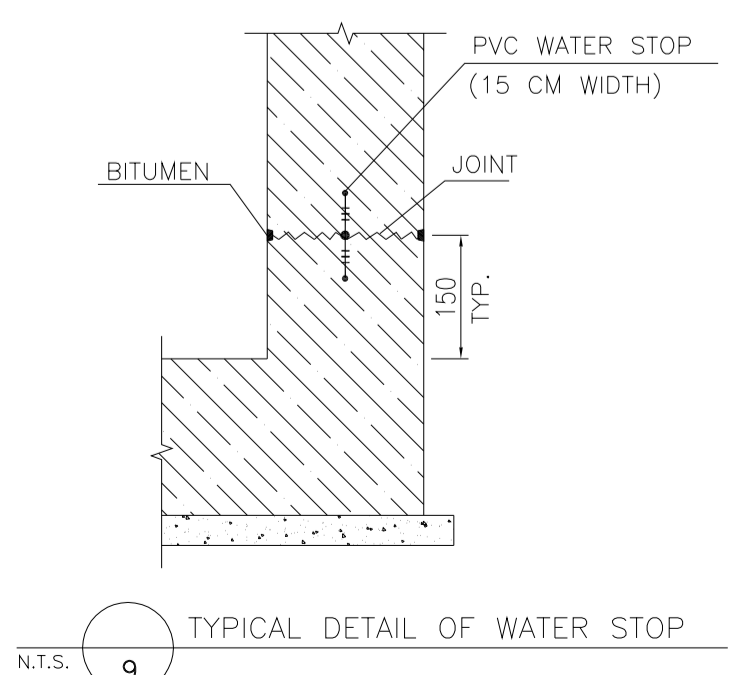
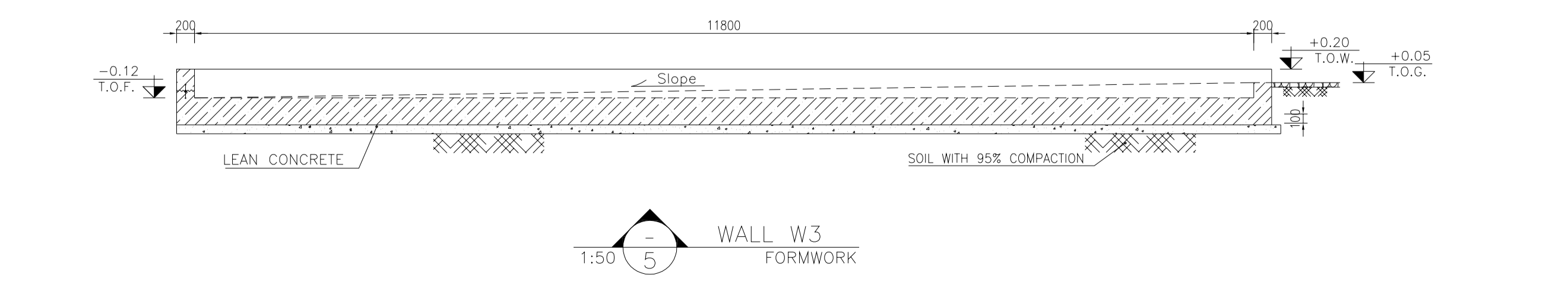
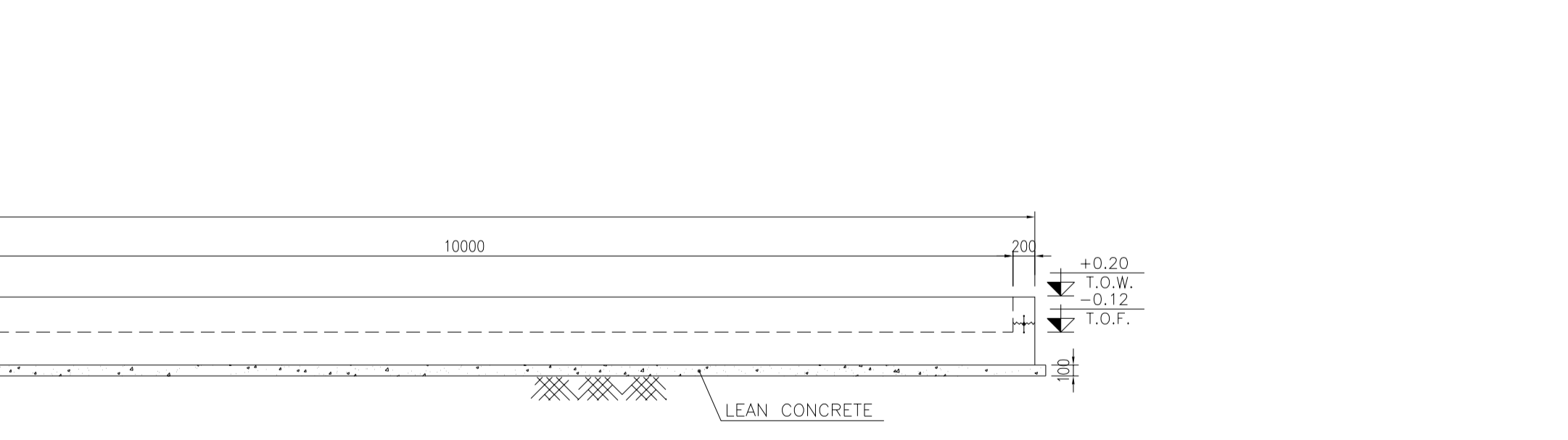
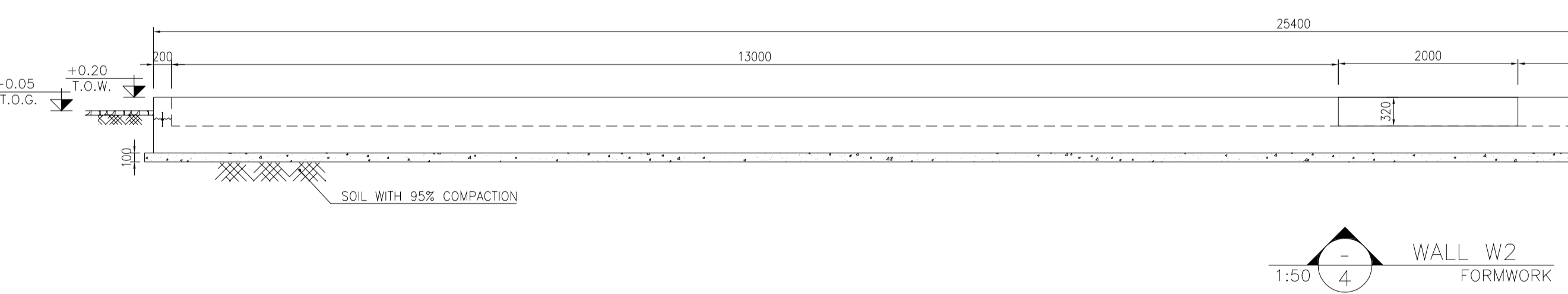
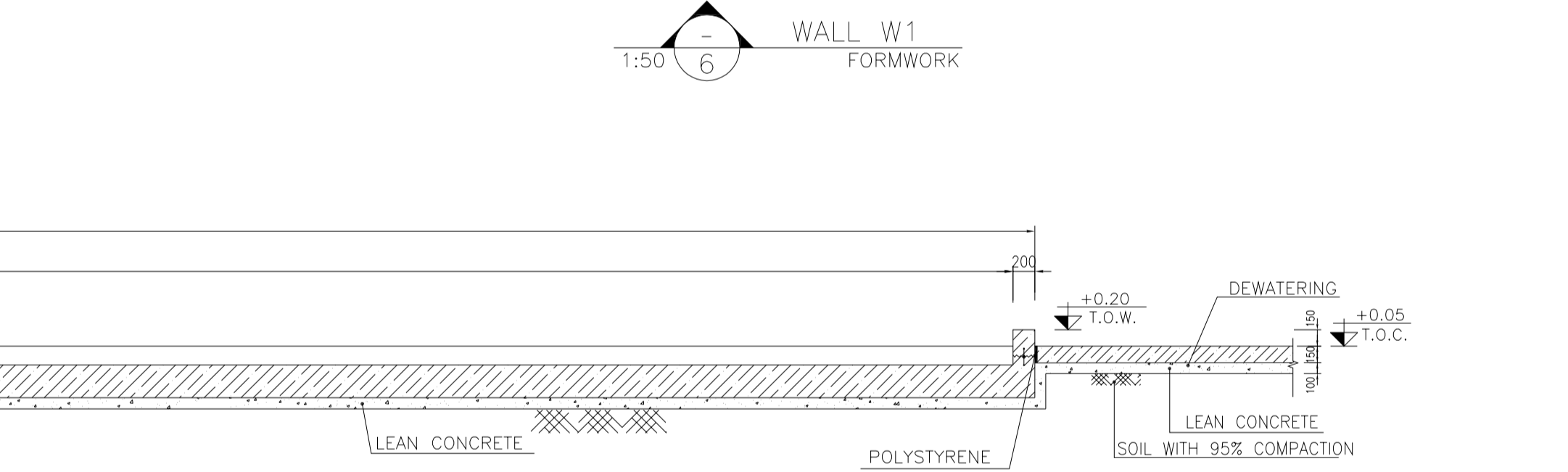
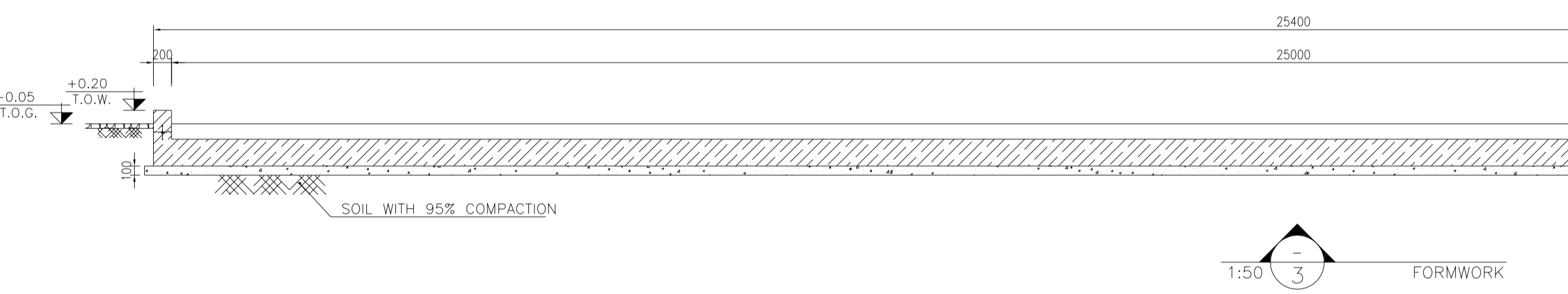
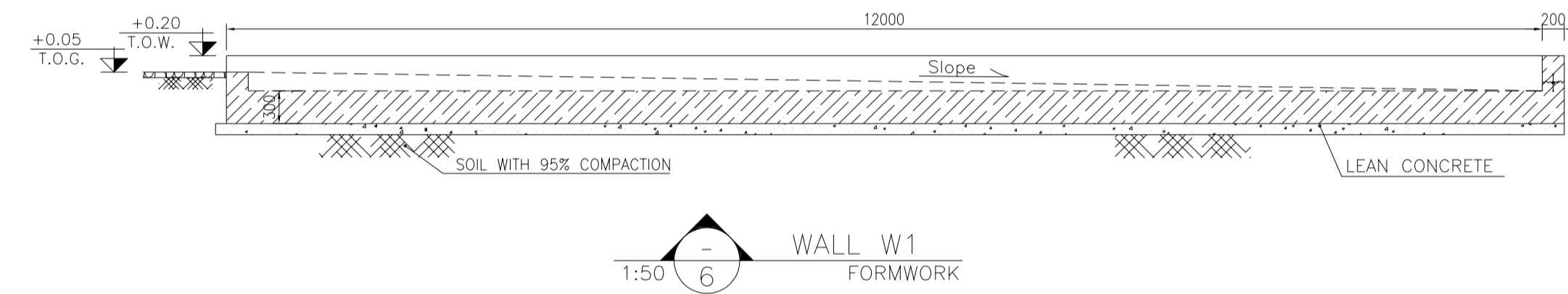
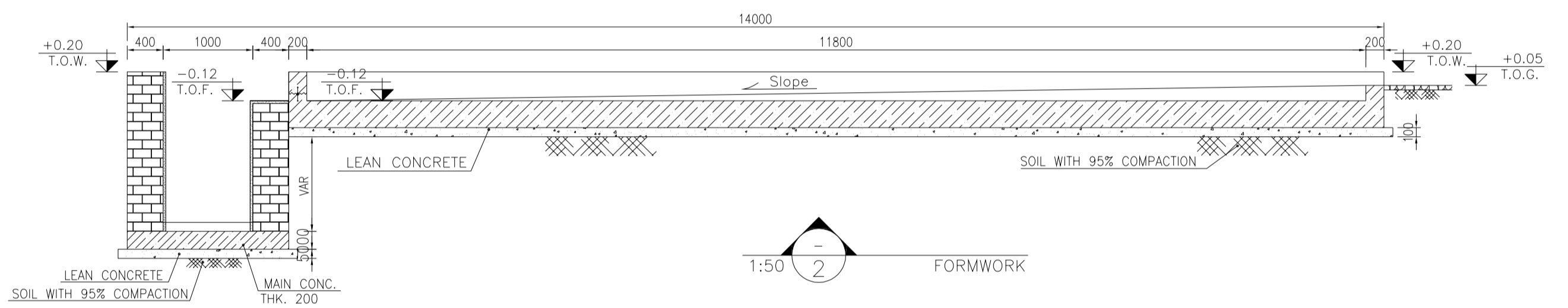
- NOTES
- ALL COORDINATES ARE IN METER.
 - ALL DIMENSIONS ARE IN MILLIMETERS AND ELEVATIONS ARE IN METER.
 - ALL DRAWINGS SHALL BE CHECKED BY CONTRACTOR WITH RELATIVE DRAWINGS BEFORE CONSTRUCTION.
 - ACCORDING TO THE SPECIFICATION OF CONCRETE WORKS: "BK-GNRL-PEDCO-000-ST-SP-0001", 28 DAYS CHARACTERISTIC COMPRESSIVE STRENGTH OF MAIN CONCRETE IS 25 MPa (ON CYLINDRICAL SPECIMEN)
 - ACCORDING TO THE SPECIFICATION OF CONCRETE WORKS: "BK-GNRL-PEDCO-000-ST-SP-0001", 28 DAYS CHARACTERISTIC COMPRESSIVE STRENGTH OF LEAN CONCRETE IS 15 MPa (ON CYLINDRICAL SPECIMEN)
 - REINFORCING BARS SHALL BE S400 ACCORDING TO: ISIRI3132 AND INBC9 WITH MINIMUM TENSILE YIELD STRENGTH 400 N/mm²
 - MINIMUM FOUNDATION NET CONCRETE COVER SHALL BE 75 mm.
 - SPECIFICATIONS OF THERMO PLAST ACRYLIC COLOR, BASED ON No.3758 NATIONAL STANDARD CODE: DENSITY : 4.1-5.1 gr/cm³ THICKNESS : 300-400 MICRON GLOSS : DULL SOLID MATERIAL PERCENTAGE BY WEIGHT : 75%±2 SOLID MATERIAL PERCENTAGE BY VOLUME : 48%±2
 - JOINT SEALANT MATERIALS SHALL BE WEATHER-RESISTANT POLYURETHANE OR SILICONE SCH AS "AEROLASTIC 1674" OR SIMILAR AND SHALL CONFORM TO BS-4254 FOR VERTICAL JOINTS IN WALLS. THE FILLING MATERIAL MUST BE APPROVED BY THE WORKSHOP SUPERVISION
 - CONTRACTION JOINTS SHALL BE CONSIDERED IN CONCRETE SLABS EVERY 6m.
 - GEODETIC PARAMETERS FOR COORDINATES ARE AS BELOW: HORIZONTAL COORDINATE SYSTEM: WGS84/UTM ZONE 39 ELLIPSOID : WORLD GEODETIC SYSTEM 1984 (WGS84) MAP PROJECTION: UNIVERSAL TRANSVERSE MERCATOR (UTM) VERTICAL DATUM: MSL
 - ACCORDING TO THE GEOTECHNICAL REPORT SHOULD BE USED OF CEMENT TYPE 2.
 - JOINT FILLER SHALL BE ELASTIC MATERIAL. POLY ETHYLENE SHEETS OR CORK PARTICLES OR EQUIVALENT MATERIALS CAN BE USED
 - JOINT SEALANTS SHALL BE FOLLOWED ASTM D2499.
 - REFER TO THE PLOT PLAN FOR LOCATED FENCE IN THE CELLAR.
- ±0.00 = +57.00(R.G.L.)MSL

LEGEND AND ABBREVIATION

	REINFORCED CONCRETE	T.O.F.	TOP OF FOUNDATION
	LEAN CONCRETE	T.O.W.	TOP OF WALL
	CEMENT BLOCK WALL	T.O.C.	TOP OF CONCRETE
	GRAVEL	T.O.PIT	TOP OF PIT
	SUB GRADE	B.O.P.	BOTTOM OF PIPE
	SLOPE	R.G.L.	ROUGH GRADING LEVEL
		T.O.CH.	TOP OF CHANNEL

REFERENCE DRAWING

REFERENCE DRAWING	DRG. No.
SPECIFICATION FOR FENCE & GATE	BK-GNRL-PEDCO-000-CV-SP-0003
GENERAL NOTES - STEEL STRUCTURES	BK-GNRL-PEDCO-000-ST-DW-0011
GENERAL NOTES - REINFORCED CONCRETE STRUCTURES	BK-GNRL-PEDCO-000-ST-DW-0012
GENERAL CIVIL LAYOUT - W046S	BK-W046S-PEDCO-110-CV-PY-0001
ROUGH GRADING PLANS - W046S	BK-W046S-PEDCO-110-CV-DW-0001
STANDARD DRAWING FOR CULVERT & DETAILS	BK-GNRL-PEDCO-000-CV-DW-0014
STANDARD DETAILS OF MISCELLANEOUS ITEMS	BK-GNRL-PEDCO-000-CV-DW-0040
SPECIFICATION FOR EARTH WORK	BK-GNRL-PEDCO-000-CV-SP-0004
PLOT PLAN DRAWING - W046S	BK-W046S-PEDCO-110-PI-DW-0001
AREA ELECTRICAL CABLE ROUTE & SECTION LAYOUT OF WELL PADS	BK-SSQRL-PEDCO-110-EL-PY-0006
PLATFORM STRUCTURE DRAWING - W046S	BK-W046S-PEDCO-110-ST-DW-0012



D04	MAY.2023	APC	R. BERLOUI	M.PAKHARIAN	A.M.MOHSANI	***
D03	DEC.2022	IPA	R. BERLOUI	M.PAKHARIAN	M.MEHRSHAD	***
D02	SEP.2022	IPA	R. BERLOUI	M.PAKHARIAN	M.MEHRSHAD	***
D01	JUL.2022	IPA	R. BERLOUI	M.PAKHARIAN	M.MEHRSHAD	***
D00	MAY.2022	IPC	R. BERLOUI	M.PAKHARIAN	M.MEHRSHAD	***
REV.	DATE	P.O.I.S	PREP.	CHK.	APP.	AUT.

اصل و کلیه نسخ این نقشه و حق اقتباس متعلق به شرکت ملی مناطق نفت خیز جنوب میباشد.
THE ORIGINAL AND ALL COPIES OF THIS DRAWING TOGETHER WITH THE COPYRIGHT THEREIN ARE THE SOLE PROPERTY OF N.I.S.O.C./ FIELDS

PROJECT NAME: BINAK OILFIELD DEVELOPMENT/SUB-SURFACE WORK PACKAGES W046S WELLHEAD FACILITIES

PROJECT NO.: 971020

EPC CONTRACTOR: HIRGAN ENERGY - DESIGN & INSPECTION COMPANIES

EPD/EPC CONTRACTOR(GC): PETROIRAN DEVELOPMENT COMPANY

DRAWING TITLE: CIVIL AND STRUCTURAL DRAWINGS-W046S TREATMENT PAD FORMWORK - DETAIL & SECTION

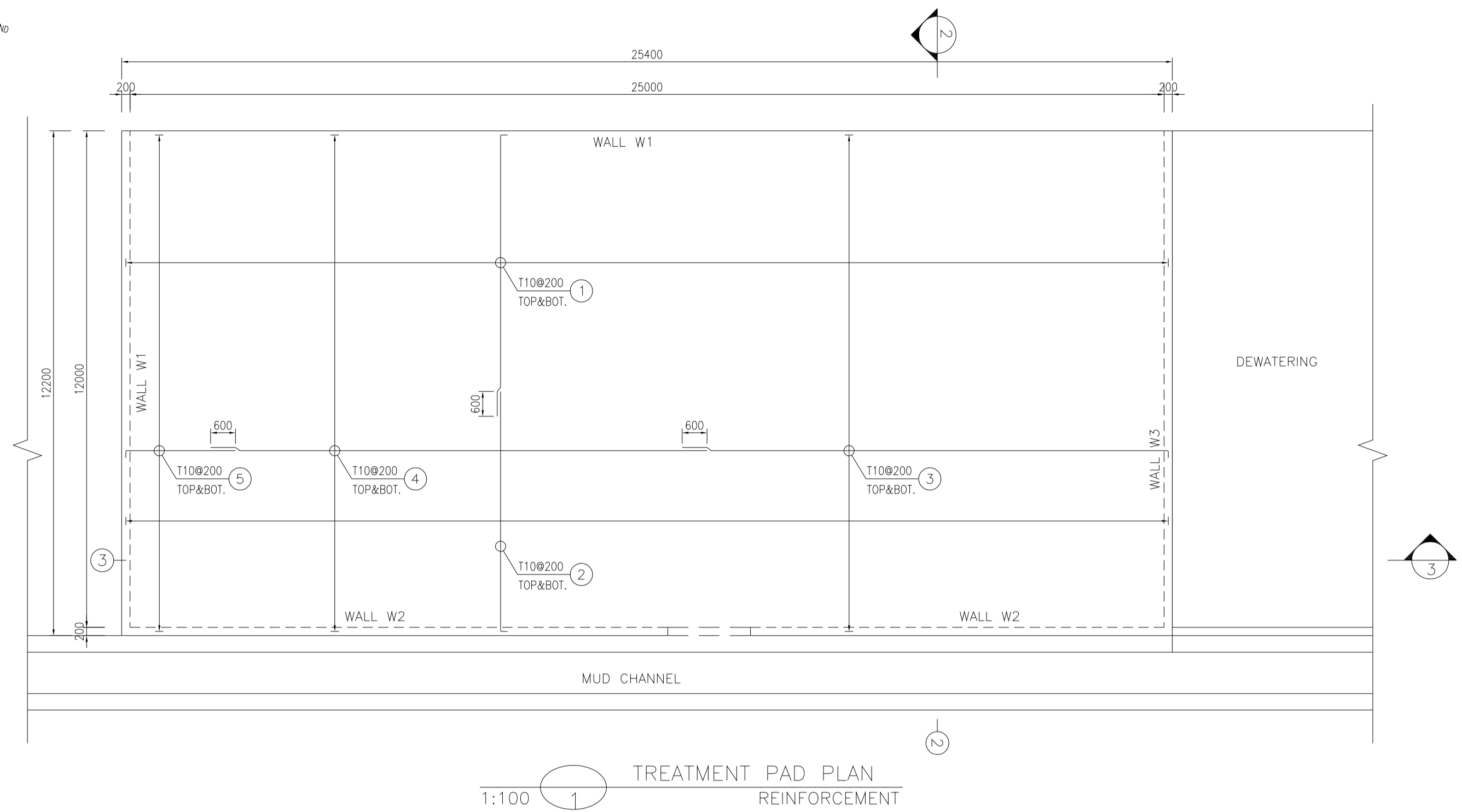
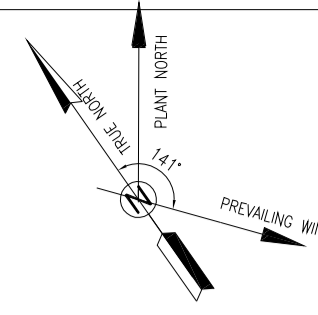
SCALE	SIZE	DRAWING NO.	SHEET NO.	REV.	BUDGET REF.	LOCATION	SIZE	CLASS	SERIAL NO.	SHEET	REVISION
AS SHOWN	A1	BK-W046S-PEDCO-110-CV-PY-0002	10 OF 46	D04	053-073-9184	F	4	S	707854	10	D04

NO CONSTRUCTION PERMITTED UNLESS DRAWING APPROVED

DATE	SCALE	DRAWING BY	CHECKED BY	PROJECT ENG.

APPROVED FOR CONSTRUCTION

BY:	DATE:



BAR BENDING SCHEDULE - TREATMENT PAD						
Pos	Spec.	Shape	L/A	No.	T10	
1	T10	150 6850	7.00	254	1778.0	
2	T10	150 5850	6.00	254	1524.0	
3	T10	150 11850	12.00	122	1464.0	
4	T10	150 12000	12.00	122	1464.0	
5	T10	150 2650	2.800	122	341.6	
6	T10	150 11850	12.00	2	24.0	
7	T10	150 1850	2.00	2	4.00	
8	T10	150 4000 150	10.40	2	20.80	
9	T10	150 520	0.67	119	79.73	
10	T10	150 3850	4.00	2	8.00	
11	T10	150 8850	9.00	4	36.0	
12	T10	150 520	0.67	244	163.48	
13	T10	150 3850	4.00	2	8.00	
14	T10	150 220	0.37	61	22.57	
TOTAL LENGTH OR AREA (m)					6938.18	
UNIT WEIGHT (Kg/m)					0.617	
WEIGHT (Kg)					4280.86	
GRAND TOTAL (Kg)					4300	

- NOTES**
- ALL COORDINATES ARE IN METER.
 - ALL DIMENSIONS ARE IN MILLIMETERS AND ELEVATIONS ARE IN METER.
 - ALL DRAWINGS SHALL BE CHECKED BY CONTRACTOR WITH RELATIVE DRAWINGS BEFORE CONSTRUCTION.
 - ACCORDING TO THE SPECIFICATION OF CONCRETE WORKS: "BK-GNRL-PEDCO-000-ST-SP-0001", 28 DAYS CHARACTERISTIC COMPRESSIVE STRENGTH OF MAIN CONCRETE IS 25 MPa (ON CYLINDRICAL SPECIMEN)
 - ACCORDING TO THE SPECIFICATION OF CONCRETE WORKS: "BK-GNRL-PEDCO-000-ST-SP-0001", 28 DAYS CHARACTERISTIC COMPRESSIVE STRENGTH OF LEAN CONCRETE IS 15 MPa (ON CYLINDRICAL SPECIMEN)
 - REINFORCING BARS SHALL BE S400 ACCORDING TO: ISIRI 3132 AND INBC9 WITH MINIMUM TENSILE YIELD STRENGTH 400 N/mm²
 - MINIMUM FOUNDATION NET CONCRETE COVER SHALL BE 75 mm.
 - SPECIFICATIONS OF THERMO PLAST ACRYLIC COLOR, BASED ON No. 3758 NATIONAL STANDARD CODE: DENSITY : 4.1-5.1 gr/cm³ THICKNESS : 300-400 MICRON GLOSS : DULL SOLID MATERIAL PERCENTAGE BY WEIGHT : 75%±2 SOLID MATERIAL PERCENTAGE BY VOLUME : 48%±2
 - JOINT SEALANT MATERIALS SHALL BE WEATHER-RESISTANT POLYURETHANE OR SILICONE SCH AS "AEROLASTIC 1674" OR SIMILAR AND SHALL CONFORM TO BS-4254 FOR VERTICAL JOINTS IN WALLS. THE FILLING MATERIAL MUST BE APPROVED BY THE WORKSHOP SUPERVISION
 - CONTRACTION JOINTS SHALL BE CONSIDERED IN CONCRETE SLABS EVERY 6m.
 - GEODETIC PARAMETERS FOR COORDINATES ARE AS BELOW: HORIZONTAL COORDINATE SYSTEM: WGS84/UTM ZONE 39 ELLIPSOID : WORLD GEODETIC SYSTEM 1984 (WGS84) MAP PROJECTION: UNIVERSAL TRANSVERSE MERCATOR (UTM) VERTICAL DATUM: MSL
 - ACCORDING TO THE GEOTECHNICAL REPORT SHOULD BE USED OF CEMENT TYPE 2.
 - JOINT FILLER SHALL BE ELASTIC MATERIAL. POLY ETHYLENE SHEETS OR CORK PARTICLES OR EQUIVALENT MATERIALS CAN BE USED
 - JOINT SEALANTS SHALL BE FOLLOWED ASTM D4299.
 - REFER TO THE PLOT PLAN FOR LOCATED FENCE IN THE CELLAR.

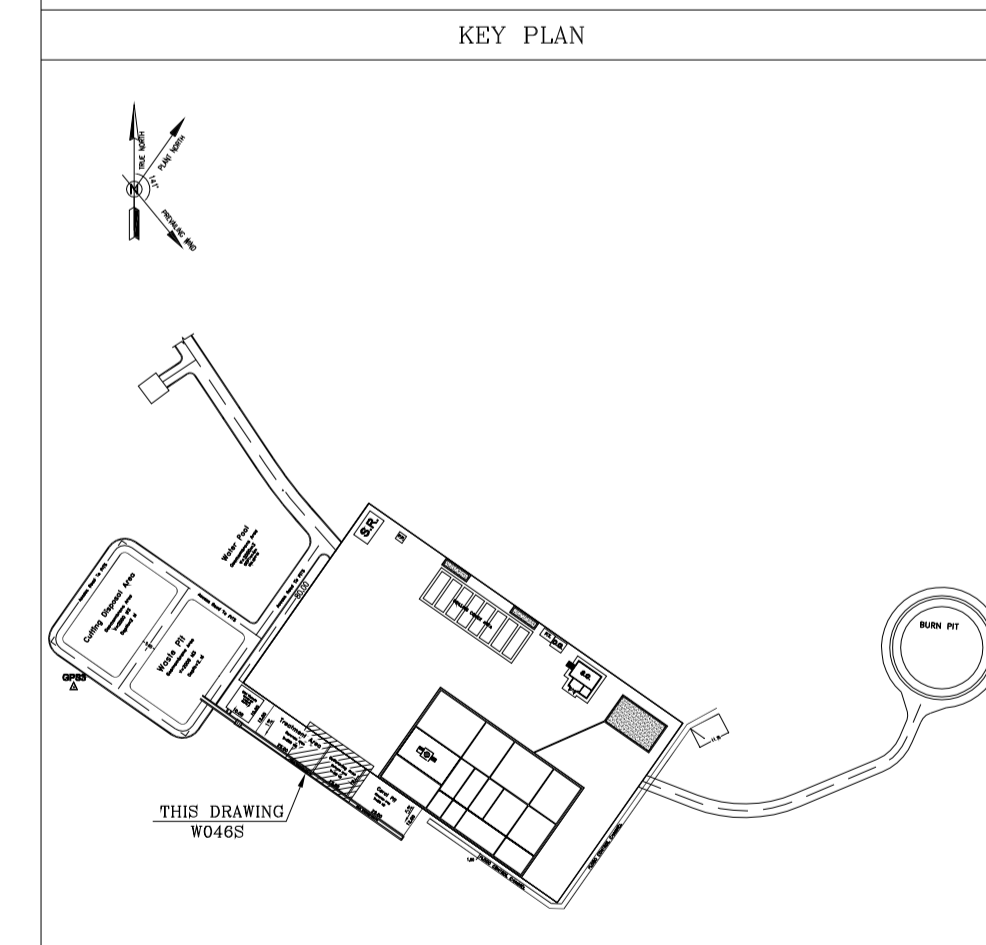
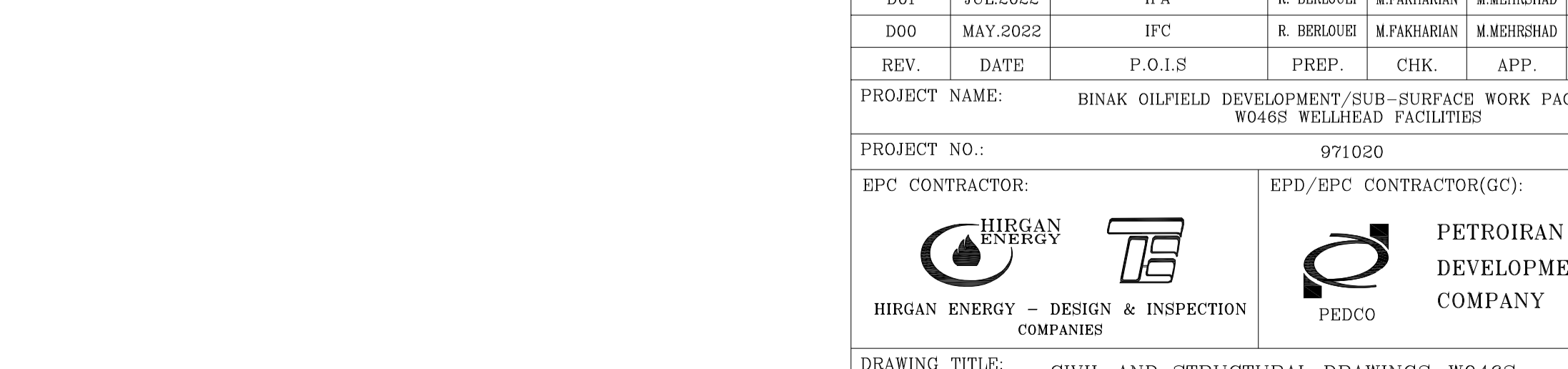
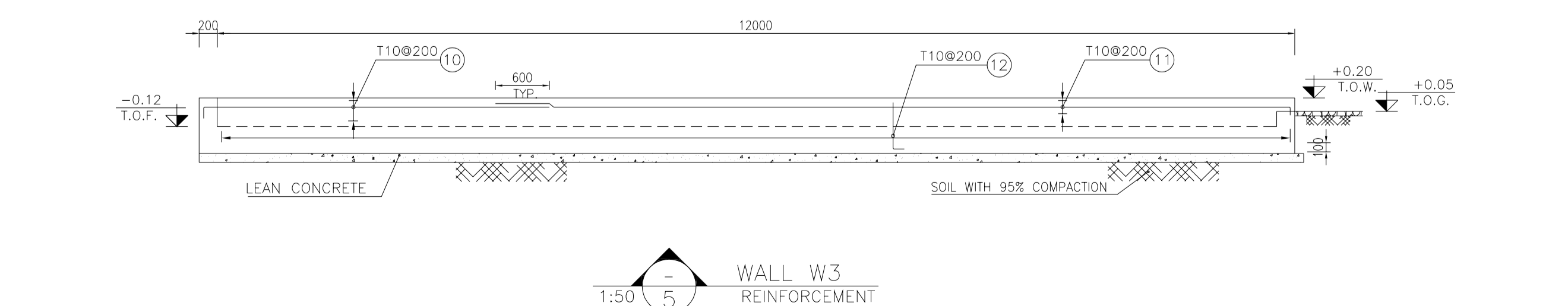
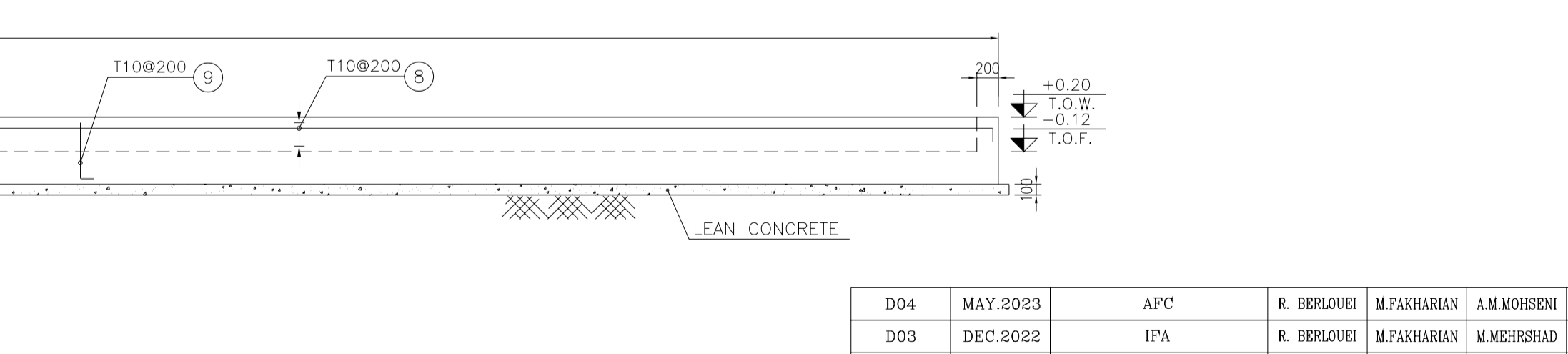
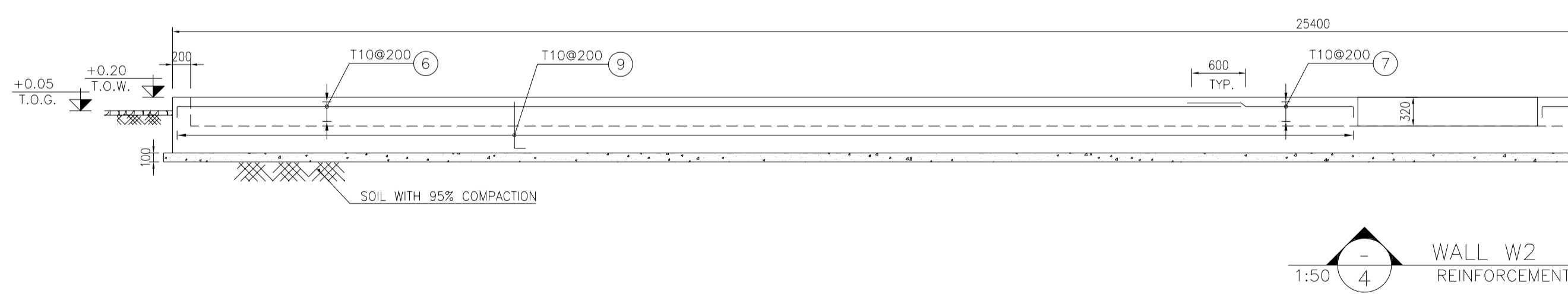
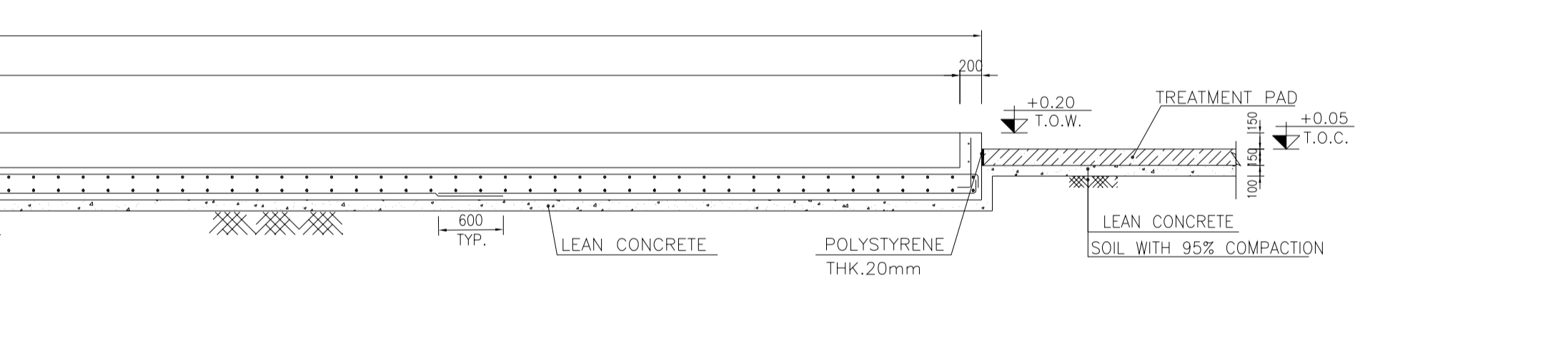
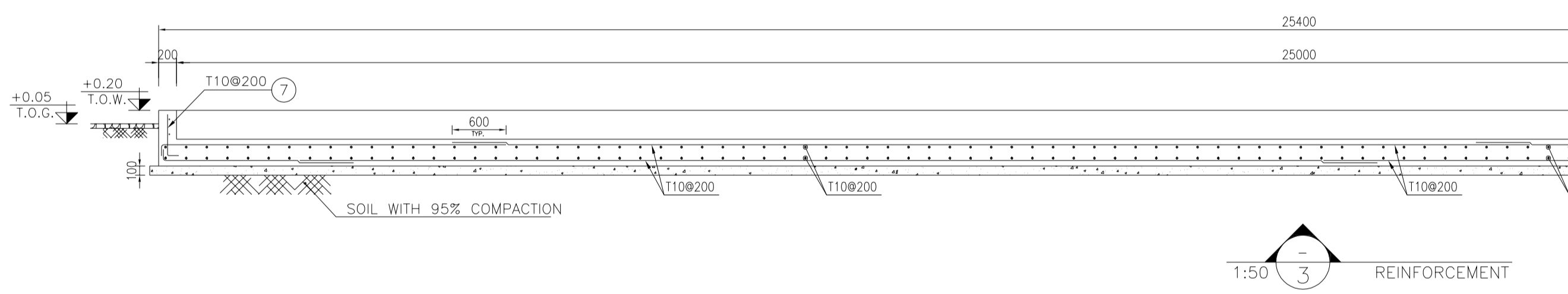
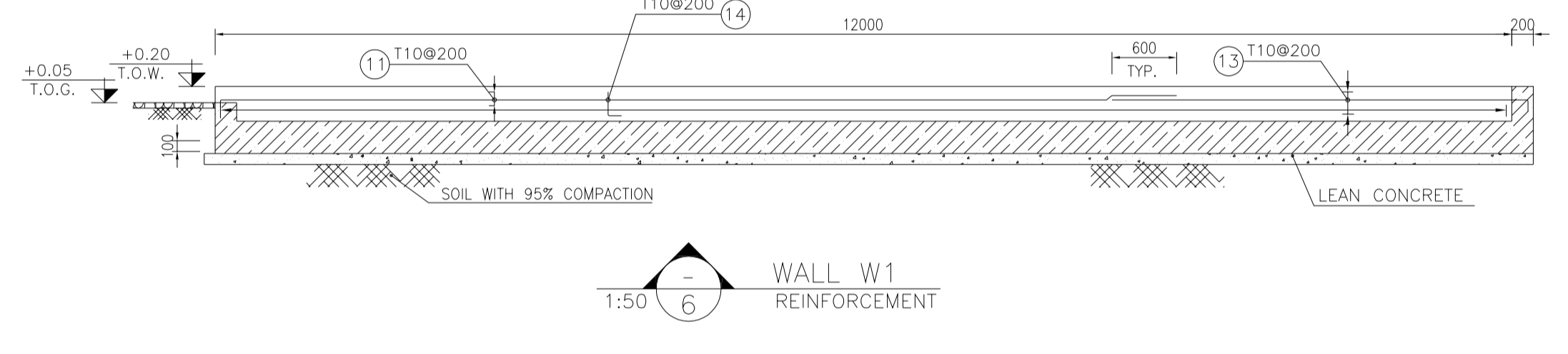
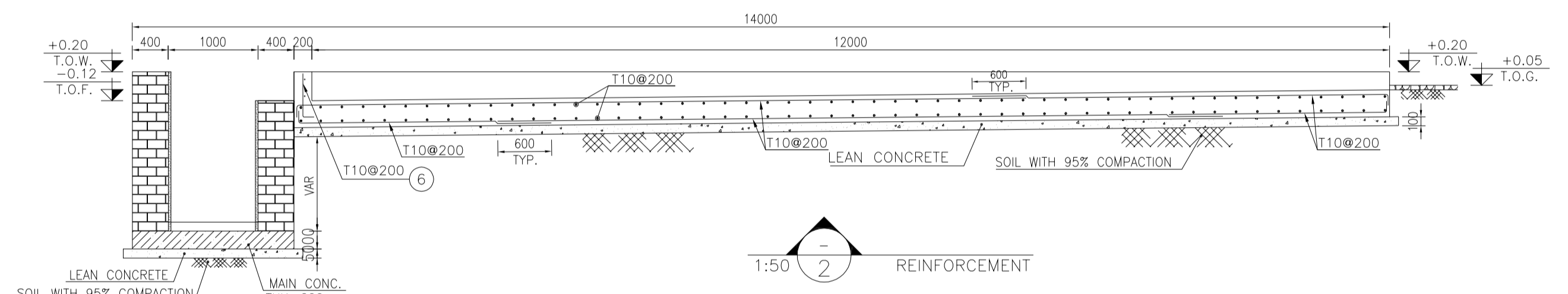
±0.00 = +57.00(R.G.L.)MSL

LEGEND AND ABBREVIATION

	REINFORCED CONCRETE	T.O.F.	TOP OF FOUNDATION
	LEAN CONCRETE	T.O.W.	TOP OF WALL
	CEMENT BLOCK WALL	T.O.C.	TOP OF CONCRETE
	GRAVEL	T.O.PIT	TOP OF PIT
	SUB GRADE	B.O.P.	BOTTOM OF PIPE
	SLOPE	R.G.L.	ROUGH GRADING LEVEL
		T.O.CH.	TOP OF CHANNEL

REFERENCE DRAWING

REFERENCE DRAWING	DRG. No.
SPECIFICATION FOR FENCE & GATE	BK-GNRL-PEDCO-000-CV-SP-0003
GENERAL NOTES - STEEL STRUCTURES	BK-GNRL-PEDCO-000-ST-DW-0011
GENERAL NOTES - REINFORCED CONCRETE STRUCTURES	BK-GNRL-PEDCO-000-ST-DW-0012
GENERAL CIVIL LAYOUT - W046S	BK-W046S-PEDCO-110-CV-PY-0001
ROUGH GRADING PLANS - W046S	BK-W046S-PEDCO-110-CV-DW-0001
STANDARD DRAWING FOR CULVERT & DETAILS	BK-GNRL-PEDCO-000-CV-DW-0014
STANDARD DETAILS OF MISCELLANEOUS ITEMS	BK-GNRL-PEDCO-000-CV-DW-0040
SPECIFICATION FOR EARTH WORK	BK-GNRL-PEDCO-000-CV-SP-0004
PLOT PLAN DRAWING - W046S	BK-W046S-PEDCO-110-PI-DW-0001
AREA ELECTRICAL CABLE ROUTE & SECTION LAYOUT OF WELL PADS	BK-SSQRL-PEDCO-110-EL-PY-0006
PLATFORM STRUCTURE DRAWING - W046S	BK-W046S-PEDCO-110-ST-DW-0012



REV.	DATE	DESCRIPTION	BY	DATE	BY	DATE
D04	MAY.2023	APC	R. BERLOURI	M.PAKHARIAN	A.M.MOHSSENI	** **
D03	DEC.2022	IPA	R. BERLOURI	M.PAKHARIAN	M.MEHRSHAD	** **
D02	SEP.2022	IPA	R. BERLOURI	M.PAKHARIAN	M.MEHRSHAD	** **
D01	JUL.2022	IPA	R. BERLOURI	M.PAKHARIAN	M.MEHRSHAD	** **
D00	MAY.2022	IPC	R. BERLOURI	M.PAKHARIAN	M.MEHRSHAD	** **

PROJECT NAME: BINAK OILFIELD DEVELOPMENT/SUB-SURFACE WORK PACKAGES W046S WELLHEAD FACILITIES

PROJECT NO.: 971020

EPC CONTRACTOR: HIRGAN ENERGY COMPANIES

EPD/EPC CONTRACTOR(GC): PETROIRAN DEVELOPMENT COMPANY

DRAWING TITLE: CIVIL AND STRUCTURAL DRAWINGS-W046S TREATMENT PAD REINFORCEMENT - DETAIL & SECTION

SCALE	SIZE	DRAWING NO.	SHEET NO.	REV.	BUDGET REF.	LOCATION	SIZE	CLASS	SERIAL NO.	SHEET	REVISION
AS SHOWN	A1	BK-W046S-PEDCO-110-CV-PY-0002	11 OF 46	D04	053-073-9184	F	4	S	707854	11	D04

امثل و کلیه نسخ این نقشه و حق اقتباس متعلق به شرکت ملی مناطق نفت خیز جنوب میباشد.

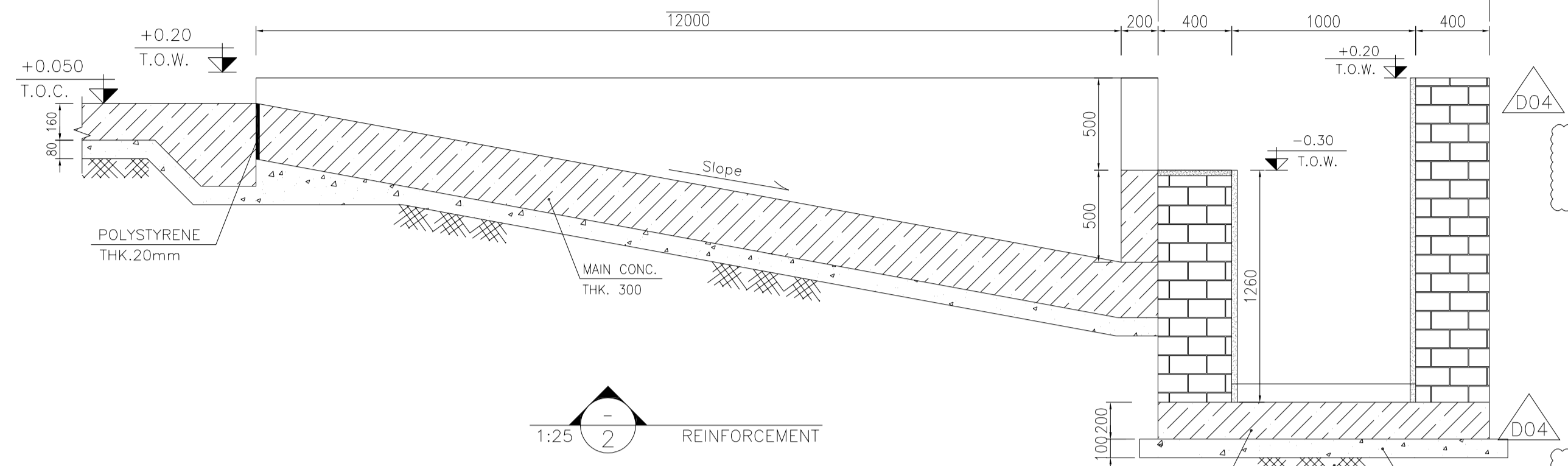
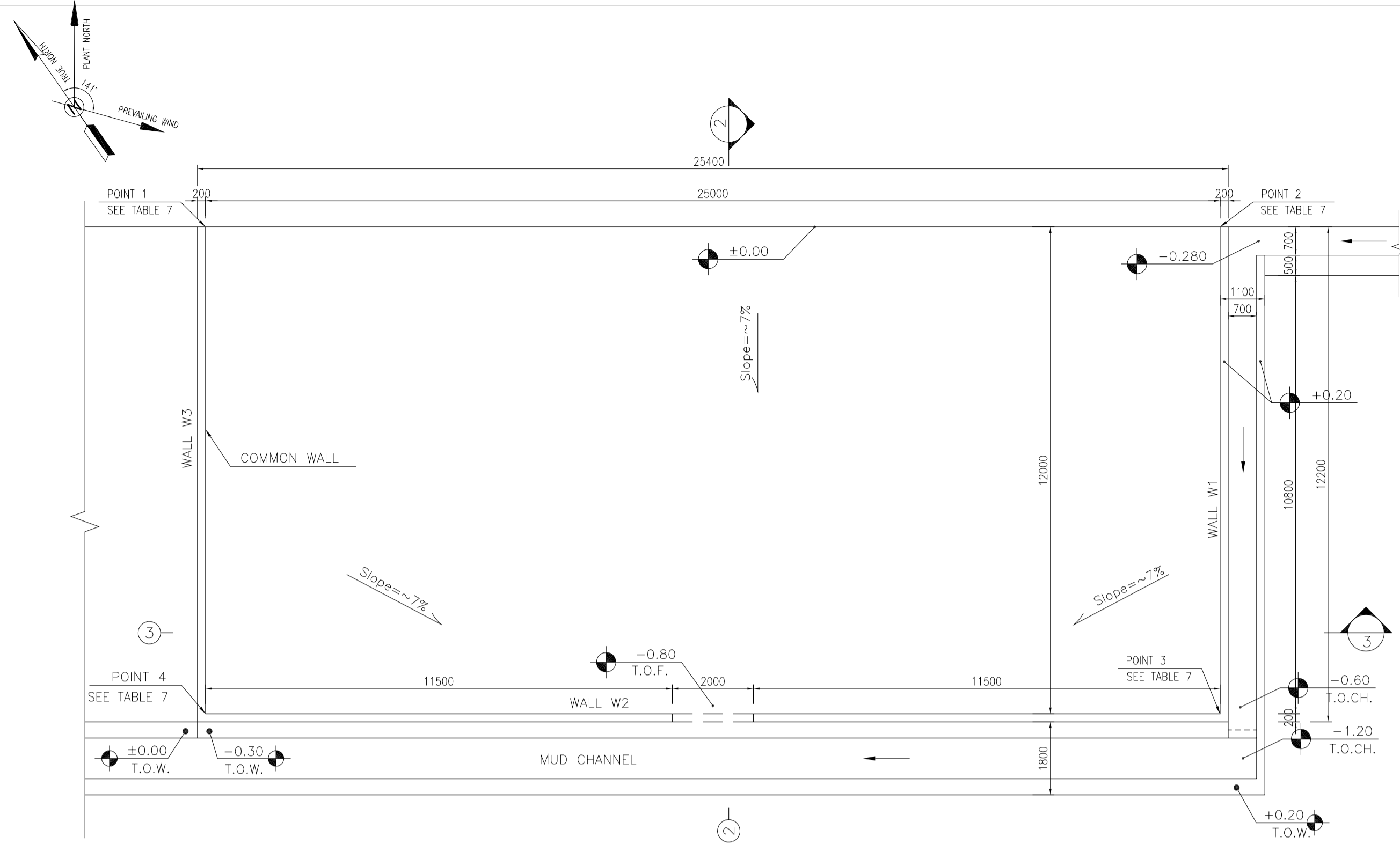
THE ORIGINAL AND ALL COPIES OF THIS DRAWING TOGETHER WITH THE COPYRIGHT THEREIN ARE THE SOLE PROPERTY OF N.I.S.O.C./ FIELDS

BINAK OILFIELD DEVELOPMENT SUB-SURFACE WORK PACKAGES W046S WELLHEAD FACILITIES

DATE	SCALE	DRAWING BY	CHECKED BY	PROJECT ENG.

NO CONSTRUCTION PERMITTED UNLESS DRAWING APPROVED

APPROVED FOR CONSTRUCTION BY: DATE:



- NOTES**
- ALL COORDINATES ARE IN METER.
 - ALL DIMENSIONS ARE IN MILLIMETERS AND ELEVATIONS ARE IN METER.
 - ALL DRAWINGS SHALL BE CHECKED BY CONTRACTOR WITH RELATIVE DRAWINGS BEFORE CONSTRUCTION.
 - ACCORDING TO THE SPECIFICATION OF CONCRETE WORKS: "BK-GNRL-PEDCO-000-ST-SP-0001", 28 DAYS CHARACTERISTIC COMPRESSIVE STRENGTH OF MAIN CONCRETE IS 25 MPa (ON CYLINDRICAL SPECIMEN)
 - ACCORDING TO THE SPECIFICATION OF CONCRETE WORKS: "BK-GNRL-PEDCO-000-ST-SP-0001", 28 DAYS CHARACTERISTIC COMPRESSIVE STRENGTH OF LEAN CONCRETE IS 15 MPa (ON CYLINDRICAL SPECIMEN)
 - REINFORCING BARS SHALL BE S400 ACCORDING TO: ISIRI3132 AND INBC9 WITH MINIMUM TENSILE YIELD STRENGTH 400 N/mm²
 - MINIMUM FOUNDATION NET CONCRETE COVER SHALL BE 75 mm.
 - SPECIFICATIONS OF THERMO PLAST ACRYLIC COLOR, BASED ON No.3758 NATIONAL STANDARD CODE: DENSITY : 4.1-5.1 gr/cm³ THICKNESS : 300-400 MICRON GLOSS : DULL SOLID MATERIAL PERCENTAGE BY WEIGHT : 75%±2 SOLID MATERIAL PERCENTAGE BY VOLUME : 48%±2
 - JOINT SEALANT MATERIALS SHALL BE WEATHER-RESISTANT POLYURETHANE OR SILICONE SCH AS "AEROLASTIC 1674" OR SIMILAR AND SHALL CONFORM TO BS-4254 FOR VERTICAL JOINTS IN WALLS. THE FILLING MATERIAL MUST BE APPROVED BY THE WORKSHOP SUPERVISION
 - CONTRACTION JOINTS SHALL BE CONSIDERED IN CONCRETE SLABS EVERY 6m.
 - GEODETIC PARAMETERS FOR COORDINATES ARE AS BELOW: HORIZONTAL COORDINATE SYSTEM: WGS84/UTM ZONE 39 ELLIPSOID : WORLD GEODETIC SYSTEM 1984 (WGS84) MAP PROJECTION : UNIVERSAL TRANSVERSE MERCATOR (UTM) VERTICAL DATUM : MSL
 - ACCORDING TO THE GEOTECHNICAL REPORT SHOULD BE USED OF CEMENT TYPE 2.
 - JOINT FILLER SHALL BE ELASTIC MATERIAL. POLY ETHYLENE SHEETS OR CORK PARTICLES OR EQUIVALENT MATERIALS CAN BE USED
 - JOINT SEALANTS SHALL BE FOLLOWED ASTM D2499.
 - REFER TO THE PLOT PLAN FOR LOCATED FENCE IN THE CELLAR.

±0.00 = +57.00(R.G.L.)MSL

LEGEND AND ABBREVIATION

	REINFORCED CONCRETE	T.O.F.	TOP OF FOUNDATION
	LEAN CONCRETE	T.O.W.	TOP OF WALL
	CEMENT BLOCK WALL	T.O.C.	TOP OF CONCRETE
	GRAVEL	T.O.PIT	TOP OF PIT
	SUB GRADE	B.O.P.	BOTTOM OF PIPE
	SLOPE	R.G.L.	ROUGH GRADING LEVEL
		T.O.CH.	TOP OF CHANNEL

REFERENCE DRAWING	DRG. No.
SPECIFICATION FOR FENCE & GATE	BK-GNRL-PEDCO-000-CV-SP-0003
GENERAL NOTES - STEEL STRUCTURES	BK-GNRL-PEDCO-000-ST-DW-0011
GENERAL NOTES - REINFORCED CONCRETE STRUCTURES	BK-GNRL-PEDCO-000-ST-DW-0012
GENERAL CIVIL LAYOUT - W046S	BK-W046S-PEDCO-110-CV-PY-0001
ROUGH GRADING PLANS - W046S	BK-W046S-PEDCO-110-CV-DW-0001
STANDARD DRAWING FOR CULVERT & DETAILS	BK-GNRL-PEDCO-000-CV-DW-0014
STANDARD DETAILS OF MISCELLANEOUS ITEMS	BK-GNRL-PEDCO-000-CV-DW-0040
SPECIFICATION FOR EARTH WORK	BK-GNRL-PEDCO-000-CV-SP-0004
PLOT PLAN DRAWING - W046S	BK-W046S-PEDCO-110-PI-DW-0001
AREA ELECTRICAL CABLE ROUTE & SECTION LAYOUT OF WELL PADS	BK-SSQRL-PEDCO-110-EL-PY-0006
PLATFORM STRUCTURE DRAWING - W046S	BK-W046S-PEDCO-110-ST-DW-0012

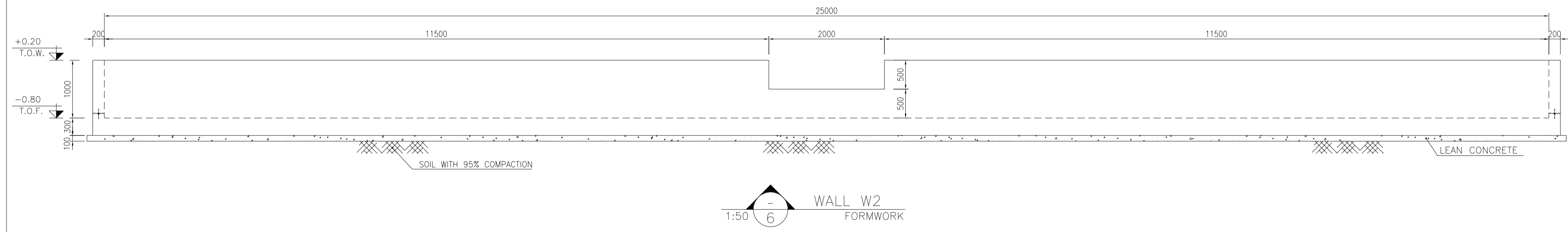
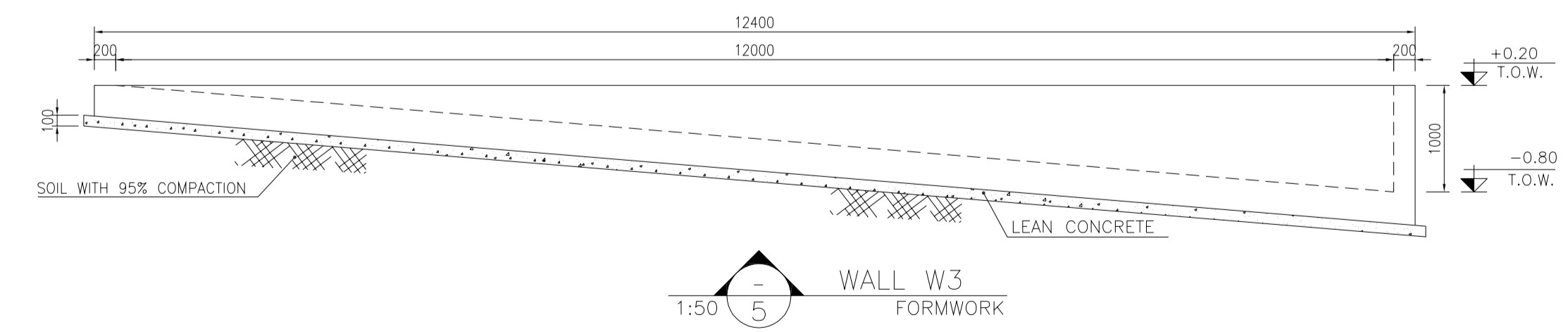
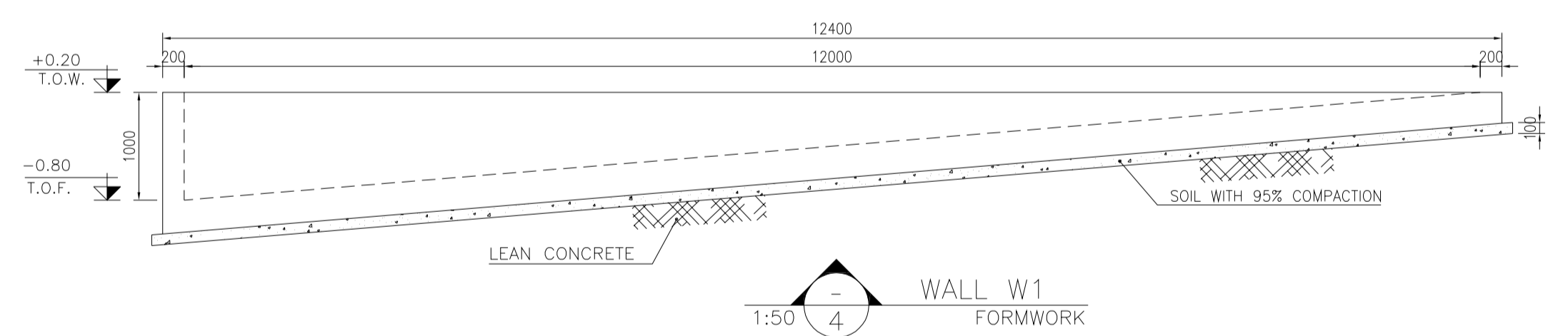
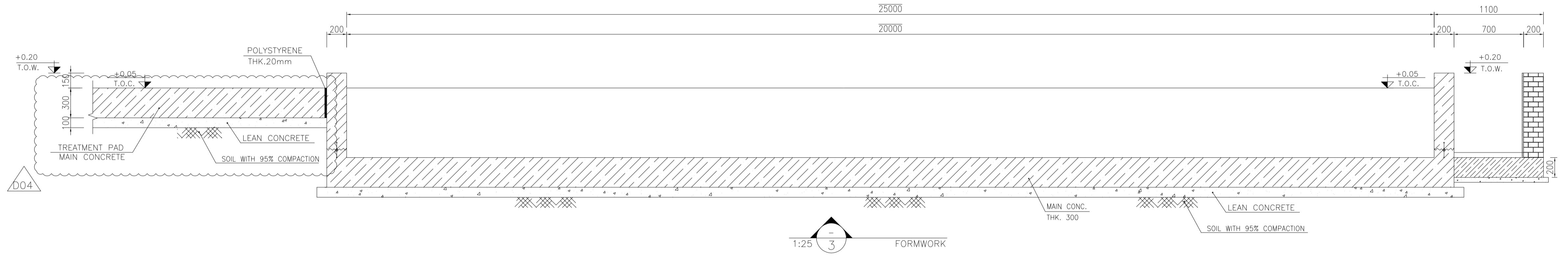
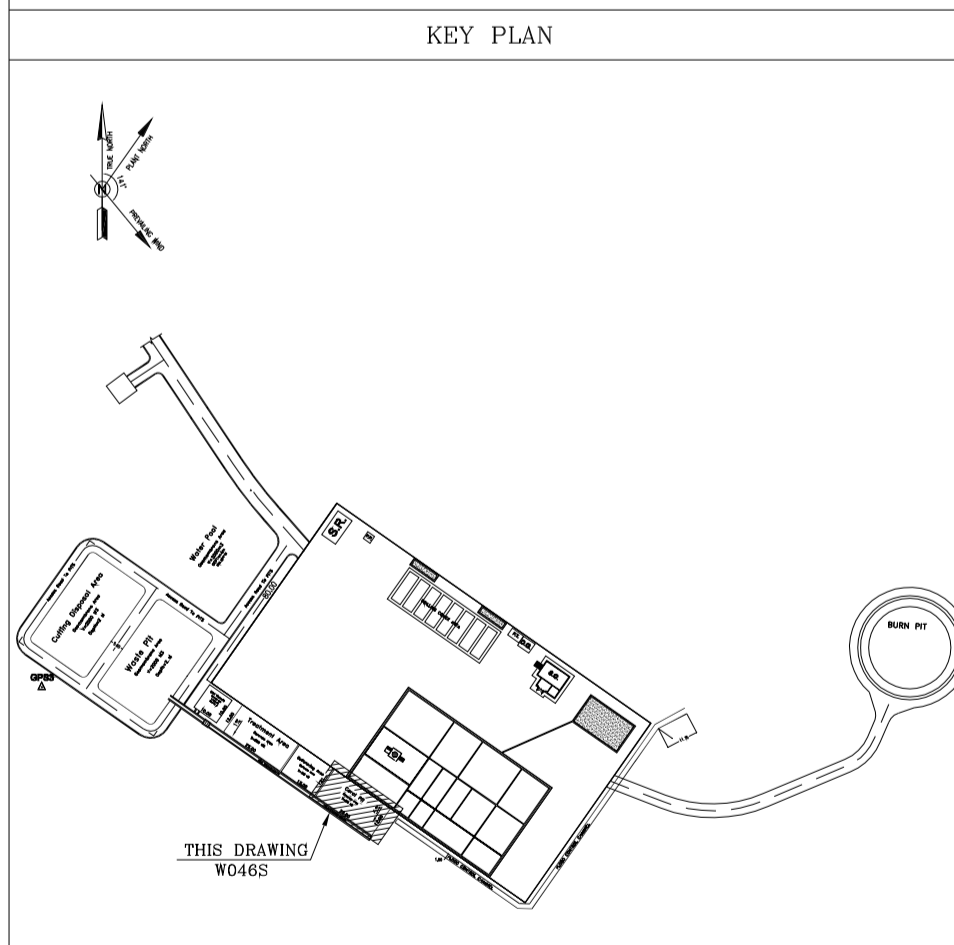


TABLE 7 (CORNERS COORDINATES)

POINT	E	N
POINT 1	E=435582.373	N=3294374.277
POINT 2	E=435602.853	N=3294359.939
POINT 3	E=435595.971	N=3294350.108
POINT 4	E=435575.491	N=3294364.446



REV.	DESCRIPTION	BY	DATE	BY	DATE
D04	MAY.2023	APC			
D03	DEC.2022	IPA			
D02	SEP.2022	IPA			
D01	JUL.2022	IPA			
D00	MAY.2022	IPC			

REV.	DATE	P.O.I.S	PREP.	CHK.	APP.	AUT.
D04	MAY.2023	APC	R. BERLOURI	M.PAKHARIAN	A.M.MOHSANI	** **
D03	DEC.2022	IPA	R. BERLOURI	M.PAKHARIAN	M.MEHRSHAD	** **
D02	SEP.2022	IPA	R. BERLOURI	M.PAKHARIAN	M.MEHRSHAD	** **
D01	JUL.2022	IPA	R. BERLOURI	M.PAKHARIAN	M.MEHRSHAD	** **
D00	MAY.2022	IPC	R. BERLOURI	M.PAKHARIAN	M.MEHRSHAD	** **

امر و کلیه نسخ این نقشه و حق اقتباس متعلق به شرکت ملی مناطق نفت خیز جنوب میباشد.

THE ORIGINAL AND ALL COPIES OF THIS DRAWING TOGETHER WITH THE COPYRIGHT THEREIN ARE THE SOLE PROPERTY OF N.I.S.O.C./ FIELDS

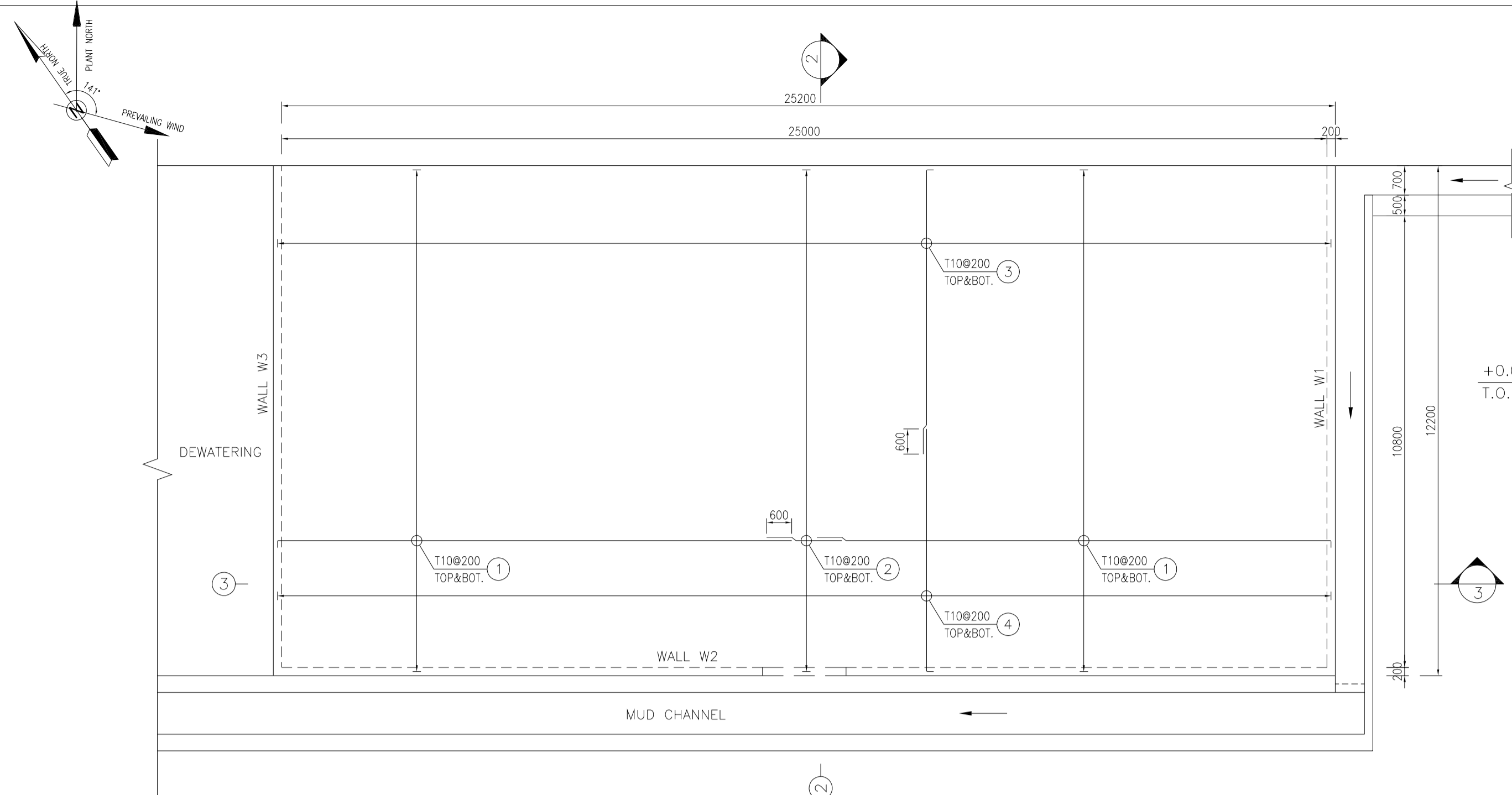
BINAK OILFIELD DEVELOPMENT SUB-SURFACE WORK PACKAGES W046S WELLHEAD FACILITIES

DATE	SCALE	DRAWING BY	CHECKED BY	PROJECT ENG.

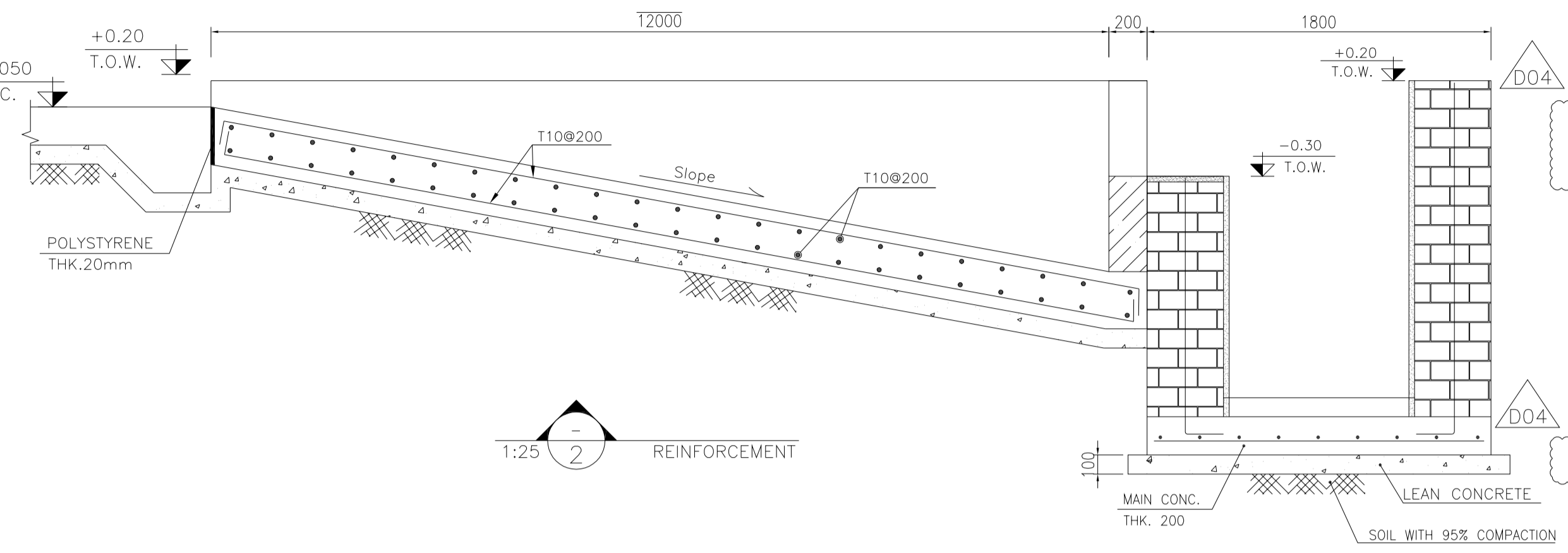
NO CONSTRUCTION PERMITTED UNLESS DRAWING APPROVED

APPROVED FOR CONSTRUCTION	BY:	DATE:

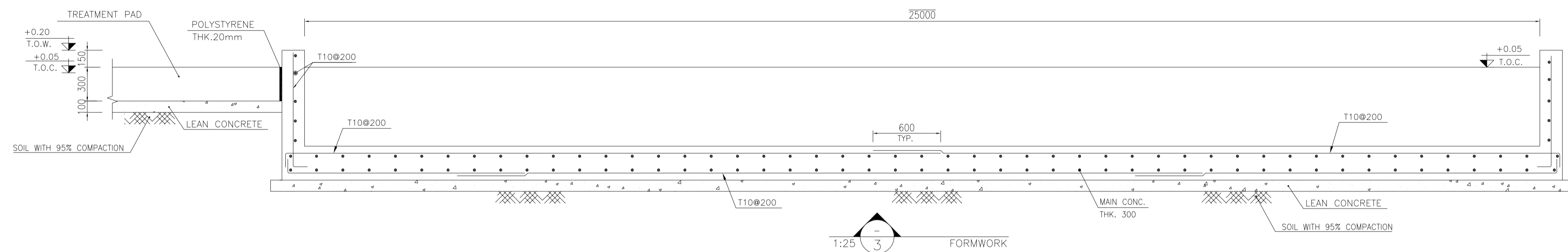
SCALE	SIZE	DRAWING NO.	SHEET NO.	REV.	BUDGET REF.	LOCATION	SIZE	CLASS	SERIAL NO.	SHEET	REVISION
AS SHOWN	A1	BK-W046S-PEDCO-110-CV-PY-0002	12 OF 46	D04	053-073-9184	F	4	S	707854	12	D04



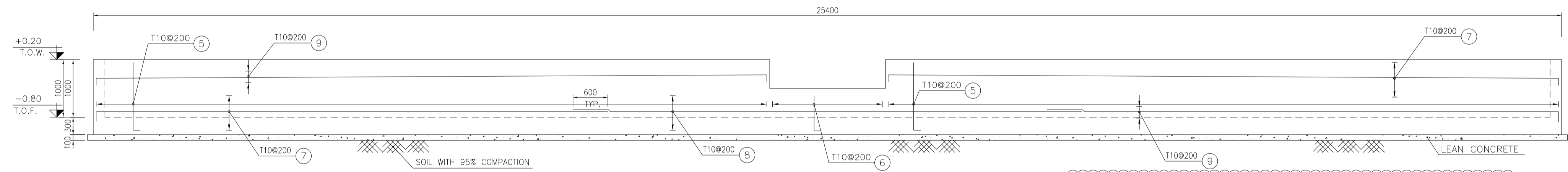
1 CORAL PIT PLAN REINFORCEMENT 1:100



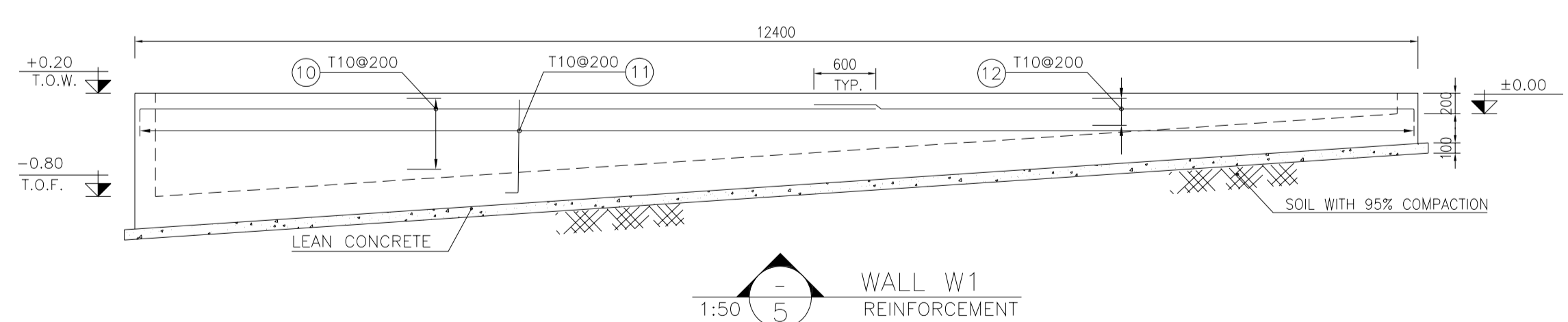
2 REINFORCEMENT 1:25



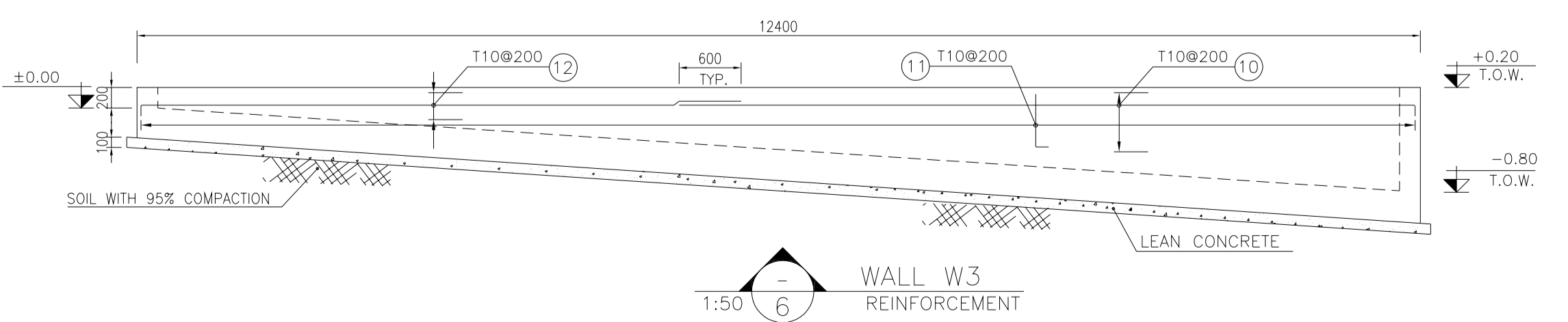
3 FORMWORK 1:25



4 WALL W2 REINFORCEMENT 1:50



5 WALL W1 REINFORCEMENT 1:50



6 WALL W3 REINFORCEMENT 1:50

BAR BENDING SCHEDULE - CORAL PIT					
Pos	Spec.	Shape	L/A	No.	T10
1	T10	150 11850	12.00	244	2928.0
2	T10	1800	1.80	244	439.2
3	T10	150 6850	7.00	254	1778.0
4	T10	150 5850	6.00	254	1524.0
5	T10	150 11850	12.00	178	2136.0
6	T10	150 3950	5.50	22	121.0
7	T10	150 8850	9.00	6	54.0
8	T10	150 8650	8.80	3	26.40
9	T10	150 11700 150	12.00	4	48.00
10	T10	150 7100 150	7.25	8	58.0
11	T10	150 520	0.67	122	81.74
12	T10	150 5850	6.00	6	36.0
TOTAL LENGTH OR AREA (m)					17225.0
UNIT WEIGHT (Kg/m)					0.617
WEIGHT (Kg)					10627.83
GRAND TOTAL (Kg)					10650

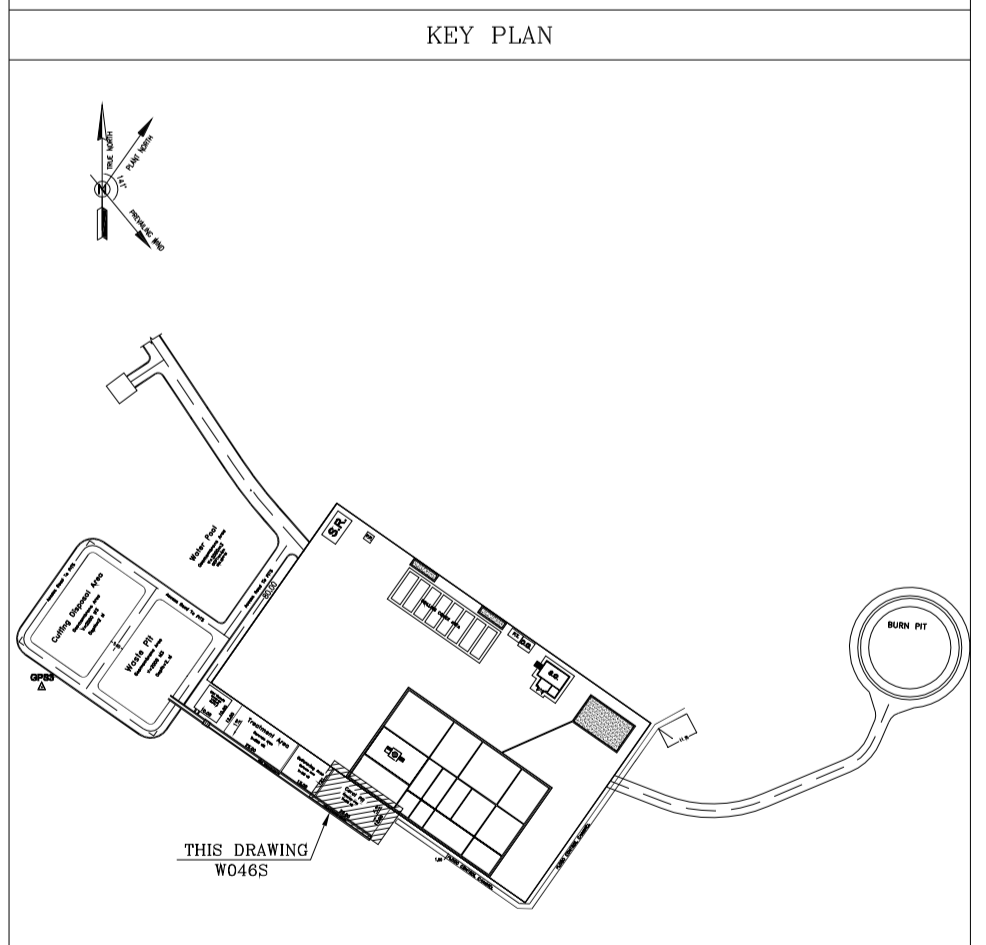
- NOTES**
- ALL COORDINATES ARE IN METER.
 - ALL DIMENSIONS ARE IN MILLIMETERS AND ELEVATIONS ARE IN METER.
 - ALL DRAWINGS SHALL BE CHECKED BY CONTRACTOR WITH RELATIVE DRAWINGS BEFORE CONSTRUCTION.
 - ACCORDING TO THE SPECIFICATION OF CONCRETE WORKS: "BK-GNRL-PEDCO-000-ST-SP-0001", 28 DAYS CHARACTERISTIC COMPRESSIVE STRENGTH OF MAIN CONCRETE IS 25 MPa (ON CYLINDRICAL SPECIMEN)
 - ACCORDING TO THE SPECIFICATION OF CONCRETE WORKS: "BK-GNRL-PEDCO-000-ST-SP-0001", 28 DAYS CHARACTERISTIC COMPRESSIVE STRENGTH OF LEAN CONCRETE IS 15 MPa (ON CYLINDRICAL SPECIMEN)
 - REINFORCING BARS SHALL BE S400 ACCORDING TO: ISIRI3132 AND INBC9 WITH MINIMUM TENSILE YIELD STRENGTH 400 N/mm²
 - MINIMUM FOUNDATION NET CONCRETE COVER SHALL BE 75 mm.
 - SPECIFICATIONS OF THERMO PLAST ACRYLIC COLOR, BASED ON No.3758 NATIONAL STANDARD CODE: DENSITY : 4.1-5.1 gr/cm³ THICKNESS : 300-400 MICRON GLOSS : DULL SOLID MATERIAL PERCENTAGE BY WEIGHT : 75%±2 SOLID MATERIAL PERCENTAGE BY VOLUME : 48%±2
 - JOINT SEALANT MATERIALS SHALL BE WETHER-RESISTANT POLYURETHANE OR SILICONE SCH AS "AEROLASTIC 1674" OR SIMILAR AND SHALL CONFORM TO BS-4254 FOR VERTICAL JOINTS IN WALLS. THE FILLING MATERIAL MUST BE APPROVED BY THE WORKSHOP SUPERVISION
 - CONTRACTION JOINTS SHALL BE CONSIDERED IN CONCRETE SLABS EVERY 6m.
 - GEODETIC PARAMETERS FOR COORDINATES ARE AS BELOW: HORIZONTAL COORDINATE SYSTEM: WGS84/UTM ZONE 39 ELLIPSOID : WORLD GEODETIC SYSTEM 1984 (WGS84) MAP PROJECTION: UNIVERSAL TRANSVERSE MERCATOR (UTM) VERTICAL DATUM: MSL
 - ACCORDING TO THE GEOTECHNICAL REPORT SHOULD BE USED OF CEMENT TYPE 2.
 - JOINT FILLER SHALL BE ELASTIC MATERIAL. POLY ETHYLENE SHEETS OR CORK PARTICLES OR EQUIVALENT MATERIALS CAN BE USED
 - JOINT SEALANTS SHALL BE FOLLOWED ASTM D2499.
 - REFER TO THE PLOT PLAN FOR LOCATED FENCE IN THE CELLAR.
- ±0.00 = +57.00(R.G.L.)MSL

LEGEND AND ABBREVIATION

	REINFORCED CONCRETE	T.O.F.	TOP OF FOUNDATION
	LEAN CONCRETE	T.O.W.	TOP OF WALL
	CEMENT BLOCK WALL	T.O.C.	TOP OF CONCRETE
	GRAVEL	T.O.PIT	TOP OF PIT
	SUB GRADE	B.O.P.	BOTTOM OF PIPE
	SLOPE	R.G.L.	ROUGH GRADING LEVEL
		T.O.CH.	TOP OF CHANNEL

REFERENCE DRAWING

REFERENCE DRAWING	DRG. No.
SPECIFICATION FOR FENCE & GATE	BK-GNRL-PEDCO-000-CV-SP-0003
GENERAL NOTES - STEEL STRUCTURES	BK-GNRL-PEDCO-000-ST-DW-0011
GENERAL NOTES - REINFORCED CONCRETE STRUCTURES	BK-GNRL-PEDCO-000-ST-DW-0012
GENERAL CIVIL LAYOUT - W046S	BK-W046S-PEDCO-110-CV-PY-0001
ROUGH GRADING PLANS - W046S	BK-W046S-PEDCO-110-CV-DW-0001
STANDARD DRAWING FOR CULVERT & DETAILS	BK-GNRL-PEDCO-000-CV-DW-0014
STANDARD DETAILS OF MISCELLANEOUS ITEMS	BK-GNRL-PEDCO-000-CV-DW-0040
SPECIFICATION FOR EARTH WORK	BK-GNRL-PEDCO-000-CV-SP-0004
PLOT PLAN DRAWING - W046S	BK-W046S-PEDCO-110-PI-DW-0001
AREA ELECTRICAL CABLE ROUTE & SECTION LAYOUT OF WELL PADS	BK-SSQRL-PEDCO-110-EL-PY-0006
PLATFORM STRUCTURE DRAWING - W046S	BK-W046S-PEDCO-110-ST-DW-0012



REV.	DATE	P.O.I.S	PREP.	CHK.	APP.	AUT.
D04	MAY.2023	APC	R. BERLOURI	M.PAKHARIAN	A.M.MOHSSENI	***
D03	DEC.2022	IPA	R. BERLOURI	M.PAKHARIAN	M.MEHRSHAD	***
D02	SEP.2022	IPA	R. BERLOURI	M.PAKHARIAN	M.MEHRSHAD	***
D01	JUL.2022	IPA	R. BERLOURI	M.PAKHARIAN	M.MEHRSHAD	***
D00	MAY.2022	IPC	R. BERLOURI	M.PAKHARIAN	M.MEHRSHAD	***

PROJECT NAME: BINAK OILFIELD DEVELOPMENT/SUB-SURFACE WORK PACKAGES W046S WELLHEAD FACILITIES

PROJECT NO.: 971020

EPC CONTRACTOR: HIRGAN ENERGY

EPD/EPC CONTRACTOR(GC): PETROIRAN DEVELOPMENT COMPANY

DRAWING TITLE: CIVIL AND STRUCTURAL DRAWINGS-W046S CORAL PIT REINFORCEMENT PLAN - DETAIL & SECTION

SCALE	SIZE	DRAWING NO.	SHEET NO.	REV.	BUDGET REF.	LOCATION	SIZE	CLASS	SERIAL NO.	SHEET	REVISION
AS SHOWN	A1	BK-W046S-PEDCO-110-CV-PY-0002	13 OF 46	D04	053-073-9184	F	4	S	707854	13	D04

امثل و کلیه نسخ این نقشه و حق اقتباس متعلق به شرکت ملی مناطق نفت خیز جنوب می باشد.

THE ORIGINAL AND ALL COPIES OF THIS DRAWING TOGETHER WITH THE COPYRIGHT THEREIN ARE THE SOLE PROPERTY OF N.I.S.O.C./ FIELDS

BINAK OILFIELD DEVELOPMENT SUB-SURFACE WORK PACKAGES W046S WELLHEAD FACILITIES

DATE	SCALE	DRAWING BY	CHECKED BY	PROJECT ENG.

NO CONSTRUCTION PERMITTED UNLESS DRAWING APPROVED

APPROVED FOR CONSTRUCTION

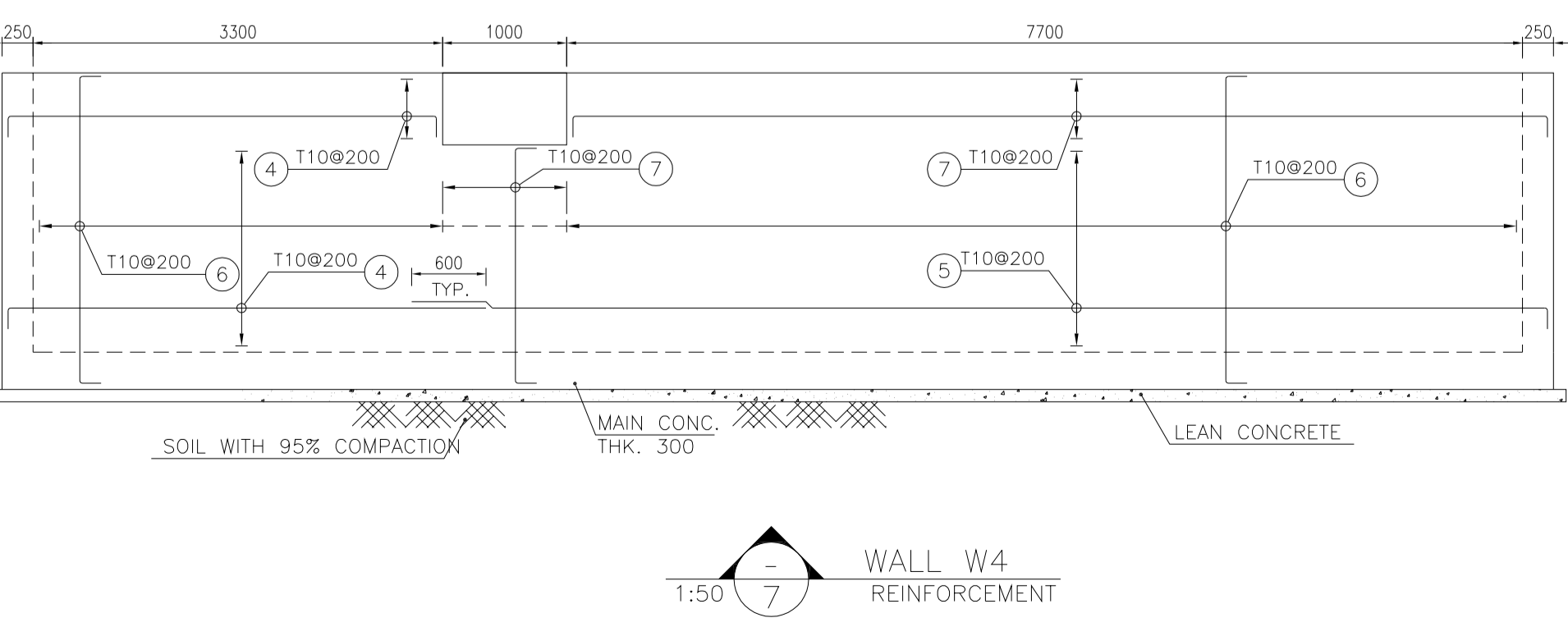
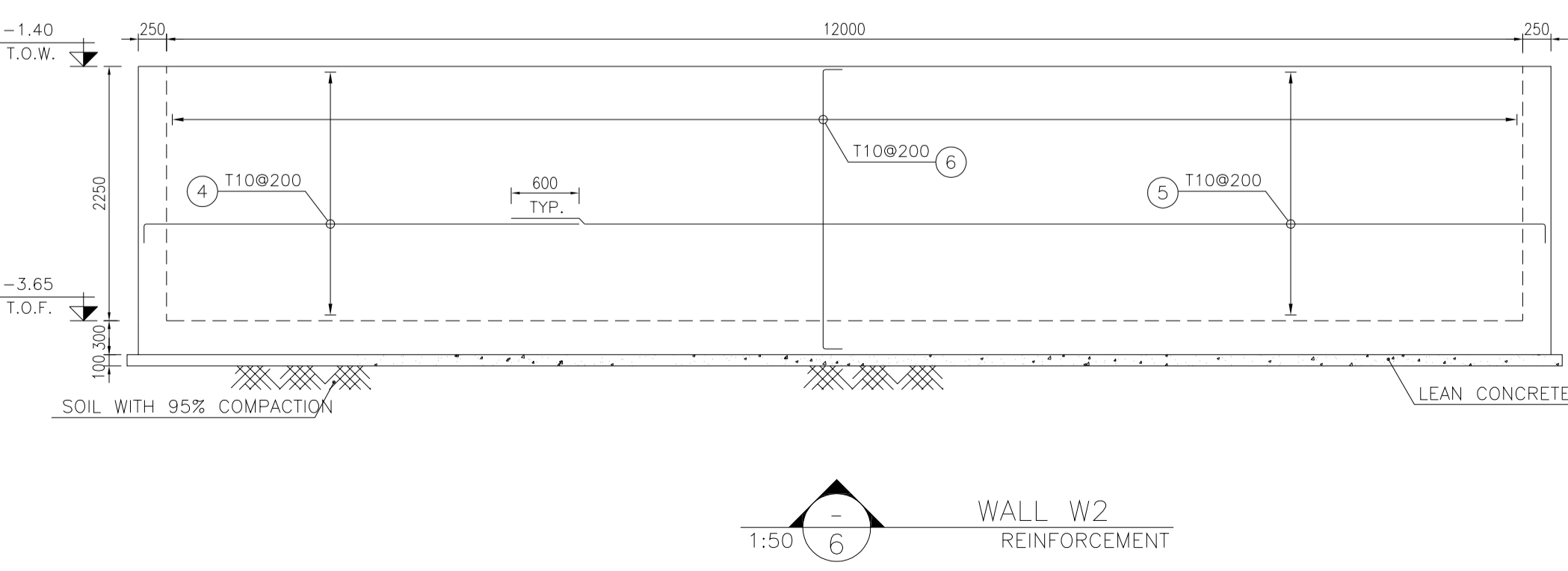
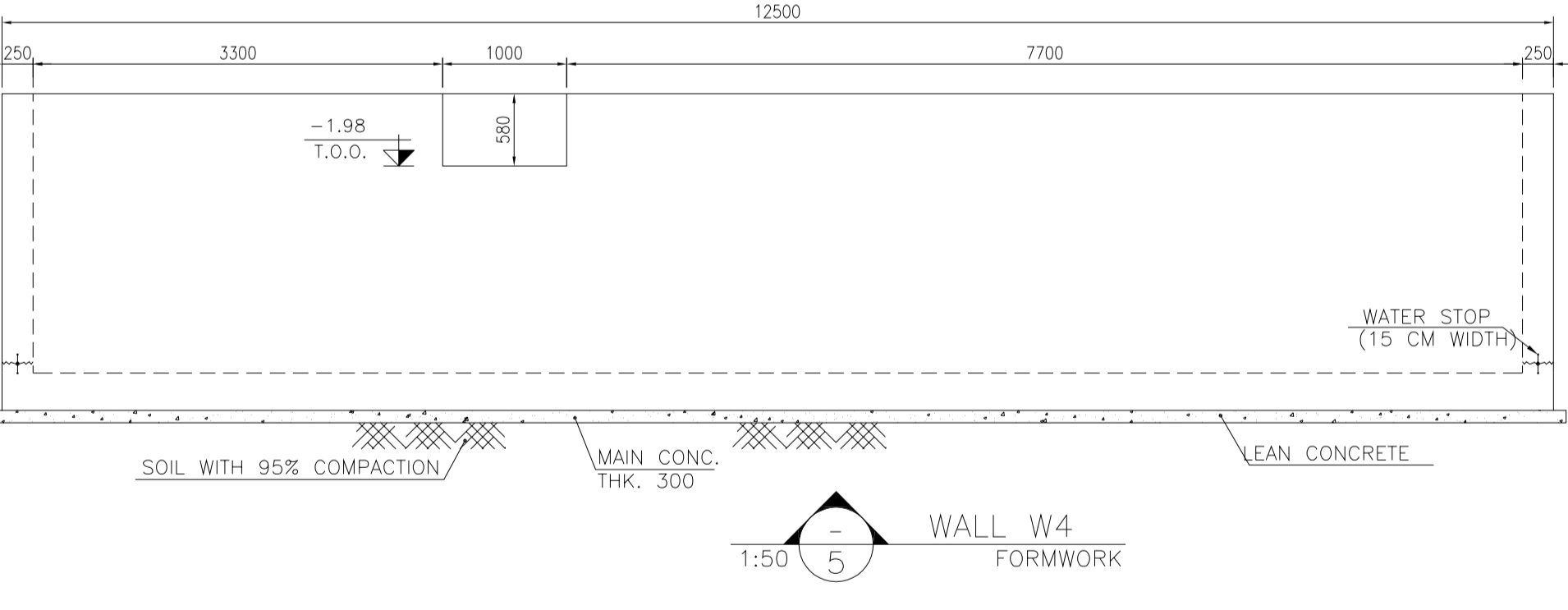
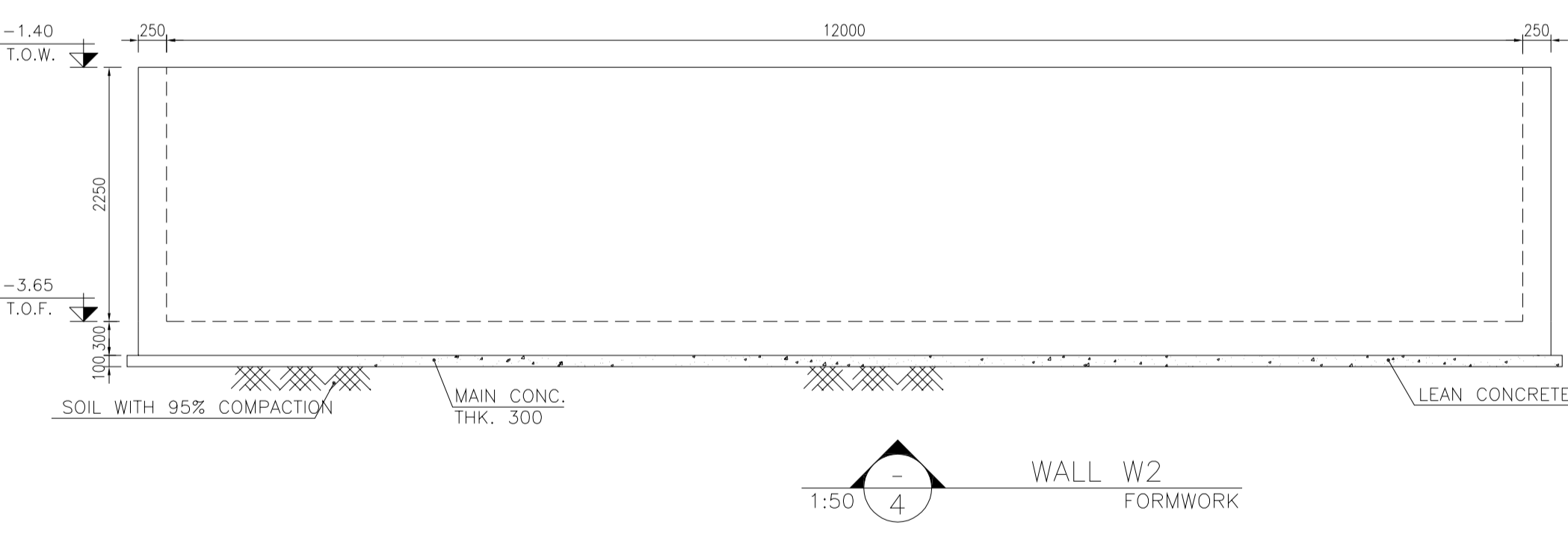
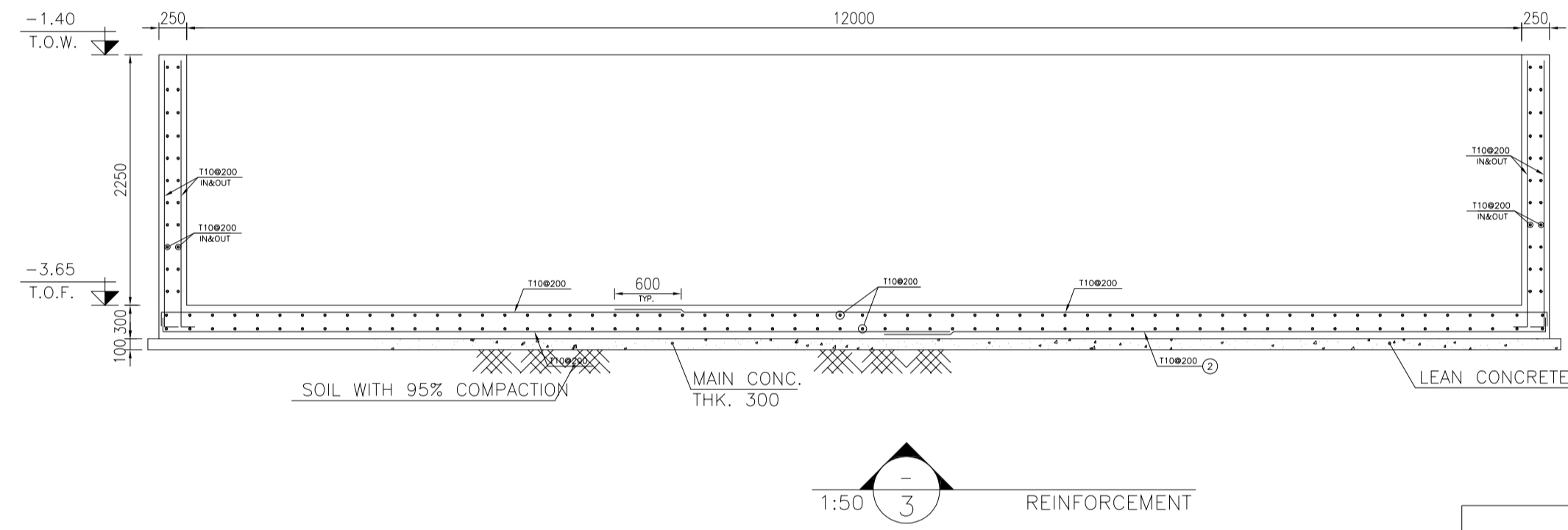
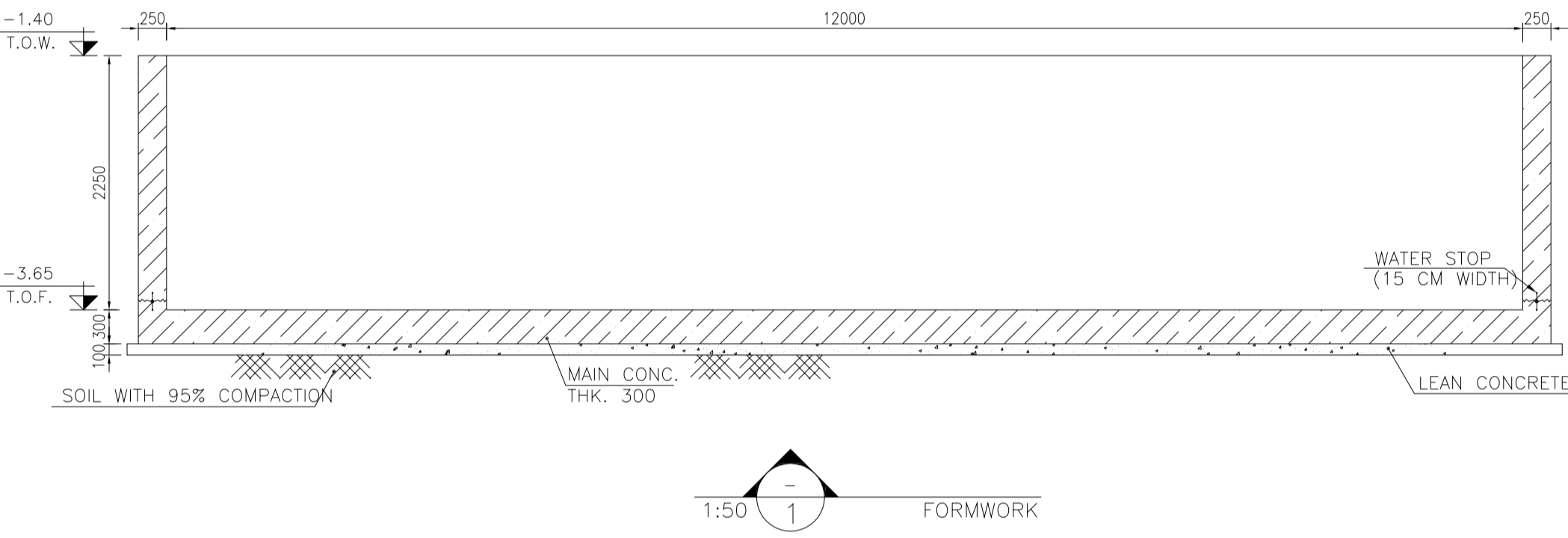
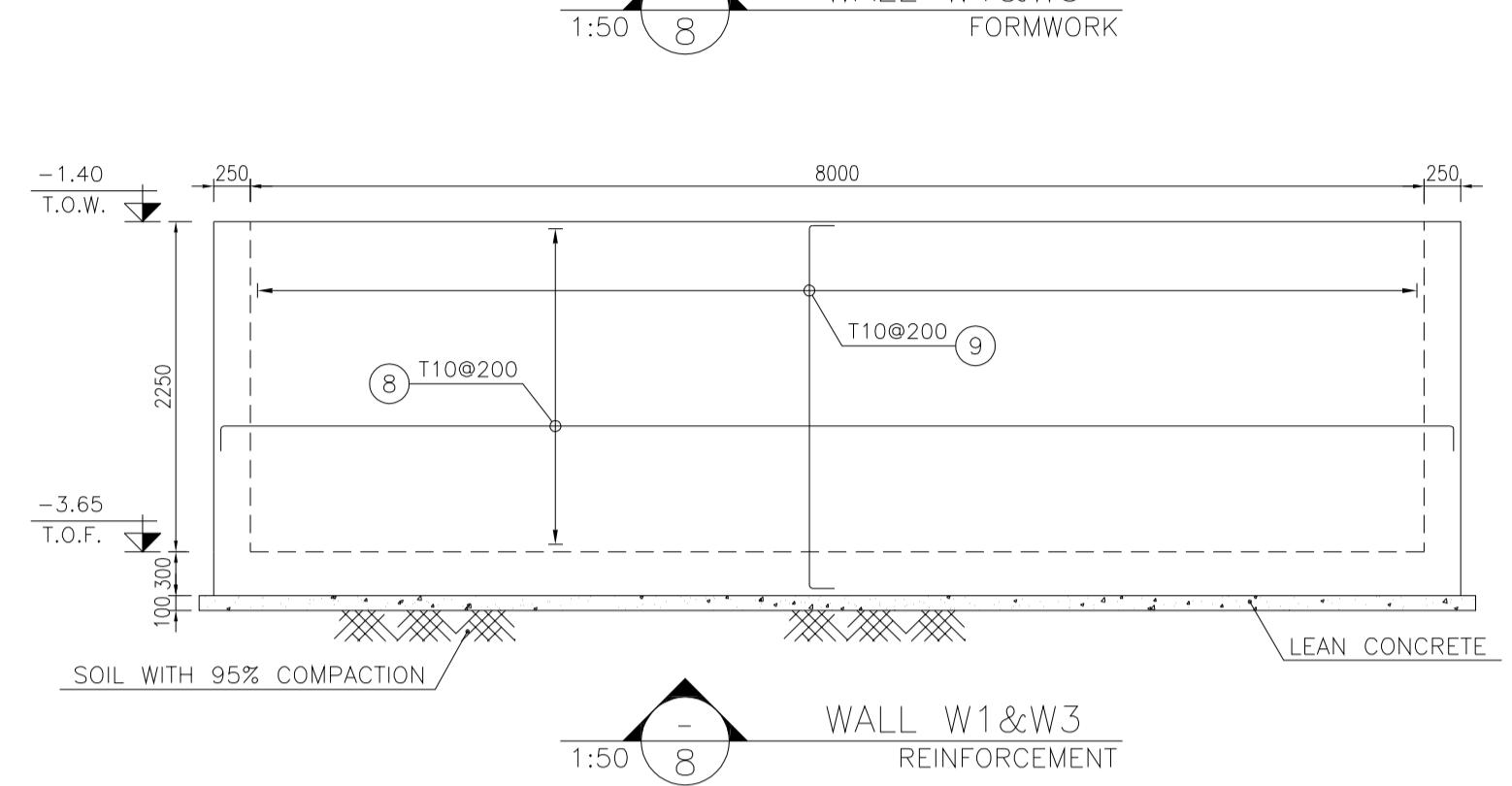
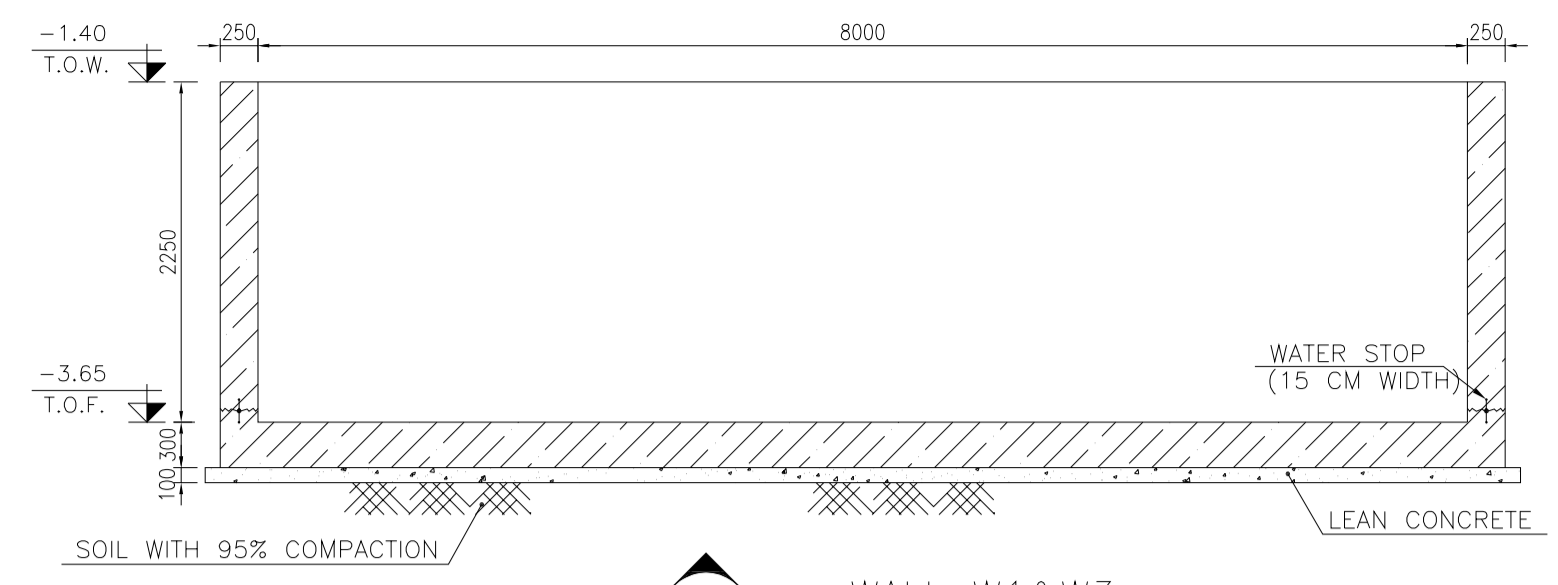
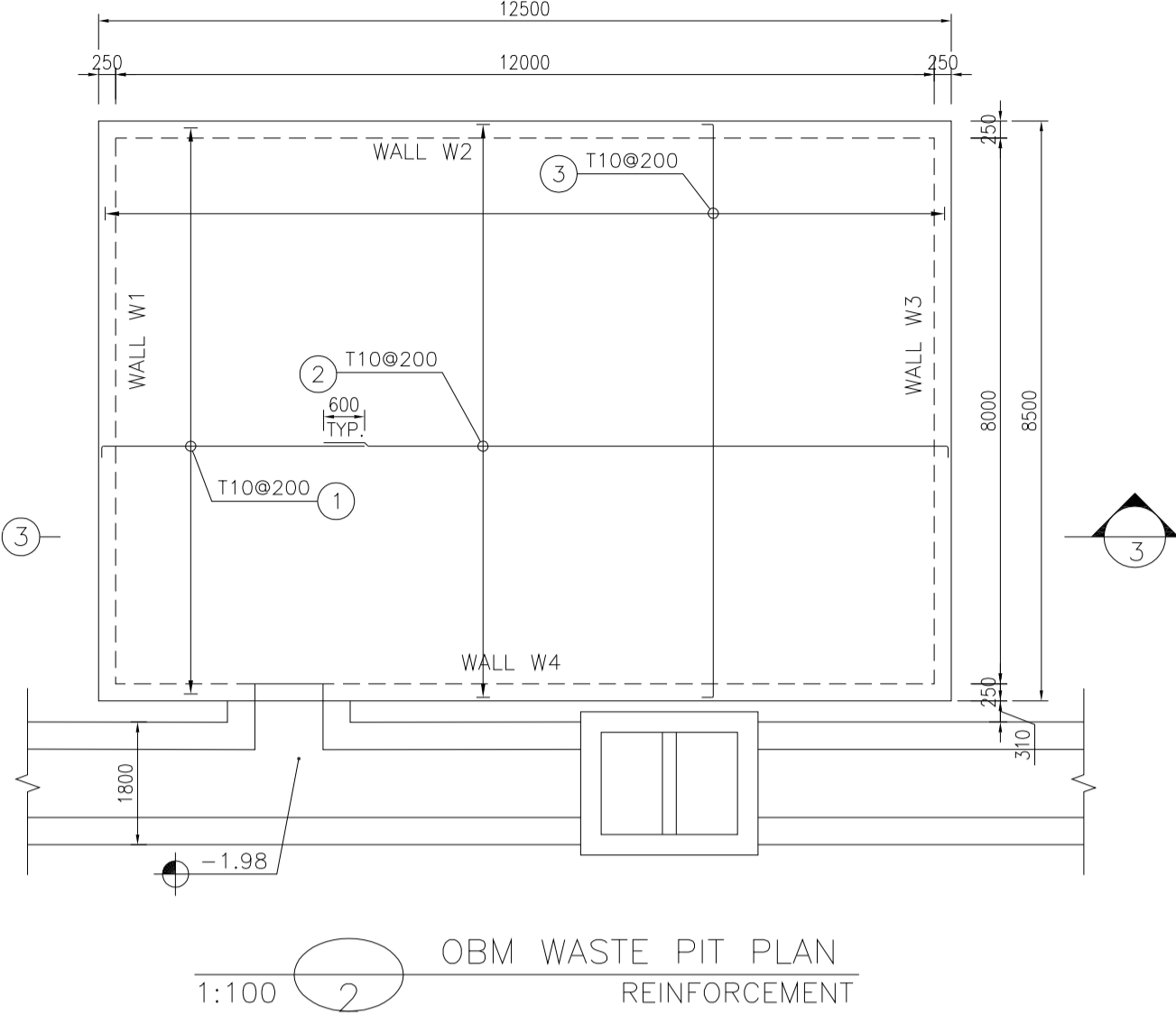
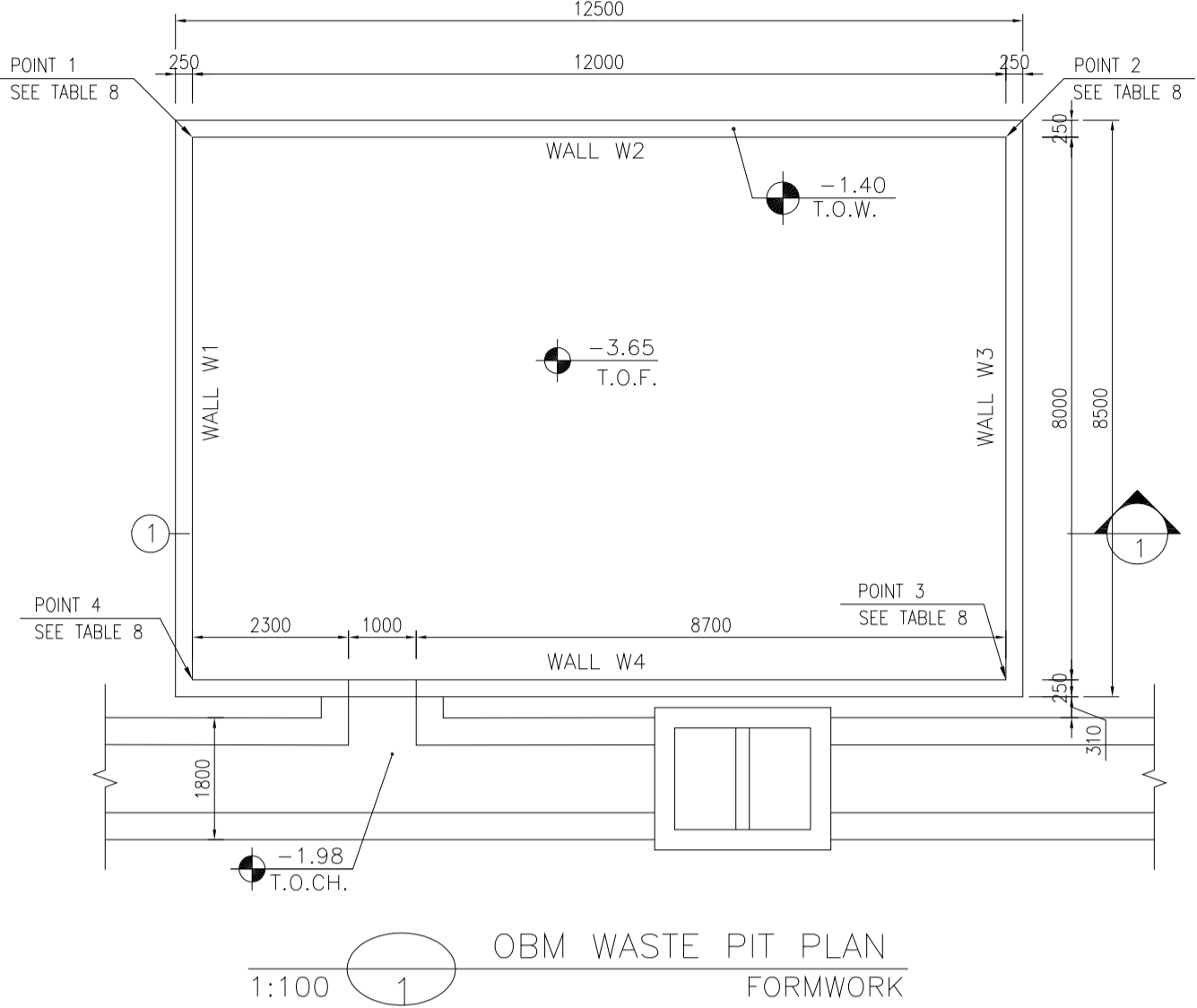
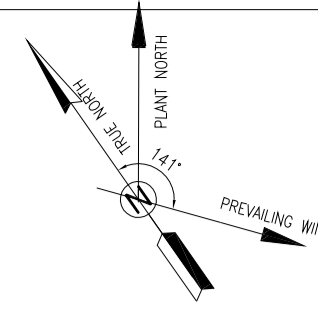


TABLE 8
(CORNERS COORDINATES)

POINT	E	N
POINT 1	E=435534.404	N=3294403.416
POINT 2	E=435544.234	N=3294396.534
POINT 3	E=435539.646	N=3294389.980
POINT 4	E=435529.816	N=3294396.862

BAR BENDING SCHEDULE - OBM WASTE PIT

Pos	Spec.	Shape	L/A	No.	T10
1	T10	150 3850	4.00	86	344.0
2	T10	150 9150	9.30	86	799.8
3	T10	150 8400 150	8.70	126	1096.2
4	T10	150 3850	4.00	30	12.0
5	T10	150 9150	9.30	30	279.0
6	T10	150 2650 150	2.80	242	677.6
7	T10	150 2050 150	2.20	12	26.4
8	T10	150 8400 150	8.70	48	417.6
9	T10	150 2650 150	2.80	172	481.6
TOTAL LENGTH OR AREA (m)					4134.2
UNIT WEIGHT (Kg/m)					0.617
WEIGHT (Kg)					2550.80
GRAND TOTAL (Kg)					2600

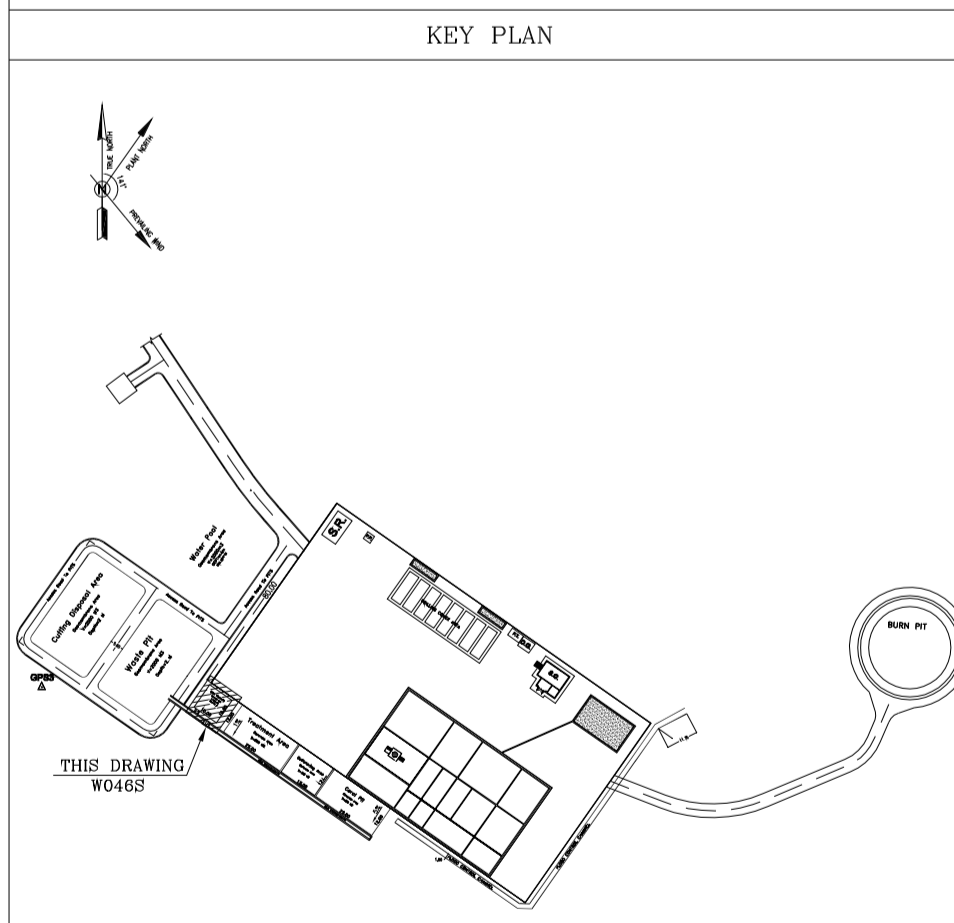
- NOTES
- ALL COORDINATES ARE IN METER.
 - ALL DIMENSIONS ARE IN MILLIMETERS AND ELEVATIONS ARE IN METER.
 - ALL DRAWINGS SHALL BE CHECKED BY CONTRACTOR WITH RELATIVE DRAWINGS BEFORE CONSTRUCTION.
 - ACCORDING TO THE SPECIFICATION OF CONCRETE WORKS: "BK-GNRL-PEDCO-000-ST-SP-0001", 28 DAYS CHARACTERISTIC COMPRESSIVE STRENGTH OF MAIN CONCRETE IS 25 MPa (ON CYLINDRICAL SPECIMEN)
 - ACCORDING TO THE SPECIFICATION OF CONCRETE WORKS: "BK-GNRL-PEDCO-000-ST-SP-0001", 28 DAYS CHARACTERISTIC COMPRESSIVE STRENGTH OF LEAN CONCRETE IS 15 MPa (ON CYLINDRICAL SPECIMEN)
 - REINFORCING BARS SHALL BE S400 ACCORDING TO: ISIRI3132 AND INBC9 WITH MINIMUM TENSILE YIELD STRENGTH 400 N/mm²
 - MINIMUM FOUNDATION NET CONCRETE COVER SHALL BE 75 mm.
 - SPECIFICATIONS OF THERMO PLASTIC ACRYLIC COLOR, BASED ON No.3758 NATIONAL STANDARD CODE: DENSITY : 4.1-5.1 gr/cm³ THICKNESS : 300-400 MICRON GLOSS : DULL
 - SOLID MATERIAL PERCENTAGE BY WEIGHT : 75%±2 SOLID MATERIAL PERCENTAGE BY VOLUME : 48%±2
 - JOINT SEALANT MATERIALS SHALL BE WEATHER-RESISTANT POLYURETHANE OR SILICONE SCH AS "AEROLASTIC 1674" OR SIMILAR AND SHALL CONFORM TO BS-4254 FOR VERTICAL JOINTS IN WALLS. THE FILLING MATERIAL MUST BE APPROVED BY THE WORKSHOP SUPERVISION
 - CONTRACTION JOINTS SHALL BE CONSIDERED IN CONCRETE SLABS EVERY 6m.
 - GEODETIC PARAMETERS FOR COORDINATES ARE AS BELOW: HORIZONTAL COORDINATE SYSTEM: WGS84/UTM ZONE 39 ELLIPSOID : WORLD GEODETIC SYSTEM 1984 (WGS84) MAP PROJECTION: UNIVERSAL TRANSVERSE MERCATOR (UTM) VERTICAL DATUM: MSL
 - ACCORDING TO THE GEOTECHNICAL REPORT SHOULD BE USED OF CEMENT TYPE 2.
 - JOINT FILLER SHALL BE ELASTIC MATERIAL. POLY ETHYLENE SHEETS OR CORK PARTICLES OR EQUIVALENT MATERIALS CAN BE USED
 - JOINT SEALANTS SHALL BE FOLLOWED ASTM D2499.
 - REFER TO THE PLOT PLAN FOR LOCATED FENCE IN THE CELLAR.

LEGEND AND ABBREVIATION

	REINFORCED CONCRETE	T.O.F.	TOP OF FOUNDATION
	LEAN CONCRETE	T.O.W.	TOP OF WALL
	CEMENT BLOCK WALL	T.O.C.	TOP OF CONCRETE
	GRAVEL	T.O.PIT	TOP OF PIT
	SUB GRADE	B.O.P.	BOTTOM OF PIPE
	SLOPE	R.G.L.	ROUGH GRADING LEVEL
		T.O.CH.	TOP OF CHANNEL

REFERENCE DRAWING

REFERENCE DRAWING	DRG. No.
SPECIFICATION FOR FENCE & GATE	BK-GNRL-PEDCO-000-CV-SP-0003
GENERAL NOTES - STEEL STRUCTURES	BK-GNRL-PEDCO-000-ST-DW-0011
GENERAL NOTES - REINFORCED CONCRETE STRUCTURES	BK-GNRL-PEDCO-000-ST-DW-0012
GENERAL CIVIL LAYOUT - W046S	BK-W046S-PEDCO-110-CV-PY-0001
ROUGH GRADING PLANS - W046S	BK-W046S-PEDCO-110-CV-DW-0001
STANDARD DRAWING FOR CULVERT & DETAILS	BK-GNRL-PEDCO-000-CV-DW-0014
STANDARD DETAILS OF MISCELLANEOUS ITEMS	BK-GNRL-PEDCO-000-CV-DW-0040
SPECIFICATION FOR EARTH WORK	BK-GNRL-PEDCO-000-CV-SP-0004
PLOT PLAN DRAWING - W046S	BK-W046S-PEDCO-110-PI-DW-0001
AREA ELECTRICAL CABLE ROUTE & SECTION LAYOUT OF WELL PADS	BK-SSGR-L-PEDCO-110-EL-PY-0006
PLATFORM STRUCTURE DRAWING - W046S	BK-W046S-PEDCO-110-ST-DW-0012



REV.	DATE	P.O.I.S	PREP.	CHK.	APP.	AUT.
D04	MAY.2023	APC	R. BERLOUFI	M.PAKHARIAN	A.M.MOHSSENI	** **
D03	DEC.2022	IPA	R. BERLOUFI	M.PAKHARIAN	M.MEHRSHAD	** **
D02	SEP.2022	IPA	R. BERLOUFI	M.PAKHARIAN	M.MEHRSHAD	** **
D01	JUL.2022	IPA	R. BERLOUFI	M.PAKHARIAN	M.MEHRSHAD	** **
D00	MAY.2022	IPC	R. BERLOUFI	M.PAKHARIAN	M.MEHRSHAD	** **

PROJECT NAME: BINAK OILFIELD DEVELOPMENT/SUB-SURFACE WORK PACKAGES W046S WELLHEAD FACILITIES

PROJECT NO.: 971020

EPC CONTRACTOR: HIRGAN ENERGY TE HIRGAN ENERGY - DESIGN & INSPECTION COMPANIES

EPD/EPC CONTRACTOR(GC): PETROIRAN DEVELOPMENT COMPANY PEDCO

DRAWING TITLE: CIVIL AND STRUCTURAL DRAWINGS-W046S OBM WASTE PIT FORMWORK & REINFORCEMENT PLAN-SECTION

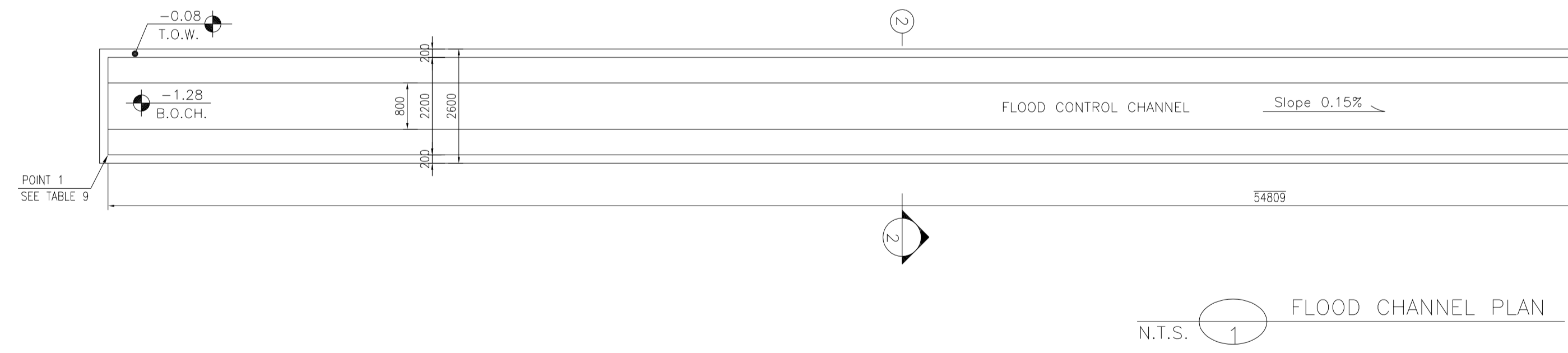
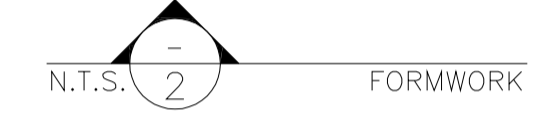
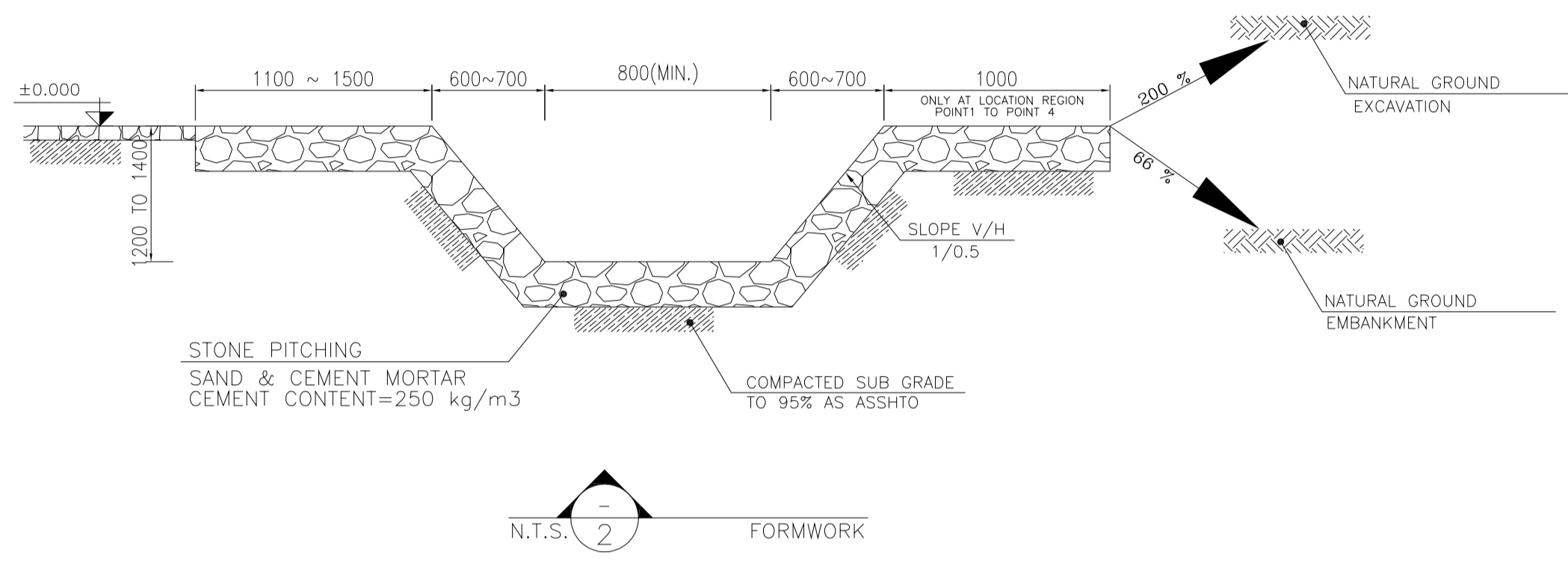
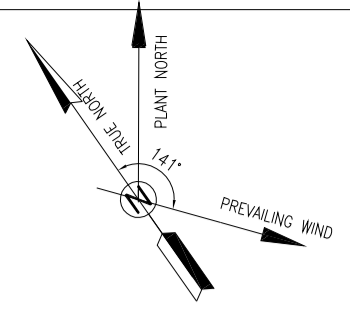
NO CONSTRUCTION PERMITTED UNLESS DRAWING APPROVED

SCALE	SIZE	DRAWING NO.	SHEET NO.	REV.	BUDGET REF.	LOCATION	SIZE	CLASS	SERIAL NO.	SHEET	REVISION
AS SHOWN	A1	BK-W046S-PEDCO-110-CV-PY-0002	14 OF 46	D04	053-073-9184	F	4	S	707854	14	D04

THE ORIGINAL AND ALL COPIES OF THIS DRAWING TOGETHER WITH THE COPYRIGHT THEREIN ARE THE SOLE PROPERTY OF N.I.S.O.C./ FIELDS

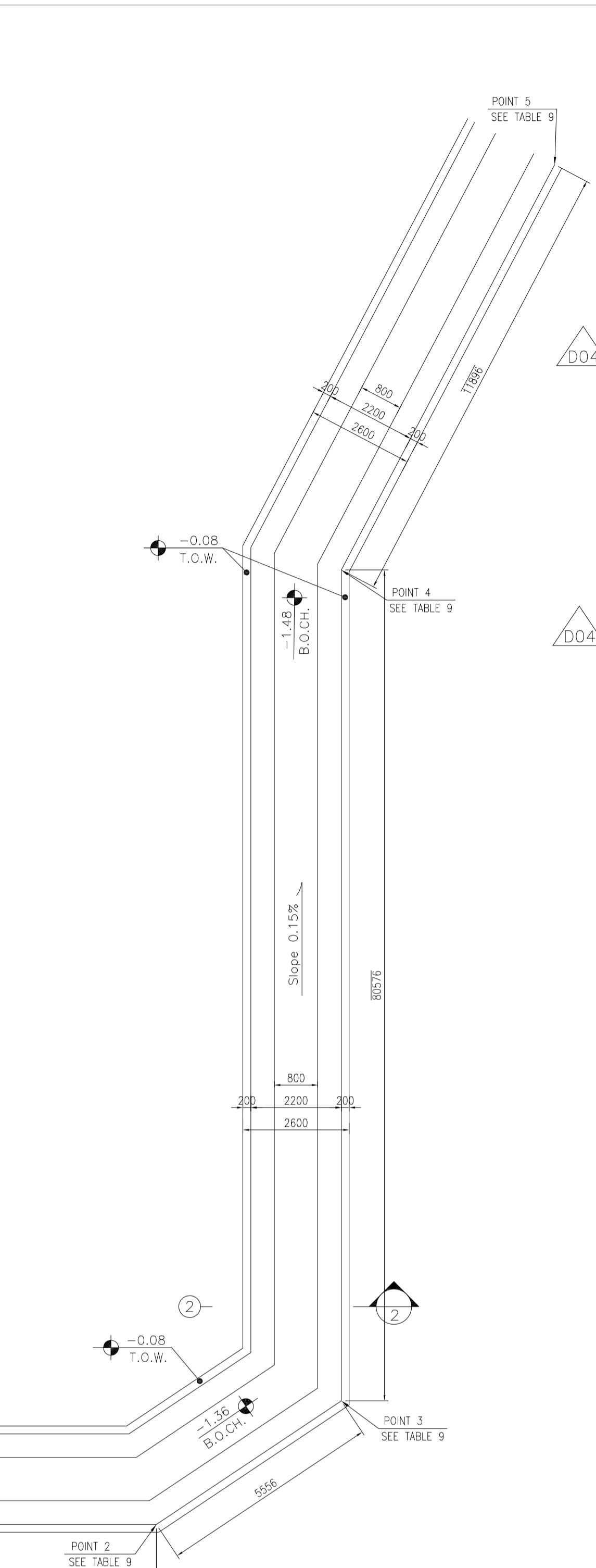
BINAK OILFIELD DEVELOPMENT SUB-SURFACE WORK PACKAGES W046S WELLHEAD FACILITIES

DATE	SCALE	DRAWING BY	CHECKED BY	PROJECT ENG.



N.T.S. 1 FLOOD CHANNEL PLAN

POINT	E	N
POINT 1	E=435603.771	N=3294353.803
POINT 2	E=435648.670	N=3294322.370
POINT 3	E=435654.224	N=3294322.246
POINT 4	E=435700.435	N=3294388.255
POINT 5	E=435710.869	N=3294393.970



- NOTES**
- ALL COORDINATES ARE IN METER.
 - ALL DIMENSIONS ARE IN MILLIMETERS AND ELEVATIONS ARE IN METER.
 - ALL DRAWINGS SHALL BE CHECKED BY CONTRACTOR WITH RELATIVE DRAWINGS BEFORE CONSTRUCTION.
 - ACCORDING TO THE SPECIFICATION OF CONCRETE WORKS:
"BK-GNRL-PEDCO-000-ST-SP-0001", 28 DAYS CHARACTERISTIC COMPRESSIVE STRENGTH OF MAIN CONCRETE IS 25 MPa (ON CYLINDRICAL SPECIMEN)
 - ACCORDING TO THE SPECIFICATION OF CONCRETE WORKS:
"BK-GNRL-PEDCO-000-ST-SP-0001", 28 DAYS CHARACTERISTIC COMPRESSIVE STRENGTH OF LEAN CONCRETE IS 15 MPa (ON CYLINDRICAL SPECIMEN)
 - REINFORCING BARS SHALL BE S400 ACCORDING TO: ISIRI3132 AND INBC9 WITH MINIMUM TENSILE YIELD STRENGTH 400 N/mm²
 - MINIMUM FOUNDATION NET CONCRETE COVER SHALL BE 75 mm.
 - SPECIFICATIONS OF THERMO PLAST ACRYLIC COLOR:
BASED ON No.3758 NATIONAL STANDARD CODE:
DENSITY : 4.1-5.1 gr/cm³
THICKNESS : 300-400 MICRON
GLOSS : DULL
SOLID MATERIAL PERCENTAGE BY WEIGHT : 75%±2
SOLID MATERIAL PERCENTAGE BY VOLUME : 48%±2
 - JOINT SEALANT MATERIALS SHALL BE WETHER-RESISTANT POLYURETHANE OR SILICONE SCH AS "AEROLASTIC 1674" OR SIMILAR AND SHALL CONFORM TO BS-4254 FOR VERTICAL JOINTS IN WALLS. THE FILLING MATERIAL MUST BE APPROVED BY THE WORKSHOP SUPERVISION
 - CONTRACTION JOINTS SHALL BE CONSIDERED IN CONCRETE SLABS EVERY 6m.
 - GEODETIC PARAMETERS FOR COORDINATES ARE AS BELOW:
HORIZONTAL COORDINATE SYSTEM: WGS84/UTM ZONE 39
ELLIPSOID : WORLD GEODETIC SYSTEM 1984 (WGS84)
MAP PROJECTION: UNIVERSAL TRANSVERSE MERCATOR (UTM)
VERTICAL DATUM: MSL
 - ACCORDING TO THE GEOTECHNICAL REPORT SHOULD BE USED OF CEMENT TYPE 2.
 - JOINT FILLER SHALL BE ELASTIC MATERIAL.
POLY ETHYLENE SHEETS OR CORK PARTICLES OR EQUIVALENT MATERIALS CAN BE USED
 - JOINT SEALANTS SHALL BE FOLLOWED ASTM D4299.
 - REFER TO THE PLOT PLAN FOR LOCATED FENCE IN THE CELLAR.

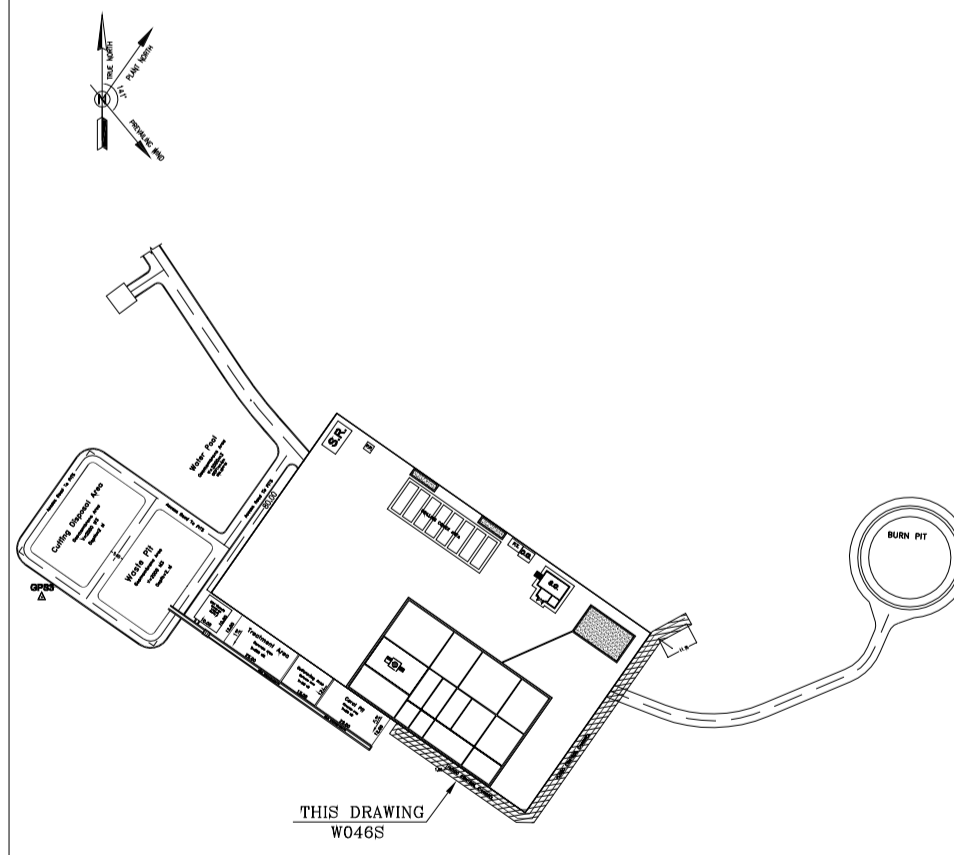
±0.00 = +57.00(R.G.L.)MSL

LEGEND AND ABBREVIATION

	REINFORCED CONCRETE	T.O.F.	TOP OF FOUNDATION
	LEAN CONCRETE	T.O.W.	TOP OF WALL
	CEMENT BLOCK WALL	T.O.C.	TOP OF CONCRETE
	GRAVEL	T.O.PIT	TOP OF PIT
	SUB GRADE	B.O.P.	BOTTOM OF PIPE
	SLOPE	R.G.L.	ROUGH GRADING LEVEL
		T.O.CH.	TOP OF CHANNEL

REFERENCE DRAWING	DRG. No.
SPECIFICATION FOR FENCE & GATE	BK-GNRL-PEDCO-000-CV-SP-0003
GENERAL NOTES - STEEL STRUCTURES	BK-GNRL-PEDCO-000-ST-DW-0011
GENERAL NOTES - REINFORCED CONCRETE STRUCTURES	BK-GNRL-PEDCO-000-ST-DW-0012
GENERAL CIVIL LAYOUT - W046S	BK-W046S-PEDCO-110-CV-PY-0001
ROUGH GRADING PLANS - W046S	BK-W046S-PEDCO-110-CV-DW-0001
STANDARD DRAWING FOR CULVERT & DETAILS	BK-GNRL-PEDCO-000-CV-DW-0014
STANDARD DETAILS OF MISCELLANEOUS ITEMS	BK-GNRL-PEDCO-000-CV-DW-0040
SPECIFICATION FOR EARTH WORK	BK-GNRL-PEDCO-000-CV-SP-0004
PLOT PLAN DRAWING - W046S	BK-W046S-PEDCO-110-PI-DW-0001
AREA ELECTRICAL CABLE ROUTE & SECTION LAYOUT OF WELL PADS	BK-SSQRL-PEDCO-110-EL-PY-0006
PLATFORM STRUCTURE DRAWING - W046S	BK-W046S-PEDCO-110-ST-DW-0012

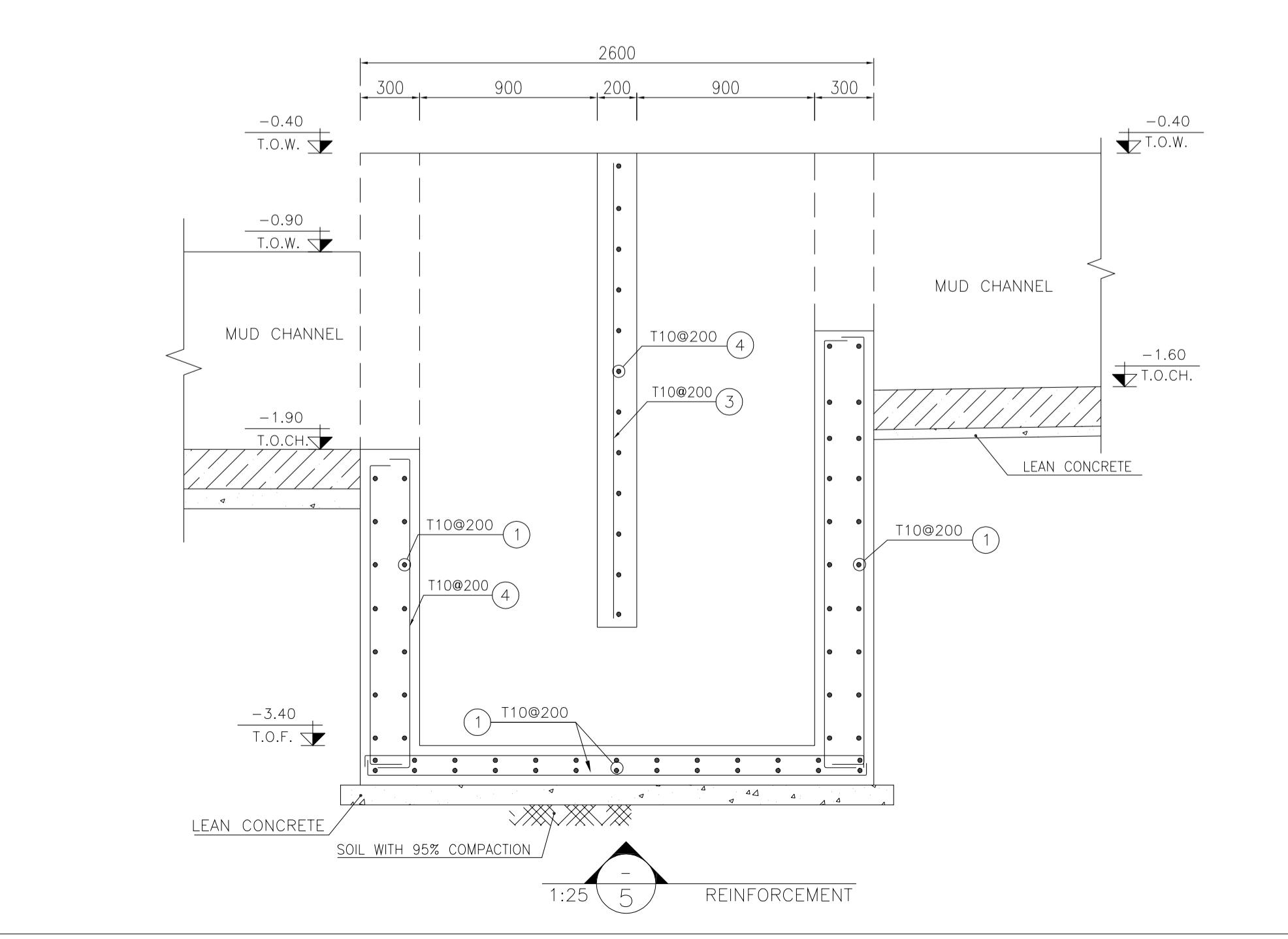
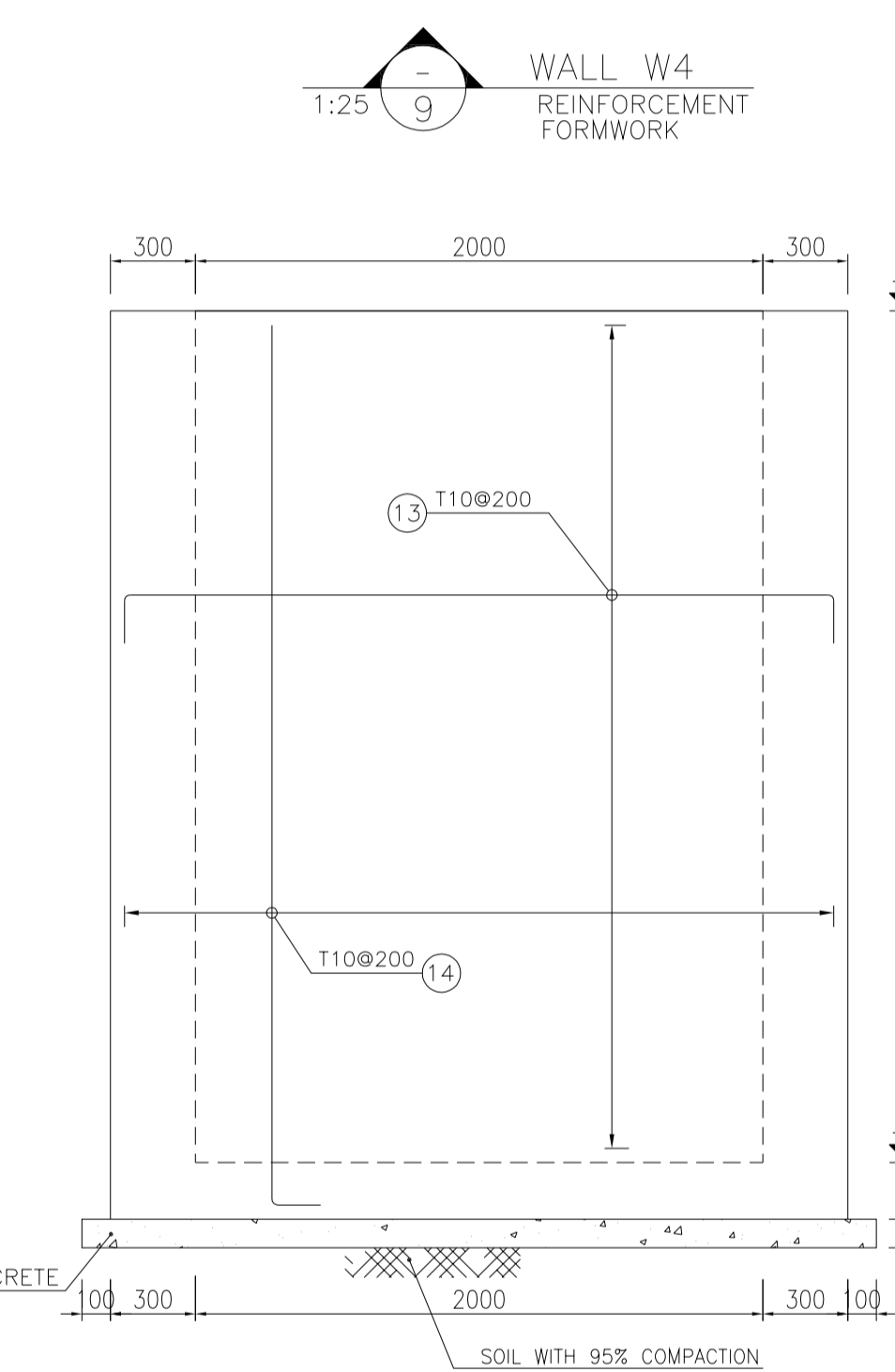
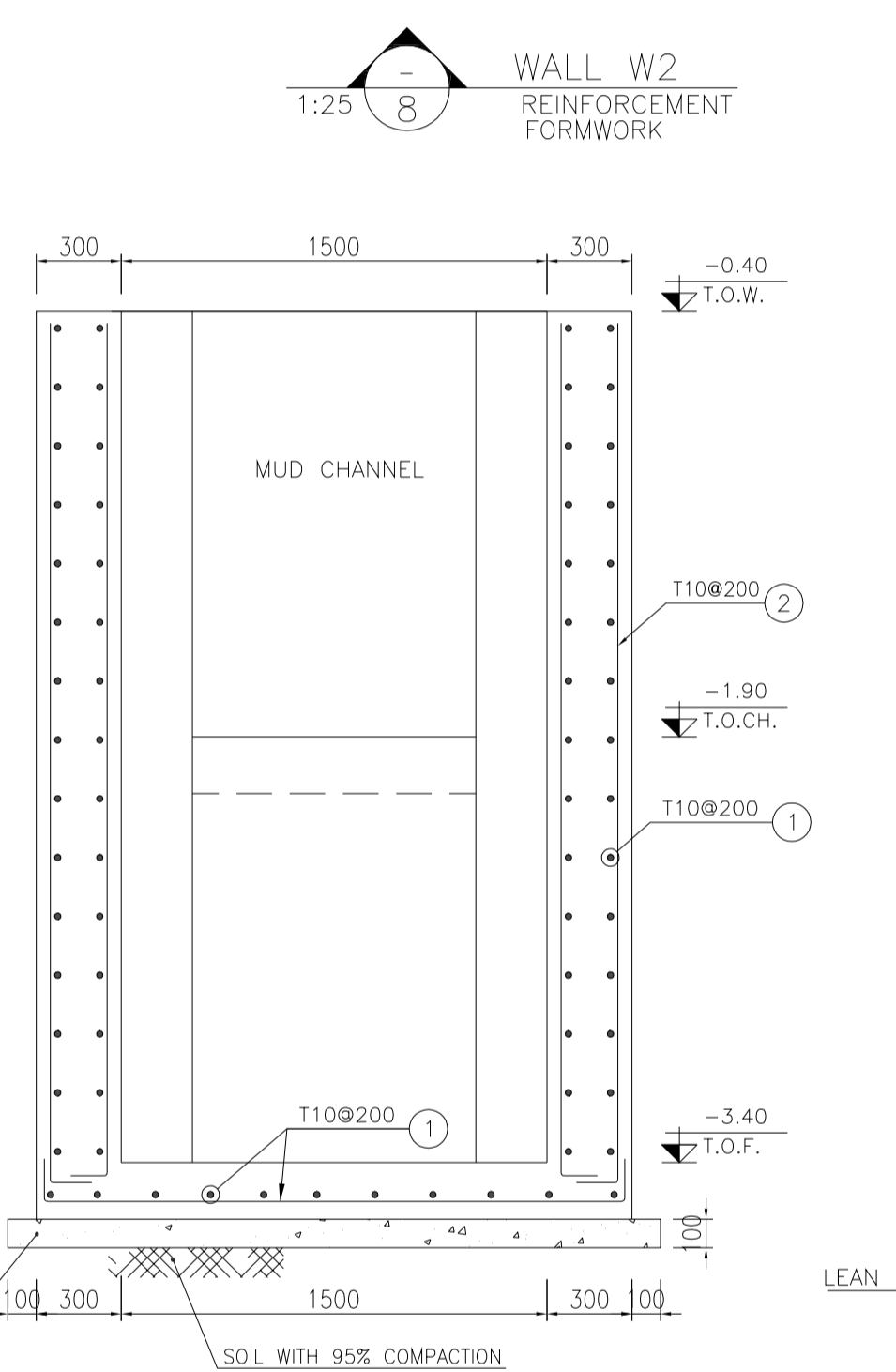
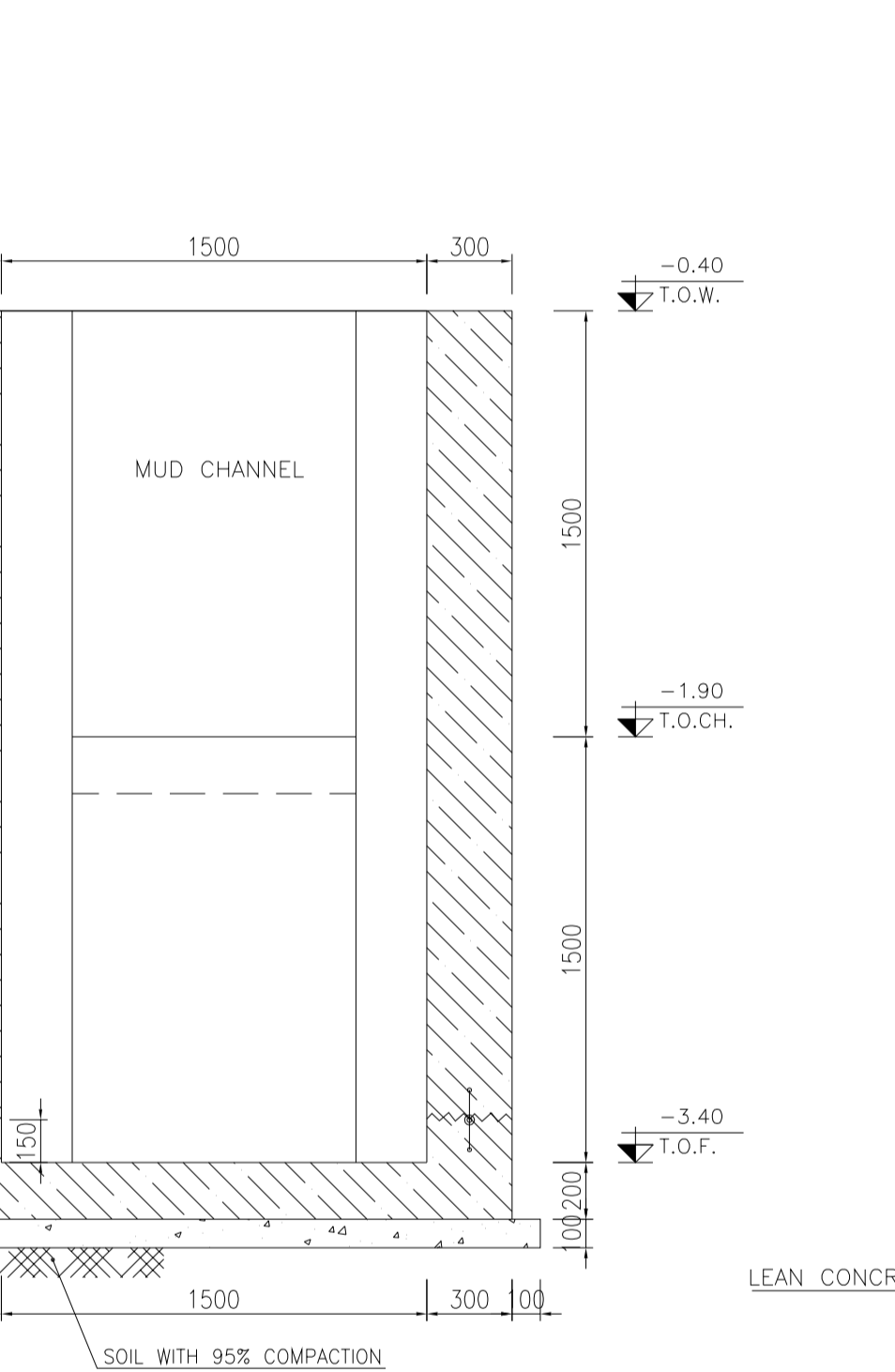
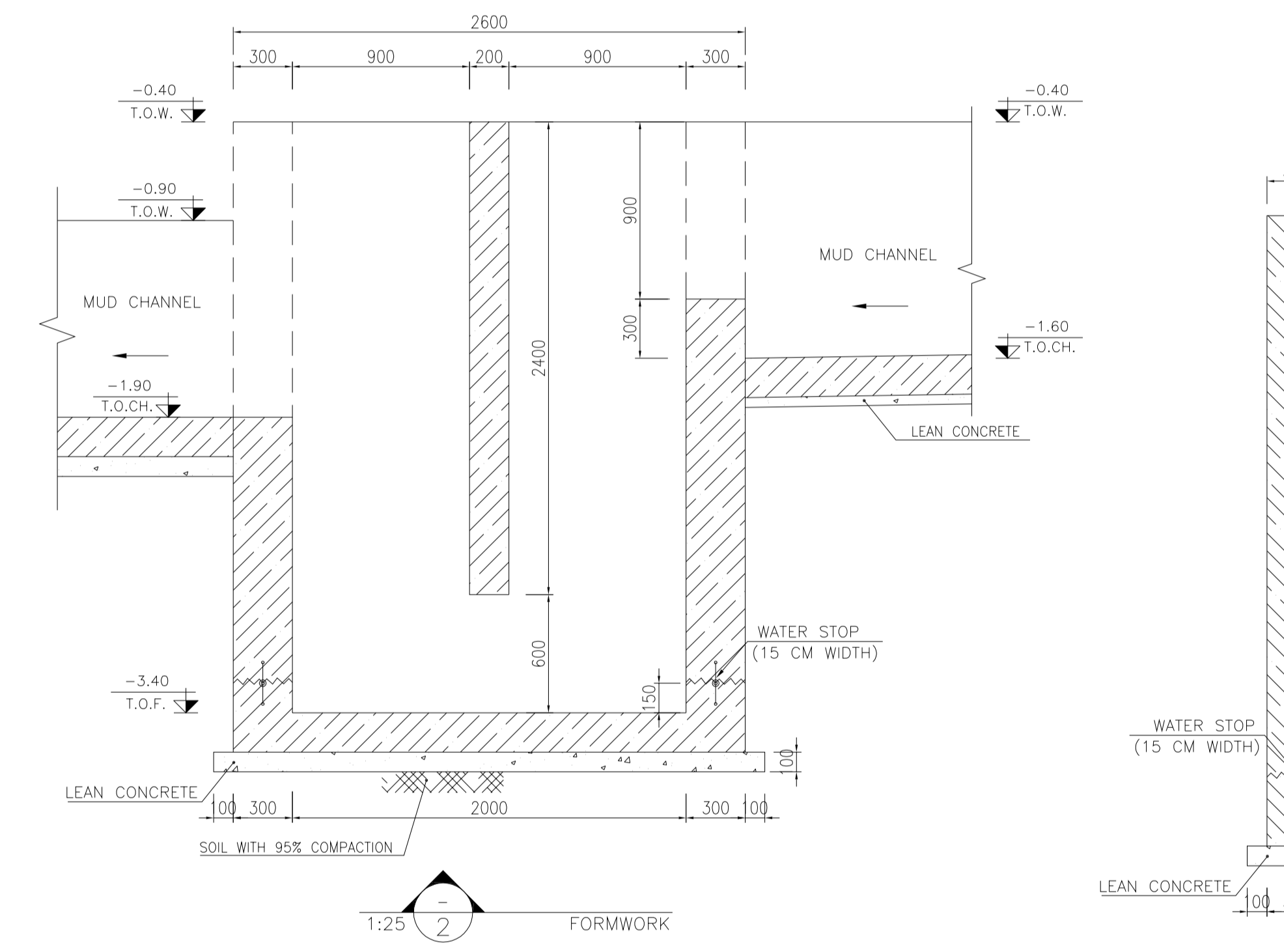
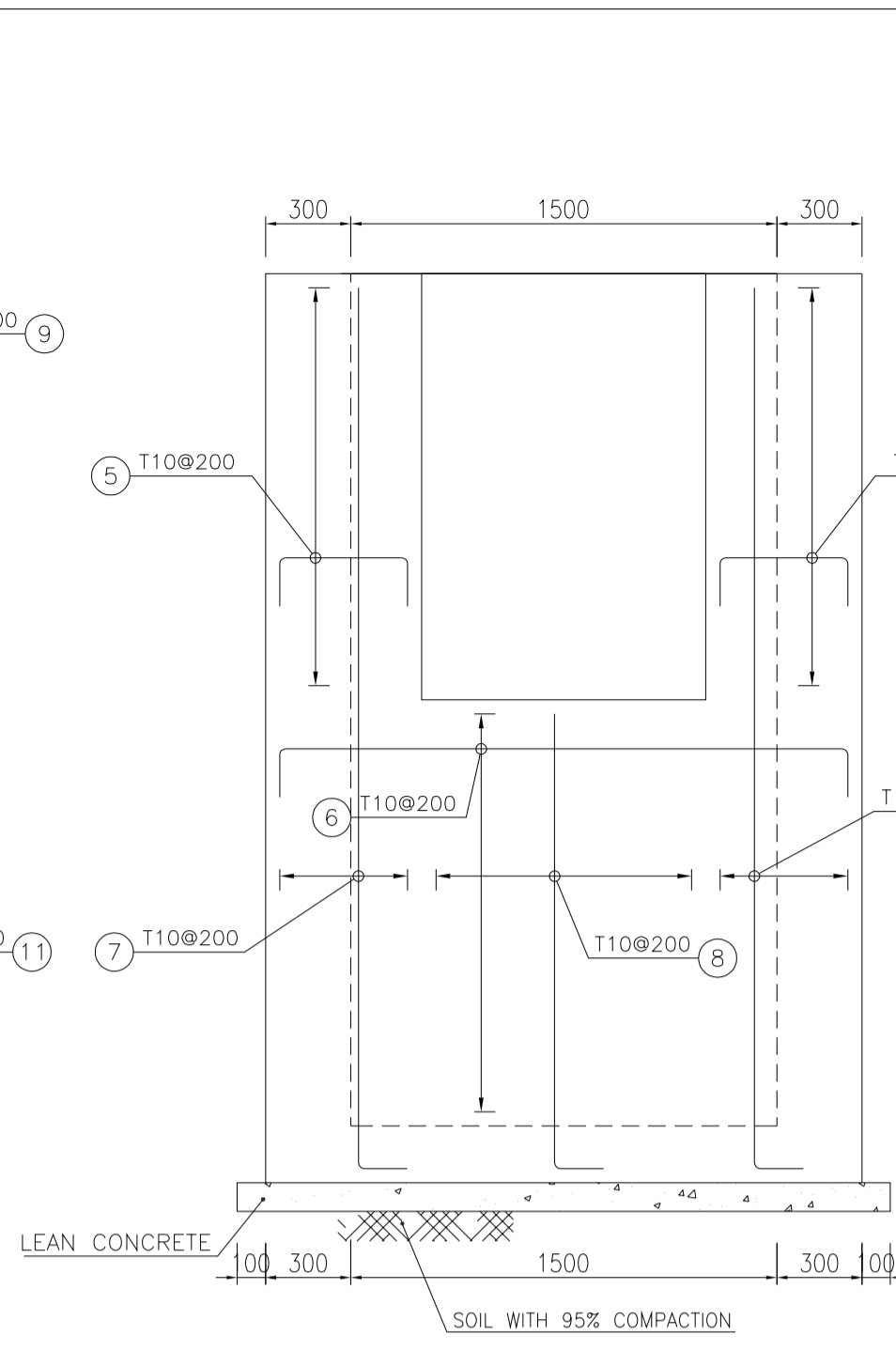
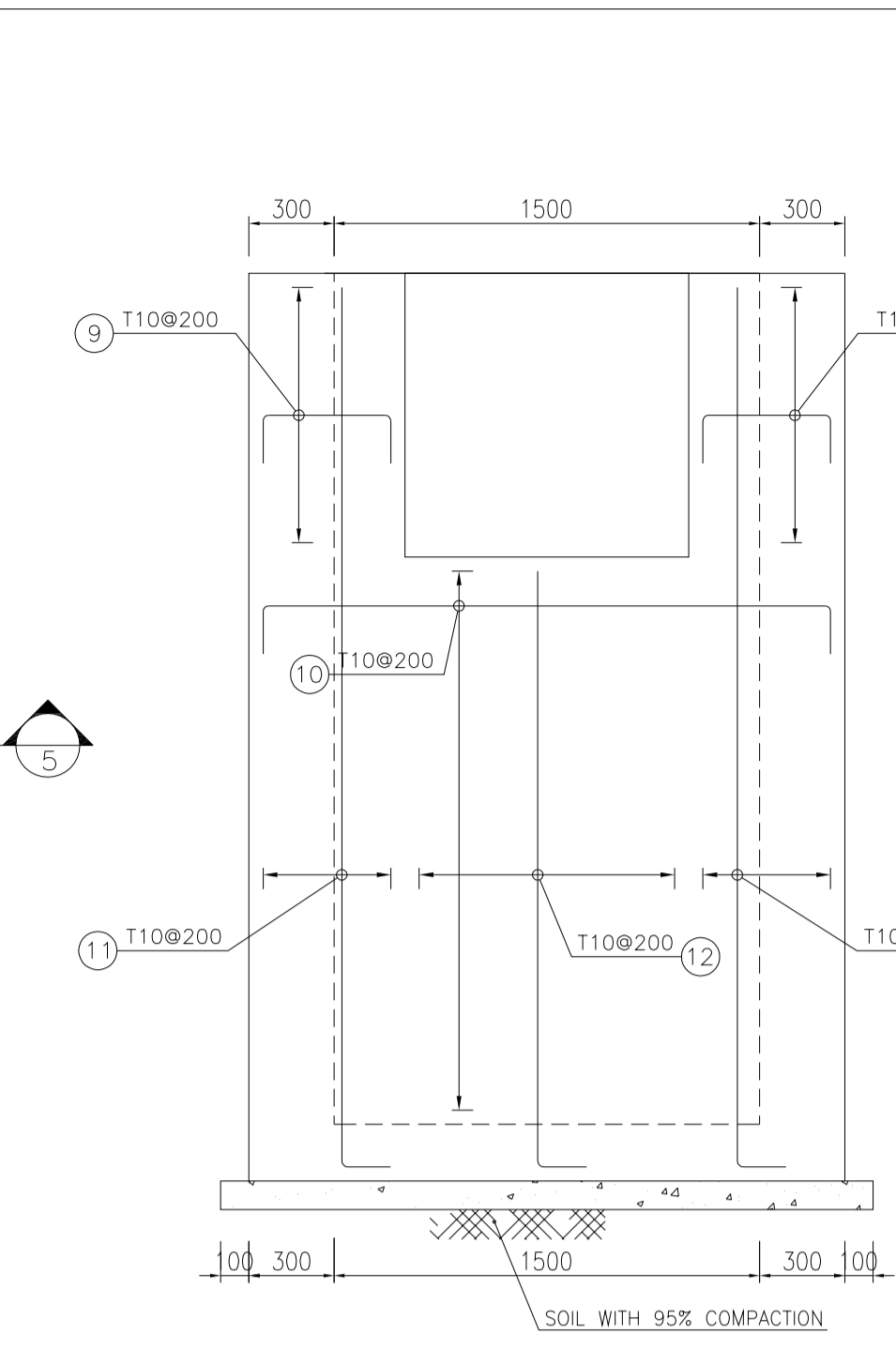
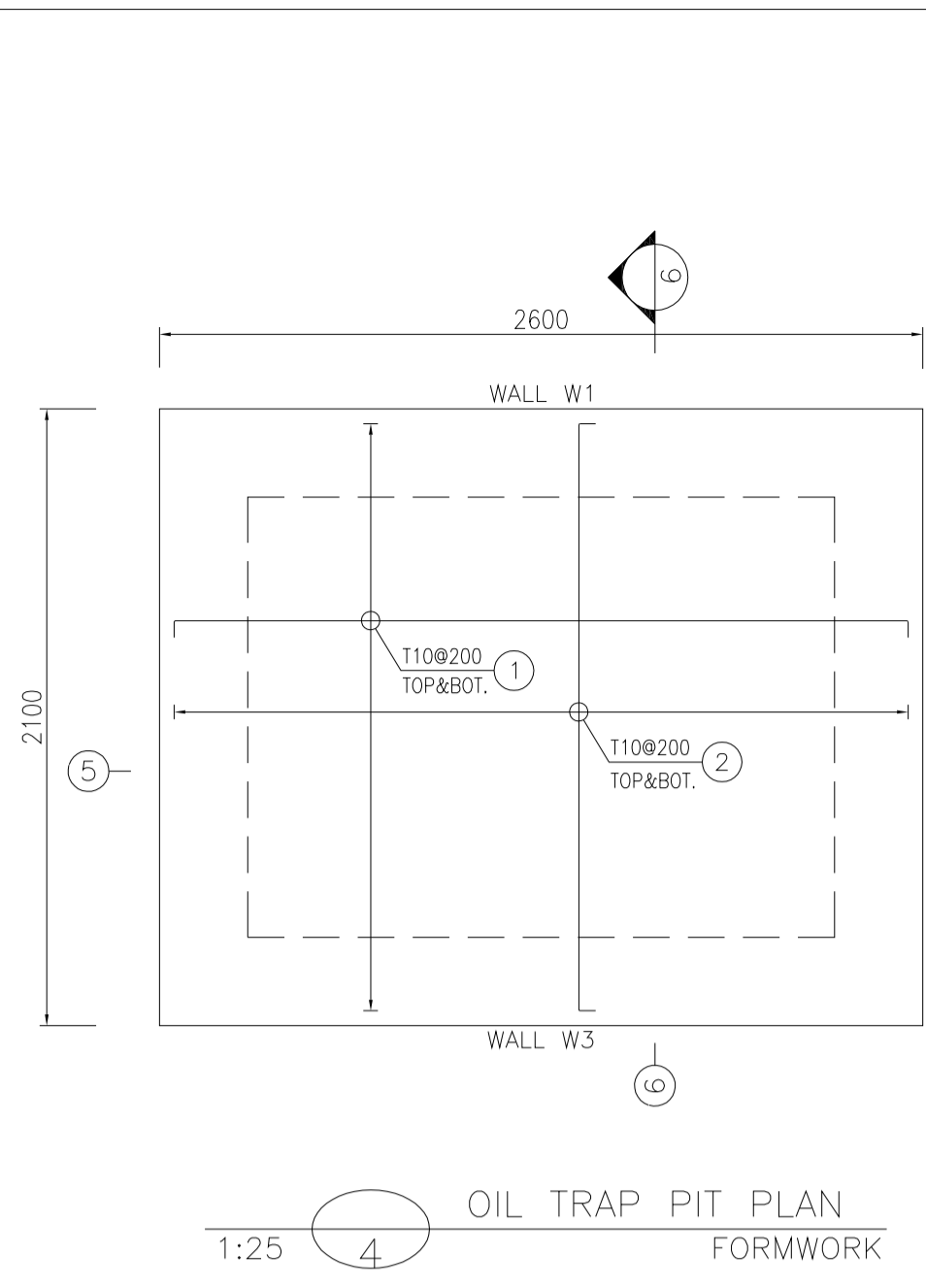
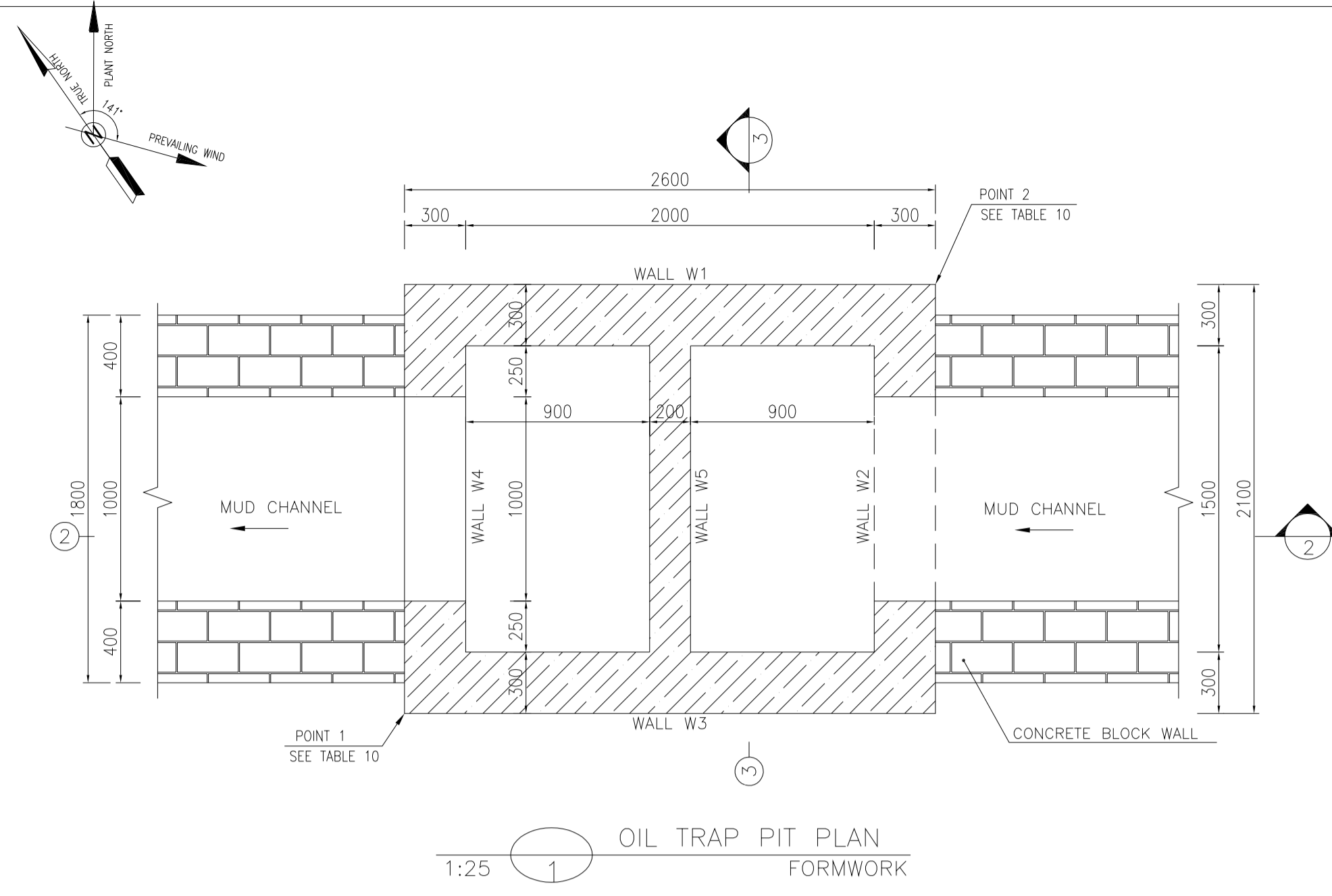
KEY PLAN



D04	MAY.2023	AFC	R. BERLOURI	M.PAKHARIAN	A.M.MOHSSENI	** **
D03	DEC.2022	IPA	R. BERLOURI	M.PAKHARIAN	M.MEHRSHAD	** **
D02	SEP.2022	IPA	R. BERLOURI	M.PAKHARIAN	M.MEHRSHAD	** **
D01	JUL.2022	IPA	R. BERLOURI	M.PAKHARIAN	M.MEHRSHAD	** **
D00	MAY.2022	IPC	R. BERLOURI	M.PAKHARIAN	M.MEHRSHAD	** **
REV.	DATE	P.O.I.S	PREP.	CHK.	APP.	AUT.

PROJECT NAME: BINAK OILFIELD DEVELOPMENT/SUB-SURFACE WORK PACKAGES W046S WELLHEAD FACILITIES						
PROJECT NO.: 971020						
EPC CONTRACTOR: HIRGAN ENERGY - DESIGN & INSPECTION COMPANIES			EPD/EPC CONTRACTOR(GC): PETROIRAN DEVELOPMENT COMPANY			
DRAWING TITLE: CIVIL AND STRUCTURAL DRAWINGS-W046S WATER CHANNEL FORMWORK PLAN-SECTION						
SCALE	SIZE	DRAWING NO.	SHEET NO.	REV.	BUDGET REF.	LOCATION
AS SHOWN	A1	BK-W046S-PEDCO-110-CV-PY-0002	15 OF 46	D04	053-073-9184	F

<p>اصل و کلیه نسخ این نقشه و حق اقتباس متعلق به شرکت ملی مناطق نفت خیز جنوب میباشد.</p> <p>THE ORIGINAL AND ALL COPIES OF THIS DRAWING TOGETHER WITH THE COPYRIGHT THEREIN ARE THE SOLE PROPERTY OF N.I.S.O.C./ FIELDS</p>						
DATE	SCALE	DRAWING BY	CHECKED BY	PROJECT ENG.		
NO CONSTRUCTION PERMITTED UNLESS DRAWING APPROVED						
APPROVED FOR CONSTRUCTION			BY:	DATE:		
SCALE	SIZE	DRAWING NO.	SHEET NO.	REV.	BUDGET REF.	LOCATION
AS SHOWN	A1	BK-W046S-PEDCO-110-CV-PY-0002	15 OF 46	D04	053-073-9184	F



BAR BENDING SCHEDULE - OIL TRAP PIT						
Pos	Spec.	Shape	L/A	No.	T10	
10	T10	150 2000 150	2.30	22	50.6	
11	T10	150 1860	2.01	16	32.16	
12	T10	150 2100	2.25	12	27.0	
13	T10	150 2500 150	2.80	64	179.2	
14	T10	150 2900	3.05	56	170.8	
TOTAL LENGTH OR AREA (m/m ²)						767.32
UNIT WEIGHT (Kg)						0.617
WEIGHT (Kg)						473.44
GRAND TOTAL (Kg)						474

BAR BENDING SCHEDULE - OIL TRAP PIT						
Pos	Spec.	Shape	L/A	No.	T10	
1	T10	150 2500 150	2.80	24	67.20	
2	T10	150 2000 150	2.30	26	59.80	
3	T10	150 2300 150	2.60	13	33.80	
4	T10	150 1850	2.00	8	16.0	
5	T10	150 450 150	0.75	28	21.0	
6	T10	150 2150	2.30	16	36.8	
7	T10	150 1860	2.01	16	32.16	
8	T10	150 1750	1.90	12	22.80	
9	T10	150 450 150	0.75	24	18.0	

TABLE 10 (CORNERS COORDINATES)			
POINT 1	E=435533.960	N=3294390.897	
POINT 2	E=435537.294	N=3294391.126	

REV.	DATE	P.O.I.S	PREP.	CHK.	APP.	AUT.
D04	MAY.2023	AFC	R. BERLOURI	M.PAKHARIAN	A.M.MOHSANI	***
D03	DEC.2022	IPA	R. BERLOURI	M.PAKHARIAN	M.MEHRSHAD	***
D02	SEP.2022	IPA	R. BERLOURI	M.PAKHARIAN	M.MEHRSHAD	***
D01	JUL.2022	IPA	R. BERLOURI	M.PAKHARIAN	M.MEHRSHAD	***
D00	MAY.2022	IPC	R. BERLOURI	M.PAKHARIAN	M.MEHRSHAD	***

PROJECT NAME: BINAK OILFIELD DEVELOPMENT/SUB-SURFACE WORK PACKAGES W046S WELLHEAD FACILITIES

PROJECT NO.: 971020

EPC CONTRACTOR: HIRGAN ENERGY

EPD/EPC CONTRACTOR(GC): PETROIRAN DEVELOPMENT COMPANY

DRAWING TITLE: CIVIL AND STRUCTURAL DRAWINGS-W046S OIL TRAP PIT FORMWORK & REINFORCEMENT PLAN-SECTIONS

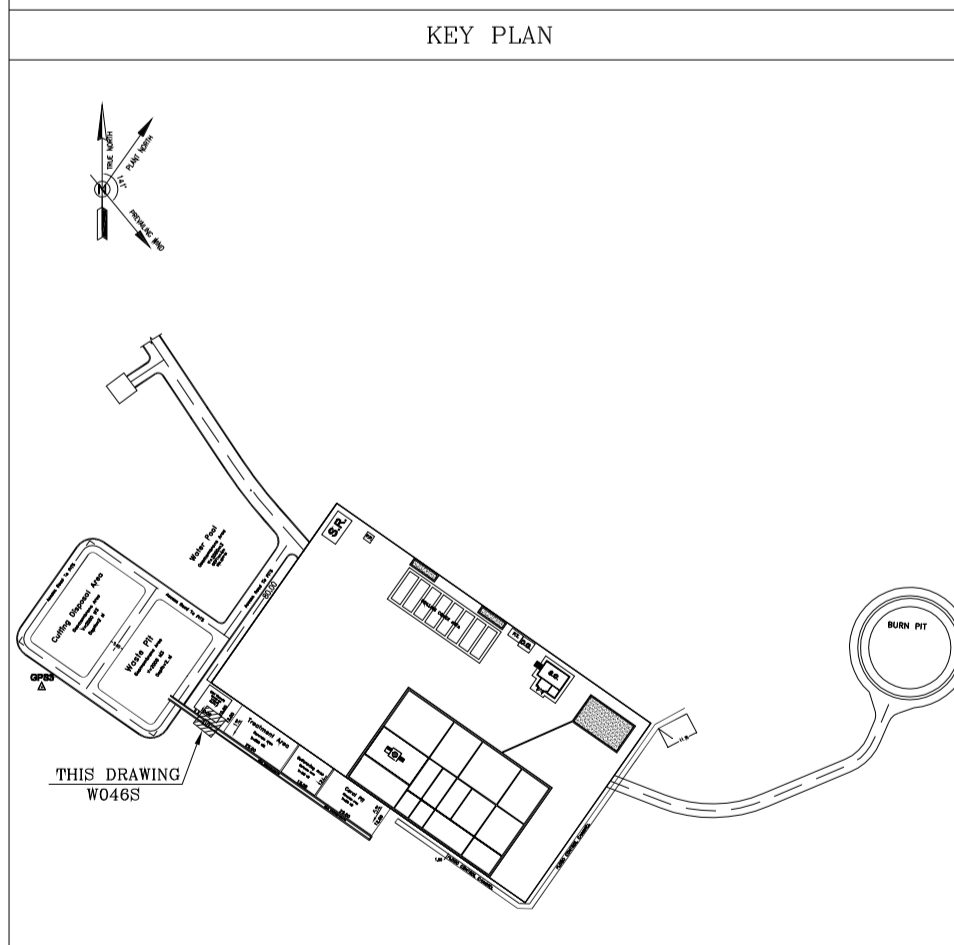
SCALE	SIZE	DRAWING NO.	SHEET NO.	REV.	BUDGET REF.	LOCATION	SIZE	CLASS	SERIAL NO.	SHEET	REVISION
AS SHOWN	A1	BK-W046S-PEDCO-110-CV-PY-0002	16 OF 46	D04	053-073-9184	F	4	S	707854	16	D04

- NOTES**
- ALL COORDINATES ARE IN METER.
 - ALL DIMENSIONS ARE IN MILLIMETERS AND ELEVATIONS ARE IN METER.
 - ALL DRAWINGS SHALL BE CHECKED BY CONTRACTOR WITH RELATIVE DRAWINGS BEFORE CONSTRUCTION.
 - ACCORDING TO THE SPECIFICATION OF CONCRETE WORKS: "BK-GNRL-PEDCO-000-ST-SP-0001", 28 DAYS CHARACTERISTIC COMPRESSIVE STRENGTH OF MAIN CONCRETE IS 25 MPa (ON CYLINDRICAL SPECIMEN)
 - ACCORDING TO THE SPECIFICATION OF CONCRETE WORKS: "BK-GNRL-PEDCO-000-ST-SP-0001", 28 DAYS CHARACTERISTIC COMPRESSIVE STRENGTH OF LEAN CONCRETE IS 15 MPa (ON CYLINDRICAL SPECIMEN)
 - REINFORCING BARS SHALL BE S400 ACCORDING TO: ISIRI3132 AND INBC9 WITH MINIMUM TENSILE YIELD STRENGTH 400 N/mm²
 - MINIMUM FOUNDATION NET CONCRETE COVER SHALL BE 75 mm.
 - SPECIFICATIONS OF THERMO PLAST ACRYLIC COLOR, BASED ON No.3758 NATIONAL STANDARD CODE: DENSITY : 4.1-5.1 gr/cm³ THICKNESS : 300-400 MICRON GLOSS : DULL SOLID MATERIAL PERCENTAGE BY WEIGHT : 75%±2 SOLID MATERIAL PERCENTAGE BY VOLUME : 48%±2
 - JOINT SEALANT MATERIALS SHALL BE WEATHER-RESISTANT POLYURETHANE OR SILICONE SUCH AS "AEROLASTIC 1674" OR SIMILAR AND SHALL CONFORM TO BS-4254 FOR VERTICAL JOINTS IN WALLS. THE FILLING MATERIAL MUST BE APPROVED BY THE WORKSHOP SUPERVISION
 - CONTRACTION JOINTS SHALL BE CONSIDERED IN CONCRETE SLABS EVERY 6m.
 - GEODETIC PARAMETERS FOR COORDINATES ARE AS BELOW: HORIZONTAL COORDINATE SYSTEM: WGS84/UTM ZONE 39 ELLIPSOID : WORLD GEODETIC SYSTEM 1984 (WGS84) MAP PROJECTION: UNIVERSAL TRANSVERSE MERCATOR (UTM) VERTICAL DATUM: MSL
 - ACCORDING TO THE GEOTECHNICAL REPORT SHOULD BE USED OF CEMENT TYPE2.
 - JOINT FILLER SHALL BE ELASTIC MATERIAL. POLY ETHYLENE SHEETS OR CORK PARTICLES OR EQUIVALENT MATERIALS CAN BE USED
 - JOINT SEALANTS SHALL BE FOLLOWED ASTM D2499.
 - REFER TO THE PLOT PLAN FOR LOCATED FENCE IN THE CELLAR.

LEGEND AND ABBREVIATION

	REINFORCED CONCRETE	T.O.F.	TOP OF FOUNDATION
	LEAN CONCRETE	T.O.W.	TOP OF WALL
	CEMENT BLOCK WALL	T.O.C.	TOP OF CONCRETE
	GRAVEL	T.O.PIT	TOP OF PIT
	SUB GRADE	B.O.P.	BOTTOM OF PIPE
	SLOPE	R.G.L.	ROUGH GRADING LEVEL
		T.O.CH.	TOP OF CHANNEL

REFERENCE DRAWING	DRG. No.
SPECIFICATION FOR FENCE & GATE	BK-GNRL-PEDCO-000-CV-SP-0003
GENERAL NOTES - STEEL STRUCTURES	BK-GNRL-PEDCO-000-ST-DW-0011
GENERAL NOTES - REINFORCED CONCRETE STRUCTURES	BK-GNRL-PEDCO-000-ST-DW-0012
GENERAL CIVIL LAYOUT - W046S	BK-W046S-PEDCO-110-CV-PY-0001
ROUGH GRADING PLANS - W046S	BK-W046S-PEDCO-110-CV-DW-0001
STANDARD DRAWING FOR CULVERT & DETAILS	BK-GNRL-PEDCO-000-CV-DW-0014
STANDARD DETAILS OF MISCELLANEOUS ITEMS	BK-GNRL-PEDCO-000-CV-DW-0040
SPECIFICATION FOR EARTH WORK	BK-GNRL-PEDCO-000-CV-SP-0004
PLOT PLAN DRAWING - W046S	BK-W046S-PEDCO-110-PI-DW-0001
AREA ELECTRICAL CABLE ROUTE & SECTION LAYOUT OF WELL PADS	BK-SSQRL-PEDCO-110-EL-PY-0006
PLATFORM STRUCTURE DRAWING - W046S	BK-W046S-PEDCO-110-ST-DW-0012



اسم و کلیه نسخ این نقشه و حق اقتباس متعلق به شرکت ملی مناطق نفت خیز جنوب میباشد.

THE ORIGINAL AND ALL COPIES OF THIS DRAWING TOGETHER WITH THE COPYRIGHT THEREIN ARE THE SOLE PROPERTY OF N.I.S.O.C./ FIELDS

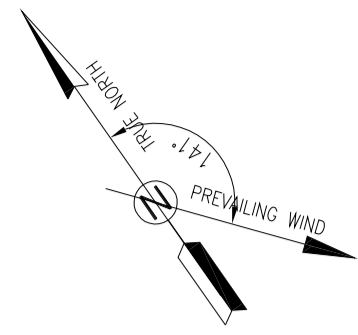
BINAK OILFIELD DEVELOPMENT SUB-SURFACE WORK PACKAGES W046S WELLHEAD FACILITIES

DATE	SCALE	DRAWING BY	CHECKED BY	PROJECT ENG.

NO CONSTRUCTION PERMITTED UNLESS DRAWING APPROVED

APPROVED FOR CONSTRUCTION	BY:	DATE:

BUDGET REF.	LOCATION	SIZE	CLASS	SERIAL NO.	SHEET	REVISION
053-073-9184	F	4	S	707854	16	D04



Excavation

Access Road

Waste & Cutting Disposal Pit Access Road
BACKFILL SOIL WITH 95% COMPACTION

Embankment

Mud Pit Channel

Excavation

Berm

BACKFILL SOIL WITH 95% COMPACTION

1:200 WASTE PIT & CUTTING DISPOSAL AREA PLAN

TABLE 11
(CORNERS COORDINATES)

POINT	E	N
POINT 1	E=435493.115	N=3294453.561
POINT 2	E=435513.595	N=3294439.223
POINT 3	E=435490.655	N=3294406.455
POINT 4	E=435470.175	N=3294420.792
POINT 5	E=435517.691	N=3294436.355
POINT 6	E=435538.171	N=3294422.018
POINT 7	E=435523.284	N=3294400.753
POINT 8	E=435515.231	N=3294389.250
POINT 9	E=435494.751	N=3294403.587

REV.	DATE	P.O.I.S	PREP.	CHK.	APP.	AUT.
D04	MAY.2023	APC	R. BERLOURI	M.PAKHARIAN	A.M.MOHSANI	** **
D03	DEC.2022	IPA	R. BERLOURI	M.PAKHARIAN	M.MEHRSHAD	** **
D02	SEP.2022	IPA	R. BERLOURI	M.PAKHARIAN	M.MEHRSHAD	** **
D01	JUL.2022	IPA	R. BERLOURI	M.PAKHARIAN	M.MEHRSHAD	** **
D00	MAY.2022	IPC	R. BERLOURI	M.PAKHARIAN	M.MEHRSHAD	** **

PROJECT NAME: BINAK OILFIELD DEVELOPMENT/SUB-SURFACE WORK PACKAGES W046S WELLHEAD FACILITIES

PROJECT NO.: 971020

EPC CONTRACTOR: HIRGAN ENERGY, TE, HIRGAN ENERGY - DESIGN & INSPECTION COMPANIES

EPD/EPC CONTRACTOR(GC): PETROIRAN DEVELOPMENT COMPANY, PEDCO

DRAWING TITLE: CIVIL AND STRUCTURAL DRAWINGS-W046S WASTE PIT & CUTTING DISPOSAL AREA PLAN

SCALE	SIZE	DRAWING NO.	SHEET NO.	REV.
AS SHOWN	A1	BK-W046S-PEDCO-110-CV-PY-0002	17 OF 46	D04

- NOTES
- ALL COORDINATES ARE IN METER.
 - ALL DIMENSIONS ARE IN MILLIMETERS AND ELEVATIONS ARE IN METER.
 - ALL DRAWINGS SHALL BE CHECKED BY CONTRACTOR WITH RELATIVE DRAWINGS BEFORE CONSTRUCTION.
 - ACCORDING TO THE SPECIFICATION OF CONCRETE WORKS: "BK-GNRL-PEDCO-000-ST-SP-0001", 28 DAYS CHARACTERISTIC COMPRESSIVE STRENGTH OF MAIN CONCRETE IS 25 MPa (ON CYLINDRICAL SPECIMEN)
 - ACCORDING TO THE SPECIFICATION OF CONCRETE WORKS: "BK-GNRL-PEDCO-000-ST-SP-0001", 28 DAYS CHARACTERISTIC COMPRESSIVE STRENGTH OF LEAN CONCRETE IS 15 MPa (ON CYLINDRICAL SPECIMEN)
 - REINFORCING BARS SHALL BE S400 ACCORDING TO: ISIRI3132 AND INBC9 WITH MINIMUM TENSILE YIELD STRENGTH 400 N/mm²
 - MINIMUM FOUNDATION NET CONCRETE COVER SHALL BE 75 mm.
 - SPECIFICATIONS OF THERMO PLAST ACRYLIC COLOR, BASED ON No.3758 NATIONAL STANDARD CODE: DENSITY : 4.1-5.1 gr/cm³ THICKNESS : 300-400 MICRON GLOSS : DULL SOLID MATERIAL PERCENTAGE BY WEIGHT : 75%±2 SOLID MATERIAL PERCENTAGE BY VOLUME : 48%±2
 - JOINT SEALANT MATERIALS SHALL BE WETHER-RESISTANT POLYURETHANE OR SILICONE SCH AS "AEROLASTIC 1674" OR SIMILAR AND SHALL CONFORM TO BS-4254 FOR VERTICAL JOINTS IN WALLS. THE FILLING MATERIAL MUST BE APPROVED BY THE WORKSHOP SUPERVISION
 - CONTRACTION JOINTS SHALL BE CONSIDERED IN CONCRETE SLABS EVERY 6m.
 - GEODETIC PARAMETERS FOR COORDINATES ARE AS BELOW: HORIZONTAL COORDINATE SYSTEM: WGS84/UTM ZONE 39 ELLIPSOID : WORLD GEODETIC SYSTEM 1984 (WGS84) MAP PROJECTION: UNIVERSAL TRANSVERSE MERCATOR (UTM) VERTICAL DATUM: MSL
 - ACCORDING TO THE GEOTECHNICAL REPORT SHOULD BE USED OF CEMENT TYPE2.
 - THE WASTE PIT SHALL BE COVERED WITH A LAYER OF GEOTEXTILE(ONE LAYER, MIN 600 KG/M²) AND GEOMEMBRANE (MIN 1.5 MM THICKNESS, 7 M WIDTH) BASED ON CIVIL DESIGN SPECIFICATION DOCUMENTS AND GRI-CM13. THE COVER SHALL EXTEND BEYOND THE OUTER EDGES OF THE PIT TO COVER AND ENTIRELY ENCAPSULATE THE PIT AND SHALL BE SLOPED TO PROVIDE SURFACE DRAINAGE AWAY FROM THE PIT. ±0.00 = +57.00(R.G.L.)MSL

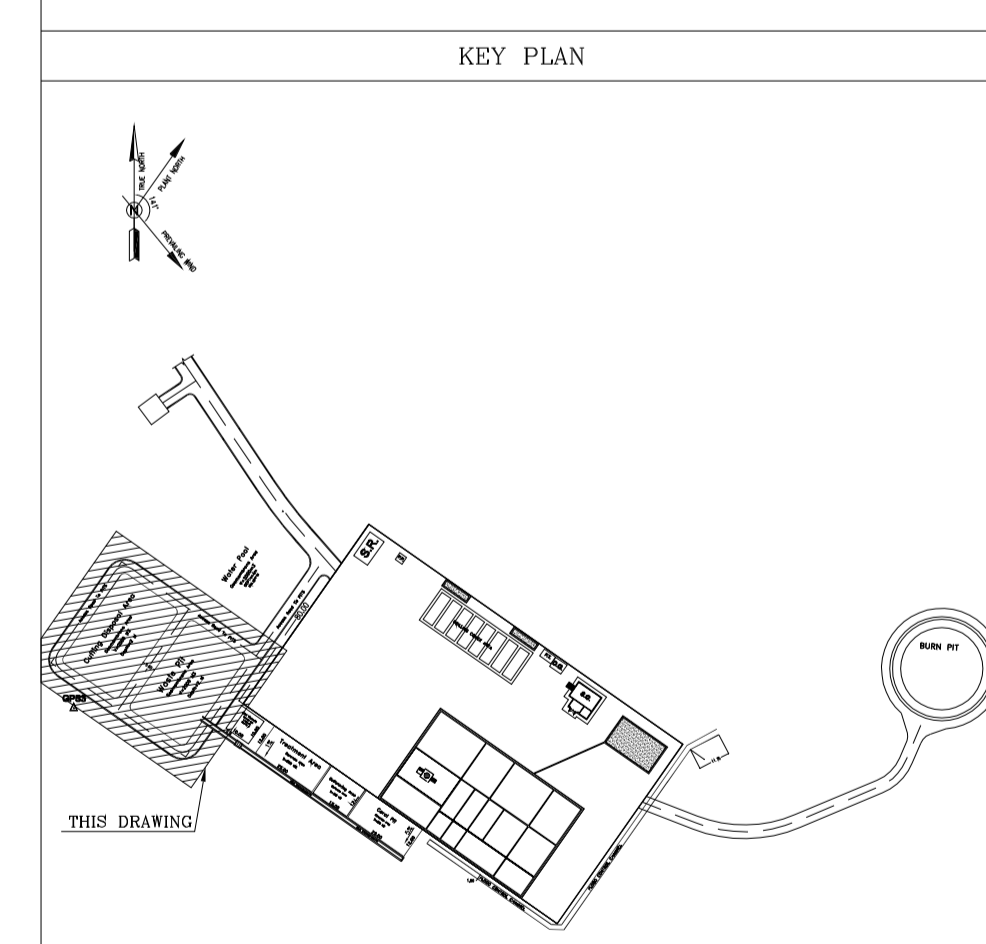
LEGEND AND ABBREVIATION

	REINFORCED CONCRETE	T.O.F.	TOP OF FOUNDATION
	LEAN CONCRETE	T.O.W.	TOP OF WALL
	CEMENT BLOCK WALL	T.O.C.	TOP OF CONCRETE
	Excavation	T.O.PIT	TOP OF PIT
	Bottom of pipe	B.O.P.	BOTTOM OF PIPE
	Rough grading level	R.G.L.	ROUGH GRADING LEVEL
	Top of channel	T.O.CH.	TOP OF CHANNEL

REFERENCE DRAWING

REFERENCE DRAWING	DRG. No.
SPECIFICATION FOR FENCE & GATE	BK-GNRL-PEDCO-000-CV-SP-0003
GENERAL NOTES - STEEL STRUCTURES	BK-GNRL-PEDCO-000-ST-DW-0011
GENERAL NOTES - REINFORCED CONCRETE STRUCTURES	BK-GNRL-PEDCO-000-ST-DW-0012
GENERAL CIVIL LAYOUT - W046S	BK-W046S-PEDCO-110-CV-PY-0001
ROUGH GRADING PLANS - W046S	BK-W046S-PEDCO-110-CV-DW-0001
STANDARD DRAWING FOR CULVERT & DETAILS	BK-GNRL-PEDCO-000-CV-DW-0014
STANDARD DETAILS OF MISCELLANEOUS ITEMS	BK-GNRL-PEDCO-000-CV-DW-0040
SPECIFICATION FOR EARTH WORK	BK-GNRL-PEDCO-000-CV-SP-0004
PLOT PLAN DRAWING - W046S	BK-W046S-PEDCO-110-PI-DW-0001
AREA ELECTRICAL CABLE ROUTE & SECTION LAYOUT OF WELL PADS	BK-SSORL-PEDCO-110-EL-PY-0006
PLATFORM STRUCTURE DRAWING - W046S	BK-W046S-PEDCO-110-ST-DW-0012

KEY PLAN



REV.	DESCRIPTION	BY	DATE	BY	DATE
***	*****	**	****	**	****
		CHECKED		REV. APPR.	

اسم و کلیه نسخ این نقشه و حق اقتباس متعلق به شرکت ملی مناطق نفت خیز جنوب میباشد.

THE ORIGINAL AND ALL COPIES OF THIS DRAWING TOGETHER WITH THE COPYRIGHT THEREIN ARE THE SOLE PROPERTY OF N.I.S.O.C./ FIELDS

BINAK OILFIELD DEVELOPMENT SUB-SURFACE WORK PACKAGES W046S WELLHEAD FACILITIES

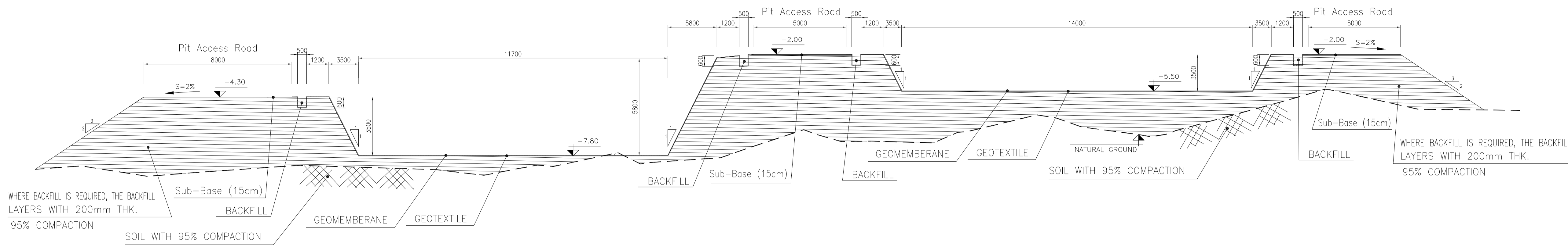
DATE	SCALE	DRAWING BY	CHECKED BY	PROJECT ENG.

NO CONSTRUCTION PERMITTED UNLESS DRAWING APPROVED

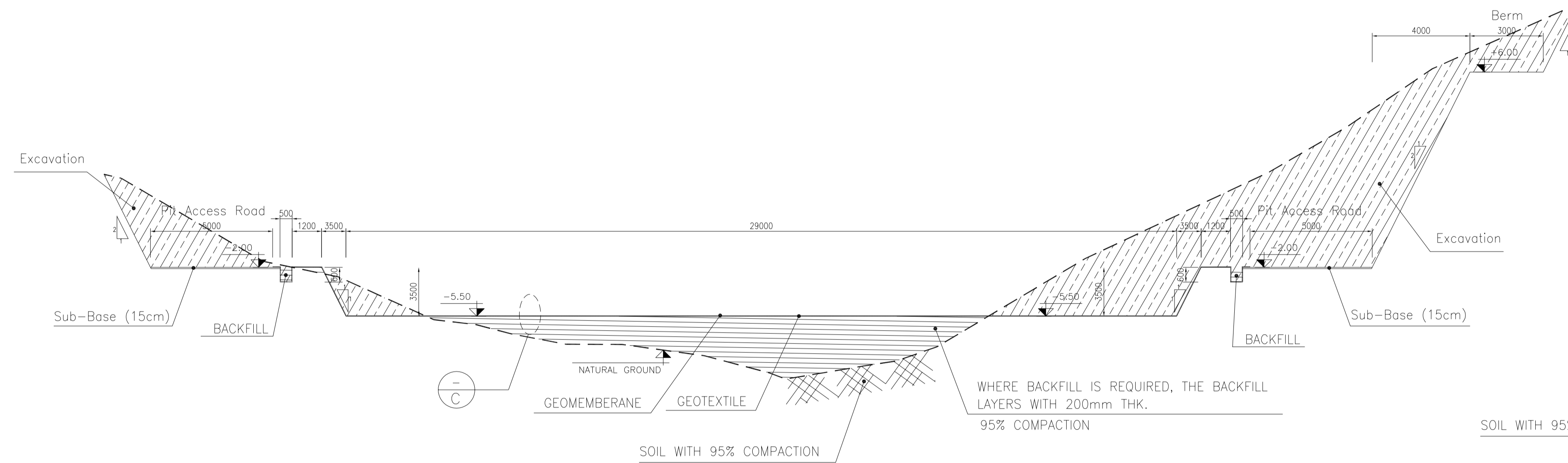
APPROVED FOR CONSTRUCTION	BY:	DATE:

BUDGET REF.	LOCATION	SIZE	CLASS	SERIAL NO.	SHEET	REVISION
AS SHOWN	A1	BK-W046S-PEDCO-110-CV-PY-0002	17 OF 46	D04	053-073-9184	F 4 S 707854 17 D04

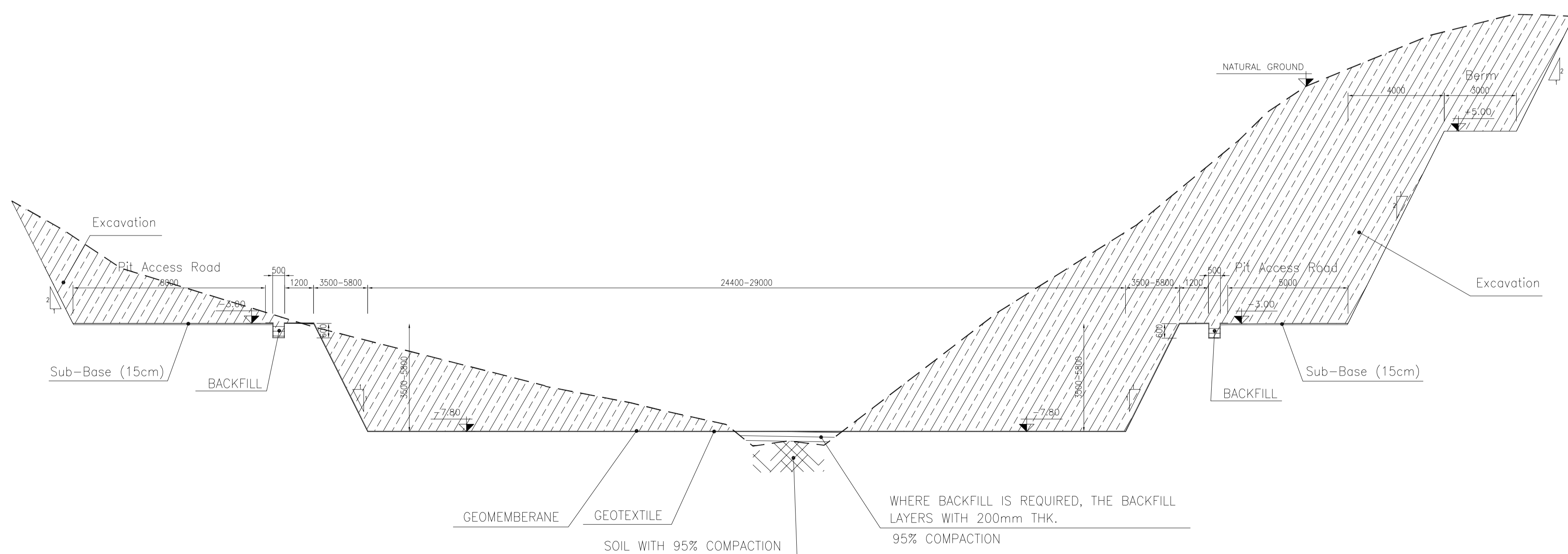
D04
Totally Revised



N.T.S. 17/45 WASTE PIT & CUTTING DISPOSAL AREA SECTION A



N.T.S. 17/45 WASTE PIT SECTION B



N.T.S. 17/45 CUTTING DISPOSAL AREA SECTION C

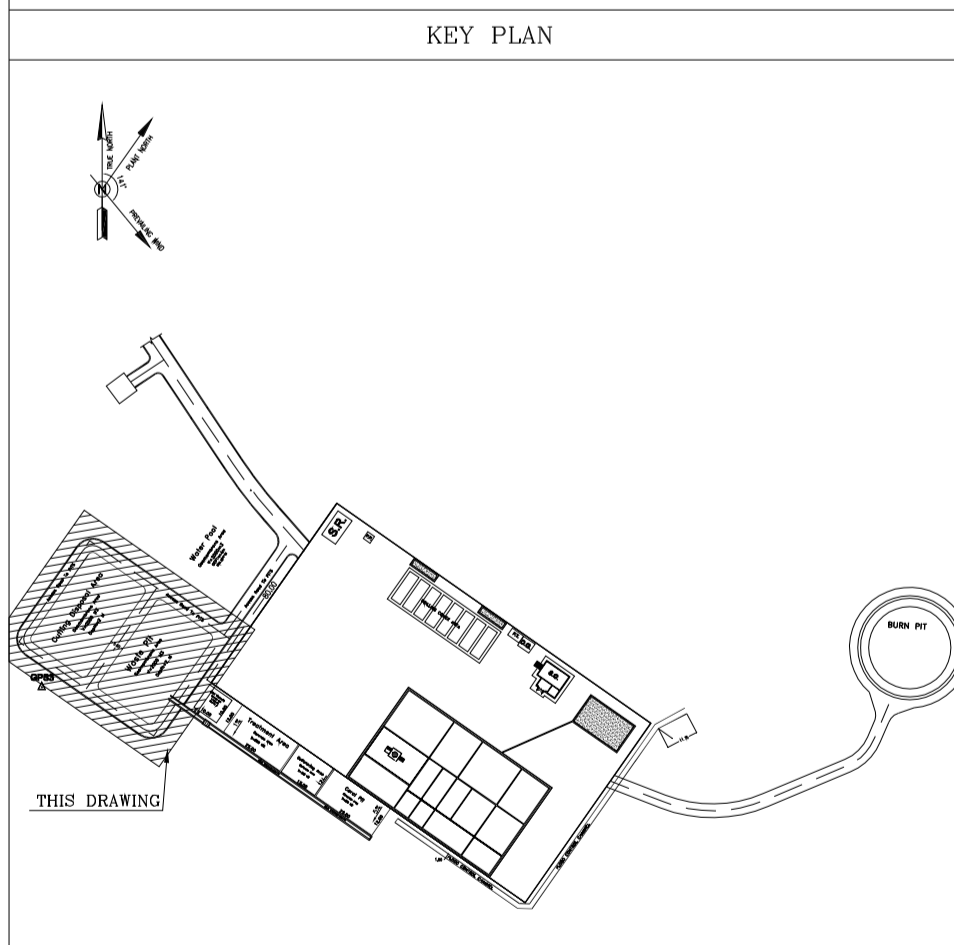
D04
Totally Revised

- NOTES**
- ALL COORDINATES ARE IN METER.
 - ALL DIMENSIONS ARE IN MILLIMETERS AND ELEVATIONS ARE IN METER.
 - ALL DRAWINGS SHALL BE CHECKED BY CONTRACTOR WITH RELATIVE DRAWINGS BEFORE CONSTRUCTION.
 - ACCORDING TO THE SPECIFICATION OF CONCRETE WORKS: "BK-GNRL-PEDCO-000-ST-SP-0001", 28 DAYS CHARACTERISTIC COMPRESSIVE STRENGTH OF MAIN CONCRETE IS 25 MPa (ON CYLINDRICAL SPECIMEN)
 - ACCORDING TO THE SPECIFICATION OF CONCRETE WORKS: "BK-GNRL-PEDCO-000-ST-SP-0001", 28 DAYS CHARACTERISTIC COMPRESSIVE STRENGTH OF LEAN CONCRETE IS 15 MPa (ON CYLINDRICAL SPECIMEN)
 - REINFORCING BARS SHALL BE S400 ACCORDING TO: ISIRI3132 AND INBC9 WITH MINIMUM TENSILE YIELD STRENGTH 400 N/mm²
 - MINIMUM FOUNDATION NET CONCRETE COVER SHALL BE 75 mm.
 - SPECIFICATIONS OF THERMO PLAST ACRYLIC COLOR, BASED ON No.3758 NATIONAL STANDARD CODE: DENSITY : 4.1-5.1 gr/cm³ THICKNESS : 300-400 MICRON GLOSS : DULL SOLID MATERIAL PERCENTAGE BY WEIGHT : 75%±2 SOLID MATERIAL PERCENTAGE BY VOLUME : 48%±2
 - JOINT SEALANT MATERIALS SHALL BE WETHER-RESISTANT POLYURETHANE OR SILICONE SCH AS "AEROLASTIC 1674" OR SIMILAR AND SHALL CONFORM TO BS-4254 FOR VERTICAL JOINTS IN WALLS. THE FILLING MATERIAL MUST BE APPROVED BY THE WORKSHOP SUPERVISION
 - CONTRACTION JOINTS SHALL BE CONSIDERED IN CONCRETE SLABS EVERY 6m.
 - GEODETIC PARAMETERS FOR COORDINATES ARE AS BELOW:
HORIZONTAL COORDINATE SYSTEM: WGS84/UTM ZONE 39
ELLIPSOID : WORLD GEODETIC SYSTEM 1984 (WGS84)
MAP PROJECTION: UNIVERSAL TRANSVERSE MERCATOR (UTM)
VERTICAL DATUM: MSL
 - ACCORDING TO THE GEOTECHNICAL REPORT SHOULD BE USED OF CEMENT TYPE2.
 - THE WASTE PIT SHALL BE COVERED WITH A LAYER OF GEOTEXTILE (ONE LAYER, MIN 600 KG/M²) AND GEOMEMBRANE (MIN 1.5 MM THICKNESS, 7 M WIDTH) BASED ON CIVIL DESIGN SPECIFICATION DOCUMENTS AND GR1-GM13. THE COVER SHALL EXTEND BEYOND THE OUTER EDGES OF THE PIT TO COVER AND ENTIRELY ENCAPSULATE THE PIT AND SHALL BE SLOPED TO PROVIDE SURFACE DRAINAGE AWAY FROM THE PIT.
±0.00 = +57.00(R.G.L.)MSL

LEGEND AND ABBREVIATION

	REINFORCED CONCRETE	T.O.F.	TOP OF FOUNDATION
	LEAN CONCRETE	T.O.W.	TOP OF WALL
	CEMENT BLOCK WALL	T.O.C.	TOP OF CONCRETE
	Excavation	T.O.PIT	TOP OF PIT
	B.O.P.	B.O.P.	BOTTOM OF PIPE
	R.G.L.	R.G.L.	ROUGH GRADING LEVEL
	SLOPE	T.O.CH.	TOP OF CHANNEL

REFERENCE DRAWING	DRG. No.
SPECIFICATION FOR FENCE & GATE	BK-GNRL-PEDCO-000-CV-SP-0003
GENERAL NOTES - STEEL STRUCTURES	BK-GNRL-PEDCO-000-ST-DW-0011
GENERAL NOTES - REINFORCED CONCRETE STRUCTURES	BK-GNRL-PEDCO-000-ST-DW-0012
GENERAL CIVIL LAYOUT - W046S	BK-W046S-PEDCO-110-CV-PY-0001
ROUGH GRADING PLANS - W046S	BK-W046S-PEDCO-110-CV-DW-0001
STANDARD DRAWING FOR CULVERT & DETAILS	BK-GNRL-PEDCO-000-CV-DW-0014
STANDARD DETAILS OF MISCELLANEOUS ITEMS	BK-GNRL-PEDCO-000-CV-DW-0040
SPECIFICATION FOR EARTH WORK	BK-GNRL-PEDCO-000-CV-SP-0004
PLOT PLAN DRAWING - W046S	BK-W046S-PEDCO-110-PI-DW-0001
AREA ELECTRICAL CABLE ROUTE & SECTION LAYOUT OF WELL PADS	BK-SSORL-PEDCO-110-EL-PY-0006
PLATFORM STRUCTURE DRAWING - W046S	BK-W046S-PEDCO-110-ST-DW-0012



REV.	DATE	P.O.I.S	PREP.	CHK.	APP.	AUT.
D04	MAY.2023	APC	R. BERLOURI	M.PAKHARIAN	A.M.MOHSSENI	***
D03	DEC.2022	IPA	R. BERLOURI	M.PAKHARIAN	M.MEHRSHAD	***
D02	SEP.2022	IPA	R. BERLOURI	M.PAKHARIAN	M.MEHRSHAD	***
D01	JUL.2022	IPA	R. BERLOURI	M.PAKHARIAN	M.MEHRSHAD	***
D00	MAY.2022	IFC	R. BERLOURI	M.PAKHARIAN	M.MEHRSHAD	***

اسم و کلیه نسخ این نقشه و حق اقتباس متعلق به شرکت ملی مناطق نفت خیز جنوب میباشد.
THE ORIGINAL AND ALL COPIES OF THIS DRAWING TOGETHER WITH THE COPYRIGHT THEREIN ARE THE SOLE PROPERTY OF N.I.S.O.C./ FIELDS

EPC CONTRACTOR: **HIRGAN ENERGY - DESIGN & INSPECTION COMPANIES**

EPD/EPC CONTRACTOR(GC): **PETROIRAN DEVELOPMENT COMPANY**

BINAK OILFIELD DEVELOPMENT
SUB-SURFACE WORK PACKAGES
W046S WELLHEAD FACILITIES

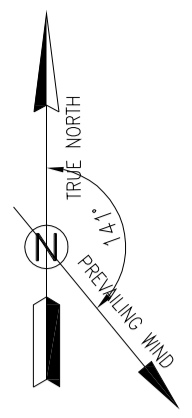
DATE	SCALE	DRAWING BY	CHECKED BY	PROJECT ENG.

DRAWING TITLE: CIVIL AND STRUCTURAL DRAWINGS-W046S
WASTE PIT & CUTTING DISPOSAL AREA SECTIONS

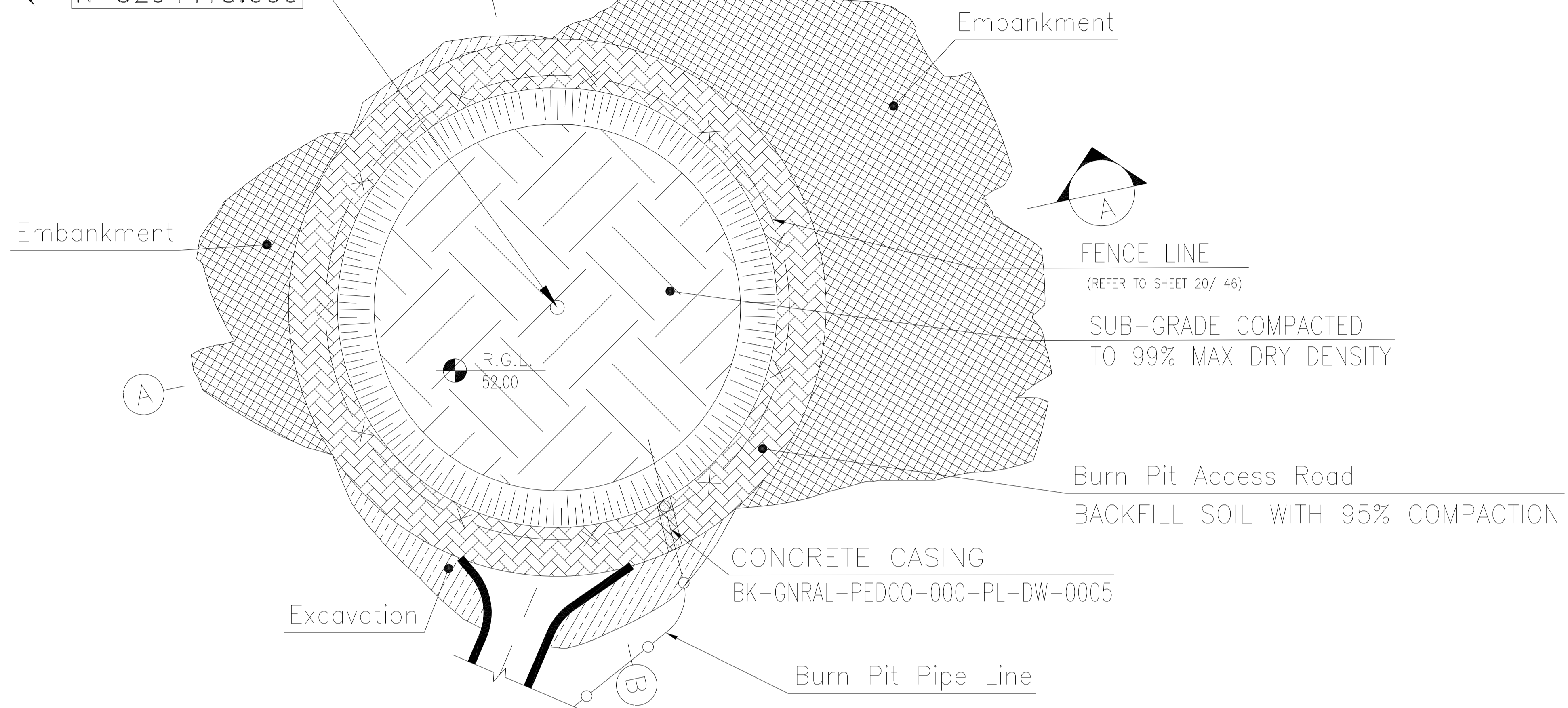
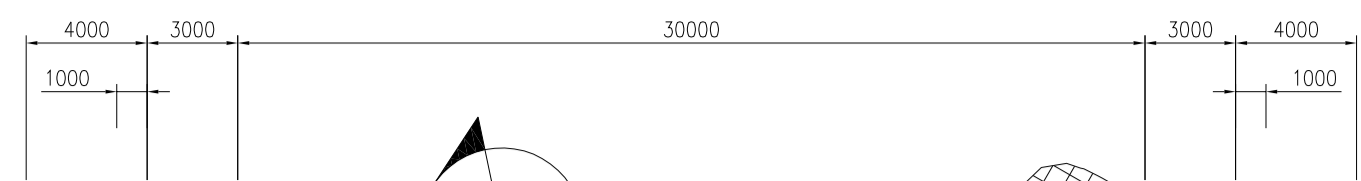
SCALE	SIZE	LOCATION	SIZE CLASS	SHEET NO.	REV.	BUDGET REF.	LOCATION	SIZE CLASS	SERIAL NO.	SHEET	REVISION	
AS SHOWN	A1	BK-W046S-PEDCO-110-CV-PY-0002		18 OF 46	D04	053-073-9184	F	4	S	707854	18	D04

NO CONSTRUCTION PERMITTED UNLESS DRAWING APPROVED

APPROVED FOR CONSTRUCTION	BY:	DATE:



E=435792.000
N=3294418.000



1:250 **1** BURN PIT PLAN

* THE DETAILS OF THIS FENCE ARE RELATED TO THE BURN PIT AREA

- NOTES**
- 1- ALL COORDINATES ARE IN METER.
 - 2- ALL DIMENSIONS ARE IN MILLIMETERS AND ELEVATIONS ARE IN METER.
 - 3- ALL DRAWINGS SHALL BE CHECKED BY CONTRACTOR WITH RELATIVE DRAWINGS BEFORE CONSTRUCTION.
 - 4- ACCORDING TO THE SPECIFICATION OF CONCRETE WORKS:
"BK-GNRL-PEDCO-000-ST-SP-0001", 28 DAYS CHARACTERISTIC COMPRESSIVE STRENGTH OF MAIN CONCRETE IS 25 MPa (ON CYLINDRICAL SPECIMEN)
 - 5- ACCORDING TO THE SPECIFICATION OF CONCRETE WORKS:
"BK-GNRL-PEDCO-000-ST-SP-0001", 28 DAYS CHARACTERISTIC COMPRESSIVE STRENGTH OF LEAN CONCRETE IS 15 MPa (ON CYLINDRICAL SPECIMEN)
 - 6- REINFORCING BARS SHALL BE S400 ACCORDING TO: ISIRI3132 AND INBC9 WITH MINIMUM TENSILE YIELD STRENGTH 400 N/mm²
 - 7- MINIMUM FOUNDATION NET CONCRETE COVER SHALL BE 75±2
 - 8- SPECIFICATIONS OF THERMO PLAST ACRYLIC COLOR, BASED ON No.3758 NATIONAL STANDARD CODE:
DENSITY : 4.1-5.1 gr/cm³
THICKNESS : 300-400 MICRON
GLOSS : DULL
SOLID MATERIAL PERCENTAGE BY WEIGHT : 75±2
SOLID MATERIAL PERCENTAGE BY VOLUME : 48±2
 - 9- JOINT SEALANT MATERIALS SHALL BE WETHER-RESISTANT POLYURETHANE OR SILICONE SCH AS "AEROLASTIC 1674" OR SIMILAR AND SHALL CONFORM TO BS-4254 FOR VERTICAL JOINTS IN WALLS. THE FILLING MATERIAL MUST BE APPROVED BY THE WORKSHOP SUPERVISION
 - 10- CONTRACTION JOINTS SHALL BE CONSIDERED IN CONCRETE SLABS EVERY 6m.
 - 11- GEODETIC PARAMETERS FOR COORDINATES ARE AS BELOW:
HORIZONTAL COORDINATE SYSTEM: WGS84/UTM ZONE 39
ELLIPSOID : WORLD GEODETIC SYSTEM 1984 (WGS84)
MAP PROJECTION: UNIVERSAL TRANSVERSE MERCATOR (UTM)
VERTICAL DATUM: MSL
 - 12- ACCORDING TO THE GEOTECHNICAL REPORT SHOULD BE USED OF CEMENT TYPE2.

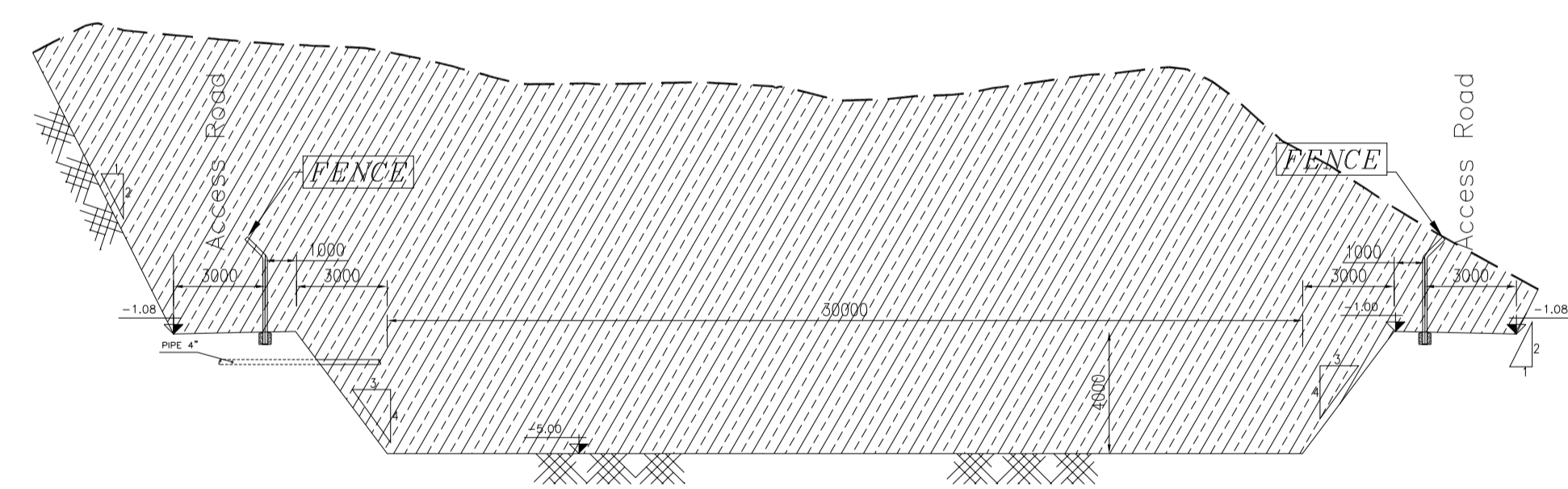
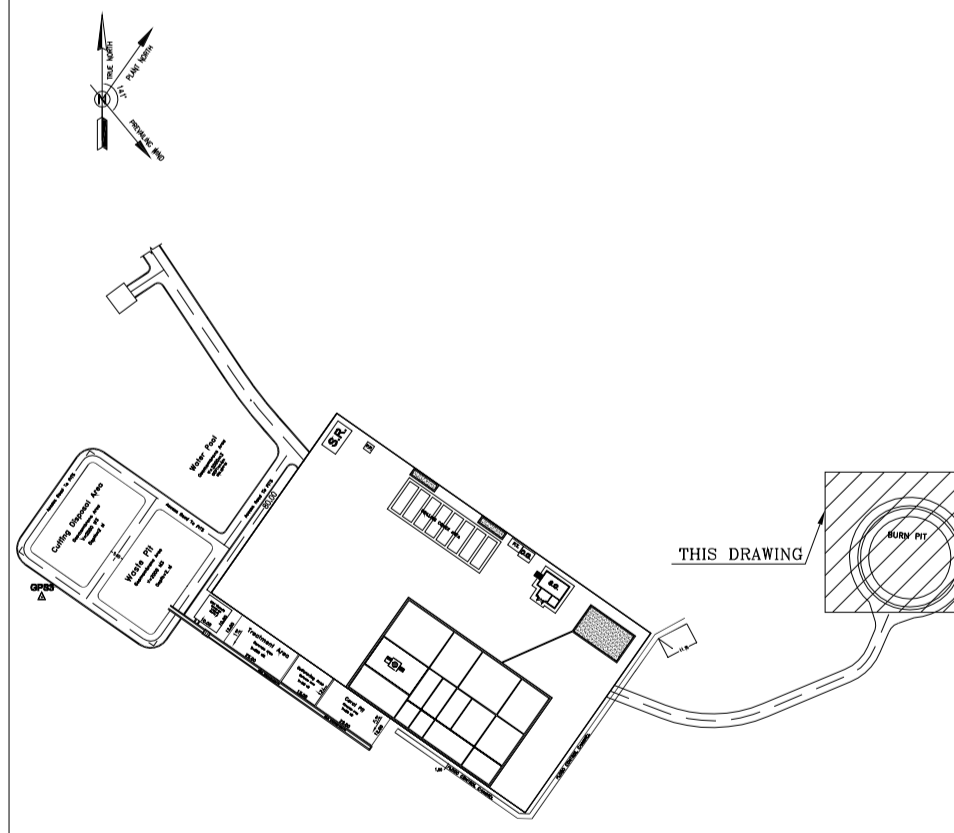
±0.00 = +57.00(R.G.L.)MSL

LEGEND AND ABBREVIATION

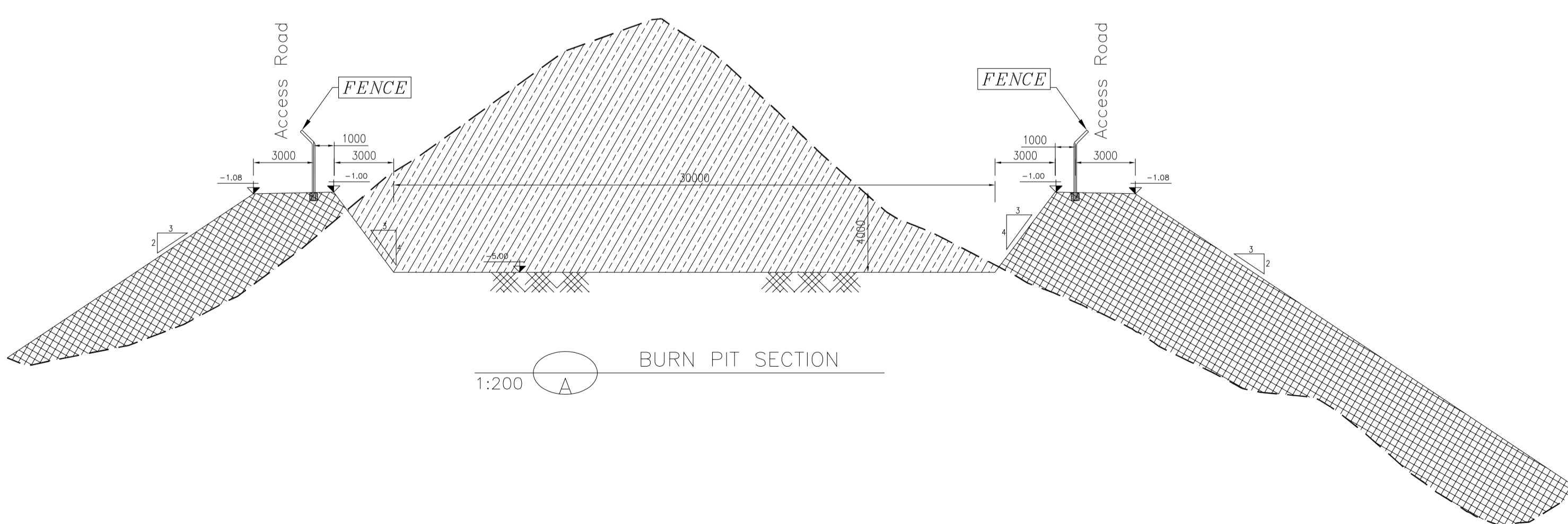
	REINFORCED CONCRETE	T.O.F.	TOP OF FOUNDATION
	LEAN CONCRETE	T.O.W.	TOP OF WALL
	CEMENT BLOCK WALL	T.O.C.	TOP OF CONCRETE
	Excavation	T.O.PIT	TOP OF PIT
	Sub-grade	B.O.P.	BOTTOM OF PIPE
	SLOPE	R.G.L.	ROUGH GRADING LEVEL
		T.O.CH.	TOP OF CHANNEL

REFERENCE DRAWING	DRG. No.
SPECIFICATION FOR FENCE & GATE	BK-GNRL-PEDCO-000-CV-SP-0003
GENERAL NOTES - STEEL STRUCTURES	BK-GNRL-PEDCO-000-ST-DW-0011
GENERAL NOTES - REINFORCED CONCRETE STRUCTURES	BK-GNRL-PEDCO-000-ST-DW-0012
GENERAL CIVIL LAYOUT - W046S	BK-W046S-PEDCO-110-CV-PY-0001
ROUGH GRADING PLANS - W046S	BK-W046S-PEDCO-110-CV-DW-0001
STANDARD DRAWING FOR CULVERT & DETAILS	BK-GNRL-PEDCO-000-CV-DW-0014
STANDARD DETAILS OF MISCELLANEOUS ITEMS	BK-GNRL-PEDCO-000-CV-DW-0040
SPECIFICATION FOR EARTH WORK	BK-GNRL-PEDCO-000-CV-SP-0004
PLOT PLAN DRAWING - W046S	BK-W046S-PEDCO-110-PI-DW-0001
AREA ELECTRICAL CABLE ROUTE & SECTION LAYOUT OF WELL PADS	BK-SSORL-PEDCO-110-EL-PY-0006
PLATFORM STRUCTURE DRAWING - W046S	BK-W046S-PEDCO-110-ST-DW-0012

KEY PLAN



1:200 **B** BURN PIT SECTION



1:200 **A** BURN PIT SECTION

REV.	DESCRIPTION	BY	DATE	BY	DATE	
D04	MAY.2023	APC	R. BERLOURI	M.PAKHARIAN	A.M.MOHSANI	** **
D03	DEC.2022	IPA	R. BERLOURI	M.PAKHARIAN	M.MEHRSHAD	** **
D02	SEP.2022	IPA	R. BERLOURI	M.PAKHARIAN	M.MEHRSHAD	** **
D01	JUL.2022	IPA	R. BERLOURI	M.PAKHARIAN	M.MEHRSHAD	** **
D00	MAY.2022	IPC	R. BERLOURI	M.PAKHARIAN	M.MEHRSHAD	** **

REV.	DATE	P.O.I.S	PREP.	CHK.	APP.	AUT.
PROJECT NAME: BINAK OILFIELD DEVELOPMENT/SUB-SURFACE WORK PACKAGES W046S WELLHEAD FACILITIES						
PROJECT NO.: 971020						
EPC CONTRACTOR:			EPD/EPC CONTRACTOR(GC):			
 HIRGAN ENERGY - DESIGN & INSPECTION COMPANIES			 PETROIRAN DEVELOPMENT COMPANY			
DRAWING TITLE: CIVIL AND STRUCTURAL DRAWINGS-W046S BURN PIT PLAN-SECTIONS						
SCALE	SIZE	DRAWING NO.		SHEET NO.	REV.	
AS SHOWN	A1	BK-W046S-PEDCO-110-CV-PY-0002		19 OF 46	D04	053-073-9184

اسم و کلیه نسخ این نقشه و حق اقتباس متعلق به شرکت ملی مناطق نفت خیز جنوب میباشد.

THE ORIGINAL AND ALL COPIES OF THIS DRAWING TOGETHER WITH THE COPYRIGHT THEREIN ARE THE SOLE PROPERTY OF N.I.S.O.C./ FIELDS

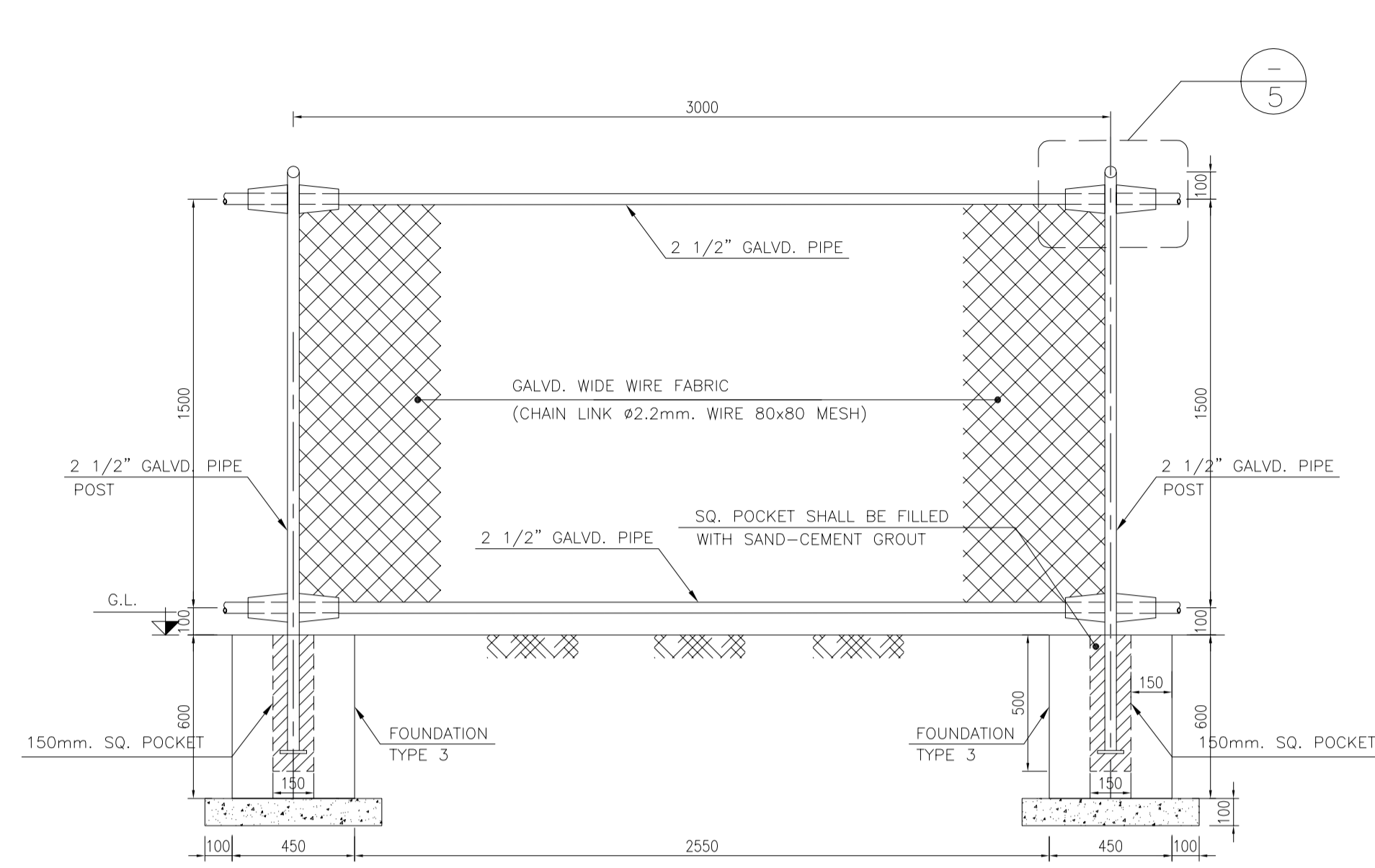
DATE	SCALE	DRAWING BY	CHECKED BY	PROJECT ENG.

NO CONSTRUCTION PERMITTED UNLESS DRAWING APPROVED

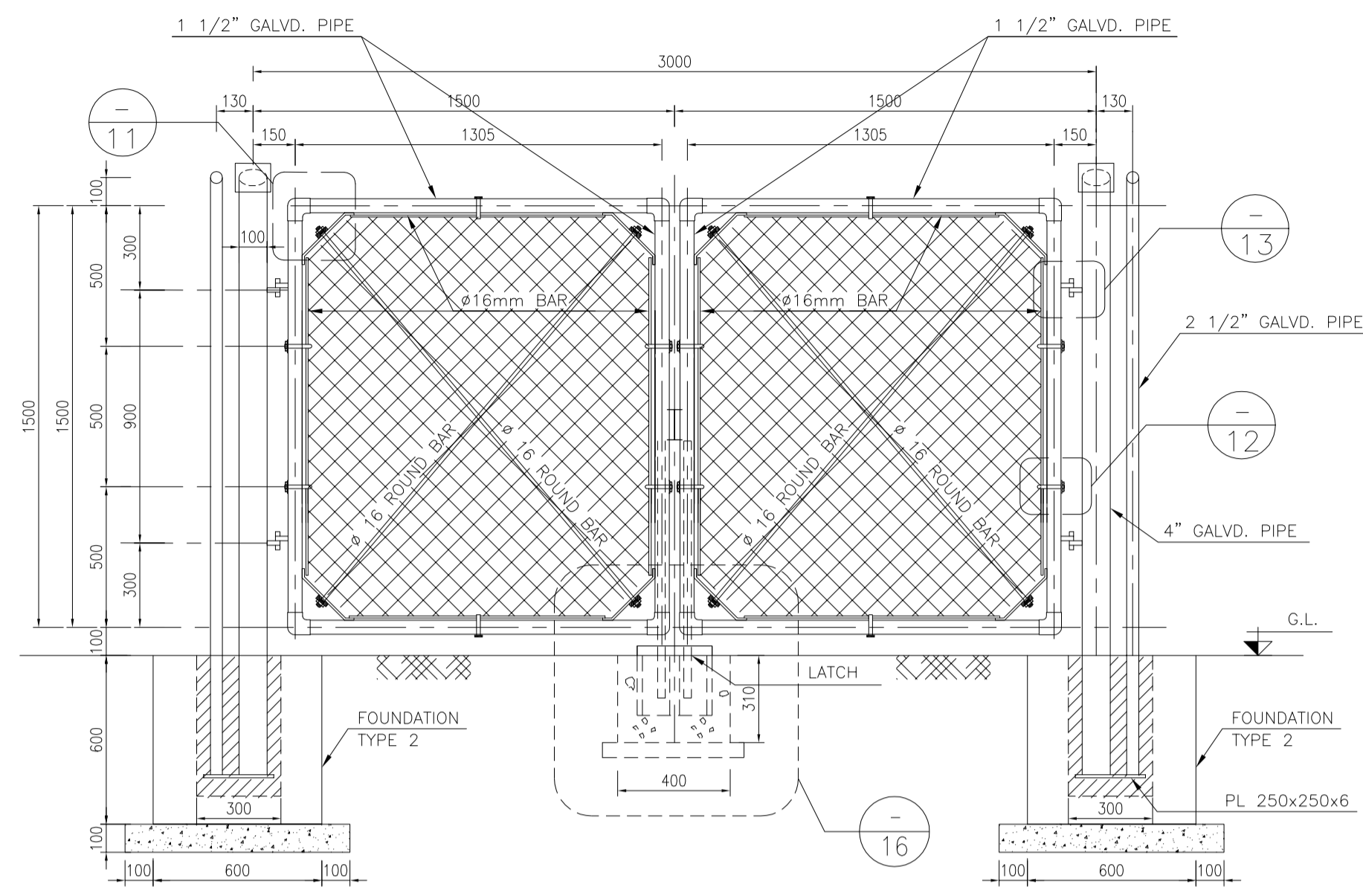
APPROVED FOR CONSTRUCTION	BY:	DATE:

BUDGET REF.	LOCATION	SIZE	CLASS	SERIAL NO.	SHEET	REVISION
AS SHOWN	A1	BK-W046S-PEDCO-110-CV-PY-0002	19 OF 46	D04	053-073-9184	F 4 S 707854 19 D04

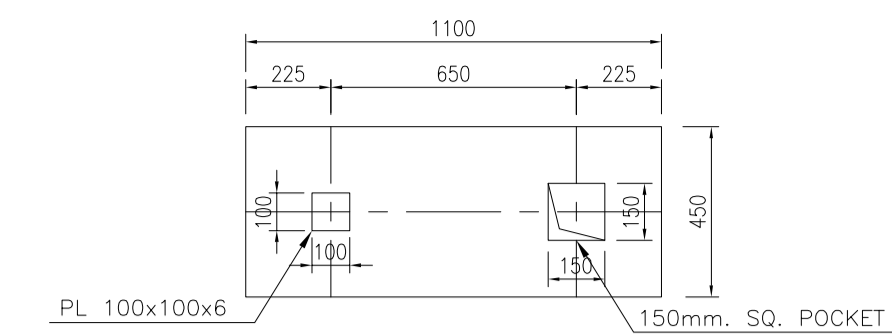
D04
Totally Revised



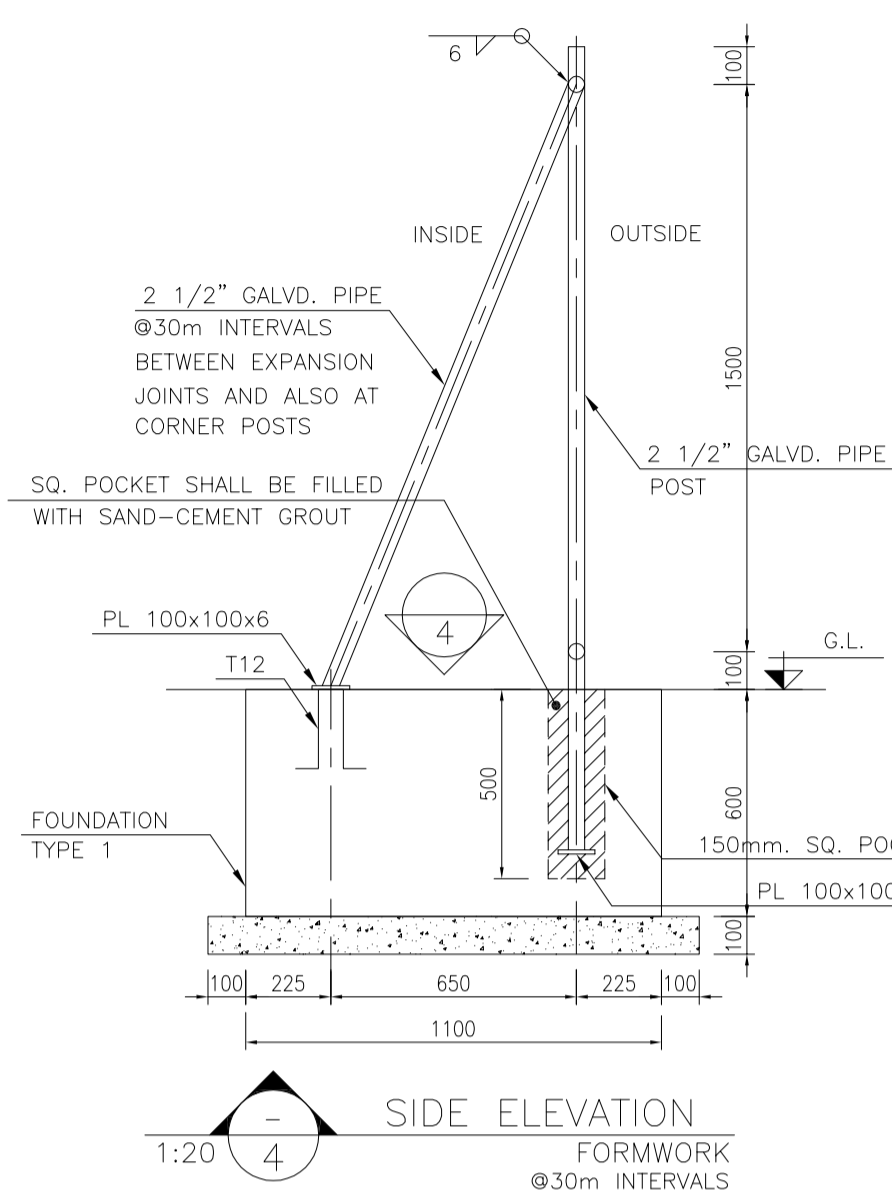
1:20 FRONT ELEVATION (INSIDE VIEW)



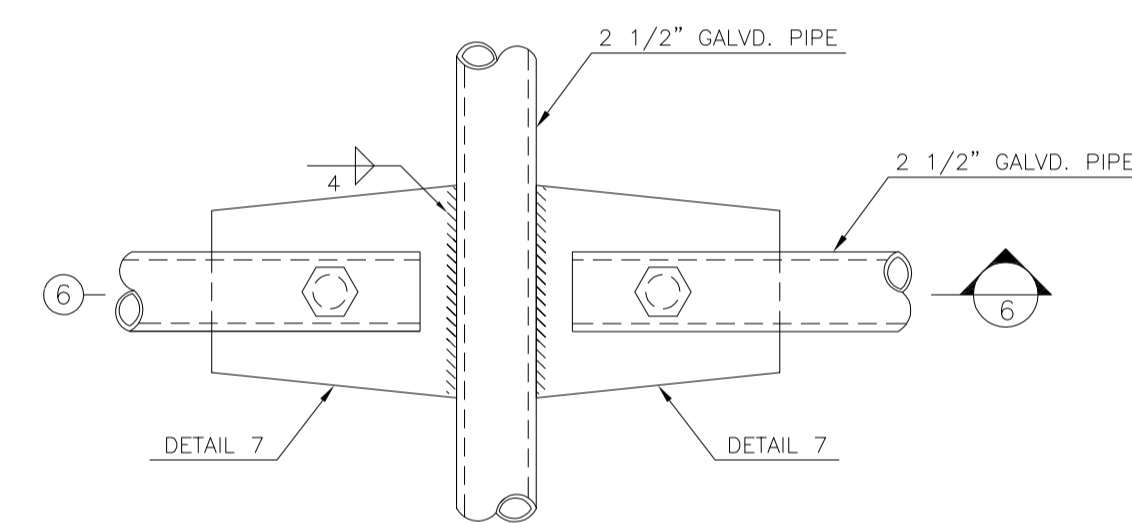
1:20 TYPICAL GATE DETAIL FRONT VIEW



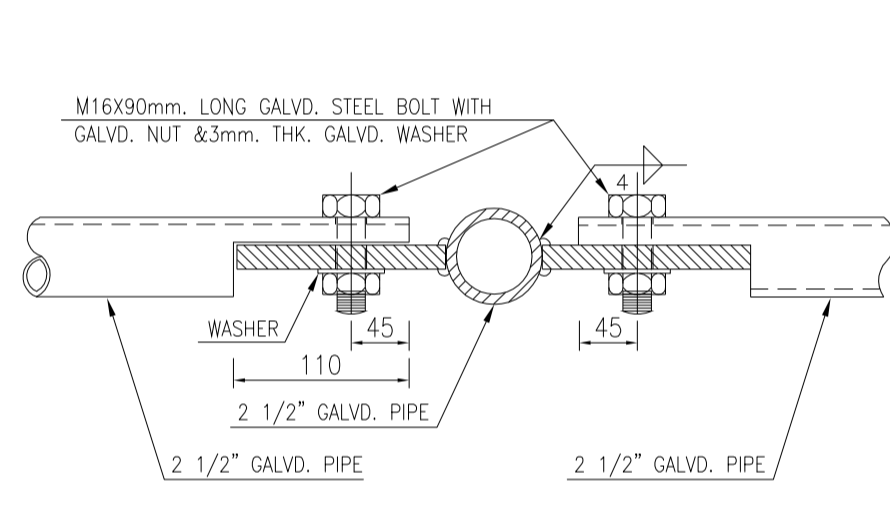
1:20



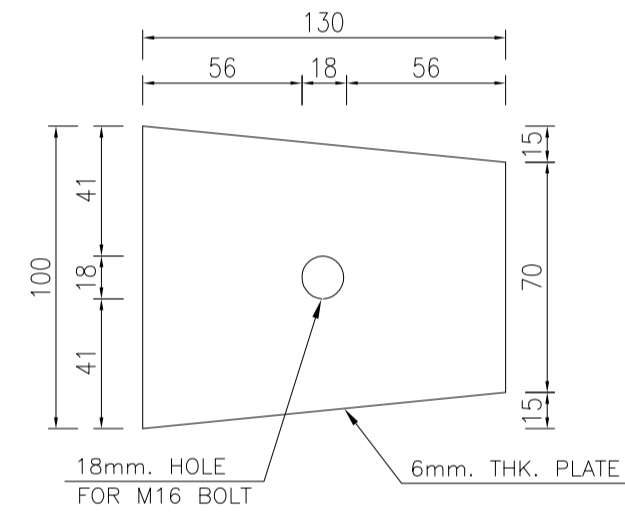
1:20 SIDE ELEVATION



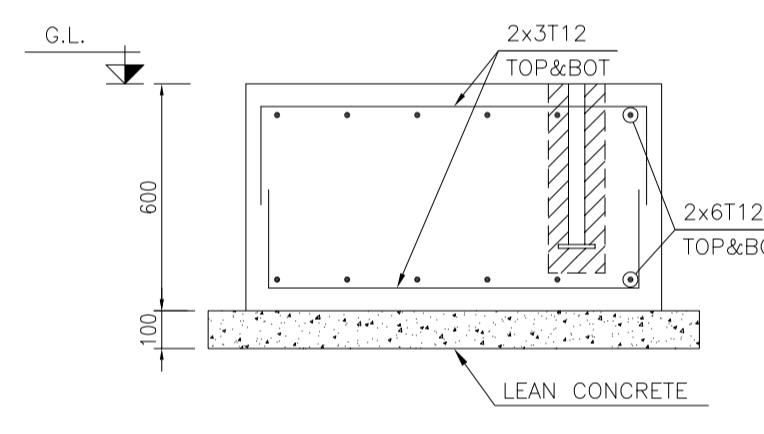
N.T.S. 5



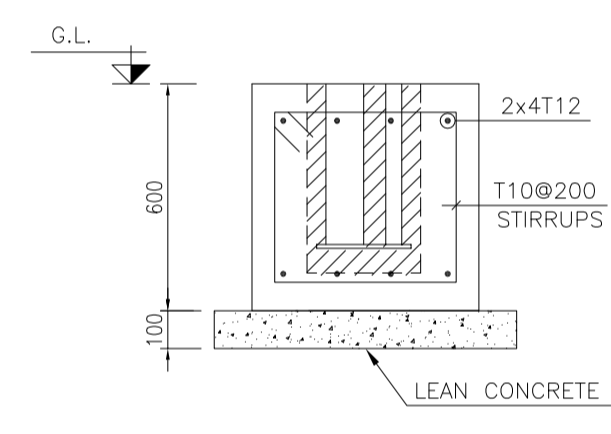
N.T.S. 6



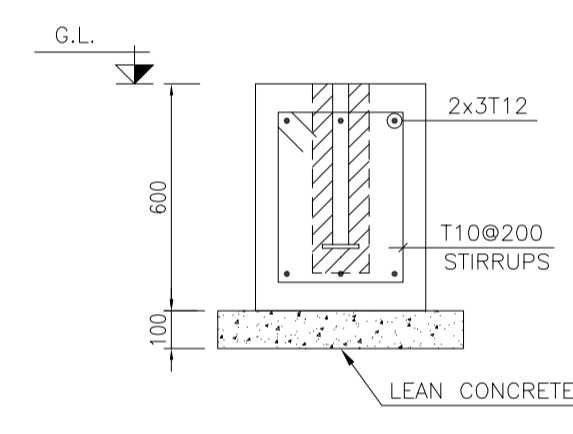
N.T.S. 7



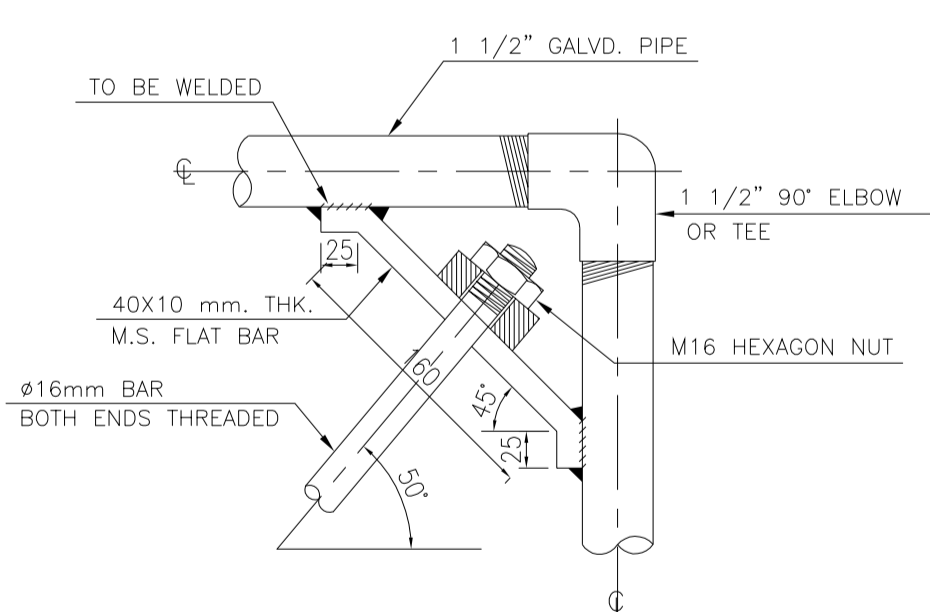
1:20 FOUND. TYPE 1 REINFORCEMENT



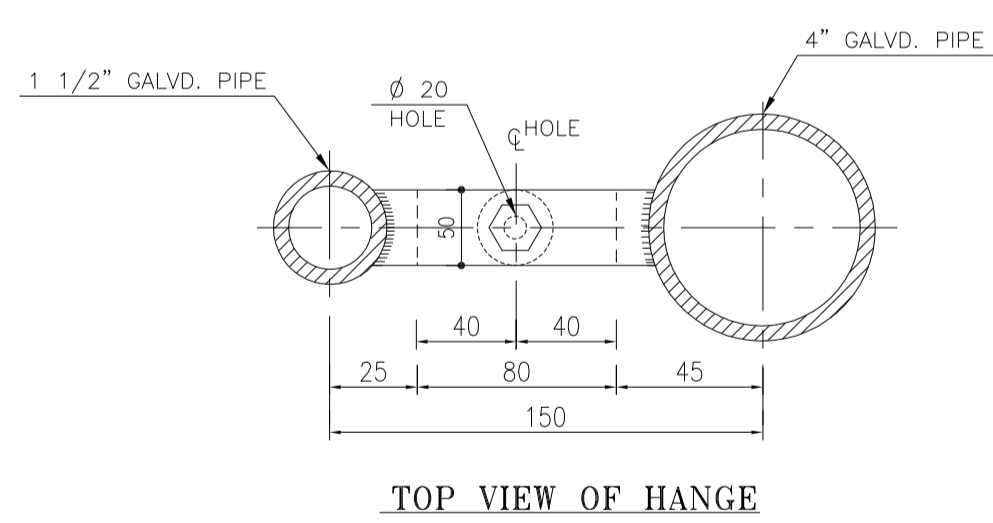
1:20 FOUND. TYPE 2 REINFORCEMENT



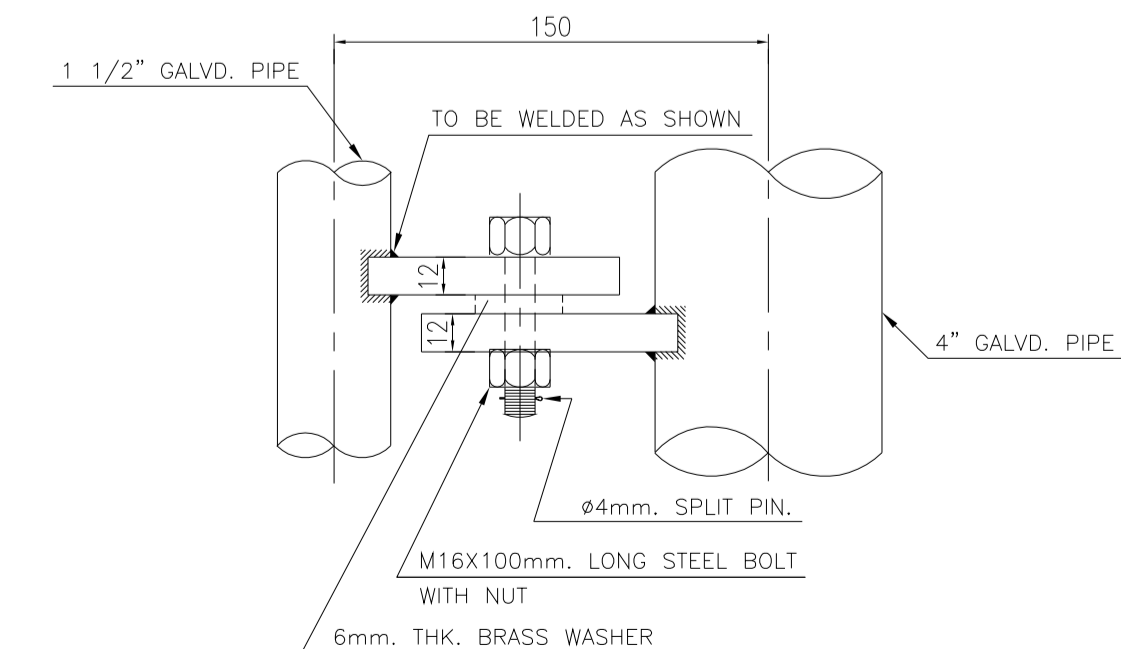
1:20 FOUND. TYPE 3 REINFORCEMENT



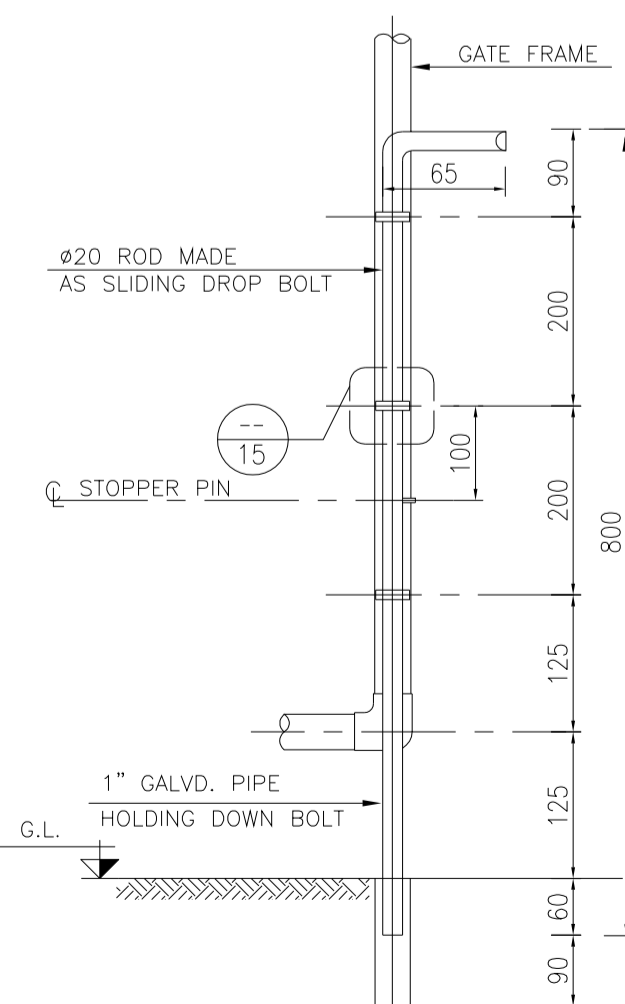
N.T.S. 11



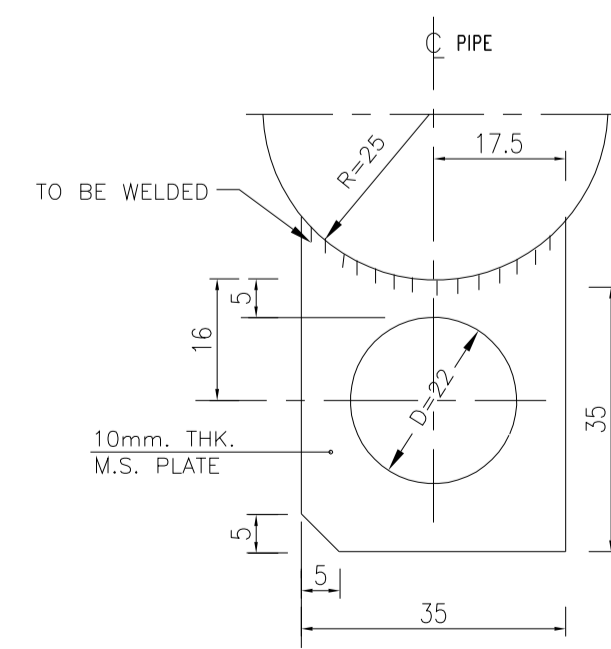
TOP VIEW OF HANGE



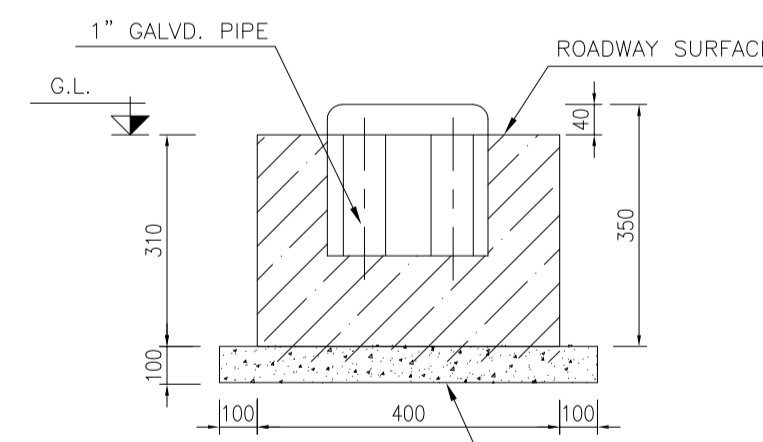
SIDE VIEW OF HANGE



N.T.S. 14

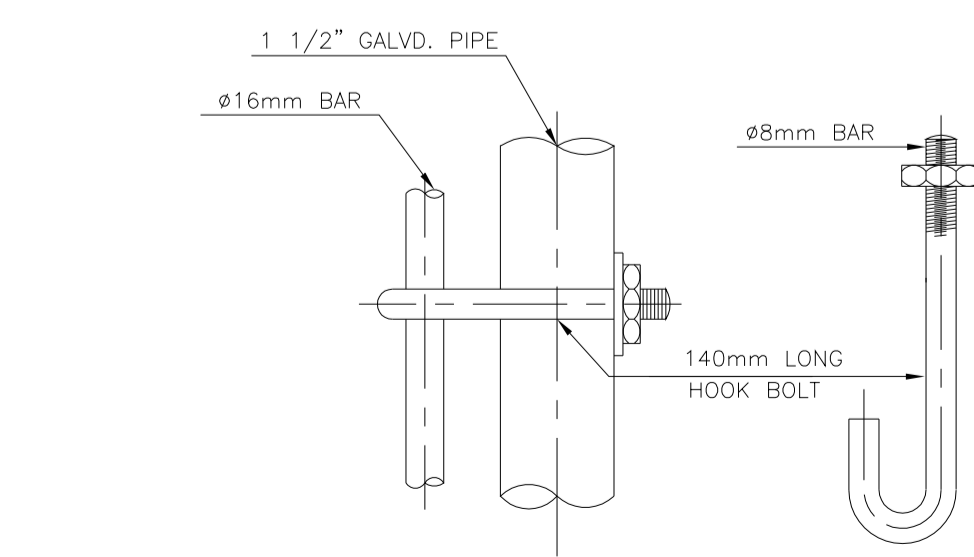


N.T.S. 15



N.T.S. 16

* ALL CORNER WELDING IS DONE ON THE SITE.



N.T.S. 12

- NOTES**
- ALL COORDINATES ARE IN METER.
 - ALL DIMENSIONS ARE IN MILLIMETERS AND ELEVATIONS ARE IN METER.
 - ALL DRAWINGS SHALL BE CHECKED BY CONTRACTOR WITH RELATIVE DRAWINGS BEFORE CONSTRUCTION.
 - ACCORDING TO THE SPECIFICATION OF CONCRETE WORKS: "BK-GNRL-PEDCO-000-ST-SP-0001", 28 DAYS CHARACTERISTIC COMPRESSIVE STRENGTH OF MAIN CONCRETE IS 25 MPa (ON CYLINDRICAL SPECIMEN)
 - ACCORDING TO THE SPECIFICATION OF CONCRETE WORKS: "BK-GNRL-PEDCO-000-ST-SP-0001", 28 DAYS CHARACTERISTIC COMPRESSIVE STRENGTH OF LEAN CONCRETE IS 15 MPa (ON CYLINDRICAL SPECIMEN)
 - REINFORCING BARS SHALL BE S400 ACCORDING TO: IS:R13132 AND INCB9 WITH MINIMUM TENSILE YIELD STRENGTH 400 N/mm²
 - MINIMUM FOUNDATION NET CONCRETE COVER SHALL BE 75 mm.
 - SPECIFICATIONS OF THERMO PLAST ACRYLIC COLOR, BASED ON No.3758 NATIONAL STANDARD CODE: THICKNESS : 300-400 MICRON GLOSS : DULL SOLID MATERIAL PERCENTAGE BY WEIGHT : 75%±2 SOLID MATERIAL PERCENTAGE BY VOLUME : 48%±2
 - JOINT SEALANT MATERIALS SHALL BE WEATHER-RESISTANT POLYURETHANE OR SILICONE SUCH AS "AEROLASTIC 1674" OR SIMILAR AND SHALL CONFORM TO BS-4254 FOR VERTICAL JOINTS IN WALLS. THE FILLING MATERIAL MUST BE APPROVED BY THE WORKSHOP SUPERVISION
 - CONTRACTION JOINTS SHALL BE CONSIDERED IN CONCRETE SLABS EVERY 6m.
 - GEODETIC PARAMETERS FOR COORDINATES ARE AS BELOW: HORIZONTAL COORDINATE SYSTEM: WGS84/UTM ZONE 39 ELLIPSOID : WORLD GEODETIC SYSTEM 1984 (WGS84) MAP PROJECTION: UNIVERSAL TRANSVERSE MERCATOR (UTM) VERTICAL DATUM: MSL
 - ACCORDING TO THE GEOTECHNICAL REPORT SHOULD BE USED OF CEMENT TYPE 2.
 - JOINT FILLER SHALL BE ELASTIC MATERIAL. POLY ETHYLENE SHEETS OR CORK PARTICLES OR EQUIVALENT MATERIALS CAN BE USED
 - JOINT SEALANTS SHALL BE FOLLOWED ASTM D4299.
 - REFER TO THE PLOT PLAN FOR LOCATED FENCE IN THE CELLAR.

±0.00 = +57.00(R.G.L.)MSL

LEGEND AND ABBREVIATION

	REINFORCED CONCRETE	T.O.F.	TOP OF FOUNDATION
	LEAN CONCRETE	T.O.W.	TOP OF WALL
	CEMENT BLOCK WALL	T.O.C.	TOP OF CONCRETE
	GRAVEL	T.O.PIT	TOP OF PIT
	SUB GRADE	B.O.P.	BOTTOM OF PIPE
	SLOPE	R.G.L.	ROUGH GRADING LEVEL
		T.O.CH.	TOP OF CHANNEL

REFERENCE DRAWING

REFERENCE DRAWING	DRG. No.
SPECIFICATION FOR FENCE & GATE	BK-GNRL-PEDCO-000-CV-SP-0003
GENERAL NOTES - STEEL STRUCTURES	BK-GNRL-PEDCO-000-ST-DW-0011
GENERAL NOTES - REINFORCED CONCRETE STRUCTURES	BK-GNRL-PEDCO-000-ST-DW-0012
GENERAL CIVIL LAYOUT - W046S	BK-W046S-PEDCO-110-CV-PY-0001
ROUGH GRADING PLANS - W046S	BK-W046S-PEDCO-110-CV-DW-0001
STANDARD DRAWING FOR CULVERT & DETAILS	BK-GNRL-PEDCO-000-CV-DW-0014
STANDARD DETAILS OF MISCELLANEOUS ITEMS	BK-GNRL-PEDCO-000-CV-DW-0040
SPECIFICATION FOR EARTH WORK	BK-GNRL-PEDCO-000-CV-SP-0004
PLOT PLAN DRAWING - W046S	BK-W046S-PEDCO-110-PI-DW-0001
AREA ELECTRICAL CABLE ROUTE & SECTION LAYOUT OF WELL PADS	BK-SSRL-PEDCO-110-EL-PY-0006
PLATFORM STRUCTURE DRAWING - W046S	BK-W046S-PEDCO-110-ST-DW-0012

KEY PLAN

REV.	DATE	DESCRIPTION	BY	DATE	BY	DATE
D04	MAY.2023	APC	R. BERLOURI	M.PAKHARIAN	A.M.MOHSSENI	***
D03	DEC.2022	IFA	R. BERLOURI	M.PAKHARIAN	M.MEHRSHAD	***
D02	SEP.2022	IFA	R. BERLOURI	M.PAKHARIAN	M.MEHRSHAD	***
D01	JUL.2022	IFA	R. BERLOURI	M.PAKHARIAN	M.MEHRSHAD	***
D00	MAY.2022	IPC	R. BERLOURI	M.PAKHARIAN	M.MEHRSHAD	***

PROJECT NAME: BINAK OILFIELD DEVELOPMENT/SUB-SURFACE WORK PACKAGES W046S WELLHEAD FACILITIES

PROJECT NO.: 971020

EPC CONTRACTOR: HIRGAN ENERGY

EPD/EPC CONTRACTOR(GC): PETROIRAN DEVELOPMENT COMPANY

DRAWING TITLE: CIVIL AND STRUCTURAL DRAWINGS-W046S BURN PIT FENCE-DETAILS

SCALE	SIZE	DRAWING NO.	SHEET NO.	REV.	BUDGET REF.	LOCATION	SIZE	CLASS	SERIAL NO.	SHEET	REVISION
AS SHOWN	A1	BK-W046S-PEDCO-110-CV-PY-0002	20 OF 46	D04	053-073-9184	F	4	S	707854	20	D04

امحل و کلیه نسخ این نقشه و حق اقتباس متعلق به شرکت ملی مناطق نفت خیز جنوب می باشد.

THE ORIGINAL AND ALL COPIES OF THIS DRAWING TOGETHER WITH THE COPYRIGHT THEREIN ARE THE SOLE PROPERTY OF N.I.S.C./ FIELDS

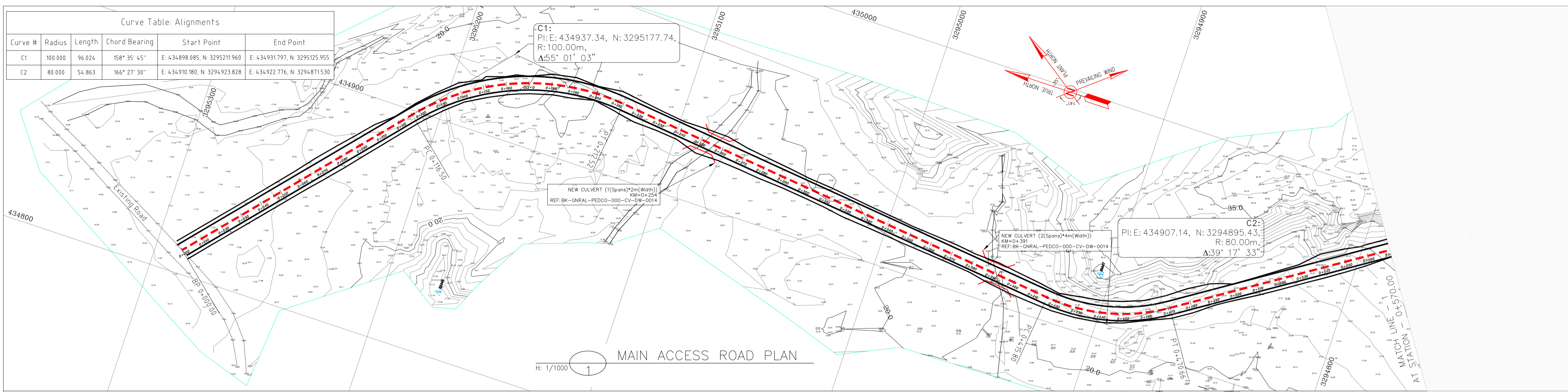
BINAK OILFIELD DEVELOPMENT SUB-SURFACE WORK PACKAGES W046S WELLHEAD FACILITIES

DATE	SCALE	DRAWING BY	CHECKED BY	PROJECT ENG.

NO CONSTRUCTION PERMITTED UNLESS DRAWING APPROVED

APPROVED FOR CONSTRUCTION BY: DATE:

Totally Revised

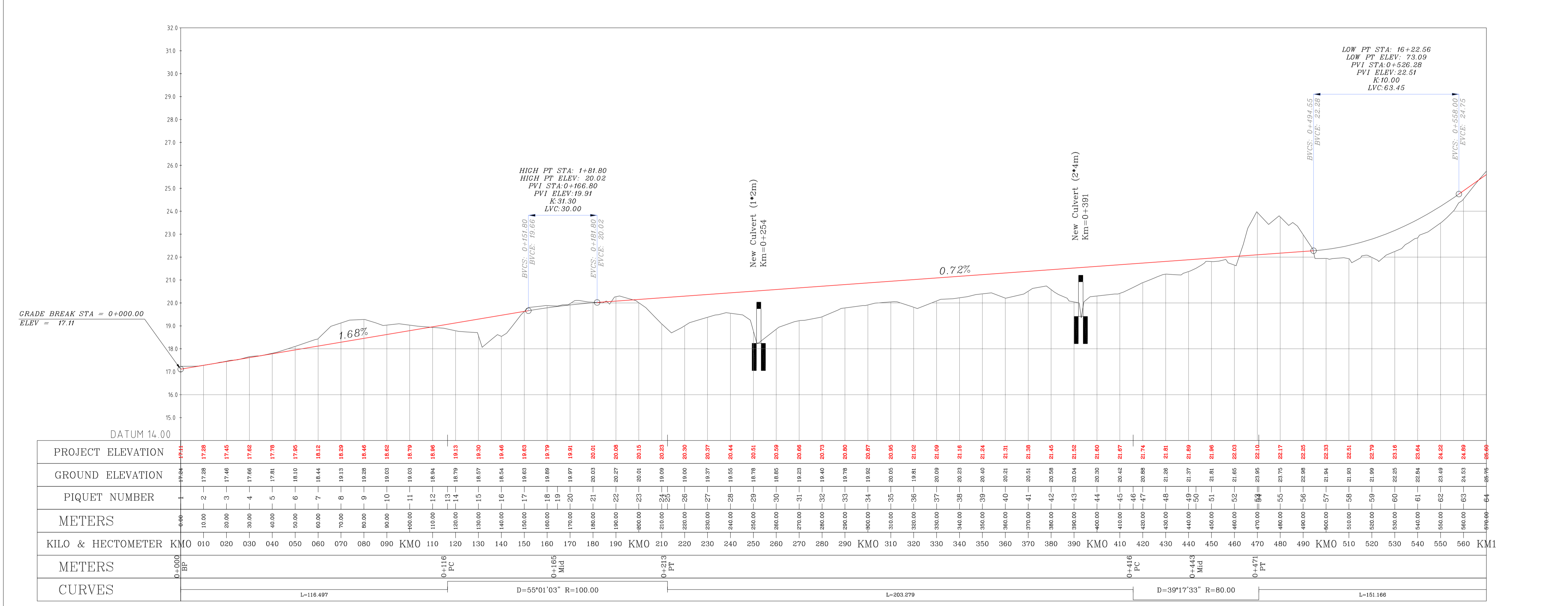


NOTES

- ALL COORDINATES AND ELEVATIONS ARE IN METER.
- ALL DRAWINGS SHALL BE CHECKED BY CONTRACTOR WITH RELATIVE DRAWINGS BEFORE CONSTRUCTION.
- GEODETIC PARAMETERS FOR COORDINATES ARE AS BELOW:
HORIZONTAL COORDINATE SYSTEM: WGS84/UTM ZONE 39
ELLIPSOID: WORLD GEODETIC SYSTEM 1984 (WGS84)
MAP PROJECTION: UNIVERSAL TRANSVERSE MERCATOR (UTM)
VERTICAL DATUM: MSL
- THE SUITABLE MATERIAL FOR FILLING SHALL BE COLLECTED BASED ON TO THE BELOW RULES:
- PROJECT GEOTECHNICAL INVESTIGATION REPORT, BORROW MATERIALS AND SPECIFICATION STUDY PART.
- "GENERAL SPECIFICATION FOR ROAD" NO. 101, SECTION 207, BRAN PLANNING AND BUDGET ORGANIZATION
- PROJECT GENERAL SPECIFICATION "SPECIFICATION FOR EARTH WORK" DOCUMENT NUMBER "BK-GNRAI-PEDCO-000-CV-SP-0004".
- GEOTECHNICAL REPORTS AND CLIENT'S SITE SUPERVISORY BODY RECOMMENDATIONS AND APPROVALS.
- BEFORE ANY EARTH WORK ACTIVITIES (CUT OR FILL), TOP AND UNSUITABLE SOIL (MARN...) SHALL BE REMOVED AS GEOTECHNICAL RECOMMENDATION AND SUPERVISOR'S REQUIREMENTS.

LEGEND

- Well Location: Circle with dot
- Well: Black dot
- Site: Black rectangle
- Camp Site: Red rectangle
- Asphalt Road: Solid orange line
- Gravel Road: Solid black line
- Proposed Road: Dashed red line
- Daylight: Wavy line
- Canal: Blue line with arrows
- River: Blue line with wavy edges
- Water Course: Blue line with arrows
- Contours: Brown dashed lines with elevation values
- Spot Height: Blue triangle
- Bench Mark: Blue triangle with 'BM'
- Bridge: Dashed red line with vertical bars
- Culvert: Black rectangle with vertical bars

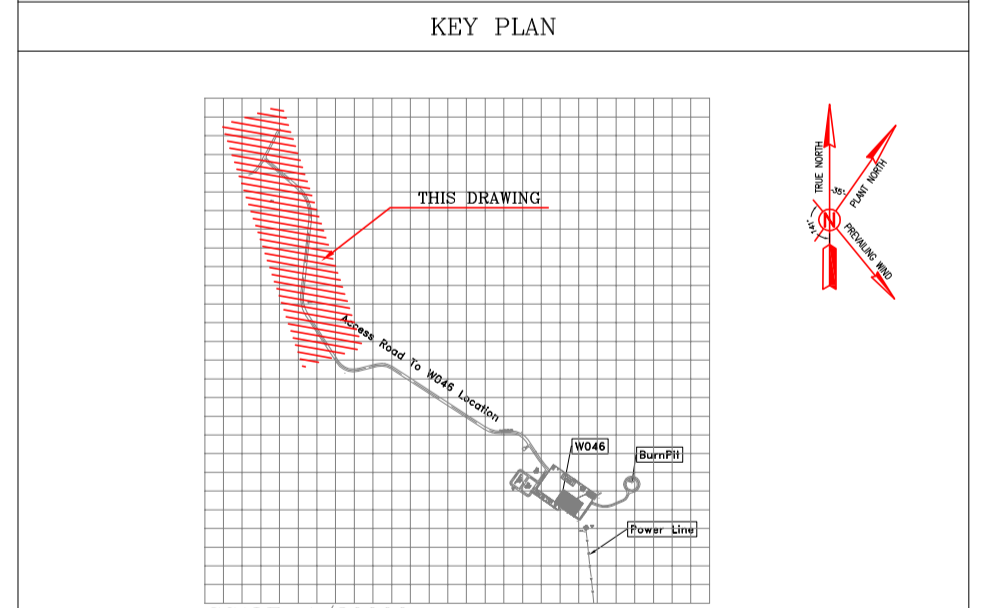


REFERENCE DRAWING

General Civil Layout - W046S	DRG. No.
Rough Grading Plans - W046S	BK-W046S-PEDCO-110-CV-PY-0001
Standard Drawing For Culvert & Details	BK-GNRAI-PEDCO-000-CV-DW-0014
Specification For Road & Paving	BK-GNRAI-PEDCO-000-CV-SP-0002
Standard Drawing For Slope Protection Details	BK-GNRAI-PEDCO-000-CV-DW-0002
Specification For Earth Work	BK-GNRAI-PEDCO-000-CV-SP-0004
Standard Pipe Support Drawings	BK-SSRGL-PEDCO-110-PI-DW-0001

ABBREVIATION

PT= POINT
PVI= POINT OF VERTICAL INTERSECTION
LVC= LENGTH OF VERTICAL CURVE
BVCS= BEGN OF VERTICAL CURVE STATION
EVCS= END OF VERTICAL CURVE STATION
EVC= END OF VERTICAL CURVE ELEVATION
PI= POINT OF INTERSECTION
PC= POINT OF CURVATURE STATION
MID= CURVE MID POINT STATION
PT= POINT OF TANGENT STATION



MAIN ACCESS ROAD PROFILE

Name	Easting(m)	Northing(m)	Elevation(m)
BM46	434828.378	3295176.513	27.976
BM47	434927.199	3294904.707	30.435
GPS3	435475.041	3294403.599	66.867
GPS1	435686.115	3294303.397	78.025

Station	Northing	Easting
0+000.00	3295288.52	434810.28
0+100.00	3295281.95	434817.82
0+200.00	3295275.38	434825.36
0+300.00	3295268.81	434832.90
0+400.00	3295262.23	434840.43
0+500.00	3295255.66	434847.97
0+600.00	3295249.09	434855.50
0+700.00	3295242.52	434863.04
0+800.00	3295235.95	434870.58
0+900.00	3295229.37	434878.11
0+1000.00	3295222.80	434885.65
0+1100.00	3295216.23	434893.19
0+1200.00	3295209.66	434900.73
0+1300.00	3295203.09	434908.26
0+1400.00	3295196.52	434915.80
0+1500.00	3295189.95	434923.34
0+1600.00	3295183.38	434930.87
0+1700.00	3295176.81	434938.41
0+1800.00	3295170.24	434945.95
0+1900.00	3295163.67	434953.48
0+2000.00	3295157.10	434961.02
0+2100.00	3295150.53	434968.56
0+2200.00	3295143.96	434976.09
0+2300.00	3295137.39	434983.63
0+2400.00	3295130.82	434991.17
0+2500.00	3295124.25	434998.70
0+2600.00	3295117.68	435006.24

PI Station	Northing	Easting
0+000.00	3295288.52	434810.28
0+164.51	3295177.74	434937.34
0+443.23	3294895.43	434907.14

REV.	DATE	P.O.I.S	PREP.	CHK.	APP.	AUT.
D04	MAY.2023	AFC	R. BERLOUEI	M.FAKHARIAN	A.M.MOHESEN	***
D03	DEC.2022	IFA	R. BERLOUEI	M.FAKHARIAN	M.MEHRSHAD	***
D02	SEP.2022	IFA	R. BERLOUEI	M.FAKHARIAN	M.MEHRSHAD	***
D01	JUL.2022	IFA	R. BERLOUEI	M.FAKHARIAN	M.MEHRSHAD	***
D00	MAY.2022	IPC	R. BERLOUEI	M.FAKHARIAN	M.MEHRSHAD	***

PROJECT NAME: BINAK OILFIELD DEVELOPMENT/SUB-SURFACE WORK PACKAGES W046S WELLHEAD FACILITIES

PROJECT NO.: 971020

EPC CONTRACTOR: HIRGAN ENERGY - DESIGN & INSPECTION COMPANIES

EPD/EPC CONTRACTOR(GC): PEDCO

DEVELOPMENT COMPANY: PETROIRAN DEVELOPMENT COMPANY

DRAWING TITLE: CIVIL AND STRUCTURAL DRAWINGS-W046S ACCESS ROAD PLAN AND PROFILE SECTION

SCALE: AS SHOWN (A1)

DATE	SCALE	DRAWING BY	CHECKED BY	PROJECT ENG.

NO CONSTRUCTION PERMITTED UNLESS DRAWING APPROVED

APPROVED FOR CONSTRUCTION	BY:	DATE:

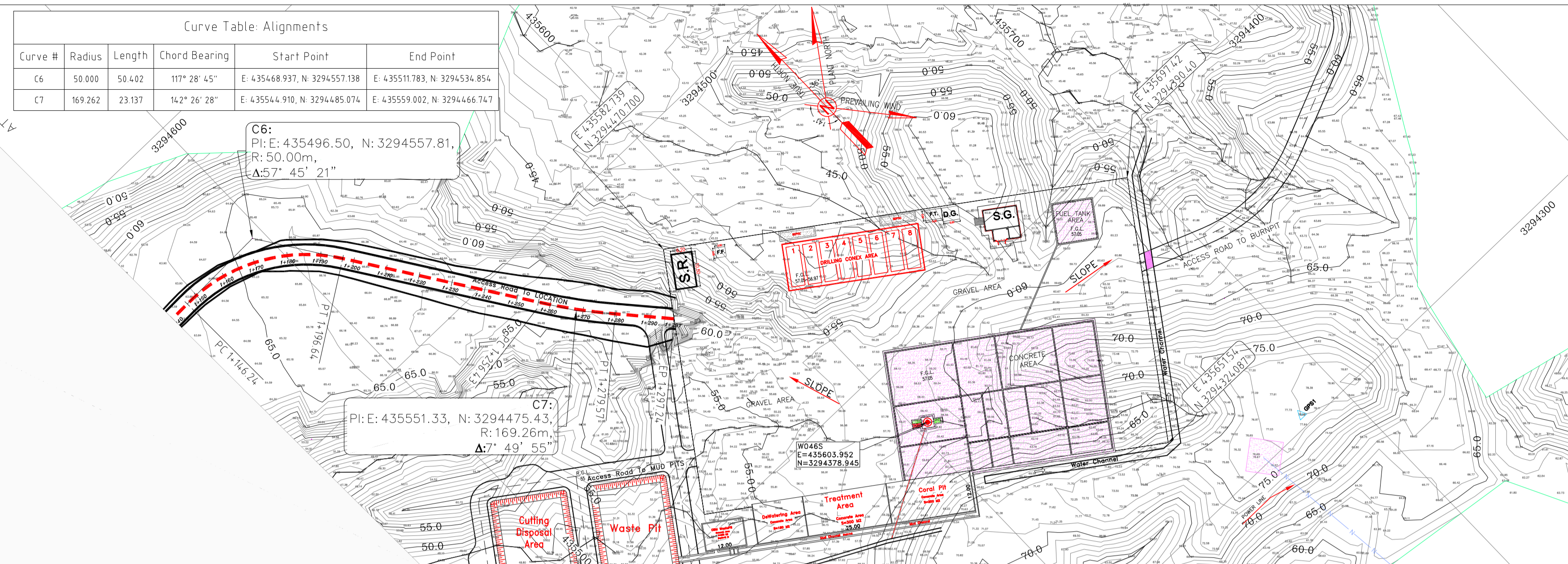
AS SHOWN	SCALE	SIZE	DRAWING NO.	SHEET NO.	REV.	BUDGET REF.	LOCATION	SIZE	CLASS	SERIAL NO.	SHEET	REVISION
AS SHOWN	A1		BK-W046S-PEDCO-110-CV-PY-0002	21 OF 46	D04	053-073-9184	F	4	S	707654	21	D04

Totally Revised

Curve #	Radius	Length	Chord Bearing	Start Point	End Point
C6	50.000	50.402	117° 28' 45"	E: 4.35468.937, N: 3294557.138	E: 4.35511.783, N: 3294536.854
C7	169.262	23.137	142° 26' 28"	E: 4.35544.910, N: 3294485.074	E: 4.35559.002, N: 3294466.747

C6:
 PI: E: 4.35496.50, N: 3294557.81,
 R: 50.00m,
 Δ: 57° 45' 21"

C7:
 PI: E: 4.35551.33, N: 3294475.43,
 R: 169.26m,
 Δ: 7° 49' 55"



- NOTES**
- ALL COORDINATES AND ELEVATIONS ARE IN METER.
 - ALL DRAWINGS SHALL BE CHECKED BY CONTRACTOR WITH RELATIVE DRAWINGS BEFORE CONSTRUCTION.
 - GEODETIC PARAMETERS FOR COORDINATES ARE AS BELOW:
 HORIZONTAL COORDINATE SYSTEM: WGS84/UTM ZONE 39
 ELLIPSOID: WORLD GEODETIC SYSTEM 1984 (WGS84)
 MAP PROJECTION: UNIVERSAL TRANSVERSE MERCATOR (UTM)
 VERTICAL DATUM: MSL
 - THE SUITABLE MATERIAL FOR FILLING SHALL BE COLLECTED BASED ON TO THE BELOW RULES:
 - PROJECT GEOTECHNICAL INVESTIGATION REPORT, BORROW MATERIALS AND SPECIFICATION STUDY PART.
 - "GENERAL SPECIFICATION FOR ROAD" NO. 101, SECTION 207, BRAN PLANNING AND BUDGET ORGANIZATION
 - PROJECT GENERAL SPECIFICATION "SPECIFICATION FOR EARTH WORK" DOCUMENT NUMBER "BK-GNRL-PEDCO-000-CV-SP-0004".
 - GEOTECHNICAL REPORTS AND CLIENT'S SITE SUPERVISORY BODY RECOMMENDATIONS AND APPROVALS.
 - BEFORE ANY EARTH WORK ACTIVITIES (CUT OR FILL), TOP AND UNSUITABLE SOIL (MARN...) SHALL BE REMOVED AS GEOTECHNICAL RECOMMENDATION AND SUPERVISOR'S REQUIREMENTS.

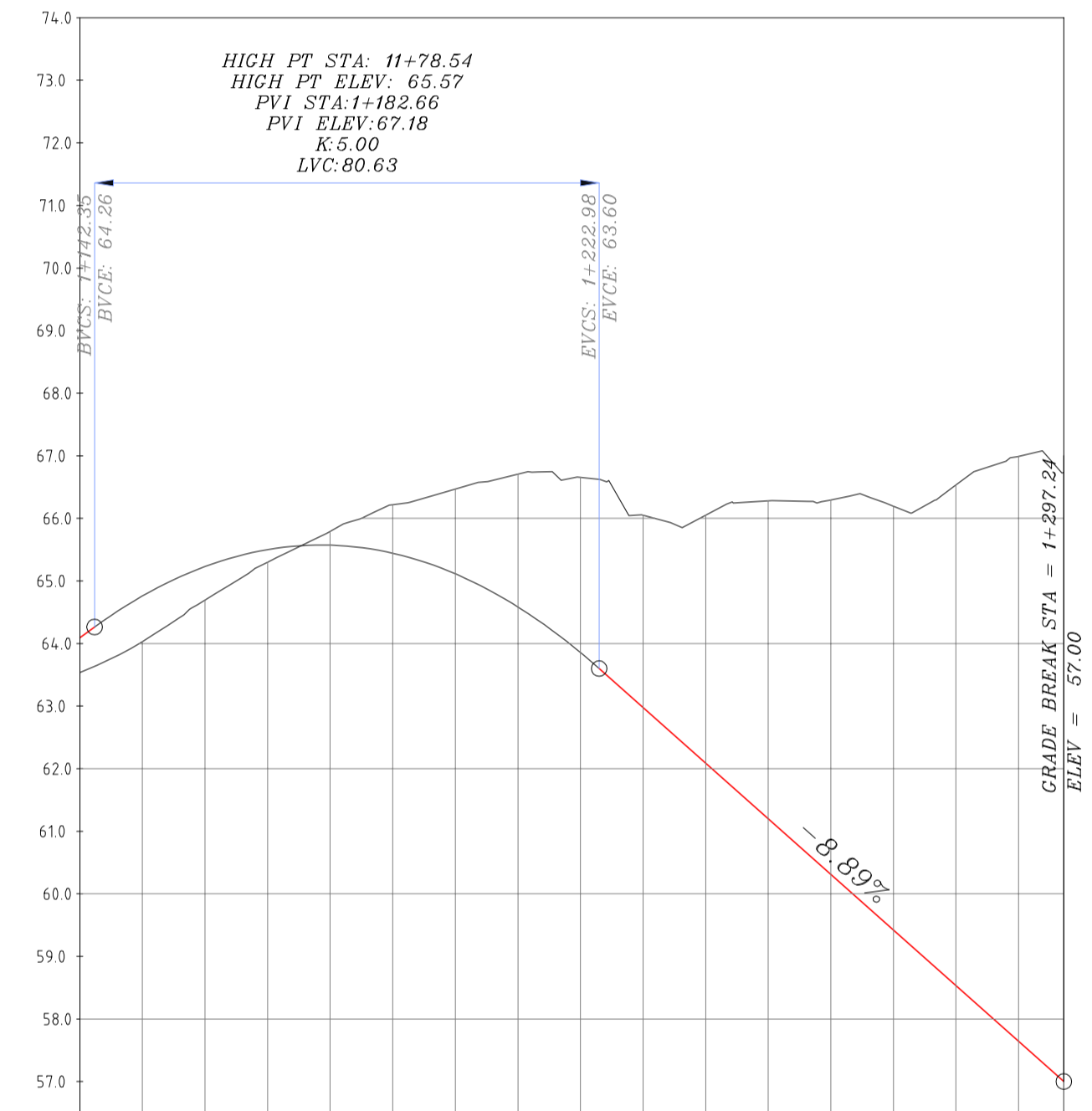
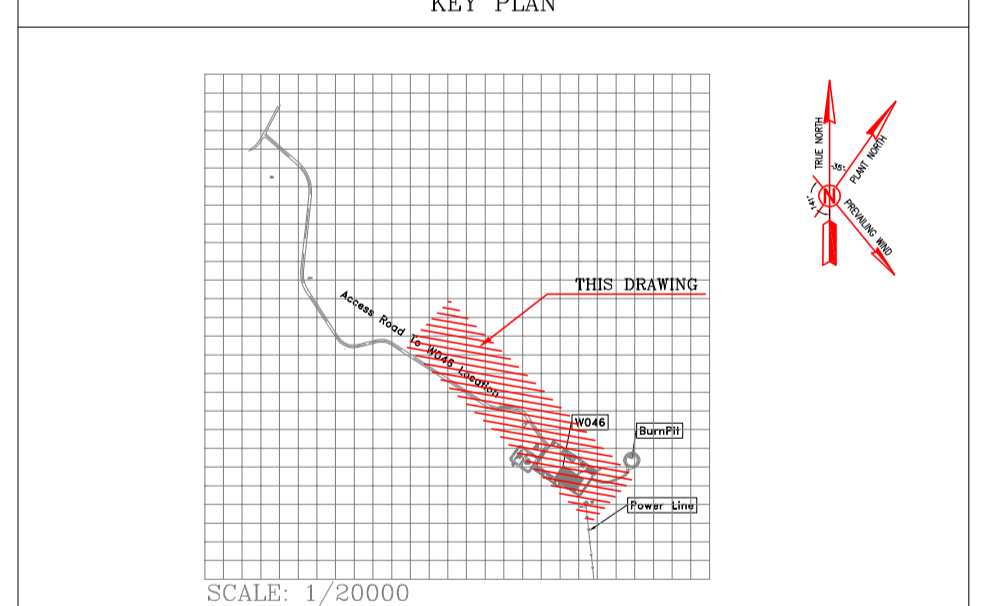
LEGEND

	WELL LOCATION		CANAL
	WELL		RIVER
	SITE		WATER COURSE
	CAMP SITE		CONTOURS
	ASPHALT ROAD		SPOT HEIGHT
	GRAVEL ROAD		BENCH MARK
	PROPOSED ROAD		BRIDGE
	DAYLIGHT		CULVERT

REFERENCE DRAWING

REFERENCE DRAWING	DRG. No.
General Civil Layout - W046S	BK-W046S-PEDCO-110-CV-PY-0001
Rough Grading Plans - W046S	BK-W046S-PEDCO-110-CV-DW-0001
Standard Drawing For Culvert & Details	BK-GNRL-PEDCO-000-CV-DW-0014
Specification For Road & Paving	BK-GNRL-PEDCO-000-CV-SP-0002
Standard Drawing For Slope Protection Details	BK-GNRL-PEDCO-000-CV-DW-0002
Specification For Earth Work	BK-GNRL-PEDCO-000-CV-SP-0004
Standard Pipe Support Drawings	BK-SSRGL-PEDCO-110-PI-DW-0001

- ABBREVIATION**
- PT= POINT
 - PVI= POINT OF VERTICAL INTERSECTION
 - LVC= LENGTH OF VERTICAL CURVE
 - EVCS= BEGIN OF VERTICAL CURVE STATION
 - BVCS= BEGIN OF VERTICAL CURVE ELEVATION
 - EVCE= END OF VERTICAL CURVE STATION
 - EVCE= END OF VERTICAL CURVE ELEVATION
 - PI= POINT OF INTERSECTION
 - PC= POINT OF CURVATURE STATION
 - MID= CURVE MID POINT STATION
 - PT= POINT OF TANGENT STATION



PROJECT ELEVATION	GROUND ELEVATION	PIQUET NUMBER	METERS	KILO & HECTOMETER KM1	METERS	CURVES
64.09	65.54	130	1166.46	150	1+146	L=26.047
64.76	64.03	131	1166.00	160	1+171	D=57°45'21" R=50.00
65.23	64.09	132	1166.00	170	Mid	L=59.794
65.50	65.30	133	1170.00	180	1+197	D=7°49'55" R=169.26
65.57	65.79	134	1180.00	190	PT	L=17.668
65.44	66.22	135	1180.00	200	1+225.6	
65.11	66.47	136	1180.00	210	Mid	
64.55	66.71	137	1200.00	220	1+280	
63.86	66.86	138	1220.00	230	PT	
62.98	66.05	139	1250.00	240	1+297	
62.09	66.05	140	1260.00	250	EP	
61.20	66.26	141	1260.00	260		
60.31	66.20	142	1260.00	270		
59.42	66.19	143	1270.00	280		
58.53	66.53	144	1280.00	290		
57.64	66.89	145	1280.00	300		
56.75	66.70	146	1280.00	310		
55.86	66.50	147	1280.00	320		

MAIN ACCESS ROAD PLAN

MAIN ACCESS ROAD PROFILE

Bench Mark List

Name	Easting(m)	Northing(m)	Elevation(m)
BM46	434828.378	3295176.513	27.976
BM47	434927.199	3294904.707	30.435
GPS3	435475.041	3294403.599	66.867
GPS1	435686.115	3294303.397	78.025

Station	Northing	Easting
1+140.00	3294556.99	435462.70
1+146.24	3294557.14	435468.94
1+150.00	3294557.09	435472.70
1+160.00	3294556.59	435487.07
1+170.00	3294552.16	435491.94
1+171.44	3294551.51	435493.23
1+180.00	3294546.93	435500.45
1+190.00	3294540.17	435507.75
1+196.64	3294534.85	435511.78
1+200.00	3294532.06	435513.65
1+210.00	3294523.73	435519.19
1+220.00	3294516.41	435524.78
1+230.00	3294507.08	435530.27
1+240.00	3294498.76	435535.81
1+250.00	3294490.43	435541.35
1+260.00	3294482.13	435546.92
1+268.00	3294475.67	435551.64
1+270.00	3294474.09	435552.87
1+279.57	3294466.75	435559.00
1+280.00	3294466.43	435559.29
1+290.00	3294458.93	435565.91
1+297.24	3294453.51	435570.70

PI Station	Northing	Easting
0+000.00	3295288.52	434810.28
0+164.51	3295177.74	434937.34
0+443.23	3294895.43	434907.14

REV.	DATE	P.O.I.S	PREP.	CHK.	APP.	AUT.
D04	MAY.2023	AFC	R. BERLOUEI	M.FAKHARIAN	A.M.MOHSSENI	***
D03	DEC.2022	IFA	R. BERLOUEI	M.FAKHARIAN	M.MEHRSHAD	***
D02	SEP.2022	IFA	R. BERLOUEI	M.FAKHARIAN	M.MEHRSHAD	***
D01	JUL.2022	IFA	R. BERLOUEI	M.FAKHARIAN	M.MEHRSHAD	***
D00	MAY.2022	IPC	R. BERLOUEI	M.FAKHARIAN	M.MEHRSHAD	***

PROJECT NAME: BINAK OILFIELD DEVELOPMENT/SUB-SURFACE WORK PACKAGES W046S WELLHEAD FACILITIES

PROJECT NO.: 971020

EPC CONTRACTOR: HIRGAN ENERGY - DESIGN & INSPECTION COMPANIES

EPD/EPC CONTRACTOR(GC): PETROIRAN DEVELOPMENT COMPANY

DRAWING TITLE: CIVIL AND STRUCTURAL DRAWINGS-W046S ACCESS ROAD PLAN AND PROFILE SECTION

THE ORIGINAL AND ALL COPIES OF THIS DRAWING TOGETHER WITH THE COPYRIGHT THEREIN ARE THE SOLE PROPERTY OF N.I.S.O.C./ FIELDS

DATE	SCALE	DRAWING BY	CHECKED BY	PROJECT ENG.

NO CONSTRUCTION PERMITTED UNLESS DRAWING APPROVED

APPROVED FOR CONSTRUCTION	BY:	DATE:

SCALE	SIZE	DRAWING NO.	SHEET NO.	REV.	BUDGET REF.	LOCATION	SIZE	CLASS	SERIAL NO.	SHEET	REVISION
AS SHOWN	A1	BK-W046S-PEDCO-110-CV-PY-0002	23 OF 46	D04	053-073-9184	F	4	S	707654	23	D04

D04
 Totally Revised



NOTES

- ALL COORDINATES AND ELEVATIONS ARE IN METER.
- ALL DRAWINGS SHALL BE CHECKED BY CONTRACTOR WITH RELATIVE DRAWINGS BEFORE CONSTRUCTION.
- GEODETIC PARAMETERS FOR COORDINATES ARE AS BELOW:
 HORIZONTAL COORDINATE SYSTEM: WGS84/UTM ZONE 39
 ELLIPSOID: WORLD GEODETIC SYSTEM 1984 (WGS84)
 MAP PROJECTION: UNIVERSAL TRANSVERSE MERCATOR (UTM)
 VERTICAL DATUM: MSL
- THE SUITABLE MATERIAL FOR FILLING SHALL BE COLLECTED BASED ON TO THE BELOW RULES:
 - PROJECT GEOTECHNICAL INVESTIGATION REPORT, BORROW MATERIALS AND SPECIFICATION STUDY PART.
 - "GENERAL SPECIFICATION FOR ROAD" NO. 101, SECTION 207,
 - "BRAN PLANNING AND BUDGET ORGANIZATION"
 - PROJECT GENERAL SPECIFICATION "SPECIFICATION FOR EARTH WORK" DOCUMENT NUMBER "BK-GNRL-PEDCO-000-CV-SP-0004".
 - GEOTECHNICAL REPORTS AND CLIENT'S SITE SUPERVISORY BODY RECOMMENDATIONS AND APPROVALS.
- BEFORE ANY EARTH WORK ACTIVITIES (CUT OR FILL), TOP AND UNSUITABLE SOIL (MARN...) SHALL BE REMOVED AS GEOTECHNICAL RECOMMENDATION AND SUPERVISOR'S REQUIREMENTS.

LEGEND

- WELL LOCATION
- WELL
- SITE
- CAMP SITE
- ASPHALT ROAD
- GRAVEL ROAD
- PROPOSED ROAD
- DAYLIGHT
- CANAL
- RIVER
- WATER COURSE
- CONTOURS
- SPOT HEIGHT
- BENCH MARK
- BRIDGE
- CULVERT

REFERENCE DRAWING	DRG. No.
General Civil Layout - W046S	BK-W046S-PEDCO-110-CV-PY-0001
Rough Grading Plans - W046S	BK-W046S-PEDCO-110-CV-DW-0001
Standard Drawing For Culvert & Details	BK-GNRL-PEDCO-000-CV-DW-0014
Specification For Road & Paving	BK-GNRL-PEDCO-000-CV-SP-0002
Standard Drawing For Slope Protection Details	BK-GNRL-PEDCO-000-CV-DW-0002
Specification For Earth Work	BK-GNRL-PEDCO-000-CV-SP-0004
Standard Pipe Support Drawings	BK-SGRSL-PEDCO-110-PI-DW-0001

ABBREVIATION

PT= POINT
 PVI= POINT OF VERTICAL INTERSECTION
 LVC= LENGTH OF VERTICAL CURVE
 EVCS= BEGIN OF VERTICAL CURVE STATION
 BVCE= BEGIN OF VERTICAL CURVE ELEVATION
 EVCS= END OF VERTICAL CURVE STATION
 EVCE= END OF VERTICAL CURVE ELEVATION

KEY PLAN

SCALE: 1/20000

1:200 Wellpad Access Road Transversal Sections

Bench Mark List

Name	Easting(m)	Northing(m)	Elevation(m)
BM46	434828.378	3295176.513	27.976
BM47	434927.199	3294904.707	30.435
GPS3	435475.041	3294403.599	66.867
GPS1	435686.115	3294303.397	78.025

REV.	DATE	DESCRIPTION	BY	DATE	BY	DATE
D04	MAY.2023	APC	R. BERLOUEI	M.PAKHARIAN	A.M.MOHSSENI	***
D03	DEC.2022	IFA	R. BERLOUEI	M.PAKHARIAN	M.MEHRSHAD	***
D02	SEP.2022	IFA	R. BERLOUEI	M.PAKHARIAN	M.MEHRSHAD	***
D01	JUL.2022	IFA	R. BERLOUEI	M.PAKHARIAN	M.MEHRSHAD	***
D00	MAY.2022	IFC	R. BERLOUEI	M.PAKHARIAN	M.MEHRSHAD	***
REV.	DATE	P.O.I.S	PREP.	CHK.	APP.	AUT.

AS SHOWN	SCALE	SIZE	DRAWING NO.	SHEET NO.	REV.	BUDGET REF.	LOCATION	SIZE	CLASS	SERIAL NO.	SHEET	REVISION
AI	BK-W046S-PEDCO-110-CV-PY-0002	24	OF 46	D04	053-073-9184	F	4	S	707654	24	D04	

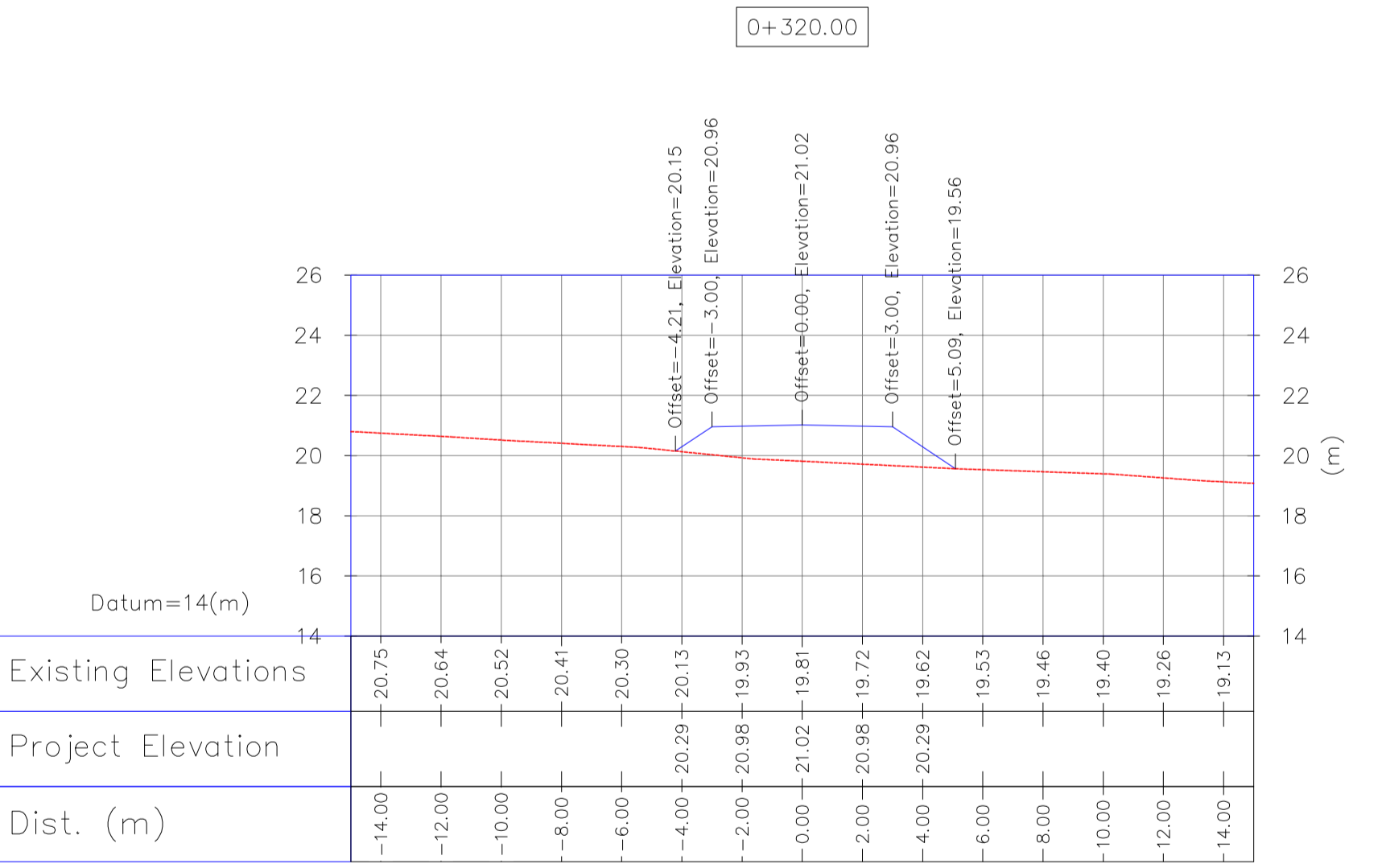
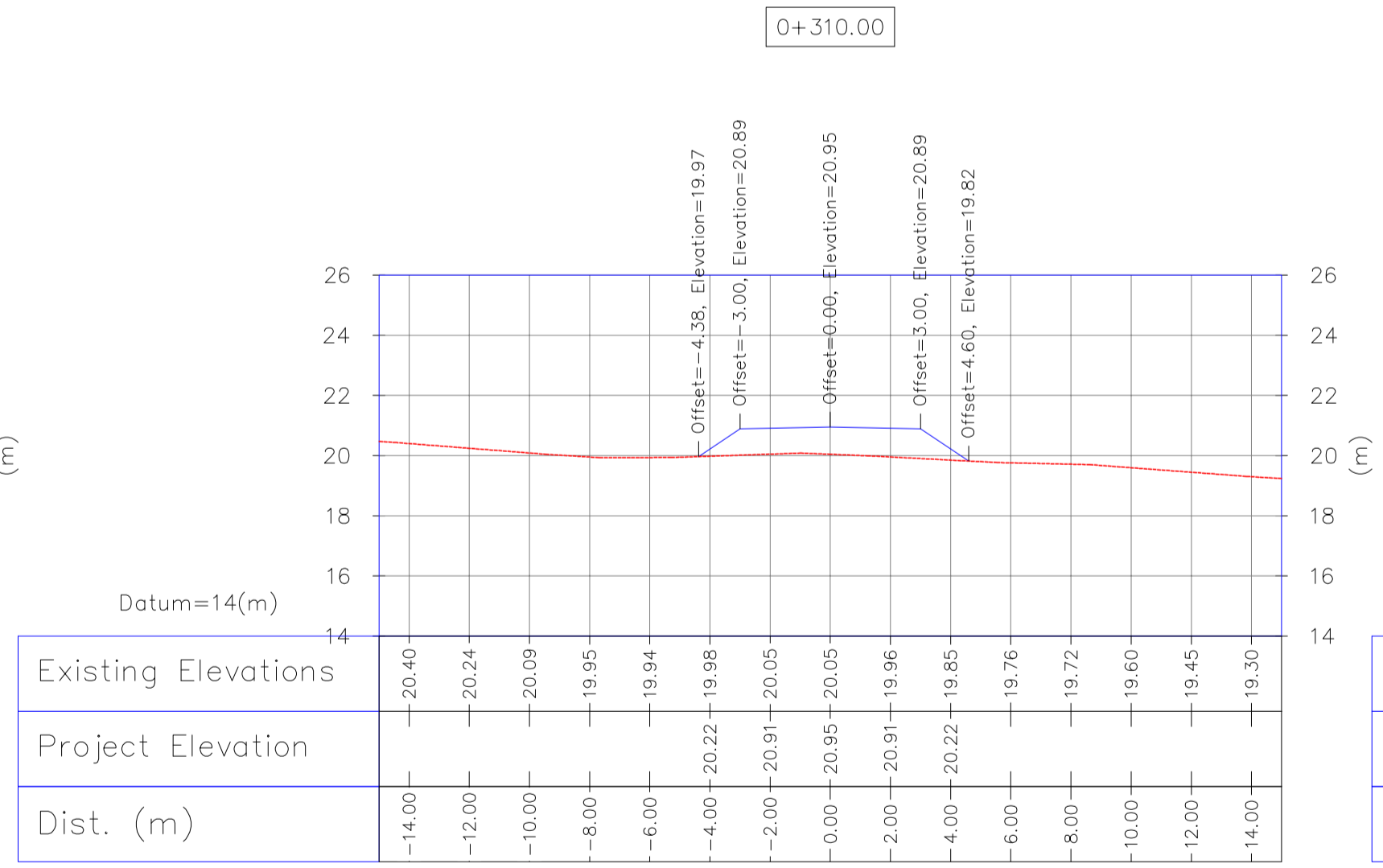
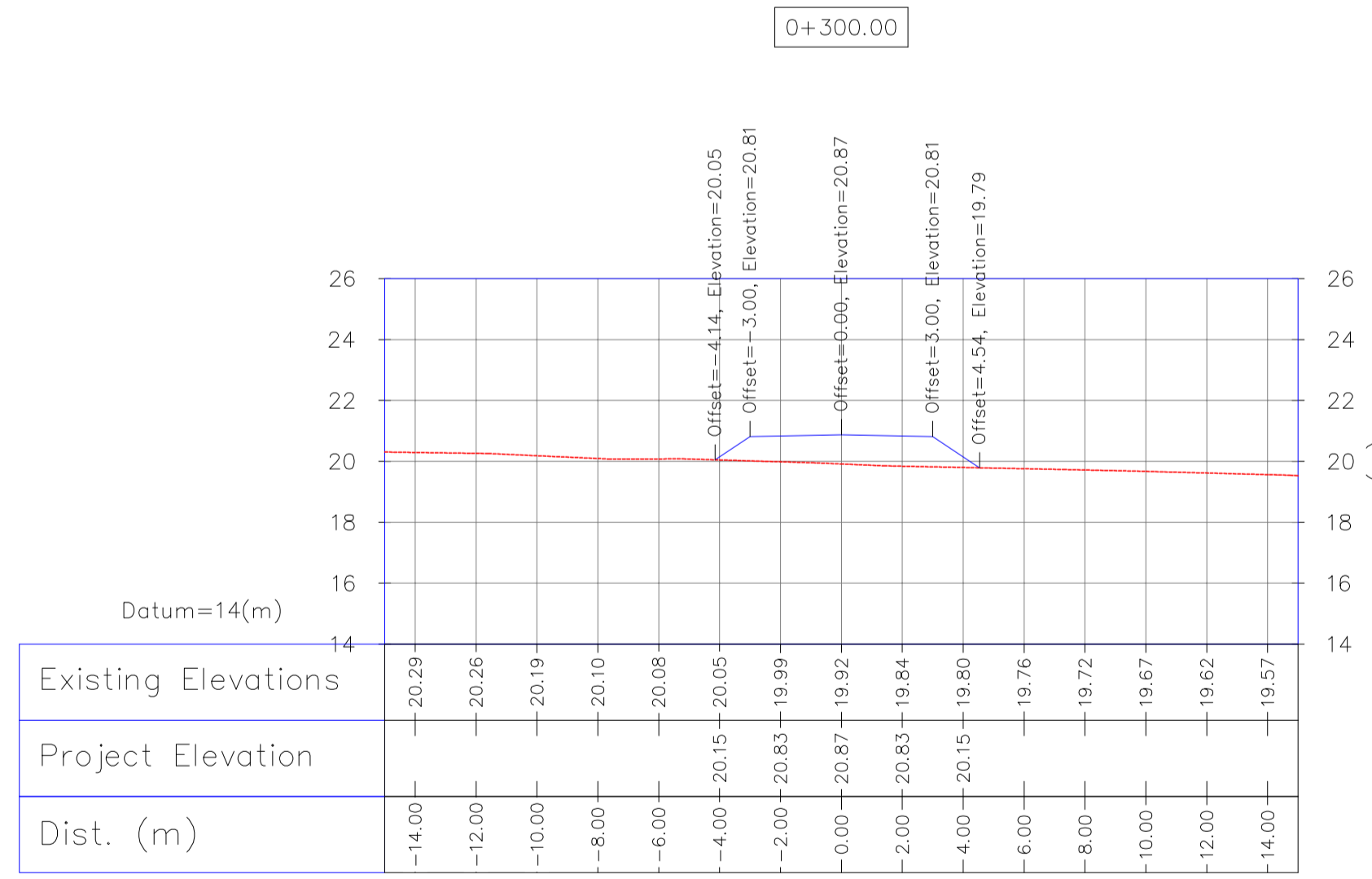
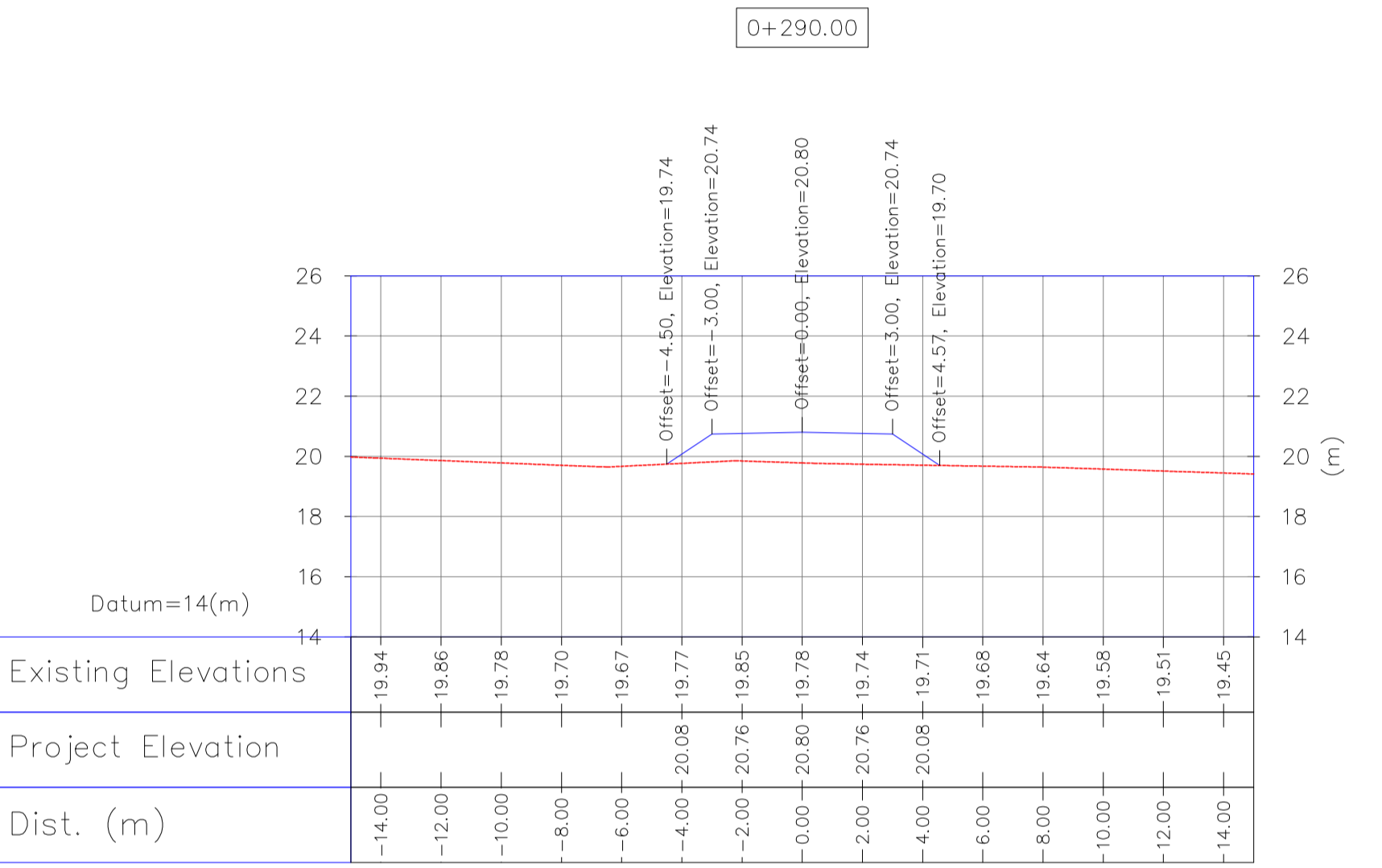
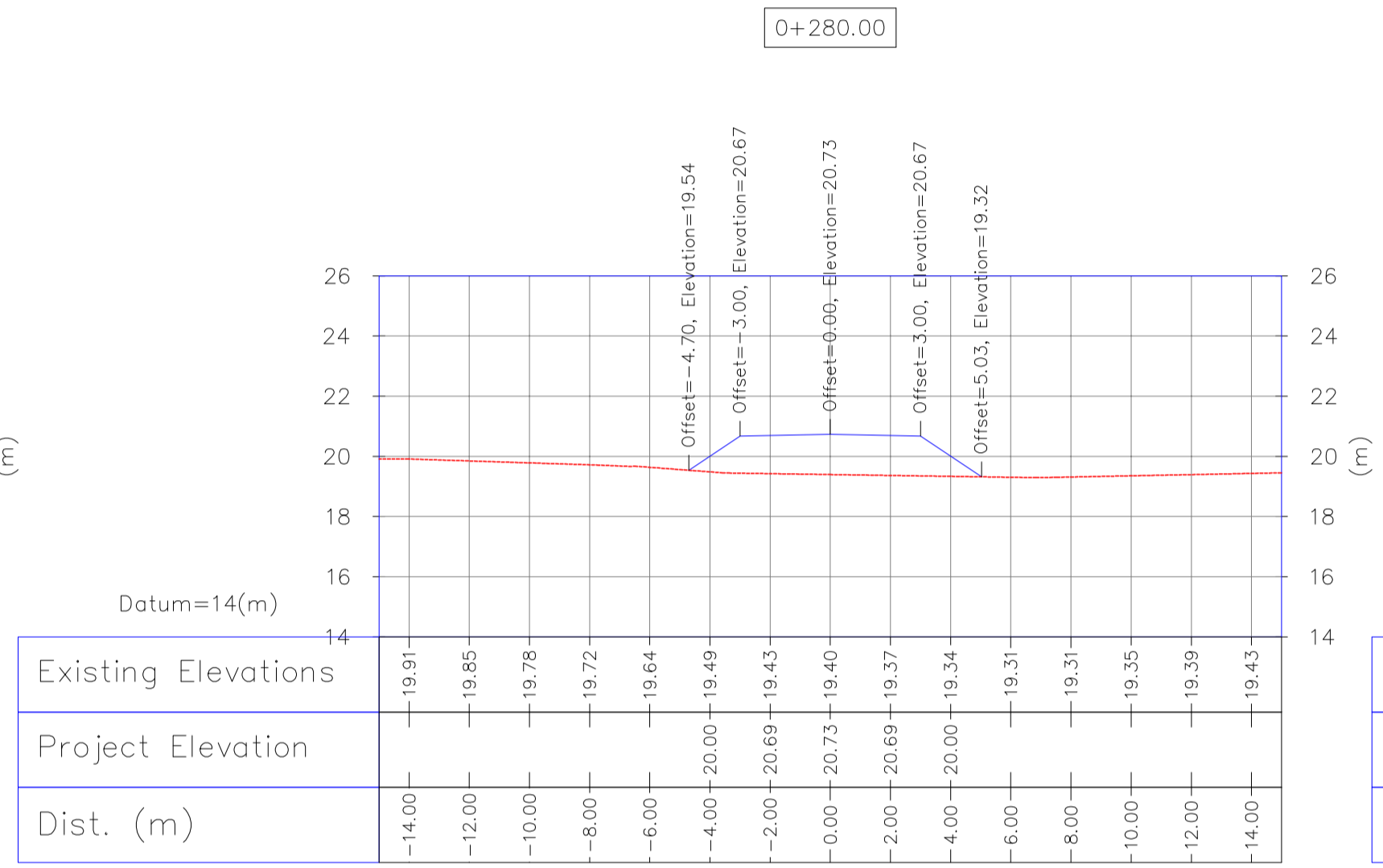
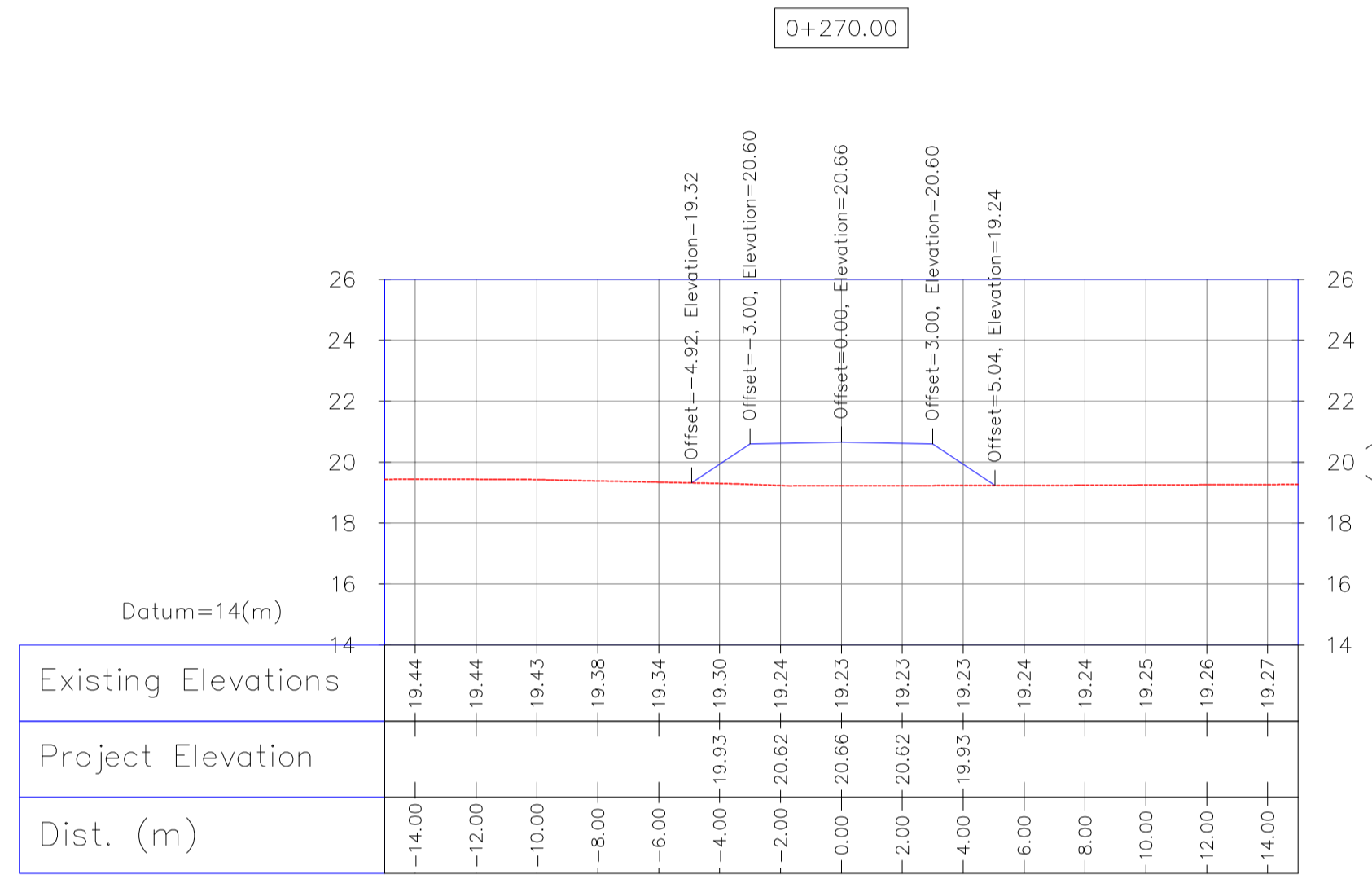
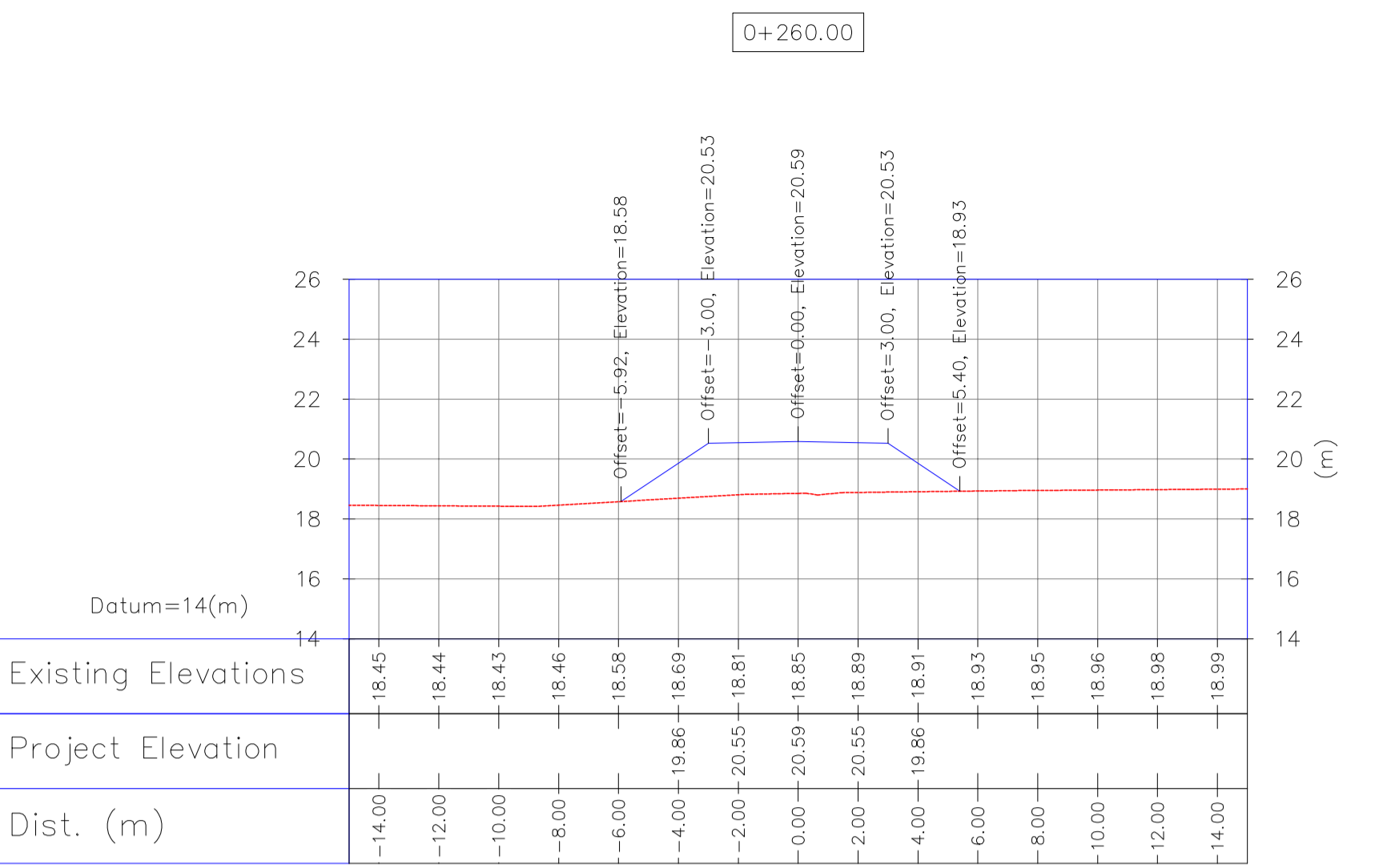
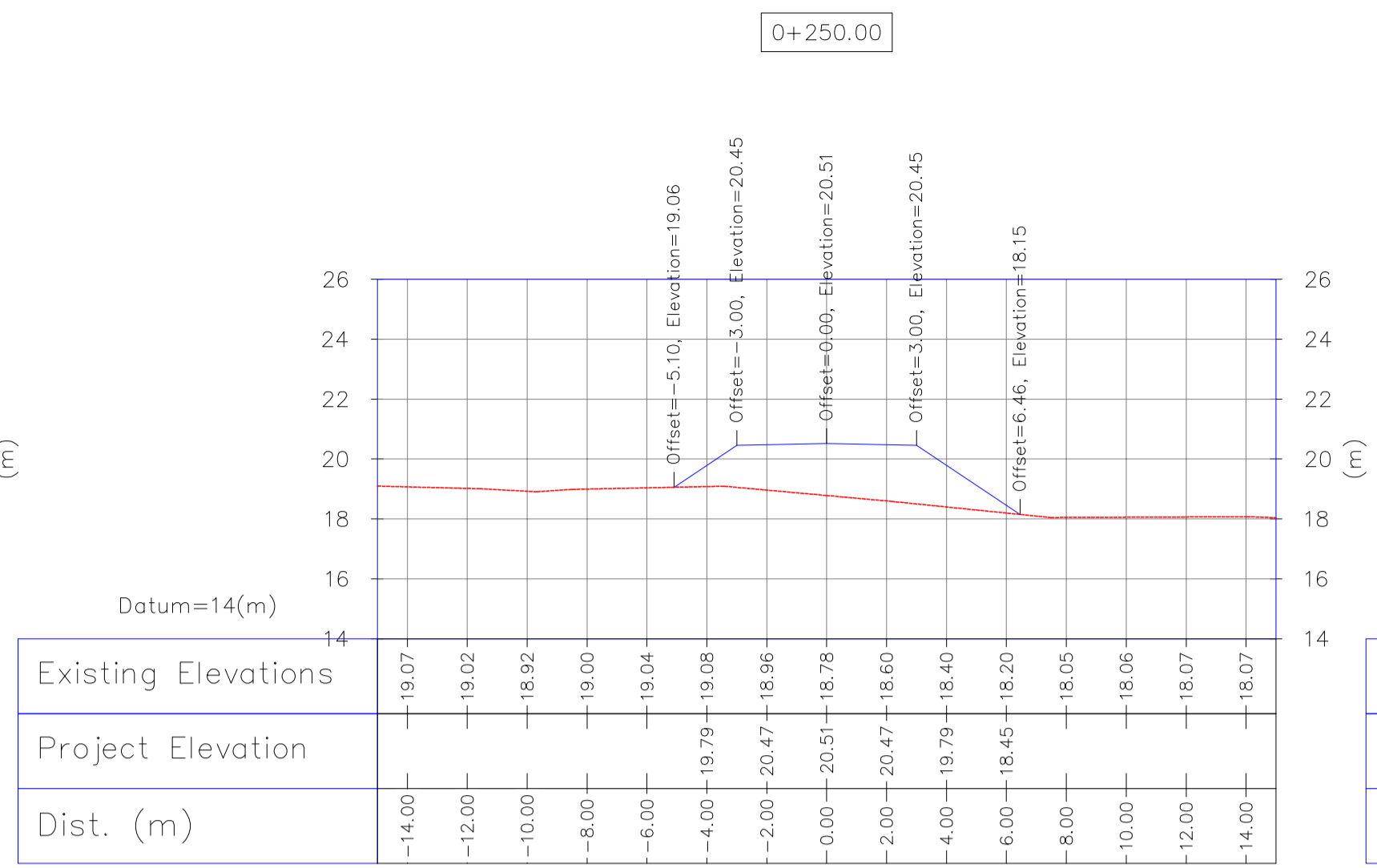
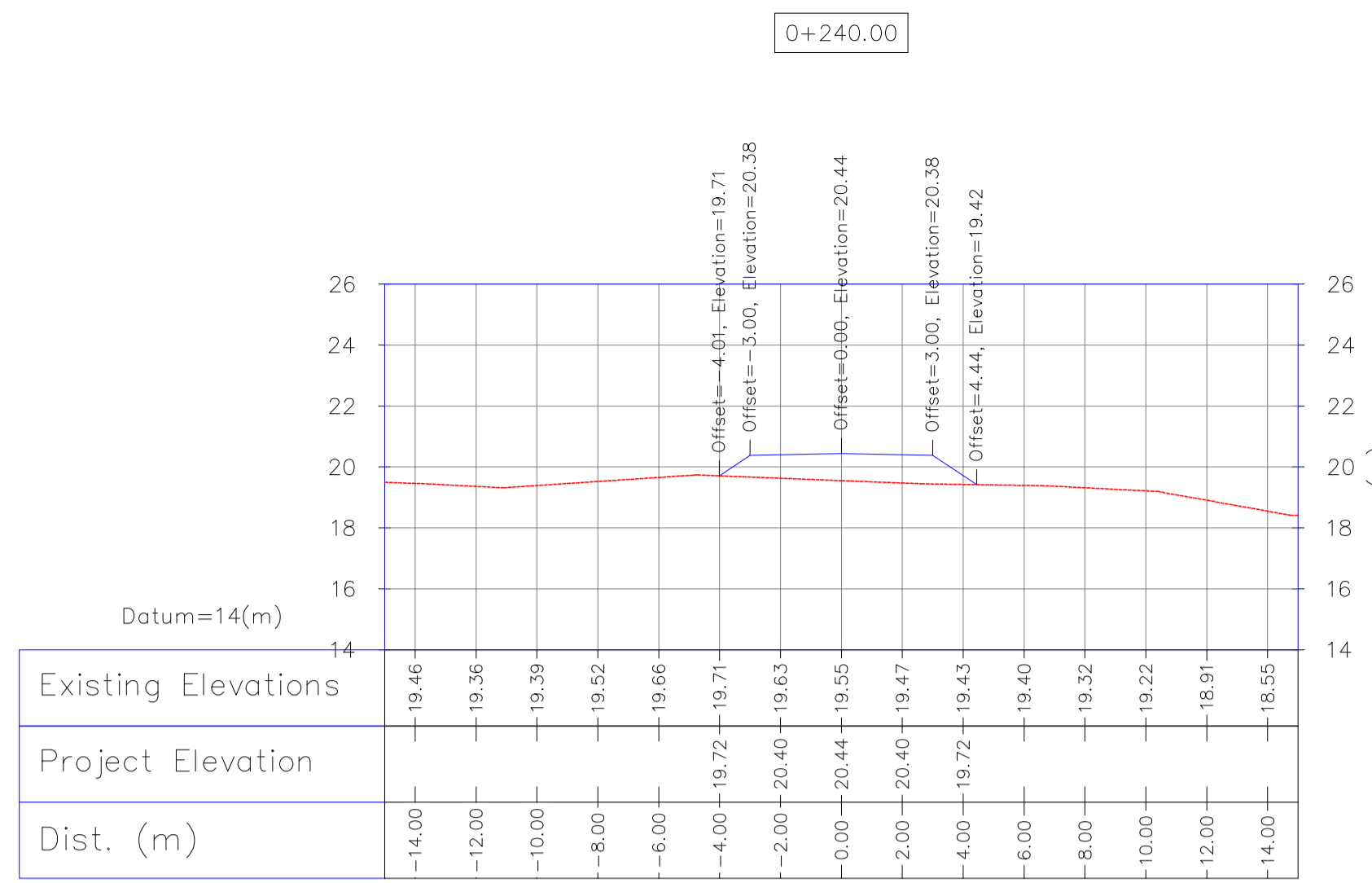
Totally Revised

THE ORIGINAL AND ALL COPIES OF THIS DRAWING TOGETHER WITH THE COPYRIGHT THEREIN ARE THE SOLE PROPERTY OF N.I.S.O.C./ FIELDS

BINAK OILFIELD DEVELOPMENT SUB-SURFACE WORK PACKAGES W046S WELLHEAD FACILITIES

NO CONSTRUCTION PERMITTED UNLESS DRAWING APPROVED

APPROVED FOR CONSTRUCTION BY: DATE:



1:200 Wellpad Access Road Transversal Sections

NOTES

- ALL COORDINATES AND ELEVATIONS ARE IN METER.
- ALL DRAWINGS SHALL BE CHECKED BY CONTRACTOR WITH RELATIVE DRAWINGS BEFORE CONSTRUCTION.
- GEODETIC PARAMETERS FOR COORDINATES ARE AS BELOW:
HORIZONTAL COORDINATE SYSTEM: WGS84/UTM ZONE 39
ELLIPSOID: WORLD GEODETIC SYSTEM 1984 (WGS84)
MAP PROJECTION: UNIVERSAL TRANSVERSE MERCATOR (UTM)
VERTICAL DATUM: MSL.
- THE SUITABLE MATERIAL FOR FILLING SHALL BE COLLECTED BASED ON THE BELOW RULES:
- PROJECT GEOTECHNICAL INVESTIGATION REPORT, BORROW MATERIALS AND SPECIFICATION STUDY PART.
- "GENERAL SPECIFICATION FOR ROAD" NO. 101, SECTION 207, ROAD PLANNING AND BUDGET ORGANIZATION.
- PROJECT GENERAL SPECIFICATION "SPECIFICATION FOR EARTH WORK" DOCUMENT NUMBER "BK-GNRL-PEDCO-000-CV-SP-0004".
- GEOTECHNICAL REPORTS AND CLIENT'S SITE SUPERVISORY BODY RECOMMENDATIONS AND APPROVALS.
- BEFORE ANY EARTH WORK ACTIVITIES (CUT OR FILL), TOP AND UNSUITABLE SOIL (MARN...) SHALL BE REMOVED AS GEOTECHNICAL RECOMMENDATION AND SUPERVISOR'S REQUIREMENTS.

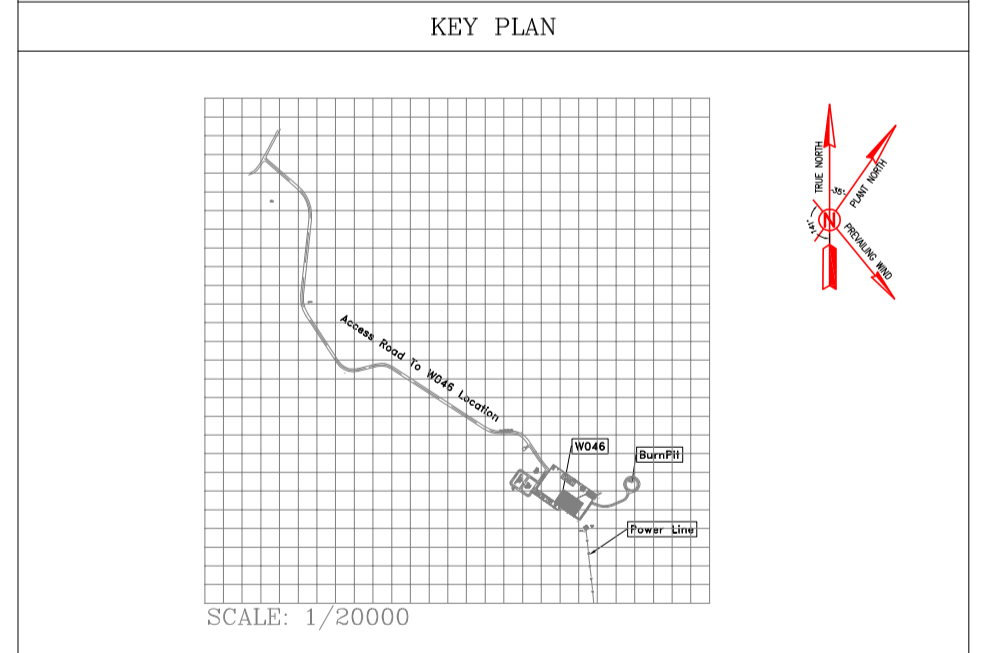
LEGEND

	WELL LOCATION		CANAL
	WELL		RIVER
	SITE		WATER COURSE
	CAMP SITE		CONTOURS
	ASPHALT ROAD		SPOT HEIGHT
	GRAVEL ROAD		BENCH MARK
	PROPOSED ROAD		BRIDGE
	DAYLIGHT		CULVERT

REFERENCE DRAWING	DRG. No.
General Civil Layout - W046S	BK-W046S-PEDCO-110-CV-PY-0001
Rough Grading Plans - W046S	BK-W046S-PEDCO-110-CV-DW-0001
Standard Drawing For Culvert & Details	BK-GNRL-PEDCO-000-CV-DW-0014
Specification For Road & Paving	BK-GNRL-PEDCO-000-CV-SP-0002
Standard Drawing For Slope Protection Details	BK-GNRL-PEDCO-000-CV-DW-0002
Specification For Earth Work	BK-GNRL-PEDCO-000-CV-SP-0004
Standard Pipe Support Drawings	BK-SSRGL-PEDCO-110-PI-DW-0001

ABBREVIATION

PT= POINT
 PVI= POINT OF VERTICAL INTERSECTION
 LVC= LENGTH OF VERTICAL CURVE
 BVCS= BEGIN OF VERTICAL CURVE STATION
 BVCE= BEGIN OF VERTICAL CURVE ELEVATION
 EVCS= END OF VERTICAL CURVE STATION
 EVCE= END OF VERTICAL CURVE ELEVATION



REV.	DATE	DESCRIPTION	BY	DATE	BY	DATE
D04	MAY.2023	AFC	R. BERLOUEI	M.PAKHARIAN	A.M.MOHSSENI	***
D03	DEC.2022	IFA	R. BERLOUEI	M.PAKHARIAN	M.MEHRSHAD	***
D02	SEP.2022	IFA	R. BERLOUEI	M.PAKHARIAN	M.MEHRSHAD	***
D01	JUL.2022	IFA	R. BERLOUEI	M.PAKHARIAN	M.MEHRSHAD	***
D00	MAY.2022	IPC	R. BERLOUEI	M.PAKHARIAN	M.MEHRSHAD	***
REV.	DATE	P.O.I.S	PREP.	CHK.	APP.	AUT.

PROJECT NAME: BINAK OILFIELD DEVELOPMENT/SUB-SURFACE WORK PACKAGES W046S WELLHEAD FACILITIES

PROJECT NO.: 971020

EPC CONTRACTOR: HIRGAN ENERGY - DESIGN & INSPECTION COMPANIES

EPD/EPC CONTRACTOR(GC): PETROIRAN DEVELOPMENT COMPANY

DRAWING TITLE: CIVIL AND STRUCTURAL DRAWINGS-W046S ACCESS ROAD TRANSVERSAL SECTIONS KM 240 ~320(m)

SCALE: AS SHOWN

DRAWING NO. BK-W046S-PEDCO-110-CV-PY-0002

SHEET NO. 27 OF 46

REV. D04

BUDGET REF. LOCATION SIZE CLASS SERIAL NO. SHEET REVISION

053-073-9184 F 4 S 707654 27 D04

Bench Mark List

Name	Easting(m)	Northing(m)	Elevation(m)
BM46	434828.378	3295176.513	27.976
BM47	434927.199	3294904.707	30.435
GPS3	435475.041	3294403.599	66.867
GPS1	435686.115	3294303.397	78.025

اسم و کلیه نسخ این نقشه و حق امتیاز متعلق به شرکت ملی مناطق نفت خیز جنوب میباشد.

THE ORIGINAL AND ALL COPIES OF THIS DRAWING TOGETHER WITH THE COPYRIGHT THEREIN ARE THE SOLE PROPERTY OF N.I.S.O.C./ FIELDS

BINAK OILFIELD DEVELOPMENT SUB-SURFACE WORK PACKAGES W046S WELLHEAD FACILITIES

NO CONSTRUCTION PERMITTED UNLESS DRAWING APPROVED

APPROVED FOR CONSTRUCTION BY: DATE:

Totally Revised



1:200 Wellpad Access Road Transversal Sections

NOTES

- 1- ALL COORDINATES AND ELEVATIONS ARE IN METER.
- 2- ALL DRAWINGS SHALL BE CHECKED BY CONTRACTOR WITH RELATIVE DRAWINGS BEFORE CONSTRUCTION.
- 3- GEODETIC PARAMETERS FOR COORDINATES ARE AS BELOW:
 HORIZONTAL COORDINATE SYSTEM: WGS84/UTM ZONE 39
 ELLIPSOID: WORLD GEODETIC SYSTEM 1984 (WGS84)
 MAP PROJECTION: UNIVERSAL TRANSVERSE MERCATOR (UTM)
 VERTICAL DATUM: MSL.
- 4- THE SUITABLE MATERIAL FOR FILLING SHALL BE COLLECTED BASED ON TO THE BELOW RULES:
 - PROJECT GEOTECHNICAL INVESTIGATION REPORT, BORROW MATERIALS AND SPECIFICATION STUDY PART.
 - GENERAL SPECIFICATION FOR ROAD NO. 101, SECTION 207, BRAN PLANNING AND BUDGET ORGANIZATION.
 - PROJECT GENERAL SPECIFICATION "SPECIFICATION FOR EARTH WORK" DOCUMENT NUMBER "BK-GNRL-PEDCO-000-CV-SP-0004".
 - GEOTECHNICAL REPORTS AND CLIENT'S SITE SUPERVISORY BODY RECOMMENDATIONS AND APPROVALS.
- 5- BEFORE ANY EARTH WORK ACTIVITIES (CUT OR FILL), TOP AND UNSUITABLE SOIL (MARN...) SHALL BE REMOVED AS GEOTECHNICAL RECOMMENDATION AND SUPERVISOR'S REQUIREMENTS.

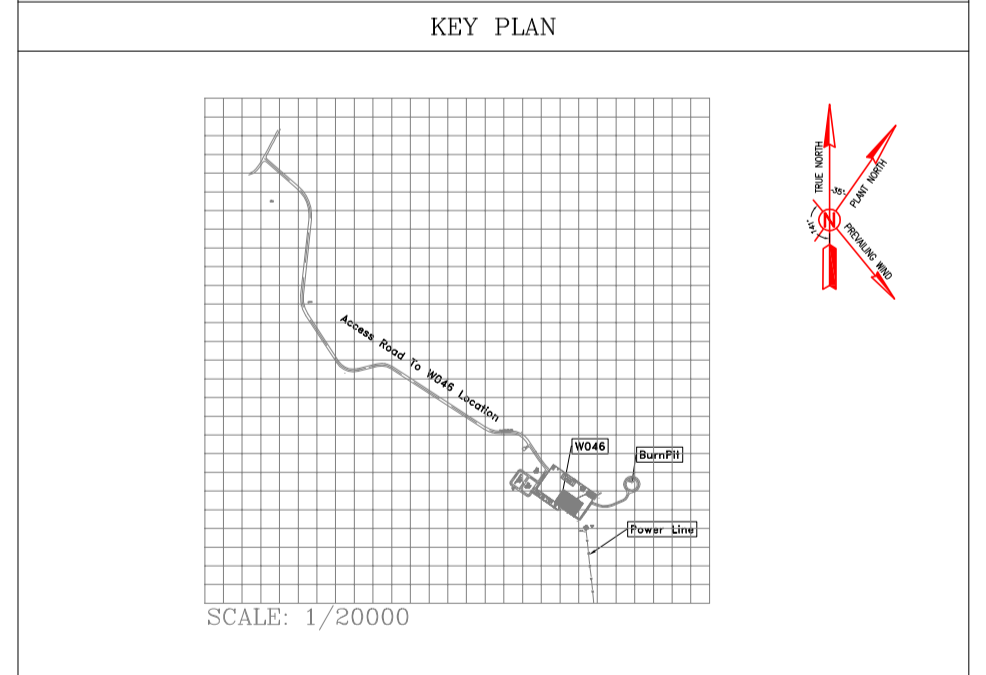
LEGEND

- WELL LOCATION
- WELL
- SITE
- CAMP SITE
- ASPHALT ROAD
- GRAVEL ROAD
- PROPOSED ROAD
- DAYLIGHT
- CANAL
- RIVER
- WATER COURSE
- CONTOURS
- SPOT HEIGHT
- BENCH MARK
- BRIDGE
- CULVERT

REFERENCE DRAWING	DRG. No.
General Civil Layout - W046S	BK-W046S-PEDCO-110-CV-PY-0001
Rough Grading Plans - W046S	BK-W046S-PEDCO-110-CV-DW-0001
Standard Drawing For Culvert & Details	BK-GNRL-PEDCO-000-CV-DW-0014
Specification For Road & Paving	BK-GNRL-PEDCO-000-CV-SP-0002
Standard Drawing For Slope Protection Details	BK-GNRL-PEDCO-000-CV-DW-0002
Specification For Earth Work	BK-GNRL-PEDCO-000-CV-SP-0004
Standard Pipe Support Drawings	BK-SRGL-PEDCO-110-PI-DW-0001

ABBREVIATION

PT= POINT
 PVI= POINT OF VERTICAL INTERSECTION
 LVC= LENGTH OF VERTICAL CURVE
 BVCS= BEGIN OF VERTICAL CURVE STATION
 BVCE= BEGIN OF VERTICAL CURVE ELEVATION
 EVCS= END OF VERTICAL CURVE STATION
 EVCE= END OF VERTICAL CURVE ELEVATION



REV.	DATE	DESCRIPTION	BY	DATE	BY	DATE
D04	MAY.2023	AFC	R. BERLOUEI	M.PAKHARIAN	A.M.MOHSSENI	***
D03	DEC.2022	IFA	R. BERLOUEI	M.PAKHARIAN	M.MEHRSHAD	***
D02	SEP.2022	IFA	R. BERLOUEI	M.PAKHARIAN	M.MEHRSHAD	***
D01	JUL.2022	IFA	R. BERLOUEI	M.PAKHARIAN	M.MEHRSHAD	***
D00	MAY.2022	IPC	R. BERLOUEI	M.PAKHARIAN	M.MEHRSHAD	***
REV.	DATE	P.O.I.S	PREP.	CHK.	APP.	AUT.

PROJECT NAME: BINAK OILFIELD DEVELOPMENT/SUB-SURFACE WORK PACKAGES W046S WELLHEAD FACILITIES

PROJECT NO.: 971020

EPC CONTRACTOR: HIRGAN ENERGY

EPD/EPC CONTRACTOR(GC): PETROIRAN DEVELOPMENT COMPANY

DRAWING TITLE: CIVIL AND STRUCTURAL DRAWINGS-W046S ACCESS ROAD TRANSVERSAL SECTIONS KM 330 ~410(m)

SCALE: AS SHOWN

DRAWING NO.: BK-W046S-PEDCO-110-CV-PY-0002

SHEET NO.: 28 OF 46

REV.: D04

BUDGET REF.: 053-073-9184

LOCATION: F

SIZE: 4

CLASS: S

SERIAL NO.: 707654

SHEET: 28

REVISION: D04

Bench Mark List

Name	Easting(m)	Northing(m)	Elevation(m)
BM46	434828.378	3295176.513	27.976
BM47	434927.199	3294904.707	30.435
GPS3	435475.041	3294403.599	66.867
GPS1	435686.115	3294303.397	78.025

Totally Revised

1- ALL COORDINATES AND ELEVATIONS ARE IN METER.

2- ALL DRAWINGS SHALL BE CHECKED BY CONTRACTOR WITH RELATIVE DRAWINGS BEFORE CONSTRUCTION.

3- GEODETIC PARAMETERS FOR COORDINATES ARE AS BELOW:
 HORIZONTAL COORDINATE SYSTEM: WGS84/UTM ZONE 39
 ELLIPSOID: WORLD GEODETIC SYSTEM 1984 (WGS84)
 MAP PROJECTION: UNIVERSAL TRANSVERSE MERCATOR (UTM)
 VERTICAL DATUM: MSL.

4- THE SUITABLE MATERIAL FOR FILLING SHALL BE COLLECTED BASED ON TO THE BELOW RULES:
 - PROJECT GEOTECHNICAL INVESTIGATION REPORT, BORROW MATERIALS AND SPECIFICATION STUDY PART.
 - GENERAL SPECIFICATION FOR ROAD NO. 101, SECTION 207, BRAN PLANNING AND BUDGET ORGANIZATION.
 - PROJECT GENERAL SPECIFICATION "SPECIFICATION FOR EARTH WORK" DOCUMENT NUMBER "BK-GNRL-PEDCO-000-CV-SP-0004".
 - GEOTECHNICAL REPORTS AND CLIENT'S SITE SUPERVISORY BODY RECOMMENDATIONS AND APPROVALS.

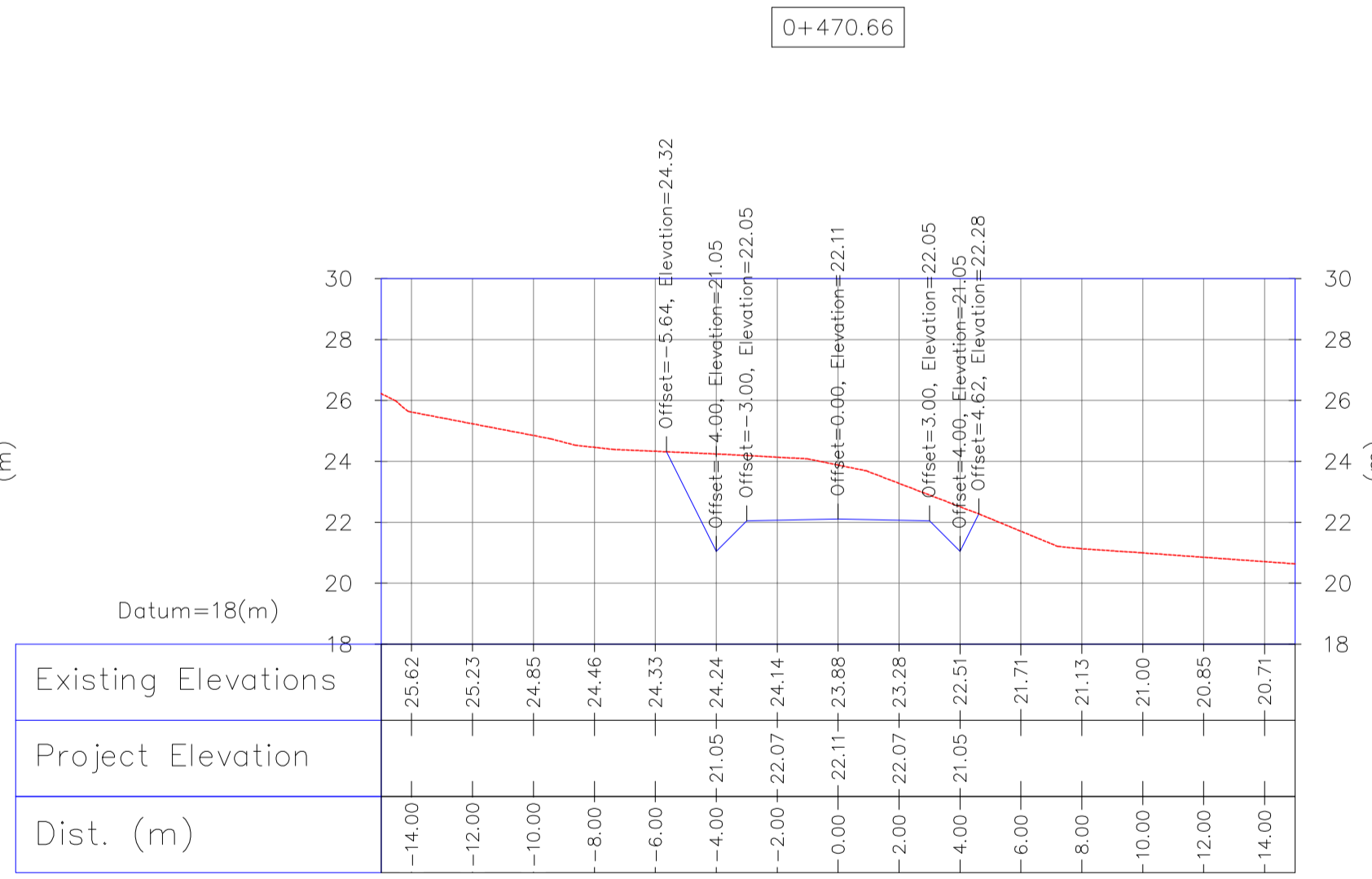
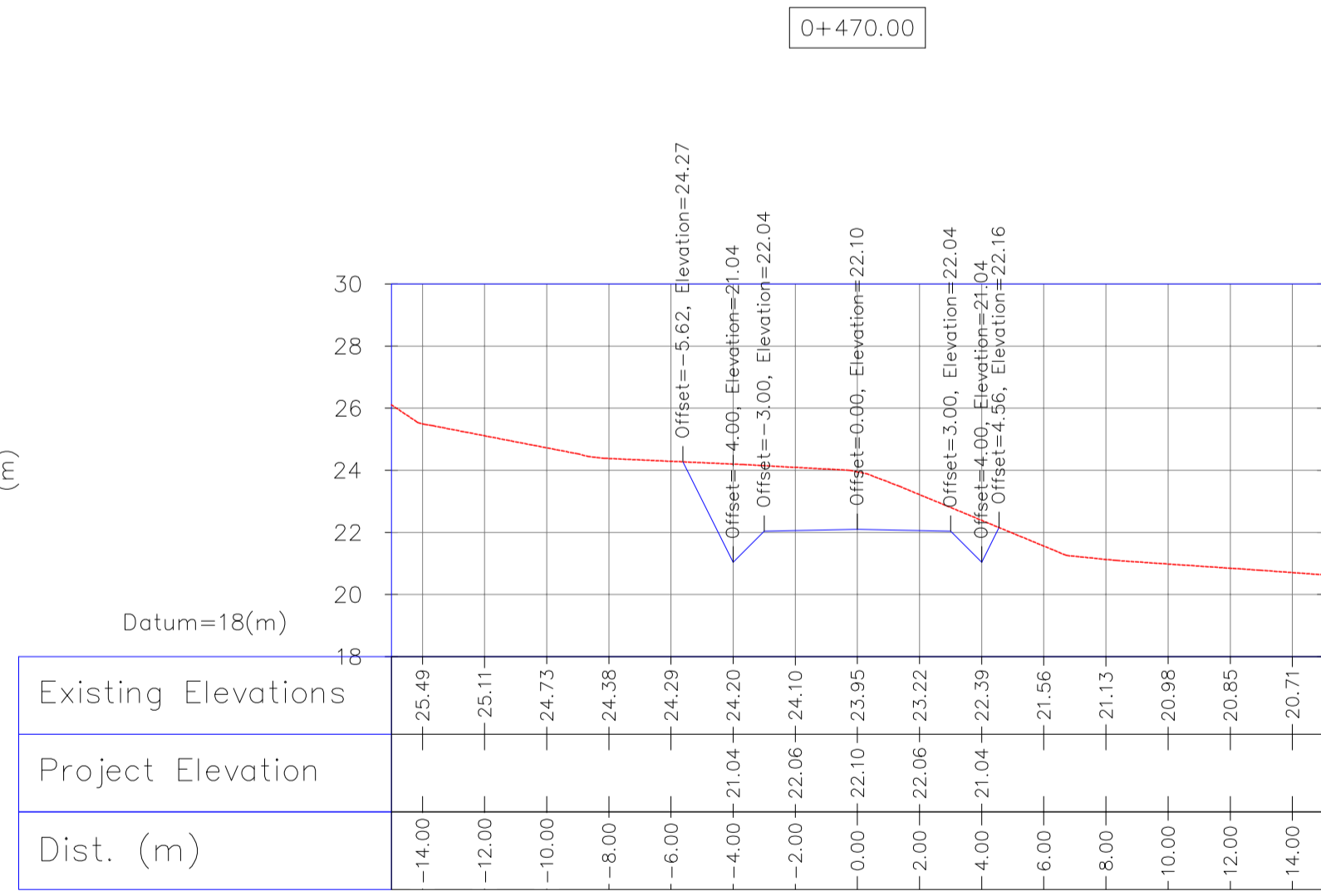
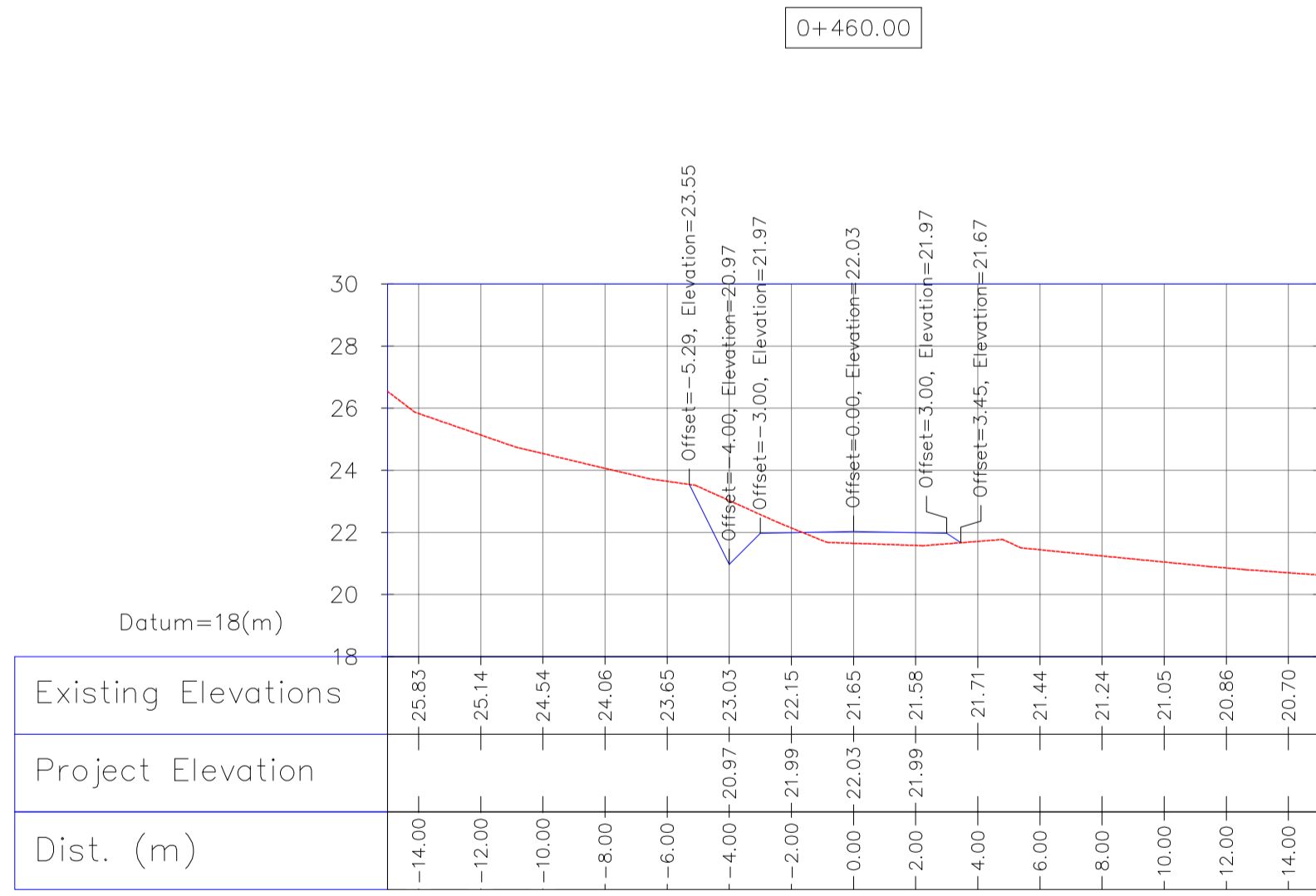
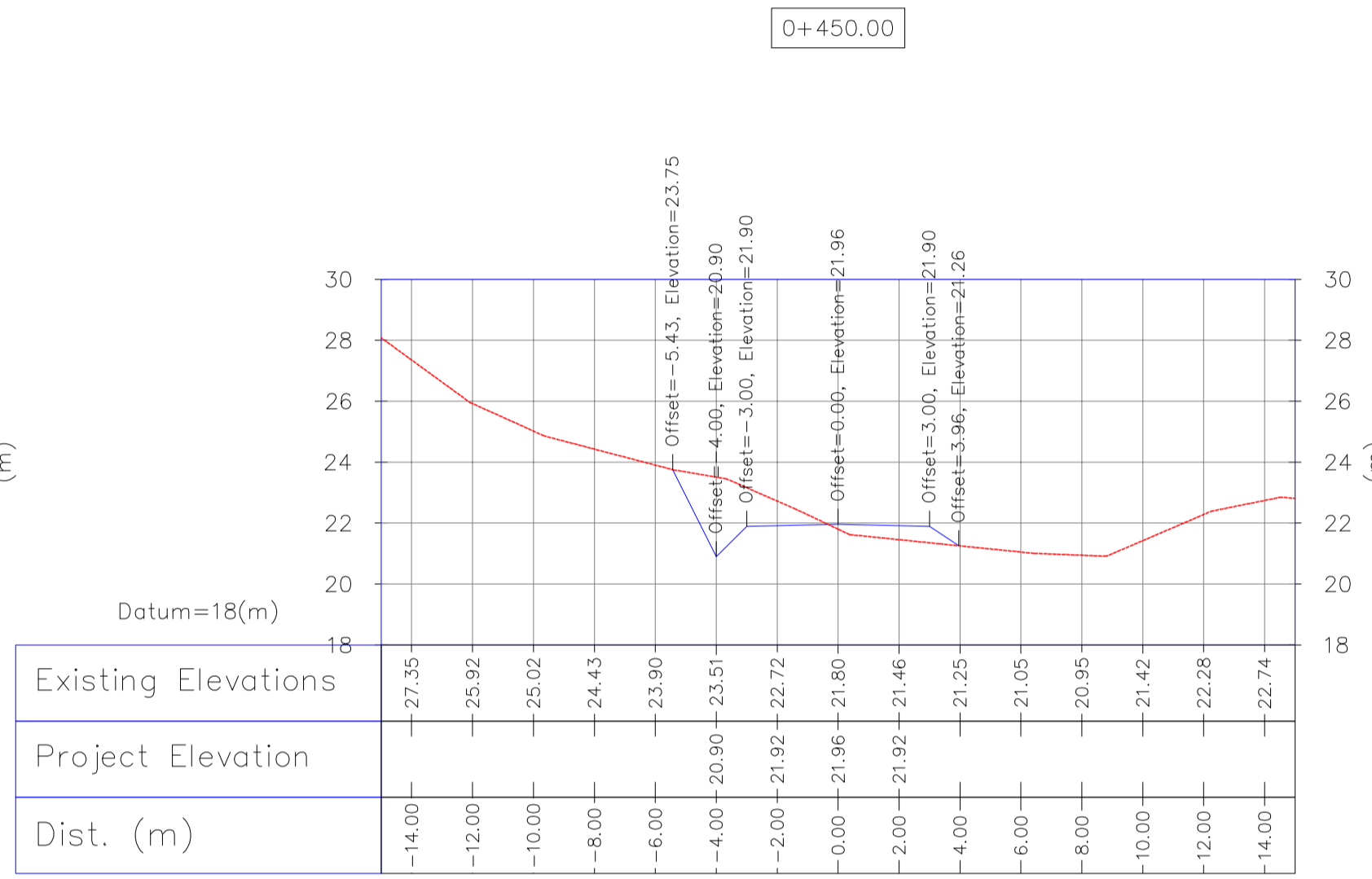
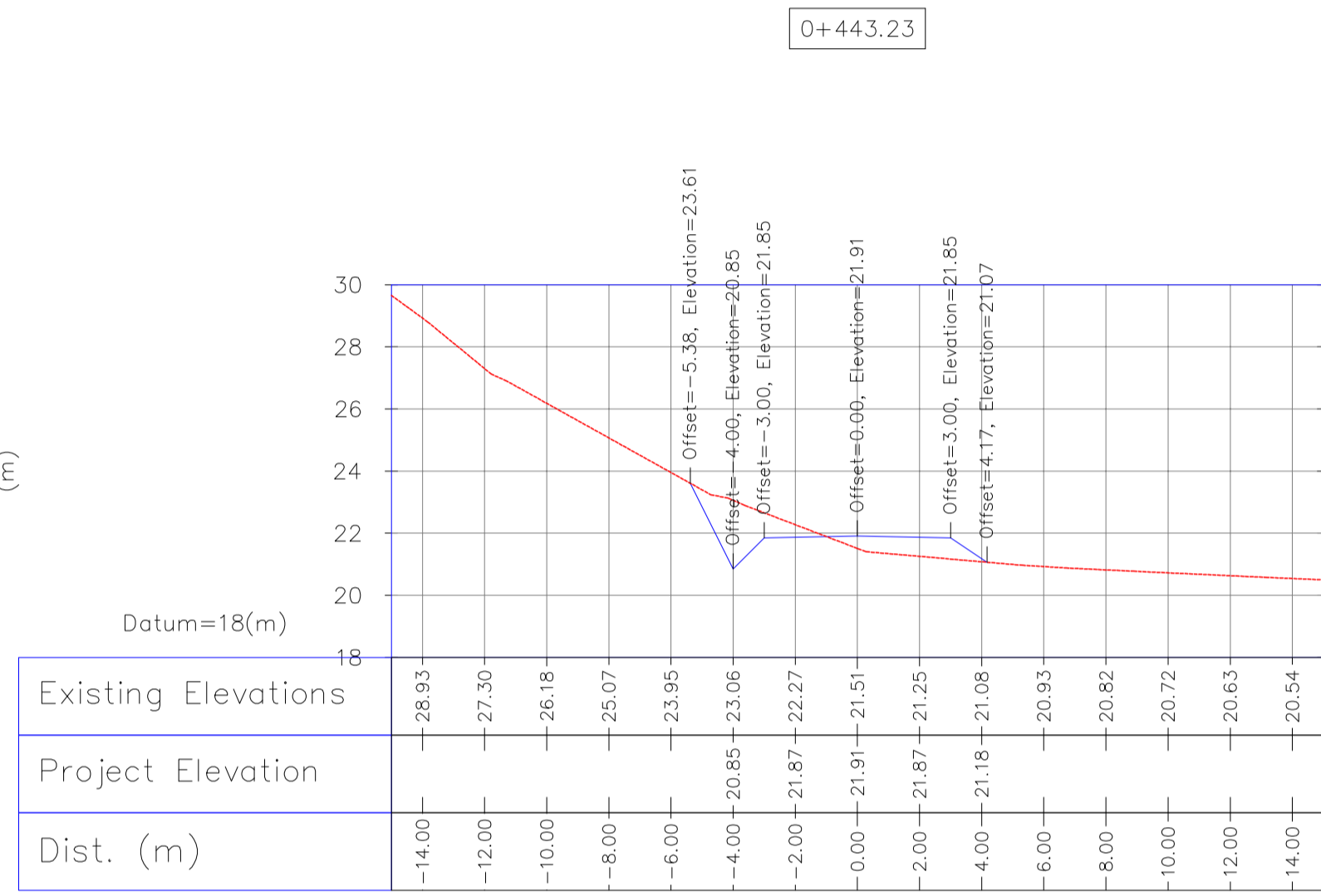
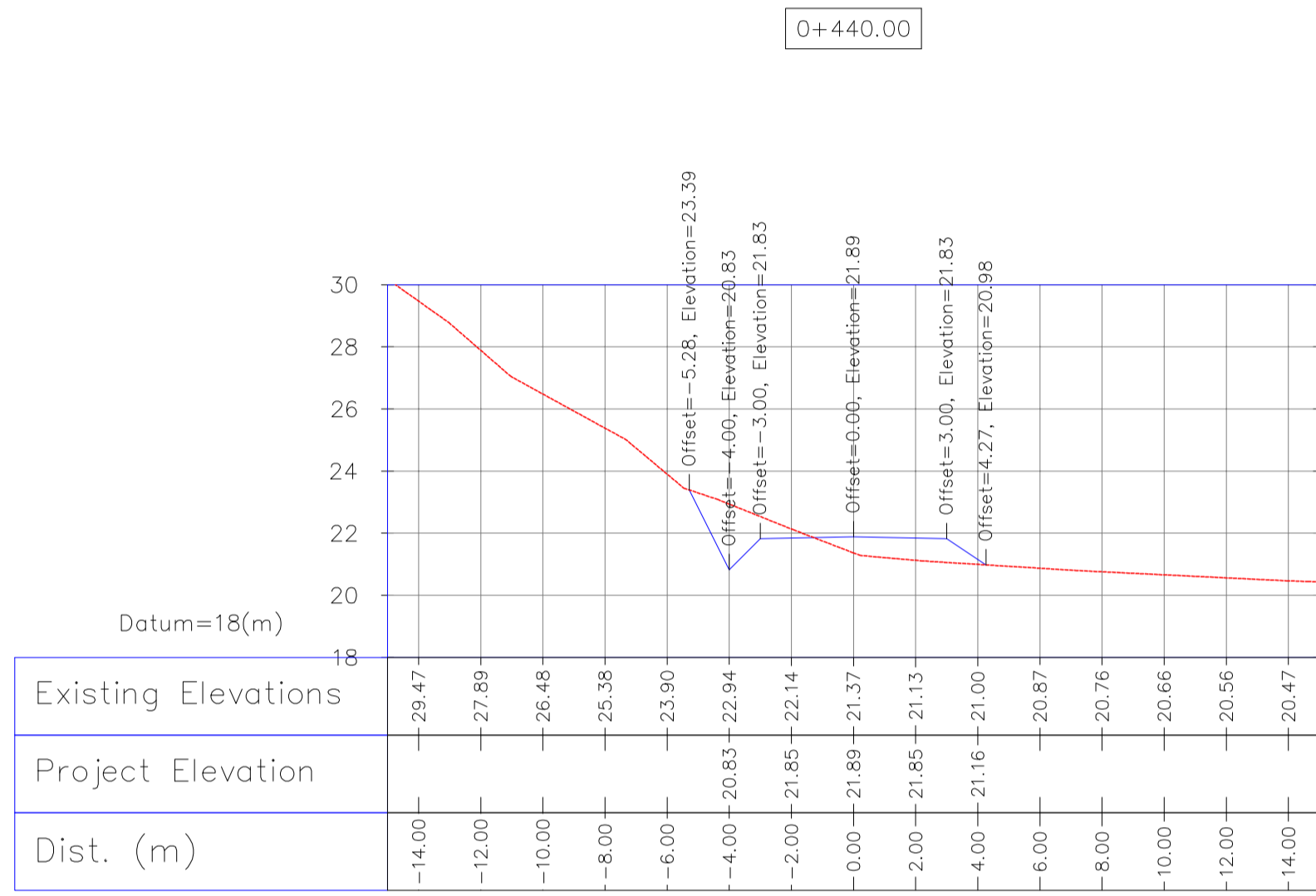
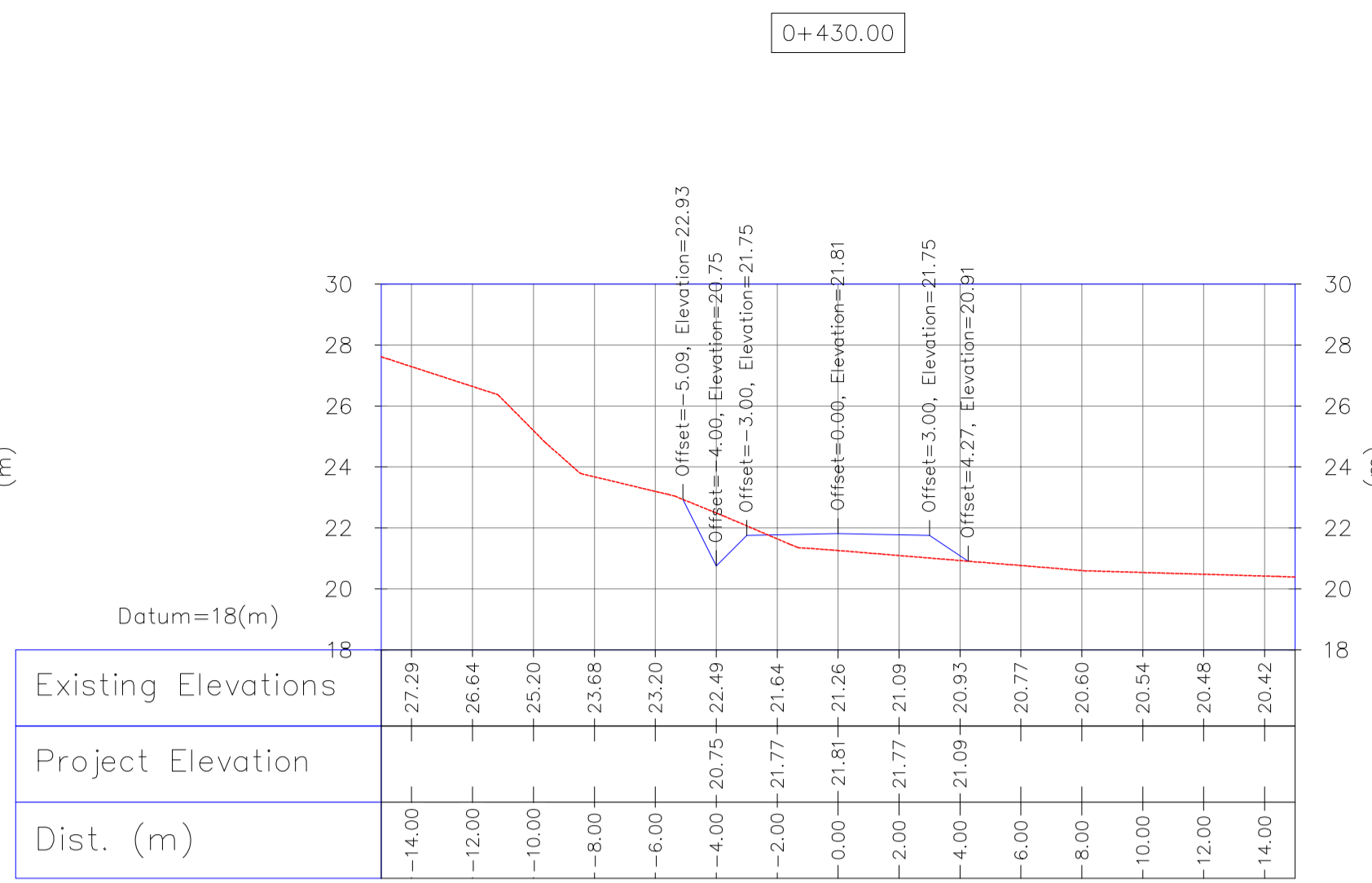
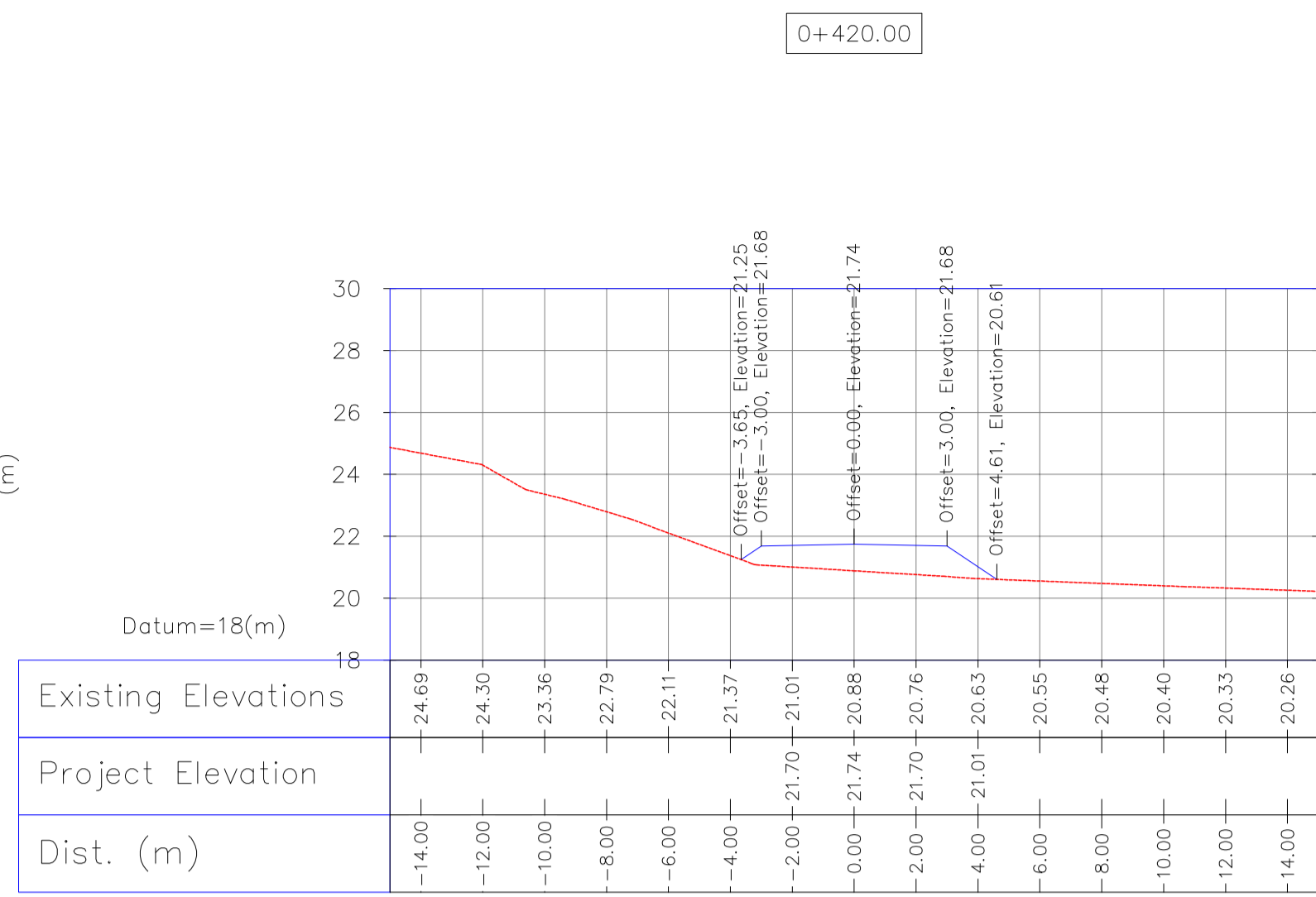
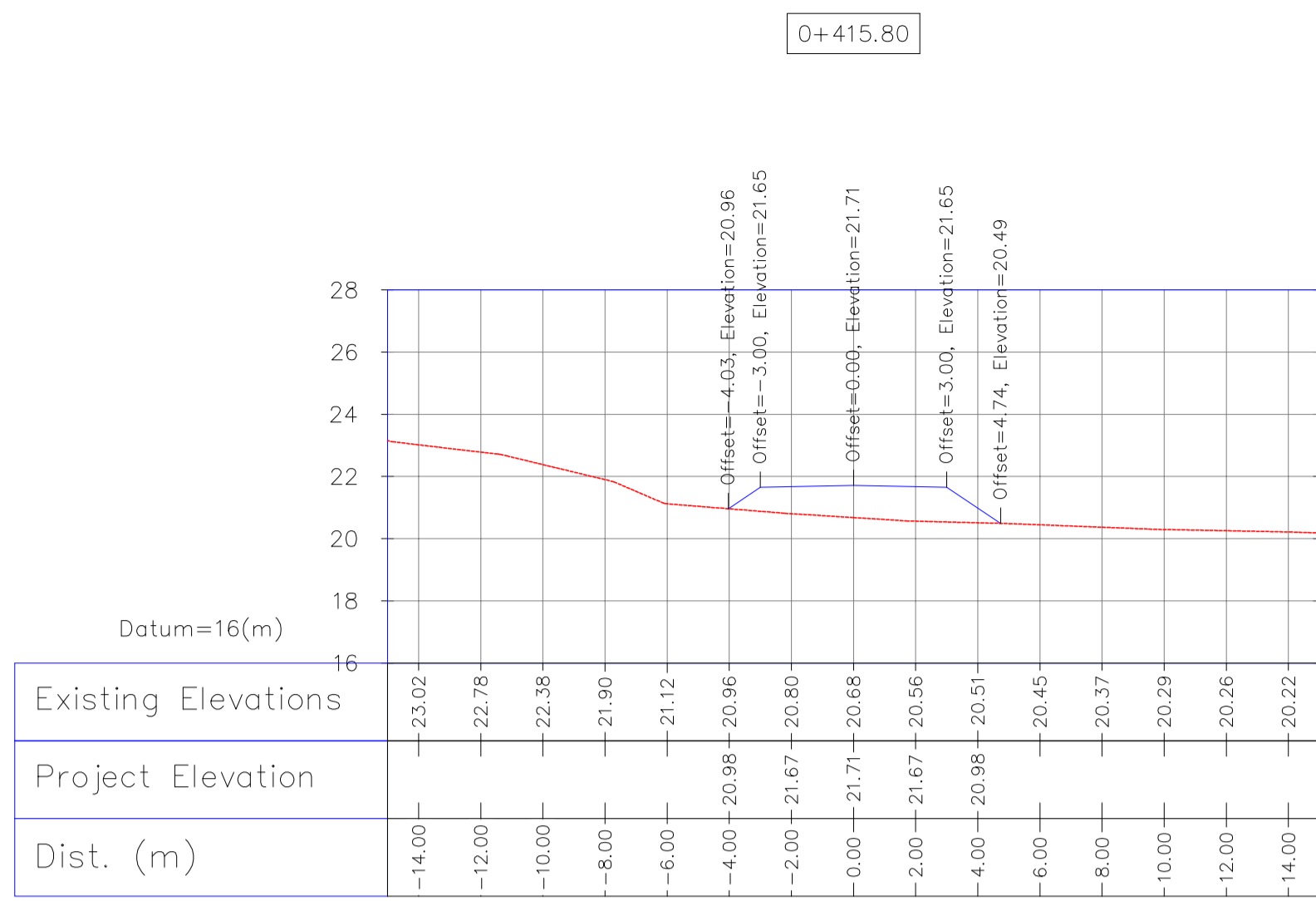
5- BEFORE ANY EARTH WORK ACTIVITIES (CUT OR FILL), TOP AND UNSUITABLE SOIL (MARN...) SHALL BE REMOVED AS GEOTECHNICAL RECOMMENDATION AND SUPERVISOR'S REQUIREMENTS.

THE ORIGINAL AND ALL COPIES OF THIS DRAWING TOGETHER WITH THE COPYRIGHT THEREIN ARE THE SOLE PROPERTY OF N.I.S.O.C./ FIELDS

BINAK OILFIELD DEVELOPMENT SUB-SURFACE WORK PACKAGES W046S WELLHEAD FACILITIES

NO CONSTRUCTION PERMITTED UNLESS DRAWING APPROVED

APPROVED FOR CONSTRUCTION BY: DATE:



NOTES

- ALL COORDINATES AND ELEVATIONS ARE IN METER.
- ALL DRAWINGS SHALL BE CHECKED BY CONTRACTOR WITH RELATIVE DRAWINGS BEFORE CONSTRUCTION.
- GEODETIC PARAMETERS FOR COORDINATES ARE AS BELOW:
 GEODETIC COORDINATE SYSTEM: WGS84/UTM ZONE 39
 ELLIPSOID: WORLD GEODETIC SYSTEM 1984 (WGS84)
 MAP PROJECTION: UNIVERSAL TRANSVERSE MERCATOR (UTM)
 VERTICAL DATUM: MSL.
- THE SUITABLE MATERIAL FOR FILLING SHALL BE COLLECTED BASED ON TO THE BELOW RULES:
 - PROJECT GEOTECHNICAL INVESTIGATION REPORT, BORROW MATERIALS AND SPECIFICATION STUDY PART.
 - "GENERAL SPECIFICATION FOR ROAD" NO. 101, SECTION 207, IRAN PLANNING AND BUDGET ORGANIZATION.
 - PROJECT GENERAL SPECIFICATION "SPECIFICATION FOR EARTH WORK" DOCUMENT NUMBER "BK-GNRL-PEDCO-000-CV-SP-0004".
 - GEOTECHNICAL REPORTS AND CLIENT'S SITE SUPERVISORY BODY RECOMMENDATIONS AND APPROVALS.
- BEFORE ANY EARTH WORK ACTIVITIES (CUT OR FILL), TOP AND UNSUITABLE SOIL (MARN...) SHALL BE REMOVED AS GEOTECHNICAL RECOMMENDATION AND SUPERVISOR'S REQUIREMENTS.

LEGEND

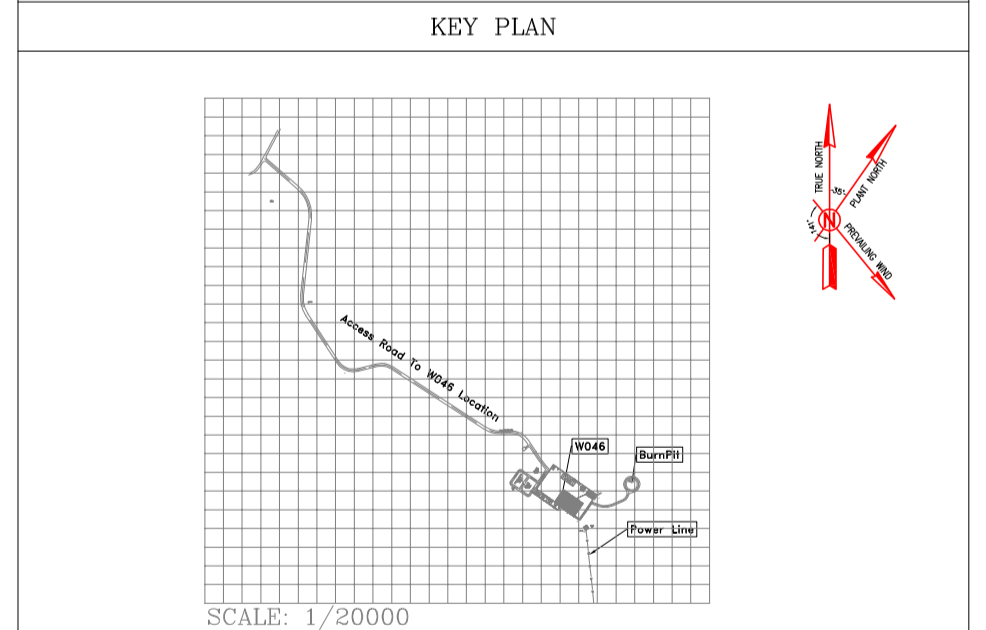
	WELL LOCATION		CANAL
	WELL		RIVER
	SITE		WATER COURSE
	CAMP SITE		CONTOURS
	ASPHALT ROAD		SPOT HEIGHT
	GRAVEL ROAD		BENCH MARK
	PROPOSED ROAD		BRIDGE
	DAYLIGHT		CULVERT

REFERENCE DRAWING

REFERENCE DRAWING	DRG. No.
General Civil Layout - W046S	BK-W046S-PEDCO-110-CV-PY-0001
Rough Grading Plans - W046S	BK-W046S-PEDCO-110-CV-DW-0001
Standard Drawing For Culvert & Details	BK-GNRL-PEDCO-000-CV-DW-0014
Specification For Road & Paving	BK-GNRL-PEDCO-000-CV-SP-0002
Standard Drawing For Slope Protection Details	BK-GNRL-PEDCO-000-CV-DW-0002
Specification For Earth Work	BK-GNRL-PEDCO-000-CV-SP-0004
Standard Pipe Support Drawings	BK-SSRGL-PEDCO-110-PI-DW-0001

ABBREVIATION

PT= POINT
 PVI= POINT OF VERTICAL INTERSECTION
 LVC= LENGTH OF VERTICAL CURVE
 BVCS= BEGN OF VERTICAL CURVE STATION
 BVCE= BEGN OF VERTICAL CURVE ELEVATION
 EVCS= END OF VERTICAL CURVE STATION
 EVCE= END OF VERTICAL CURVE ELEVATION



1:200 Wellpad Access Road Transversal Sections

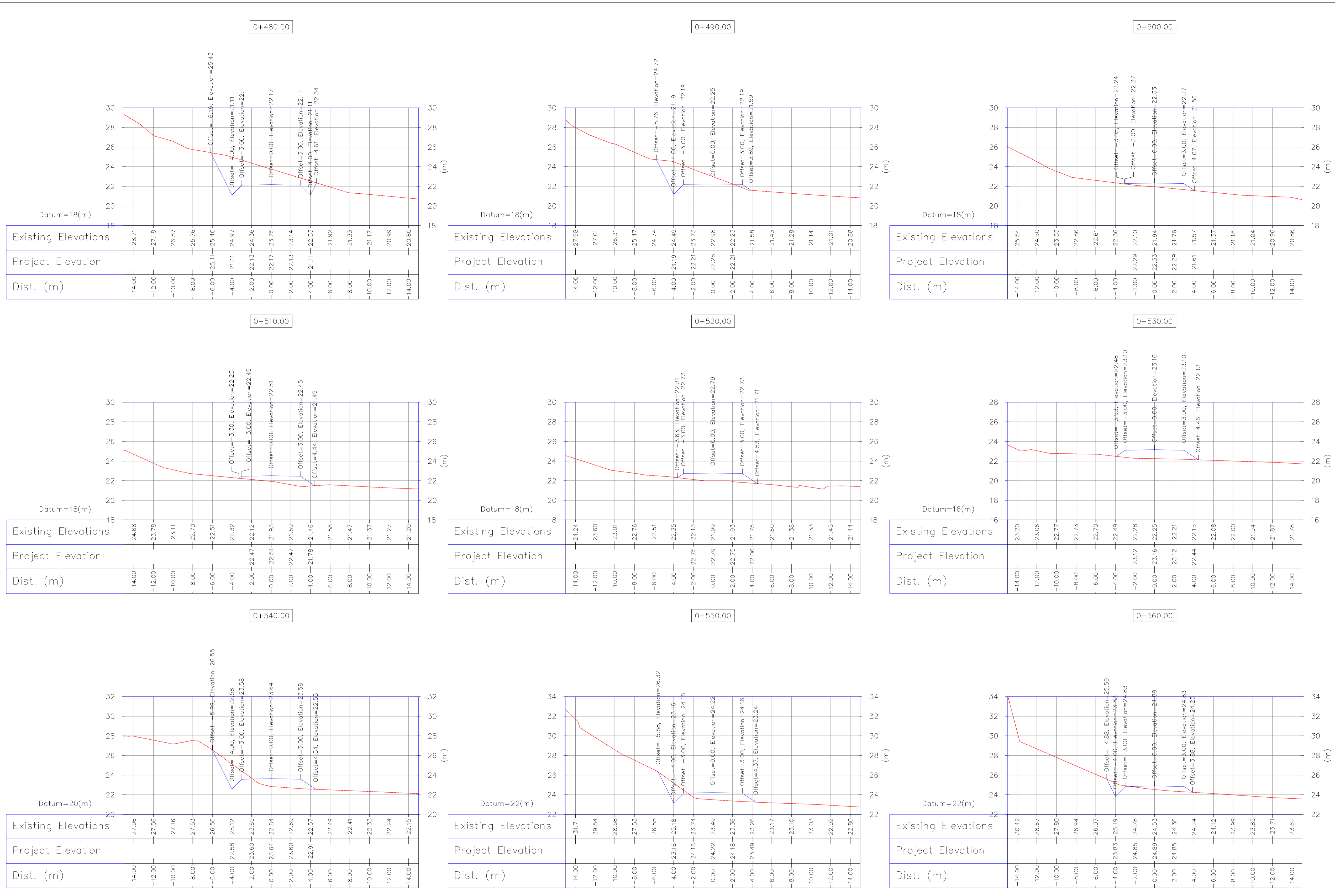
Bench Mark List

Name	Easting(m)	Northing(m)	Elevation(m)
BM46	434828.378	3295176.513	27.976
BM47	434927.199	3294904.707	30.435
GPS3	435475.041	3294403.599	66.867
GPS1	435686.115	3294303.397	78.025

D04	MAY.2023	AFC	R. BERLOUEI	M.PAKHARIAN	A.M.MOHSSENI	***
D03	DEC.2022	IFA	R. BERLOUEI	M.PAKHARIAN	M.MEHRSHAD	***
D02	SEP.2022	IFA	R. BERLOUEI	M.PAKHARIAN	M.MEHRSHAD	***
D01	JUL.2022	IFA	R. BERLOUEI	M.PAKHARIAN	M.MEHRSHAD	***
D00	MAY.2022	IFC	R. BERLOUEI	M.PAKHARIAN	M.MEHRSHAD	***
REV.	DATE	P.O.I.S	PREP.	CHK.	APP.	AUT.
PROJECT NAME: BINAK OILFIELD DEVELOPMENT/SUB-SURFACE WORK PACKAGES W046S WELLHEAD FACILITIES						
PROJECT NO.: 971020						
EPC CONTRACTOR: HIRGAN ENERGY - DESIGN & INSPECTION COMPANIES			EPD/EPC CONTRACTOR(GC): PETROIRAN DEVELOPMENT COMPANY			
DRAWING TITLE: CIVIL AND STRUCTURAL DRAWINGS-W046S ACCESS ROAD TRANSVERSAL SECTIONS KM 415.8 ~ 470.66(m)						
SCALE	SIZE	DRAWING NO.		SHEET NO.	REV.	
AS SHOWN	A1	BK-W046S-PEDCO-110-CV-PY-0002		29 OF 46	D04	

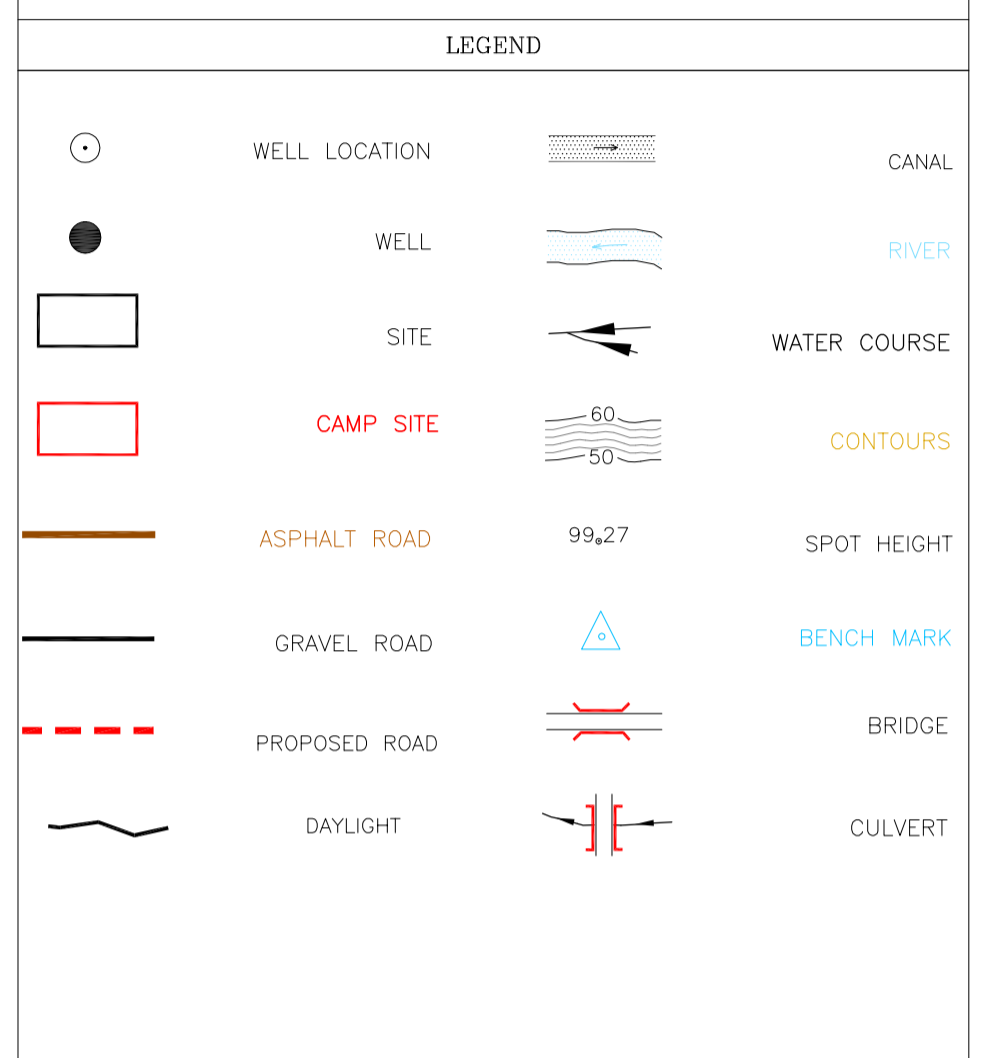
REV.	DESCRIPTION	BY	DATE	BY	DATE
***	*****	***	*****	***	*****
CHECKED					
REV. APPR.					
اسم و کليه نسخ اين نقشه و حق اقتباس متعلق به شرکت ملی مناطق نفت خيز جنوب مي باشد.					
THE ORIGINAL AND ALL COPIES OF THIS DRAWING TOGETHER WITH THE COPYRIGHT THEREIN ARE THE SOLE PROPERTY OF N.I.S.O.C./ FIELDS					
BINAK OILFIELD DEVELOPMENT SUB-SURFACE WORK PACKAGES W046S WELLHEAD FACILITIES					
DATE	SCALE	DRAWING BY	CHECKED BY	PROJECT ENG.	
NO CONSTRUCTION PERMITTED UNLESS DRAWING APPROVED					
APPROVED FOR CONSTRUCTION			BY:	DATE:	
BUDGET REF.	LOCATION	SIZE	CLASS	SERIAL NO.	SHEET REVISION
053-073-9184	F	4	S	707654	29 D04

Totally Revised



NOTES

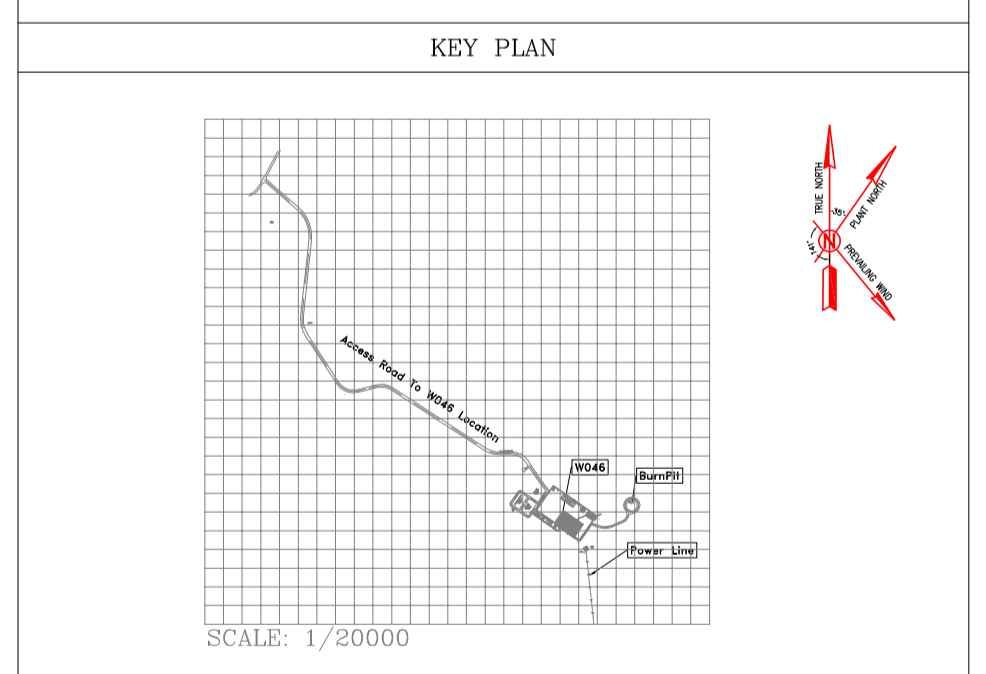
- ALL COORDINATES AND ELEVATIONS ARE IN METER.
- ALL DRAWINGS SHALL BE CHECKED BY CONTRACTOR WITH RELATIVE DRAWINGS BEFORE CONSTRUCTION.
- GEODETIC PARAMETERS FOR COORDINATES ARE AS BELOW:
 HORIZONTAL COORDINATE SYSTEM: WGS84/UTM ZONE 39
 ELLIPSOID: WORLD GEODETIC SYSTEM 1984 (WGS84)
 MAP PROJECTION: UNIVERSAL TRANSVERSE MERCATOR (UTM)
 VERTICAL DATUM: MSL.
- THE SUITABLE MATERIAL FOR FILLING SHALL BE COLLECTED BASED ON TO THE BELOW RULES:
 - PROJECT GEOTECHNICAL INVESTIGATION REPORT, BORROW MATERIALS AND SPECIFICATION STUDY PART.
 - "GENERAL SPECIFICATION FOR ROAD" NO. 101, SECTION 207,
 "PLAN PLANNING AND BUDGET ORGANIZATION"
 - PROJECT GENERAL SPECIFICATION "SPECIFICATION FOR EARTH WORK"
 DOCUMENT NUMBER "BK-GNRL-PEDCO-000-CV-SP-0004".
 - GEOTECHNICAL REPORTS AND CLIENT'S SITE SUPERVISORY BODY RECOMMENDATIONS AND APPROVALS.
- BEFORE ANY EARTH WORK ACTIVITIES (CUT OR FILL), TOP AND UNSUITABLE SOIL (MARN...) SHALL BE REMOVED AS GEOTECHNICAL RECOMMENDATION AND SUPERVISOR'S REQUIREMENTS.



REFERENCE DRAWING	DRG. No.
General Civil Layout - W046S	BK-W046S-PEDCO-110-CV-PY-0001
Rough Grading Plans - W046S	BK-W046S-PEDCO-110-CV-DW-0001
Standard Drawing For Culvert & Details	BK-GNRL-PEDCO-000-CV-DW-0014
Specification For Road & Paving	BK-GNRL-PEDCO-000-CV-SP-0002
Standard Drawing For Slope Protection Details	BK-GNRL-PEDCO-000-CV-DW-0002
Specification For Earth Work	BK-GNRL-PEDCO-000-CV-SP-0004
Standard Pipe Support Drawings	BK-SGRSL-PEDCO-110-PI-DW-0001

ABBREVIATION

PT= POINT
 PVI= POINT OF VERTICAL INTERSECTION
 LVC= LENGTH OF VERTICAL CURVE
 EVCS= BEGIN OF VERTICAL CURVE STATION
 BVCE= BEGIN OF VERTICAL CURVE ELEVATION
 EVCS= END OF VERTICAL CURVE STATION
 EVCE= END OF VERTICAL CURVE ELEVATION



1:200 Wellpad Access Road Transversal Sections

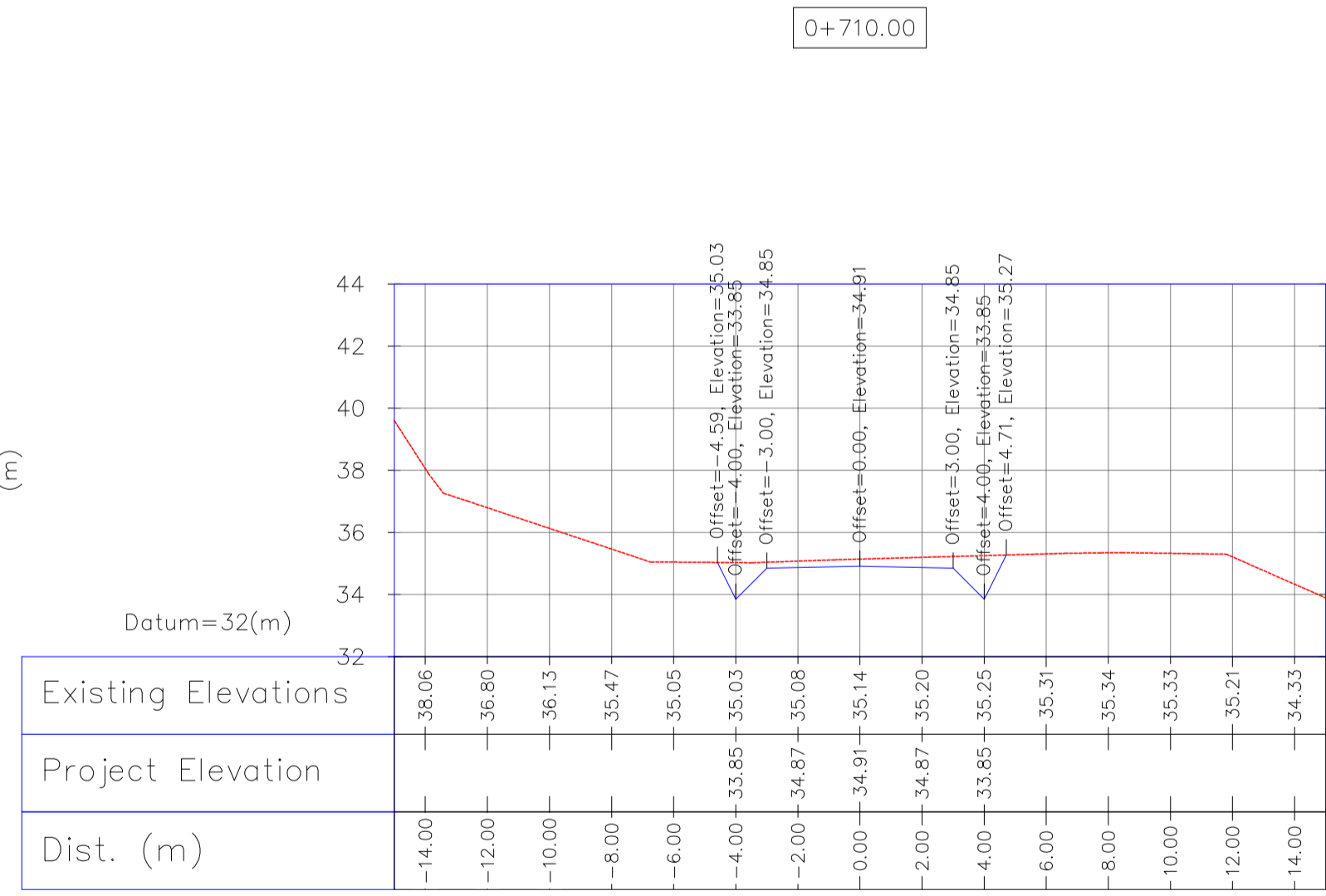
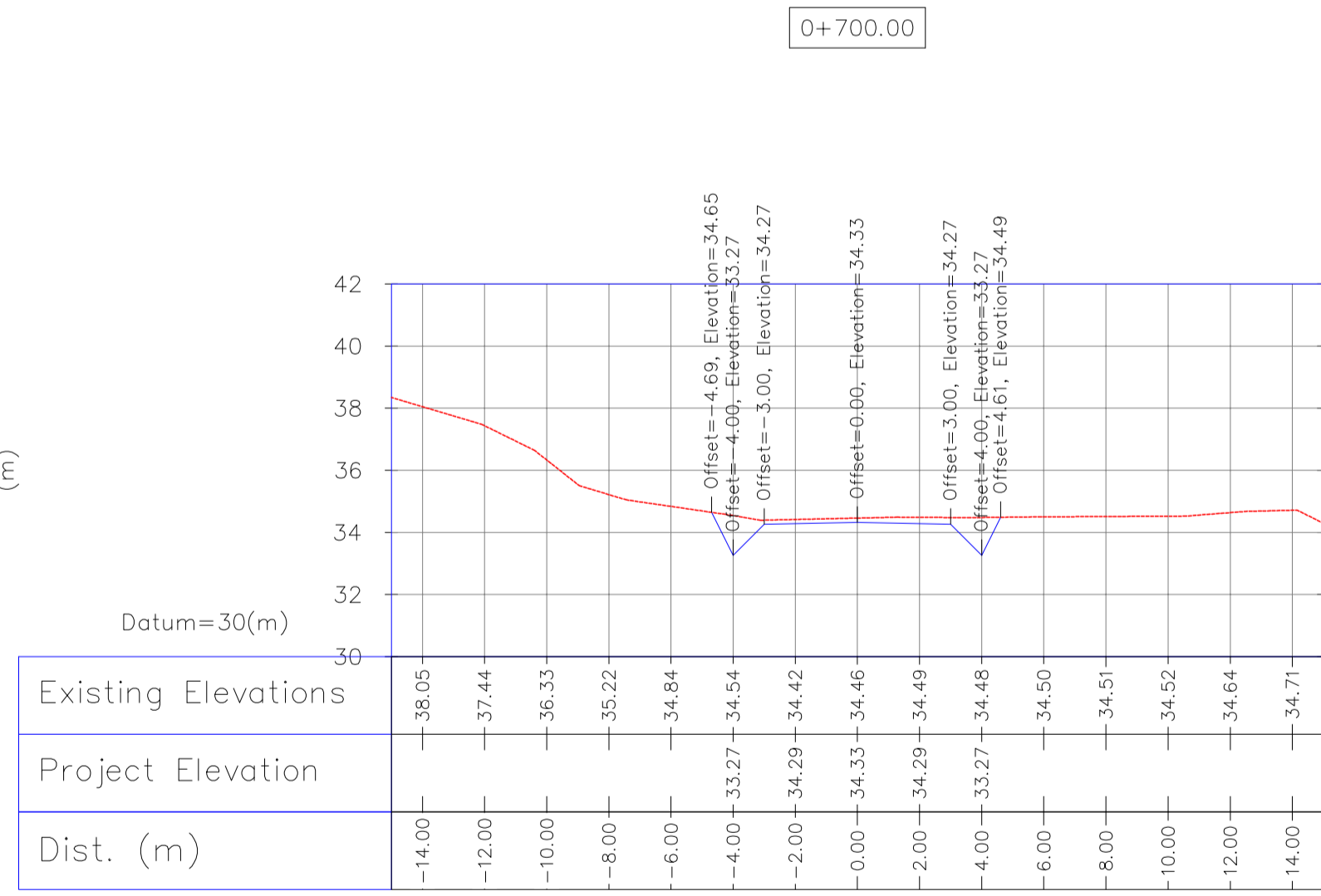
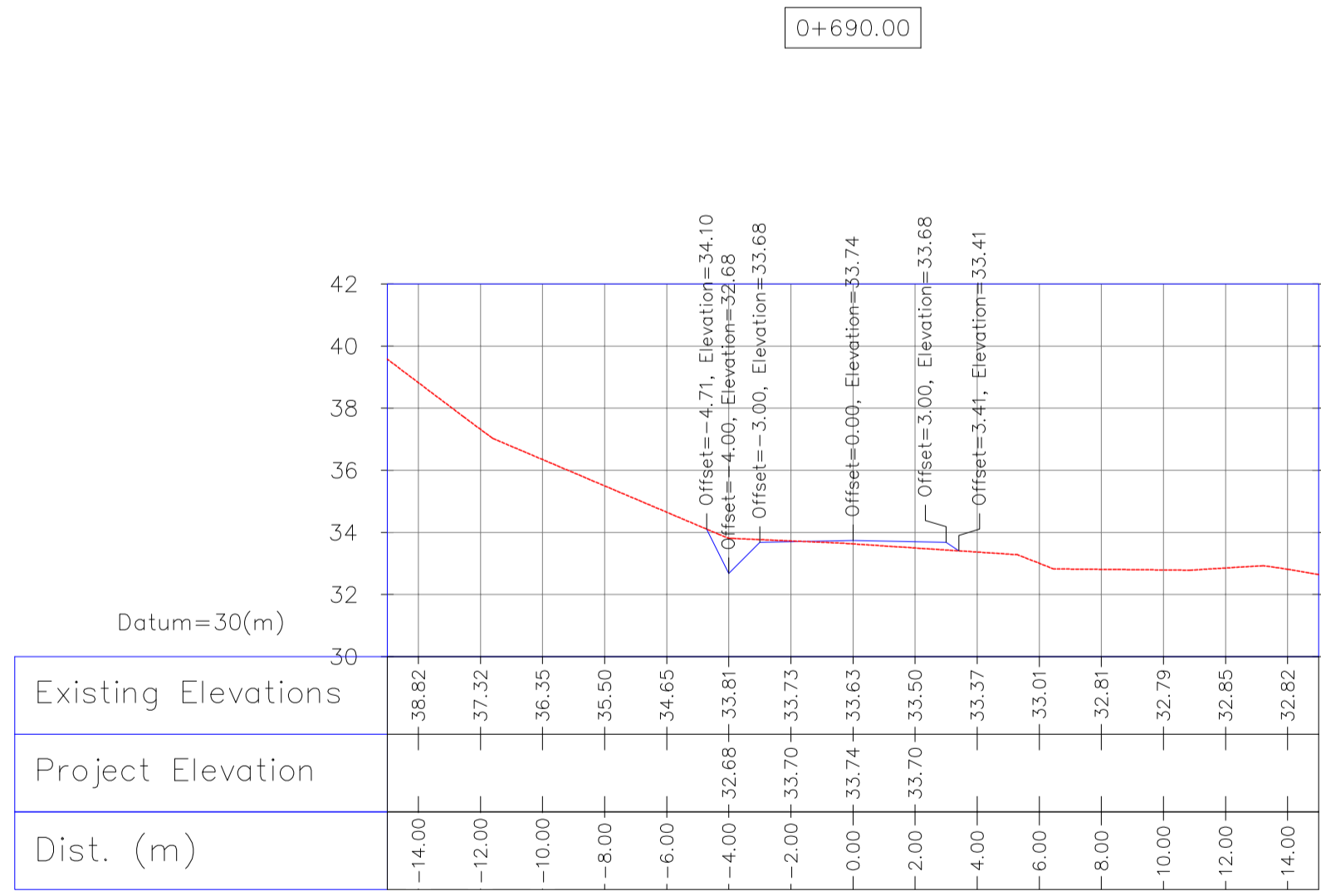
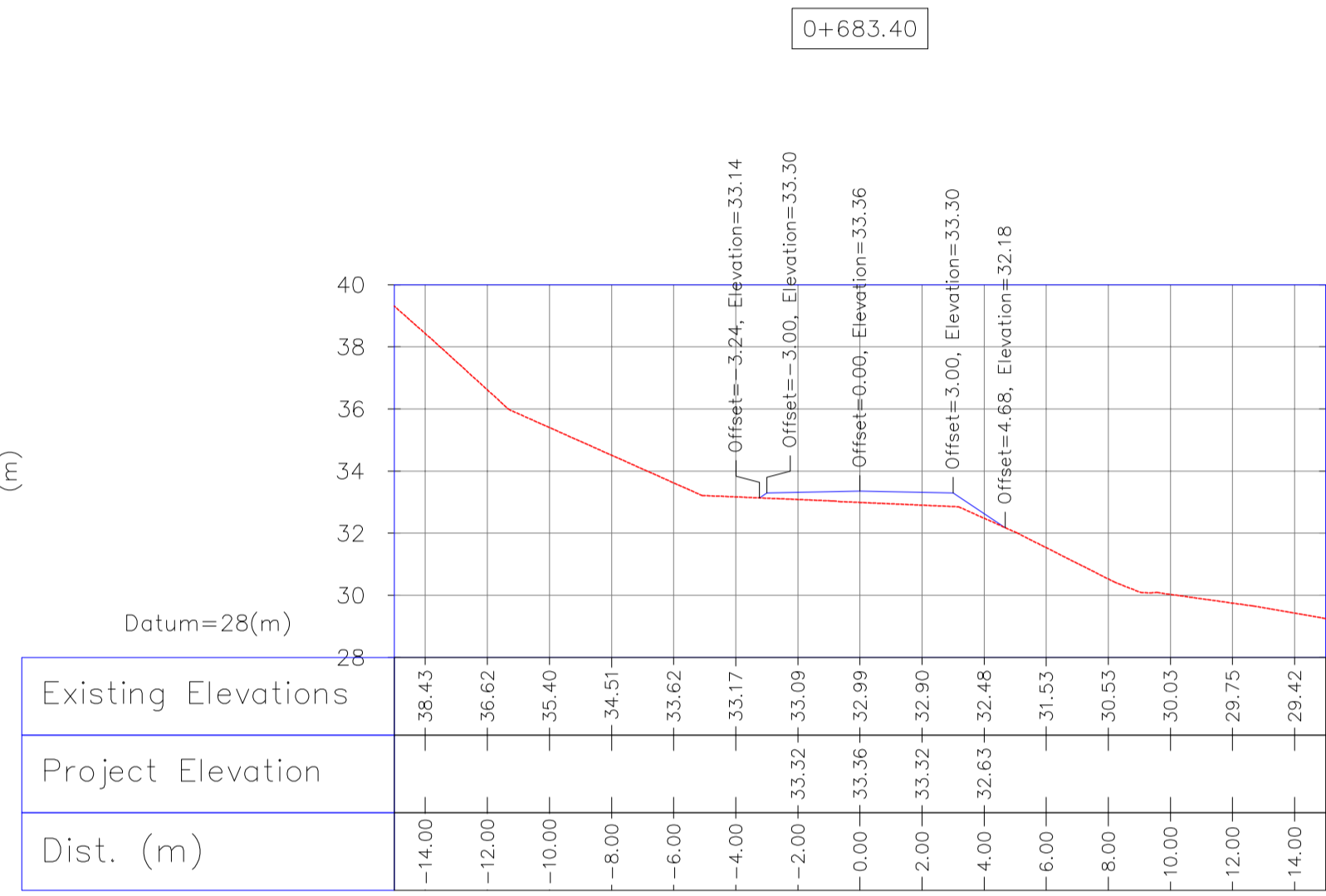
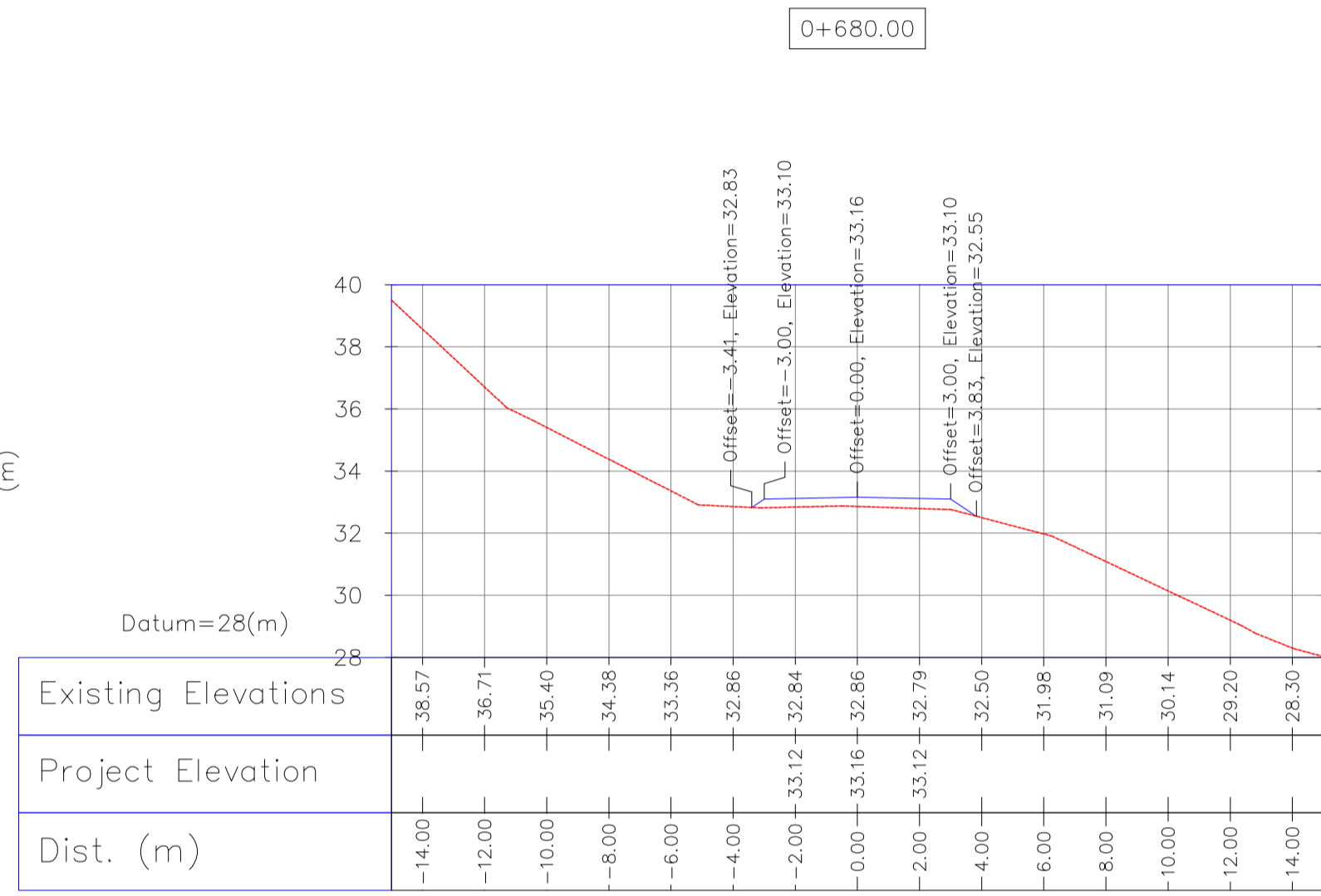
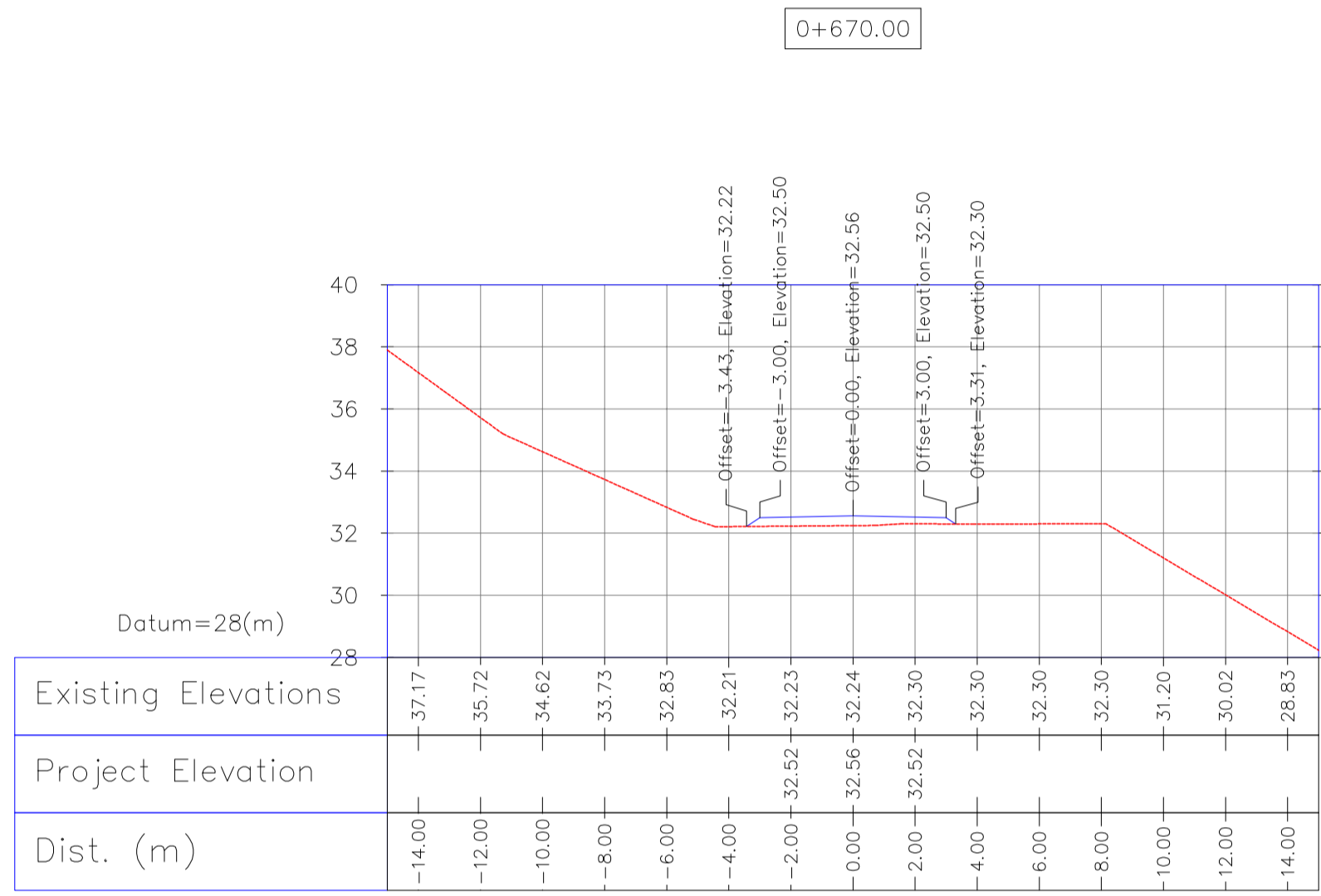
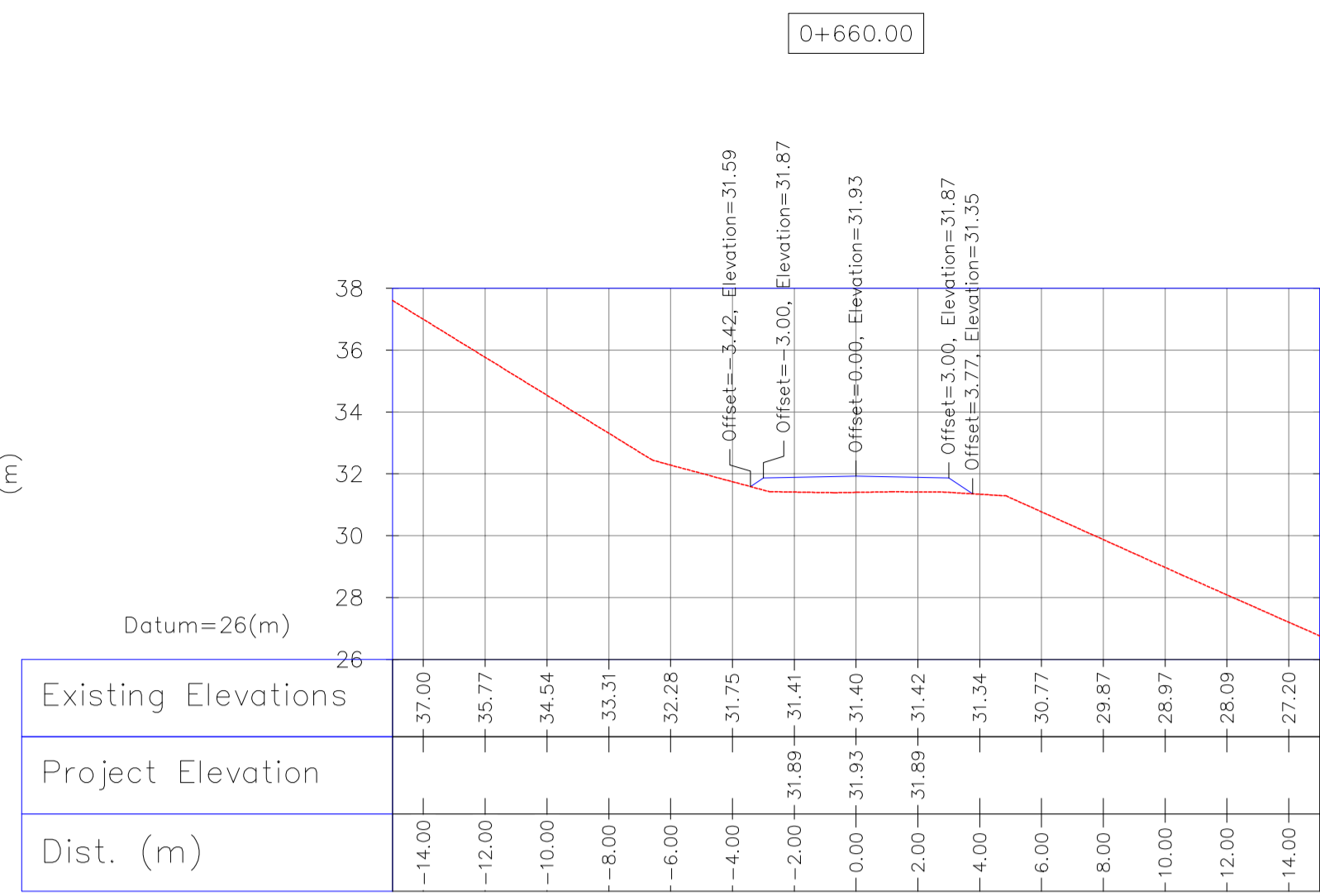
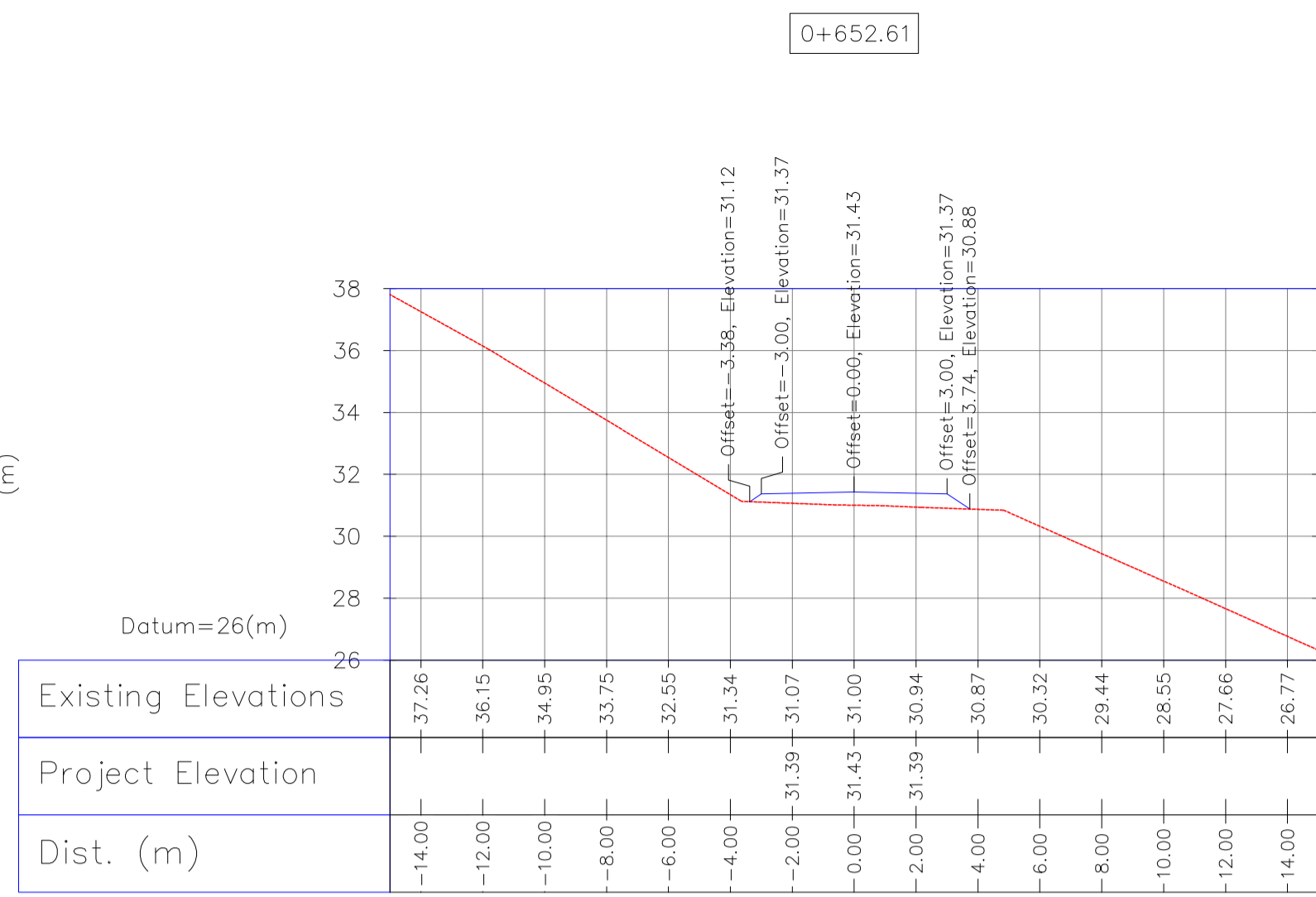
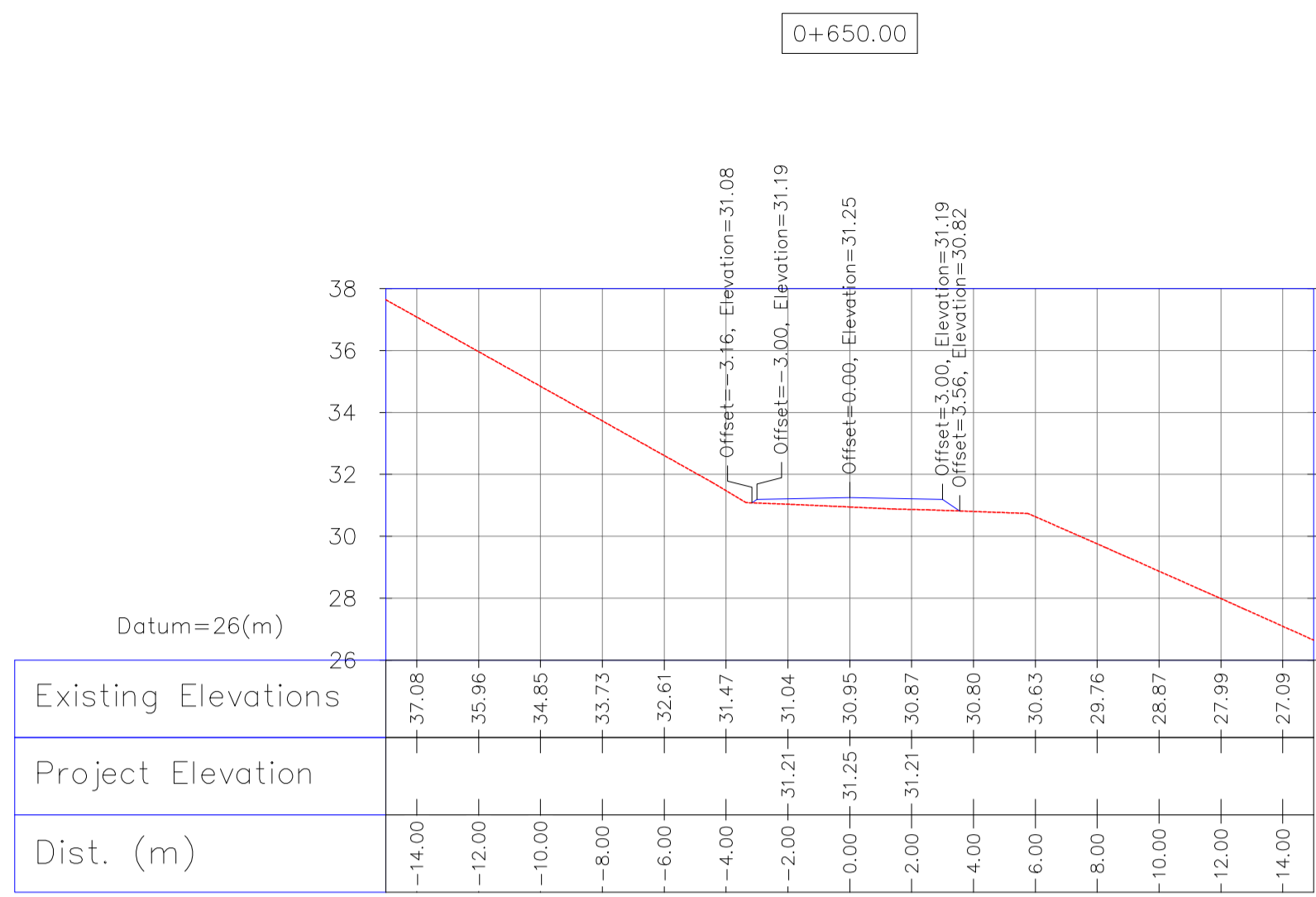
Bench Mark List

Name	Easting(m)	Northing(m)	Elevation(m)
BM46	434828.378	3295176.513	27.976
BM47	434927.199	3294904.707	30.435
GPS3	435475.041	3294403.599	66.867
GPS1	435686.115	3294303.397	78.025

D04	MAY.2023	AFC	R. BERLOUEI	M.PAKHARIAN	A.M.MOHSSENI	***
D03	DEC.2022	IFA	R. BERLOUEI	M.PAKHARIAN	M.MEHRSHAD	***
D02	SEP.2022	IFA	R. BERLOUEI	M.PAKHARIAN	M.MEHRSHAD	***
D01	JUL.2022	IFA	R. BERLOUEI	M.PAKHARIAN	M.MEHRSHAD	***
D00	MAY.2022	IFC	R. BERLOUEI	M.PAKHARIAN	M.MEHRSHAD	***
REV.	DATE	P.O.I.S	PREP.	CHK.	APP.	AUT.
PROJECT NAME: BINAK OILFIELD DEVELOPMENT/SUB-SURFACE WORK PACKAGES W046S WELLHEAD FACILITIES						
PROJECT NO.: 971020						
EPC CONTRACTOR: HIRGAN ENERGY - DESIGN & INSPECTION COMPANIES			EPD/EPC CONTRACTOR(GC): PETROIRAN DEVELOPMENT COMPANY			
DRAWING TITLE: CIVIL AND STRUCTURAL DRAWINGS-W046S ACCESS ROAD TRANSVERSAL SECTIONS KM 480 ~560(m)						
SCALE	SIZE	DRAWING NO.		SHEET NO.	REV.	BUDGET REF.
AS SHOWN	A1	BK-W046S-PEDCO-110-CV-PY-0002		30 OF 46	D04	053-073-9184

REV.	DESCRIPTION	BY	DATE	BY	DATE
***	*****	***	*****	***	*****
CHECKED					
REV. APPR.					
اسم و کلیه نسخ این نقشه و حق امتیاز متعلق به شرکت ملی مناطق نفت خیز جنوب میباشد.					
THE ORIGINAL AND ALL COPIES OF THIS DRAWING TOGETHER WITH THE COPYRIGHT THEREIN ARE THE SOLE PROPERTY OF N.I.S.O.C./ FIELDS					
BINAK OILFIELD DEVELOPMENT SUB-SURFACE WORK PACKAGES W046S WELLHEAD FACILITIES					
DATE	SCALE	DRAWING BY	CHECKED BY	PROJECT ENG.	
NO CONSTRUCTION PERMITTED UNLESS DRAWING APPROVED					
APPROVED FOR CONSTRUCTION			BY:	DATE:	
AS SHOWN	AI	BK-W046S-PEDCO-110-CV-PY-0002	30 OF 46	D04	053-073-9184

Totally Revised



NOTES

- ALL COORDINATES AND ELEVATIONS ARE IN METER.
- ALL DRAWINGS SHALL BE CHECKED BY CONTRACTOR WITH RELATIVE DRAWINGS BEFORE CONSTRUCTION.
- GEODETIC PARAMETERS FOR COORDINATES ARE AS BELOW:
HORIZONTAL COORDINATE SYSTEM: WGS84/UTM ZONE 39
ELLIPSOID: WORLD GEODETIC SYSTEM 1984 (WGS84)
MAP PROJECTION: UNIVERSAL TRANSVERSE MERCATOR (UTM)
VERTICAL DATUM: MSL.
- THE SUITABLE MATERIAL FOR FILLING SHALL BE COLLECTED BASED ON TO THE BELOW RULES:
- PROJECT GEOTECHNICAL INVESTIGATION REPORT, BORROW MATERIALS AND SPECIFICATION STUDY PART.
- "GENERAL SPECIFICATION FOR ROAD" NO. 101, SECTION 207,
- BRAN PLANNING AND BUDGET ORGANIZATION.
- PROJECT GENERAL SPECIFICATION "SPECIFICATION FOR EARTH WORK"
DOCUMENT NUMBER "BK-GNRL-PEDCO-000-CV-SP-0004".
- GEOTECHNICAL REPORTS AND CLIENT'S SITE SUPERVISORY BODY RECOMMENDATIONS AND APPROVALS.
- BEFORE ANY EARTH WORK ACTIVITIES (CUT OR FILL), TOP AND UNSUITABLE SOIL (MARN...) SHALL BE REMOVED AS GEOTECHNICAL RECOMMENDATION AND SUPERVISOR'S REQUIREMENTS.

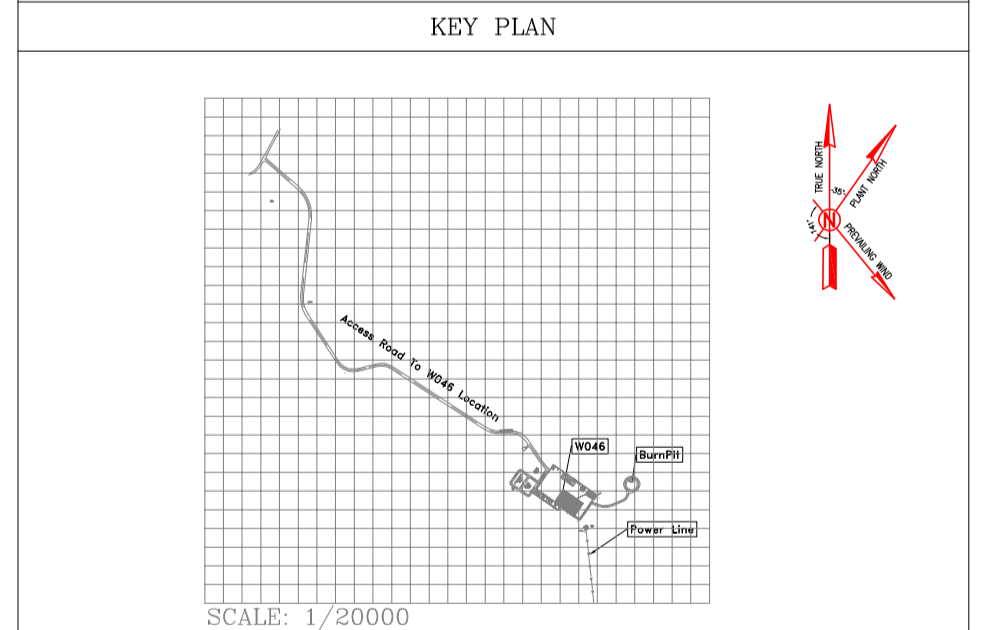
LEGEND

	WELL LOCATION		CANAL
	WELL		RIVER
	SITE		WATER COURSE
	CAMP SITE		CONTOURS
	ASPHALT ROAD		SPOT HEIGHT
	GRAVEL ROAD		BENCH MARK
	PROPOSED ROAD		BRIDGE
	DAYLIGHT		CULVERT

REFERENCE DRAWING	DRG. No.
General Civil Layout - W046S	BK-W046S-PEDCO-110-CV-PY-0001
Rough Grading Plans - W046S	BK-W046S-PEDCO-110-CV-DW-0001
Standard Drawing For Culvert & Details	BK-GNRL-PEDCO-000-CV-DW-0014
Specification For Road & Paving	BK-GNRL-PEDCO-000-CV-SP-0002
Standard Drawing For Slope Protection Details	BK-GNRL-PEDCO-000-CV-DW-0002
Specification For Earth Work	BK-GNRL-PEDCO-000-CV-SP-0004
Standard Pipe Support Drawings	BK-SGRSL-PEDCO-110-PI-DW-0001

ABBREVIATION

PT= POINT
PVI= POINT OF VERTICAL INTERSECTION
LVC= LENGTH OF VERTICAL CURVE
EVC= BEGIN OF VERTICAL CURVE STATION
BVCE= BEGIN OF VERTICAL CURVE ELEVATION
EVC= END OF VERTICAL CURVE STATION
EVCE= END OF VERTICAL CURVE ELEVATION



1:200 Wellpad Access Road Transversal Sections

Bench Mark List

Name	Easting(m)	Northing(m)	Elevation(m)
BM46	434828.378	3295176.513	27.976
BM47	434927.199	3294904.707	30.435
GPS3	435475.041	3294403.599	66.867
GPS1	435686.115	3294303.397	78.025

Totally Revised

D04	MAY.2023	AFC	R. BERLOUEI	M.PAKHARIAN	A.M.MOHSSENI	***
D03	DEC.2022	IFA	R. BERLOUEI	M.PAKHARIAN	M.MEHRSHAD	***
D02	SEP.2022	IFA	R. BERLOUEI	M.PAKHARIAN	M.MEHRSHAD	***
D01	JUL.2022	IFA	R. BERLOUEI	M.PAKHARIAN	M.MEHRSHAD	***
D00	MAY.2022	IFC	R. BERLOUEI	M.PAKHARIAN	M.MEHRSHAD	***
REV.	DATE	P.O.I.S	PREP.	CHK.	APP.	AUT.

PROJECT NAME: BINAK OILFIELD DEVELOPMENT/SUB-SURFACE WORK PACKAGES W046S WELLHEAD FACILITIES

PROJECT NO.: 971020

EPC CONTRACTOR: HIRGAN ENERGY - DESIGN & INSPECTION COMPANIES

EPD/EPC CONTRACTOR(GC): PETROIRAN DEVELOPMENT COMPANY

DRAWING TITLE: CIVIL AND STRUCTURAL DRAWINGS-W046S ACCESS ROAD TRANSVERSAL SECTIONS KM 650 ~710(m)

SCALE: AS SHOWN

DRAWING NO.: BK-W046S-PEDCO-110-CV-PY-0002

SHEET NO.: 32 OF 46

REV.: D04

BUDGET REF.: 053-073-9184

LOCATION: F

SIZE: 4

CLASS: S

SERIAL NO.: 707654

SHEET: 32

REVISION: D04

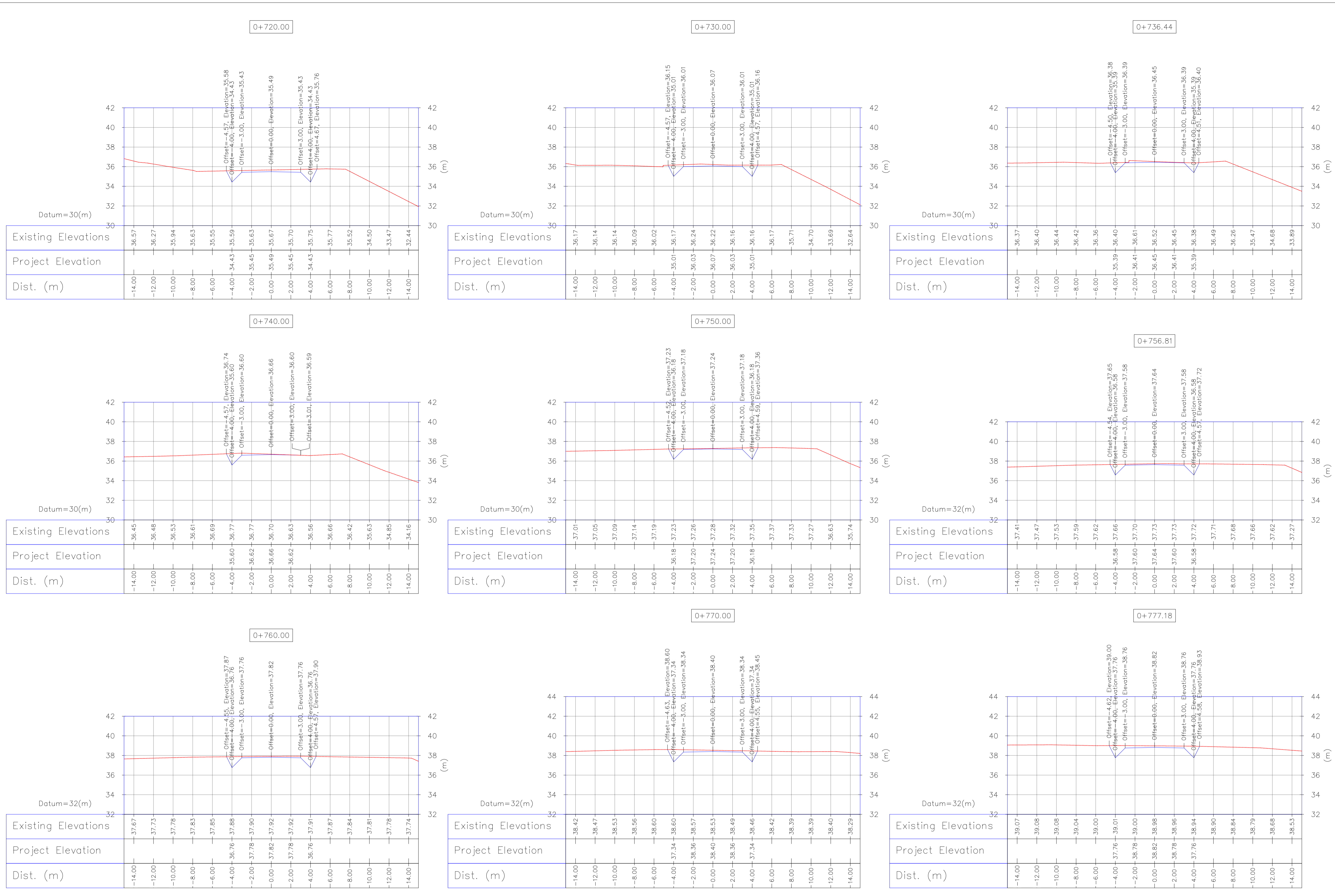
THE ORIGINAL AND ALL COPIES OF THIS DRAWING TOGETHER WITH THE COPYRIGHT THEREIN ARE THE SOLE PROPERTY OF N.I.S.O.C./ FIELDS

BINAK OILFIELD DEVELOPMENT SUB-SURFACE WORK PACKAGES W046S WELLHEAD FACILITIES

DATE	SCALE	DRAWING BY	CHECKED BY	PROJECT ENG.

NO CONSTRUCTION PERMITTED UNLESS DRAWING APPROVED

APPROVED FOR CONSTRUCTION BY: DATE:



NOTES

- ALL COORDINATES AND ELEVATIONS ARE IN METER.
- ALL DRAWINGS SHALL BE CHECKED BY CONTRACTOR WITH RELATIVE DRAWINGS BEFORE CONSTRUCTION.
- GEODETIC PARAMETERS FOR COORDINATES ARE AS BELOW:
 HORIZONTAL COORDINATE SYSTEM: WGS84/UTM ZONE 39
 ELLIPSOID: WORLD GEODETIC SYSTEM 1984 (WGS84)
 MAP PROJECTION: UNIVERSAL TRANSVERSE MERCATOR (UTM)
 VERTICAL DATUM: MSL.
- THE SUITABLE MATERIAL FOR FILLING SHALL BE COLLECTED BASED ON TO THE BELOW RULES:
 - PROJECT GEOTECHNICAL INVESTIGATION REPORT, BORROW MATERIALS AND SPECIFICATION STUDY PART.
 - "GENERAL SPECIFICATION FOR ROAD" NO. 101, SECTION 207, ROAD PLANNING AND BUDGET ORGANIZATION.
 - PROJECT GENERAL SPECIFICATION "SPECIFICATION FOR EARTH WORK" DOCUMENT NUMBER "BK-GNRL-PEDCO-000-CV-SP-0004".
 - GEOTECHNICAL REPORTS AND CLIENT'S SITE SUPERVISORY BODY RECOMMENDATIONS AND APPROVALS.
- BEFORE ANY EARTH WORK ACTIVITIES (CUT OR FILL), TOP AND UNSUITABLE SOIL (MARN...) SHALL BE REMOVED AS GEOTECHNICAL RECOMMENDATION AND SUPERVISOR'S REQUIREMENTS.

LEGEND

	WELL LOCATION		CANAL
	WELL		RIVER
	SITE		WATER COURSE
	CAMP SITE		CONTOURS
	ASPHALT ROAD		SPOT HEIGHT
	GRAVEL ROAD		BENCH MARK
	PROPOSED ROAD		BRIDGE
	DAYLIGHT		CULVERT

REFERENCE DRAWING

General Civil Layout - W046S	DRG. No.
Rough Grading Plans - W046S	BK-W046S-PEDCO-110-CV-PY-0001
Standard Drawing For Culvert & Details	BK-GNRL-PEDCO-000-CV-DW-0014
Specification For Road & Paving	BK-GNRL-PEDCO-000-CV-SP-0002
Standard Drawing For Slope Protection Details	BK-GNRL-PEDCO-000-CV-DW-0002
Specification For Earth Work	BK-GNRL-PEDCO-000-CV-SP-0004
Standard Pipe Support Drawings	BK-SGRSL-PEDCO-110-PI-DW-0001

ABBREVIATION

PT= POINT
 PVI= POINT OF VERTICAL INTERSECTION
 LVC= LENGTH OF VERTICAL CURVE
 BVCS= BEGN OF VERTICAL CURVE STATION
 BVCE= BEGN OF VERTICAL CURVE ELEVATION
 EVCS= END OF VERTICAL CURVE STATION
 EVCE= END OF VERTICAL CURVE ELEVATION

KEY PLAN

1:200 Wellpad Access Road Transversal Sections

Bench Mark List

Name	Easting(m)	Northing(m)	Elevation(m)
BM46	434828.378	3295176.513	27.976
BM47	434927.199	3294904.707	30.435
GPS3	435475.041	3294403.599	66.867
GPS1	435686.115	3294303.397	78.025

REV.	DATE	DESCRIPTION	BY	DATE	BY	DATE
D04	MAY.2023	AFC	R. BERLOUEI	M.PAKHARIAN	A.M.MOHSSENI	***
D03	DEC.2022	IFA	R. BERLOUEI	M.PAKHARIAN	M.MEHRSHAD	***
D02	SEP.2022	IFA	R. BERLOUEI	M.PAKHARIAN	M.MEHRSHAD	***
D01	JUL.2022	IFA	R. BERLOUEI	M.PAKHARIAN	M.MEHRSHAD	***
D00	MAY.2022	IFC	R. BERLOUEI	M.PAKHARIAN	M.MEHRSHAD	***
REV.	DATE	P.O.I.S	PREP.	CHK.	APP.	AUT.

PROJECT NAME: BINAK OILFIELD DEVELOPMENT/SUB-SURFACE WORK PACKAGES W046S WELLHEAD FACILITIES

PROJECT NO.: 971020

EPC CONTRACTOR: HIRGAN ENERGY - DESIGN & INSPECTION COMPANIES

EPD/EPC CONTRACTOR(GC): PETROIRAN DEVELOPMENT COMPANY

DRAWING TITLE: CIVIL AND STRUCTURAL DRAWINGS-W046S ACCESS ROAD TRANSVERSAL SECTIONS KM 720 ~ 777.18(m)

SCALE: AS SHOWN

DRAWING NO. BK-W046S-PEDCO-110-CV-PY-0002

SHEET NO. 33 OF 46

REV. D04

BUDGET REF. 053-073-9184

LOCATION F

SIZE 4

CLASS S

SERIAL NO. 707654

SHEET 33

REVISION D04

اسم و کلیه نسخ این نقشه و حق انفاص متعلق به شرکت ملی مناطق نفت خیز جنوب میباشد.

THE ORIGINAL AND ALL COPIES OF THIS DRAWING TOGETHER WITH THE COPYRIGHT THEREIN ARE THE SOLE PROPERTY OF N.I.S.O.C./ FIELDS

BINAK OILFIELD DEVELOPMENT SUB-SURFACE WORK PACKAGES W046S WELLHEAD FACILITIES

DATE	SCALE	DRAWING BY	CHECKED BY	PROJECT ENG.

NO CONSTRUCTION PERMITTED UNLESS DRAWING APPROVED

APPROVED FOR CONSTRUCTION BY: DATE:

Totally Revised



NOTES

- ALL COORDINATES AND ELEVATIONS ARE IN METER.
- ALL DRAWINGS SHALL BE CHECKED BY CONTRACTOR WITH RELATIVE DRAWINGS BEFORE CONSTRUCTION.
- GEODETIC PARAMETERS FOR COORDINATES ARE AS BELOW:
 HORIZONTAL COORDINATE SYSTEM: WGS84/UTM ZONE 39
 ELLIPSOID: WORLD GEODETIC SYSTEM 1984 (WGS84)
 MAP PROJECTION: UNIVERSAL TRANSVERSE MERCATOR (UTM)
 VERTICAL DATUM: MSL.
- THE SUITABLE MATERIAL FOR FILLING SHALL BE COLLECTED BASED ON TO THE BELOW RULES:
 - PROJECT GEOTECHNICAL INVESTIGATION REPORT, BORROW MATERIALS AND SPECIFICATION STUDY PART.
 - "GENERAL SPECIFICATION FOR ROAD" NO. 101, SECTION 207,
 IRAN PLANNING AND BUDGET ORGANIZATION.
 - PROJECT GENERAL SPECIFICATION "SPECIFICATION FOR EARTH WORK" DOCUMENT NUMBER "BK-GNRL-PEDCO-000-CV-SP-0004".
 - GEOTECHNICAL REPORTS AND CLIENT'S SITE SUPERVISORY BODY RECOMMENDATIONS AND APPROVALS.
- BEFORE ANY EARTH WORK ACTIVITIES (CUT OR FILL), TOP AND UNSUITABLE SOIL (MARN,...) SHALL BE REMOVED AS GEOTECHNICAL RECOMMENDATION AND SUPERVISOR'S REQUIREMENTS.

LEGEND

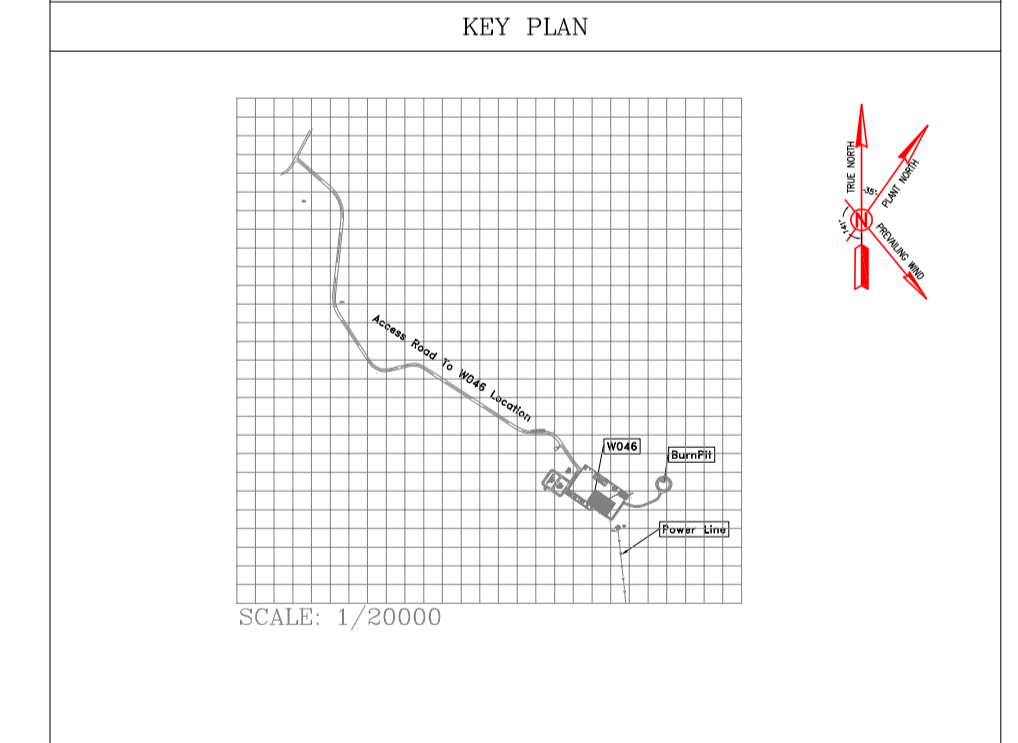
	WELL LOCATION		CANAL
	WELL		RIVER
	SITE		WATER COURSE
	CAMP SITE		CONTOURS
	ASPHALT ROAD		SPOT HEIGHT
	GRAVEL ROAD		BENCH MARK
	PROPOSED ROAD		BRIDGE
	DAYLIGHT		CULVERT

REFERENCE DRAWING

REFERENCE DRAWING	DRG. No.
General Civil Layout - W046S	BK-W046S-PEDCO-110-CV-PY-0001
Rough Grading Plans - W046S	BK-W046S-PEDCO-110-CV-DW-0001
Standard Drawing For Culvert & Details	BK-GNRL-PEDCO-000-CV-DW-0014
Specification For Road & Paving	BK-GNRL-PEDCO-000-CV-SP-0002
Standard Drawing For Slope Protection Details	BK-GNRL-PEDCO-000-CV-DW-0002
Specification For Earth Work	BK-GNRL-PEDCO-000-CV-SP-0004
Standard Pipe Support Drawings	BK-SRGL-PEDCO-110-PI-DW-0001

ABBREVIATION

PT= POINT
 PVI= POINT OF VERTICAL INTERSECTION
 LVC= LENGTH OF VERTICAL CURVE
 EVCS= BEGIN OF VERTICAL CURVE STATION
 BVCE= BEGIN OF VERTICAL CURVE ELEVATION
 EVCS= END OF VERTICAL CURVE STATION
 BVCE= END OF VERTICAL CURVE ELEVATION



1:200 Wellpad Access Road Transversal Sections

Bench Mark List

Name	Easting(m)	Northing(m)	Elevation(m)
BM46	434828.378	3295176.513	27.976
BM47	434927.199	3294904.707	30.435
GPS3	435475.041	3294403.599	66.867
GPS1	435686.115	3294303.397	78.025

REV.	DATE	DESCRIPTION	BY	DATE	BY	DATE
D04	MAY.2023	AFC	R. BERLOUEI	M.PAKHARIAN	A.M.MOHSSENI	***
D03	DEC.2022	IFA	R. BERLOUEI	M.PAKHARIAN	M.MEHRSHAD	***
D02	SEP.2022	IFA	R. BERLOUEI	M.PAKHARIAN	M.MEHRSHAD	***
D01	JUL.2022	IFA	R. BERLOUEI	M.PAKHARIAN	M.MEHRSHAD	***
D00	MAY.2022	IFC	R. BERLOUEI	M.PAKHARIAN	M.MEHRSHAD	***
REV.	DATE	P.O.I.S	PREP.	CHK.	APP.	AUT.

PROJECT NAME: BINAK OILFIELD DEVELOPMENT/SUB-SURFACE WORK PACKAGES W046S WELLHEAD FACILITIES

PROJECT NO.: 971020

EPC CONTRACTOR: HIRGAN ENERGY - DESIGN & INSPECTION COMPANIES

EPD/EPC CONTRACTOR(GC): PETROIRAN DEVELOPMENT COMPANY

DRAWING TITLE: CIVIL AND STRUCTURAL DRAWINGS-W046S ACCESS ROAD TRANSVERSAL SECTIONS KM 760 ~860(m)

SCALE: AS SHOWN

DRAWING NO: BK-W046S-PEDCO-110-CV-PY-0002

SHEET NO: 34 OF 46

REV: D04

BUDGET REF: 053-073-9184

LOCATION: F

SIZE: 4

CLASS: S

SERIAL NO: 707654

SHEET: 34

REVISION: D04

اسم و کلیه نسخ این نقشه و حق اقتباس متعلق به شرکت ملی مناطق نفت خیز جنوب میباشد.

THE ORIGINAL AND ALL COPIES OF THIS DRAWING TOGETHER WITH THE COPYRIGHT THEREIN ARE THE SOLE PROPERTY OF N.I.S.O.C./ FIELDS

NO CONSTRUCTION PERMITTED UNLESS DRAWING APPROVED

APPROVED FOR CONSTRUCTION BY: DATE:

D04
Totally Revised



1:200 Wellpad Access Road Transversal Sections

NOTES

- ALL COORDINATES AND ELEVATIONS ARE IN METER.
- ALL DRAWINGS SHALL BE CHECKED BY CONTRACTOR WITH RELATIVE DRAWINGS BEFORE CONSTRUCTION.
- GEODETIC PARAMETERS FOR COORDINATES ARE AS BELOW:
 HORIZONTAL COORDINATE SYSTEM: WGS84/UTM ZONE 39
 ELLIPSOID: WORLD GEODETIC SYSTEM 1984 (WGS84)
 MAP PROJECTION: UNIVERSAL TRANSVERSE MERCATOR (UTM)
 VERTICAL DATUM: MSL
- THE SUITABLE MATERIAL FOR FILLING SHALL BE COLLECTED BASED ON TO THE BELOW RULES:
 - PROJECT GEOTECHNICAL INVESTIGATION REPORT, BORROW MATERIALS AND SPECIFICATION STUDY PART.
 - "GENERAL SPECIFICATION FOR ROAD" NO. 101, SECTION 207,
 - "GENERAL SPECIFICATION FOR ROAD" NO. 101, SECTION 207,
 - PROJECT GENERAL SPECIFICATION "SPECIFICATION FOR EARTH WORK"
 - DOCUMENT NUMBER "BK-GNRL-PEDCO-000-CV-SP-0004".
 - GEOTECHNICAL REPORTS AND CLIENT'S SITE SUPERVISORY BODY RECOMMENDATIONS AND APPROVALS.
- BEFORE ANY EARTH WORK ACTIVITIES (CUT OR FILL), TOP AND UNSUITABLE SOIL (MARN...) SHALL BE REMOVED AS GEOTECHNICAL RECOMMENDATION AND SUPERVISOR'S REQUIREMENTS.

LEGEND

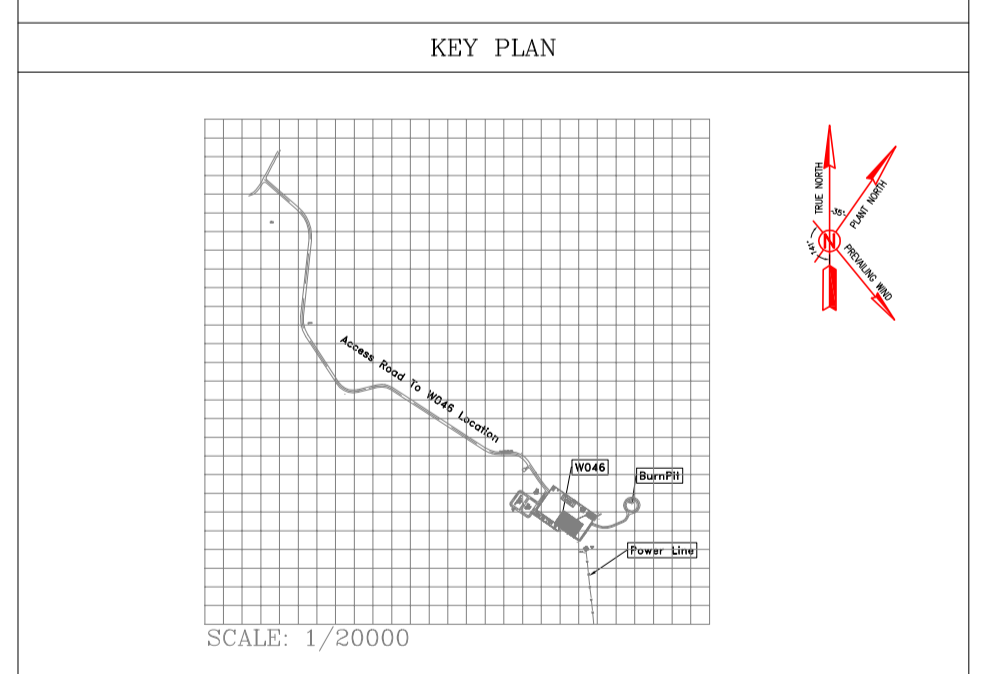
	WELL LOCATION		CANAL
	WELL		RIVER
	SITE		WATER COURSE
	CAMP SITE		CONTOURS
	ASPHALT ROAD		SPOT HEIGHT
	GRAVEL ROAD		BENCH MARK
	PROPOSED ROAD		BRIDGE
	DAYLIGHT		CULVERT

REFERENCE DRAWING

General Civil Layout - W046S	DRG. No.
Rough Grading Plans - W046S	BK-W046S-PEDCO-110-CV-PY-0001
Standard Drawing For Culvert & Details	BK-GNRL-PEDCO-000-CV-DW-0014
Specification For Road & Paving	BK-GNRL-PEDCO-000-CV-SP-0002
Standard Drawing For Slope Protection Details	BK-GNRL-PEDCO-000-CV-DW-0002
Specification For Earth Work	BK-GNRL-PEDCO-000-CV-SP-0004
Standard Pipe Support Drawings	BK-SGRSL-PEDCO-110-PI-DW-0001

ABBREVIATION

PT= POINT
 PVI= POINT OF VERTICAL INTERSECTION
 LVC= LENGTH OF VERTICAL CURVE
 BVCS= BEGIN OF VERTICAL CURVE STATION
 BVCE= BEGIN OF VERTICAL CURVE ELEVATION
 EVCS= END OF VERTICAL CURVE STATION
 EVCE= END OF VERTICAL CURVE ELEVATION



REV.	DATE	DESCRIPTION	BY	DATE	BY	DATE
D04	MAY.2023	AFC	R. BERLOUEI	M.PAKHARIAN	A.M.MOHSSENI	***
D03	DEC.2022	IFA	R. BERLOUEI	M.PAKHARIAN	M.MEHRSHAD	***
D02	SEP.2022	IFA	R. BERLOUEI	M.PAKHARIAN	M.MEHRSHAD	***
D01	JUL.2022	IFA	R. BERLOUEI	M.PAKHARIAN	M.MEHRSHAD	***
D00	MAY.2022	IFC	R. BERLOUEI	M.PAKHARIAN	M.MEHRSHAD	***
REV.	DATE	P.O.I.S	PREP.	CHK.	APP.	AUT.

PROJECT NAME: BINAK OILFIELD DEVELOPMENT/SUB-SURFACE WORK PACKAGES W046S WELLHEAD FACILITIES

PROJECT NO.: 971020

EPC CONTRACTOR: HIRGAN ENERGY - DESIGN & INSPECTION COMPANIES

EPD/EPC CONTRACTOR(GC): PETROIRAN DEVELOPMENT COMPANY

DRAWING TITLE: CIVIL AND STRUCTURAL DRAWINGS-W046S ACCESS ROAD TRANSVERSAL SECTIONS KM 960 ~1040(m)

SCALE: AS SHOWN

DRAWING NO.: BK-W046S-PEDCO-110-CV-PY-0002

SHEET NO.: 36 OF 46

REV.: D04

BUDGET REF.: 053-073-9184

LOCATION: F

SIZE: 4

CLASS: S

SERIAL NO.: 707654

SHEET: 36

REVISION: D04

Bench Mark List

Name	Easting(m)	Northing(m)	Elevation(m)
BM46	434828.378	3295176.513	27.976
BM47	434927.199	3294904.707	30.435
GPS3	435475.041	3294403.599	66.867
GPS1	435686.115	3294303.397	78.025

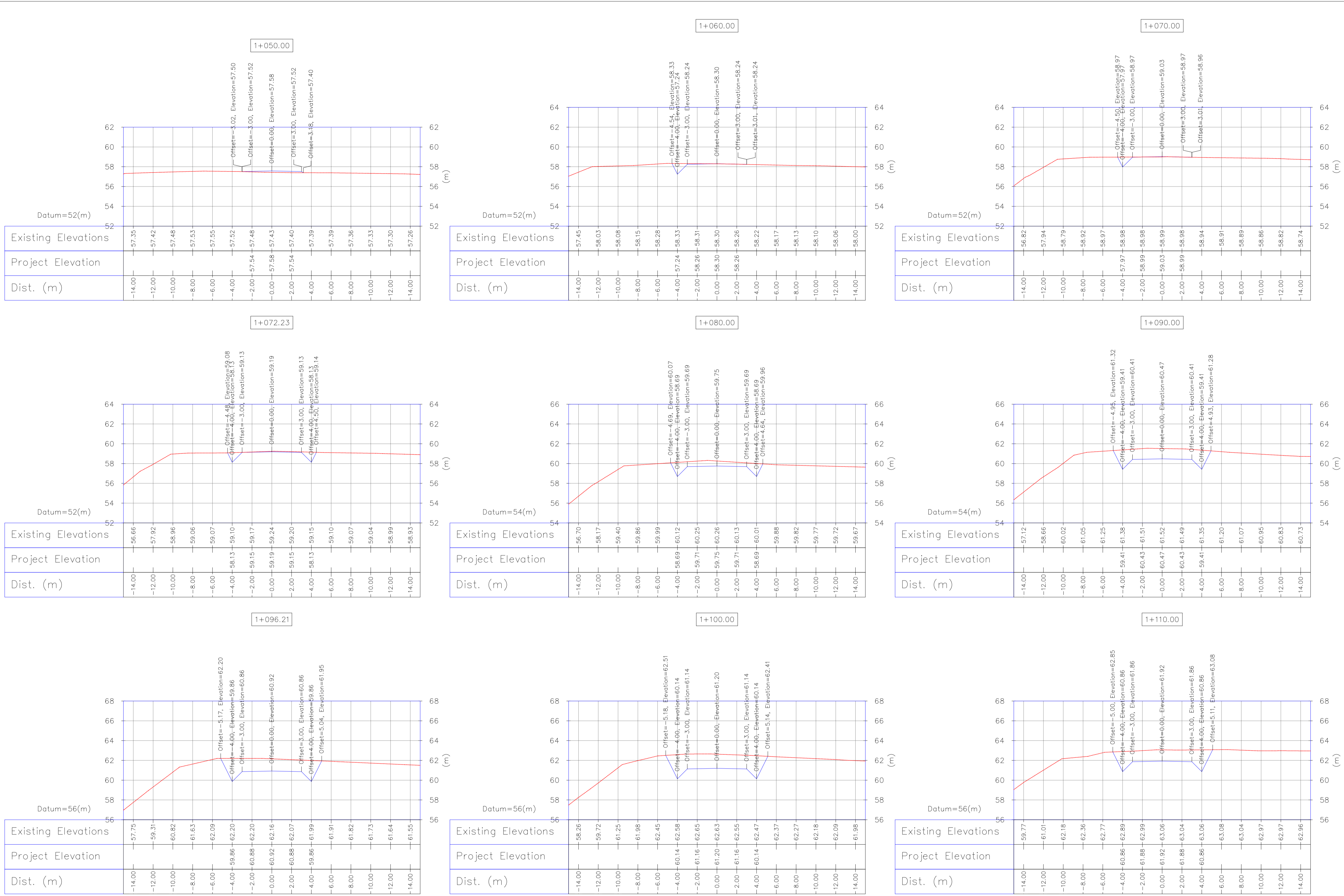
Totally Revised

THE ORIGINAL AND ALL COPIES OF THIS DRAWING TOGETHER WITH THE COPYRIGHT THEREIN ARE THE SOLE PROPERTY OF N.I.S.O.C./ FIELDS

BINAK OILFIELD DEVELOPMENT SUB-SURFACE WORK PACKAGES W046S WELLHEAD FACILITIES

NO CONSTRUCTION PERMITTED UNLESS DRAWING APPROVED

APPROVED FOR CONSTRUCTION BY: DATE:



1:200 Wellpad Access Road Transversal Sections

- NOTES**
- ALL COORDINATES AND ELEVATIONS ARE IN METER.
 - ALL DRAWINGS SHALL BE CHECKED BY CONTRACTOR WITH RELATIVE DRAWINGS BEFORE CONSTRUCTION.
 - GEODETIC PARAMETERS FOR COORDINATES ARE AS BELOW:
 HORIZONTAL COORDINATE SYSTEM: WGS84/UTM ZONE 39
 ELLIPSOID: WORLD GEODETIC SYSTEM 1984 (WGS84)
 MAP PROJECTION: UNIVERSAL TRANSVERSE MERCATOR (UTM)
 VERTICAL DATUM: MSL.
 - THE SUITABLE MATERIAL FOR FILLING SHALL BE COLLECTED BASED ON TO THE BELOW RULES:
 - PROJECT GEOTECHNICAL INVESTIGATION REPORT, BORROW MATERIALS AND SPECIFICATION STUDY PART.
 - "GENERAL SPECIFICATION FOR ROAD" NO. 101, SECTION 207,
 "ROAD PLANNING AND BUDGET ORGANIZATION"
 - PROJECT GENERAL SPECIFICATION "SPECIFICATION FOR EARTH WORK"
 DOCUMENT NUMBER "BK-GNRL-PEDCO-000-CV-SP-0004".
 - GEOTECHNICAL REPORTS AND CLIENT'S SITE SUPERVISORY BODY RECOMMENDATIONS AND APPROVALS.
 - BEFORE ANY EARTH WORK ACTIVITIES (CUT OR FILL), TOP AND UNSUITABLE SOIL (MARN...) SHALL BE REMOVED AS GEOTECHNICAL RECOMMENDATION AND SUPERVISOR'S REQUIREMENTS.

LEGEND

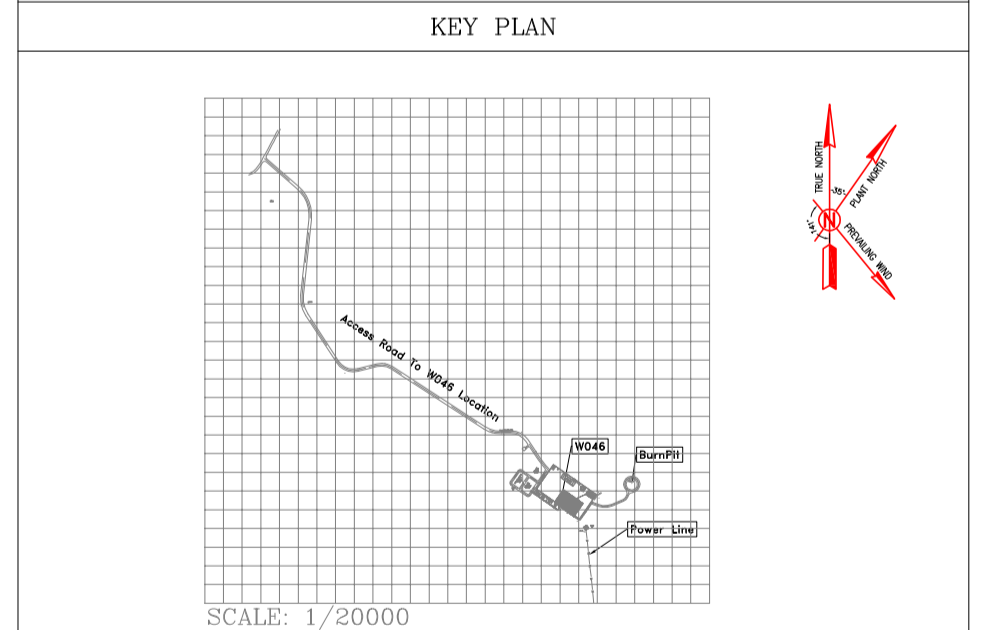
	WELL LOCATION		CANAL
	WELL		RIVER
	SITE		WATER COURSE
	CAMP SITE		CONTOURS
	ASPHALT ROAD		SPOT HEIGHT
	GRAVEL ROAD		BENCH MARK
	PROPOSED ROAD		BRIDGE
	DAYLIGHT		CULVERT

REFERENCE DRAWING

REFERENCE DRAWING	DRG. No.
General Civil Layout - W046S	BK-W046S-PEDCO-110-CV-PY-0001
Rough Grading Plans - W046S	BK-W046S-PEDCO-110-CV-DW-0001
Standard Drawing For Culvert & Details	BK-GNRL-PEDCO-000-CV-DW-0014
Specification For Road & Paving	BK-GNRL-PEDCO-000-CV-SP-0002
Standard Drawing For Slope Protection Details	BK-GNRL-PEDCO-000-CV-DW-0002
Specification For Earth Work	BK-GNRL-PEDCO-000-CV-SP-0004
Standard Pipe Support Drawings	BK-SGRSL-PEDCO-110-PI-DW-0001

ABBREVIATION

PT= POINT
 PVI= POINT OF VERTICAL INTERSECTION
 LVC= LENGTH OF VERTICAL CURVE
 BVCS= BEGN OF VERTICAL CURVE STATION
 BVCE= BEGN OF VERTICAL CURVE ELEVATION
 EVCS= END OF VERTICAL CURVE STATION
 EVCE= END OF VERTICAL CURVE ELEVATION



REV.	DESCRIPTION	BY	DATE	BY	DATE
D04	MAY.2023	AFC		R. BERLOUEI	M.PAKHARIAN
D03	DEC.2022	IFA		R. BERLOUEI	M.PAKHARIAN
D02	SEP.2022	IFA		R. BERLOUEI	M.PAKHARIAN
D01	JUL.2022	IFA		R. BERLOUEI	M.PAKHARIAN
D00	MAY.2022	IFC		R. BERLOUEI	M.PAKHARIAN
REV.	DATE	P.O.I.S	PREP.	CHK.	APP.

PROJECT NAME: BINAK OILFIELD DEVELOPMENT/SUB-SURFACE WORK PACKAGES W046S WELLHEAD FACILITIES

PROJECT NO.: 971020

EPC CONTRACTOR: HIRGAN ENERGY - DESIGN & INSPECTION COMPANIES

EPD/EPC CONTRACTOR(GC): PETROIRAN DEVELOPMENT COMPANY

DRAWING TITLE: CIVIL AND STRUCTURAL DRAWINGS-W046S ACCESS ROAD TRANSVERSAL SECTIONS KM 1050 ~1110(m)

SCALE: AS SHOWN (AI)

DRAWING NO.: BK-W046S-PEDCO-110-CV-PY-0002

SHEET NO.: 37 OF 46

REV.: D04

BUDGET REF. LOCATION SIZE CLASS SERIAL NO. SHEET REVISION: 053-073-9184 F 4 S 707654 37 D04

Bench Mark List

Name	Easting(m)	Northing(m)	Elevation(m)
BM46	434828.378	3295176.513	27.976
BM47	434927.199	3294904.707	30.435
GPS3	435475.041	3294403.599	66.867
GPS1	435686.115	3294303.397	78.025

Totally Revised

THE ORIGINAL AND ALL COPIES OF THIS DRAWING TOGETHER WITH THE COPYRIGHT THEREIN ARE THE SOLE PROPERTY OF N.I.S.O.C./ FIELDS

BINAK OILFIELD DEVELOPMENT SUB-SURFACE WORK PACKAGES W046S WELLHEAD FACILITIES

NO CONSTRUCTION PERMITTED UNLESS DRAWING APPROVED

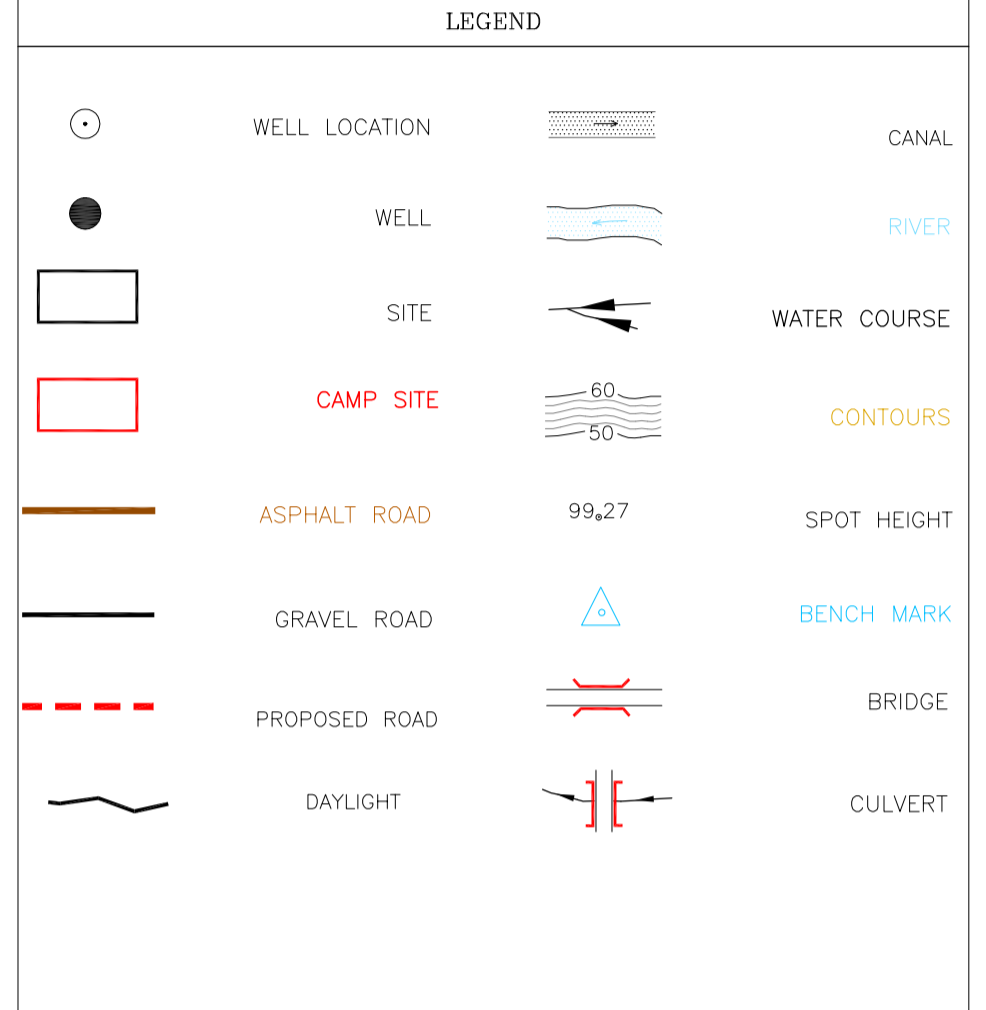
APPROVED FOR CONSTRUCTION BY: DATE:



1:200 Wellpad Access Road Transversal Sections

NOTES

- ALL COORDINATES AND ELEVATIONS ARE IN METER.
- ALL DRAWINGS SHALL BE CHECKED BY CONTRACTOR WITH RELATIVE DRAWINGS BEFORE CONSTRUCTION.
- GEODETIC PARAMETERS FOR COORDINATES ARE AS BELOW:
HORIZONTAL COORDINATE SYSTEM: WGS84/UTM ZONE 39
ELLIPSOID: WORLD GEODETIC SYSTEM 1984 (WGS84)
MAP PROJECTION: UNIVERSAL TRANSVERSE MERCATOR (UTM)
VERTICAL DATUM: MSL.
- THE SUITABLE MATERIAL FOR FILLING SHALL BE COLLECTED BASED ON TO THE BELOW RULES:
- PROJECT GEOTECHNICAL INVESTIGATION REPORT, BORROW MATERIALS AND SPECIFICATION STUDY PART.
- "GENERAL SPECIFICATION FOR ROAD" NO. 101, SECTION 207,
- "GENERAL SPECIFICATION FOR ROAD" NO. 101, SECTION 207,
- "GENERAL SPECIFICATION FOR ROAD" NO. 101, SECTION 207,
- PROJECT GENERAL SPECIFICATION "SPECIFICATION FOR EARTH WORK"
DOCUMENT NUMBER "BK-GNRL-PEDCO-000-CV-SP-0004".
- GEOTECHNICAL REPORTS AND CLIENT'S SITE SUPERVISORY BODY RECOMMENDATIONS AND APPROVALS.
- BEFORE ANY EARTH WORK ACTIVITIES (CUT OR FILL), TOP AND UNSUITABLE SOIL (MARN...) SHALL BE REMOVED AS GEOTECHNICAL RECOMMENDATION AND SUPERVISOR'S REQUIREMENTS.

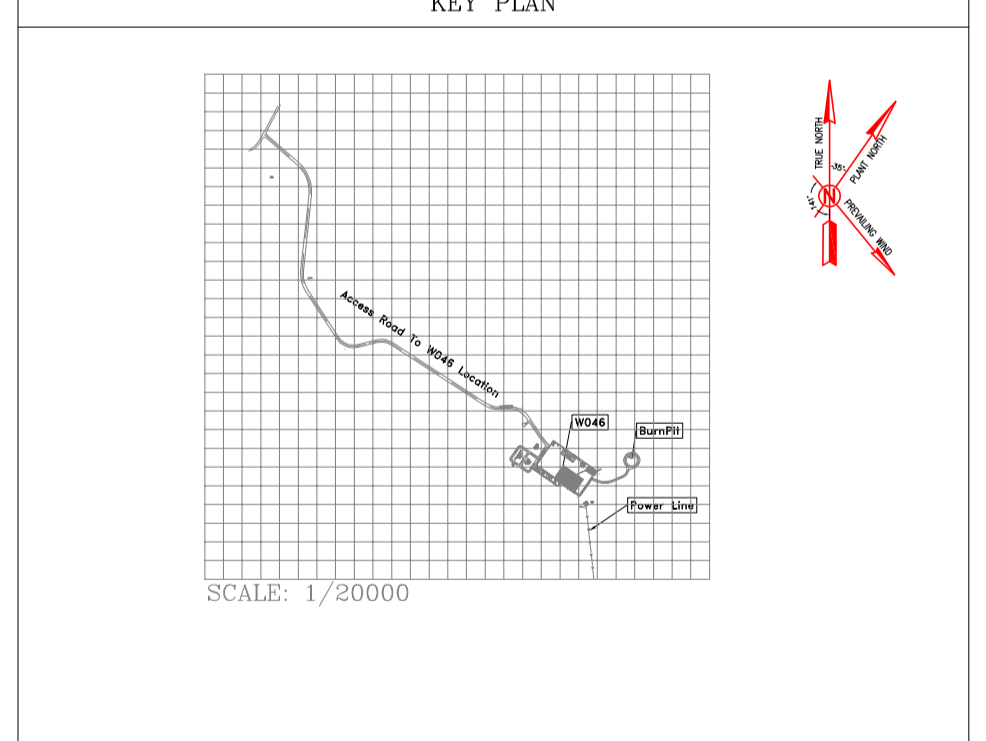


REFERENCE DRAWING

General Civil Layout - W046S	DRG. No.
Rough Grading Plans - W046S	BK-W046S-PEDCO-110-CV-PY-0001
Standard Drawing For Culvert & Details	BK-GNRL-PEDCO-000-CV-DW-0014
Specification For Road & Paving	BK-GNRL-PEDCO-000-CV-SP-0002
Standard Drawing For Slope Protection Details	BK-GNRL-PEDCO-000-CV-DW-0002
Specification For Earth Work	BK-GNRL-PEDCO-000-CV-SP-0004
Standard Pipe Support Drawings	BK-SGRRL-PEDCO-110-PI-DW-0001

ABBREVIATION

PT= POINT
PVI= POINT OF VERTICAL INTERSECTION
LVC= LENGTH OF VERTICAL CURVE
BVCS= BEGN OF VERTICAL CURVE STATION
BVCE= BEGN OF VERTICAL CURVE ELEVATION
EVCS= END OF VERTICAL CURVE STATION
EVCE= END OF VERTICAL CURVE ELEVATION



Bench Mark List

Name	Easting(m)	Northing(m)	Elevation(m)
BM46	434828.378	3295176.513	27.976
BM47	434927.199	3294904.707	30.435
GPS3	435475.041	3294403.599	66.867
GPS1	435686.115	3294303.397	78.025

D04	MAY.2023	AFC	R. BERLOUEI	M.PAKHARHIAN	A.M.MOHSSENI	***
D03	DEC.2022	IFA	R. BERLOUEI	M.PAKHARHIAN	M.MEHRSHAD	***
D02	SEP.2022	IFA	R. BERLOUEI	M.PAKHARHIAN	M.MEHRSHAD	***
D01	JUL.2022	IFA	R. BERLOUEI	M.PAKHARHIAN	M.MEHRSHAD	***
D00	MAY.2022	IFC	R. BERLOUEI	M.PAKHARHIAN	M.MEHRSHAD	***
REV.	DATE	P.O.I.S	PREP.	CHK.	APP.	AUT.

PROJECT NAME: BINAK OILFIELD DEVELOPMENT/SUB-SURFACE WORK PACKAGES W046S WELLHEAD FACILITIES

PROJECT NO.: 971020

EPC CONTRACTOR: HIRGAN ENERGY - DESIGN & INSPECTION COMPANIES

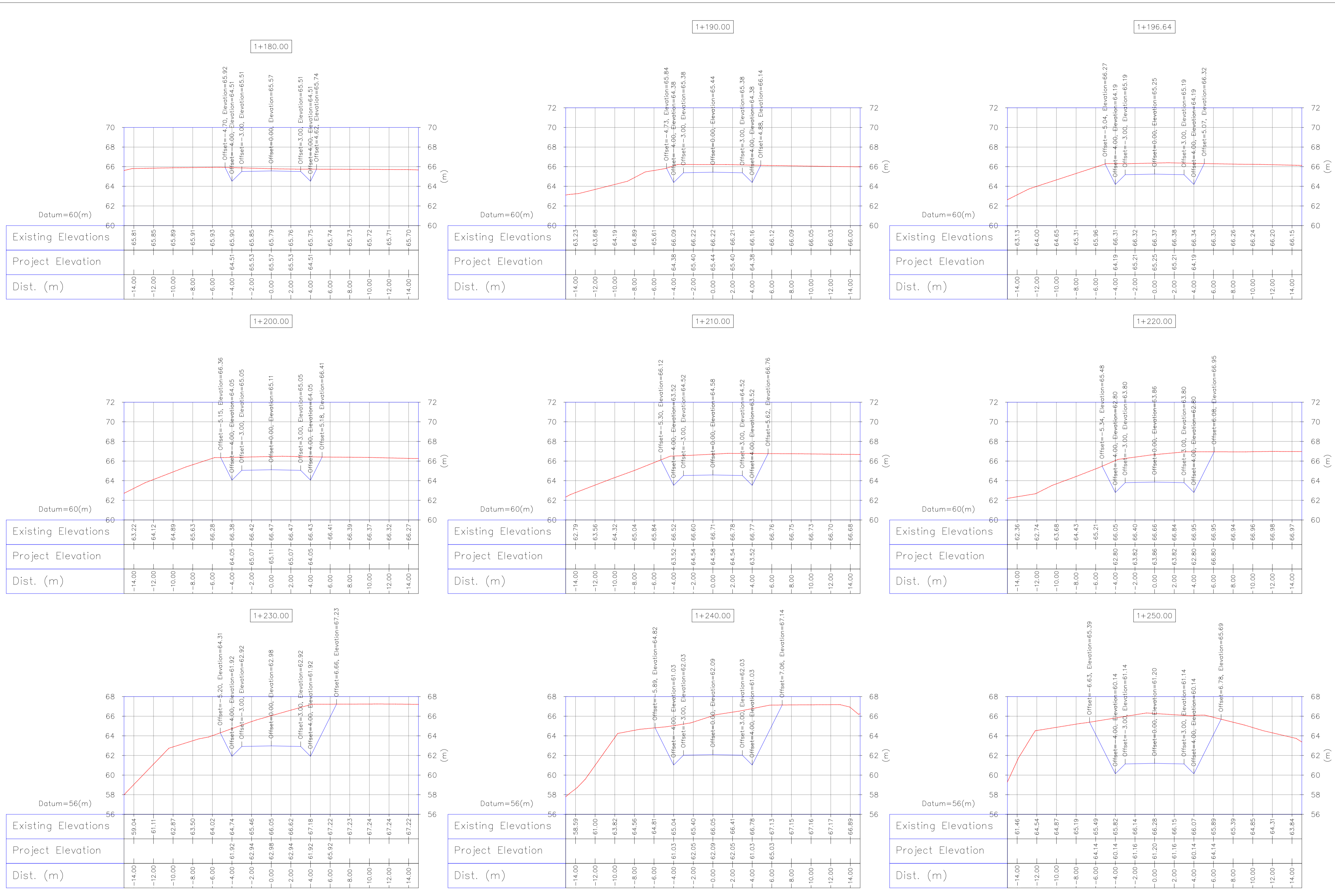
EPD/EPC CONTRACTOR(GC): PETROIRAN DEVELOPMENT COMPANY

DRAWING TITLE: CIVIL AND STRUCTURAL DRAWINGS-W046S ACCESS ROAD TRANSVERSAL SECTIONS KM 1120 ~1171.44(m)

SCALE: SIZE DRAWING NO. SHEET NO. REV. AS SHOWN A1 BK-W046S-PEDCO-110-CV-PY-0002 38 OF 46 D04

REV.	DESCRIPTION	BY	DATE	BY	DATE
***	*****	***	*****	***	*****
CHECKED					
REV. APPR.					
اسم و کلیه نسخ این نقشه و حق اقتباس متعلق به شرکت ملی مناطق نفت خیز جنوب میباشد.					
THE ORIGINAL AND ALL COPIES OF THIS DRAWING TOGETHER WITH THE COPYRIGHT THEREIN ARE THE SOLE PROPERTY OF N.I.S.O.C./ FIELDS					
BINAK OILFIELD DEVELOPMENT SUB-SURFACE WORK PACKAGES W046S WELLHEAD FACILITIES					
DATE	SCALE	DRAWING BY	CHECKED BY	PROJECT ENG.	
NO CONSTRUCTION PERMITTED UNLESS DRAWING APPROVED					
APPROVED FOR CONSTRUCTION	BY:	DATE:			
BUDGET REF.	LOCATION	SIZE	CLASS	SERIAL NO.	SHEET REVISION
053-073-9184	F	4	S	707654	38 D04

D04
Totally Revised



1:200 Wellpad Access Road Transversal Sections

NOTES

- ALL COORDINATES AND ELEVATIONS ARE IN METER.
- ALL DRAWINGS SHALL BE CHECKED BY CONTRACTOR WITH RELATIVE DRAWINGS BEFORE CONSTRUCTION.
- GEODETIC PARAMETERS FOR COORDINATES ARE AS BELOW:
 HORIZONTAL COORDINATE SYSTEM: WGS84/UTM ZONE 39
 ELLIPSOID: WORLD GEODETIC SYSTEM 1984 (WGS84)
 MAP PROJECTION: UNIVERSAL TRANSVERSE MERCATOR (UTM)
 VERTICAL DATUM: MSL.
- THE SUITABLE MATERIAL FOR FILLING SHALL BE COLLECTED BASED ON THE BELOW RULES:
 - PROJECT GEOTECHNICAL INVESTIGATION REPORT, BORROW MATERIALS AND SPECIFICATION STUDY PART.
 - "GENERAL SPECIFICATION FOR ROAD" NO. 101, SECTION 207, ROAD PLANNING AND BUDGET ORGANIZATION.
 - PROJECT GENERAL SPECIFICATION "SPECIFICATION FOR EARTH WORK" DOCUMENT NUMBER "BK-GNRL-PEDCO-000-CV-SP-0004".
 - GEOTECHNICAL REPORTS AND CLIENT'S SITE SUPERVISORY BODY RECOMMENDATIONS AND APPROVALS.
- BEFORE ANY EARTH WORK ACTIVITIES (CUT OR FILL), TOP AND UNSUITABLE SOIL (MARN...) SHALL BE REMOVED AS GEOTECHNICAL RECOMMENDATION AND SUPERVISOR'S REQUIREMENTS.

LEGEND

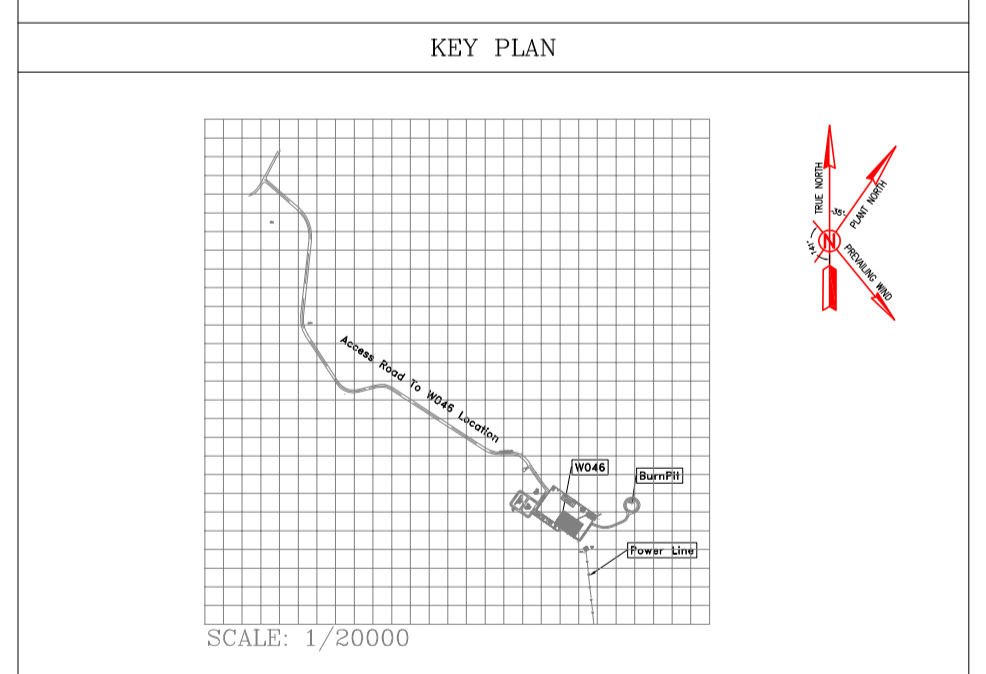
	WELL LOCATION		CANAL
	WELL		RIVER
	SITE		WATER COURSE
	CAMP SITE		CONTOURS
	ASPHALT ROAD		SPOT HEIGHT
	GRAVEL ROAD		BENCH MARK
	PROPOSED ROAD		BRIDGE
	DAYLIGHT		CULVERT

REFERENCE DRAWING

General Civil Layout - W046S	DRG. No.
Rough Grading Plans - W046S	BK-W046S-PEDCO-110-CV-PY-0001
Standard Drawing For Culvert & Details	BK-GNRL-PEDCO-000-CV-DW-0014
Specification For Road & Paving	BK-GNRL-PEDCO-000-CV-SP-0002
Standard Drawing For Slope Protection Details	BK-GNRL-PEDCO-000-CV-DW-0002
Specification For Earth Work	BK-GNRL-PEDCO-000-CV-SP-0004
Standard Pipe Support Drawings	BK-SSRGL-PEDCO-110-PI-DW-0001

ABBREVIATION

PT= POINT
 PVI= POINT OF VERTICAL INTERSECTION
 LVC= LENGTH OF VERTICAL CURVE
 BVCS= BEGN OF VERTICAL CURVE STATION
 BVCE= BEGN OF VERTICAL CURVE ELEVATION
 EVCS= END OF VERTICAL CURVE STATION
 EVCE= END OF VERTICAL CURVE ELEVATION



REV.	DESCRIPTION	BY	DATE	BY	DATE
D04	MAY.2023	AFC		R. BERLOUEI	M.PAKHARIAN
D03	DEC.2022	IFA		R. BERLOUEI	M.MEHRSHAD
D02	SEP.2022	IFA		R. BERLOUEI	M.MEHRSHAD
D01	JUL.2022	IFA		R. BERLOUEI	M.MEHRSHAD
D00	MAY.2022	IFC		R. BERLOUEI	M.MEHRSHAD
REV.	DATE	P.O.I.S	PREP.	CHK.	APP.

PROJECT NAME: BINAK OILFIELD DEVELOPMENT/SUB-SURFACE WORK PACKAGES W046S WELLHEAD FACILITIES

PROJECT NO.: 971020

EPC CONTRACTOR: HIRGAN ENERGY - DESIGN & INSPECTION COMPANIES

EPD/EPC CONTRACTOR(GC): PETROIRAN DEVELOPMENT COMPANY

DRAWING TITLE: CIVIL AND STRUCTURAL DRAWINGS-W046S ACCESS ROAD TRANSVERSAL SECTIONS KM 1180 ~1250(m)

SCALE: AS SHOWN

DRAWING NO.: BK-W046S-PEDCO-110-CV-PY-0002

SHEET NO.: 39 OF 46

REV.: D04

BUDGET REF. LOCATION: 053-073-9184 F

CLASS: 4 S

SERIAL NO.: 707654

SHEET: 39

REVISION: D04

Bench Mark List

Name	Easting(m)	Northing(m)	Elevation(m)
BM46	434828.378	3295176.513	27.976
BM47	434927.199	3294904.707	30.435
GPS3	435475.041	3294403.599	66.867
GPS1	435686.115	3294303.397	78.025

Totally Revised

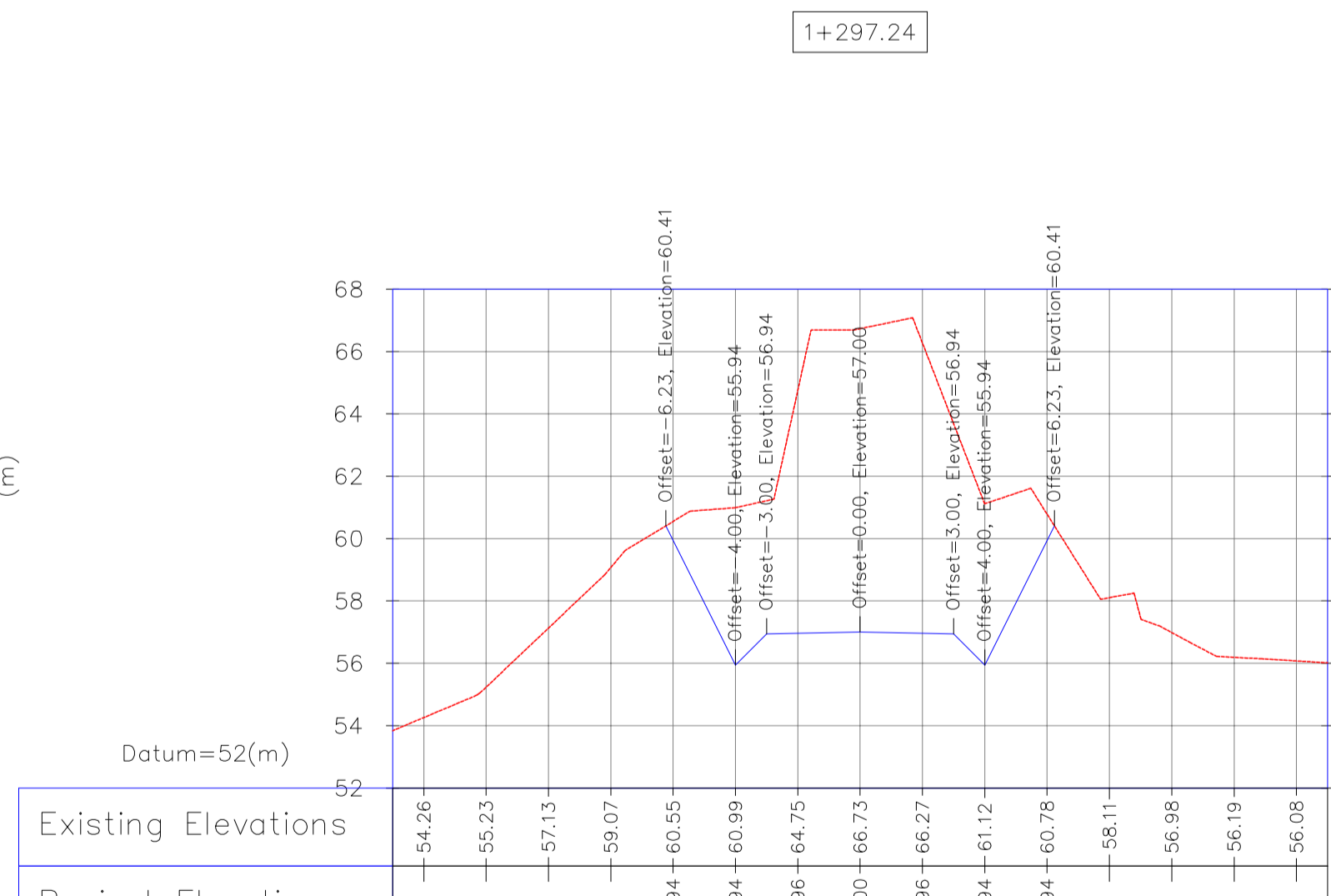
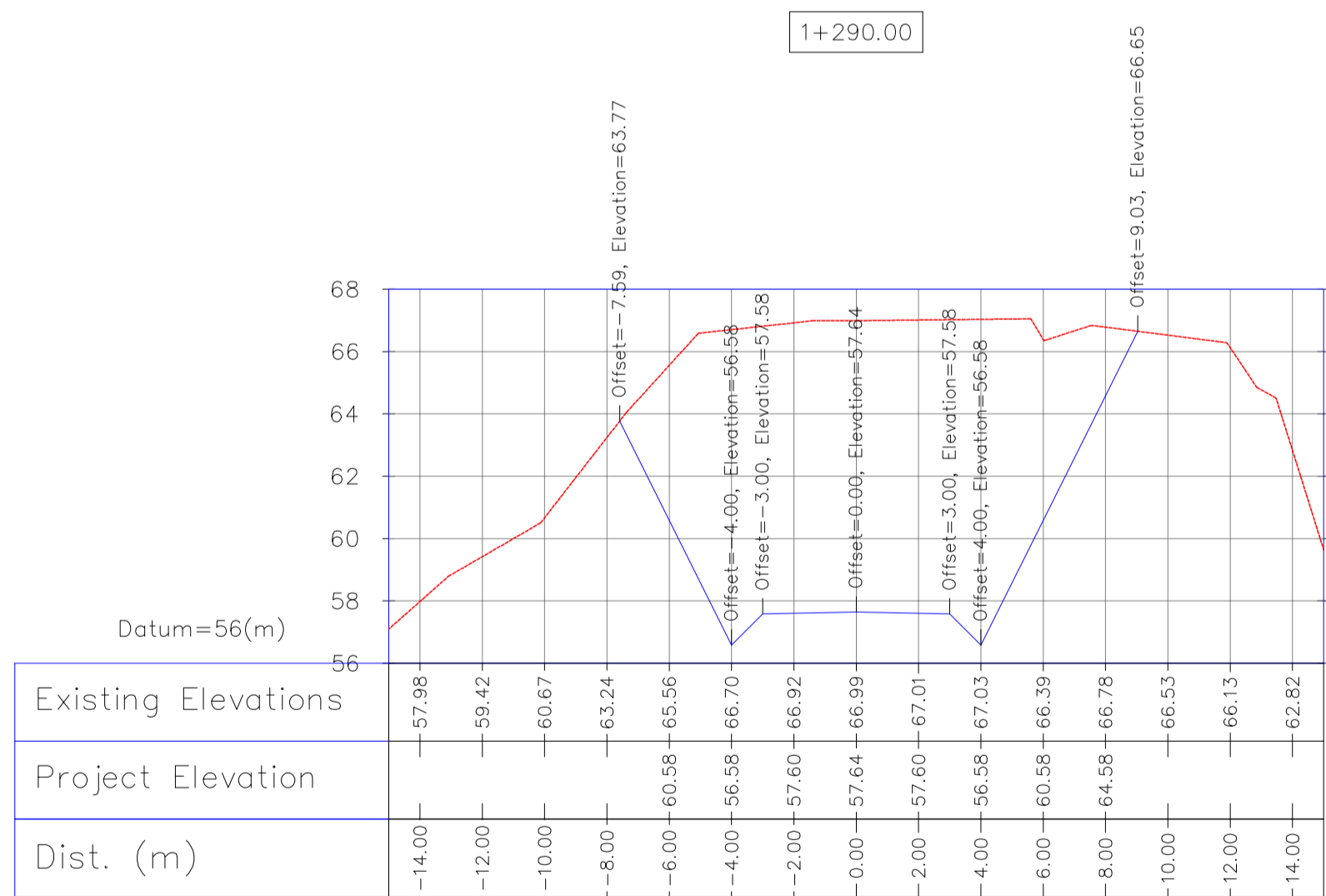
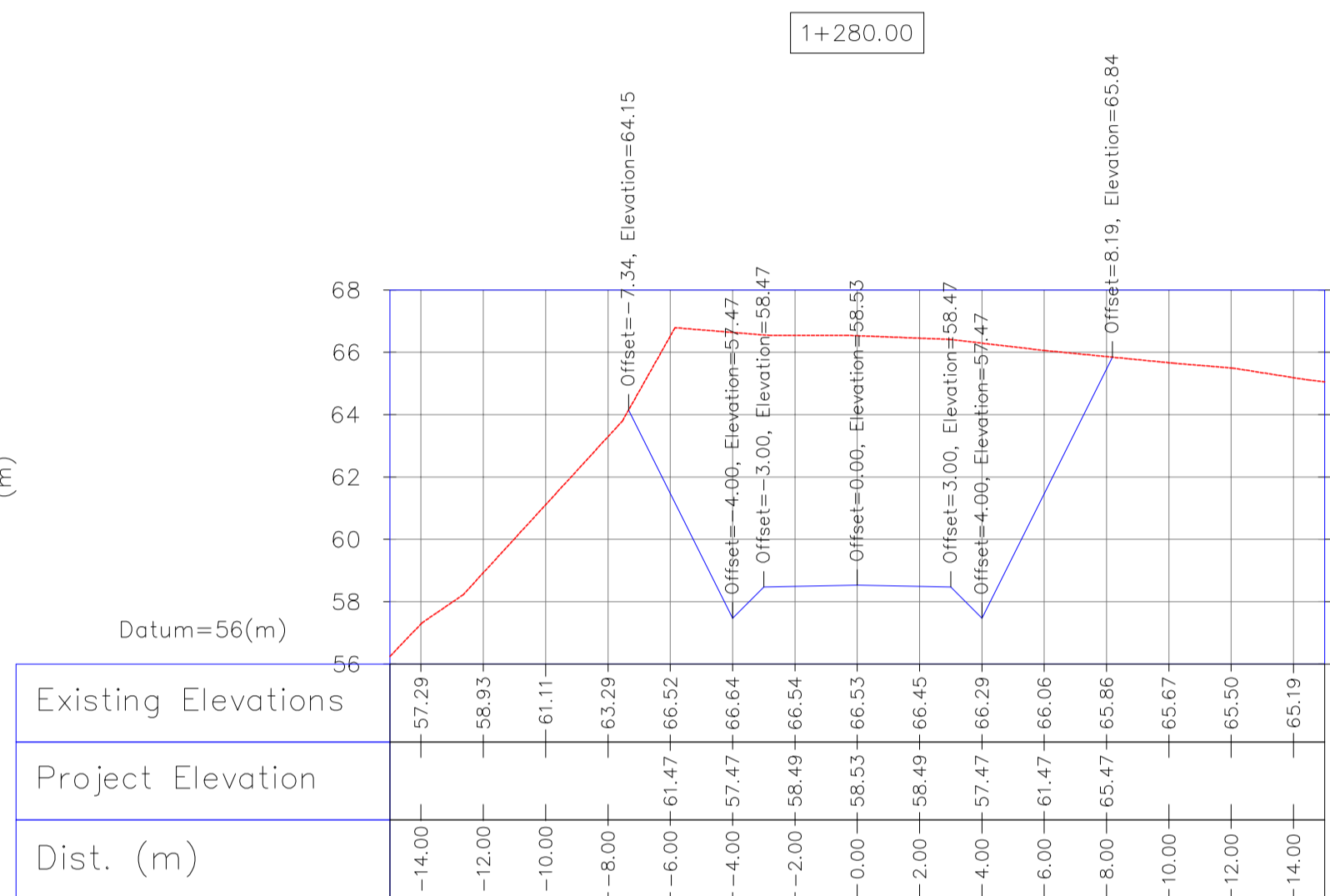
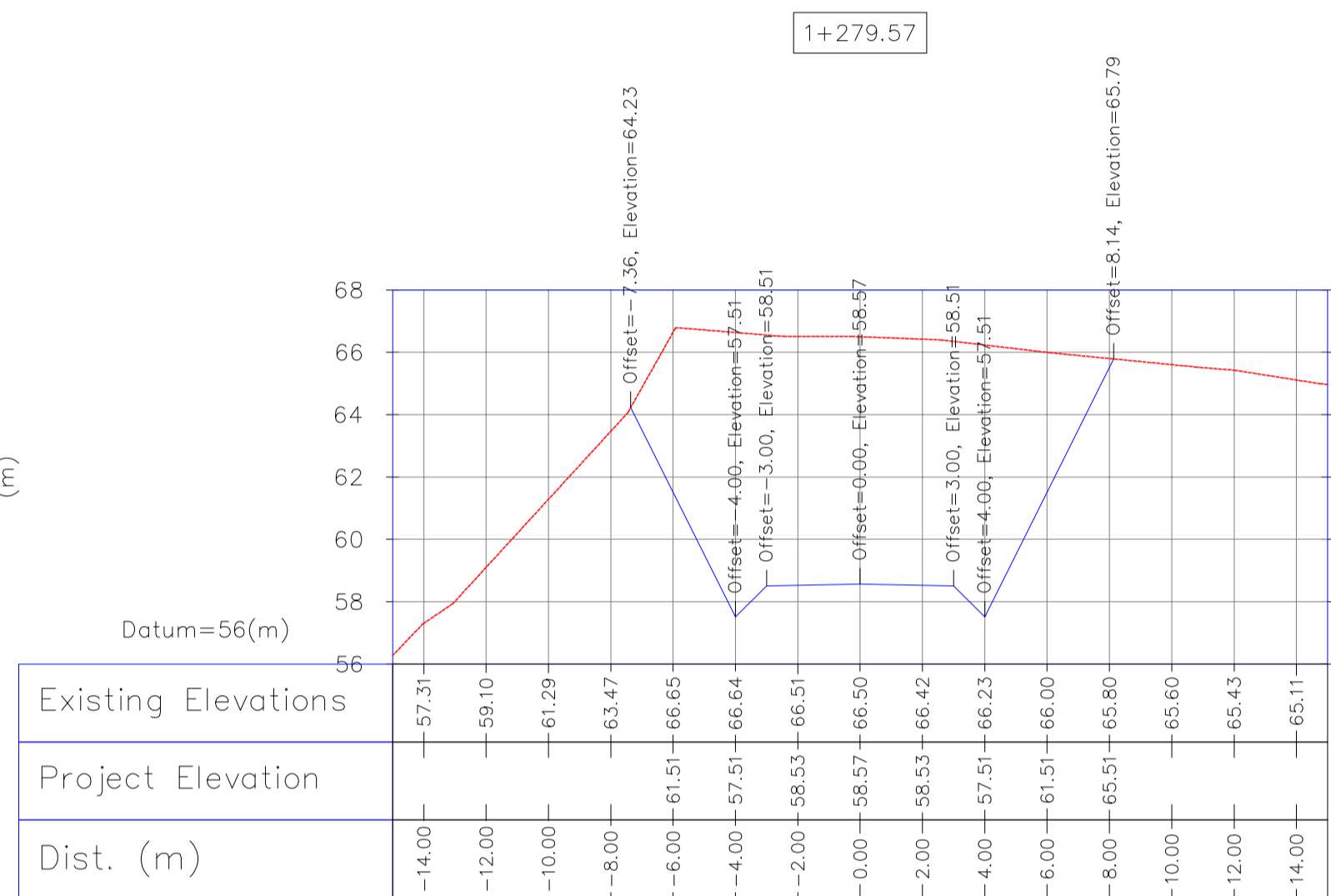
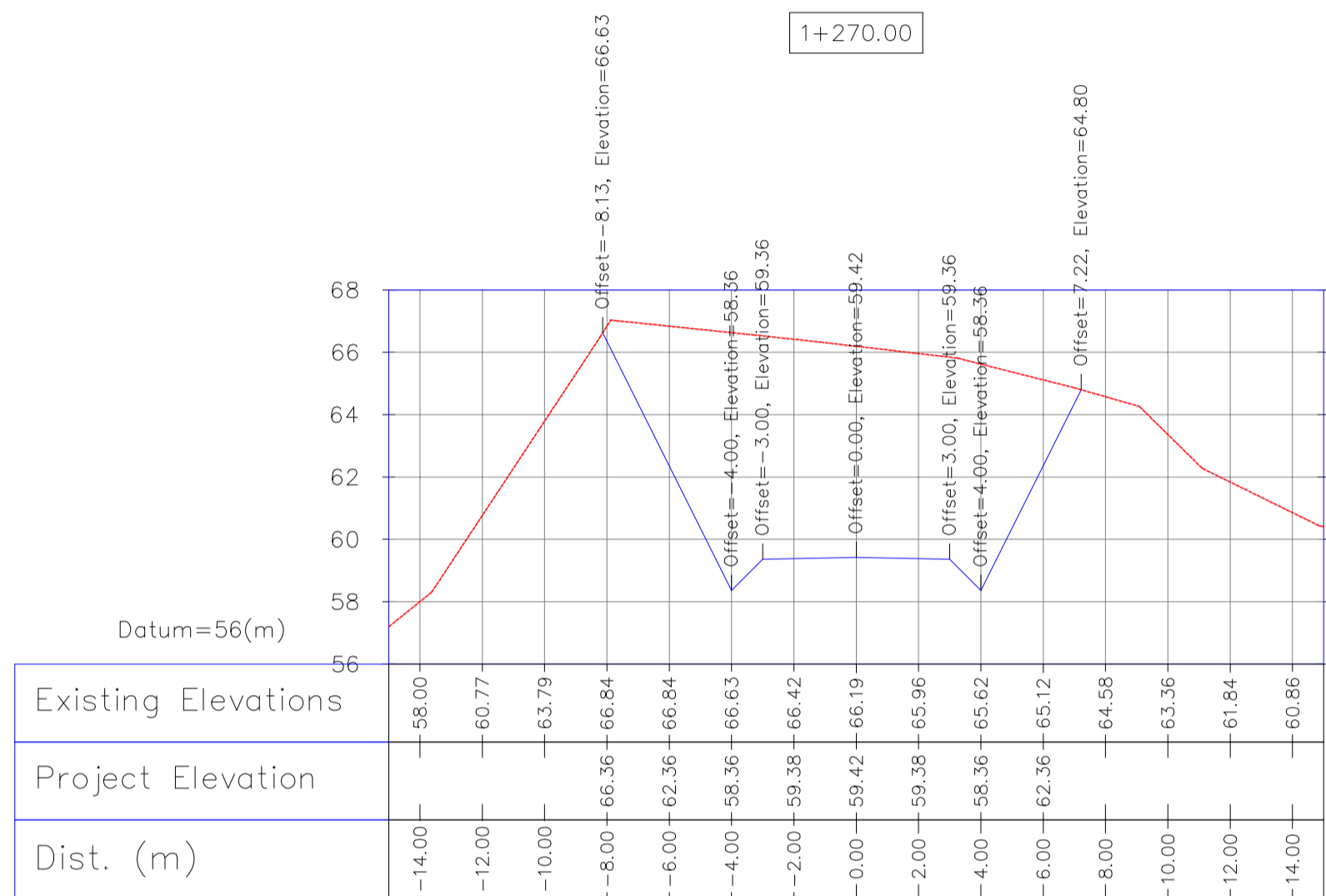
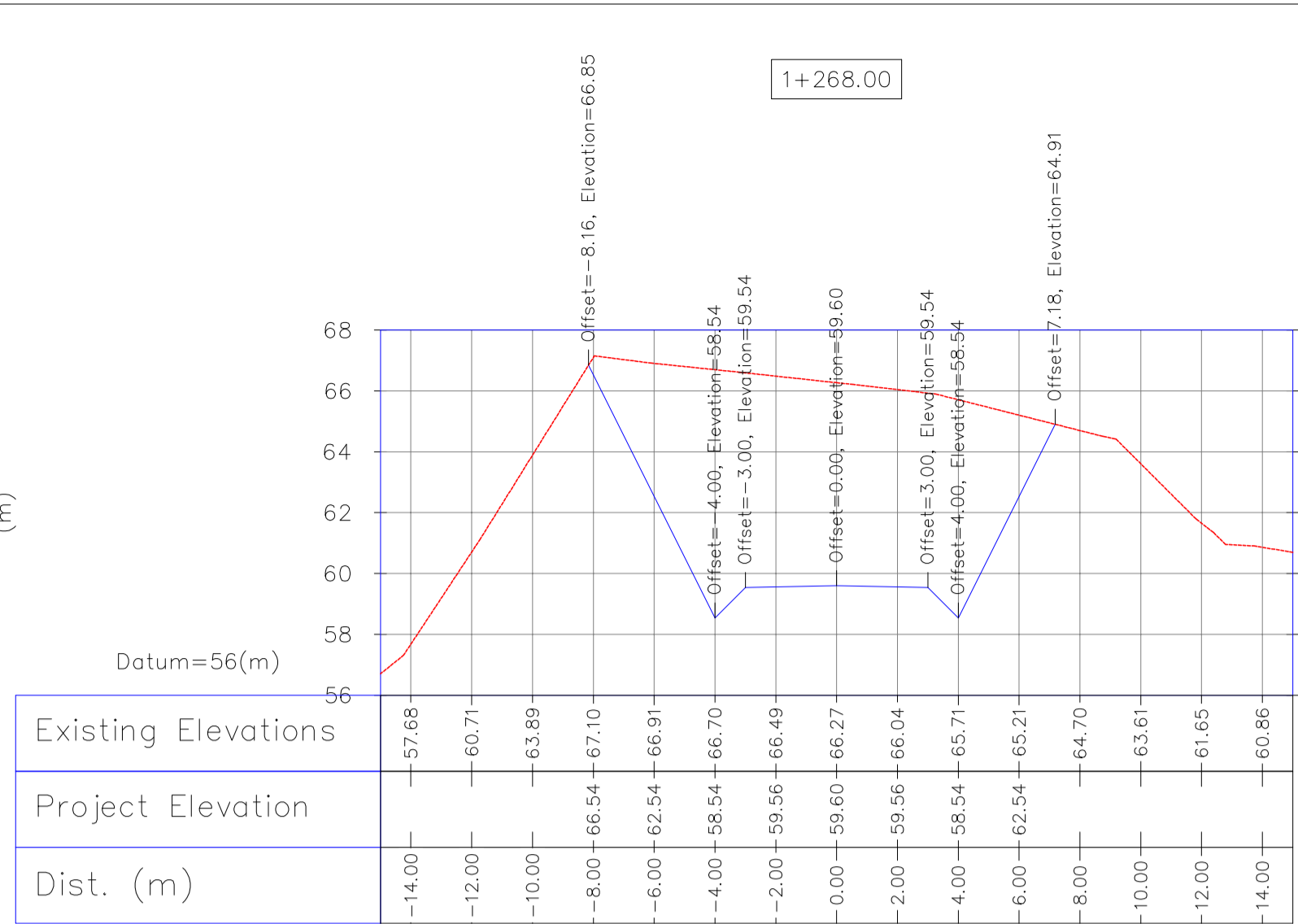
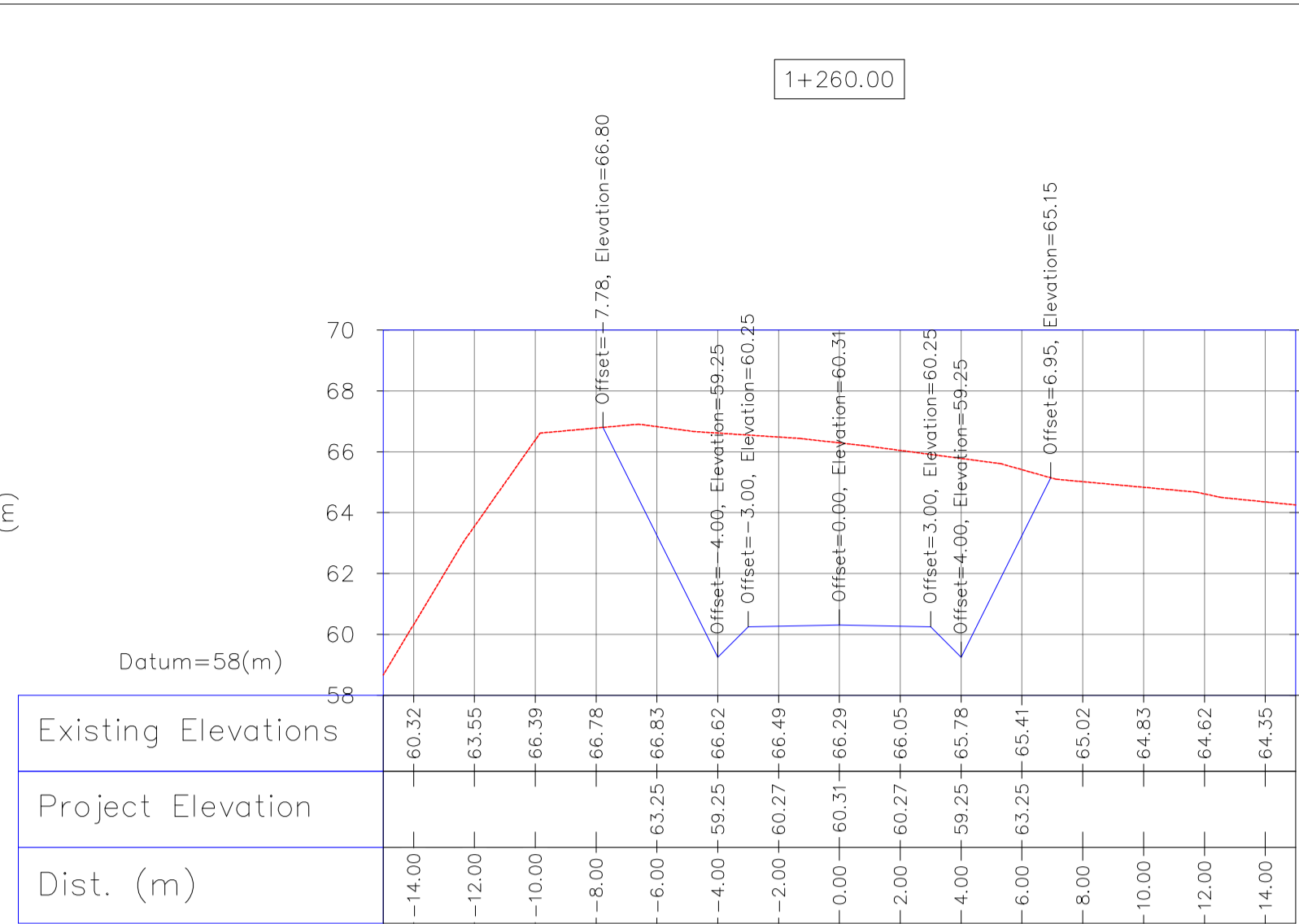
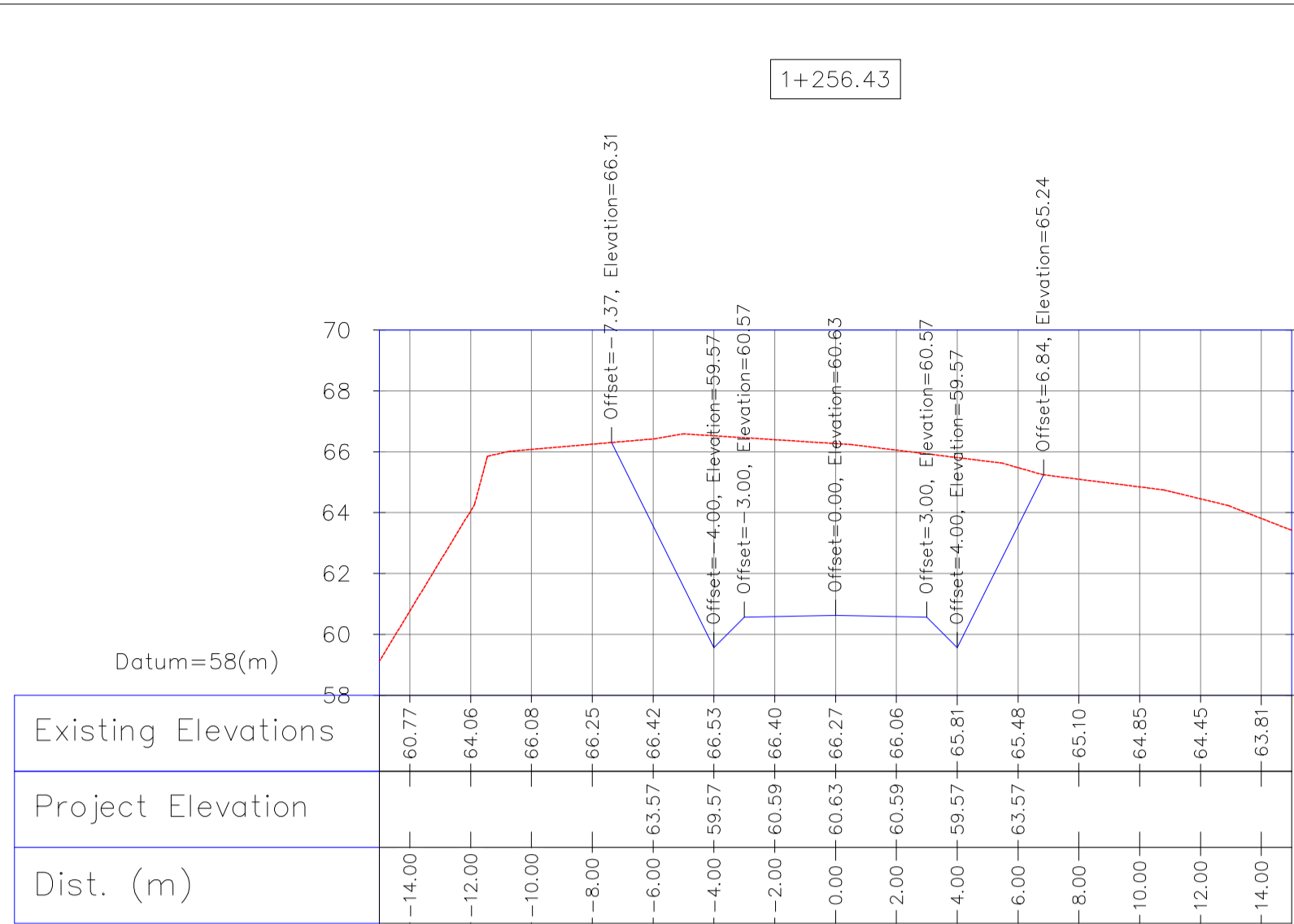
اسم و کلیه نسخ این نقشه و حق امتیاز متعلق به شرکت ملی مناطق نفت خیز جنوب میباشد.

THE ORIGINAL AND ALL COPIES OF THIS DRAWING TOGETHER WITH THE COPYRIGHT THEREIN ARE THE SOLE PROPERTY OF N.I.S.O.C./ FIELDS

BINAK OILFIELD DEVELOPMENT SUB-SURFACE WORK PACKAGES W046S WELLHEAD FACILITIES

NO CONSTRUCTION PERMITTED UNLESS DRAWING APPROVED

APPROVED FOR CONSTRUCTION BY: DATE:



1:200 Wellpad Access Road Transversal Sections

Bench Mark List			
Name	Easting(m)	Northing(m)	Elevation(m)
BM46	434828.378	3295176.513	27.976
BM47	434927.199	3294904.707	30.435
GPS3	435475.041	3294403.599	66.867
GPS1	435686.115	3294303.397	78.025

REV.	DESCRIPTION	BY	DATE	REV.	APPR.	
DO4	MAY.2023	AFC	R. BERLOUEI	M.PAKHARIAN	A.M.MOHSENI	
DO3	DEC.2022	IFA	R. BERLOUEI	M.PAKHARIAN	M.MEHRSHAD	
DO2	SEP.2022	IFA	R. BERLOUEI	M.PAKHARIAN	M.MEHRSHAD	
DO1	JUL.2022	IFA	R. BERLOUEI	M.PAKHARIAN	M.MEHRSHAD	
DO0	MAY.2022	IFC	R. BERLOUEI	M.PAKHARIAN	M.MEHRSHAD	
REV.	DATE	P.O.I.S	PREP.	CHK.	APP.	AUT.

PROJECT NAME: BINAK OILFIELD DEVELOPMENT/SUB-SURFACE WORK PACKAGES W046S WELLHEAD FACILITIES

PROJECT NO.: 971020

EPC CONTRACTOR: HIRGAN ENERGY - DESIGN & INSPECTION COMPANIES

EPD/EPC CONTRACTOR(GC): PETROIRAN DEVELOPMENT COMPANY

DRAWING TITLE: CIVIL AND STRUCTURAL DRAWINGS-W046S ACCESS ROAD TRANSVERSAL SECTIONS KM 1256.43 ~1297.24M

SCALE	SIZE	DRAWING NO.	SHEET NO.	REV.
AS SHOWN	A1	BK-W046S-PEDCO-110-CV-PY-0002	40 OF 46	D04

NOTES

- 1- ALL COORDINATES AND ELEVATIONS ARE IN METER.
- 2- ALL DRAWINGS SHALL BE CHECKED BY CONTRACTOR WITH RELATIVE DRAWINGS BEFORE CONSTRUCTION.
- 3-GEODEIC PARAMETERS FOR COORDINATES ARE AS BELOW:
 HORIZONTAL COORDINATE SYSTEM: WGS84/UTM ZONE 39
 ELLIPSOID: WORLD GEODEIC SYSTEM 1984 (WGS84)
 MAP PROJECTION: UNIVERSAL TRANSVERSE MERCATOR (UTM)
 VERTICAL DATUM: MSL.
- 4-THE SUITABLE MATERIAL FOR FILLING SHALL BE COLLECTED BASED ON TO THE BELOW RULES:
 - PROJECT GEOTECHNICAL INVESTIGATION REPORT, BORROW MATERIALS AND SPECIFICATION STUDY PART.
 - GENERAL SPECIFICATION FOR ROAD NO. 101, SECTION 207, BARR PLANNING AND BUDGET ORGANIZATION
 - PROJECT GENERAL SPECIFICATION "SPECIFICATION FOR EARTH WORK" DOCUMENT NUMBER "BK-GNRL-PEDCO-000-CV-SP-0004".
 - GEOTECHNICAL REPORTS AND CLIENT'S SITE SUPERVISORY BODY RECOMMENDATIONS AND APPROVALS.
- 5-BEFORE ANY EARTH WORK ACTIVITIES (CUT OR FILL), TOP AND UNSUITABLE SOIL (MARN...) SHALL BE REMOVED AS GEOTECHNICAL RECOMMENDATION AND SUPERVISOR'S REQUIREMENTS.

LEGEND

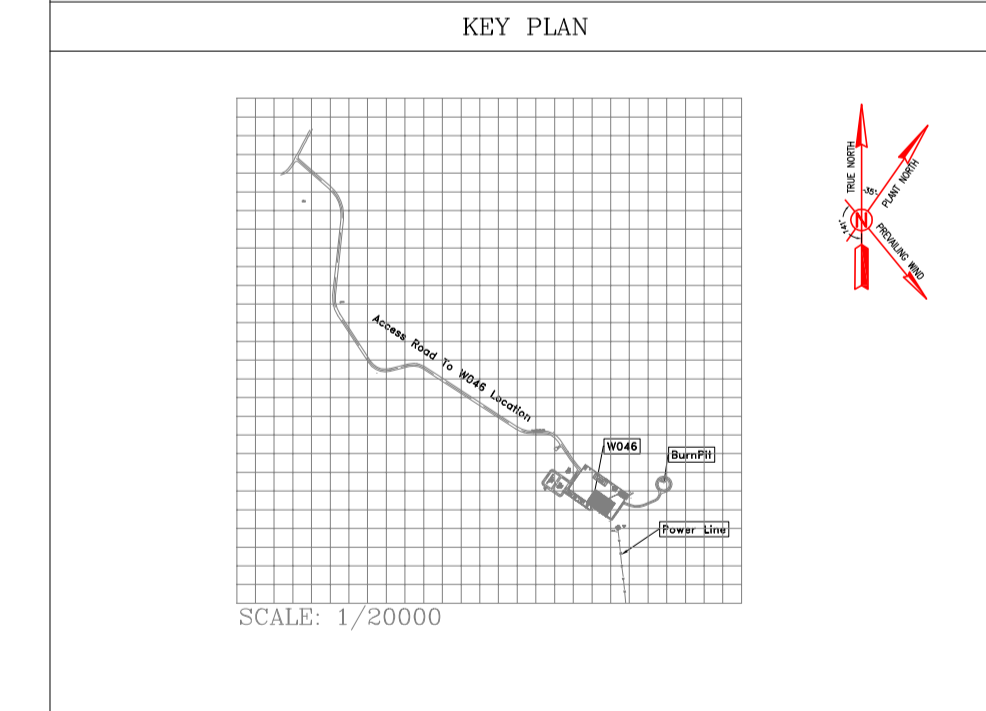
- Well Location (Symbol: Circle with dot)
- Well (Symbol: Circle with center dot)
- Site (Symbol: Square)
- Camp Site (Symbol: Red square)
- Asphalt Road (Symbol: Solid line)
- Gravel Road (Symbol: Dashed line)
- Proposed Road (Symbol: Dashed line with center line)
- Daylight (Symbol: Wavy line)
- Canal (Symbol: Double line with arrow)
- River (Symbol: Wavy line with arrow)
- Water Course (Symbol: Wavy line with arrow)
- Contours (Symbol: Wavy line with number)
- Spot Height (Symbol: Triangle with number)
- Bench Mark (Symbol: Triangle with 'BM' and number)
- Bridge (Symbol: Two parallel lines with bridge structure)
- Culvert (Symbol: Two parallel lines with culvert structure)

REFERENCE DRAWING

General Civil Layout - W046S	DRG. No.
Rough Grading Plans - W046S	BK-W046S-PEDCO-110-CV-DW-0001
Standard Drawing For Culvert & Details	BK-GNRL-PEDCO-000-CV-DW-0014
Specification For Road & Paving	BK-GNRL-PEDCO-000-CV-SP-0002
Standard Drawing For Slope Protection Details	BK-GNRL-PEDCO-000-CV-DW-0002
Specification For Earth Work	BK-GNRL-PEDCO-000-CV-SP-0004
Standard Pipe Support Drawings	BK-SGRAL-PEDCO-110-PI-DW-0001

ABBREVIATION

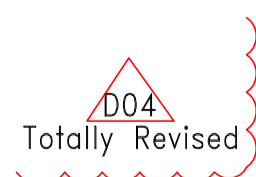
PT= POINT
PVI= POINT OF VERTICAL INTERSECTION
LVC= LENGTH OF VERTICAL CURVE
EVC= BEGIN OF VERTICAL CURVE STATION
BVCE= BEGIN OF VERTICAL CURVE ELEVATION
EVC= END OF VERTICAL CURVE STATION
EVC= END OF VERTICAL CURVE ELEVATION

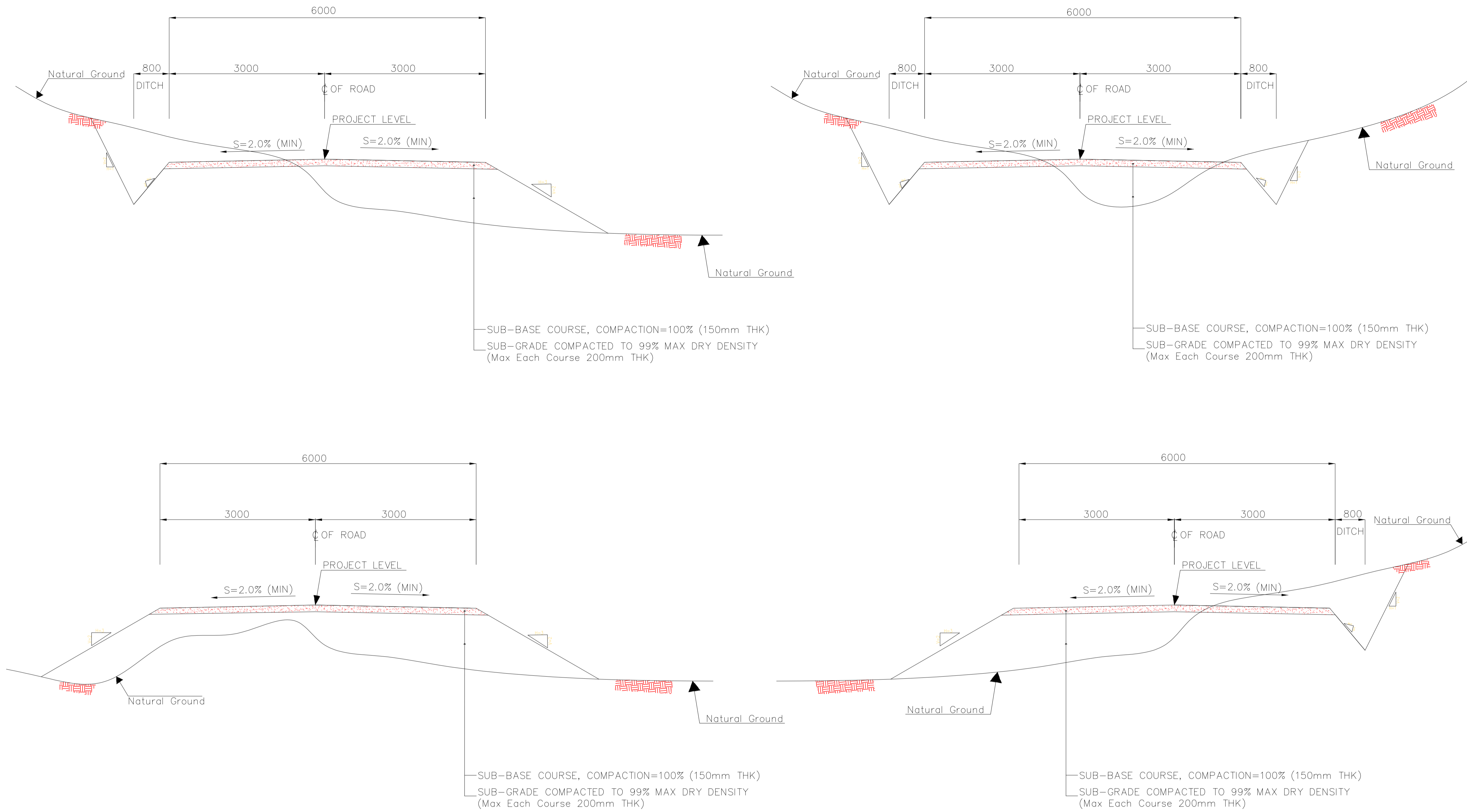


NO CONSTRUCTION PERMITTED UNLESS DRAWING APPROVED

APPROVED FOR CONSTRUCTION BY: [Signature] DATE: [Date]

BUDGET REF.	LOCATION	SIZE	CLASS	SERIAL NO.	SHEET	REVISION
053-073-9184	F	4	S	707654	40	D04





N.T.S. 1 TYPICAL CROSS SECTIONS (Access Road)

NOTES

- 1- ALL COORDINATES AND ELEVATIONS ARE IN METER.
- 2- ALL DRAWINGS SHALL BE CHECKED BY CONTRACTOR WITH RELATIVE DRAWINGS BEFORE CONSTRUCTION.
- 3- GEODETIC PARAMETERS FOR COORDINATES ARE AS BELOW:
 HORIZONTAL COORDINATE SYSTEM: WGS84/UTM ZONE 39
 ELLIPSOID: WORLD GEODETIC SYSTEM 1984 (WGS84)
 MAP PROJECTION: UNIVERSAL TRANSVERSE MERCATOR (UTM)
 VERTICAL DATUM: MSL.
- 4- THE SUITABLE MATERIAL FOR FILLING SHALL BE COLLECTED BASED ON TO THE BELOW RULES:
 - PROJECT GEOTECHNICAL INVESTIGATION REPORT, BORROW MATERIALS AND SPECIFICATION STUDY PART.
 - "GENERAL SPECIFICATION FOR ROAD" NO. 101, SECTION 207, BRAN PLANNING AND BUDGET ORGANIZATION.
 - PROJECT GENERAL SPECIFICATION "SPECIFICATION FOR EARTH WORK" DOCUMENT NUMBER "BK-GNRL-PEDCO-000-CV-SP-0004".
 - GEOTECHNICAL REPORTS AND CLIENT'S SITE SUPERVISORY BODY RECOMMENDATIONS AND APPROVALS.
- 5- BEFORE ANY EARTH WORK ACTIVITIES (CUT OR FILL), TOP AND UNSUITABLE SOIL (MARN...) SHALL BE REMOVED AS GEOTECHNICAL RECOMMENDATION AND SUPERVISOR'S REQUIREMENTS.

LEGEND

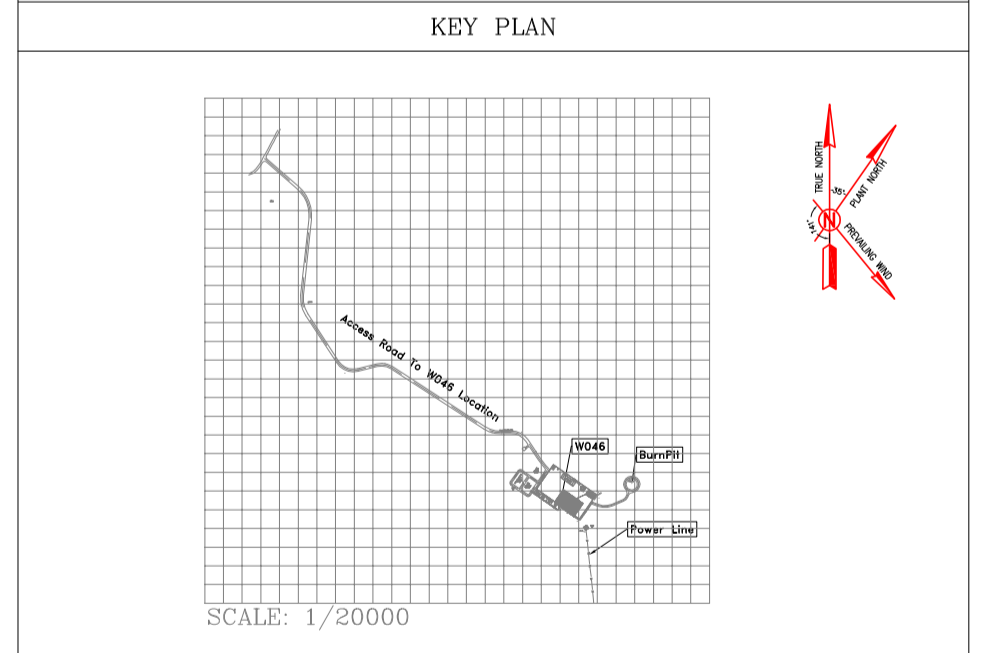
	WELL LOCATION		CANAL
	WELL		RIVER
	SITE		WATER COURSE
	CAMP SITE		CONTOURS
	ASPHALT ROAD		SPOT HEIGHT
	GRAVEL ROAD		BENCH MARK
	PROPOSED ROAD		BRIDGE
	DAYLIGHT		CULVERT

REFERENCE DRAWING

REFERENCE DRAWING	DRG. No.
General Civil Layout - W046S	BK-W046S-PEDCO-110-CV-PY-0001
Rough Grading Plans - W046S	BK-W046S-PEDCO-110-CV-DW-0001
Standard Drawing For Culvert & Details	BK-GNRL-PEDCO-000-CV-DW-0014
Specification For Road & Paving	BK-GNRL-PEDCO-000-CV-SP-0002
Standard Drawing For Slope Protection Details	BK-GNRL-PEDCO-000-CV-DW-0002
Specification For Earth Work	BK-GNRL-PEDCO-000-CV-SP-0004
Standard Pipe Support Drawings	BK-SSGRL-PEDCO-110-PI-DW-0001

ABBREVIATION

PT= POINT
 PVI= POINT OF VERTICAL INTERSECTION
 LVC= LENGTH OF VERTICAL CURVE
 BVCS= BEGN OF VERTICAL CURVE STATION
 BVCE= BEGN OF VERTICAL CURVE ELEVATION
 EVCS= END OF VERTICAL CURVE STATION
 EVCE= END OF VERTICAL CURVE ELEVATION



REV.	DATE	P.O.I.S	PREP.	CHK.	APP.	AUT.	DESCRIPTION	BY	DATE	BY	DATE
D04	MAY.2023	AFC	R. BERLOUEI	M.PAKHARIAN	A.M.MOHSSENI	***					
D03	DEC.2022	IFA	R. BERLOUEI	M.PAKHARIAN	M.MEHRSHAD	***					
D02	SEP.2022	IFA	R. BERLOUEI	M.PAKHARIAN	M.MEHRSHAD	***					
D01	JUL.2022	IFA	R. BERLOUEI	M.PAKHARIAN	M.MEHRSHAD	***					
D00	MAY.2022	IFA	R. BERLOUEI	M.PAKHARIAN	M.MEHRSHAD	***					

PROJECT NAME: BINAK OILFIELD DEVELOPMENT/SUB-SURFACE WORK PACKAGES W046S WELLHEAD FACILITIES

PROJECT NO.: 971020

EPC CONTRACTOR: HIRGAN ENERGY - DESIGN & INSPECTION COMPANIES

EPD/EPC CONTRACTOR(GC): PETROIRAN DEVELOPMENT COMPANY

DRAWING TITLE: CIVIL AND STRUCTURAL DRAWINGS-W046S TYPICAL CUT&FILL CROSS SEC.(WELL ACCESS ROAD)

SCALE: AS SHOWN

DATE: 053-073-9184

LOCATION: F

SIZE: 4

CLASS: S

SERIAL NO.: 707654

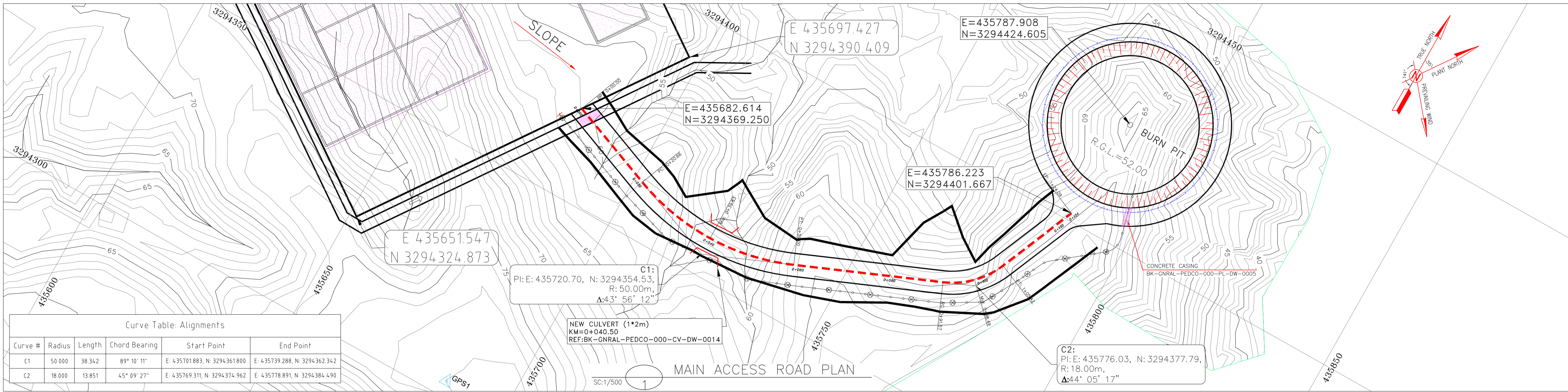
SHEET: 41

REVISION: D04

Bench Mark List

Name	Easting(m)	Northing(m)	Elevation(m)
BM46	434828.378	3295176.513	27.976
BM47	434927.199	3294904.707	30.435
GPS3	435475.041	3294403.599	66.867
GPS1	435686.115	3294303.397	78.025

D04
Totally Revised



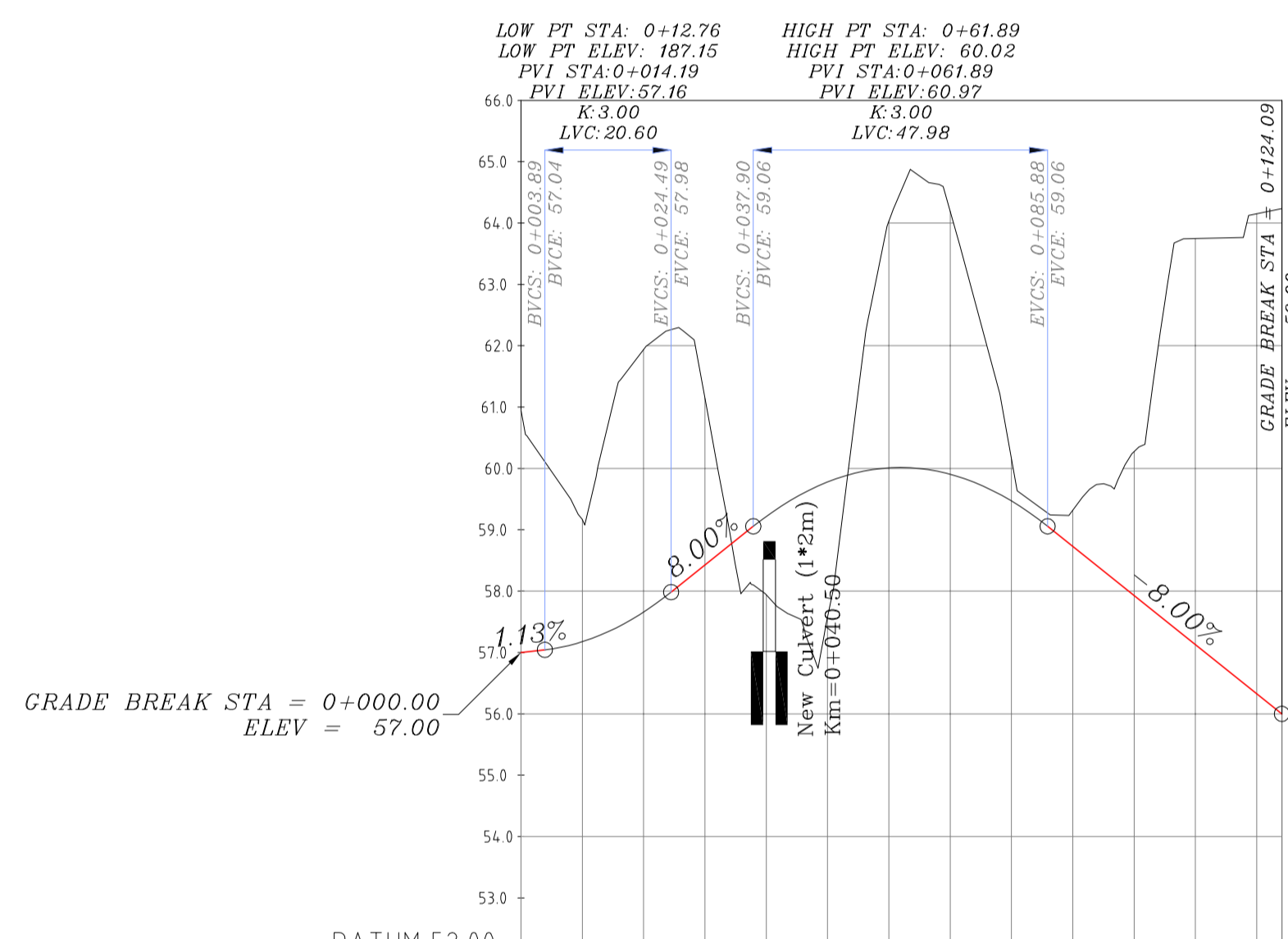
Curve #	Radius	Length	Chord Bearing	Start Point	End Point
C1	50.000	38.342	89° 10' 11"	E. 435701.883, N. 3294361.800	E. 435739.288, N. 3294362.342
C2	18.000	13.851	45° 09' 27"	E. 435769.311, N. 3294374.962	E. 435778.891, N. 3294384.490

C1:
PI: E: 435720.70, N: 3294354.53,
R: 50.00m,
Δ: 43° 56' 12"

NEW CULVERT (1*2m)
KM=0+040.50
REF: BK-GNRL-PEDCO-000-CV-DW-0014

C2:
PI: E: 435776.03, N: 3294377.79,
R: 18.00m,
Δ: 44° 05' 17"

MAIN ACCESS ROAD PLAN



PROJECT ELEVATION	GROUND ELEVATION	PIQUET NUMBER	METERS	KILO & HECTOMETER	METERS	CURVES
57.00	59.85	0	0.00	0+000	0+000	L=20.659
57.18	59.17	2	10.00	0+020	0+021	L=43°56'12" R=50.00
57.68	61.84	3	20.00	0+030	0+040	L=32.567
58.42	61.14	5	30.00	0+050	0+059	D=44°05'17" R=18.00
59.22	57.94	8	40.00	0+060	0+098	L=18.076
59.76	57.58	9	50.00	0+070	0+100	
60.01	64.03	10	60.00	0+080	0+104	
59.91	64.19	11	70.00	0+090	0+104	
59.47	60.15	12	80.00	0+100	0+104	
58.73	59.32	13	90.00	0+110	0+104	
57.83	60.27	15	100.00	0+120	0+104	
57.26	63.75	17	110.00	0+130	0+104	
57.13	64.15	18	120.00	0+140	0+104	
56.33	64.84	20	130.00	0+150	0+104	
56.00	64.84	20	130.00	0+150	0+104	

MAIN ACCESS ROAD PROFILE

H: 1/1000
V: 1/100

Bench Mark List			
Name	Easting(m)	Northing(m)	Elevation(m)
BM46	434828.378	3295176.513	27.976
BM47	434927.199	3294904.707	30.435
GPS3	435475.041	3294403.599	66.867
GPS1	435686.115	3294303.397	78.025

Station	Easting	Northing
0+000.00	435682.61	3294369.25
0+010.00	435691.94	3294365.64
0+020.00	435701.27	3294362.04
0+030.00	435710.60	3294358.44
0+040.00	435720.93	3294354.84
0+050.00	435730.26	3294351.24
0+060.00	435739.59	3294347.64
0+070.00	435749.92	3294344.04
0+080.00	435759.25	3294340.44
0+090.00	435768.58	3294336.84
0+100.00	435777.91	3294333.24
0+110.00	435787.24	3294329.64
0+120.00	435796.57	3294326.04
0+130.00	435805.90	3294322.44
0+140.00	435815.23	3294318.84
0+150.00	435824.56	3294315.24

PI Station	Easting	Northing
0+000.00	435682.61	3294369.25
0+040.83	435720.70	3294354.53
0+098.86	435776.03	3294377.79
0+124.09	435786.22	3294401.67

D04
Totally Revised

- NOTES
- ALL COORDINATES AND ELEVATIONS ARE IN METER.
 - ALL DRAWINGS SHALL BE CHECKED BY CONTRACTOR WITH RELATIVE DRAWINGS BEFORE CONSTRUCTION.
 - GEODEIC PARAMETERS FOR COORDINATES ARE AS BELOW:
HORIZONTAL COORDINATE SYSTEM: WGS84/UTM ZONE 39
ELLIPSOID: WORLD GEODEIC SYSTEM 1984 (WGS84)
MAP PROJECTION: UNIVERSAL TRANSVERSE MERCATOR (UTM)
VERTICAL DATUM: MSL
 - THE SUITABLE MATERIAL FOR FILLING SHALL BE COLLECTED BASED ON TO THE BELOW RULES:
- PROJECT GEOTECHNICAL INVESTIGATION REPORT, BORROW MATERIALS AND SPECIFICATION STUDY PART.
- "GENERAL SPECIFICATION FOR ROAD" NO. 101, SECTION 207, BRAN PLANNING AND BUDGET ORGANIZATION.
- PROJECT GENERAL SPECIFICATION "SPECIFICATION FOR EARTH WORK" DOCUMENT NUMBER "BK-GNRL-PEDCO-000-CV-SP-0004".
- GEOTECHNICAL REPORTS AND CLIENT'S SITE SUPERVISORY BODY RECOMMENDATIONS AND APPROVALS.
 - BEFORE ANY EARTH WORK ACTIVITIES (CUT OR FILL), TOP AND UNSUITABLE SOIL (MARN...) SHALL BE REMOVED AS GEOTECHNICAL RECOMMENDATION AND SUPERVISOR'S REQUIREMENTS.

LEGEND

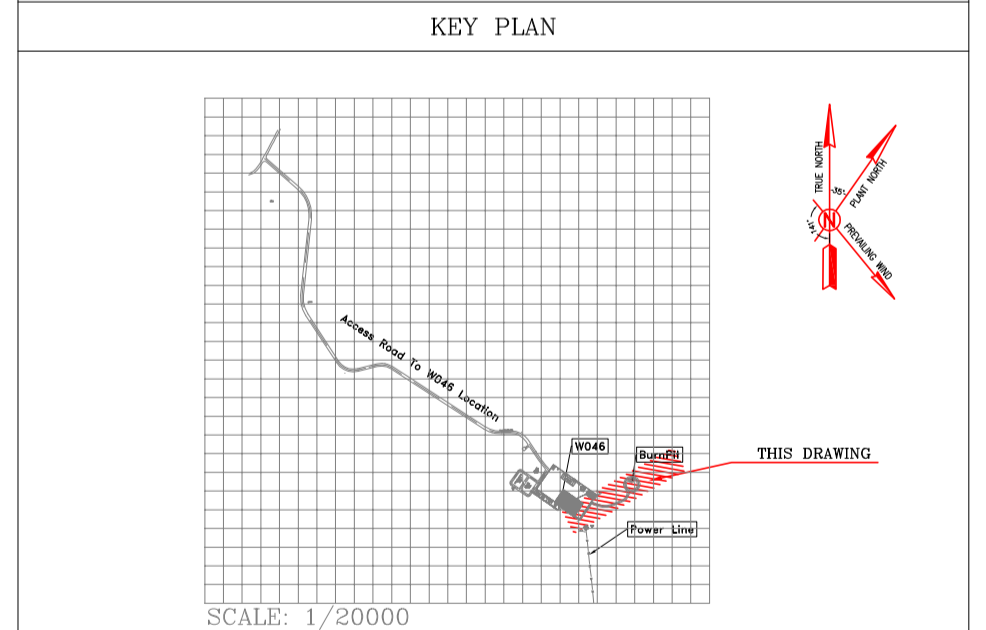
○	WELL LOCATION	▬▬▬▬	CANAL
●	WELL	▬▬▬▬	RIVER
□	SITE	▬▬▬▬	WATER COURSE
▭	CAMP SITE	▬▬▬▬	CONTOURS
▬	ASPHALT ROAD	99.27	SPOT HEIGHT
▬	GRAVEL ROAD	△	BENCH MARK
- - -	PROPOSED ROAD	▬▬▬▬	BRIDGE
▬	DAYLIGHT	▬▬▬▬	CULVERT
⊗	PIPE SUPPORT		
○	BURN PIT PIPE LINE		

REFERENCE DRAWING

General Civil Layout - W046S	DRG. No.
Rough Grading Plans - W046S	BK-W046S-PEDCO-110-CV-PY-0001
Standard Drawing For Culvert & Details	BK-GNRL-PEDCO-000-CV-DW-0014
Specification For Road & Paving	BK-GNRL-PEDCO-000-CV-SP-0002
Standard Drawing For Slope Protection Details	BK-GNRL-PEDCO-000-CV-DW-0002
Specification For Earth Work	BK-GNRL-PEDCO-000-CV-SP-0004
Standard Pipe Support Drawings	BK-SSRL-PEDCO-110-PI-DW-0001
Standard Drawing For A/G Pipeline Road Crossing	BK-GNRL-PEDCO-000-PL-DW-0005

ABBREVIATION

PT= POINT
PVI= POINT OF VERTICAL INTERSECTION
LVC= LENGTH OF VERTICAL CURVE
EVCS= BEGIN OF VERTICAL CURVE STATION
BVCE= BEGIN OF VERTICAL CURVE ELEVATION
EVCE= END OF VERTICAL CURVE STATION
EVCE= END OF VERTICAL CURVE ELEVATION
PI= POINT OF INTERSECTION
PC= POINT OF CURVATURE STATION
MID= CURVE MID POINT STATION
PT= POINT OF TANGENT STATION



REV.	DATE	DESCRIPTION	BY	DATE	BY	DATE
D04	MAY.2023	AFC	R. BERLOUEI	M.PAKHARIAN	A.M.MOHSSENI	***
D03	DEC.2022	IFA	R. BERLOUEI	M.PAKHARIAN	M.MEHRSHAD	***
D02	SEP.2022	IFA	R. BERLOUEI	M.PAKHARIAN	M.MEHRSHAD	***
D01	JUL.2022	IFA	R. BERLOUEI	M.PAKHARIAN	M.MEHRSHAD	***
D00	MAY.2022	IFC	R. BERLOUEI	M.PAKHARIAN	M.MEHRSHAD	***
REV.	DATE	P.O.I.S	PREP.	CHK.	APP.	AUT.

PROJECT NAME: BINAK OILFIELD DEVELOPMENT/SUB-SURFACE WORK PACKAGES W046S WELLHEAD FACILITIES

PROJECT NO.: 971020

EPC CONTRACTOR: HIRGAN ENERGY - DESIGN & INSPECTION COMPANIES

EPD/EPC CONTRACTOR(GC): PETROIRAN DEVELOPMENT COMPANY

DRAWING TITLE: CIVIL AND STRUCTURAL DRAWINGS-W046S BURN PIT ROAD PLAN AND PROFILE SECTION

NO CONSTRUCTION PERMITTED UNLESS DRAWING APPROVED

DATE	SCALE	DRAWING BY	CHECKED BY	PROJECT ENG.

APPROVED FOR CONSTRUCTION	BY:	DATE:

SCALE	SIZE	DRAWING NO.	SHEET NO.	REV.	BUDGET REF.	LOCATION	SIZE	CLASS	SERIAL NO.	SHEET	REVISION
AS SHOWN	A1	BK-W046S-PEDCO-110-CV-PY-0002	42 OF 46	D04	053-073-9184	F	4	S	707654	42	D04

NOTES

- ALL COORDINATES AND ELEVATIONS ARE IN METER.
- ALL DRAWINGS SHALL BE CHECKED BY CONTRACTOR WITH RELATIVE DRAWINGS BEFORE CONSTRUCTION.
- GEODETTIC PARAMETERS FOR COORDINATES ARE AS BELOW:
 HORIZONTAL COORDINATE SYSTEM: WGS84/UTM ZONE 39
 ELLIPSOID: WORLD GEODETTIC SYSTEM 1984 (WGS84)
 MAP PROJECTION: UNIVERSAL TRANSVERSE MERCATOR (UTM)
 VERTICAL DATUM: MSL.
- THE SUITABLE MATERIAL FOR FILLING SHALL BE COLLECTED BASED ON TO THE BELOW RULES:
 - PROJECT GEOTECHNICAL INVESTIGATION REPORT, BORROW MATERIALS AND SPECIFICATION STUDY PART.
 - "GENERAL SPECIFICATION FOR ROAD" NO. 101, SECTION 207, BRAN PLANNING AND BUDGET ORGANIZATION
 - PROJECT GENERAL SPECIFICATION "SPECIFICATION FOR EARTH WORK" DOCUMENT NUMBER "BK-GNRL-PEDCO-000-CV-SP-0004".
 - GEOTECHNICAL REPORTS AND CLIENT'S SITE SUPERVISORY BODY RECOMMENDATIONS AND APPROVALS.
 5-BEFORE ANY EARTH WORK ACTIVITIES (CUT OR FILL), TOP AND UNSUITABLE SOIL (MARN...) SHALL BE REMOVED AS GEOTECHNICAL RECOMMENDATION AND SUPERVISOR'S REQUIREMENTS.

LEGEND

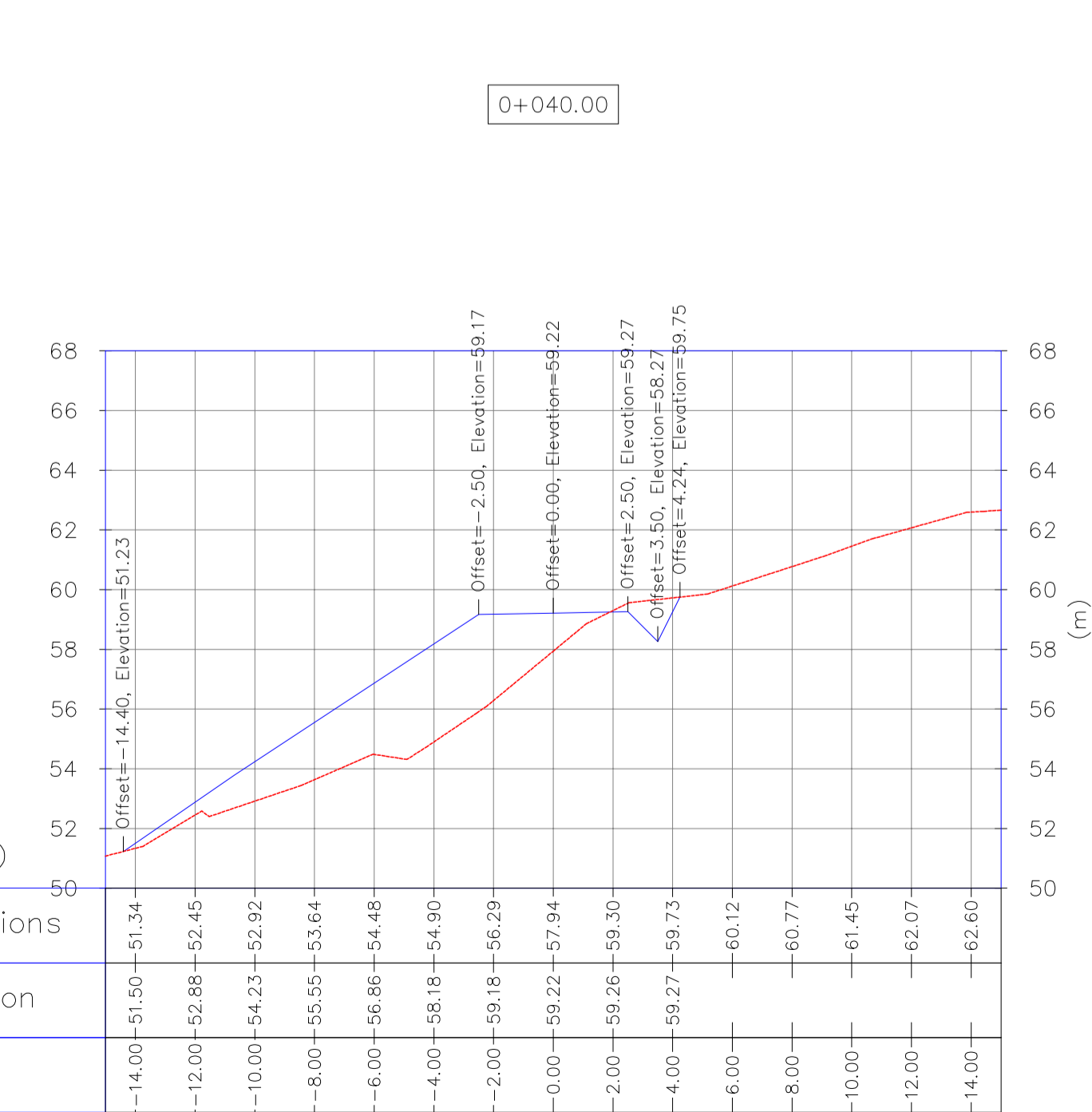
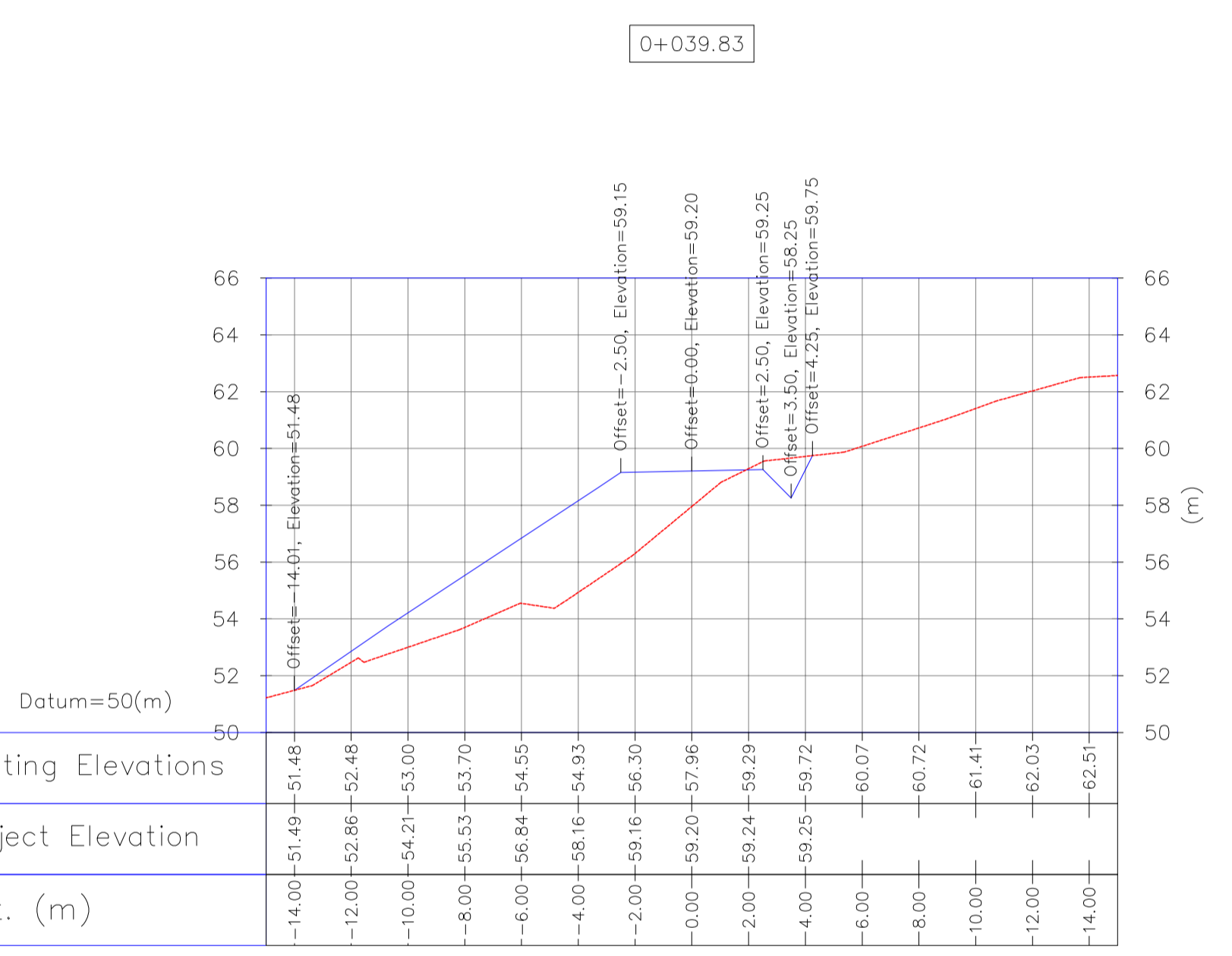
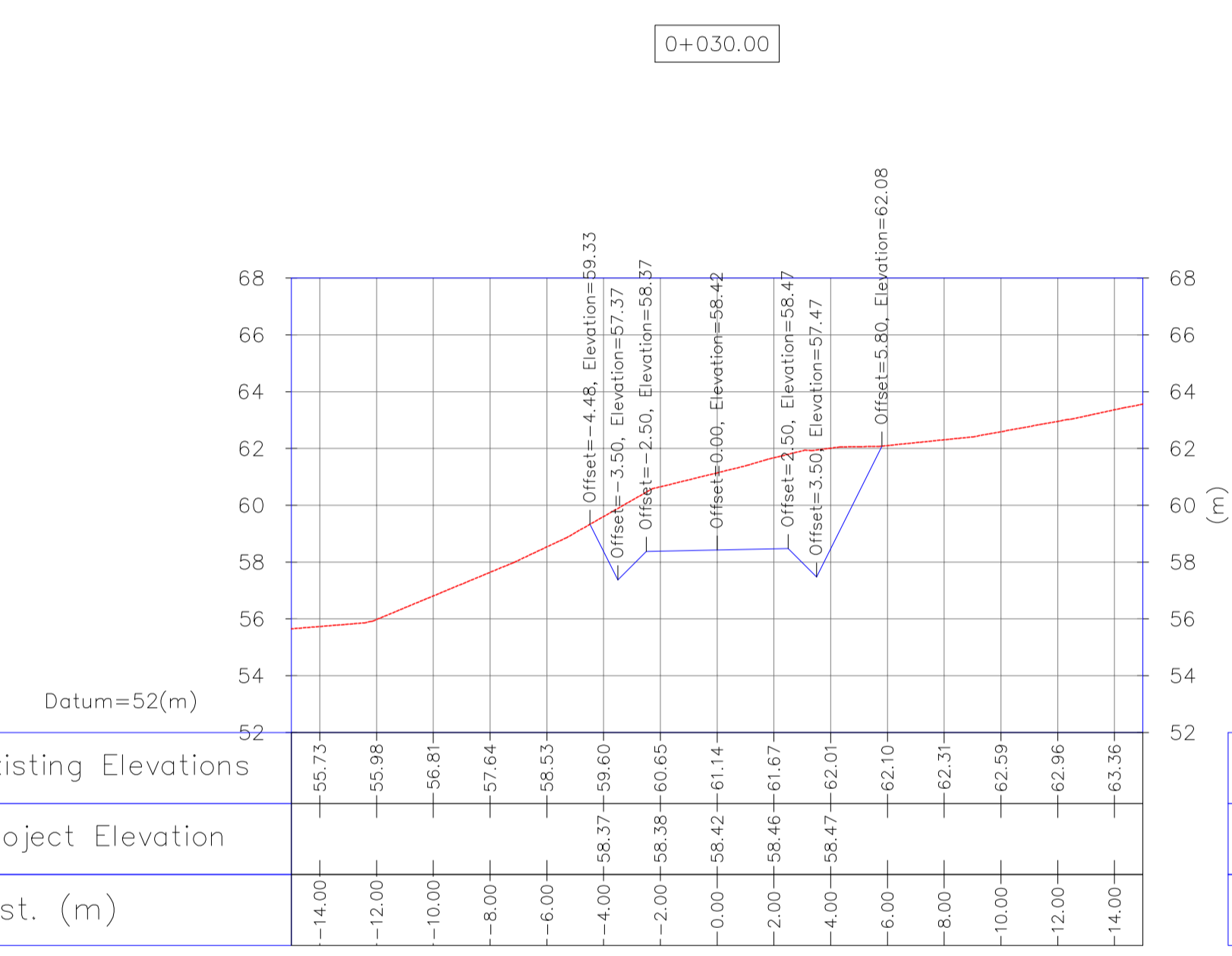
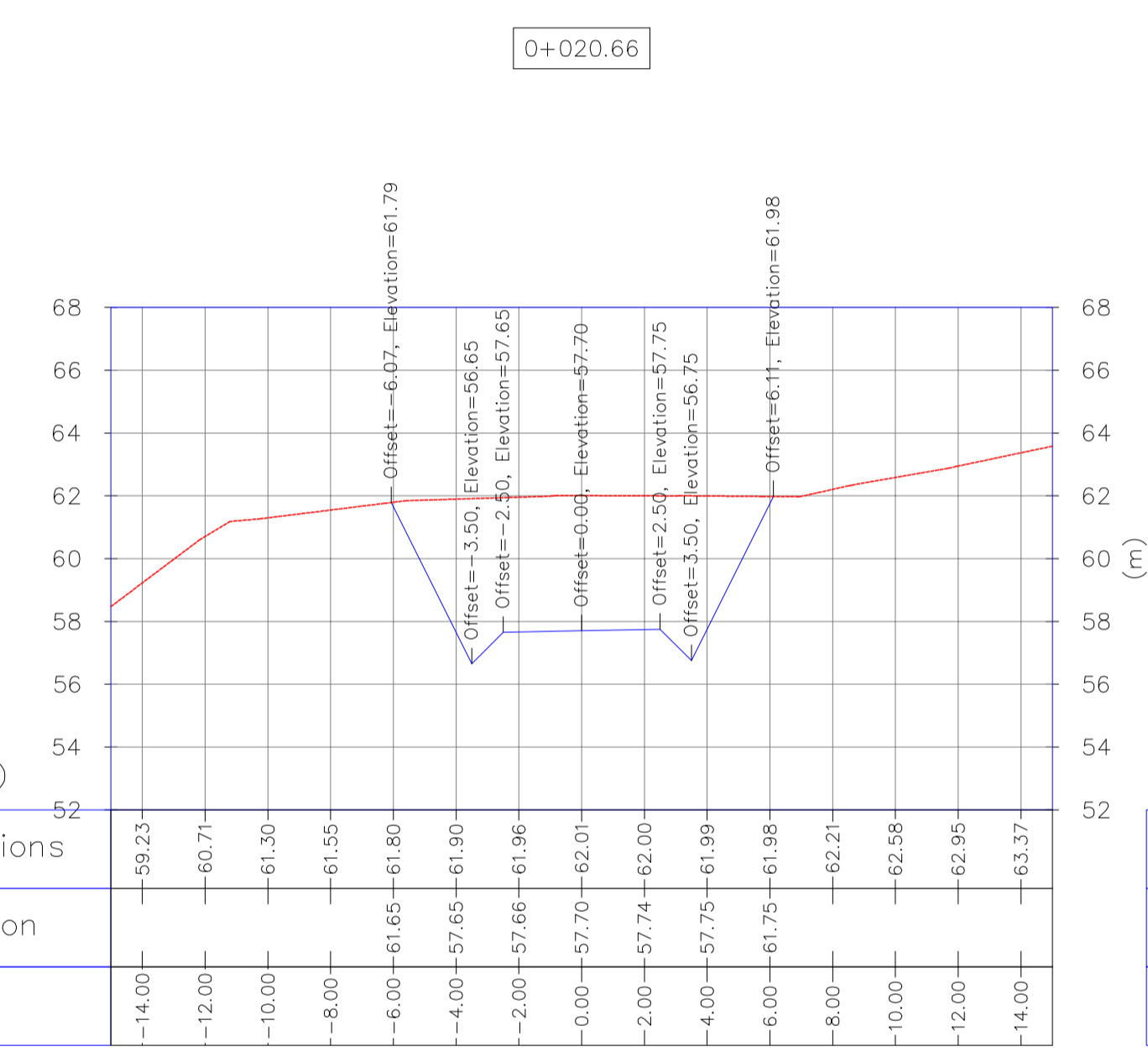
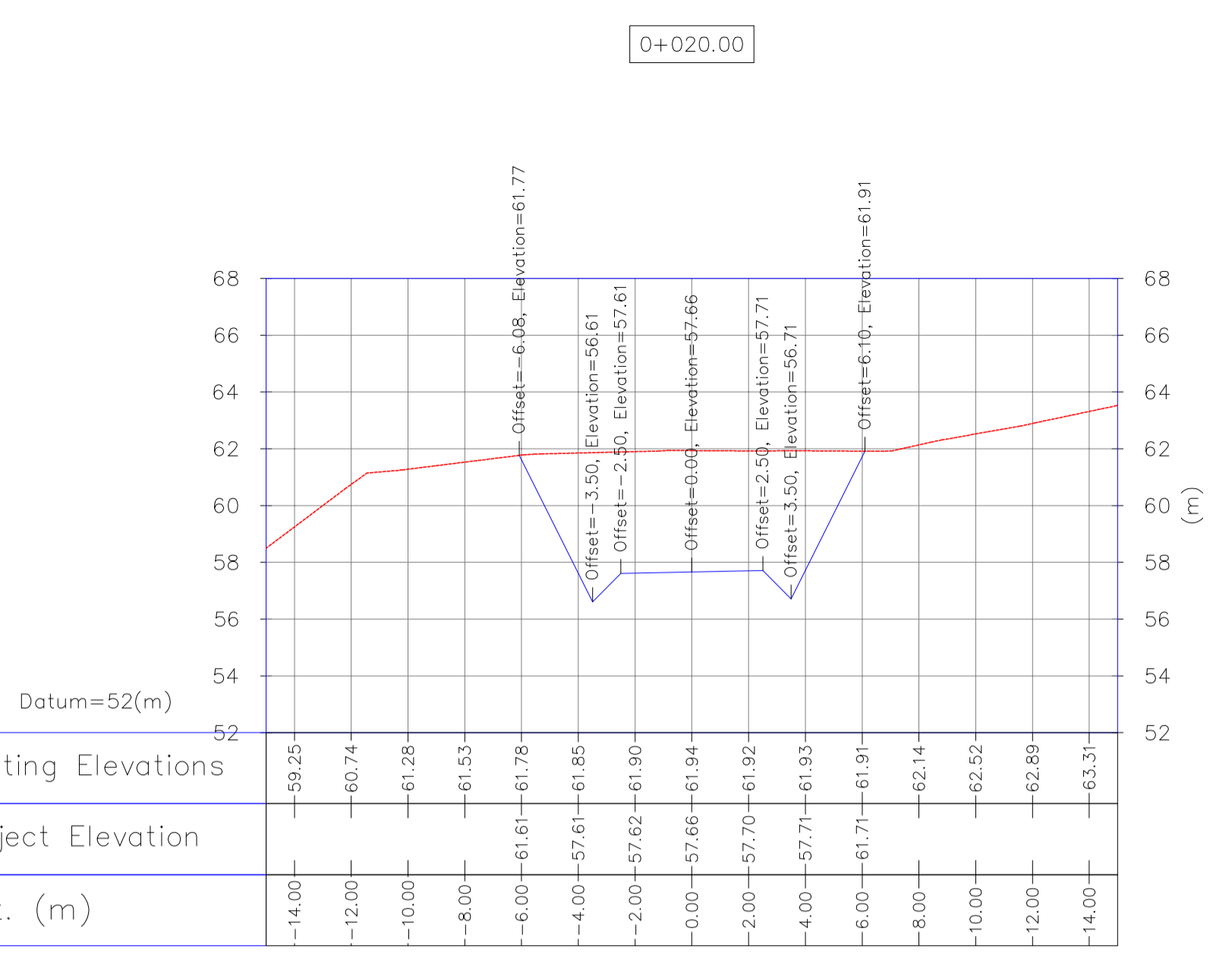
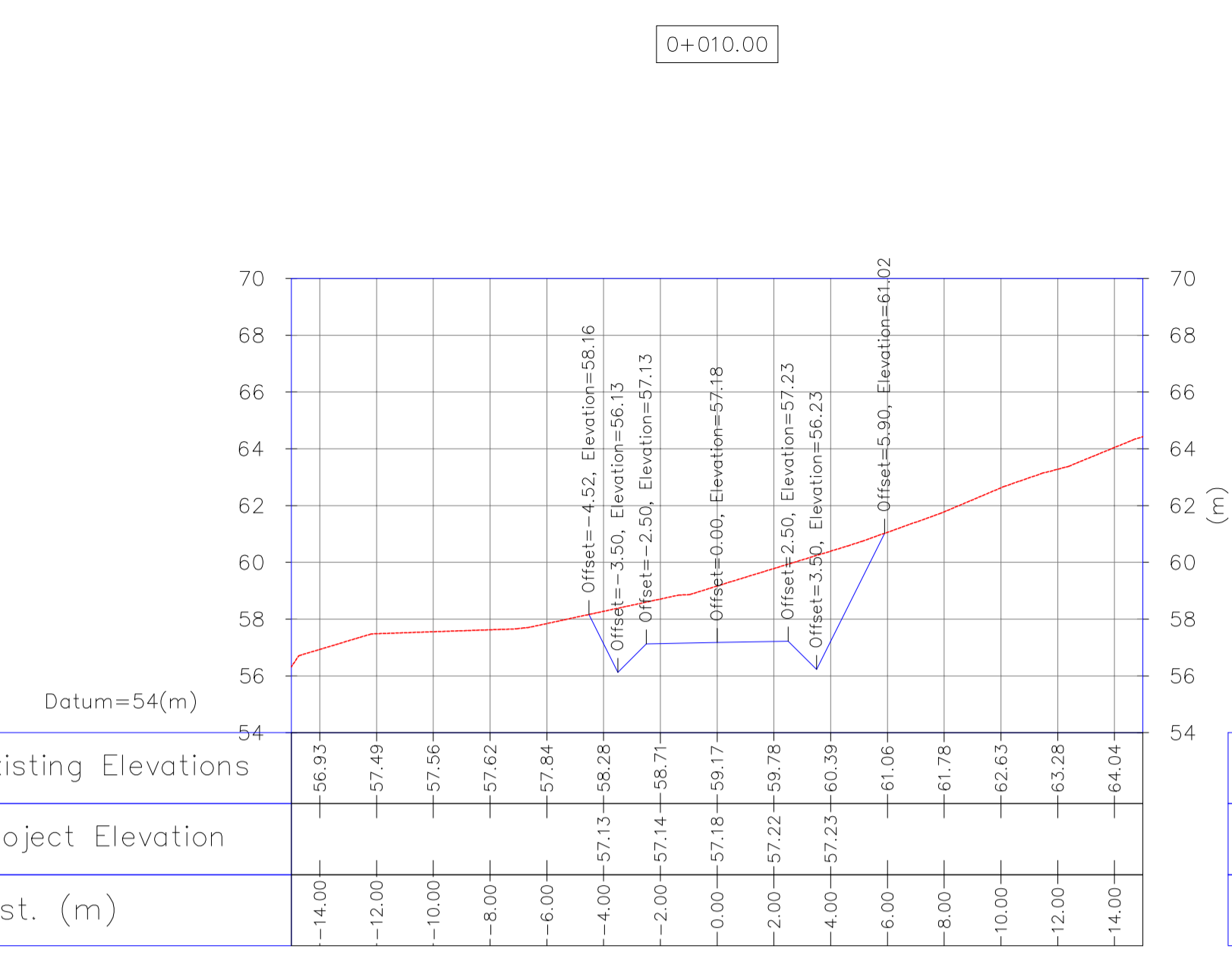
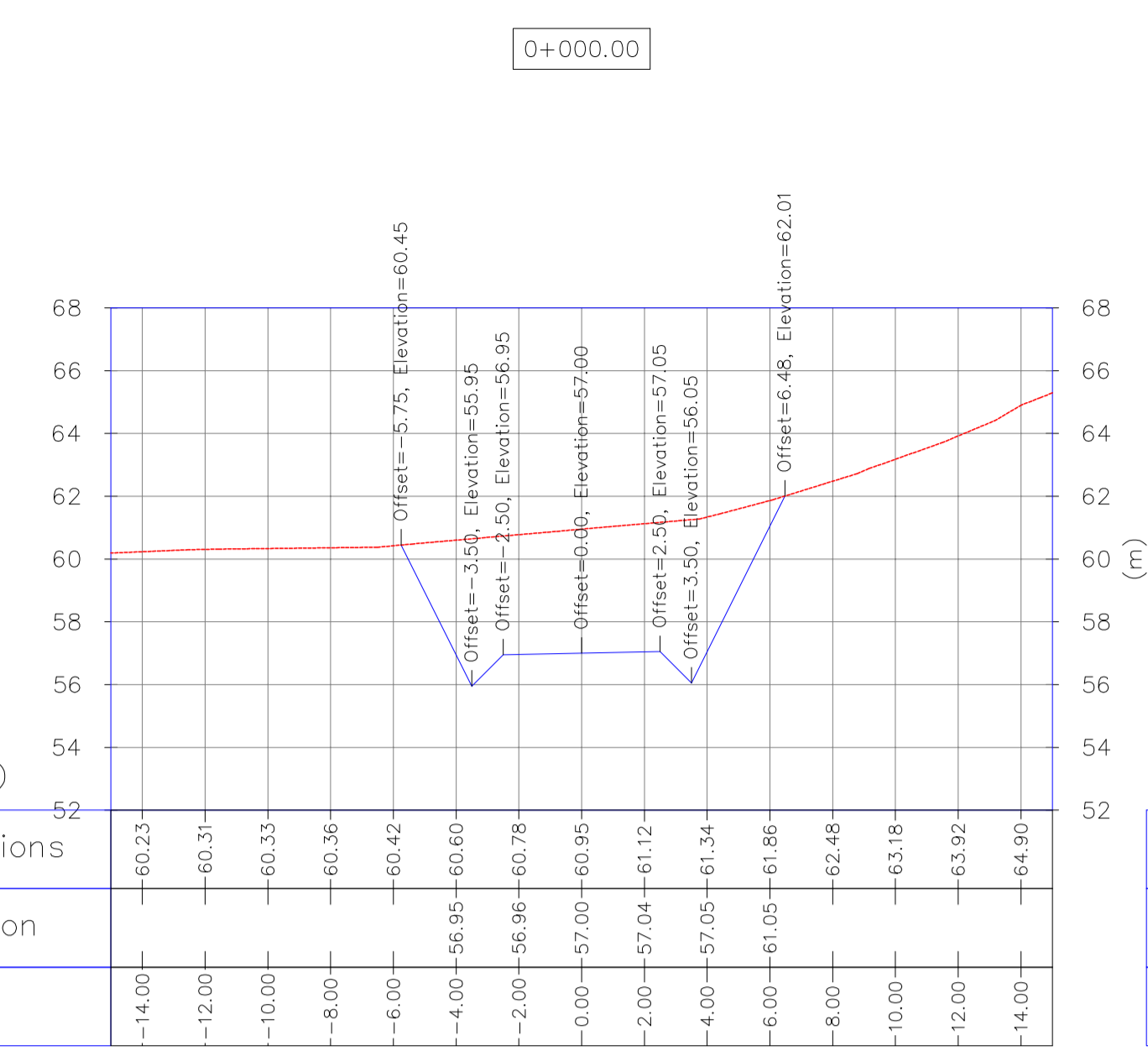
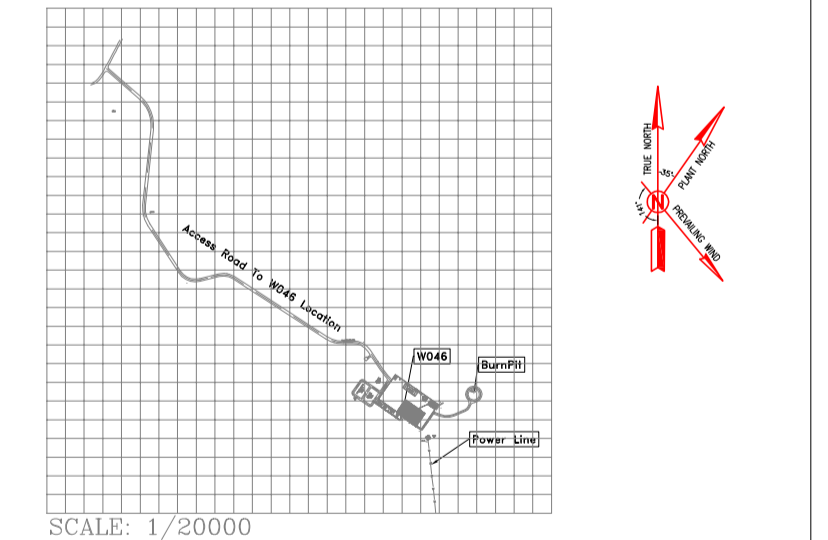
	WELL LOCATION		CANAL
	WELL		RIVER
	SITE		WATER COURSE
	CAMP SITE		CONTOURS
	ASPHALT ROAD		SPOT HEIGHT
	GRAVEL ROAD		BENCH MARK
	PROPOSED ROAD		BRIDGE
	DAYLIGHT		CULVERT

REFERENCE DRAWING	DRG. No.
General Civil Layout - W046S	BK-W046S-PEDCO-110-CV-PY-0001
Rough Grading Plans - W046S	BK-W046S-PEDCO-110-CV-DW-0001
Standard Drawing For Culvert & Details	BK-GNRL-PEDCO-000-CV-DW-0014
Specification For Road & Paving	BK-GNRL-PEDCO-000-CV-SP-0002
Standard Drawing For Slope Protection Details	BK-GNRL-PEDCO-000-CV-DW-0002
Specification For Earth Work	BK-GNRL-PEDCO-000-CV-SP-0004
Standard Pipe Support Drawings	BK-SSGR-L-PEDCO-110-PI-DW-0001

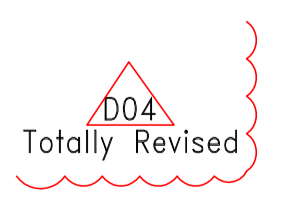
ABBREVIATION

PT= POINT
 PVI= POINT OF VERTICAL INTERSECTION
 LVC= LENGTH OF VERTICAL CURVE
 BVCS= BEG OF VERTICAL CURVE STATION
 BVCE= BEG OF VERTICAL CURVE ELEVATION
 EVCS= END OF VERTICAL CURVE STATION
 EVCE= END OF VERTICAL CURVE ELEVATION

KEY PLAN



Bench Mark List			
Name	Easting(m)	Northing(m)	Elevation(m)
BM46	434828.378	3295176.513	27.976
BM47	434927.199	3294904.707	30.435
GPS3	435475.041	3294403.599	66.867
GPS1	435686.115	3294303.397	78.025



REV.	DATE	P.O.I.S	PREP.	CHK.	APP.	AUT.
D04	MAY.2023	AFC	R. BERLOUEI	M.PAKHARIAN	A.M.MOHSSENI	***
D03	DEC.2022	IFA	R. BERLOUEI	M.PAKHARIAN	M.MEHRSHAD	***
D02	SEP.2022	IFA	R. BERLOUEI	M.PAKHARIAN	M.MEHRSHAD	***
D01	JUL.2022	IFA	R. BERLOUEI	M.PAKHARIAN	M.MEHRSHAD	***
D00	MAY.2022	IPC	R. BERLOUEI	M.PAKHARIAN	M.MEHRSHAD	***

PROJECT NAME: BINAK OILFIELD DEVELOPMENT/SUB-SURFACE WORK PACKAGES W046S WELLHEAD FACILITIES									
PROJECT NO.: 971020				EPD/EPC CONTRACTOR(GC):					
EPC CONTRACTOR:				PETROIRAN DEVELOPMENT COMPANY					
DRAWING TITLE: CIVIL AND STRUCTURAL DRAWINGS-W046S									
BUDGET REF. LOCATION SIZE CLASS SERIAL NO. SHEET REVISION									
053	073	9184	F	4	S	707654	43	D04	

1:200 Burn Pit Road Transversal Sections

NOTES

- ALL COORDINATES AND ELEVATIONS ARE IN METER.
- ALL DRAWINGS SHALL BE CHECKED BY CONTRACTOR WITH RELATIVE DRAWINGS BEFORE CONSTRUCTION.
- GEODETIC PARAMETERS FOR COORDINATES ARE AS BELOW:
 HORIZONTAL COORDINATE SYSTEM: WGS84/UTM ZONE 39
 ELLIPSOID: WORLD GEODETIC SYSTEM 1984 (WGS84)
 MAP PROJECTION: UNIVERSAL TRANSVERSE MERCATOR (UTM)
 VERTICAL DATUM: MSL
- THE SUITABLE MATERIAL FOR FILLING SHALL BE COLLECTED BASED ON TO THE BELOW RULES:
 - PROJECT GEOTECHNICAL INVESTIGATION REPORT, BORROW MATERIALS AND SPECIFICATION STUDY PART.
 - "GENERAL SPECIFICATION FOR ROAD" NO. 101, SECTION 207, PLAN PLANNING AND BUDGET ORGANIZATION.
 - PROJECT GENERAL SPECIFICATION "SPECIFICATION FOR EARTH WORK" DOCUMENT NUMBER "BK-GNRL-PEDCO-000-CV-SP-0004".
 - GEOTECHNICAL REPORTS AND CLIENT'S SITE SUPERVISORY BODY RECOMMENDATIONS AND APPROVALS.
- BEFORE ANY EARTH WORK ACTIVITIES (CUT OR FILL), TOP AND UNSUITABLE SOIL (MARN...) SHALL BE REMOVED AS GEOTECHNICAL RECOMMENDATION AND SUPERVISOR'S REQUIREMENTS.

LEGEND

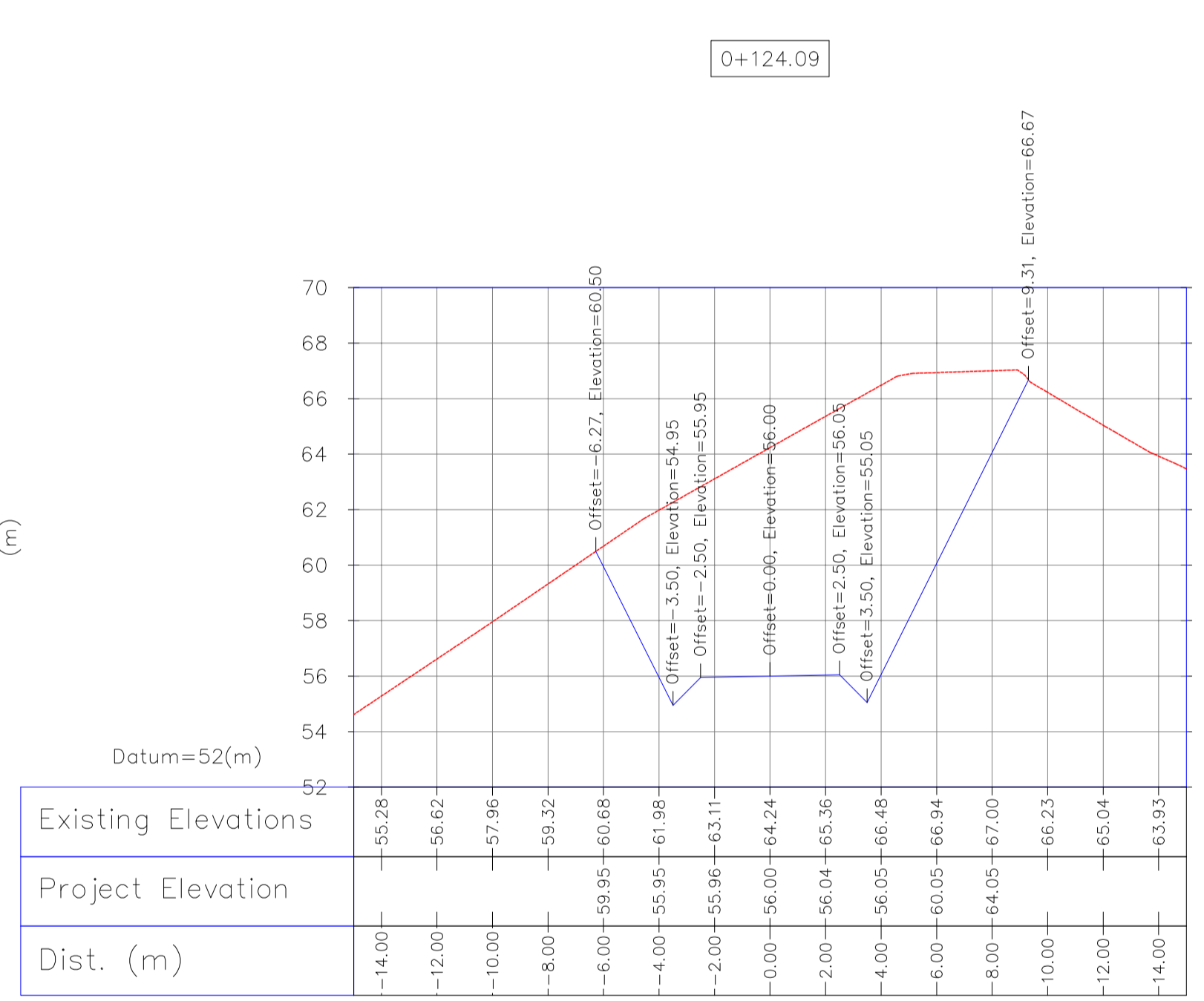
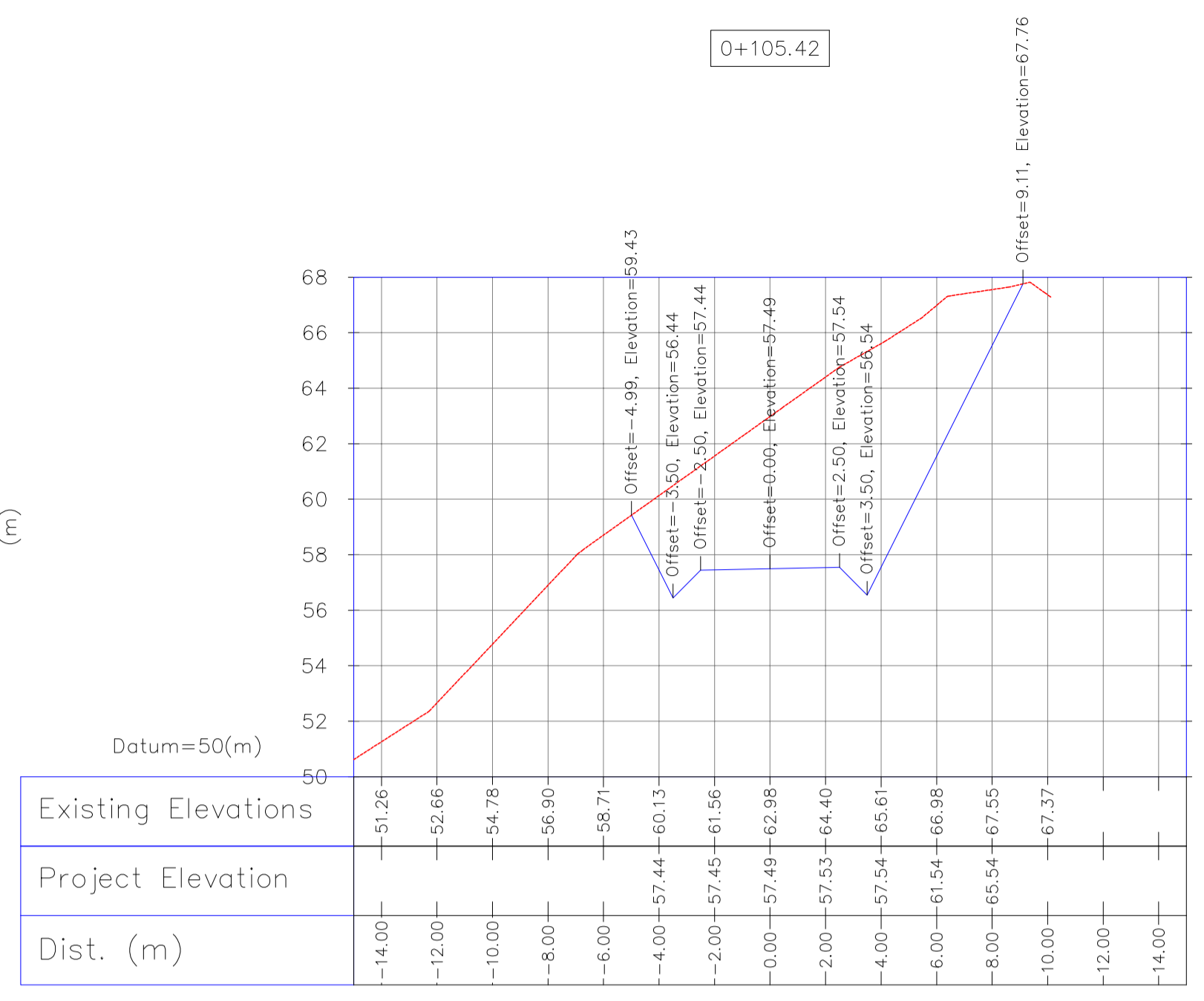
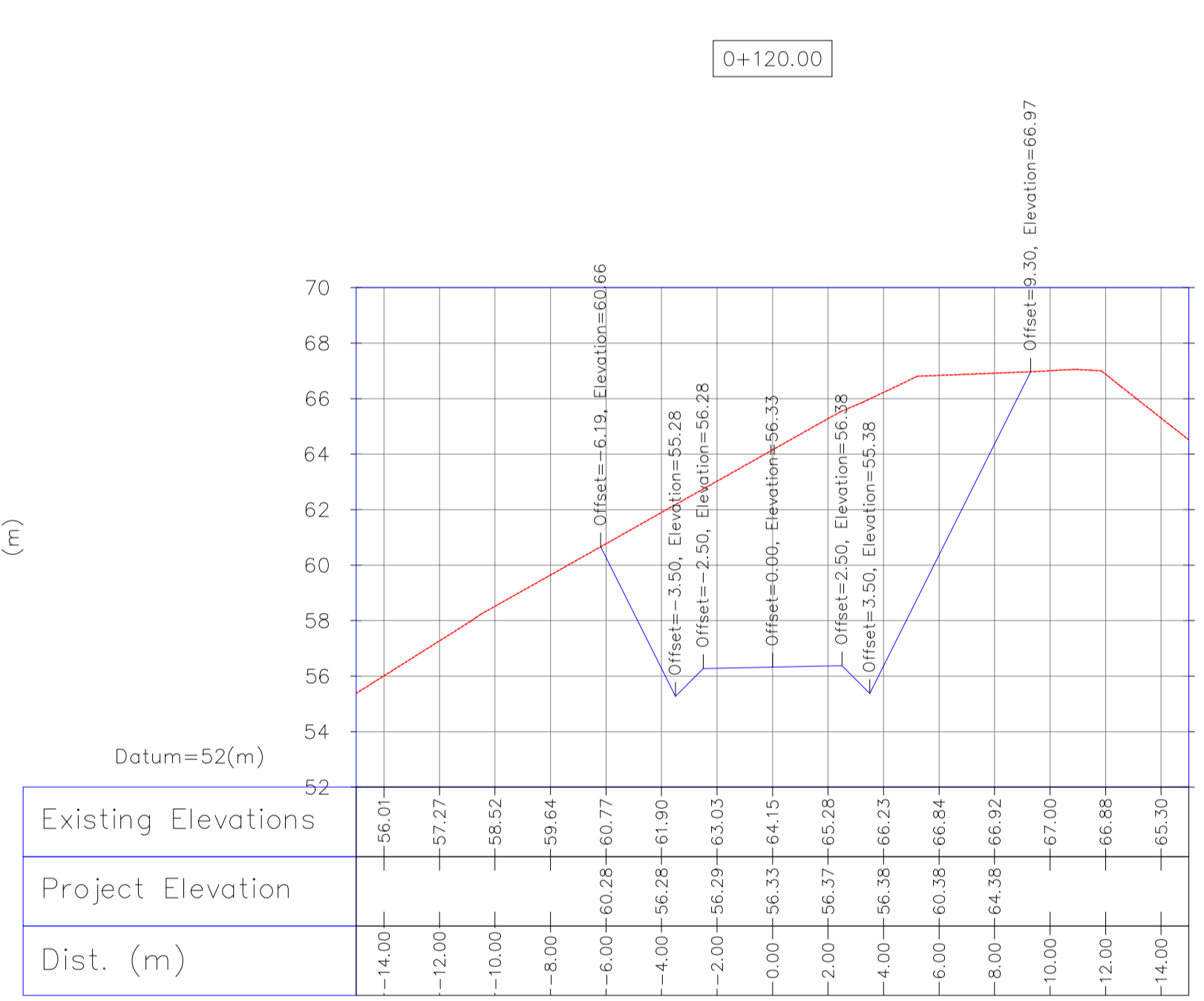
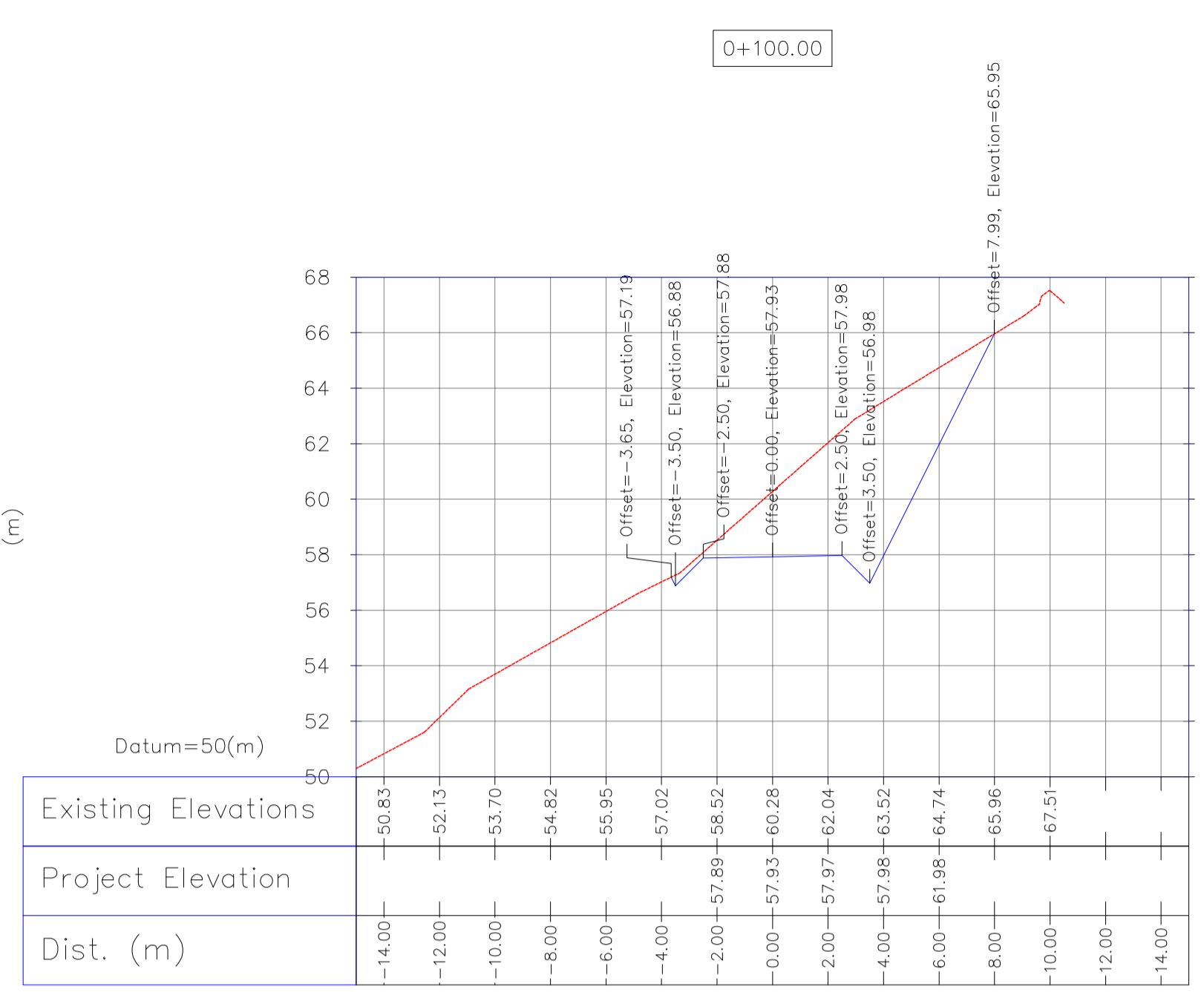
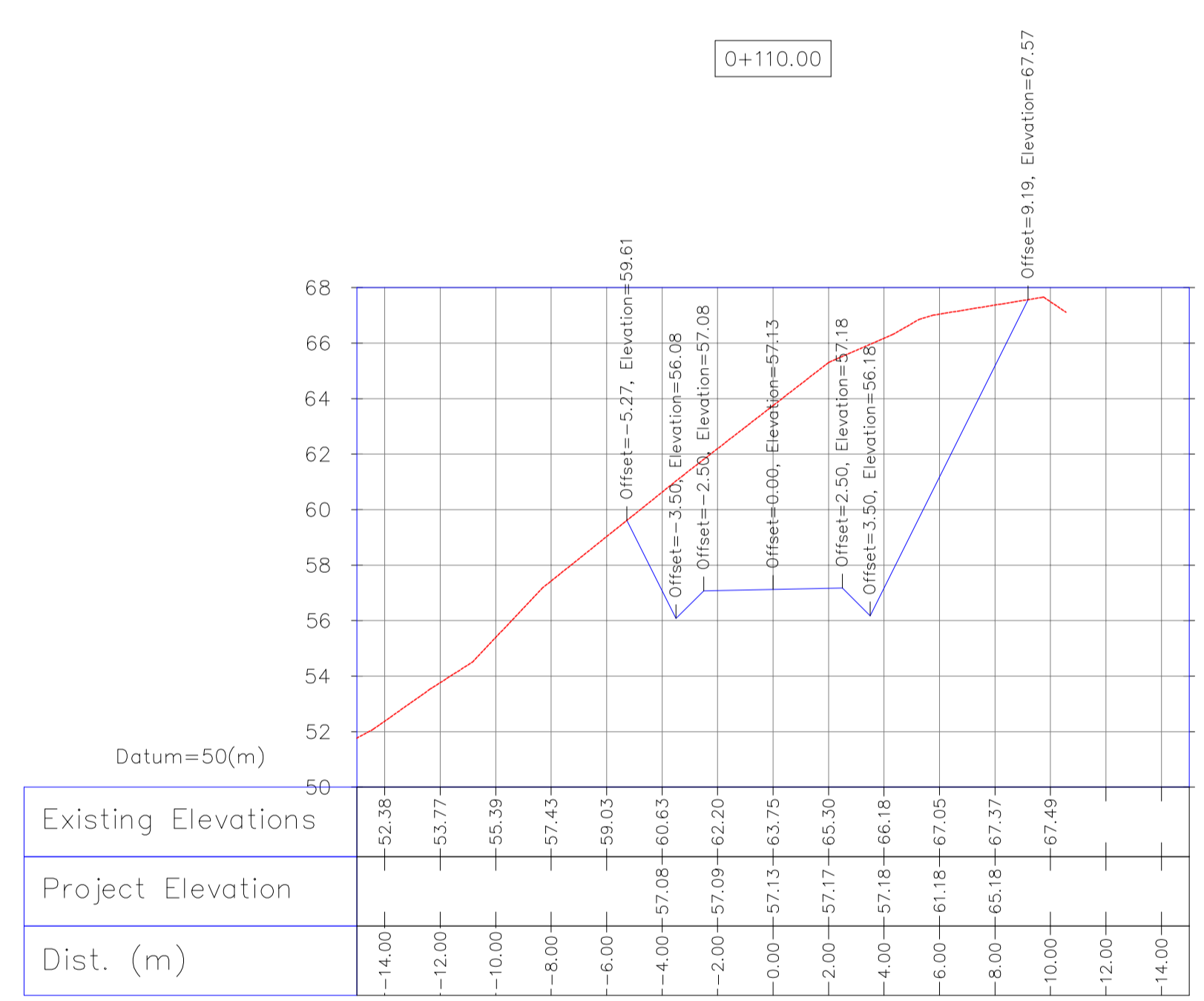
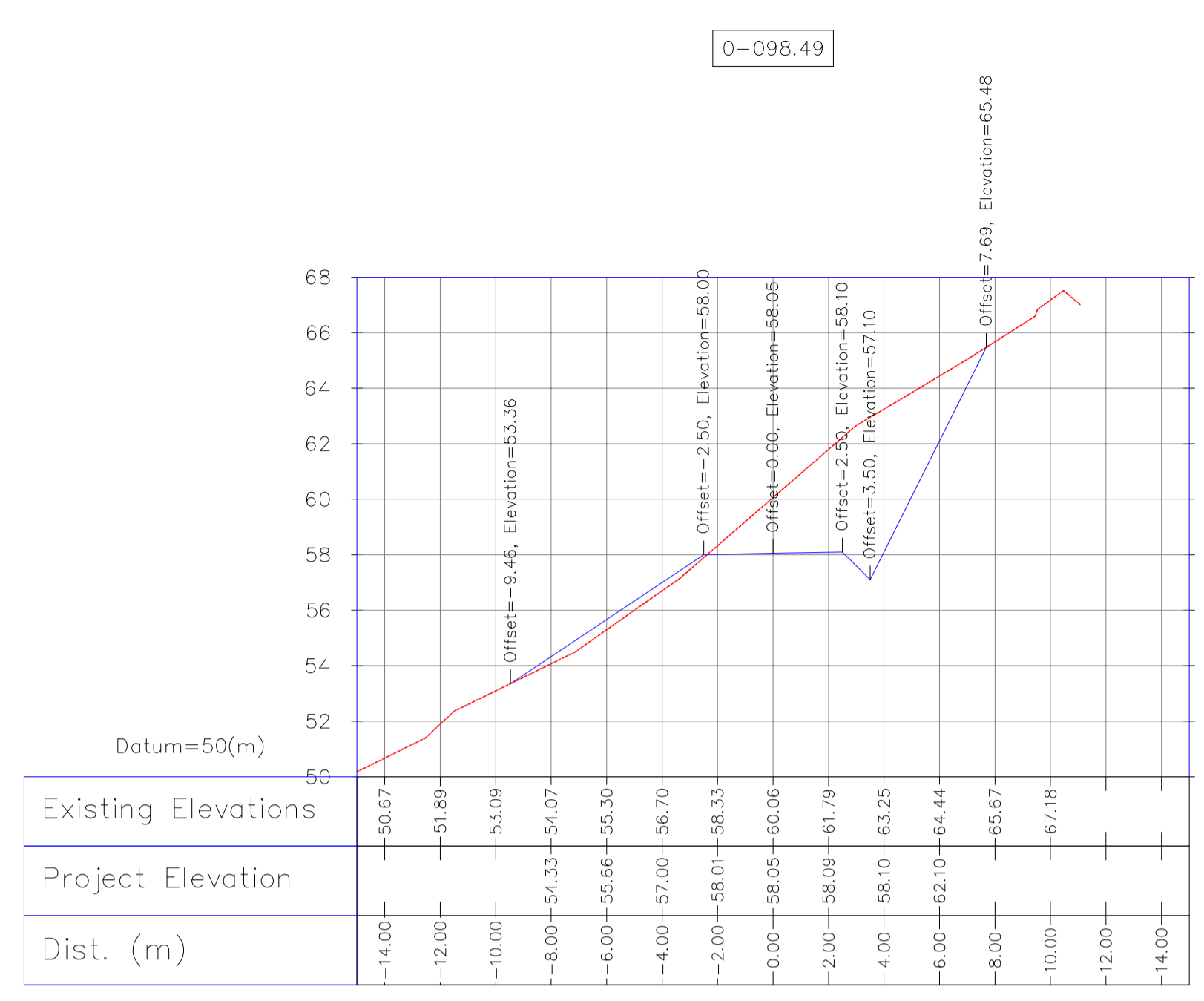
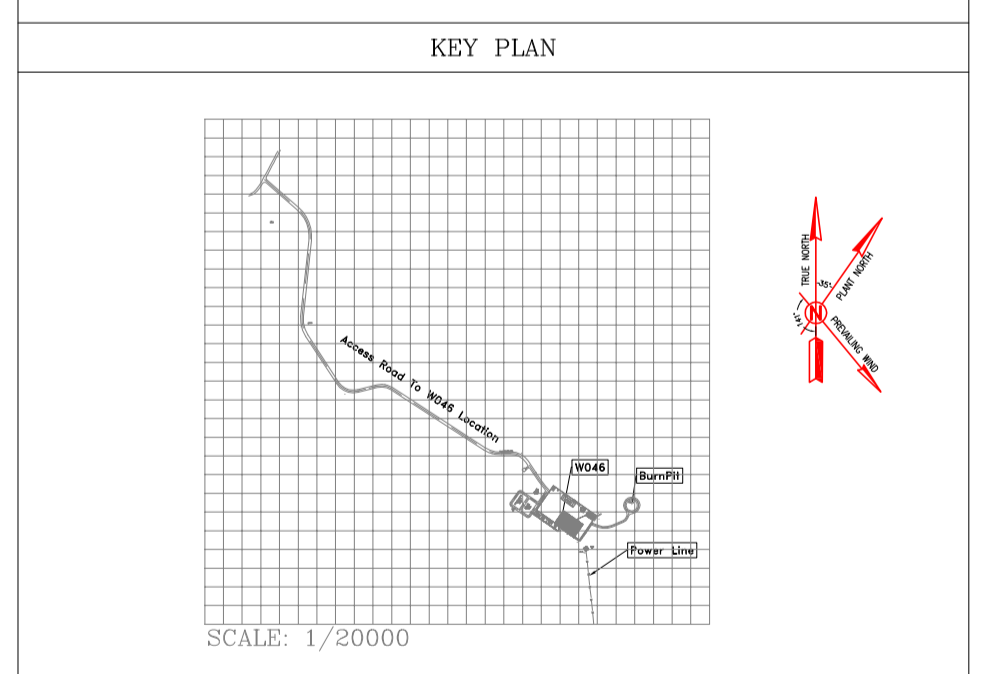
	WELL LOCATION		CANAL
	WELL		RIVER
	SITE		WATER COURSE
	CAMP SITE		CONTOURS
	ASPHALT ROAD		SPOT HEIGHT
	GRAVEL ROAD		BENCH MARK
	PROPOSED ROAD		BRIDGE
	DAYLIGHT		CULVERT

REFERENCE DRAWING

General Civil Layout - W046S	DRG. No.
Rough Grading Plans - W046S	BK-W046S-PEDCO-110-CV-PY-0001
Standard Drawing For Culvert & Details	BK-GNRL-PEDCO-000-CV-DW-0014
Specification For Road & Paving	BK-GNRL-PEDCO-000-CV-SP-0002
Standard Drawing For Slope Protection Details	BK-GNRL-PEDCO-000-CV-DW-0002
Specification For Earth Work	BK-GNRL-PEDCO-000-CV-SP-0004
Standard Pipe Support Drawings	BK-SSRGL-PEDCO-110-PI-DW-0001

ABBREVIATION

PT= POINT
 PVI= POINT OF VERTICAL INTERSECTION
 LVC= LENGTH OF VERTICAL CURVE
 BVCS= BEGN OF VERTICAL CURVE STATION
 BVCE= BEGN OF VERTICAL CURVE ELEVATION
 EVCS= END OF VERTICAL CURVE STATION
 EVCE= END OF VERTICAL CURVE ELEVATION



Bench Mark List

Name	Easting(m)	Northing(m)	Elevation(m)
BM46	434828.378	3295176.513	27.976
BM47	434927.199	3294904.707	30.435
GPS3	435475.041	3294403.599	66.867
GPS1	435686.115	3294303.397	78.025

REV.	DATE	DESCRIPTION	BY	DATE	BY	DATE
D04	MAY.2023	AFC	R. BERLOUEI	M.PAKHARIAN	A.M.MOHSSENI	***
D03	DEC.2022	IFA	R. BERLOUEI	M.PAKHARIAN	M.MEHRSHAD	***
D02	SEP.2022	IFA	R. BERLOUEI	M.PAKHARIAN	M.MEHRSHAD	***
D01	JUL.2022	IFA	R. BERLOUEI	M.PAKHARIAN	M.MEHRSHAD	***
D00	MAY.2022	IFC	R. BERLOUEI	M.PAKHARIAN	M.MEHRSHAD	***

PROJECT NAME: BINAK OILFIELD DEVELOPMENT/SUB-SURFACE WORK PACKAGES W046S WELLHEAD FACILITIES

PROJECT NO.: 971020

EPC CONTRACTOR: HIRGAN ENERGY - DESIGN & INSPECTION COMPANIES

EPD/EPC CONTRACTOR(GC): PETROIRAN DEVELOPMENT COMPANY

DRAWING TITLE: CIVIL AND STRUCTURAL DRAWINGS-W046S BURN PTT ROAD TRANSVERSAL SECTIONS 9810780-26194(m)

SCALE: AS SHOWN

DRAWING NO. BK-W046S-PEDCO-110-CV-PY-0002

SHEET NO. 45 OF 46

REV. D04

BUDGET REF. LOCATION SIZE CLASS SERIAL NO. SHEET REVISION

053-073-9184 F 4 S 707654 45 D04

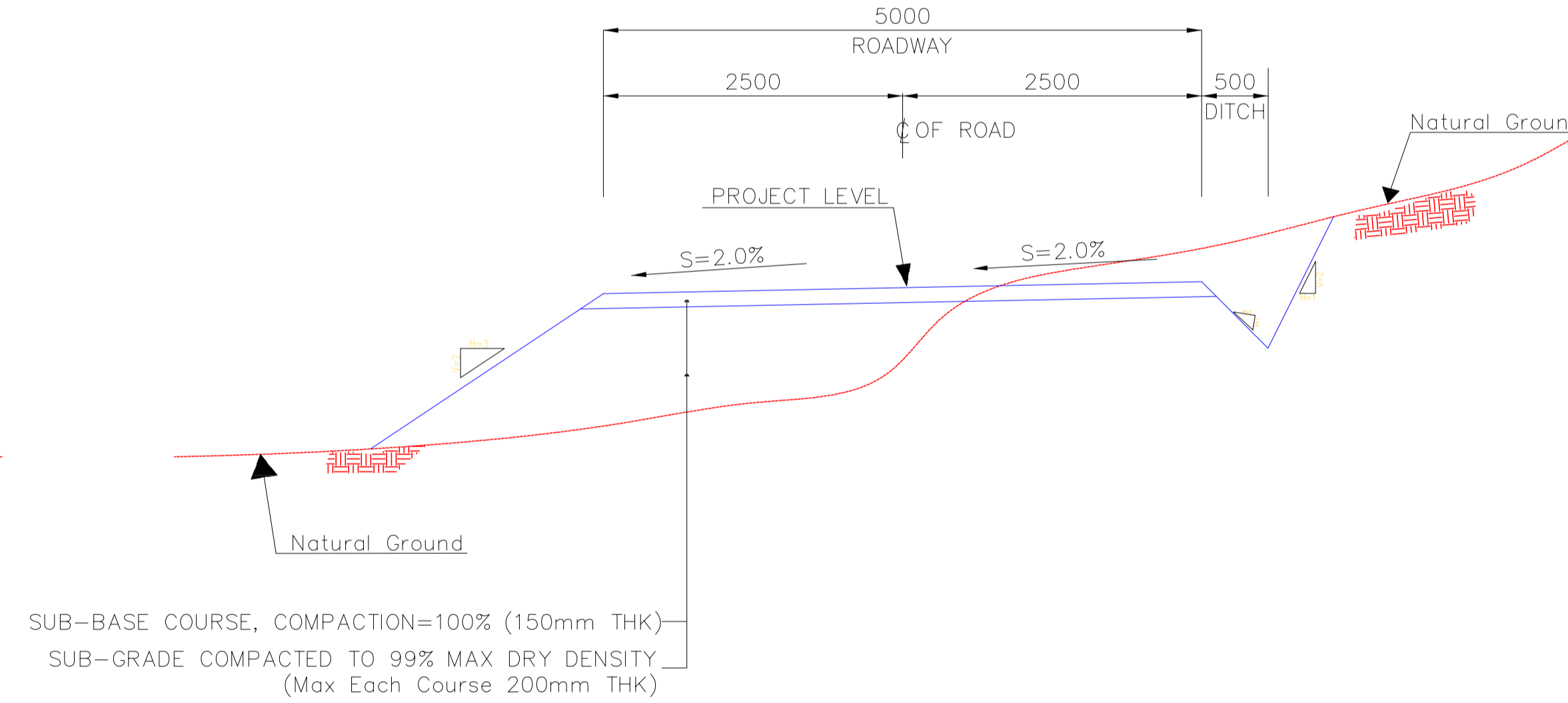
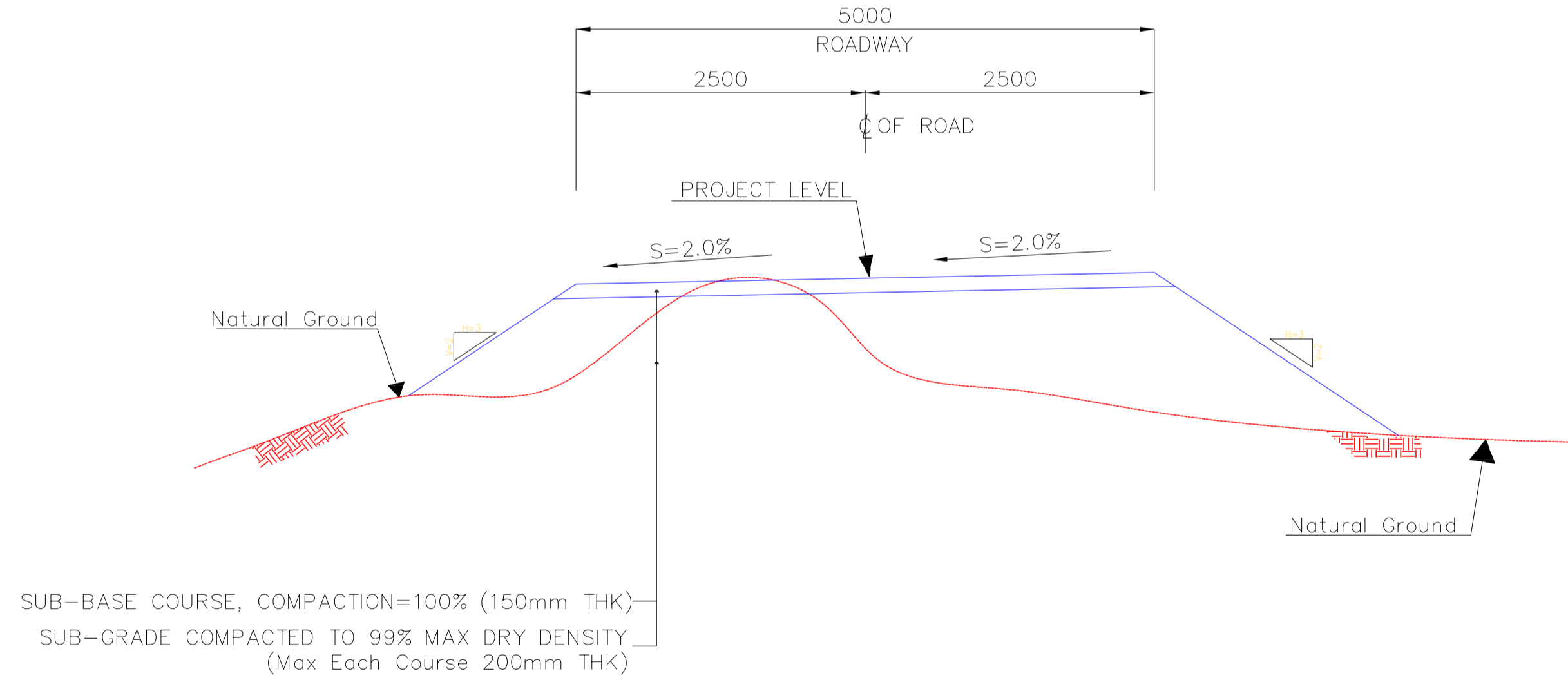
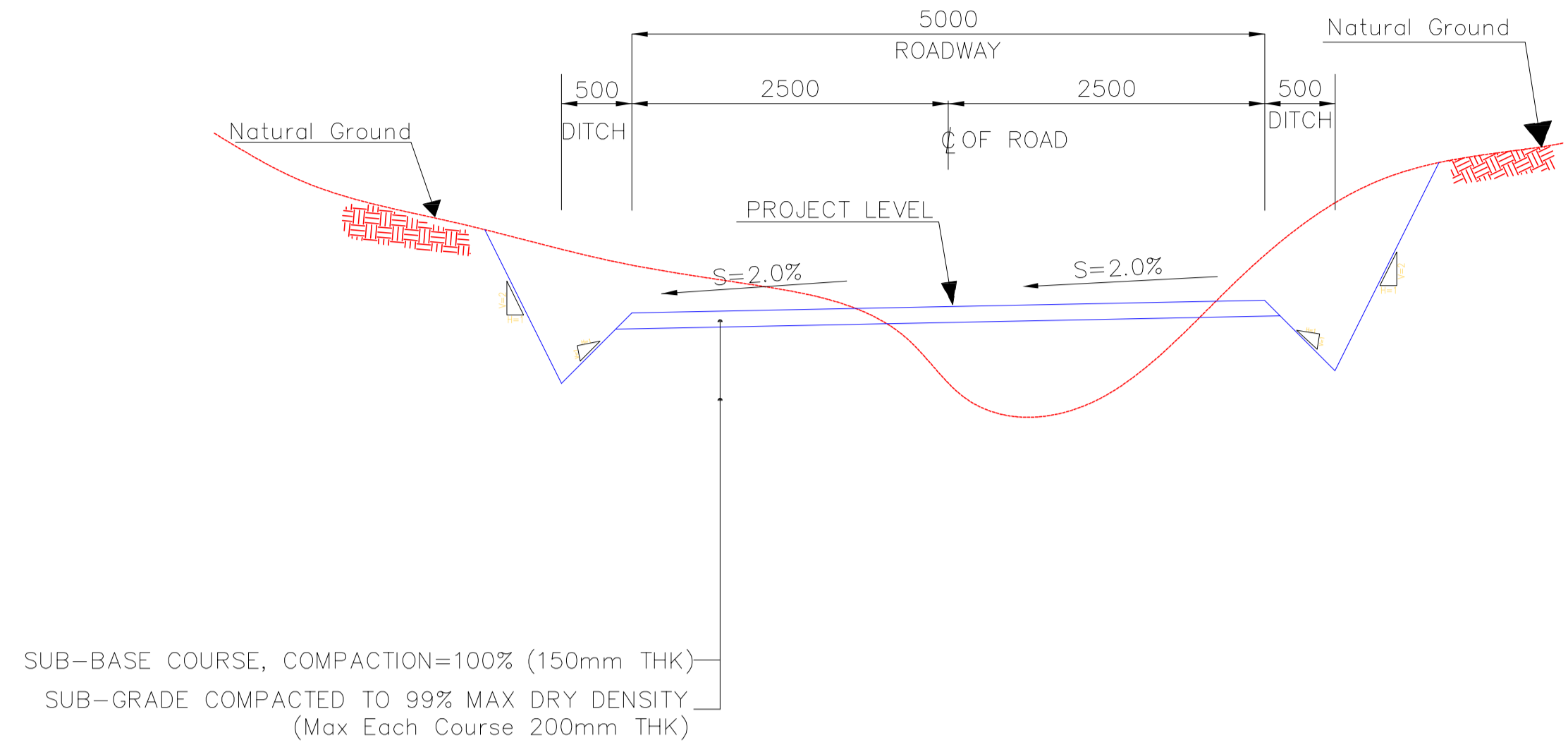
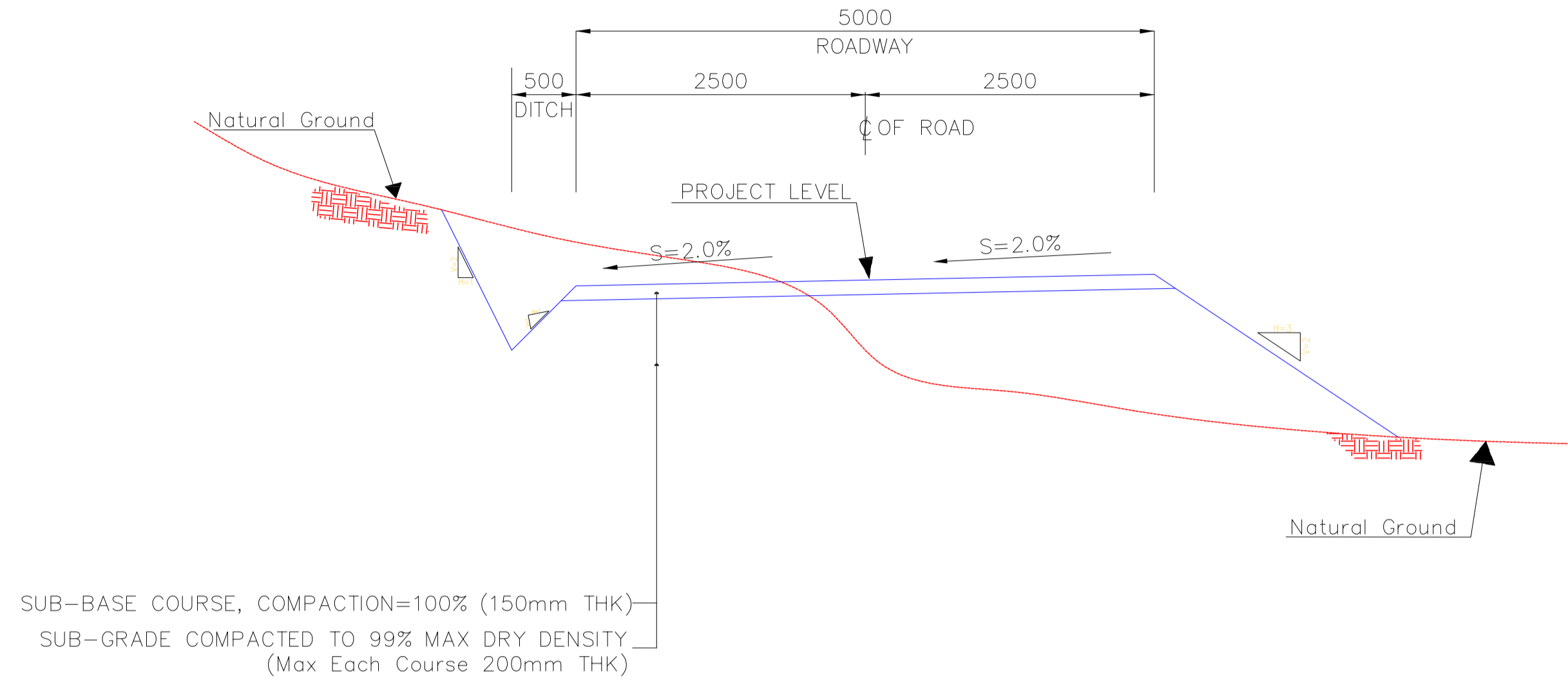
THE ORIGINAL AND ALL COPIES OF THIS DRAWING TOGETHER WITH THE COPYRIGHT THEREIN ARE THE SOLE PROPERTY OF N.I.S.O.C./ FIELDS

NO CONSTRUCTION PERMITTED UNLESS DRAWING APPROVED

APPROVED FOR CONSTRUCTION BY: DATE:

1:200 Burn Pit Road Transversal Sections

Totally Revised



N.T.S. 1 TYPICAL CROSS SECTIONS (BURN PIT Road)

Bench Mark List			
Name	Easting(m)	Northing(m)	Elevation(m)
BM46	434828.378	3295176.513	27.976
BM47	434927.199	3294904.707	30.435
GPS3	435475.041	3294403.599	66.867
GPS1	435686.115	3294303.397	78.025

D04
Totally Revised

NOTES

- ALL COORDINATES AND ELEVATIONS ARE IN METER.
- ALL DRAWINGS SHALL BE CHECKED BY CONTRACTOR WITH RELATIVE DRAWINGS BEFORE CONSTRUCTION.
- GEODETIC PARAMETERS FOR COORDINATES ARE AS BELOW:
 HORIZONTAL COORDINATE SYSTEM: WGS84/UTM ZONE 39
 ELLIPSOID: WORLD GEODETIC SYSTEM 1984 (WGS84)
 MAP PROJECTION: UNIVERSAL TRANSVERSE MERCATOR (UTM)
 VERTICAL DATUM: MSL.
- THE SUITABLE MATERIAL FOR FILLING SHALL BE COLLECTED BASED ON TO THE BELOW RULES:
 - PROJECT GEOTECHNICAL INVESTIGATION REPORT, BORROW MATERIALS AND SPECIFICATION STUDY PART.
 - "GENERAL SPECIFICATION FOR ROAD" NO. 101, SECTION 207, IRAN PLANNING AND BUDGET ORGANIZATION.
 - PROJECT GENERAL SPECIFICATION "SPECIFICATION FOR EARTH WORK" DOCUMENT NUMBER "BK-GNRL-PEDCO-000-CV-SP-0004".
 - GEOTECHNICAL REPORTS AND CLIENT'S SITE SUPERVISORY BODY RECOMMENDATIONS AND APPROVALS.
- BEFORE ANY EARTH WORK ACTIVITIES (CUT OR FILL), TOP AND UNSUITABLE SOIL (MARN...) SHALL BE REMOVED AS GEOTECHNICAL RECOMMENDATION AND SUPERVISOR'S REQUIREMENTS.

LEGEND

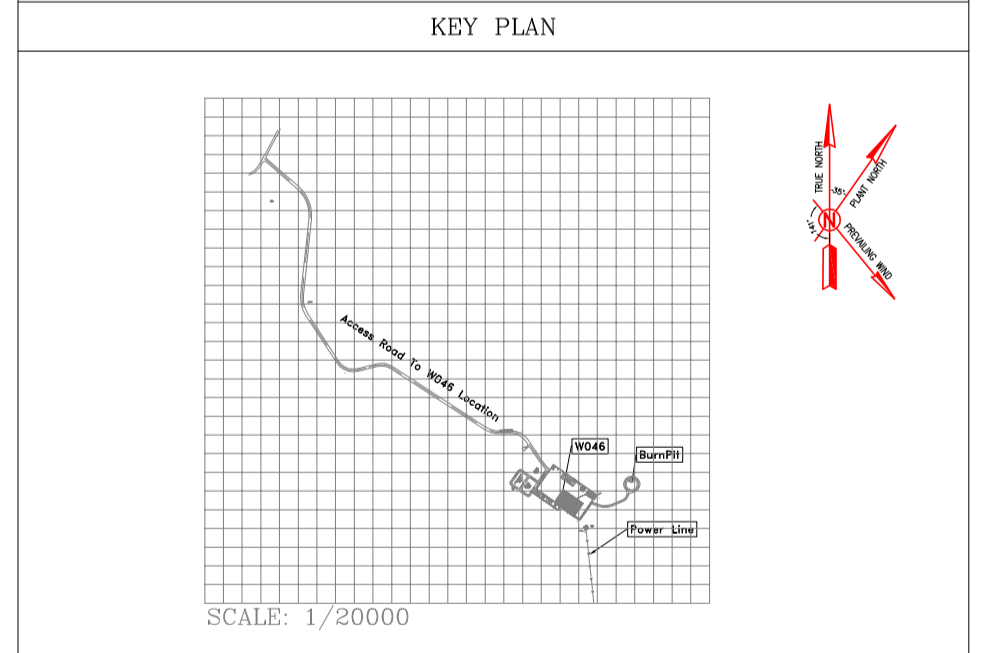
	WELL LOCATION		CANAL
	WELL		RIVER
	SITE		WATER COURSE
	CAMP SITE		CONTOURS
	ASPHALT ROAD		SPOT HEIGHT
	GRAVEL ROAD		BENCH MARK
	PROPOSED ROAD		BRIDGE
	DAYLIGHT		CULVERT

REFERENCE DRAWING

REFERENCE DRAWING	DRG. No.
General Civil Layout - W046S	BK-W046S-PEDCO-110-CV-PY-0001
Rough Grading Plans - W046S	BK-W046S-PEDCO-110-CV-DW-0001
Standard Drawing For Culvert & Details	BK-GNRL-PEDCO-000-CV-DW-0014
Specification For Road & Paving	BK-GNRL-PEDCO-000-CV-SP-0002
Standard Drawing For Slope Protection Details	BK-GNRL-PEDCO-000-CV-DW-0002
Specification For Earth Work	BK-GNRL-PEDCO-000-CV-SP-0004
Standard Pipe Support Drawings	BK-SSGRL-PEDCO-110-PI-DW-0001

ABBREVIATION

PT= POINT
 PVI= POINT OF VERTICAL INTERSECTION
 LVC= LENGTH OF VERTICAL CURVE
 BVCS= BEGN OF VERTICAL CURVE STATION
 BVCE= BEGN OF VERTICAL CURVE ELEVATION
 EVCS= END OF VERTICAL CURVE STATION
 EVCE= END OF VERTICAL CURVE ELEVATION



REV.	DATE	P.O.I.S	PREP.	CHK.	APP.	AUT.
D04	MAY.2023	AFC	R. BERLOUEI	M.PAKHARIAN	A.M.MOHSSENI	***
D03	DEC.2022	IFA	R. BERLOUEI	M.PAKHARIAN	M.MEHRSHAD	***
D02	SEP.2022	IFA	R. BERLOUEI	M.PAKHARIAN	M.MEHRSHAD	***
D01	JUL.2022	IFA	R. BERLOUEI	M.PAKHARIAN	M.MEHRSHAD	***
D00	MAY.2022	IFC	R. BERLOUEI	M.PAKHARIAN	M.MEHRSHAD	***

PROJECT NAME: BINAK OILFIELD DEVELOPMENT/SUB-SURFACE WORK PACKAGES W046S WELLHEAD FACILITIES

PROJECT NO.: 971020

EPC CONTRACTOR: HIRGAN ENERGY - DESIGN & INSPECTION COMPANIES

EPD/EPC CONTRACTOR(GC): PETROIRAN DEVELOPMENT COMPANY

DRAWING TITLE: CIVIL AND STRUCTURAL DRAWINGS-W046S
 Typical Cut&Fill Cross Sections(Burn Pit Road)

SCALE: AS SHOWN SIZE: A1 DRAWING NO.: BK-W046S-PEDCO-110-CV-PY-0002 SHEET NO.: 46 OF 46 REV.: D04

THE ORIGINAL AND ALL COPIES OF THIS DRAWING TOGETHER WITH THE COPYRIGHT THEREIN ARE THE SOLE PROPERTY OF N.I.S.O.C./ FIELDS

DATE	SCALE	DRAWING BY	CHECKED BY	PROJECT ENG.

NO CONSTRUCTION PERMITTED UNLESS DRAWING APPROVED

APPROVED FOR CONSTRUCTION	BY:	DATE:

BUDGET REF.	LOCATION	SIZE	CLASS	SERIAL NO.	SHEET	REVISION
053-073-9184	F	4	S	707654	46	D04