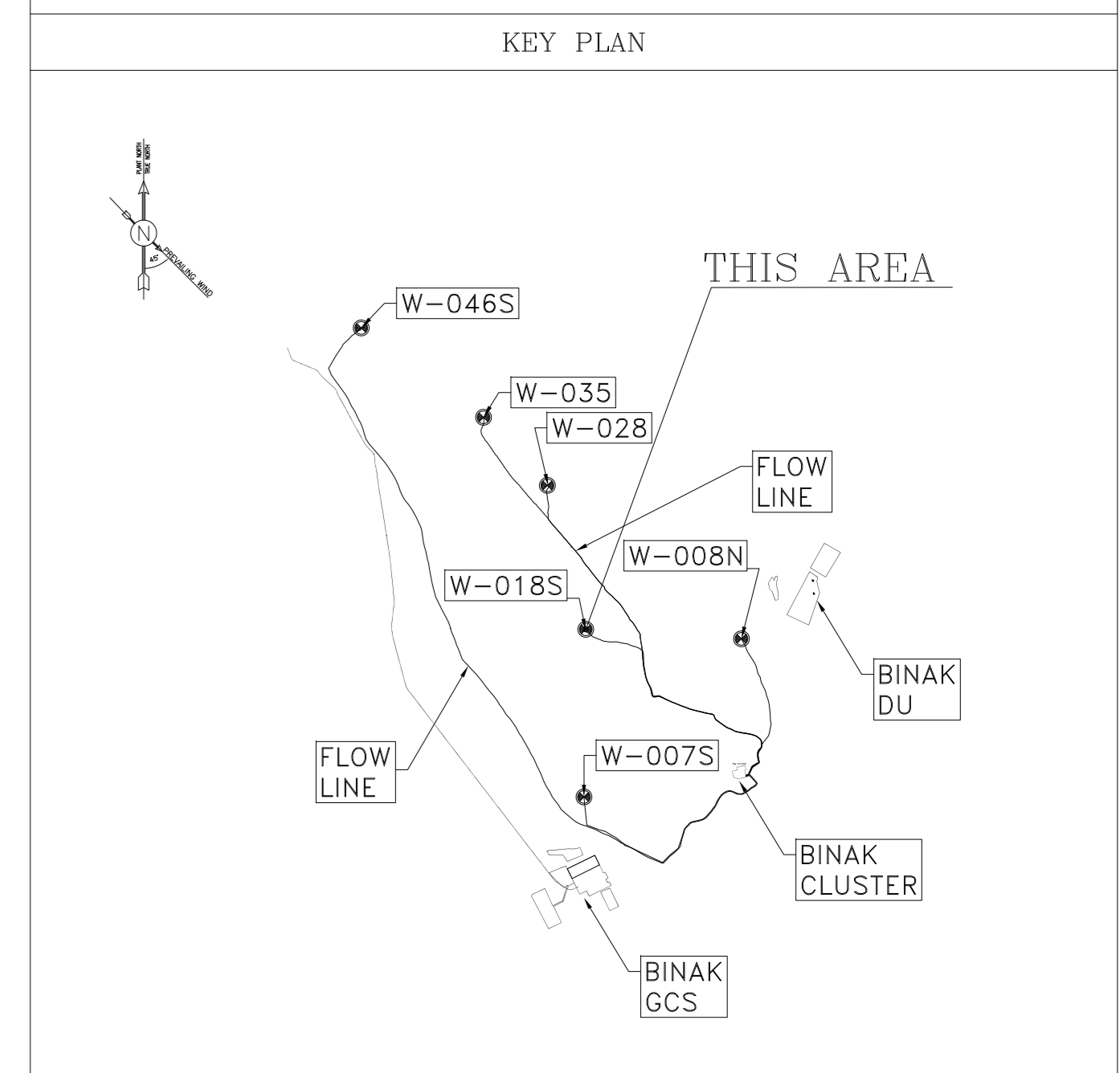


- NOTES**
- 1- ALL DIMENSIONS ARE IN MILLIMETERS, EXCEPT OTHERWISE NOTED.
 - 2- ALL COORDINATES AND ELEVATIONS ARE IN METERS.
 - 3- ALL COORDINATES OF THIS PLAN ARE LOCAL.
 - 4- H.P.P. 100.00m CORRESPONDING TO 34.26 M.S.L.
 - 5- SHOWED PIPING / PIPELINES AND RELEVANT SUPPORTS, ARE INDICATIVE.
 - 6- DIMENSIONS OF W.H.C.P. AND RELEVANT SHELTER WILL BE FINALIZED.
 - 7- REFERENCE COORDINATES E=1000.000 , N=1000.000 REFER TO X=437440.362 , Y=3291914.119 UTM.
 - 8- FOR DETAIL OF BURN PIT & ACCESS ROAD SEE BK-W018S-PEDCO-110-CV-PY-0002

LEGEND & ABBREVIATIONS

WP	WORKING POINT ELEVATION (CENTER OF PIPE ELEVATION)
PF	PLATFORM
BOP	BOTTOM OF PIPE ELEVATION
TOS	TOP OF STEEL ELEVATION
FGL	FINISH GRADE LEVEL
HPG	HIGH POINT OF GRAVEL
HPP	HIGH POINT OF PAVEMENT
MSL	MEAN SEA LEVEL
SS	STRUCTURE SUPPORT
PS	PIPE SUPPORT
SPS	SPECIAL PIPE SUPPORT
FCS	FOR CONTINUE SEE
∇	SLOPE
H.P.P.	HIGH POINT PAVING
W.H.C.P.	WELL HEAD CONTROL PANEL
---	FENCE
- - - -	MATCH LINE
○	WELL LOCATION
---	SURFACE WATER TRENCH
	GRATING

REFERENCE DRAWING	DRG. No.
GENERAL CIVIL LAYOUT - W018S	BK-W018S-PEDCO-110-CV-PY-0001
CIVIL AND STRUCTURAL DRAWINGS - W018S	BK-W018S-PEDCO-110-CV-PY-0002
PAID - W018S	BK-W018S-PEDCO-110-PR-PI-0001
PLOT PLAN DRAWING - W018S	BK-W018S-PEDCO-110-PI-PY-0001
ROUGH GRADING PLANS - W018S	BK-W018S-PEDCO-110-CV-DW-0001
FLOW LINE PLAN & PROFILE DRAWINGS - W018S	BK-W018S-PEDCO-110-SU-DW-0001



اینجا ما این نقشه جهت نمایش موقعیت اولیه ها در هر صفحه ارائه شده است

اینجا ما این نقشه جهت نمایش موقعیت اولیه ها در هر صفحه ارائه شده است

اینجا ما این نقشه جهت نمایش موقعیت اولیه ها در هر صفحه ارائه شده است

اینجا ما این نقشه جهت نمایش موقعیت اولیه ها در هر صفحه ارائه شده است

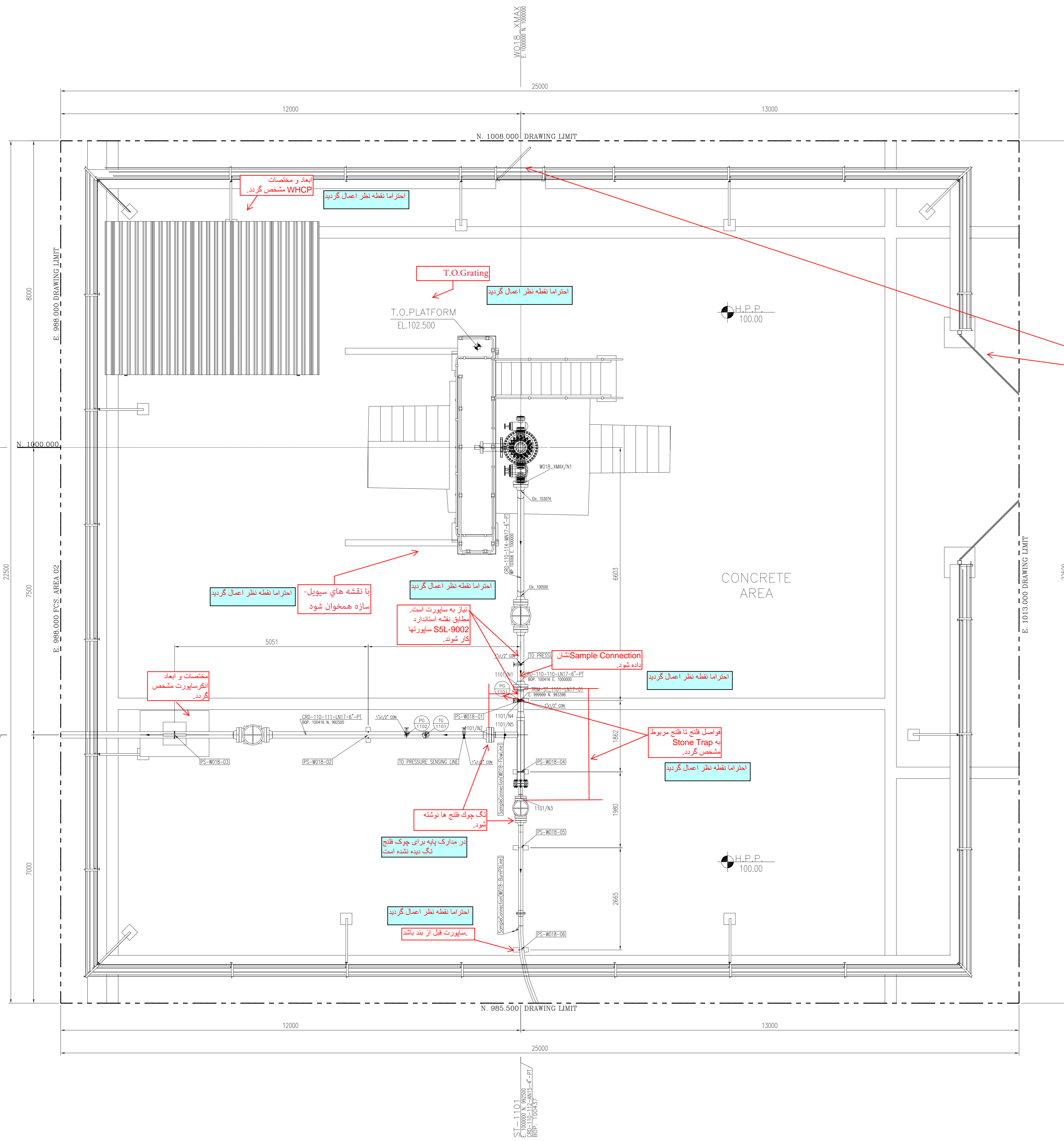
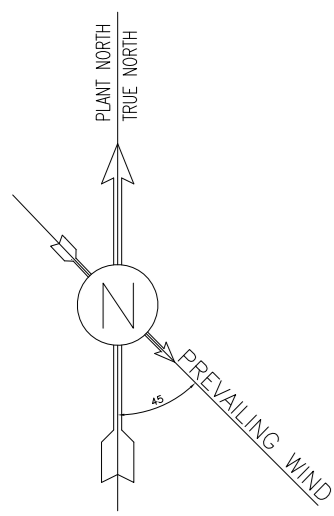
اینجا ما این نقشه جهت نمایش موقعیت اولیه ها در هر صفحه ارائه شده است

اینجا ما این نقشه جهت نمایش موقعیت اولیه ها در هر صفحه ارائه شده است

اینجا ما این نقشه جهت نمایش موقعیت اولیه ها در هر صفحه ارائه شده است

OVERALL PIPING PLAN
WELLHEAD: W018S SC: 1/500

REV.	DATE	DESCRIPTION	BY	DATE	BY	DATE					
DOO	NOV.2022	IPC	M.NOORI	M.FAKHARIAN	M.MEHRSHAD	***					
REV.	DATE	P.O.I.S	PREP.	CHK.	APP.	AUT.					
PROJECT NAME: BINAK OILFIELD DEVELOPMENT/SUB-SURFACE WORK PACKAGES W018S WELLHEAD FACILITIES											
PROJECT NO.: 971020											
EPC CONTRACTOR:			GENERAL CONTRACTOR:								
 HIRGAN ENERGY - DESIGN & INSPECTION COMPANIES			 PETROIRAN DEVELOPMENT COMPANY								
DRAWING TITLE: PIPING PLAN - W018S											
NO CONSTRUCTION PERMITTED UNLESS DRAWING APPROVED											
APPROVED FOR CONSTRUCTION BY: DATE:											
SCALE	SIZE	DRAWING NO.	SHEET NO.	REV.	BUDGET REF.	LOCATION	SIZE	CLASS	SERIAL NO.	SHEET	REVISION
AS SHOWN	A0	BK-W018S-PEDCO-110-PI-DW-0001	1 OF 4	DOO	053-073-9184	F	4	L	707434	1 OF 4	DOO



AREA 01
E. 92000 ~ EL. 104000 SC:1/50

NO.	SIZE	ORIENT.	RATING	CODE	ELEV.	PROJ.
W018_XMAX GRID NO.(12-I)						
W018_XMAX/N1	6"	180	CL 1500F RTF	ANSI B16.5	103074	-
ST-1101 GRID NO.(12-L)						
1101/N1	6"	0	CL 125F FF	-	100500	-
1101/N2	6"	270	CL 125F FF	-	100500	-
1101/N3	4"	180	CL 125F FF	-	100500	-
1101/N4	1"	BOTTOM	-	-	100575	-
1101/N5	1"	BOTTOM	-	-	100575	-

- NOTES**
- 1- ALL DIMENSIONS ARE IN MILLIMETERS, EXCEPT OTHERWISE NOTED.
 - 2- ALL COORDINATES AND ELEVATIONS ARE IN METERS.
 - 3- ALL COORDINATES OF THIS PLAN ARE LOCAL.
 - 4- H.P.P. 100.00m CORRESPONDING TO 34.26 M.S.L.
 - 5- SHOWN PIPING / PIPELINES AND RELEVANT SUPPORTS, ARE INDICATIVE.
 - 6- DIMENSIONS OF W.H.C.P. AND RELEVANT SHELTER WILL BE FINALIZED.
 - 7- REFERENCE COORDINATES E=1000.000 , N=1000.000 REFER TO X=437440.362 , Y=5291914.119 UTM.
 - 8- FOR DETAIL OF BURN PIT & ACCESS ROAD SEE BK-W018S-PEDCO-110-CV-PY-0002

LEGEND & ABBREVIATIONS

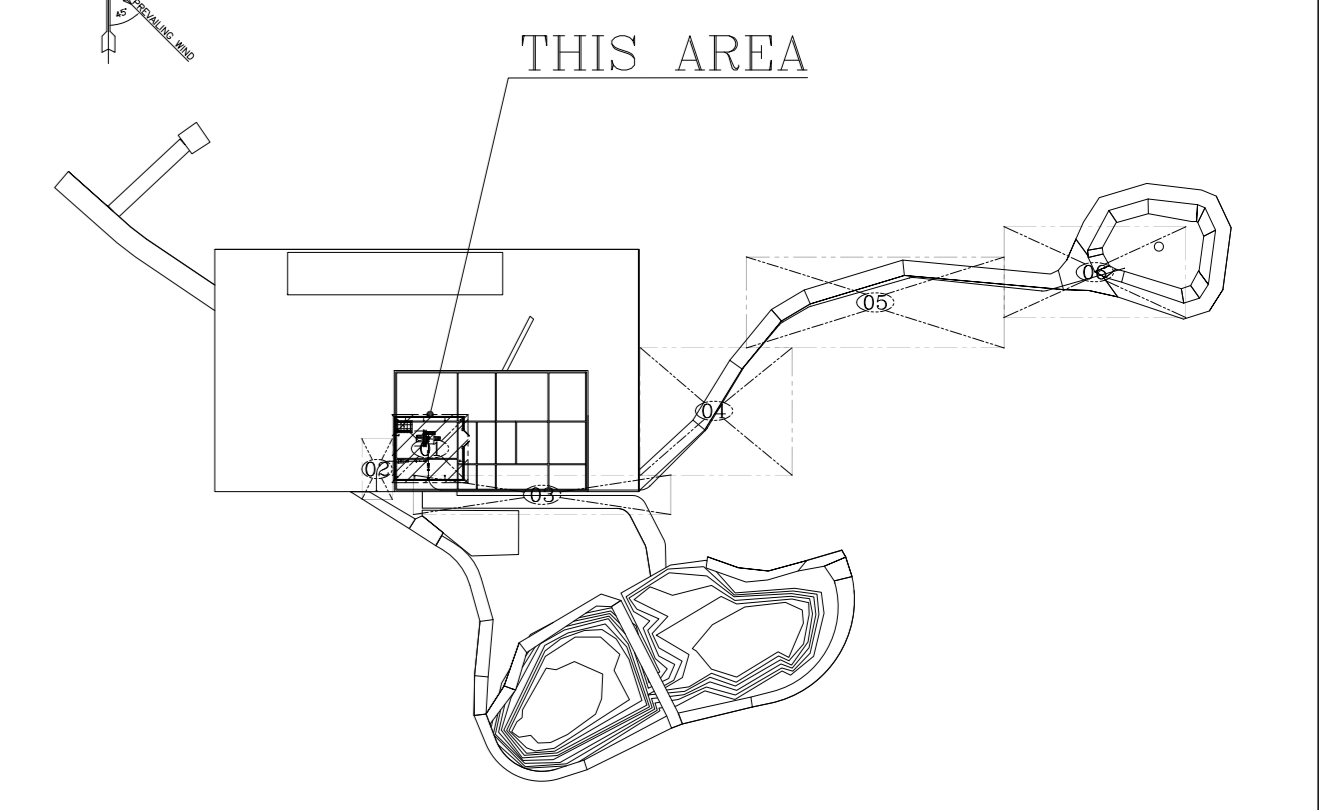
WP	WORKING POINT ELEVATION (CENTER OF PIPE ELEVATION)
PF	PLATFORM
BOP	BOTTOM OF PIPE ELEVATION
TOS	TOP OF STEEL ELEVATION
FGL	FINISH GRADE LEVEL
HPC	HIGH POINT OF GRAVEL
HPP	HIGH POINT OF PAVEMENT
MSL	MEAN SEA LEVEL
SS	STRUCTURE SUPPORT
PS	PIPE SUPPORT
SPS	SPECIAL PIPE SUPPORT
FCS	FOR CONTINUE SEE
∇	SLOPE

H.P.P.	HIGH POINT PAVING
W.H.C.P.	WELL HEAD CONTROL PANEL
— — — — —	FENCE
- - - - -	MATCH LINE
○	WELL LOCATION
— — — — —	SURFACE WATER TRENCH
	GRATING

REFERENCE DRAWING	DRG. No.
GENERAL CIVIL LAYOUT - W018S	BK-W018S-PEDCO-110-CV-PY-0001
CIVIL AND STRUCTURAL DRAWINGS - W018S	BK-W018S-PEDCO-110-CV-PY-0002
PAID - W018S	BK-W018S-PEDCO-110-PR-PI-0001
PLOT PLAN DRAWING - W018S	BK-W018S-PEDCO-110-PI-PY-0001
ROUGH GRADING PLANS - W018S	BK-W018S-PEDCO-110-CV-DW-0001
FLOW LINE PLAN & PROFILE DRAWINGS - W018S	BK-W018S-PEDCO-110-SU-DW-0001

نقشه استاندارد برپایه استاندارد SSL-9002 به جدول زیر درج شده گردید.
احتراماً مرکز استاندارد ساینورت پروژه اضافه گردید.

KEY PLAN



REV.	DATE	DESCRIPTION	BY	DATE	BY	DATE
DOO	NOV.2022	IFC	M.NOORI	M.FAKHARIAN	M.MEHRSHAD	...
REV.	DATE	P.O.I.S	PREP.	CHK.	APP.	AUT.

PROJECT NAME: BINAK OILFIELD DEVELOPMENT/SUB-SURFACE WORK PACKAGES W018S WELLHEAD FACILITIES

PROJECT NO.: 971020

EPC CONTRACTOR: HIRGAN ENERGY - DESIGN & INSPECTION COMPANIES

GENERAL CONTRACTOR: PETROIRAN DEVELOPMENT COMPANY

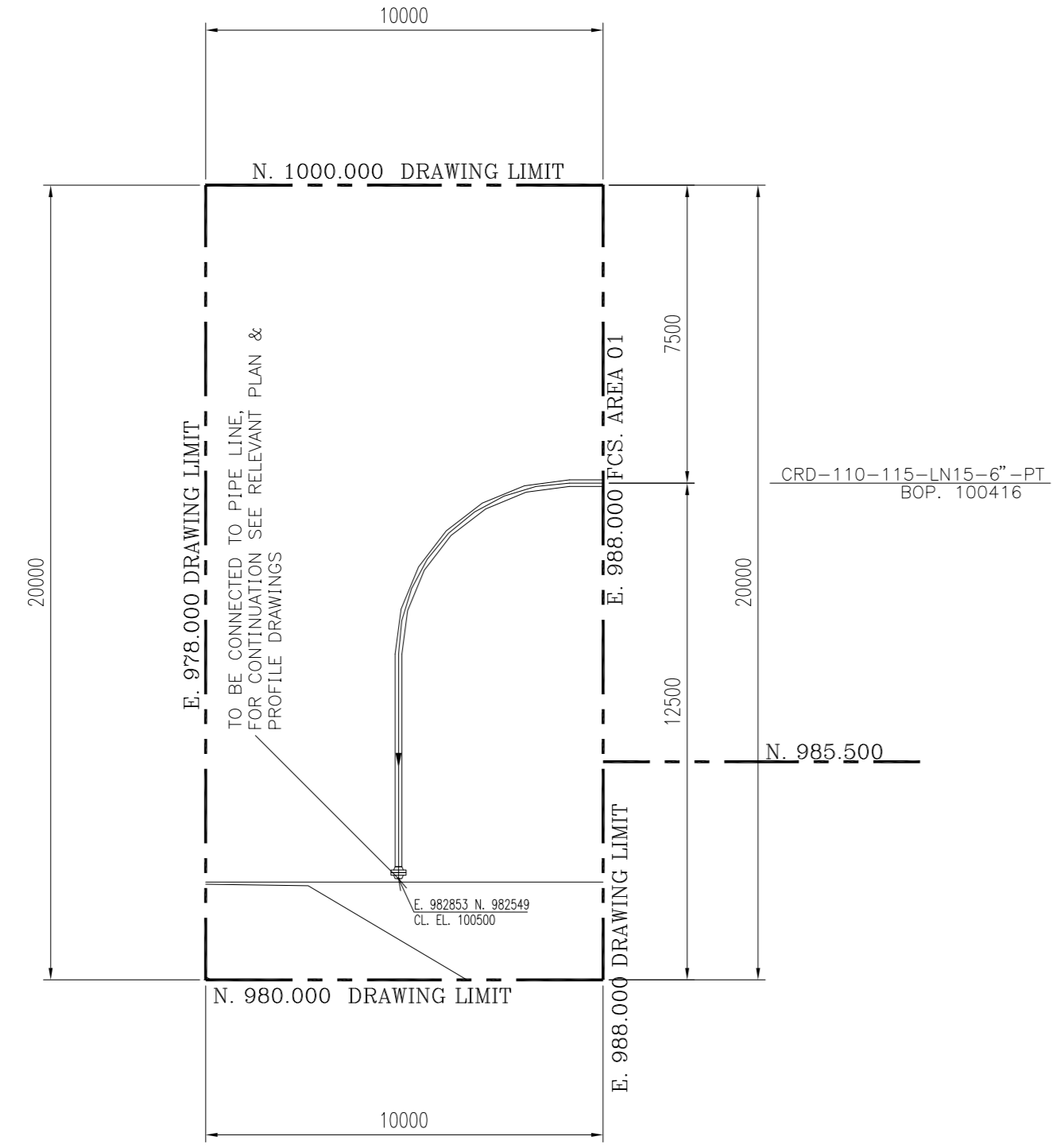
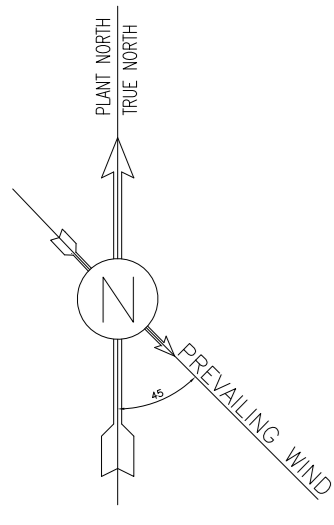
DRAWING TITLE: PIPING PLAN - W018S

SCALE	SIZE	DRAWING NO.	SHEET NO.	REV.	BUDGET REF.	LOCATION	SIZE	CLASS	SERIAL NO.	SHEET	REVISION
SC: 1/50	A0	BK-W018S-PEDCO-110-PI-PW-0001	2 OF 4	DOO	053-073-9184	F	4	L	707434	2 OF 4	DOO

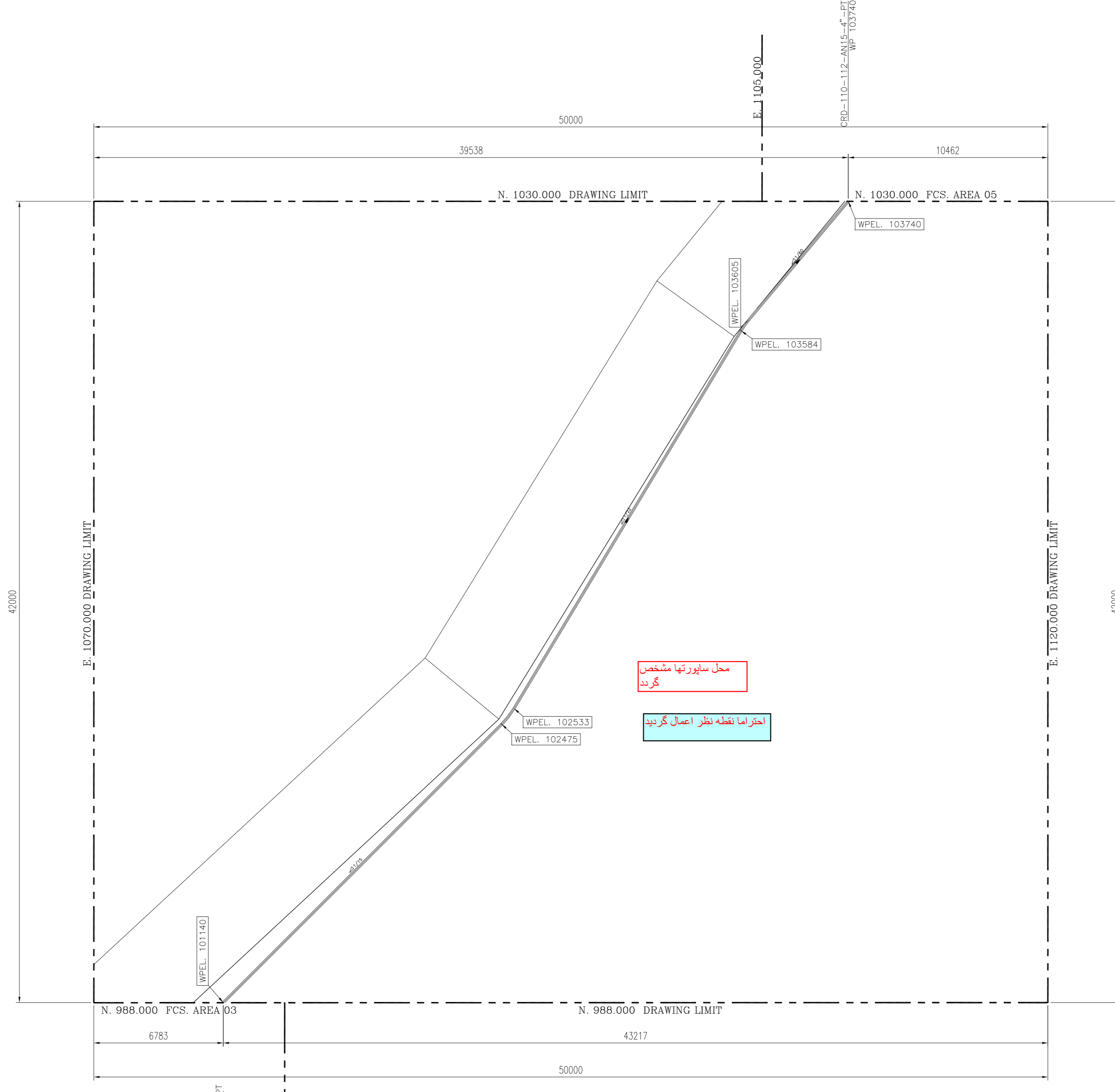
DATE	SCALE	DRAWING BY	CHECKED BY	PROJECT ENG.

NO CONSTRUCTION PERMITTED UNLESS DRAWING APPROVED

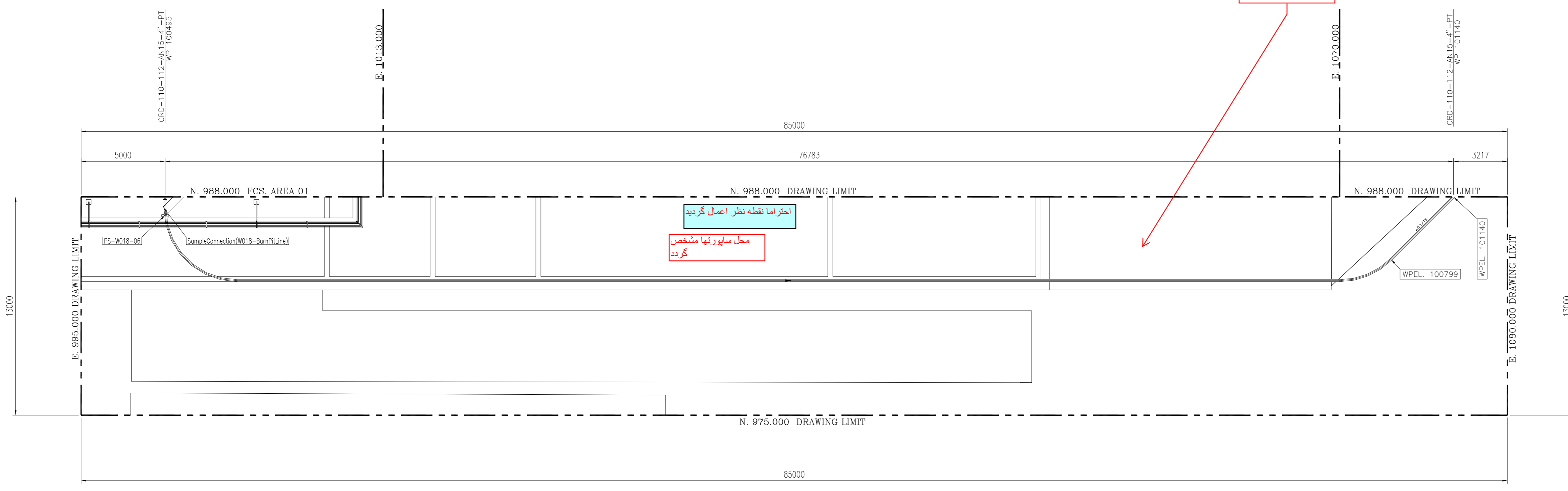
APPROVED FOR CONSTRUCTION	BY:	DATE:



AREA 02
EL. 92300 - EL. 104000 SC:1/150



AREA 04
EL. 92300 - EL. 104000 SC:1/150

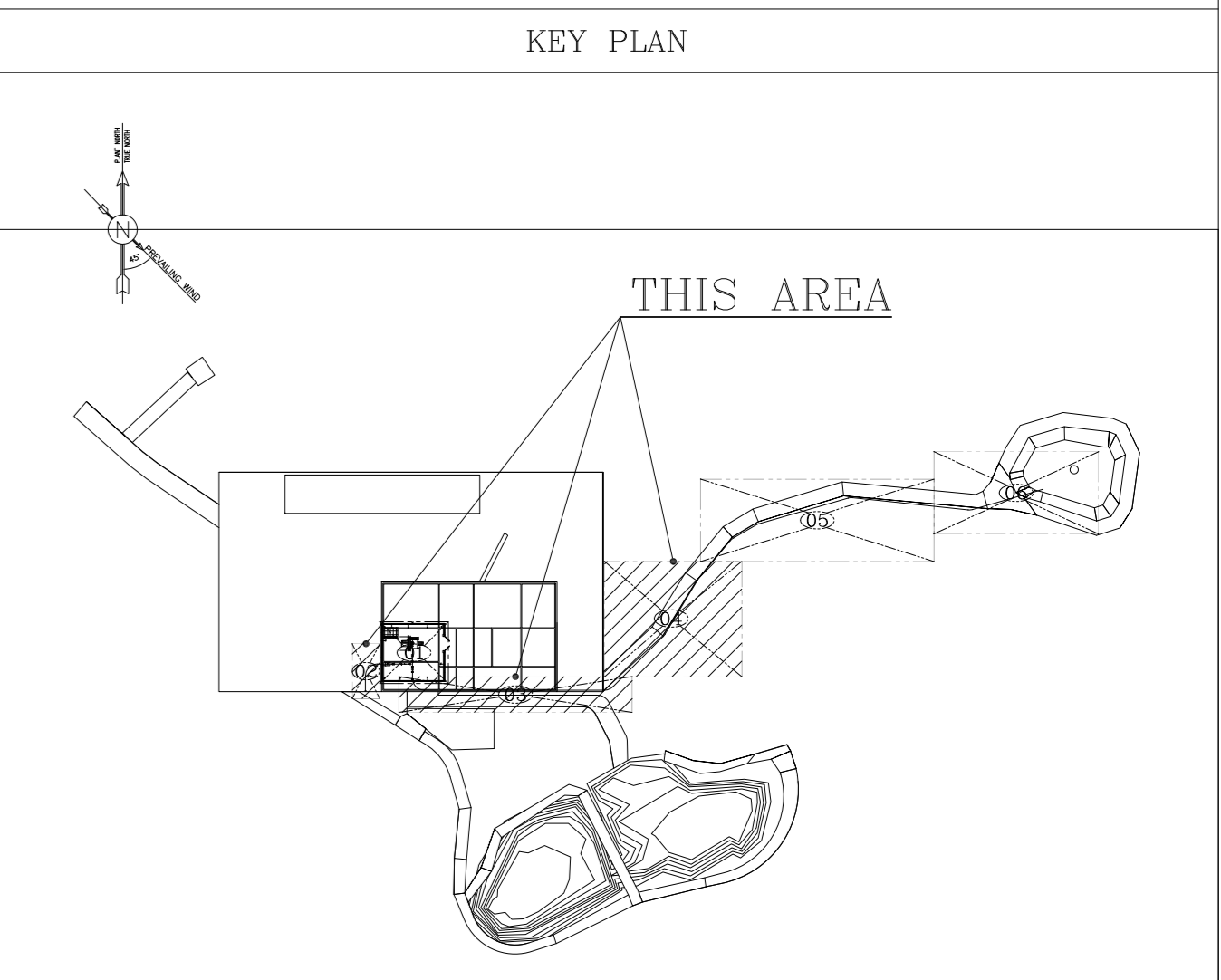


AREA 03
EL. 92300 - EL. 104000 SC:1/150

- NOTES**
- 1- ALL DIMENSIONS ARE IN MILLIMETERS, EXCEPT OTHERWISE NOTED.
 - 2- ALL COORDINATES AND ELEVATIONS ARE IN METERS.
 - 3- ALL COORDINATES OF THIS PLAN ARE LOCAL.
 - 4- H.P.P. 100.00m CORRESPONDING TO 34.26 M.S.L.
 - 5- SHOWED PIPING / PIPELINES AND RELEVANT SUPPORTS, ARE INDICATIVE.
 - 6- DIMENSIONS OF W.H.C.P. AND RELEVANT SHELTER WILL BE FINALIZED.
 - 7- REFERENCE COORDINATES E=1000.000 , N=1000.000 REFER TO X=437440.362 , Y=3291914.119 UTM.
 - 8- FOR DETAIL OF BURN PIT & ACCESS ROAD SEE BK-W018S-PEDCO-110-CV-PY-0002

- LEGEND & ABBREVIATIONS**
- WP WORKING POINT ELEVATION (CENTER OF PIPE ELEVATION)
 - PF PLATFORM
 - BOP BOTTOM OF PIPE ELEVATION
 - TOS TOP OF STEEL ELEVATION
 - FGL FINISH GRADE LEVEL
 - HPC HIGH POINT OF GRAVEL
 - HPP HIGH POINT OF PAVEMENT
 - MSL MEAN SEA LEVEL
 - SS STRUCTURE SUPPORT
 - PS PIPE SUPPORT
 - SPS SPECIAL PIPE SUPPORT
 - FCS FOR CONTINUE SEE
 - SLOPE
- H.P.P. HIGH POINT PAVING
W.H.C.P. WELL HEAD CONTROL PANEL
- FENCE
 - - - MATCH LINE
 - WELL LOCATION
 - SURFACE WATER TRENCH
 - ▨ GRATING

REFERENCE DRAWING	DRG. No.
GENERAL CIVIL LAYOUT - W018S	BK-W018S-PEDCO-110-CV-PY-0001
CIVIL AND STRUCTURAL DRAWINGS - W018S	BK-W018S-PEDCO-110-CV-PY-0002
PAID - W018S	BK-W018S-PEDCO-110-PR-PI-0001
PLOT PLAN DRAWING - W018S	BK-W018S-PEDCO-110-PI-PY-0001
ROUGH GRADING PLANS - W018S	BK-W018S-PEDCO-110-CV-DW-0001
FLOW LINE PLAN & PROFILE DRAWINGS - W018S	BK-W018S-PEDCO-110-SU-DW-0001



موقعیت اولیه ها با توجه به اینکه سوئیل کنترل و مسیر از درون جویوها و ... اصلاح شود

احتراما نقطه نظر اصلاح گردید

محل سائورتها مشخص کردن

احتراما نقطه نظر اصلاح گردید

REV.	DESCRIPTION	BY	DATE	BY	DATE
DOO	NOV.2022	IFC	M.NOORI	M.FAKHARIAN	M.MEHRSHAD
REV.	DATE	P.O.I.S	PREP.	CHK.	APP.

PROJECT NAME: BINAK OILFIELD DEVELOPMENT/SUB-SURFACE WORK PACKAGES W018S WELLHEAD FACILITIES

PROJECT NO.: 971020

EPC CONTRACTOR: HIRGAN ENERGY, TE

GENERAL CONTRACTOR: PETROIRAN DEVELOPMENT COMPANY, PEDCO

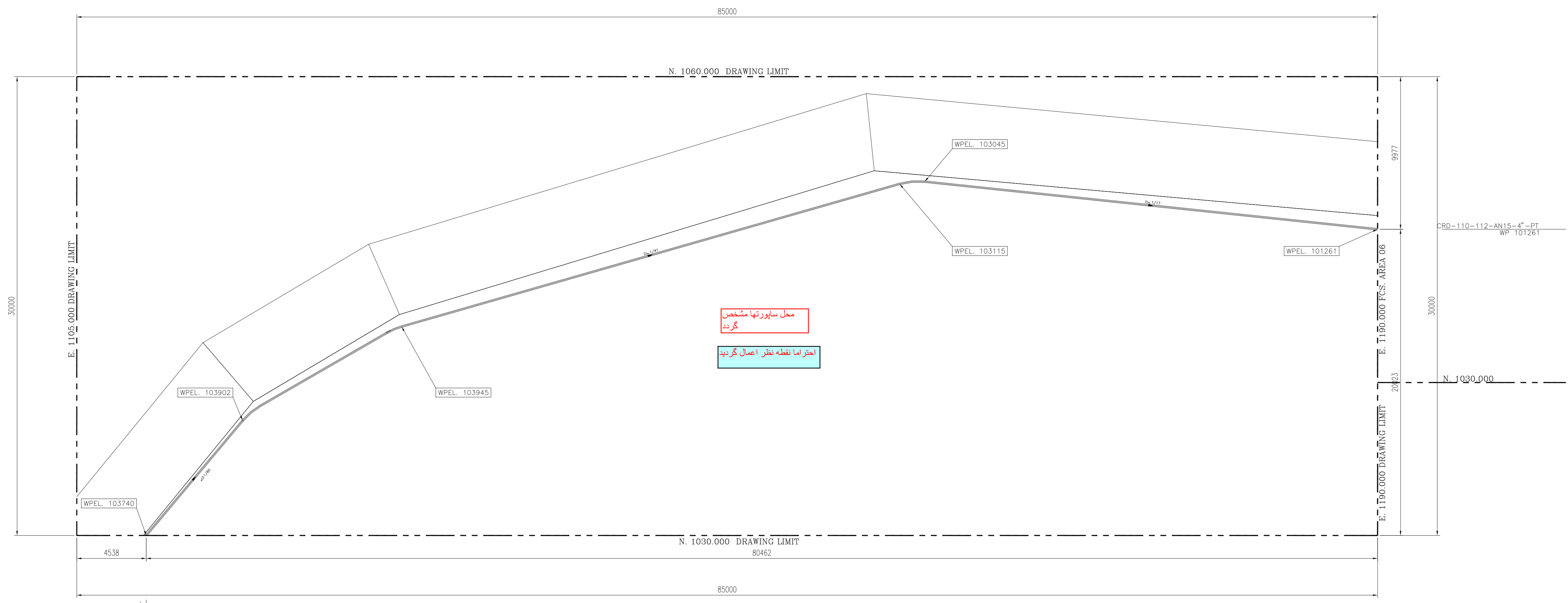
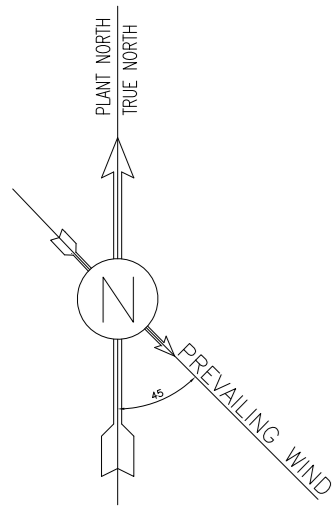
DRAWING TITLE: PIPING PLAN - W018S

SCALE	SIZE	DRAWING NO.	SHEET NO.	REV.	BUDGET REF.	LOCATION	SIZE	CLASS	SERIAL NO.	SHEET	REVISION
AS SHOWN	A0	BK-W018S-PEDCO-110-PI-PW-0001	3 OF 4	DOO	053-073-9184	F	4	L	707434	3 OF 4	DOO

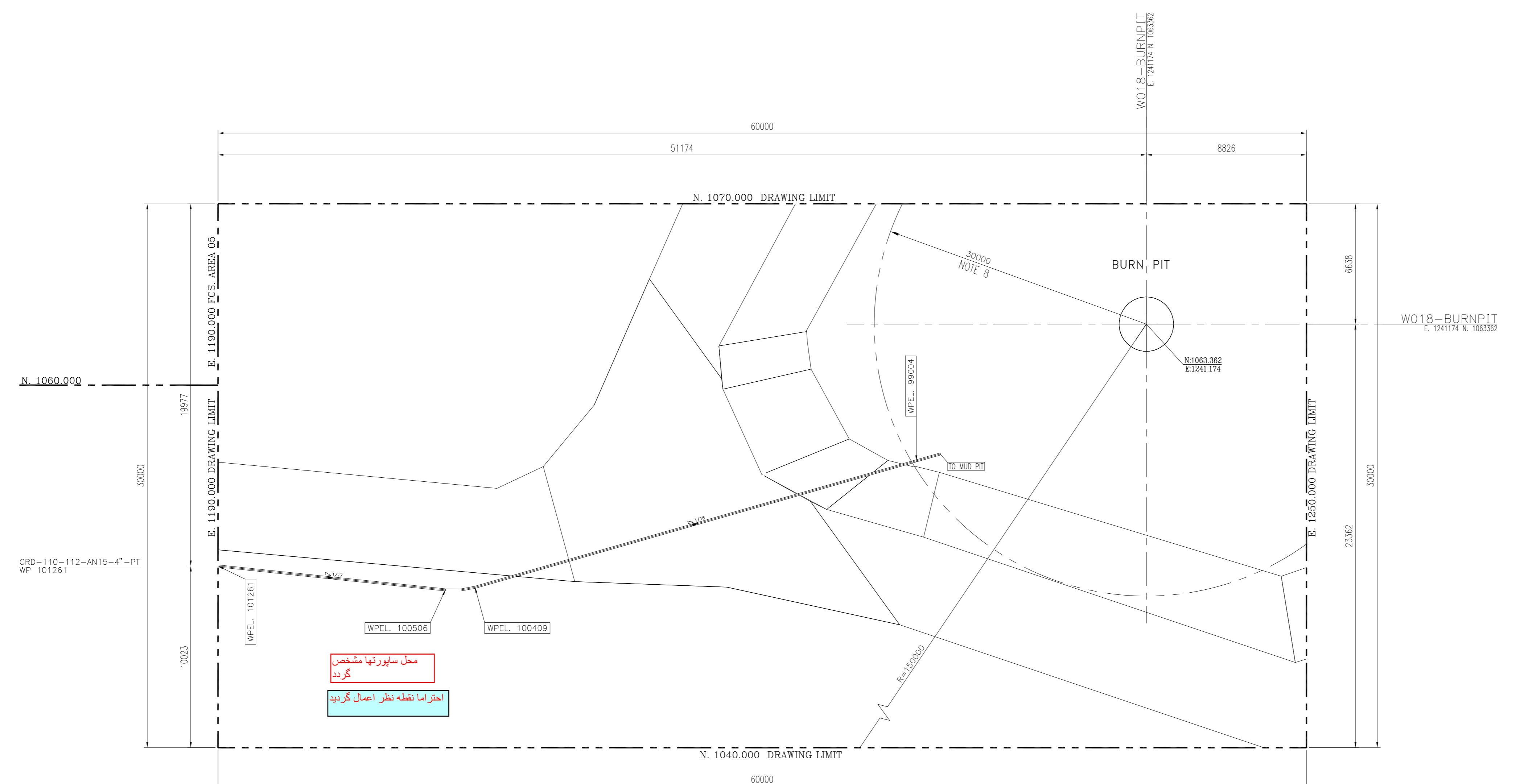
DATE	SCALE	DRAWING BY	CHECKED BY	PROJECT ENG.

NO CONSTRUCTION PERMITTED UNLESS DRAWING APPROVED

APPROVED FOR CONSTRUCTION	BY:	DATE:



AREA 05
EL. 92300 - EL. 104000 SC:1/150

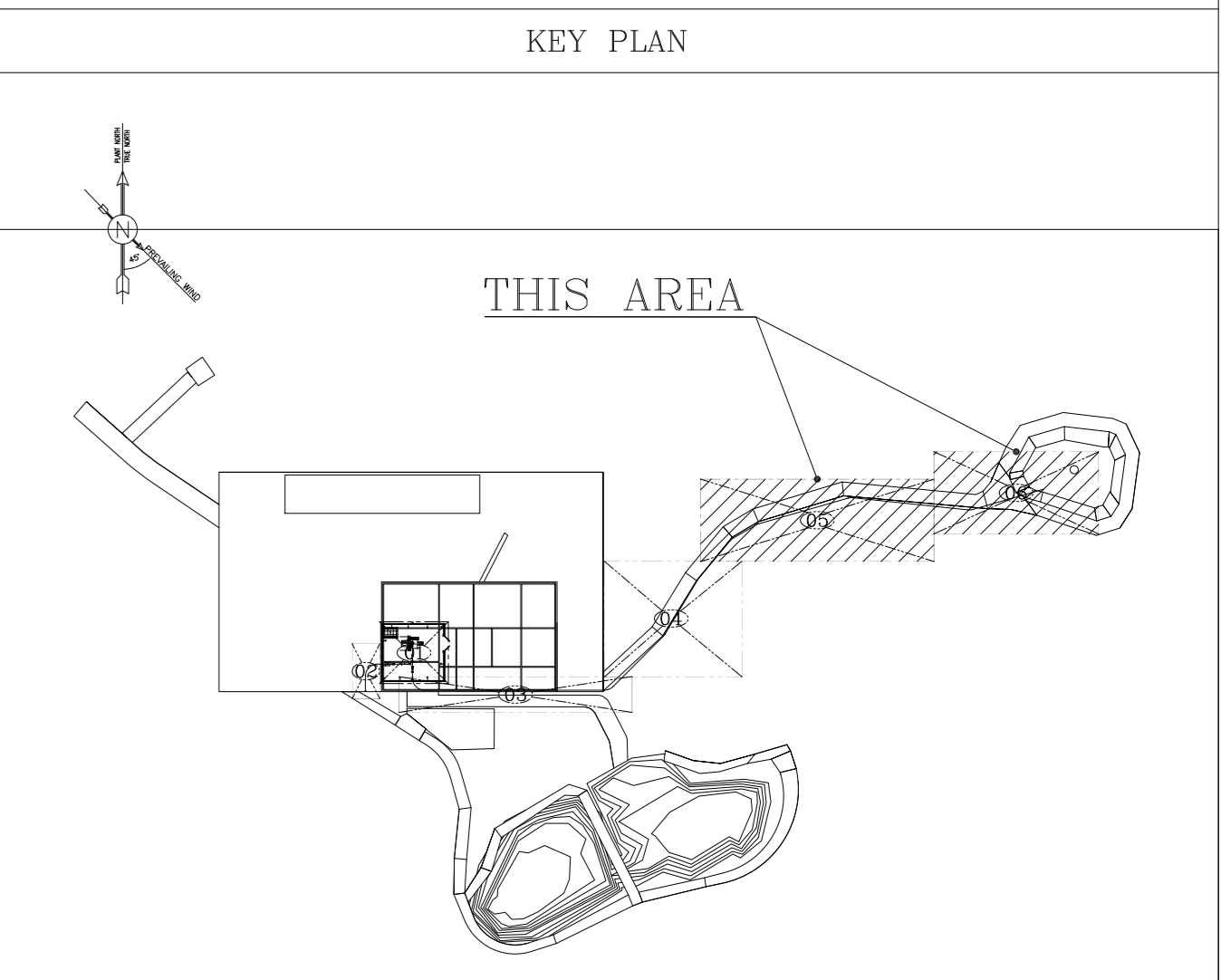


AREA 06
EL. 92300 - EL. 104000 SC:1/150

- NOTES**
- 1- ALL DIMENSIONS ARE IN MILLIMETERS, EXCEPT OTHERWISE NOTED.
 - 2- ALL COORDINATES AND ELEVATIONS ARE IN METERS.
 - 3- ALL COORDINATES OF THIS PLAN ARE LOCAL.
 - 4- H.P.P. 100.00m CORRESPONDING TO 34.26 M.S.L.
 - 5- SHOWED PIPING / PIPELINES AND RELEVANT SUPPORTS, ARE INDICATIVE.
 - 6- DIMENSIONS OF W.H.C.P. AND RELEVANT SHELTER WILL BE FINALIZED.
 - 7- REFERENCE COORDINATES E=1000.000 , N=1000.000 REFER TO X=437440.362 , Y=3291914.119 UTM.
 - 8- FOR DETAIL OF BURN PIT & ACCESS ROAD SEE BK-W018S-PEDCO-110-CV-PY-0002

- LEGEND & ABBREVIATIONS**
- WP WORKING POINT ELEVATION (CENTER OF PIPE ELEVATION)
 - PF PLATFORM
 - BOP BOTTOM OF PIPE ELEVATION
 - TOS TOP OF STEEL ELEVATION
 - FGL FINISH GRADE LEVEL
 - HPC HIGH POINT OF GRAVEL
 - HPP HIGH POINT OF PAVEMENT
 - MSL MEAN SEA LEVEL
 - SS STRUCTURE SUPPORT
 - PS PIPE SUPPORT
 - SPS SPECIAL PIPE SUPPORT
 - FCS FOR CONTINUE SEE
 - SLOPE
- H.P.P. HIGH POINT PAVING
W.H.C.P. WELL HEAD CONTROL PANEL
- FENCE
 - MATCH LINE
 - WELL LOCATION
 - SURFACE WATER TRENCH
 - GRATING

REFERENCE DRAWING	DRG. No.
GENERAL CIVIL LAYOUT - W018S	BK-W018S-PEDCO-110-CV-PY-0001
CIVIL AND STRUCTURAL DRAWINGS - W018S	BK-W018S-PEDCO-110-CV-PY-0002
PAID - W018S	BK-W018S-PEDCO-110-PR-PI-0001
PLOT PLAN DRAWING - W018S	BK-W018S-PEDCO-110-PI-PY-0001
ROUGH GRADING PLANS -W018S	BK-W018S-PEDCO-110-CV-DW-0001
FLOW LINE PLAN & PROFILE DRAWINGS - W018S	BK-W018S-PEDCO-110-SU-DW-0001



REV.	DATE	DESCRIPTION	BY	DATE	BY	DATE
D00	NOV.2022	IFC	M.NOORI	M.FAKHRIAN	M.MEHRSHAD	***
REV.	DATE	P.O.I.S	PREP.	CHK.	APP.	AUT.

PROJECT NAME: BINAK OILFIELD DEVELOPMENT/SUB-SURFACE WORK PACKAGES W018S WELLHEAD FACILITIES

PROJECT NO.: 971020

EPC CONTRACTOR: HIRGAN ENERGY, TE

GENERAL CONTRACTOR: PETROIRAN DEVELOPMENT COMPANY, PEDCO

DRAWING TITLE: PIPING PLAN - W018S

SCALE	SIZE	DRAWING NO.	SHEET NO.	REV.	BUDGET REF.	LOCATION	SIZE	CLASS	SERIAL NO.	SHEET	REVISION
AS SHOWN	A0	BK-W018S-PEDCO-110-PI-PW-0001	4 OF 4	D00	053-073-9184	F	4	L	707434	4 OF 4	D00

اصول و کلیه نسخ این نقشه و حق اقتباس متعلق به شرکت ملی مناطق نفت خیز جنوب می باشد.

THE ORIGINAL AND ALL COPIES OF THIS DRAWING TOGETHER WITH THE COPYRIGHT THEREIN ARE THE SOLE PROPERTY OF N.I.S.O.C./ FIELDS

BINAK OILFIELD DEVELOPMENT SUB-SURFACE WORK PACKAGES W018S WELLHEAD FACILITIES

DATE	SCALE	DRAWING BY	CHECKED BY	PROJECT ENG.

NO CONSTRUCTION PERMITTED UNLESS DRAWING APPROVED

APPROVED FOR CONSTRUCTION BY: DATE: